

---

# VACUUM SEAL DRAWER INSTALLATION GUIDE

---

Components required	3
Accessing your product specifications	4
Unpack product	6
Install the air filter	7
Remove the transit screws	8
Install anti-tip bracket	9
Position in cavity	10
Fit drawer panel	11
Adjust drawer	13
Secure to cavity	14
Checklist	15

**INTEGRATED**

VB30SDEI3

# COMPONENTS REQUIRED

---

## TOOLS

### Not supplied

- T20 star-head screwdriver
- 3/16" (5mm) Hex key
- Flat-head screwdriver
- Pliers
- Shims

---

## PARTS

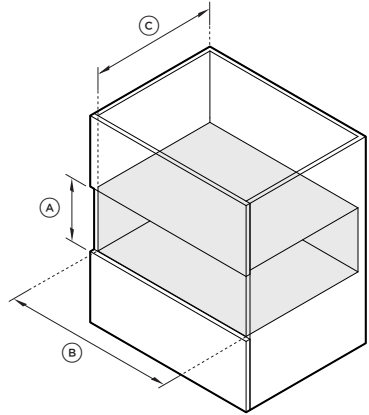
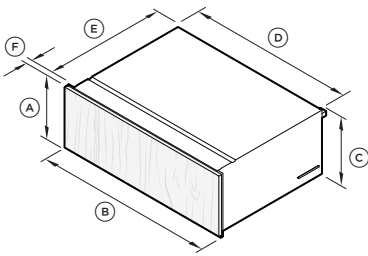
### Supplied

- Power cords (1)
- T20 4x20 countersunk screws (4)
- T20 4x15 screws (4)
- T20 4x12 panel screws (6)
- Anti-tip bracket (2)
- External vacuuming accessory kit
  - Suction inlet adapter (1)
  - Tube (1)
  - Vacuum stopper (1)
  - Stopper adapter (1)

# ACCESSING YOUR PRODUCT SPECIFICATIONS



For full product, cabinetry and service specifications, refer to the Planning Guide. To access the Planning Guide, scan the QR code or visit [fisherpaykel.com/specify](http://fisherpaykel.com/specify). Search by appliance type, product name or model code.



<b>PRODUCT DIMENSIONS</b>	inch	mm
(A) Overall height	10 11/16	271
(B) Overall width	29 7/8	758
(C) Chassis height	10 11/16	271
(D) Chassis width	28 1/2*	724*
(E) Chassis depth	21 11/16	551
(F) Front panel thickness	min 5/8	min 16

\*Including side brackets

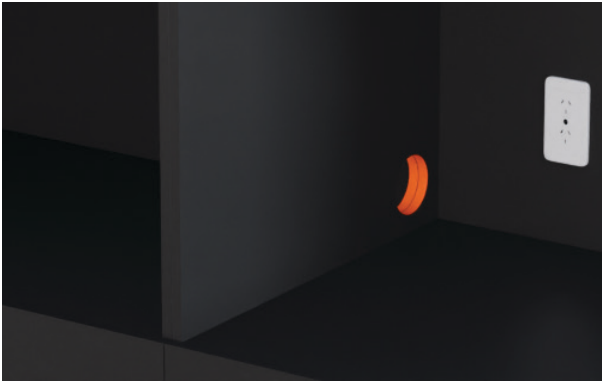
<b>CAVITY DIMENSIONS</b>	inch	mm
(A) Minimum inside height of cavity	10 3/4	273
(B) Minimum inside width of cavity	28 1/2	724
(C) Minimum inside depth of cavity	22 13/16	580
Recommended cabinet height	10 3/4	273
Recommended cabinet width	30	762

## PRIOR TO INSTALLATION



[fisherpaykel.com/specify](https://fisherpaykel.com/specify)

1. Refer to the Planning Guide for cabinetry, cavity, panel and service specifications.



2. Ensure the cabinet meets the minimum cavity specifications required.

The cabinet must be level and square to prevent the need for product adjustments such as shimming.

## UNPACK PRODUCT



1. Carefully remove the warming drawer and accessories box from the packaging.



2. Dispose of packaging responsibly.

## INSTALL THE AIR FILTER



1. Using pliers, remove the locking cap and insert into the holder.



2. Using a flat-headed screwdriver, fit the air filter.



3. Slide the air filter cover over the air filter opening.

## REMOVE THE TRANSIT SCREWS

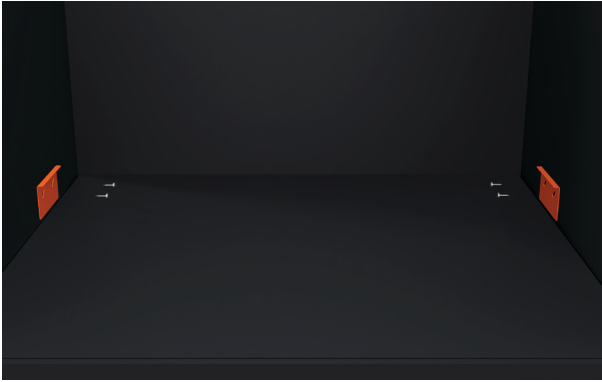


1. Unscrew the transport screws from under the power cable and holder

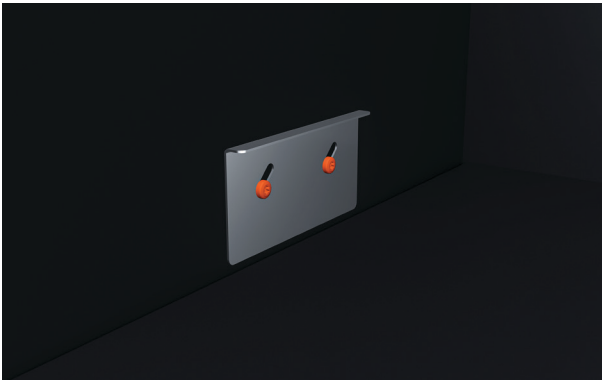
## INSTALL ANTI-TIP BRACKET

The anti-tip brackets prevent the drawer from tipping over when opening the drawer.

**Do not open the drawer if the anti-tip brackets are not installed.**



1. Position the anti-tip brackets on both sides of the cabinetry. Brackets should be located flush to the base of the cabinet and 15 11/16" (399mm) from the front of the cabinet.



2. Secure the anti-tip brackets using the supplied screws.

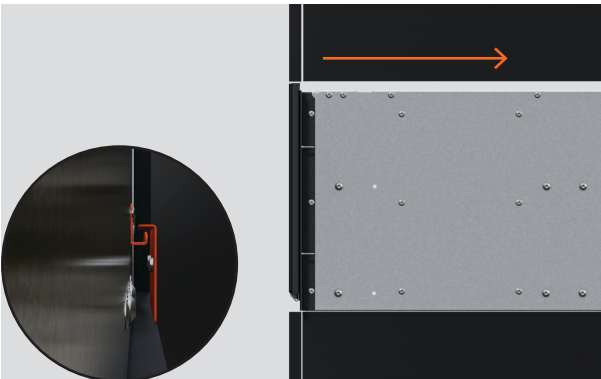
## POSITION IN CAVITY



1. Connect the power cable to the power supply.



2. Apply protective tape to adjacent cabinetry panels before lifting product into place.



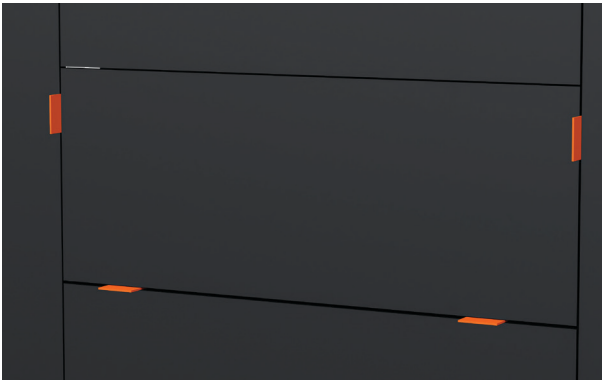
3. Carefully push the vacuum drawer into the cabinetry. Ensure the side brackets engage with the anti-tip brackets

## FIT DRAWER PANEL



**1.** Remove the adhesive backing from the door brackets. Bend brackets further to extend if required.

Carefully align the custom panel to the product and press into place.

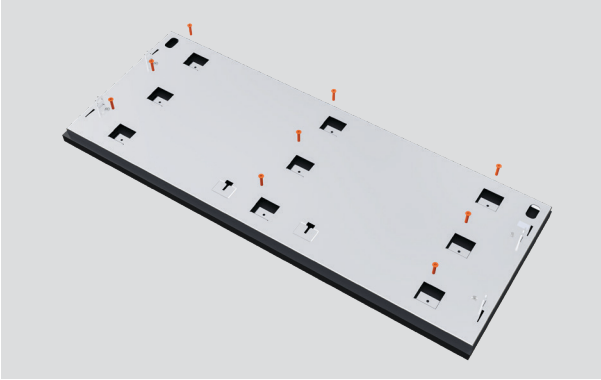


**2.** Using shims if required, adjust the custom panel to achieve even gaps. Press the panel onto the tape to hold it in position.



**3.** Fully open the drawer and remove the two T20 screws from both sides of the frame. Slide the door frame upward and lift it off the drawer.

## FIT DRAWER PANEL



4. Drill pilot holes through the door frame into the custom panel. Do not drill through the panel.

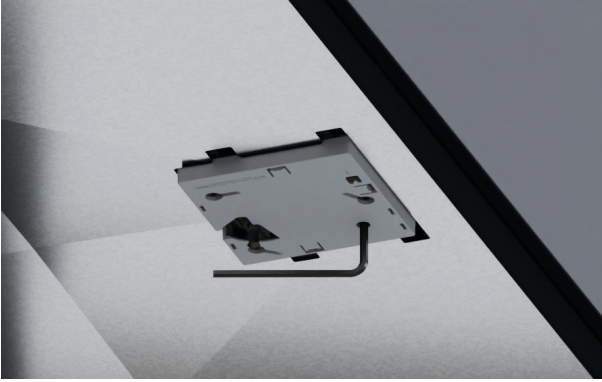
Secure the panel to the door using six T20 wood screws.



5. Fit the panel from the bottom first, pushing it in and then down.

Secure the panel to the door using two T20 wood screws on each side.

## ADJUST DRAWER



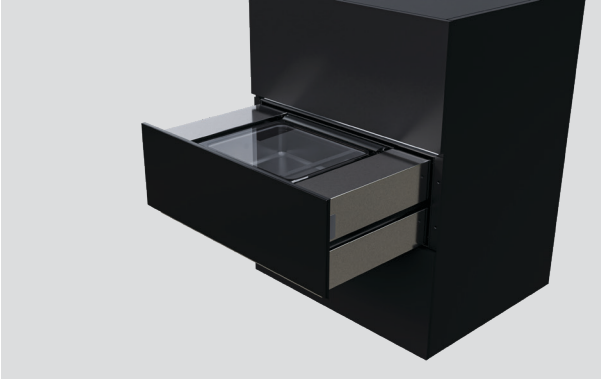
### 1. Adjust depth:

Open the drawer fully.

Use a hex key to adjust the front panel position by up to 3/16" (4 mm).

Turn clockwise to move the panel back, or counter-clockwise to move it forward.

## SECURE TO CAVITY



**2.** Open the drawer and extend fully.



**3.** Secure the drawer to the cabinetry using 4x20 T20 star head countersunk screws.



**4.** Close the drawer to check alignment and readjust if needed.

# CHECKLIST

## Installation checks

- All clearances are correct.
- The product is level and securely fitted in the cabinetry.
- All internal packaging is removed.
- The isolating switch can be easily reached.

## Test operation

- Open the drawer.
- Press the power button to turn it on.
- Press the power button to turn it off before closing the drawer.

## Complete and keep for safe reference:

Model \_\_\_\_\_

Serial no. \_\_\_\_\_

Purchase date \_\_\_\_\_

Purchaser \_\_\_\_\_

Dealer address \_\_\_\_\_

Installer's name \_\_\_\_\_

Installer's signature \_\_\_\_\_

Installation company \_\_\_\_\_

Installation date \_\_\_\_\_

