
WARMING DRAWER INSTALLATION CONSIDERATIONS

Accessing your product specifications	3
Electrical connection	5
CONSIDÉRATIONS RELATIVES À L'INSTALLATION FR	6
CONSIDERACIONES DE INSTALACIÓN SP	12

FISHER & PAYKEL

US CA

MINIMAL

WB24SMG3, WB24SMB3

CONTEMPORARY

WB24SCX3

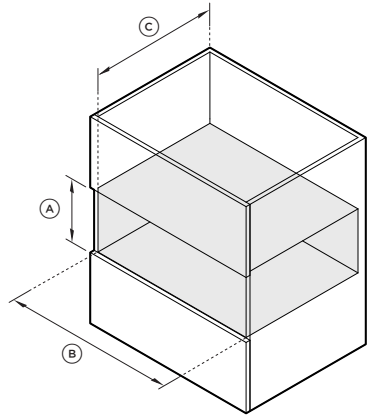
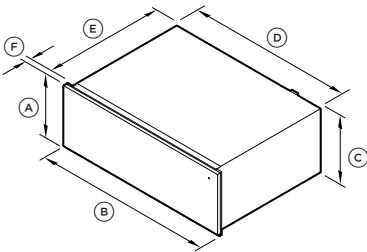
ACCESSING YOUR PRODUCT SPECIFICATIONS



For full product, cabinetry and service specifications, refer to the Planning Guide. To access the Planning Guide, scan the QR code or visit fisherpaykel.com/specify. Search by appliance type, product name or model code.

MINIMAL

WB24SMG3, WB24SMB3



PRODUCT DIMENSIONS	inch	mm
(A) Overall height	5 1/2	140
(B) Overall width	23 7/16	596
(C) Chassis height	5 1/2	140
(D) Chassis width	21 3/8	543
(E) Chassis depth*	21 9/17*	547*
(F) Front panel thickness	13/16	20
Front panel height	5 3/8	136
Front panel width	23 7/16	596

*Including power plug

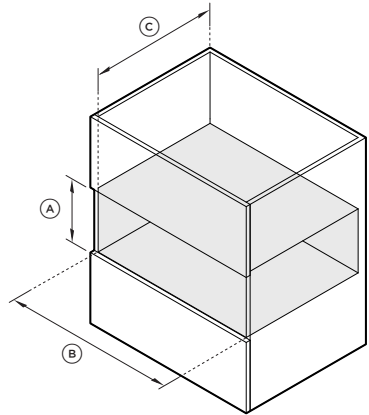
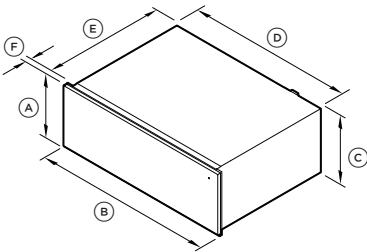
CAVITY DIMENSIONS	inch	mm
(A) Minimum inside height of cavity	5 9/16	273
(B) Minimum inside width of cavity	22 1/16	724
(C) Minimum inside depth of cavity	21 5/8	580
Recommended cabinet height	5 11/16	273
Recommended cabinet width	23 5/8	762

ACCESSING YOUR PRODUCT SPECIFICATIONS



For full product, cabinetry and service specifications, refer to the Planning Guide. To access the Planning Guide, scan the QR code or visit fisherpaykel.com/specify. Search by appliance type, product name or model code.

CONTEMPORARY WB24SCX3



PRODUCT DIMENSIONS	inch	mm
(A) Overall height	5 1/2	140
(B) Overall width	23 7/16	596
(C) Chassis height	5 1/2	140
(D) Chassis width	21 3/8	543
(E) Chassis depth*	21 9/17*	547*
(F) Front panel thickness	13/16	20
Front panel height	5 3/8	136
Front panel width	23 7/16	596

*Including power plug

CAVITY DIMENSIONS	inch	mm
(A) Minimum inside height of cavity	5 9/16	273
(B) Minimum inside width of cavity	22 1/16	724
(C) Minimum inside depth of cavity	21 5/8	580
Recommended cabinet height	5 11/16	273
Recommended cabinet width	23 5/8	762

ELECTRICAL CONNECTION

SPECIFICATIONS	WB24 MODELS
SERVICE (A)	15
SUPPLY (Hz)	60
VOLTAGE (V)	120V

