



User manual
Washing machine

HWF12DW1
HWF12DB1
HWF10DW2
HWF10DB2

NZ AU

Haier

Thank you for purchasing a Haier Product.

Please read these instructions carefully before using this appliance. The instructions contain important information which will help you get the best out of the appliance and ensure safe and proper installation, use and maintenance.

Keep this manual in a convenient place so you can always refer to it for the safe and proper use of the appliance.

If you sell the appliance, give it away, or leave it behind when you move house, make sure you also pass this manual so that the new owner can get familiar with the appliance and safety warnings.



Legend

Warning-Important Safety information



General information and tips



Environmental information



Disposal

Help protect the environment and human health. Put the packaging in applicable containers to recycle it. Help to recycle waste of electrical and electronic appliances. Do not dispose appliances marked with this symbol with the household waste. Return the product to your local recycling facility or contact your municipal office.



WARNING!

Risk of injury or suffocation!

Disconnect the appliance from the mains supply. Cut off the mains cable and dispose of it. Remove the door catch to prevent children and pets from getting trapped in the appliance.

1- Safety information.....	4
2-Product description.....	7
3-Control panel.....	8
4-Cycles.....	15
5-Consumption.....	16
6-Daily use.....	17
7-App usage instructions.....	22
8-Eco-friendly washing.....	23
9-Care and cleaning.....	24
10-Troubleshooting.....	27
11-Installation.....	31
12-Technical data.....	35
13-Customer service.....	37

Before switching on the appliance for the first time, read the following safety hints!



WARNING!

Before first use

- ▶ Do not operate this machine if it has been damaged during transport.
Contact your dealer or Haier service technician.
- ▶ Ensure all transport bolts are removed before running the appliance.
Failure to do so might end in damage to the appliance.
- ▶ Remove all packaging and keep out of reach of children.
- ▶ This appliance is heavy, we recommend 2 people to move and install the appliance.
- ▶ This product has been designed for personal, family or household use.
This product is not designed for any commercial use. Any commercial use will terminate this product's manufacturer's warranty.

Daily use

- ▶ This appliance is not intended for use by persons (including children) with reduced physical, sensory or mental capabilities, or lack of experience and knowledge, unless they are supervised or given instructions on how to use it by someone responsible for their safety.
- ▶ Supervise children to ensure they do not play with the appliance or climb inside the drum.
- ▶ Do not swing on or put weight on the door.
- ▶ The appliance should only be used for garments recommended for machine washing. Always follow the advice on the care label.
- ▶ Do not touch or operate the machine with wet hands or with bare feet.
- ▶ Do not place dripping wet clothing in or on top of the appliance as it may create an electrical hazard.
- ▶ Do not use the appliance if industrial chemicals (e.g. solvents) have been used on the clothes.
- ▶ Remove all items such as lighters and matches from pockets.
- ▶ Pull up zips, fix loose threads and protect embellishments to prevent garments from being damaged and entangled.
- ▶ Garments that contain metal reinforcements should not be placed in the appliance. If necessary, use an appropriate laundry bag or net.

**WARNING!**

Daily use

- ▶ The appliance might get hot during operation, use caution if in close proximity.
- ▶ Unplug the appliance before undertaking maintenance. Hold the plug (not the cable) when unplugging the machine.
- ▶ Ensure there are no undesirable objects inside the drum before starting a cycle.
- ▶ Ensure that the ambient temperature is between 5°C and 35°C before using the appliance.

Capacity

- ▶ Do not overload the appliance beyond its rated capacity.
- ▶ **MAXIMUM WASH CAPACITY:** HWF10D: 10Kg; HWF12D: 12Kg.
- ▶ Capacity refers to the maximum wash weight of items the appliance can wash each time.

Washer Information

- ▶ Do not open the detergent dispenser drawer during a cycle.
- ▶ If a high wash temperature is selected, the door glass will become hot. Do not touch the surface and keep children away from the appliance.
- ▶ Do not add petrol, dry-cleaning solvents, perfumes or other flammable or explosive substances to the wash water. These substances give off vapours that could ignite or explode.
- ▶ Do not wash articles that have been previously cleaned in, washed in, soaked in, or spotted with gasoline, dry-cleaning solvents, or other flammable or explosive substances as they give off vapours that could ignite or explode.
- ▶ Do not wash an electric blanket in your washer unless the care label specifically states it is safe to do so.
- ▶ Fabric softeners, or similar products, should be used as specified by the manufacturer instructions.



WARNING!

Maintenance, Cleaning and Disposal

- ▶ Keep the gasket, dispenser and door clean to prevent odours.
- ▶ Do not use water spray or steam to clean the appliance.
- ▶ A damaged electrical cable must be replaced by a Haier service technician or similarly qualified person. Do not use the appliance until it has been repaired to avoid a risk of electric shock.
- ▶ When disposing of the appliance, it is recommended that the door is removed to avoid children getting trapped inside, and that the electrical cable is cut off close to the machine.
- ▶ Unless the product is modified by an certified technician, any changes might result in loss of warranty.

Intended use

This appliance is intended for washing machine-washable laundry only. Please follow the instructions on the label of each garment. It is designed exclusively for domestic use inside the house. It is not intended for commercial or industrial use.

Changes or modifications to the device are not allowed. Unintended use may cause hazards and loss of all warranty and liability claims.



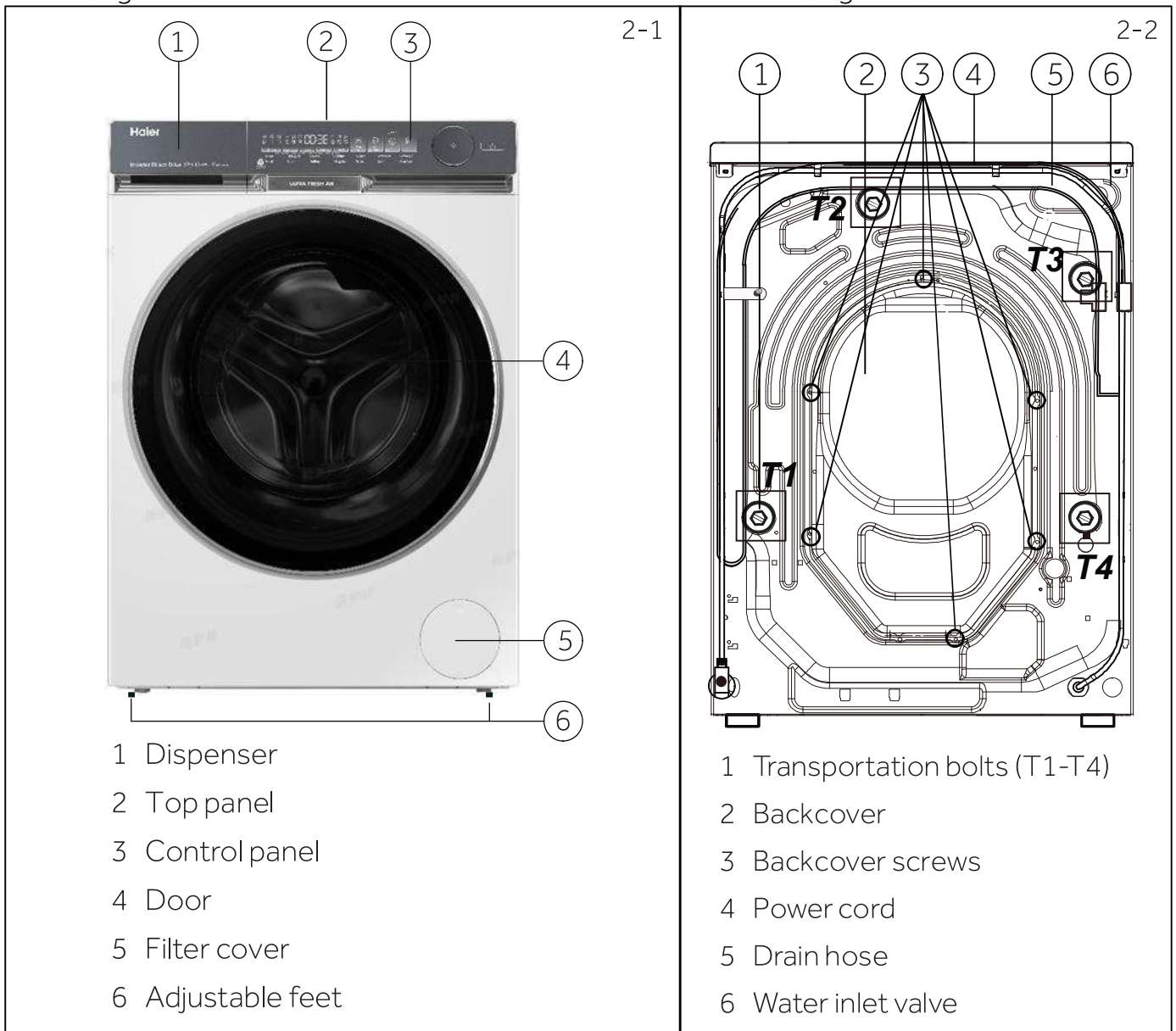
Note:

Due to technical changes and different models, the illustrations in the following chapters may differ from your model.

2.1 Picture of appliance

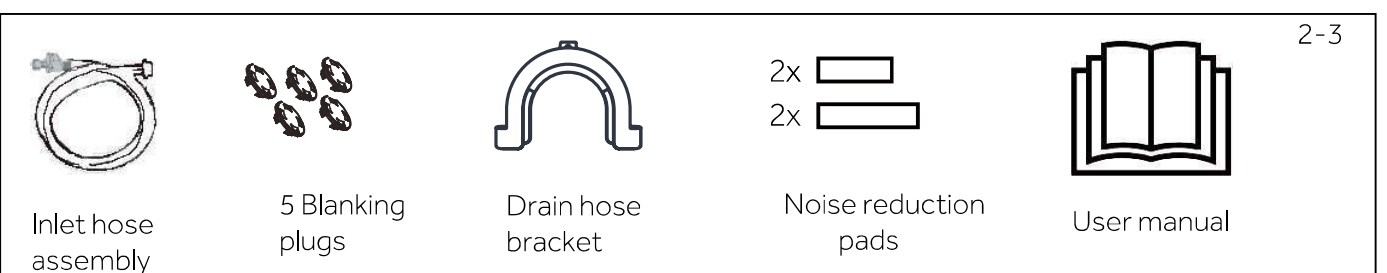
Front (Fig. 2-1):

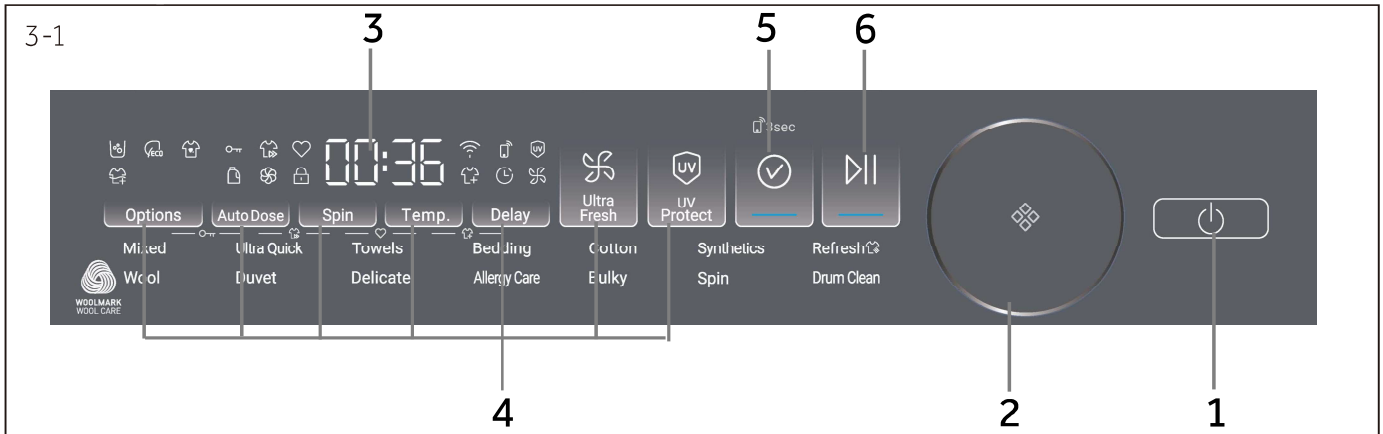
Rear side (Fig. 2-2):



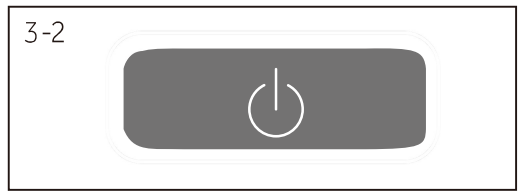
2.2 Accessories

Check the accessories and literature in accordance with this list (Fig. 2-3):






- 1 "Power" button
- 2 Dial
- 3 Display
- 4 Function buttons
- 5 "Confirm" button
- 6 "Start/Pause" button



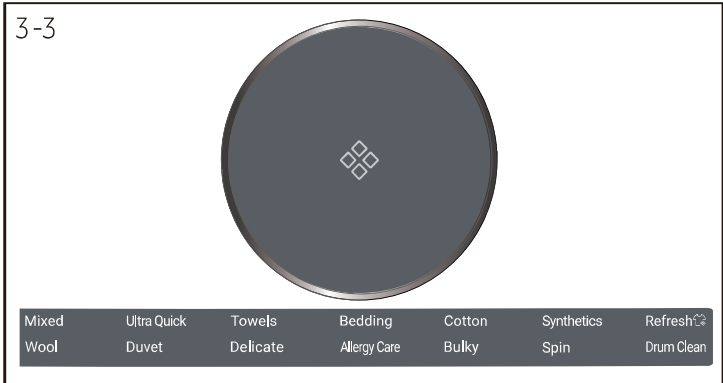
3.1 "Power" button

Long press the button (Fig. 3-2) to turn on or turn off the machine. When the machine is turned on, the Confirm button will start flashing. When the machine is turned off, long press the Power button for 5

seconds, "APP" will be displayed on the screen, and the  icon will start flashing, it means the machine has activated Wifi provisioning mode.

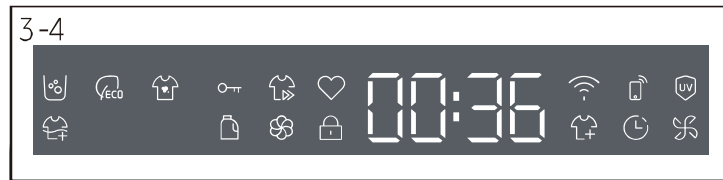
Note: Power off

Without Wi-Fi connection, the switched-on appliance automatically powers off if it is not activated within 2 minutes after the product is powered on or after the cycle is finished. With Wi-Fi connection, the waiting time duration is 24h.



3.2 Dial

Turn the dial (Fig. 3-3) to select a cycle. The cycle will be flashing when selected, and its default settings will also light up.



3.3 Display

The display (Fig. 3-4) will show important information about the cycle: Options and modifiers, remaining time, error codes and service information, warnings and notifications.

Symbol	Meaning
	Appliance is connected to WiFi.
	Softener is set to AUTO.
	Detergent is set to AUTO.
	Speed Up.
	Favourite.
	Remote.
	Control panel is locked.
	Drum door is locked.
	ECO mode.
	UV Sanitise.
	Delay Start
	Add clothes
	Add soak
	Add rinse
	Stains
	Ultra Fresh

3.4 Function buttons



After selecting a cycle, users can also select different functions based on their needs by pressing on the function buttons (Fig. 3-5).

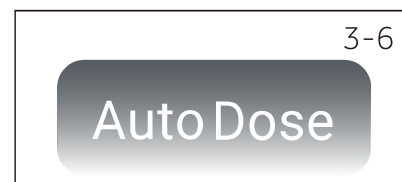


Note: Default settings



To get best results in each cycle, Haier has well defined specific default settings. If there is no special requirement, default settings are recommended.

3.4.1 Function button "Auto Dose"

Touch this button (Fig.3-6), the icon will light up and the function will be activated. Users can adjust its setting as necessary.

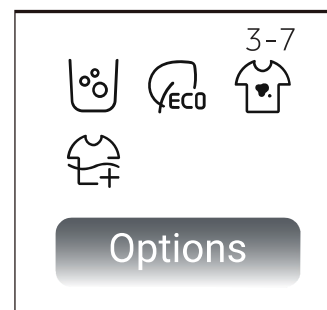


Touch the button to cycle between "D-ON / S-OFF" "D-ON / S-ON" "D-OFF / S-ON" "D-OFF / S-OFF".

Press the button for 3 seconds, the detergent indicator  will be flashing, then users can select preferred amount of detergent by pressing this button, 1 second after users select the amount, the setting for detergent will be saved.  will be flashing, then users can select preferred amount of softener by pressing this button, 1 second after users select the amount, the setting for softener will be saved.

3.4.2 Function button "Options"

Press this button (Fig. 3-7) to select among "Add Soak" "Add Rinse" "ECO mode" "Stains". Different cycles have different optional functions, when users select a cycle, its optional function icons will become semi-bright, then users can select its preferred function and its corresponding icon will become full bright.



Add Soak: Add a 60 minutes soak time during the wash stage.

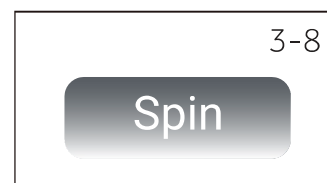
Add Rinse: Add 1 more rinse after wash stage.

ECO mode: To achieve best use of energy, water, detergent and time.


Stains: Help to better remove oil stains.

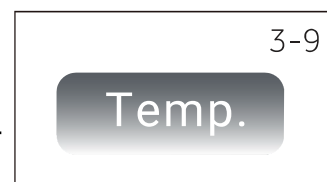
3.4.3 Function buttons " Spin"

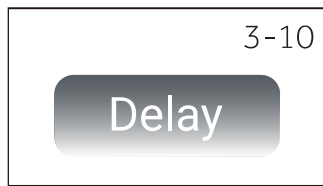
Press this button (Fig. 3-8) to select the spin speed (0, 400,600, 800, 1000, 1200, 1400).



3.4.4 Function button " Temp."

Press this button (Fig. 3-9) to select the washing temperature. If the screen displays "-- ", it means the water will not be heated.

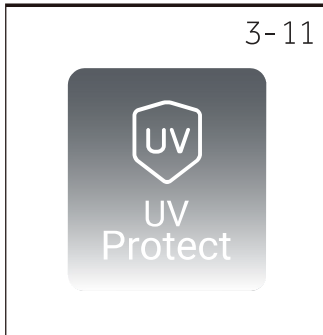




3-10

3.4.5 Function button " Delay "

Press this button (Fig. 3-10) to start the delay function from 1h to 12 hour (with an 1-hour increment). Then press the "Confirm" button to activate the function. It is not available on Spin, Refresh, Drum Clean cycles.



3-11

3.4.6 Function button " UV Protect "

Use the button (Fig.3-11)to turn On and OFF the UV sanitise function during wash and rinse.


This function can reduce germs and microorganisms in the water, and so to guarantee a cleaner wash.



3-12

3.4.7 Function button "Ultra Fresh"

Use the button (Fig.3-12)to turn On and OFF the Ultra Fresh function.

When the function is activated, the icon  will light up, it will start to work after the end of the wash cycle. Air will be blown into the drum by the fan from behind, freshen the garments, dry the gasket and other parts, help to prevent the growth of mould, bacteria and bad odors inside the drum. Air will flow out from the front bottom of the control panel, it will last up to 12 hours till users stop it.

This function is not available on Refresh, Wool, Delicate, Drum Clean cycles.



3-13

3.4.8 Function button " Confirm "

In order to start the cycle, users need to press the "Confirm" button (Fig. 3-13) first, then press the "Start/Pause" button. When the product is connected to the Wi-fi, users can press the "Confirm" button for 3 seconds to activate the Remote mode, then users can control the product through the app.




3-14

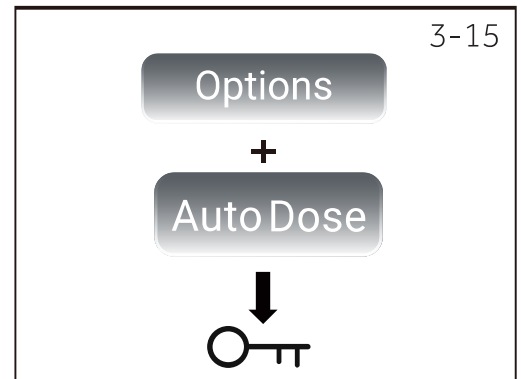
3.4.9 Function button " Start/Pause "

Press this button (Fig. 3-14) to start or pause the current selected cycle.

3.5 Other function buttons

3.5.1 Key lock


During the cycle, press the "Options" and "Auto Dose" buttons simultaneously for 3 seconds to activate the Key Lock function. The screen will display the icon . Then if the users press any button, the screen will display **CLoT** (Fig. 3-16). Use the same method to deactivate the function.

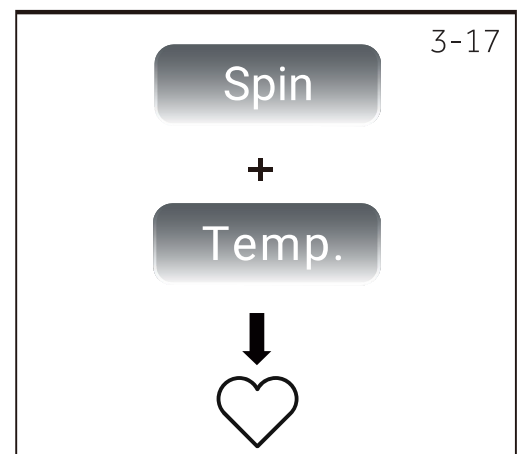


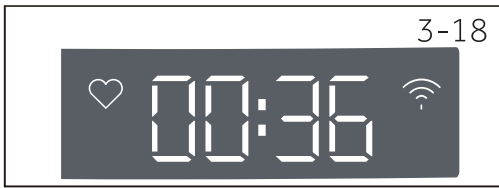
Note:Key lock


- ▶ The Key Lock function can only be activated and deactivated manually during the cycle, or deactivated automatically after the end of the cycle. Power-off will not be able to deactivate this function, it will remain On when the product is powdered on.
- ▶ The Key Lock function can not be activated or deactivated through App.

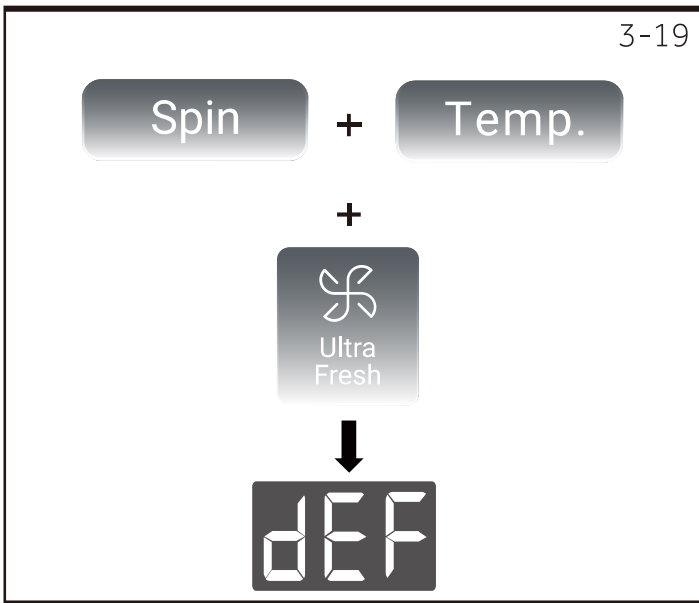
3.5.2 Favourite

Select a cycle and preferred settings, press the "Confirm" button, then press the "Spin" and "Temp." buttons (Fig. 3-17) simultaneously for 3 seconds to save these settings, and the icon  on the screen will light up.

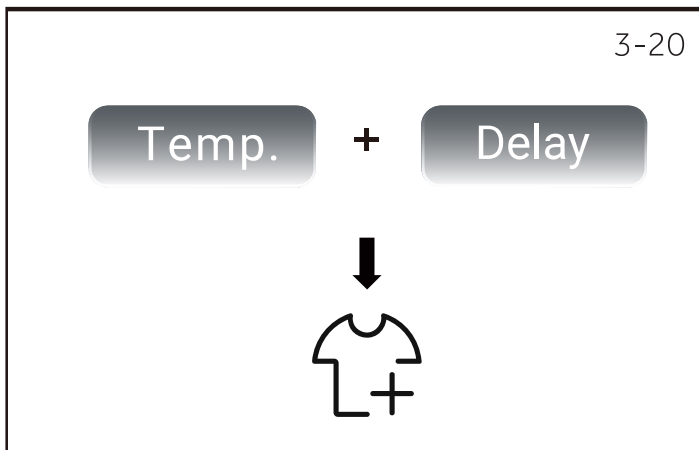




Next time users select this cycle, the icon  will light up (Fig.3-18), it will automatically come with your preferred settings .



Quick method to deactivate preferred settings for all cycles, just select the " Ultra Quick" cycle, then press the "Spin" "Temp." and "Ultra Fresh" buttons (Fig. 3-19) simultaneously for 3 seconds, the screen will display **DEF** , and all cycles will go back to its default settings.




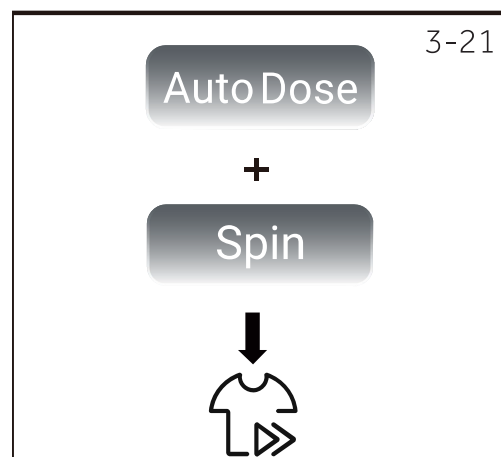
3.5.3 Add Garment

During the cycle, press the "Temp." and " Delay" buttons (Fig. 3-20) to activate the Add Garment function.

Cycle will be paused (if the water level is too high, product will drain the water to a level where the door can be opened), then users can open the door, put the garments into the drum and close the door, then press the "Confirm" button and "Start/Pause" button to resume the cycle.

3.5.3 Speed Up

Press the "Auto Dose" and "Spin" button (Fig. 3-21) simultaneously for 3 seconds, the Speed Up function will be activated and the icon  will light up. When this function is on, the washing time will be reduced by 30% approximately.

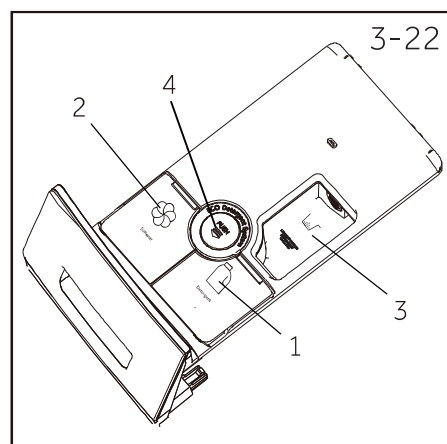


3.6 Dispenser

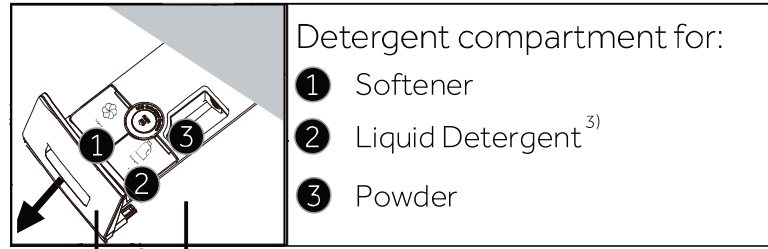
Open the drawer, following components can be seen (Fig.3-22).

- 1: Compartment for liquid detergent.
- 2: Compartment for softener.
- 3: Compartment for powder detergent.
- 4: Lock tab, press it down to pull out the drawer.

Different types of detergent/softener are usually suitable with different washing temperatures, please refer to the instructions of the detergent/softener.



• Yes, ○ Optional, / No



Cycle	Max. load in kg		Temperature in °C ¹⁾ selectable range	Default	Softener	Detergent	Laundry Powder	Fabrics type	Default spin speed in rpm	Function										default duration (min)			
	HWF10D	HWF12D								°C	°C	°C	°C	°C	°C	°C	°C	°C	°C	°C	°C	°C	HWF10D
Mixed	10	12	-- to 60	30	•	•	○	/	1000	○	○	○	○	○	○	○	○	○	○	○	○	AUTO	AUTO
Ultra Quick	5	5	-- to 40	20	•	•	○	Cotton / Synthetic	1000	/	/	○	○	○	○	/	/	○	○	○	○	29	29
Towels	10	12	-- to 90	60	•	•	○	Cotton / Synthetic	1400	○	○	○	○	○	○	○	○	○	○	○	○	AUTO	AUTO
Bedding	7	8	-- to 60	30	•	•	○	Cotton	1000	○	/	○	○	○	○	○	○	○	○	○	○	89	94
Cotton	10	12	-- to 90	30	•	•	○	Cotton	1000	○	○	○	○	○	○	○	○	○	○	○	○	AUTO	AUTO
Synthetics	10	12	--to 60	30	•	•	○	Synthetic or mixed fabric	1000	○	○	○	○	○	○	○	○	○	○	○	○	AUTO	AUTO
Refresh	1	1	--	--	/	/	○	Cotton/Synthetic	/	/	/	/	/	/	○	/	/	/	/	/	/	18	18
Wool	2.5	3	--to 40	--	○	•	○	Machine-washable fabric made of wool or with wool content	800	/	/	○	/	/	○	/	/	○	/	/	○	40	40
Duvet	2.5	3	--to 40	30	○	/	○	Cotton	800	/	/	○	○	○	○	○	/	○	/	○	74	74	
Delicate	2.5	3	-- to 30	30	•	•	○	Delicate laundry and silk	600	○	/	○	/	○	○	/	/	○	/	○	47	47	
AllergyCare	10	12	-- to 90	60	•	•	○	Cotton/Synthetic	1000	○	/	○	○	○	○	/	○	/	○	107	112		
Bulky	7	8	-- to 60	30	•	•	○	Cotton/Synthetic	1000	○	/	○	○	○	○	○	○	○	○	○	○	89	98
Spin	/	/	--	--	/	/	/	Not-fragile fabric	1000	/	/	/	○	/	○	/	/	/	/	/	/	8	8
Drum Clean	/	/	-- to 90	90	/	/	/	/	/	/	/	/	/	/	○	/	/	/	/	/	/	60	60

-- Water will not be heated

- 1) Choose 90°C wash temperature only for special hygienic requirements
- 2) Reduce detergent amount because the cycle "Ultra Quick" duration is short.
- 3) If users deactivate the Autodose function, then the product will not be able to dose the detergent automatically. When wash heavy loads, the product may vibrate if loads are tangled.

Registration Cycle

Registration cycle for the Energy and Water Labeling is based on: AS/NZS 2040.2 Cotton, 40°C, Spin Speed:1400, Ultra Fresh off, Detergent off, Softener off, which is the recommended water and energy saving cycle for normally soiled load in everyday washing scenario.

The detergent is added as 100% powder detergent, put directly into the bottom of the drum, then add the maximum amount of anti-foaming agent into the bottom of the drum, and then add the PBIS solution to the bottom of the drum, put in the standard load, and start the registration cycle.

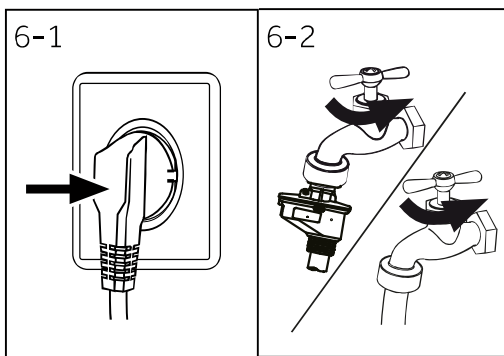
Woolmark WOOL CARE

The wool wash cycle of this machine has been tested and approved by The Woolmark Company for the washing of machine washable wool products provided that the products are washed according to the instructions on the garment label and those issued by the manufacturer of this washing machine. M1766(HWF12DW1,HWF12DB1,HWF10DW2,HWF10DB2).



i Note: Auto Weight

This product is equipped with a loading weight recognition sensor. When the load weight is low, corresponding energy, water and washing time will be adjusted automatically for some cycles. The displayed cycle duration may vary depending on the load weight, including "Mixed, Towels, Cotton, Synthetics" cycles.



6.1 Power supply

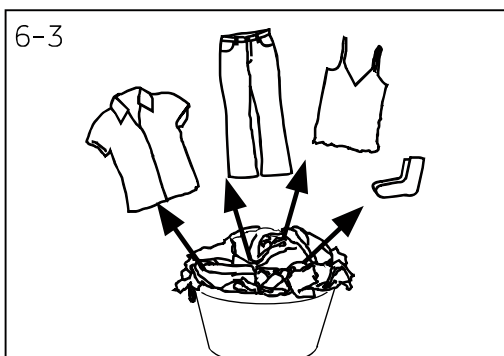
Connect the product to a power socket (Fig. 6-1). Please also refer to section 11- Installation (see page 34).

6.2 Water connection

- ▶ Before connecting, make sure the water inlet is clean and intact.
- ▶ Turn on the tap (Fig. 6-2).

i Note: Tightness

Before use, turn on the tap to check if there is any water leakage around the joint between the tap and the inlet hose.



6.3 Preparing laundry

- ▶ Sort out clothes according to fabric (cotton, synthetics, wool or silk etc.) and how dirty they are (Fig. 6-3). Pay attention to the instructions on the clothes labels.
- ▶ Separate white clothes from coloured ones. Wash coloured textiles first by hand to check if they fade or run.
- ▶ Empty pockets (keys, coins, etc.) and remove harder decorative objects (e.g. brooches).
- ▶ Garments without hems, delicates and finely woven textile such as fine curtains should be put into a wash bag to care for this delicate laundry (hand or dry cleaning would be better).
- ▶ Close zippers, velcro fastener and hooks, make sure the buttons are sewn on tightly.
- ▶ Place sensitive items like laundry without firm hem, delicate underwear and small items such as socks, belts, bras, etc. in a wash bag.
- ▶ Unfold large pieces of fabric such as bed sheets, bedspreads etc.
- ▶ Turn jeans and printed, decorated or color-intensive textile inside out; possibly wash separately.



CAUTION!

Non-textile, as well as small, loose or sharp-edged items may cause malfunctions and damage to clothes and appliance.

Fabric Care chart

Washing		
 Washable up to 95°C normal process	 Washable up to 60°C normal process	 Washable up to 60°C gentle process
 Washable up to 40°C normal process	 Washable up to 40°C gentle process	 Washable up to 40°C very gentle process
 Washable up to 30°C normal process	 Washable up to 30°C gentle process	 Washable up to 30°C very gentle process
 Wash by hand max. 40°C	 Do not wash	
Bleaching		
 Any bleaching allowed	 Only oxygen/non-chlorine	 Do not bleach
Drying		
 Tumble drying possible normal temperature	 Tumble drying possible lower temperature	 Do not tumble dry
 Line drying	 Flat drying	
Ironing		
 Iron at a maximum temperature up to 200°C	 Iron at a moderate temperature up to 150°C	 Iron at a low temperature up to 110°C; without steam (steam ironing may cause irreversible damage)
 Do not iron		
Professional Textile Care		
 Dry cleaning in tetra-chloroethene	 Dry cleaning in hydrocarbons	 Do not dry clean
 Professional wet clean	 Do not professional wet clean	

Some of these symbols may not be in the device menu.

6.4 Loading the appliance

- ▶ Put in the laundry piece by piece.
- ▶ Don't overload. Note the different maximum load according to cycles! Rule of thumb for maximum load: Keep six inches between load and drum top.
- ▶ Close the door carefully. Make sure that no pieces of laundry are pinched.

6.5 Selecting detergent

- ▶ Washing efficiency and performance is determined by detergent quality.
- ▶ Use only machine wash approved detergent.
- ▶ If needed, use specific detergents, e.g. for synthetic and woolen fabric.

Cycle	Kind of detergent				
	Universal	Colour	Delicate	Special	Softener
Mixed	√L	√	-	-	√
Ultra Quick	√	√L	-	-	√
Towels	-	√L	-	-	√
Bedding	√	√	-	-	√
Cotton	√	√	-	-	√
Synthetic	-	√	-	-	√
Refresh	-	-	-	-	-
Wool	-	-	√	√	√
Duvet	-	-	√L	√	○
Delicate	-	-	√	√	√
Allergy Care	√	-	-	√	√
Bulky	√P	√	-	-	√
Spin	-	-	-	-	-
Drum Clean	-	-	-	√	-

L = gel-/liquid detergent P = powder detergent O = no - = deprecated √ = Recommended
 If using liquid detergent, it is not recommended to activate the time delay.

We recommend by using:

- ▶ Laundry powder: 20°C to 90°C* (best use: 40-60°C)
- ▶ Color detergent: 20°C to 60°C (best use: 30-60°C)
- ▶ Wool/delicate detergent: 20°C to 30°C (best use: 20-30°C)

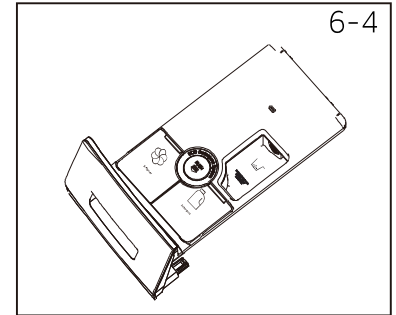
* Choose 90 °C wash temperature only for special hygienic requirements.

* If you choose the water temperature 60°C or above, we would like to advise you to use less detergent.

* It is better to use less or not use suds detergent powder.

6.6 Adding detergent

1. Slide out the detergent drawer.
2. Put the required chemicals into corresponding compartments (Fig. 6-4).
3. Push back the drawer gently.

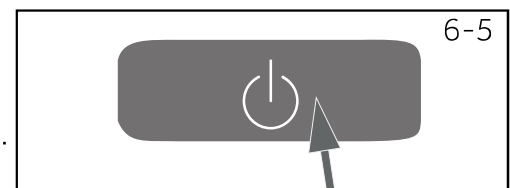


i Note:

- ▶ Please follow the instruction on the detergent package.
- ▶ Concentrated liquid detergent should be diluted before adding.
- ▶ Carefully choose the cycle settings according to the care symbols on all laundry labels and according to the cycle table.

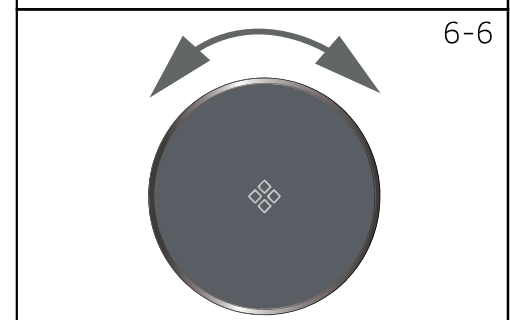
6.7 Switch on the appliance

Touch the "Power" button to switch on the appliance (Fig. 6-5). The LED of "Confirm" button will be flashing.



6.8 Select a cycle

To get the best washing results, select a cycle which fits the degree of soiling and type of laundry. Turn the dial (Fig. 6-6) to select the right cycle.



i Note: Odour removal

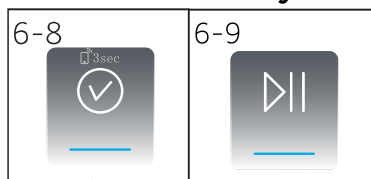
Before first use, we recommend to run cycle "Drum clean" with no load and small amount of detergent in detergent compartment (2) or special machine cleaner to remove possible corruptive residues.

6.9 Add individual selections

Select required options and settings (Fig. 6-7), refer to Control Panel.



6.10 Start the cycle



After select the cycle and preferred settings, press the "Confirm" button (Fig. 6-8), then press the "Start/Pause" button (Fig. 6-9), the product will start running.

6.11 Pause/change cycle

During the cycle, press the "Start/Pause" button to pause the cycle, then press it again to resume the cycle.

To change to another cycle when the product is running, press the "Start/Pause" button to pause the cycle, use the dial to select another cycle, press the "Confirm" and "Start/Pause" button in order, the product will start running.

6.12 After washing

Note: Door lock

- ▶ For safety reasons, the door is locked during the washing cycle. It is only possible to open the door at the end of the cycle or after the cycle was cancelled correctly (see description above).
- ▶ When there is high water level, high water temperature and when the drum is spinning, it is not possible to open the door; screen display "Lock": The water level, temperature, or spin speed does not meet the requirements for opening the door.

1. At the end of the cycle, the screen will display "End".
2. The appliance switches off automatically
3. Remove laundry as soon as possible to avoid formation of wrinkles.
4. Turn off the water supply.
5. Unplug the power cord.
6. Open the door to prevent formation of moisture and odours. Leave it open while not used.

Note: Standby-mode/energy-saving mode

To save energy, the product will enter standby-mode and the display will turn off after 2 minutes of inactivity. Touch the "Power" button to exit the standby-mode.

6.13 Activate or deactivate the buzzer

The acoustic signal can be selected if necessary:

1. Switch on the appliance.
2. Touch the "Options" button and "Spin" button at the same time for about 3 seconds. "OFF" will be displayed and the buzzer will be deactivated.

For activating the buzzer, touch these two buttons at the same time again. "ON" will be displayed.

Your appliance can be connected to your home wireless network and operated remotely using the app.

Getting started

Ensure your home Wi-Fi network is turned on.

You will be given step by step guidance on both your appliance and mobile device.

It may take up to 10 minutes to connect your appliance.

On your mobile device:

1. Your product is Wi-Fi connectable, please visit the web page below to download the app and find out more:
Australia <https://www.haier.com.au/smart>
New Zealand <https://www.haier.co.nz/smart>
2. Register and create an account.
3. Add your appliance and set up the Wi-Fi connection



Environmentally responsible use

- ▶ To achieve best use of energy, water, detergent and time, you should use the recommended maximum load size.
- ▶ Do not overload (hand width clearance above laundry).
- ▶ For slightly soiled laundry, select the Ultra Quick cycle.
- ▶ Apply exact dosages of each washing agent.
- ▶ Choose the lowest adequate washing temperature, modern detergents are effective below 60°C.
- ▶ Adjust default settings up only when there is heavy stains.

General information:

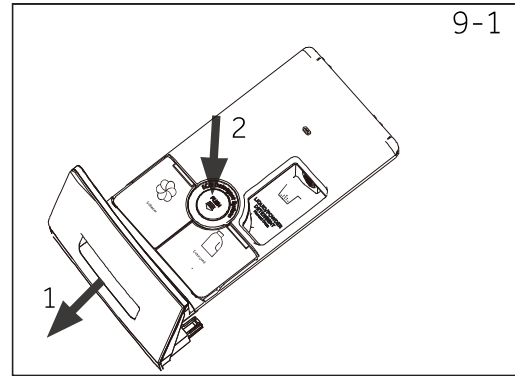
- ▶ The "Mixed" cycle is able to clean normally soiled cotton laundry declared to be washable at 40 °C or 60 °C;
- ▶ The most efficient cycles in terms of energy consumption are generally those that perform at lower temperatures and longer duration;
- ▶ Noise and remaining moisture content are influenced by the spinning speed: the higher the spinning speed in the spinning phase, the higher the noise and the lower the remaining moisture content.

9.1 Cleaning the detergent drawer

Make sure there are no detergent residues.

Clean the drawer regularly (Fig. 9-1):

1. Pull out the drawer until it stops.
2. Press the release button and remove the drawer.
3. Wipe the inside of the sink clean with a towel.
4. Flush the drawer with water until it is clean and insert the drawer back in the appliance.



9.2 Cleaning the machine

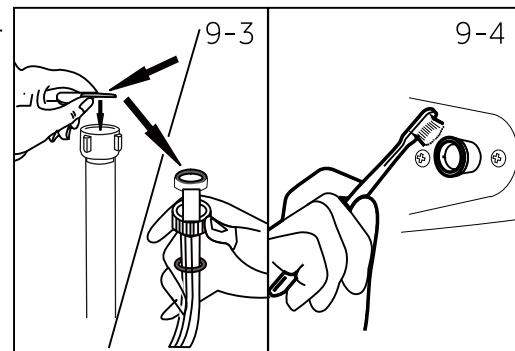
- ▶ Unplug the machine during cleaning and maintenance.
- ▶ Use a soft cloth with soap liquid to clean the machine case (Fig. 9-2) and rubber components.
- ▶ Do not use organic chemicals or corrosive solvents.



9.3 Water inlet valve and inlet valve filter

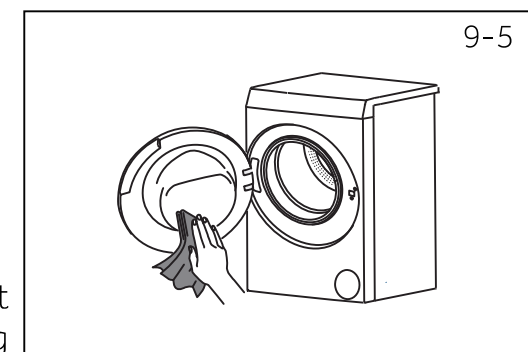
To prevent blockage of water supply by solid substances like lime, clean regularly the inlet valve filter.

- ▶ Unplug the power cord and turn off the water supply.
- ▶ Unscrew the water inlet hose at the back (Fig. 9-3) of the appliance as well as on the tap.
- ▶ Flush the filters with water and a brush (Fig. 9-4).
- ▶ Insert the filter and install the inlet hose.
- ▶ Turn on the tap to see if it leaks.



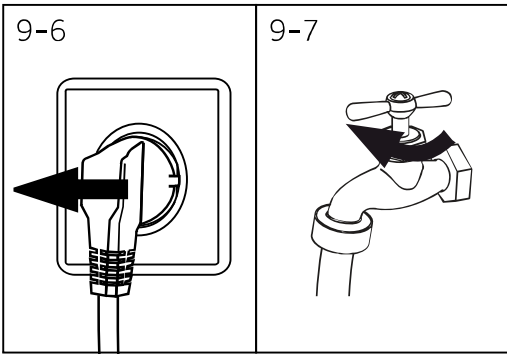
9.4 Cleaning the drum

- ▶ Remove accidentally washed items, especially metal parts such as pins, coins, etc. from the drum (Fig. 9-5) and the groove of the door gasket (rubber) because they cause rust stains and damage.
- ▶ Use a non-chloride cleaner for removing rust stains. Observe the warning hints of the cleaning agent manufacturer.
- ▶ Do not use any hard objects or steel wool for cleaning.
- ▶ After the procedure, open the door, use a towel to clean the stains and foam around the gasket, and keep the inside and outside of the gasket clean.



Note: Hygiene

For regular maintenance, we recommend running the cycle "Drum clean" within every 100 cycles to avoid possible corrosive residues. Add a small amount of detergent to the detergent compartment (2) or use a special machine cleaner.

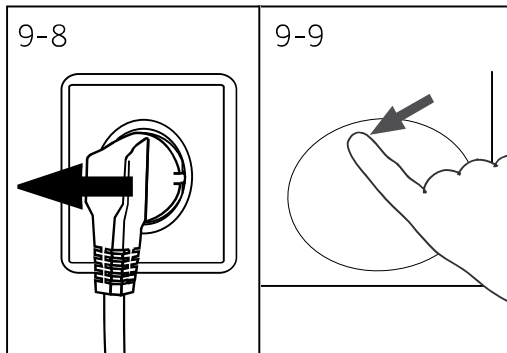


9.5 Long periods of disuse

If the appliance is left idle for a long period:

1. Pull out the electrical plug (Fig. 9-6).
2. Turn off water supply (Fig.9-7).
3. Open the door to prevent formation of moisture and odours. Leave it open while not used.

Before next usage, check carefully power cord, water inlet and drain hose. Make sure everything is properly installed and without leakage.



9.6 Pump filter

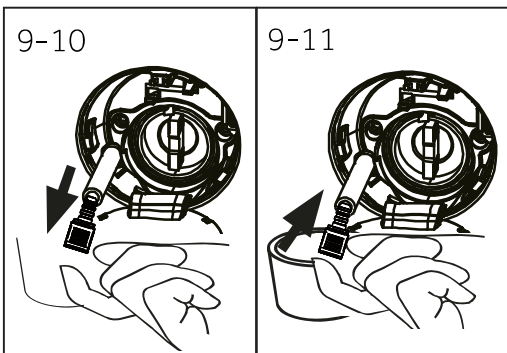
Clean the filter once a month and check the pump filter for instance if the appliance:

- ▶ Doesn't drain the water.
- ▶ Doesn't spin.
- ▶ Cause unusual noise while running.

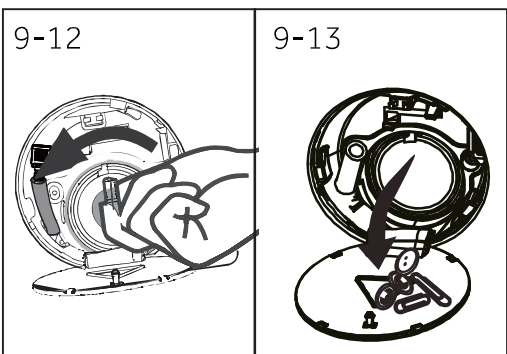


WARNING!

Scalding Risk! Water in the pump filter can be very hot! Before any operation, please ensure water has cooled down.

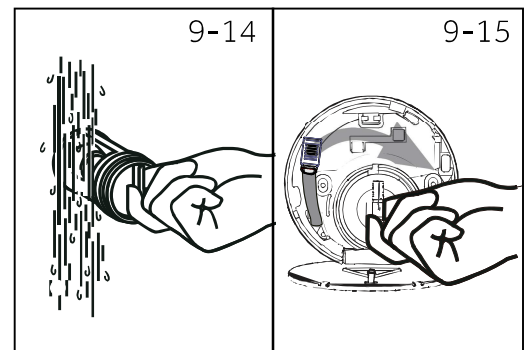


1. Turn off and unplug the machine (Fig. 9-8).
2. Push and open service flap (Fig.9-9).
3. Provide a flat container to catch residual water. (Fig 9-10) There could be bigger amounts!
4. Pull the drain hose out and hold its end above the container (Fig. 9-10).



5. Take the sealing plug out of the drain hose (Fig. 9-10).
6. After complete drainage, close drain hose (Fig. 9-11) and push it back into the machine.
7. Unscrew and remove the pump filter in counterclockwise direction (Fig.9-12).
8. Remove contaminants and dirt (Fig.9-13).

9. Clean carefully pump filter, e.g. using running water (Fig. 9-14).
10. After cleaning, reinstall the handle and tighten it until it does not move. At this time, the handle is in vertical state (Fig. 9-15).
11. Close service flap.



CAUTION!

- ▶ Pump filter sealing has to be clean and undamaged. If the lid is not fully tightened, water can escape.
- ▶ The filter must be in place, or it may lead to leakage.

Many occurring problems could be solved by yourself without specific expertise. In case of a problem, please check all shown possibilities and follow below instructions before you contact customer service. See CUSTOMER SERVICE.



WARNING!

- ▶ Before maintenance, deactivate the appliance and disconnect the mains plug from the mains socket.
- ▶ Electrical equipment should be serviced only by qualified electrical experts, because improper repairs can cause considerable consequential damages.
- ▶ A damaged power cable should only be replaced by the manufacturer, its service agent or similarly qualified persons in order to avoid a hazard.
- ▶ For the safety of the end-user, self-repair or non-professional repair is not recommended. Please contact customer service.

10.1 Troubleshooting with display code

Problem	Cause	Solution
CLR FLTR	• Drainage error, water is not fully drained within 6 minutes.	<ul style="list-style-type: none"> • Clean pump filter. • Check drain hose installation.
E2	• Lock error.	<ul style="list-style-type: none"> • Shut the door properly.
E4	<ul style="list-style-type: none"> • Water level not reached after 12 minutes. • Drain hose is self-siphoning. 	<ul style="list-style-type: none"> • Make sure that tap is fully opened and water pressure is normal. • Check drain hose installation.
E8	• Water protective level error.	<ul style="list-style-type: none"> • Contact customer service.
E5	• Drainage error. Water is not fully drained in set time.	<ul style="list-style-type: none"> • Clean pump filter. • Check drain hose installation.
F3	• Temperature sensor error	<ul style="list-style-type: none"> • Contact customer service.
F4	• Heating error.	<ul style="list-style-type: none"> • Contact customer service.
F7	• Motor error.	<ul style="list-style-type: none"> • Contact customer service.
FA	• Water level sensor error.	<ul style="list-style-type: none"> • Contact customer service.
FH	• The Wi-Fi module fails to be configured	<ul style="list-style-type: none"> • Contact customer service.
F0	• Water overflowed abnormally.	<ul style="list-style-type: none"> • Open drain pump to drain. Shut down the machine. Contact customer service.
FC0/FC1/ FC2	• Abnormal communication error.	<ul style="list-style-type: none"> • Contact customer service.
FC28	• The 12V load control board communication abnormality.	<ul style="list-style-type: none"> • Check the stepper motor drive board or connecting harness

Problem	Cause	Solution
FCU	<ul style="list-style-type: none">• Signal transmission error between the display board and the flow board	<ul style="list-style-type: none">• Check the wiring connection between the UI and WP panel, check the UI panel.
nd	<ul style="list-style-type: none">• Model has not been selected	<ul style="list-style-type: none">• Set the machine model
Lock	<ul style="list-style-type: none">• The water level, temperature, or spin speed does not meet the requirements for opening the door	<ul style="list-style-type: none">• Contact customer service.
Eb	<ul style="list-style-type: none">• Laundry is caught in the door when closed.	<ul style="list-style-type: none">• Please open the door and put the clothes into the drum completely. Then press the "Start" button to run the cycle.

10.2 Troubleshooting without display code

Problem	Cause	Solution
Washing machine fails to operate.	<ul style="list-style-type: none"> • Cycle is not yet started. • Door is not properly closed. • Machine has not been switched on • Power failure. • Key lock is activated 	<ul style="list-style-type: none"> • Check cycle and start it. • Close the door properly • Switch the machine on. • Check power supply. • Deactivate key lock.
Washing machine can not be filled with water.	<ul style="list-style-type: none"> • No water. • Inlet hose is kinked. • Inlet hose filter is blocked. • Water pressure is less than 0.05 MPa • Door is not properly closed • Water supply failure. 	<ul style="list-style-type: none"> • Check water tap. • Check inlet hose. • Unblock inlet hose filter. • Check water pressure. • Close the door properly. • Ensure the water supply.
Machine is draining while being filled.	<ul style="list-style-type: none"> • Height of drain hose is below 60 cm • Drain hose end could reach into water. 	<ul style="list-style-type: none"> • Make sure that drain hose is properly installed. • Make sure the drain hose is not in water.
Drainage failure	<ul style="list-style-type: none"> • Drain hose is blocked • Pump filter is blocked. • Drain hose end is higher than 100 cm above floor level 	<ul style="list-style-type: none"> • Unblock drain hose. • Clean pump filter. • Make sure that drain hose is properly installed
Strong vibration while spinning	<ul style="list-style-type: none"> • Not all transportation bolts have been removed • Appliance is not on solid and flat ground. • Something wrong with the load. 	<ul style="list-style-type: none"> • Remove all transportation bolts • Ensure solid and flat ground. • Check load weight and balance
Operation stops before wash cycle ends.	<ul style="list-style-type: none"> • Water or electric failure. 	<ul style="list-style-type: none"> • Check power and water supply.
Operation stops for a period of time.	<ul style="list-style-type: none"> • Appliance displays error code • Problem due to load pattern • During soaking process. 	<ul style="list-style-type: none"> • Consider display codes • Reduce or adjust load. • Cancel cycle and restart
Excessive foam overflows drum and/or detergent drawer.	<ul style="list-style-type: none"> • Detergent is not appropriate. • Excessive use of detergent. 	<ul style="list-style-type: none"> • Check detergent recommendations. • Reduce amount of detergent.
Automatic adjustment of washing time.	<ul style="list-style-type: none"> • Cycle duration can change automatically. 	<ul style="list-style-type: none"> • This is normal and doesn't affect functionality.

Problem	Cause	Solution
Spinning fails.	<ul style="list-style-type: none"> • Unbalance of laundry. 	<ul style="list-style-type: none"> • Check machine load and laundry and run a spinning cycle again.
Unsatisfactory washing result.	<ul style="list-style-type: none"> • Degree of soil does not match with selected cycle. • Detergent quantity was not sufficient. • Maximum load has been exceeded. • Laundry was unevenly distributed in the drum. 	<ul style="list-style-type: none"> • Select another cycle. • Choose the detergent according to the degree of soil and according to manufacture specifications. • Reduce loading. • Loosen the laundry.
Washing powder residues are on the laundry.	<ul style="list-style-type: none"> • Insoluble particles of detergent can remain as white spots on the laundry. 	<ul style="list-style-type: none"> • Perform extra rinse. • Try to brush the residues from the laundry. • Choose another detergent.
Laundry has grey patches.	<ul style="list-style-type: none"> • Caused by fats such as oils, creams or ointments. 	<ul style="list-style-type: none"> • Pretreat the laundry with a special cleaner.

i Note: Foam formation

If too much foam is inspected during spin cycle, motor stops and drain pump will be activated for 90 seconds. If that elimination of foam fails up to 3 times, cycle ends without spinning.

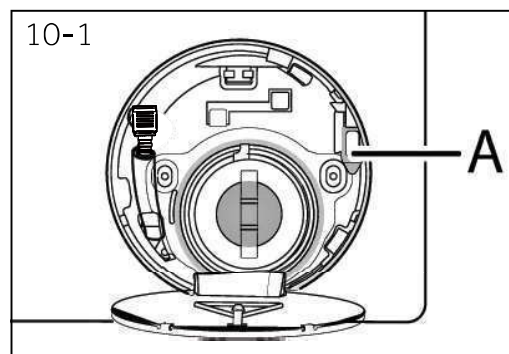
Should the error messages reappear even after the taken measures, switch off the appliance, disconnect the power supply and contact the customer service.

10.3 In case of power failure

The current cycle and its setting will be saved.

When power supply is restored, operation will be resumed.

In case of an emergency (such as an power failure, and the door is locked), you can manually open the door lock and remove your load. In order to do that, water level needs to be lowered as described in " Pump filter". Then pull lever (A) until door is unlocked with a gentle click.



i When the washing machine is in a safe state (water level below the window with a certain distance, drum temperature below 55°C, drum is not spinning), can unlock the door.

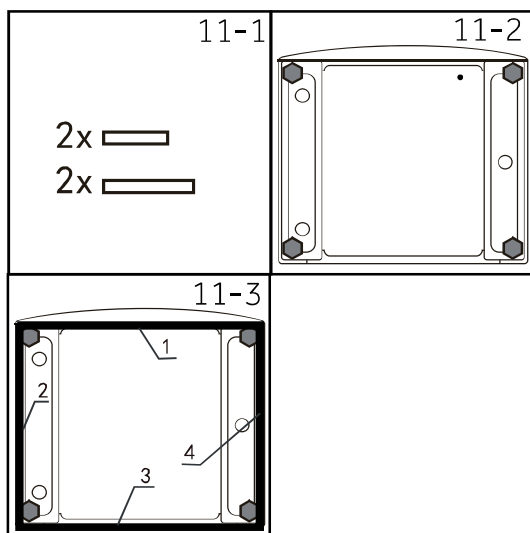
11.1 Preparation

- ▶ Take the appliance out of the packaging.
- ▶ Remove all packaging material including protecting film on cabinet, polystyrene base, keep them out of children's reach. While opening the package, water drops may be seen on plastic bag and sight window. This normal phenomenon results from water tests in the factory.



Note: Packaging disposal

Keep all packaging materials out of children's reach and dispose them in an environmentally friendly manner.



11 2 OPTIONAL: Install noise reduction pads

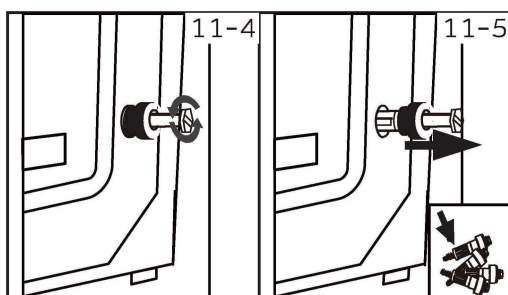
1. When opening the shrink package, you will find four noise reduction pads. These are used for reducing noise (Fig. 11-1).
 2. Lay the washing machine down to its side, sight window pointing upwards, bottom side towards operator (Fig. 11-2).
 3. Take out the noise reduction pads and remove the double-sided adhesive protective film; paste around the bottom; the noise reduction pads under the washing machine cabinet as shown in Figure 11-3 (two longer pads in position 1 and 3, two shorter pads in position 2 and 4).
- Finally set the machine upright again (Fig. 11-3).

Warm tip:

Noise reduction pad is optional, which could help to reduce noise. Please assemble it or not according to your own demand.

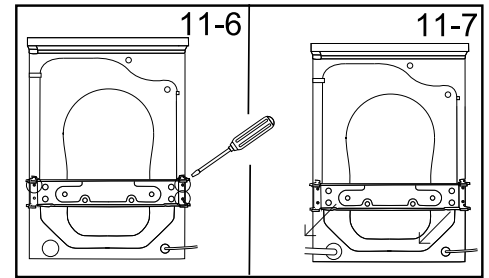
11.3 Dismantle the transportation bolts

The transportation bolts are designed for clamping anti-vibration components inside the appliance during transportation to prevent inner damage.

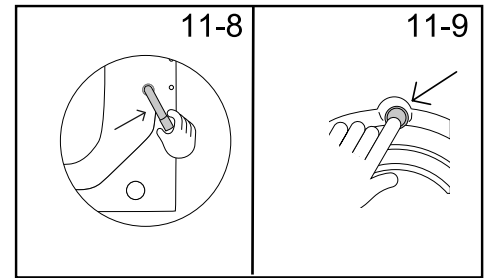


1. Remove all 4 bolts on the rear side and take out plastic spacers (Fig. 11-4)(Fig. 11-5).

- (HWF12D series only) Remove the 3 transit brace screws from the left and right sides of the transit brace.(Fig. 11-6)
Remove the brace. (Fig. 11-7)



- (HWF12D series only) Pull out the transit rod located below the right lower transit bolt holes. (Fig.11-8)
Remove the yellow safety clip from the power cord.



- Fill left holes with blanking plugs. (Fig. 11-9)

i Note: Keep in safe place

Keep all parts of the transport protection in a safe place for later use. Whenever the appliance is to be moved, reinstall the protection parts first.

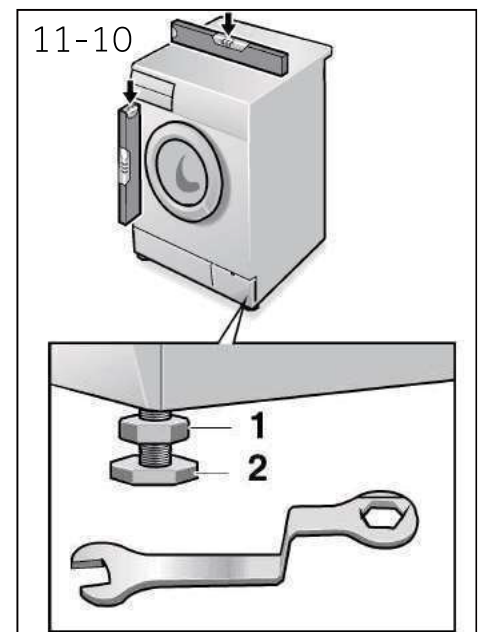
11.4 Moving the appliance

If the machine is to be moved to a distant location, reinstall the transportation bolts in reverse order.

11.5 Aligning the appliance

Adjust all feet(Fig.11-10) to achieve a complete level position. This will minimize vibrations and thus noise during use. It will also reduce wear and tear. We recommend to use a spirit level for adjustment. Floor should be as stable and flat as possible.

- Loosen the locknut (1) with a wrench.
- Adjust the height by turning the foot (2).
- Tighten locknut (1) against the housing.



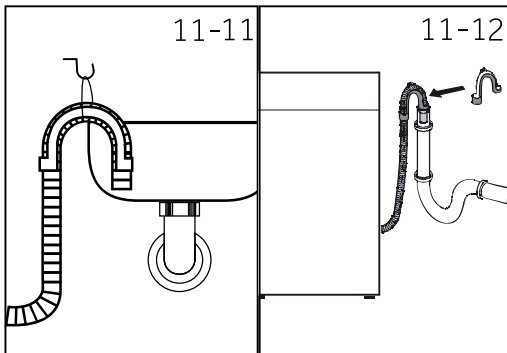
11.6 Drain Water Connection

Fix the water drain hose properly to the piping. The hose has to reach at one point a height between 60 and 100 cm above the appliance bottom line! If possible, always keep the drain hose fixed to the clip at the back of the appliance.



WARNING!

- ▶ Use only the supplied hose set for the connection.
- ▶ Never reuse old hose sets!
- ▶ Only connect to cold water supply.
- ▶ Before connection, check whether the water is clean and clear.



Following connections are possible:

11.6.1 Drain hose to sink

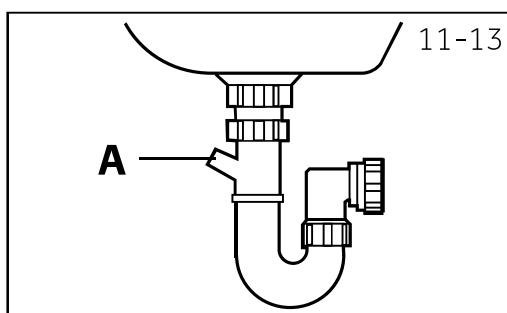
- ▶ Hang the drain hose with the U-support over the edge of a sink with adequate size (Fig.11-11).
- ▶ Protect the U-support sufficiently against slipping.

11.6.2 Drain hose to waste water connection

- ▶ The internal diameter of the stand pipe with vent-hole must be minimum 40 mm.
- ▶ Put the drain hose for 60-100 mm in the wastewater pipe.
- ▶ Attach the U-support and secure it sufficiently (Fig.11-12).

11.6.3 Drain hose to sink connection

- ▶ The junction must lie above the siphon.
- ▶ A spigot connection is usually closed by a pad (A). That must be removed to prevent any disfunction (Fig.11-13).
- ▶ Secure the drain hose with a clamp.



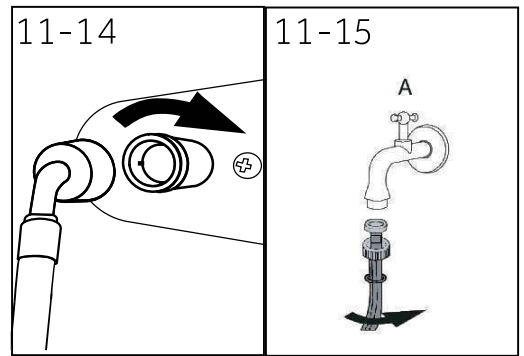
CAUTION!

- ▶ The drain hose should not be submerged in water and should be securely fixed and leak-free. If the drain hose is placed on the ground or if the pipe is at a height of less than 60 cm, the washing machine will continuously drain while being filled (self-siphoning).
- ▶ Drain hose is not to be extended. If necessary contact customer service.

11.7 Fresh Water Connection

Make sure that the gaskets are inserted.

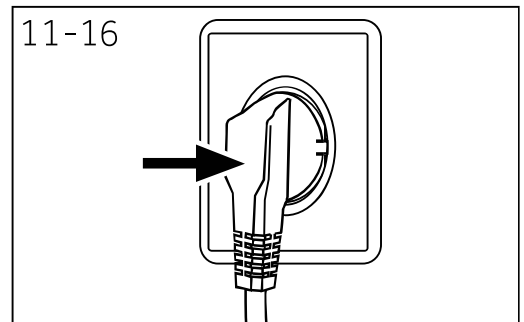
1. Connect the water inlet hose with the angled end to the appliance (Fig.11-14). Tighten the screw joint by hand.
2. The other end connect to a water tap with a 3/4" thread (Fig.11-15).



11.8 Electrical Connection

Before each connection check if:

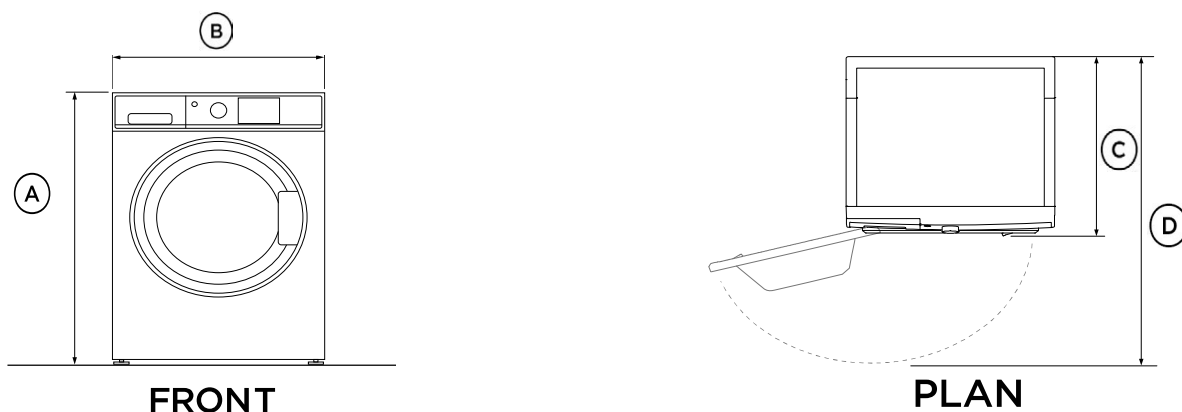
- ▶ power supply, socket and fuse are appropriate to the rating plate.
- ▶ the power socket is earthed and no multi-plug or extension are used.
- ▶ the power plug and socket are fully matched.



WARNING!

- ▶ Ensure always that all connections (power supply, drain and fresh water hose) are firm, dry and leak free!
- ▶ Make sure that these parts are never to be crushed, kinked or twisted.
- ▶ If the supply cord is damaged, it must be replaced by the service agent (see warranty card) in order to avoid a hazard.

12.1 Additional technical data

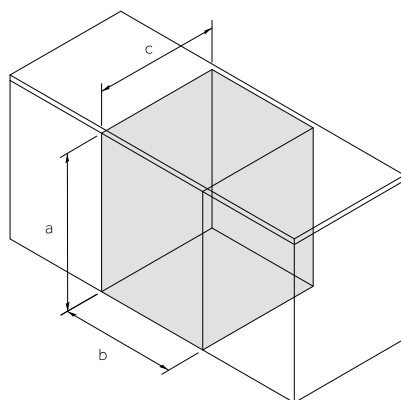


PRODUCT DIMENSIONS(MM)	HWF10D	HWF12D
Ⓐ Overall height*		
• Min	850	850
• Max	865	865
Ⓑ Overall width	595	595
Ⓒ Overall depth**	593	661
Ⓓ Depth with door open	1084	1152

* Exact height is dependent on foot adjustment

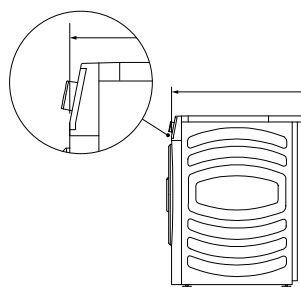
**Including dial and door (when closed)

Actual product dimensions may vary by ± 2 mm.

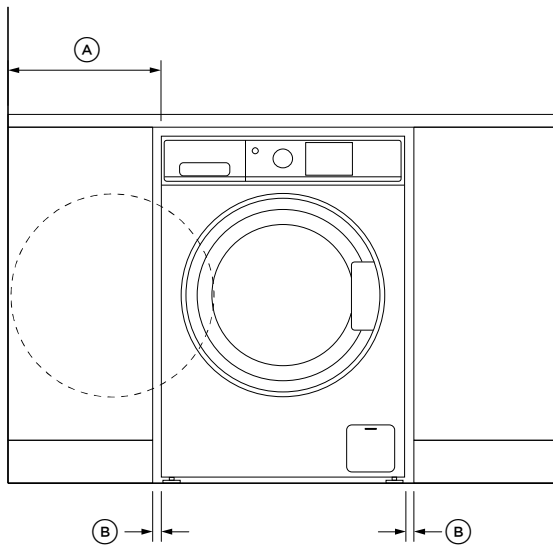


ISOMETRIC

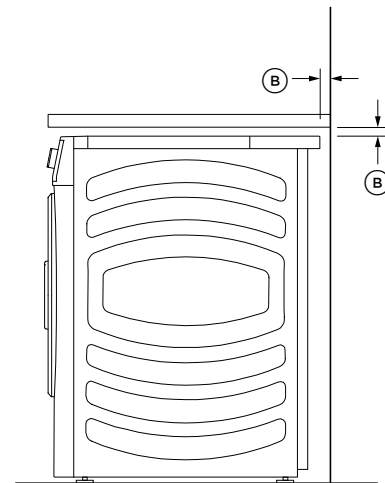
* Front panel of the product



CAVITY DIMENSIONS	HWF10D	HWF12D
Ⓐ Minimum cavity height	865	865
Ⓑ Minimum cavity width	662	662
Ⓒ Minimum cavity depth		
• Flush with front panel of the product*	600	669
• In cupboard	653	721



FRONT



PROFILE

CLEARANCE DIMENSIONS	MM
Ⓐ Minimum washer door clearance to adjacent wall	240
Ⓑ Minimum gap clearance to adjacent product or cabinetry*	15

ELECTRICAL	
Volts	220-240V
Hz	50
Amps(maximum)	10A
Power consumption(w)	2000

Note: The exact height of your washer is dependent on how far the feet are extended from the base of the machine. The space where you install your washer needs to be at least 40mm wider and 20mm deeper than its dimensions.

We recommend our Haier Customer Service and the use of original spare parts. If you have a problem with your appliance, please first check the section TROUBLESHOOTING.

If you cannot find a solution there please contact:

- ▶ your local dealer, or
- ▶ The Service and Support area at www.haier.com where you can find telephone numbers, FAQs and where you can activate a service claim.

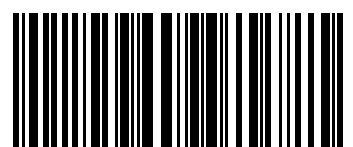
Before contacting our service team, ensure that you have the following information available.

The information can be found in the rating plate.

Model _____ Serial No. _____

Also check the Warranty Card supplied with the product in case of warranty. For General business enquiries and for more information, please refer to www.haier.com

Haier



0020509288AV