

2.1M HIGH INTEGRATED REFRIGERATION

PLANNING GUIDE

SERIES 11

46CM | RS4621FRJE1 | RS4621FLJE1

61CM | RS6121SRHE1 | RS6121SLHE1 | RS6121WRUE1 | RS6121WLUE1 |
RS6121FRJE1 | RS6121FLJE1

61CM WINE CABINET | RS6121VL2K1 | RS6121VR2K1

76CM REFRIGERATION | RS7621SRHE1 | RS7621SLHE1 | RS7621WRUE1 |
RS7621WLUE1 | RS7621FRJE1 | RS7621FLJE1

91CM REFRIGERATION | RS9121WRUVE1 | RS9121WLUVE1 | RS9121AUVE1

FISHER & PAYKEL

INTRODUCTION

This comprehensive planning guide provides you with the framework and tools to achieve your desired design outcome with Fisher & Paykel appliances. In this guide, you will find a range of conceptual, detailed, and dimensional product information to bring your ideas to life and create spaces that truly reflect your vision.

SUPPORT

For additional design planning and installation support please contact the Fisher & Paykel design support team.
designsupport@fisherpaykel.com

NOTES

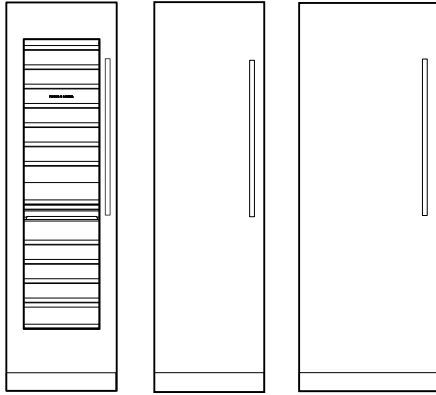
The models shown in this Planning Guide may not be available in all markets and are subject to change at any time. Refer to our website fisherpaykel.com for the latest document version. Product specifications may vary from those shown. This Planning Guide should not be used as installation guidance for any product. Specific installation guidance will be available with the product on delivery and on our website.

CONTENTS

CONCEPT DESIGN	PAGE	DEVELOPED AND DETAILED DESIGN	PAGE	DEVELOPED AND DETAILED DESIGN	PAGE
PRODUCT OVERVIEW		DATA SHEETS		HINGE ARTICULATION	
2.1M Refrigeration overview	4	RS4621FRJE1, RS4621FLJE1	13	KO5 Hinge	26
		61cm Single door models	14	Panel styles	27
SPECIFICATION GUIDE		RS6121WRUE1, RS6121WLUE1	15		
Integrated refrigeration overview	6	RS6121VL2K1, RS6121VR2K1	16	CUSTOM PANEL PREPARATION	
French door refrigerator freezer	7	76cm Single door models	17	RS4621FRJE1, RS4621FLJE1	29
		RS7621WRUE1, RS7621WLUE1	18	Single door models	30
ACCESSORIES		RS9121WRUVE1, RS9121WLUVE1	19	Wine cabinet	31
Handles	9	RS9121AUVE1	20	Refrigerator freezers	32
Handle fixing holes	10			French door refrigerator freezer	33
Stainless steel panels	11	PLANNING CONSIDERATIONS			
		Cavity specifications	22	SERVICES	
		Door swing clearances	23	46cm Freezer	35
		Custom toe kicks - low and high	24	61cm Models	36
				76cm Models	37
				91cm Models	38

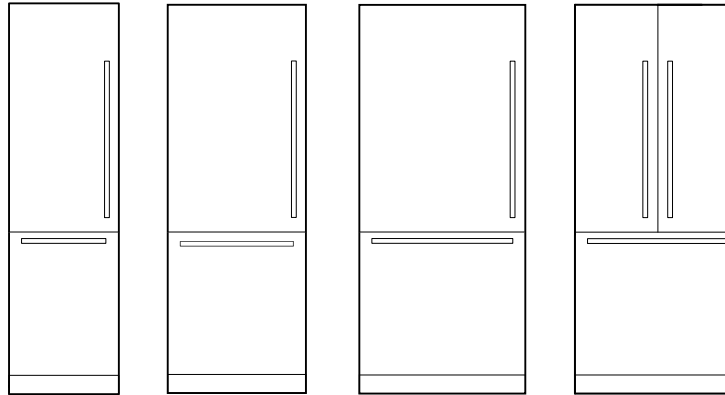
PRODUCT OVERVIEW

REFRIGERATION



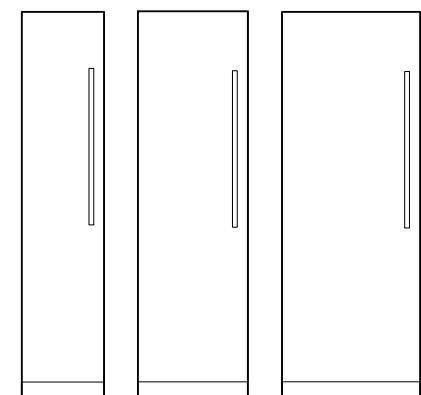
① ② ③

REFRIGERATOR FREEZER



④ ⑤ ⑥ ⑦

FREEZER

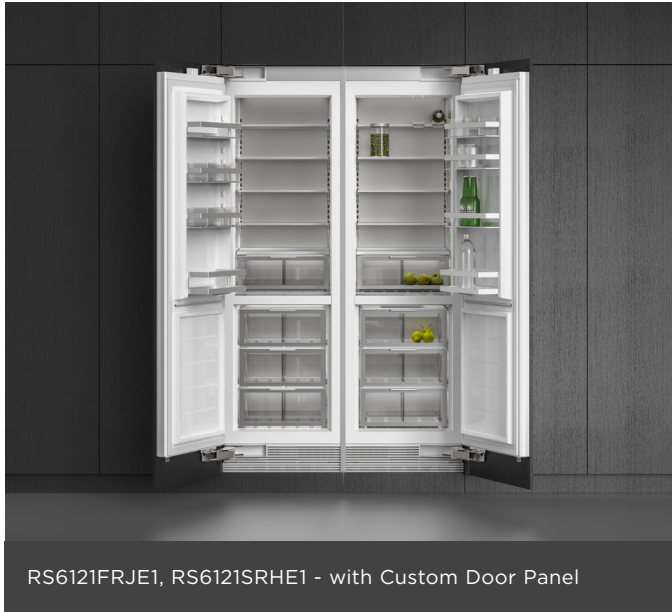


⑧ ⑨ ⑩

PRODUCT	MODEL	PRODUCT	MODEL	PRODUCT	MODEL
	Left hand hinge Right hand hinge		Left hand hinge Right hand hinge		Left hand hinge Right hand hinge
① 61cm Wine Cabinet 91 bottle capacity, optional display capability. Two independent temperature zones, four wine modes.	RS6121VL2K1 RS6121VR2K1	④ 61cm Integrated Refrigerator-Freezer Custom panel ready, 342L capacity, internal ice maker and water dispenser.	RS6121WLUE1 RS6121WRUE1	⑧ 46cm Freezer with Ice Custom panel ready, 220L, with internal ice maker.	RS4621FLJE1 RS4621FRJE1
② 61cm Integrated Refrigerator Custom panel ready, 351L capacity with internal water dispenser.	RS6121SLHE1 RS6121SRHE1	⑤ 76cm Integrated Refrigerator-Freezer Custom panel ready, 449L capacity, internal ice maker and water dispenser.	RS7621WLUE1 RS7621WRUE1	⑨ 61cm Integrated Freezer with ice Custom panel ready, 336L capacity with internal ice maker.	RS6121FLJE1 RS6121FRJE1
③ 76cm Integrated Refrigerator with water Custom panel ready, 463L capacity with internal water dispenser.	RS7621SRHE1 RS7621SLHE1	⑥ 91cm Integrated Refrigerator-Freezer Custom panel ready, 555L capacity, internal ice maker and water dispenser.	RS9121WLUE1 RS9121WRUE1	⑩ 76cm Integrated Refrigerator Custom panel ready, 442L capacity internal ice maker.	RS7621FLJE1 RS7621FRJE1
		⑦ 91cm Integrated Refrigerator-Freezer, French Door Custom panel ready, 555L capacity, internal ice maker and water dispenser.	RS9121AUVE1		

The models shown in this Planning Guide may not be available in all markets and are subject to change at any time. Product specifications may vary from those shown. This Planning Guide should not be used as installation guidance for any product. Further information is required to safely and correctly install the products featured here. Specific installation guidance will be available with the product on delivery and on our website fisherpaykel.com

SPECIFICATION GUIDE



OVERVIEW

Experience the pinnacle of refrigeration design with our most advanced Columns. Featuring elegant interiors and options for ice and water, these models embody premium functionality and style. Engineered for energy efficiency, they seamlessly integrate alone or paired. Available in various sizes, they ensure a perfect fit for any kitchen.

PRODUCTS*

REFRIGERATION

RS6121VL2K1, RS6121VR2K1
Integrated Wine Cabinet, 61cm

RS6121SRHE1, RS6121SLHE1
Integrated Refrigerator, 61cm, Water

RS7621SRHE1, RS7621SLHE1
Integrated Refrigerator, 76cm, Water

REFRIGERATOR FREEZER

RS6121WRUE1, RS6121WLUE1
Integrated Refrigerator Freezer, 61cm, Ice & Water

RS7621WRUE1, RS7621WLUE1
Integrated Refrigerator Freezer, 76cm, Ice & Water

RS9121WRUVE1, RS9121WLUVE1
Integrated Refrigerator Freezer, 91cm, Ice & Water

FRENCH DOOR REFRIGERATOR FREEZER

RS9121AUVE1
Integrated French Door Refrigerator Freezer, 91cm, Ice & Water

FREEZER

RS4621FRJE1, RS4621FLJE1
Integrated Freezer, 46cm, Ice

RS6121FRJE1, RS6121FLJE1
Integrated Freezer, 61cm, Ice

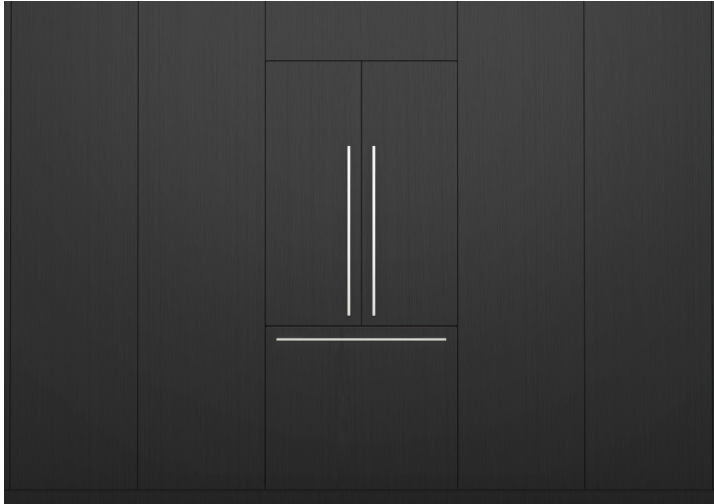
RS7621FRJE1, RS7621FLJE1
Integrated Freezer, 76cm, Ice

FEATURES

- ① Premium interior for a refined look and feel, this model is the highlight of our Integrated Columns collection.
- ② Designed for optimal energy performance and maximum efficiency.
- ③ Mix and match columns, install separately or pair together.
- ④ Seamless fit with only 3mm gaps, featuring no visible hinges or grilles.
- ⑤ Customize with kitchen cabinetry or a stainless steel door panel accessory.
- ⑥ Two Variable Temperature Zones with options for Fridge, Pantry, Chill, Freeze, Soft Freeze, and Deep Freeze modes
- ⑦ Intuitive, easy-to-use touchscreen interface with Wi-Fi compatibility
- ⑧ Flexible installation with left or right hinge options
- ⑨ Joining kit for pairing units; front adjustable levelling feet for easy installation
- ⑩ ActiveSmart™ technology maintains ideal temperature for fresher food.



The models shown in this Planning Guide may not be available in all markets and are subject to change at any time. Product specifications may vary from those shown. This Planning Guide should not be used as installation guidance for any product. Further information is required to safely and correctly install the products featured here. Specific installation guidance will be available with the product on delivery and on our website fisherpaykel.com



OVERVIEW

Experience the pinnacle of refrigeration design with our most advanced model. Featuring an elegant interior, this refrigerator embodies premium functionality and style.

Designed to optimise energy efficiency, it comes complete with an ice maker and internal water dispenser.

PRODUCT OVERVIEW

RS9121AUVE1

Integrated French Door Refrigerator Freezer, 91cm, Ice & Water

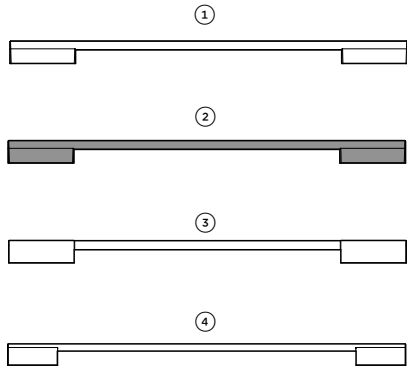
FEATURES

- ① Space-saving French Door design, ideal for island or galley style kitchens
- ② Designed for optimal energy performance and maximum efficiency
- ③ Enjoy convenient access to fresh, chilled water and ice with the internal water dispenser and ice maker
- ④ Seamless fit with only 3mm gaps, featuring no visible hinges or grilles
- ⑤ Customize with kitchen cabinetry or a stainless steel door panel accessory
- ⑥ Variable Temperature Drawer with Chill, Fridge, and Pantry modes for optimal food care
- ⑦ Intuitive, easy-to-use touchscreen interface with Wi-Fi compatibility
- ⑧ The premium design and finish include a steel interior lining, full-extension metal shelf runners for easy access, robust glass shelving, and drawers with quality hinges designed for daily use
- ⑨ ActiveSmart™ technology maintains ideal temperature for fresher food

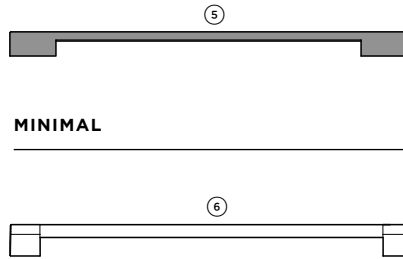
RS9121AUVE1

The models shown in this Planning Guide may not be available in all markets and are subject to change at any time. Product specifications may vary from those shown. This Planning Guide should not be used as installation guidance for any product. Further information is required to safely and correctly install the products featured here. Specific installation guidance will be available with the product on delivery and on our website fisherpaykel.com

ACCESSORIES



CONTEMPORARY

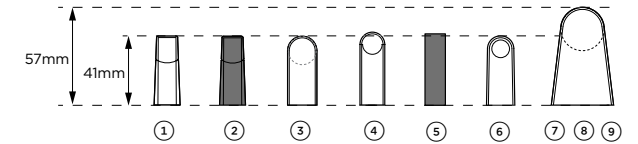


MINIMAL

CLASSIC



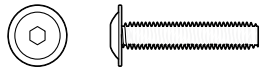
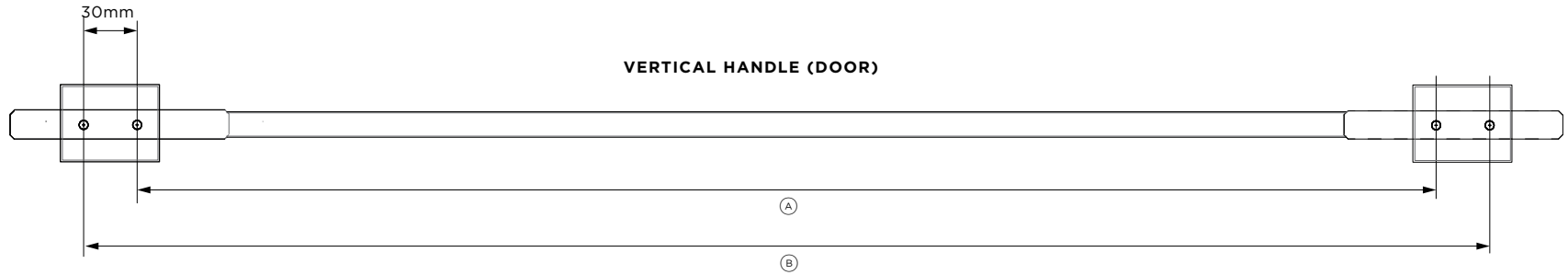
PROFESSIONAL ROUND



PROFILES

HANDLE	FINISH	SINGLE DOOR MODELS	61CM REFRIGERATOR FREEZER	76CM REFRIGERATOR FREEZER	91CM REFRIGERATOR FREEZER	91CM FRENCH DOOR
① Contemporary Square Fine	Aluminium	AHD5RDSF	AHD5RD6121W	AHD5RD7621W	AHD5RD9121W	
② Contemporary Square Fine	Black	AHD5RDSFB	AHD5RD6121WB	AHD5RD7621WB	AHD5RD9121WB	
③ Contemporary Round	Aluminium	AHSRD84	AHSRD6121W	AHSRD7621W	AHSRD9121W	
④ Contemporary Silver	Brushed silver	AHD7RDSFX	AHD7RD6121WX	AHD7RD7621WX	AHD7RD9121WX	AHD7RD9121AX
⑤ Minimal Black	Black	AHM1RDSFB	AHM1RD6121WB	AHM1RD7621WB	AHM1RD9121WB	AHM1RD9121AB
⑥ Classic Handle	Aluminium	AHCLRDSF	AHCLRD6121W	AHCLRD7621W	AHCLRD9121W	
⑦ Professional Round	Aluminium handle and standoff	AHC-RD84	AHCRD6121W	AHCRD7621W	AHCRD9121W	AHCLRD9121A
⑧ Professional Round	Aluminium handle and brass standoff	AHP3RDSFBA	AHP3RD6121WBA	AHP3RD7621WBA	AHP3RD9121WBA	
⑨ Professional Round	Aluminium handle and dark copper standoff	AHP3RDSFDC	AHP3RD6121WBA	AHP3RD7621WDC	AHP3RD9121WDC	

The models shown in this Planning Guide may not be available in all markets and are subject to change at any time. Product specifications may vary from those shown. This Planning Guide should not be used as installation guidance for any product. Further information is required to safely and correctly install the products featured here. Specific installation guidance will be available with the product on delivery and on our website fisherpaykel.com



SOCKET SCREWS

M5 X 25mm Pan Head Socket Screw (4 per handle) suits standard 19mm panel. Thicker panels may require counterboring or longer screws.

SINGLE DOOR MODELS

Vertical handle	mm
Ⓐ Length between inner screws	712
Ⓑ Length between outer screws	773

61CM REFRIGERATOR FREEZER MODELS

Vertical Handle	mm
Ⓐ Length between inner screws	587
Ⓑ Length between outer screws	647
Horizontal Handle	
Ⓒ Length between inner screws	353
Ⓓ Length between outer screws	414
Ⓔ Overall length - Professional Round	367
Ⓕ Overall length - Contemporary	494

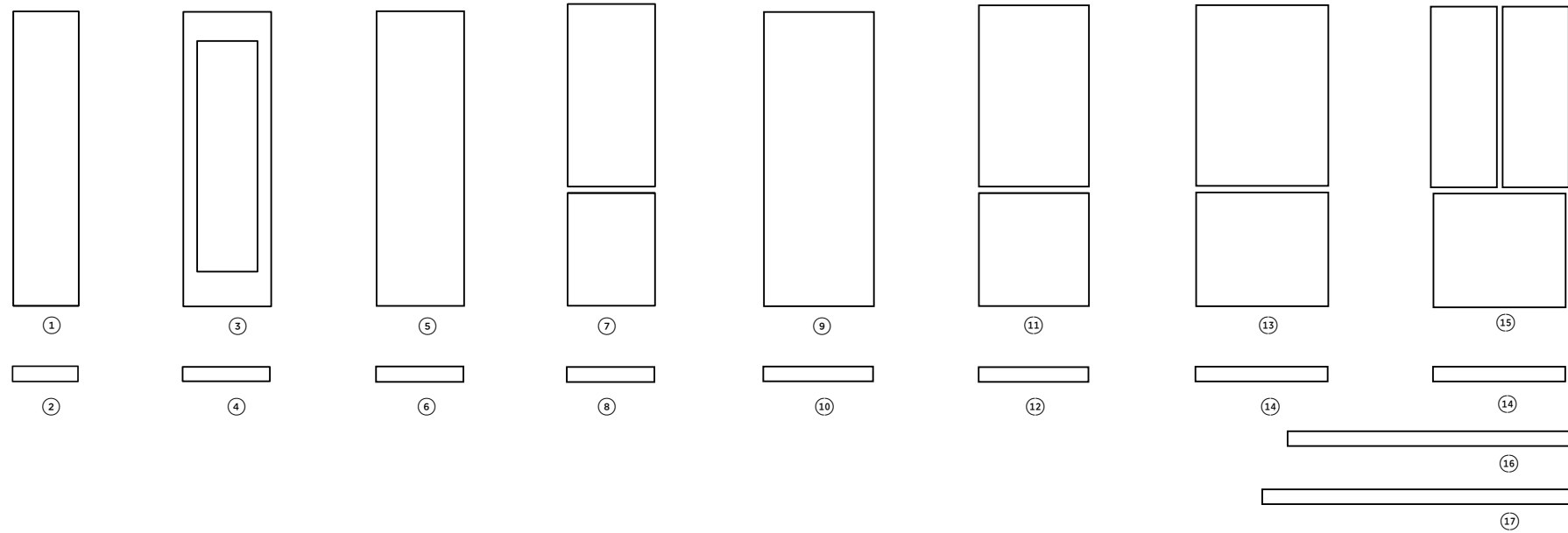
76CM REFRIGERATOR FREEZER MODELS

Vertical Handle	mm
Ⓐ Length between inner screws	587
Ⓑ Length between outer screws	647
Horizontal Handle	
Ⓒ Length between inner screws	506
Ⓓ Length between outer screws	566
Ⓔ Overall length - Professional Round	580
Ⓕ Overall length - Contemporary	646

91CM REFRIGERATOR FREEZER MODELS

Vertical Handle	mm
Ⓐ Length between inner screws	587
Ⓑ Length between outer screws	647
Horizontal Handle	
Ⓒ Length between inner screws	658
Ⓓ Length between outer screws	718
Ⓔ Overall length - Professional Round	748
Ⓕ Overall length - Contemporary	798

The models shown in this Planning Guide may not be available in all markets and are subject to change at any time. Product specifications may vary from those shown. This Planning Guide should not be used as installation guidance for any product. Further information is required to safely and correctly install the products featured here. Specific installation guidance will be available with the product on delivery and on our website fisherpaykel.com



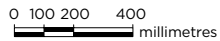
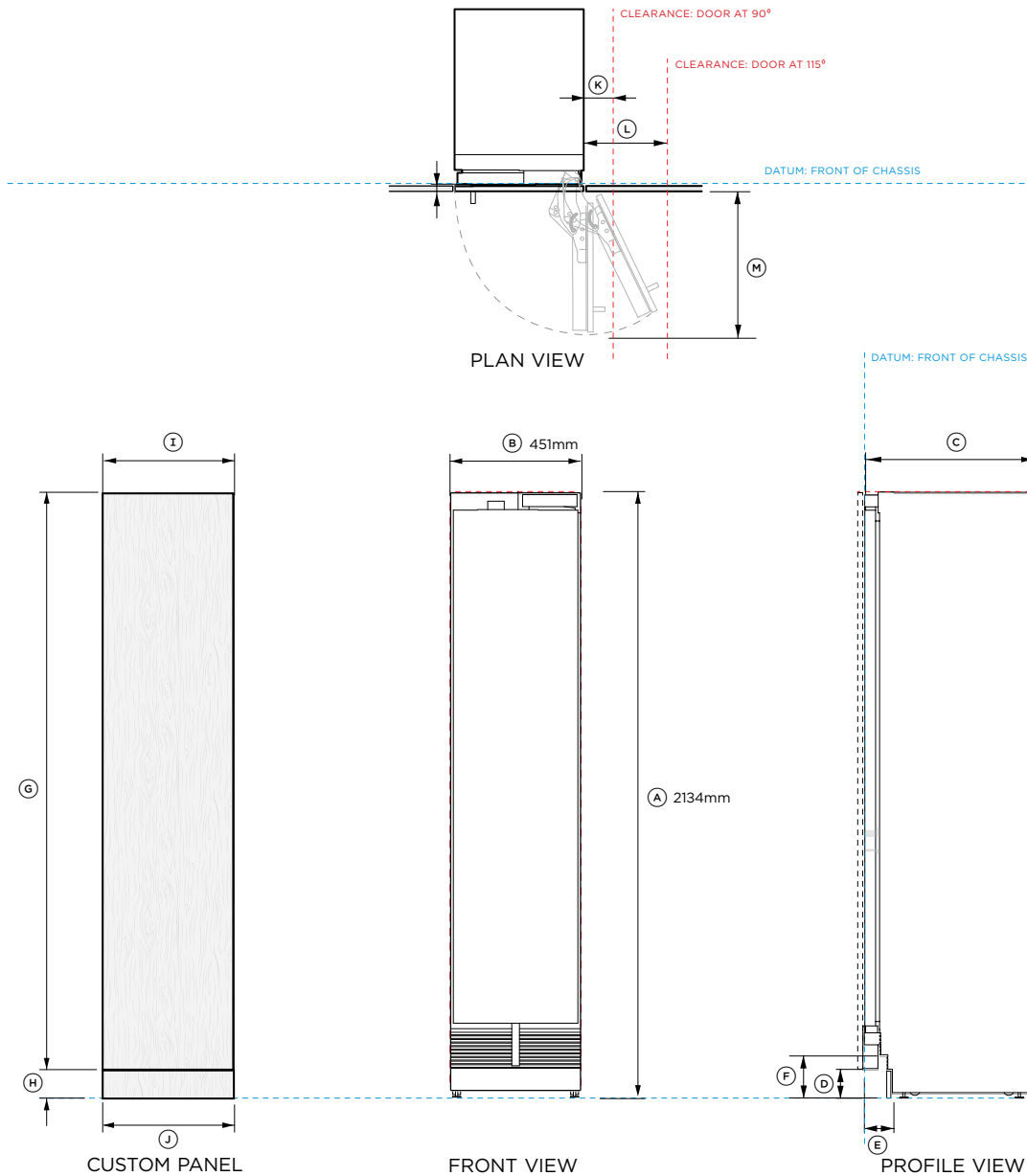
PRODUCT	PANEL MODELS	
	LEFT HINGE	RIGHT HINGE
① 46cm Freezer with Ice	RD4621L10D	RD4621R10D
③ 61cm Wine cabinet	RD6121VL4	RD6121VR4
⑤ 61cm Single door models	RD6121L10D	RD6121R10D
⑦ 61cm Refrigerator-Freezer	RD6121WLD	RD6121WRD
⑨ 76cm Single door models	RD7621L10D	RD7621R10D
⑪ 76cm Refrigerator-Freezer	RD7621WLD	RD7621WRD
⑬ 91cm Refrigerator-Freezer	RD9121WLD	RD9121WRD
⑮ 91cm Integrated french door Refrigerator-Freezer	RD9121AD	

TOE KICK PANEL		
SINGLE	DOUBLE	TRIPLE
② AKRS04610	N/A	N/A
④ AKRS06110	AKRS12210	AKRS18310
⑥ AKRS06110	AKRS12210	AKRS18310
⑧ AKRS06110	AKRS12210	AKRS18310
⑩ AKRS7610	AKRS15210	N/A
⑫ AKRS7610	AKRS15210	N/A
⑭ AKRS09110	AKRS7204	N/A

TOE KICK PANEL FOR MULTIPLE MODELS	
MODEL	CONFIGURATIONS
⑬ AKRS19810	61cm + 61cm + 76cm (1980mm)
	46cm + 76cm + 76cm (1980mm)
⑰ AKRS21310	61cm + 76cm + 76cm (2130mm)
	61cm + 61cm + 91cm (2130mm)

The models shown in this Planning Guide may not be available in all markets and are subject to change at any time. Product specifications may vary from those shown. This Planning Guide should not be used as installation guidance for any product. Further information is required to safely and correctly install the products featured here. Specific installation guidance will be available with the product on delivery and on our website fisherpaykel.com

DATA SHEETS



Model no:
RS4621FRJE1, RS4621FLJE1 46cm Freezer
Shown with:
 Custom Door Panel (stainless steel panel optional)

Product Dimensions	mm
(A) Overall height of chassis	2134
(B) Overall width of chassis	451
(C) Overall depth of chassis (excluding door panel)	610
(D) Floor to bottom of door	102
(E) Depth of toe kick*	73 - 102
(F) Height of toe kick - chassis	152
(G) Minimum height of custom door panel	2029
(H) Height of custom toe kick panel	51 - 152
(I) Minimum width of custom door panel	
Single	451
Dual/multiple panel	453
(J) Minimum width of custom toe kick - Single	454

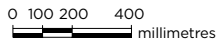
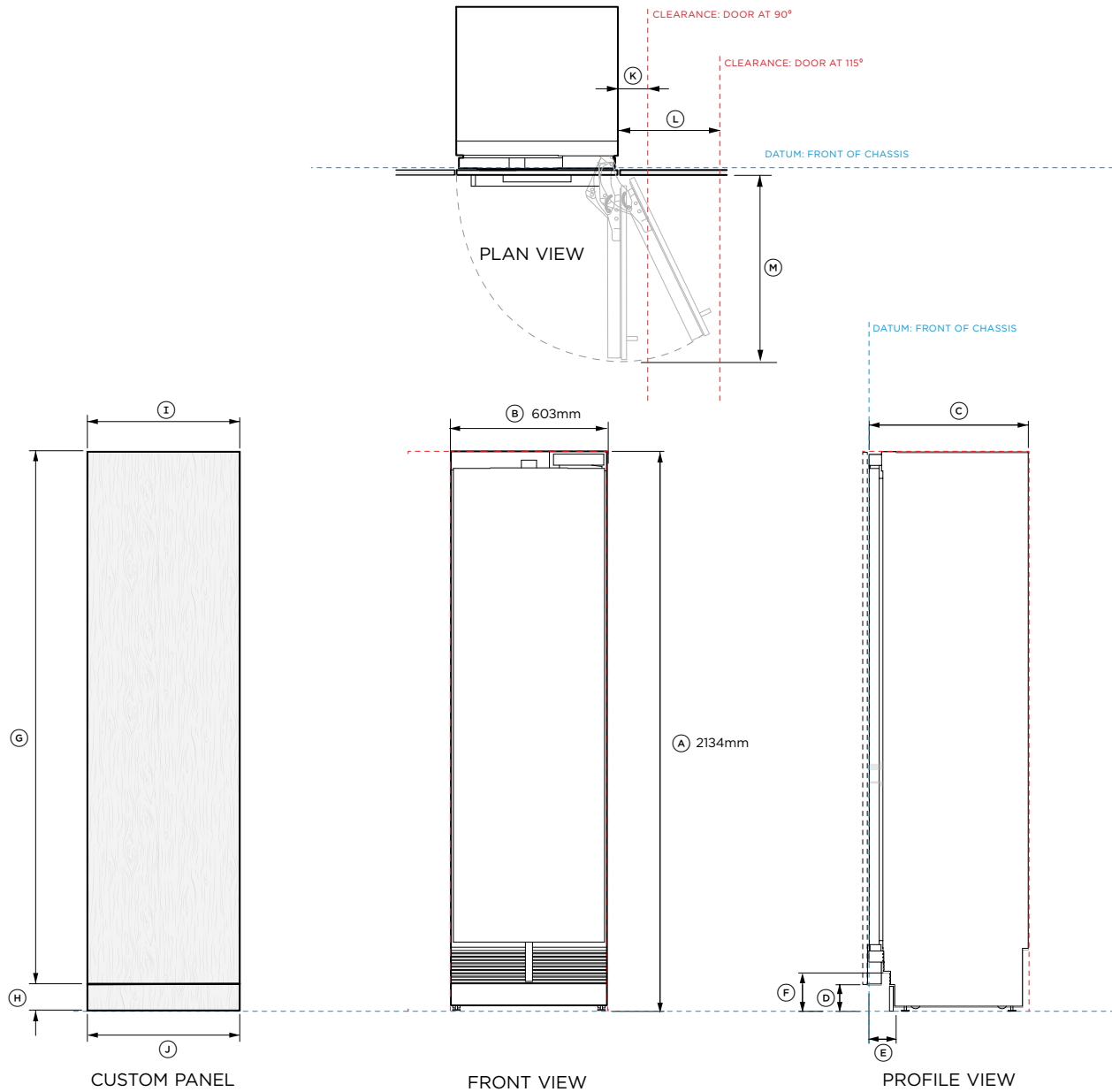
Door/Drawer Opening Dimensions	mm
(K) Minimum door clearance** to adjacent wall (90° - reduced internal access)	119
(L) Minimum door clearance** to adjacent wall* (115° - full internal access)	292
(M) Depth of door measured from front of door panel (90° open)	508

Minimum Clearances	mm
Minimum panel gap clearance	3
Overall height of cavity	2134
Overall width of cavity (single)	457
Overall width of cavity (dual)	915
Minimum overall depth (shallow) of cavity when services are located outside of cavity***	635
Minimum overall depth (deep) of cavity when services are located at rear of cavity***	650

* Assumes 19mm panel thickness
 ** 100mm tall stainless steel toe kick panel available. Adjust the height of the door panel accordingly.

----- INDICATES CABINETRY / PRODUCT DATUM
 - - - - - INDICATES CABINETRY CLEARANCES
 - INDICATES CUTOUT

IMPORTANT NOTE: Throughout this guide, dimensions may vary by ±2mm (1/16"). Please read the installation manual for detailed information on installing the product. For full installation instructions & specifications visit fisherpaykel.com



Model no:
RS6121SRHE1, RS6121SLHE1, RS6121FRJE1, RS6121FLJE1
Shown with:
 Custom Door Panel (stainless steel panel optional)

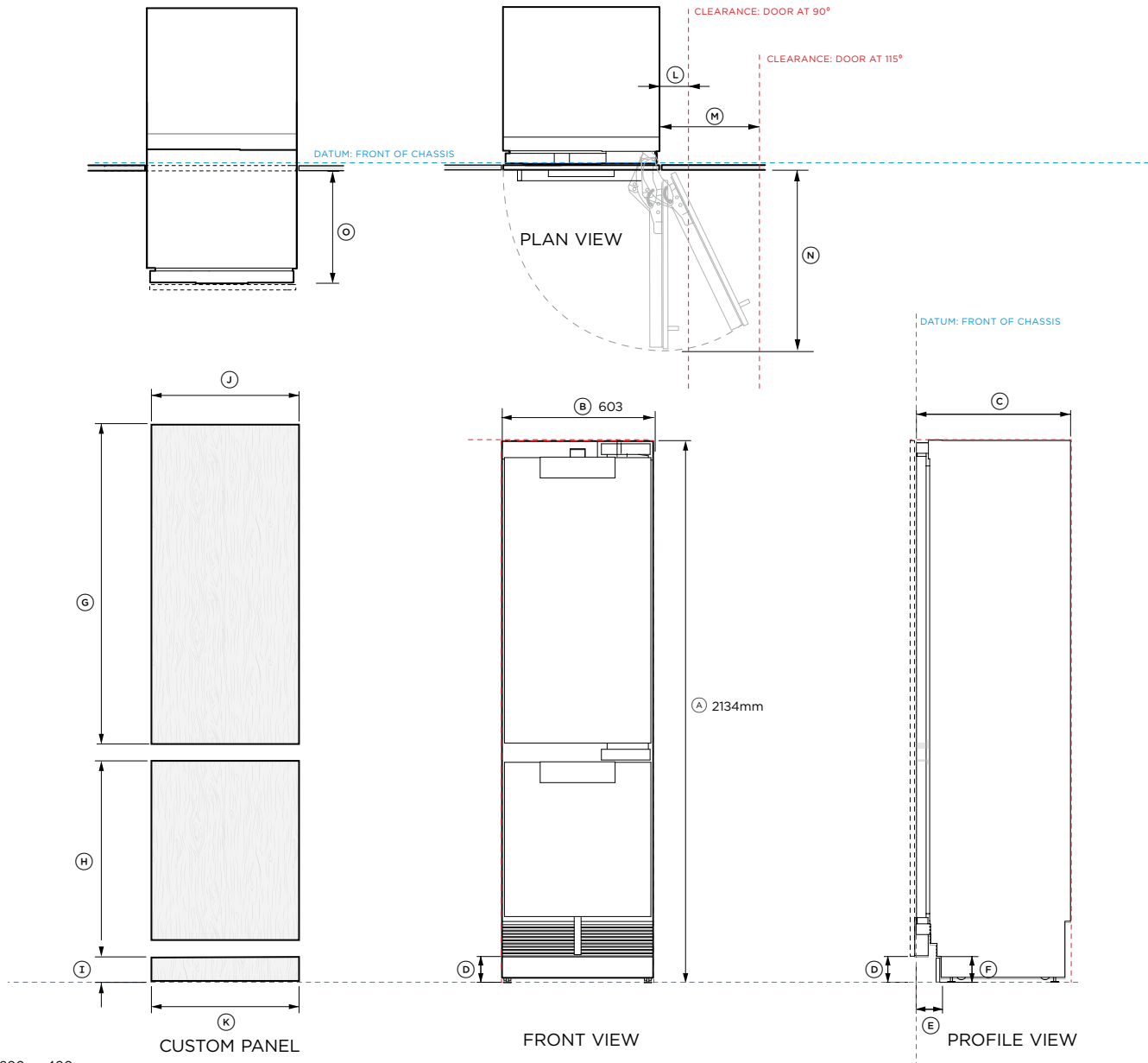
Product Dimensions	mm
(A) Overall height of chassis	2134
(B) Overall width of chassis	603
(C) Overall depth of chassis (excluding door panel)	610
(D) Floor to bottom of door	102
(E) Depth of toe kick*	73 - 102
(F) Height of toe kick - chassis	152
(G) Minimum height of custom door panel	2029
(H) Height of toe kick panel	51 - 152
(I) Minimum width of custom door and drawer panel	
Single	603
Dual/multiple panel	605
(J) Minimum width of toe kick panel - single	606
Door/Drawer Opening Dimensions	mm
(K) Minimum door clearance** to adjacent wall (90° - reduced internal access)	119
(L) Minimum door clearance** to adjacent wall* (115° - full internal access)	356
(M) Depth of door measured from front of door panel (90° open)	660

Minimum Clearances	mm
Minimum panel gap clearance	3
Overall height of cavity	2134
Overall width of cavity (single)	609
Overall width of cavity (dual)	1219
Minimum overall depth (shallow) of cavity when services are located outside of cavity***	635
Minimum overall depth (deep) of cavity when services are located at rear of cavity***	650

* Assumes 19mm panel thickness
 ** 100mm tall stainless steel toe kick panel available. Adjust the height of the door panel accordingly.

----- INDICATES CABINETRY / PRODUCT DATUM
 - - - - - INDICATES CABINETRY CLEARANCES
 - · - · - INDICATES CUTOUT

IMPORTANT NOTE: Throughout this guide, dimensions may vary by ±2mm (1/16"). Please read the installation manual for detailed information on installing the product. For full installation instructions & specifications visit fisherpaykel.com



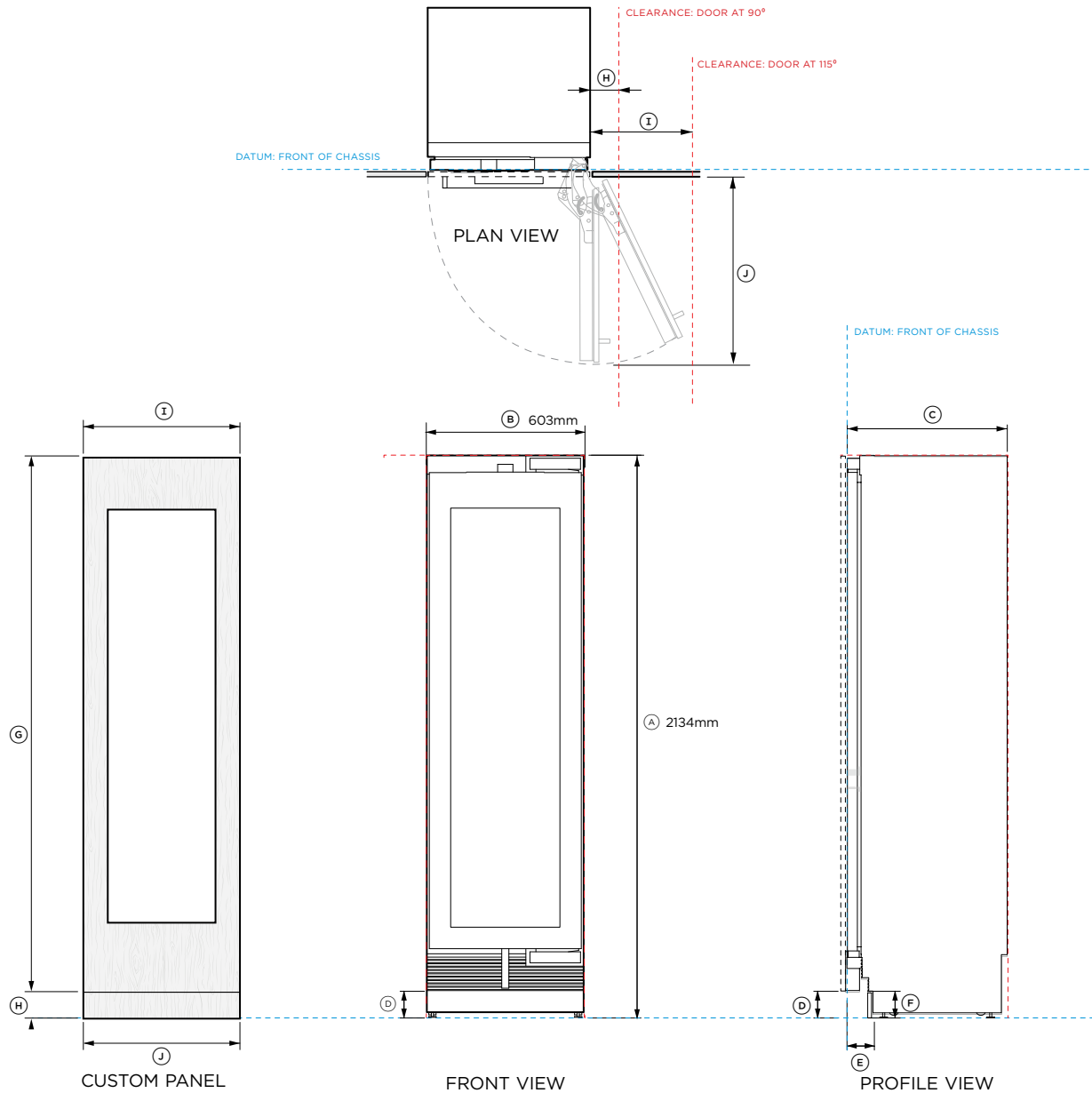
Model no:
RS6121WRUE1, RS6121WLUE1
Shown with:
 Custom Door Panel (stainless steel panel optional)

Product Dimensions	mm
Ⓐ Overall height of chassis	2134
Ⓑ Overall width of chassis	603
Ⓒ Overall depth of chassis (excluding door panel)	610
Ⓓ Floor to bottom of door	102
Ⓔ Depth of toe kick*	73 - 102
Ⓕ Height of toe kick - chassis	152
Ⓖ Minimum height of custom door panel	1254
Ⓗ Minimum height of custom drawer panel	771
Ⓙ Height of toe kick panel	51 - 152
Ⓝ Minimum width of door panel	
Single	603
Dual/multiple panel	605
Ⓚ Minimum width of toe kick - Single	606
Door/Drawer Opening Dimensions	mm
Ⓛ Minimum door clearance** to adjacent wall (90° - reduced internal access)	119
Ⓜ Minimum door clearance** to adjacent wall* (115° - full internal access)	356
Ⓝ Depth of door measured from front of door panel (90° open)	660
Ⓞ Depth of open drawer	400

Minimum Clearances	mm
Minimum panel gap clearance	3
Overall height of cavity	2134
Overall width of cavity (single)	609
Overall width of cavity (dual)	1219
Minimum overall depth (shallow) of cavity when services are located outside of cavity***	635
Minimum overall depth (deep) of cavity when services are located at rear of cavity***	650

* Assumes 19mm panel thickness
 ** 100mm tall stainless steel toe kick panel available. Adjust the height of the door panel accordingly.
 - - - - - INDICATES CABINETRY / PRODUCT DATUM
 - - - - - INDICATES CABINETRY CLEARANCES
 - - - - - INDICATES CUTOUT

IMPORTANT NOTE: Throughout this guide, dimensions may vary by ±2mm (1/16"). Please read the installation manual for detailed information on installing the product. For full installation instructions & specifications visit fisherpaykel.com



Model no:

RS6121VL2K1, RS6121VR2K1

Shown with:

Custom Door Panel (stainless steel panel optional)

Product Dimensions

	mm
(A) Overall height of chassis	2134
(B) Overall width of chassis	603
(C) Overall depth of chassis (excluding door panel)	610
(D) Floor to bottom of door	102
(E) Depth of toe kick*	73 - 102
(F) Height of toe kick - chassis	152
(G) Minimum height of custom door panel	2029
(H) Height of custom toe kick panel	51 - 152
(I) Minimum width of door panel	
Single	603
Dual/multiple panel	605
(J) Minimum width of toe kick - Single	606

Door/Drawer Opening Dimensions

	mm
(K) Minimum door clearance** to adjacent wall (90° - reduced internal access)	119
(L) Minimum door clearance** to adjacent wall* (115° - full internal access)	356
(M) Depth of door measured from front of door panel (90° open)	660

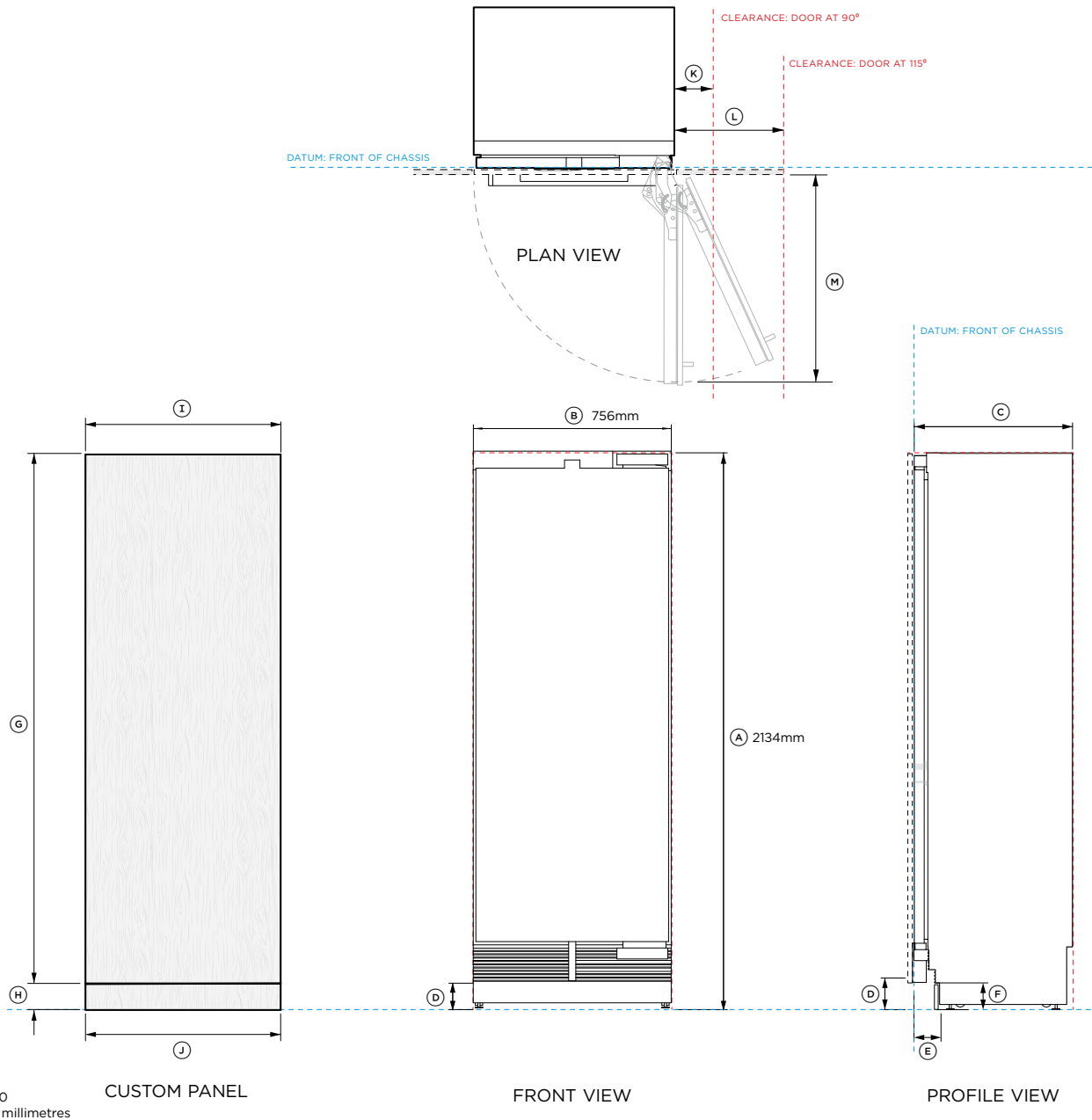
Minimum Clearances

	mm
Minimum panel gap clearance	3
Overall height of cavity	2134
Overall width of cavity (single)	609
Overall width of cavity (dual)	1219
Minimum overall depth (shallow) of cavity when services are located outside of cavity***	635
Minimum overall depth (deep) of cavity when services are located at rear of cavity***	650

* Assumes 19mm panel thickness
 ** 100mm tall stainless steel toe kick panel available. Adjust the height of the door panel accordingly.

----- INDICATES CABINETRY / PRODUCT DATUM
 - - - - - INDICATES CABINETRY CLEARANCES
 - · - · - INDICATES CUTOUT

IMPORTANT NOTE: Throughout this guide, dimensions may vary by ±2mm (1/16"). Please read the installation manual for detailed information on installing the product. For full installation instructions & specifications visit fisherpaykel.com



Model no:

RS7621SRHE1, RS7621SLHE1, RS7621FRJE1, RS7621FLJE1

Shown with:

Custom Door Panel (stainless steel panel optional)

Product Dimensions

	mm
(A) Overall height of chassis	2134
(B) Overall width of chassis	756
(C) Overall depth of chassis (excluding door panel)	610
(D) Floor to bottom of door	102
(E) Depth of toe kick*	73 - 102
(F) Height of toe kick - chassis	152
(G) Minimum height of custom door panel	2029
(H) Height of custom toe kick panel	51 - 152
(I) Minimum width of door panel	
Single	756
Dual/multiple panel	758
(J) Minimum width of toe kick - Single	759

Door/Drawer Opening Dimensions

	mm
(K) Minimum door clearance** to adjacent wall (90° - reduced internal access)	119
(L) Minimum door clearance** to adjacent wall* (115° - full internal access)	419
(M) Depth of door measured from front of door panel (90° open)	813

Minimum Clearances

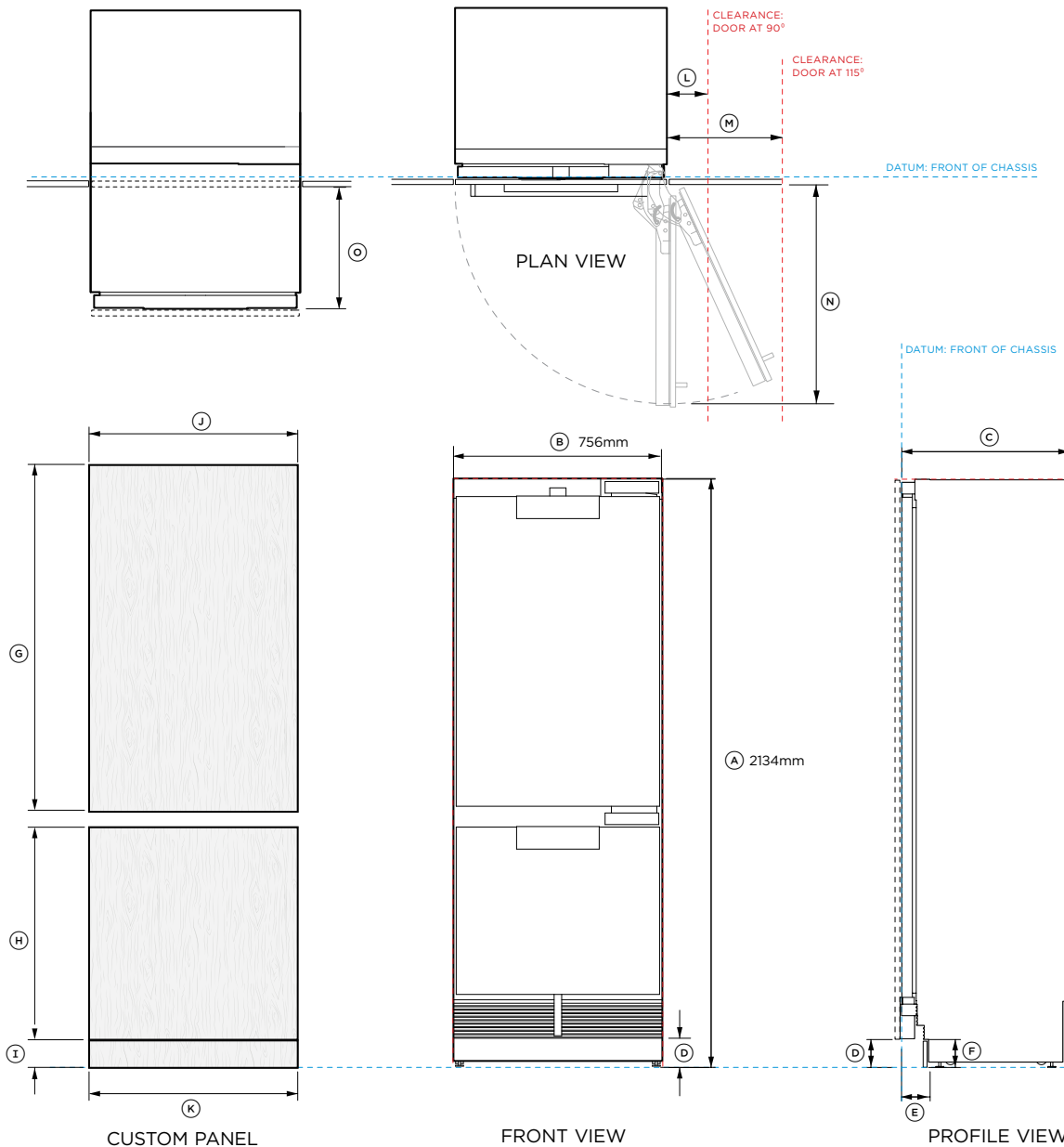
	mm
Minimum panel gap clearance	3
Overall height of cavity	2134
Overall width of cavity (single)	762
Overall width of cavity (dual)	1525
Minimum overall depth (shallow) of cavity when services are located outside of cavity***	635
Minimum overall depth (deep) of cavity when services are located at rear of cavity***	650

* Assumes 19mm panel thickness

** 100mm tall stainless steel toe kick panel available. Adjust the height of the door panel accordingly.

----- INDICATES CABINETRY / PRODUCT DATUM
 - - - - - INDICATES CABINETRY CLEARANCES
 - · - · - INDICATES CUTOUT

IMPORTANT NOTE: Throughout this guide, dimensions may vary by ±2mm (1/16"). Please read the installation manual for detailed information on installing the product. For full installation instructions & specifications visit fisherpaykel.com



Model no:

RS7621WRUE1, RS7621WLUE1

Shown with:

Custom Door Panel (stainless steel panel optional)

Product Dimensions

	mm
(A) Overall height of chassis	2134
(B) Overall width of chassis	756
(C) Overall depth of chassis (excluding door panel)	610
(D) Floor to bottom of door	102
(E) Depth of toe kick*	73 - 102
(F) Height of toe kick - chassis	152
(G) Minimum height of custom door panel	1254
(H) Minimum height of custom drawer panel	771
(I) Height of custom toe kick panel	51 - 152
(J) Minimum width of door panel	
Single	756
Dual/multiple panel	758
(K) Minimum width of toe kick - Single	759

Door/Drawer Opening Dimensions

	mm
(L) Minimum door clearance** to adjacent wall (90° - reduced internal access)	119
(M) Minimum door clearance** to adjacent wall* (115° - full internal access)	419
(N) Depth of door measured from front of door panel (90° open)	813
(O) Depth of open drawer	400

Minimum Clearances

	mm
Minimum panel gap clearance	3
Overall height of cavity	2134
Overall width of cavity (single)	762
Overall width of cavity (dual)	1525
Minimum overall depth (shallow) of cavity when services are located outside of cavity***	635
Minimum overall depth (deep) of cavity when services are located at rear of cavity***	650

* Assumes 19mm panel thickness
 ** 100mm tall stainless steel toe kick panel available. Adjust the height of the door panel accordingly.

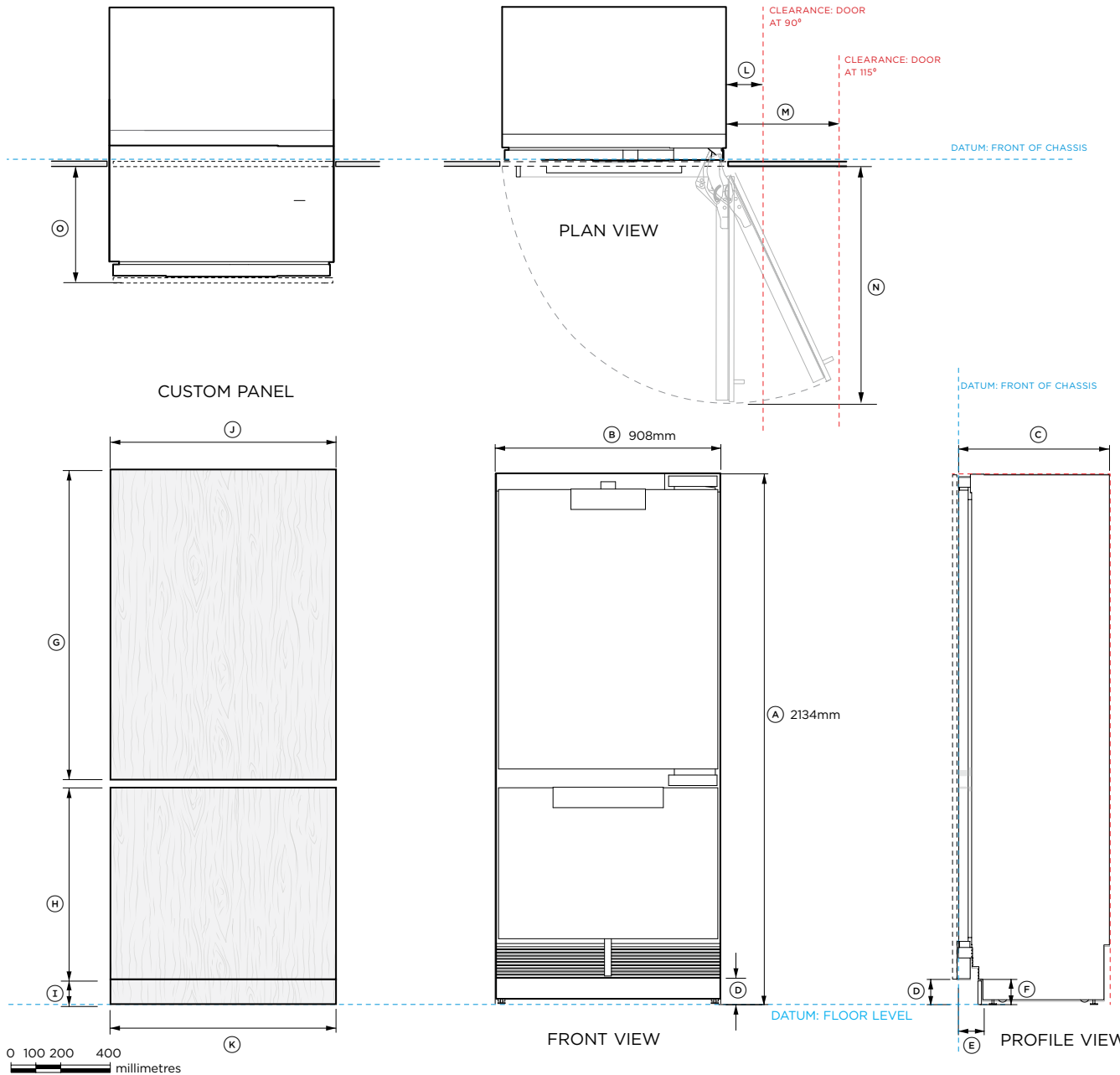
--- INDICATES CABINETRY / PRODUCT DATUM

--- INDICATES CABINETRY CLEARANCES

--- INDICATES CUTOUT

IMPORTANT NOTE: Throughout this guide, dimensions may vary by ±2mm (1/16"). Please read the installation manual for detailed information on installing the product. For full installation instructions & specifications visit fisherpaykel.com





Model no:

RS9121WRUVE1, RS9121WLUVE1

Shown with:

Custom Door Panel (stainless steel panel optional)

Product Dimensions

	mm
(A) Overall height of chassis	2134
(B) Overall width of chassis	908
(C) Overall depth of chassis (excluding door panel)	610
(D) Floor to bottom of door	102
(E) Depth of toe kick*	73 - 102
(F) Height of toe kick - chassis	152
(G) Minimum height of custom door panel	1254
(H) Minimum height of custom drawer panel	771
(I) Height of custom toe kick panel	51 - 152
(J) Minimum width of door and drawer panel	
Single	908
Dual/multiple panel	910

(K) Minimum width of toe kick - Single

911

Door/Drawer Opening Dimensions

	mm
(L) Minimum door clearance** to adjacent wall (90° - reduced internal access)	119
(M) Minimum door clearance** to adjacent wall* (115° - full internal access)	527
(N) Depth of door measured from front of door panel (90° open)	967
(O) Depth of open drawer	400

Minimum Clearances

	mm
Minimum panel gap clearance	3
Overall height of cavity	2134
Overall width of cavity (single)	914
Overall width of cavity (dual)	1829
Minimum overall depth (shallow) of cavity when services are located outside of cavity***	635
Minimum overall depth (deep) of cavity when services are located at rear of cavity***	650

* Assumes 19mm panel thickness

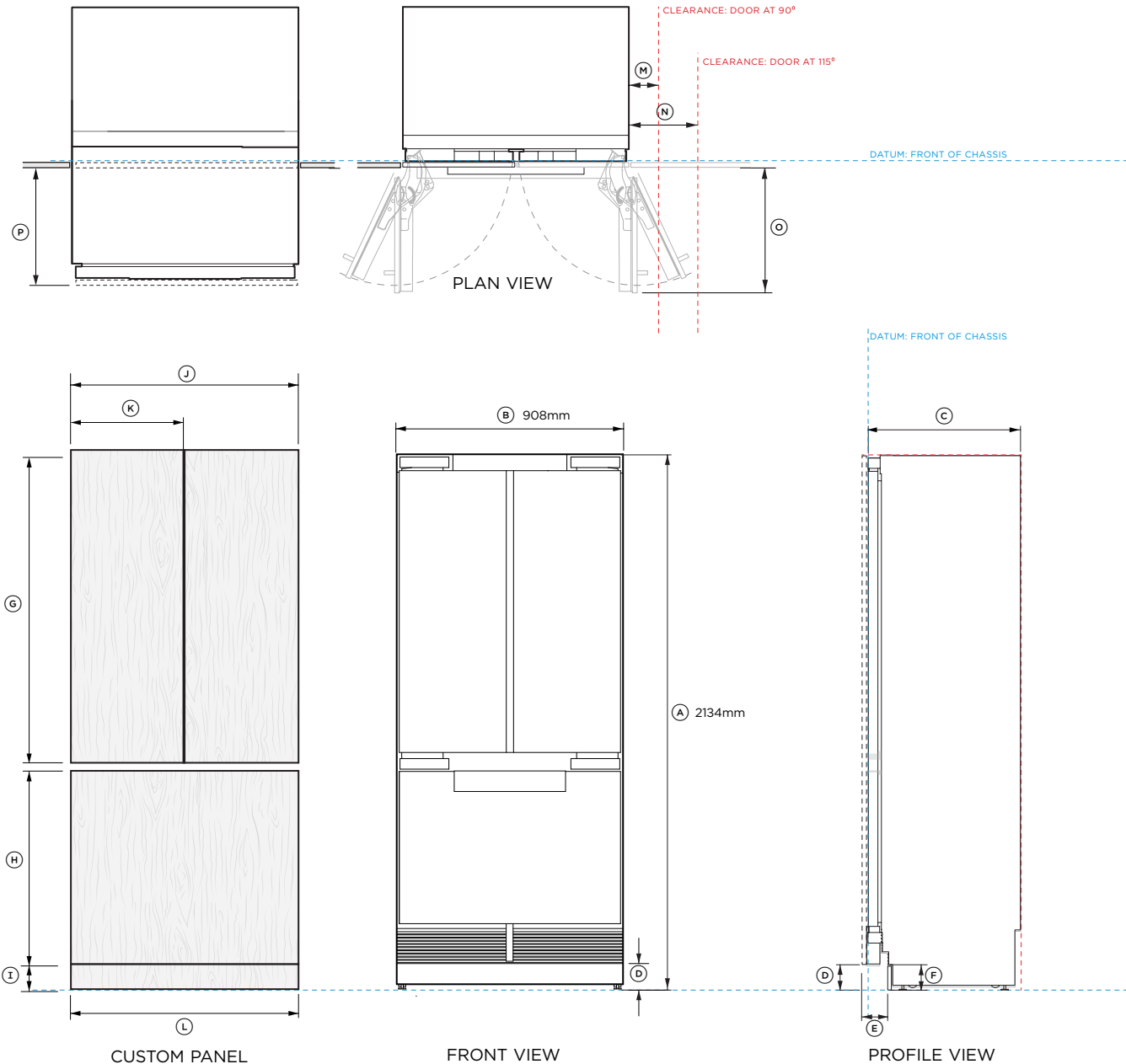
** 100mm tall stainless steel toe kick panel available. Adjust the height of the door panel accordingly.

--- INDICATES CABINETRY / PRODUCT DATUM

--- INDICATES CABINETRY CLEARANCES

--- INDICATES CUTOUT

IMPORTANT NOTE: Throughout this guide, dimensions may vary by ±2mm (1/16"). Please read the installation manual for detailed information on installing the product. For full installation instructions & specifications visit fisherpaykel.com



Model no: RS9121AUVE1

Shown with: Custom Door Panel (stainless steel panel optional)

Product Dimensions	mm
(A) Overall height of chassis	2134
(B) Overall width of chassis	908
(C) Overall depth of chassis (excluding door panel)	610
(D) Floor to bottom of door	102
(E) Depth of toe kick*	73 - 102
(F) Height of toe kick - chassis	152
(G) Minimum height of door panel	1254
(H) Minimum height of drawer panel	771
(I) Height of custom toe kick panel	51 - 152
(J) Minimum width of drawer panel	
Single	908
Dual/multiple panel	910
(K) Minimum width of door panels	
Single	452
Dual/multiple panel	453
(L) Minimum width of toe kick - Single	911
Door/Drawer Opening Dimensions	mm
(M) Minimum door clearance** to adjacent wall (90° - reduced internal access)	119
(N) Minimum door clearance** to adjacent wall* (115° - full internal access)	311
(O) Depth of door measured from front of door panel (90° open)	575
(P) Depth of open drawer	400

Minimum Clearances	mm
Minimum panel gap clearance	3
Overall height of cavity	2134
Overall width of cavity (single)	914
Overall width of cavity (dual)	1829
Minimum overall depth (shallow) of cavity when services are located outside of cavity***	635
Minimum overall depth (deep) of cavity when services are located at rear of cavity***	650

* Assumes 19mm panel thickness
 ** 100mm tall stainless steel toe kick panel available. Adjust the height of the door panel accordingly.

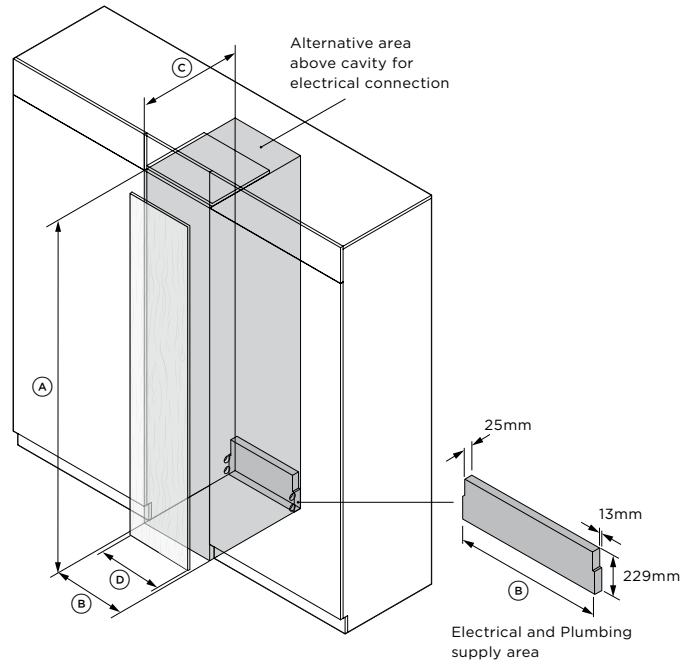
--- INDICATES CABINETRY / PRODUCT DATUM
 - - - INDICATES CABINETRY CLEARANCES
 - - - INDICATES CUTOUT

IMPORTANT NOTE: Throughout this guide, dimensions may vary by ±2mm (1/16"). Please read the installation manual for detailed information on installing the product. For full installation instructions & specifications visit fisherpaykel.com

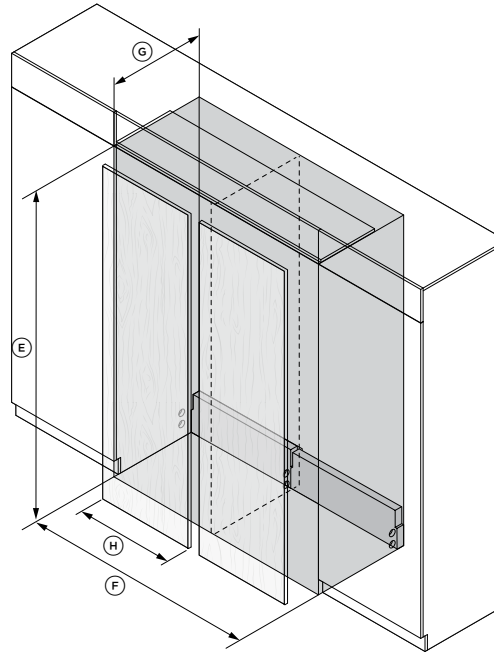
PLANNING CONSIDERATIONS

SPECIFICATION GUIDE | CAVITY SPECIFICATIONS

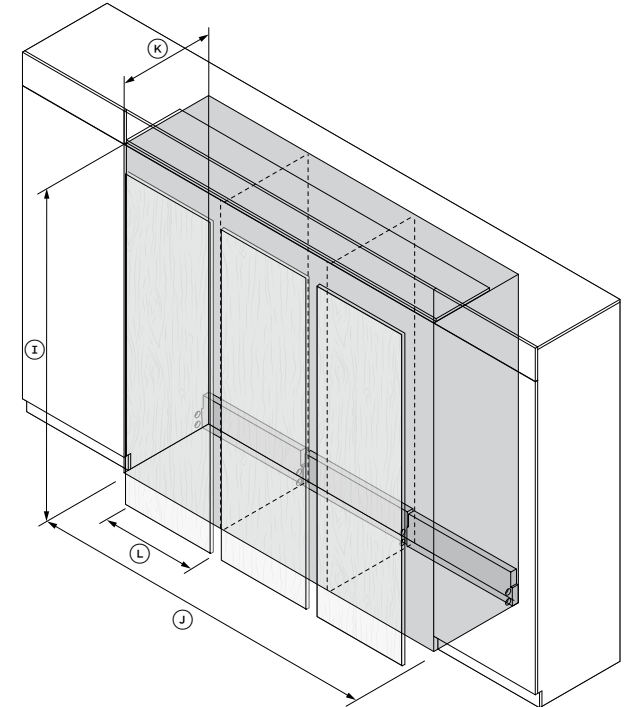
SINGLE INSTALLATION



DUAL INSTALLATION



TRIPLE INSTALLATION



SINGLE CAVITY DIMENSIONS	46cm	61cm	76cm	91cm
	mm	mm	mm	mm
Ⓐ Overall height of cavity	2134	2134	2134	2134
Ⓑ Overall width of cavity	457	609	762	914
Ⓒ Minimum overall depth of cavity* (services located at rear of cavity)	650	650	650	650
Minimum overall depth of cavity* (services located outside of cavity)	635	635	635	635
Ⓓ Custom door panel widths**	451	603	756	908 (RS9121W) 452.5 (RS9121A)

DUAL CAVITY DIMENSIONS	46cm	61cm	76cm	91cm
	mm	mm	mm	mm
Ⓔ Overall height of cavity	2134	2134	2134	2134
Ⓕ Overall width of cavity	915	1219	1525	1829
Ⓖ Minimum overall depth of cavity* (services located at rear of cavity)	650	650	650	650
Minimum overall depth of cavity* (services located outside of cavity)	635	635	635	635
Ⓗ Custom door panel widths**	453	605	758	910 (RS9121W) 453.5 (RS9121A)

TRIPLE CAVITY DIMENSIONS	46cm	61cm	76cm
	mm	mm	mm
Ⓘ Overall height of cavity	2134	2134	2134
Ⓙ Overall width of cavity	1371	1829	2286
Ⓚ Minimum overall depth of cavity* (services located at rear of cavity)	650	650	650
Minimum overall depth of cavity* (services located outside of cavity)	635	635	635
Ⓛ Custom door panel widths**	453	605	758

*A 3mm minimum gap is required between custom panels and adjacent cabinetry. If overlaying panels to hide the cavity spacer, allow for extra panel width.

** Cavity depth assumes 19mm thick panels. If overlaying panels to hide the cavity spacer, add extra panel width.

NOTE: A finished return of 102mm is required for framed cabinetry in the cavity. The maximum amount of appliances per cavity is three.

The models shown in this Planning Guide may not be available in all markets and are subject to change at any time. Product specifications may vary from those shown. This Planning Guide should not be used as installation guidance for any product. Further information is required to safely and correctly install the products featured here. Specific installation guidance will be available with the product on delivery and on our website fisherpaykel.com

SPECIFICATION GUIDE | DOOR SWING CLEARANCES

DOOR CLEARANCES

46cm Model

90° OPENING DOOR CLEARANCES **mm**

(A) Minimum door clearance to adjacent wall 119

(B) Maximum door opening depth 508

115° OPENING DOOR CLEARANCES

(C) Minimum door clearance to adjacent wall 292

61cm Models

90° OPENING DOOR CLEARANCES **mm**

(A) Minimum door clearance to adjacent wall 119

(B) Maximum door opening depth 660

115° OPENING DOOR CLEARANCES

(C) Minimum door clearance to adjacent wall 356

76cm Models

90° OPENING DOOR CLEARANCES **mm**

(A) Minimum door clearance to adjacent wall 119

(B) Maximum door opening depth 813

115° OPENING DOOR CLEARANCES

(C) Minimum door clearance to adjacent wall 419

91cm Refrigerator Freezer

90° OPENING DOOR CLEARANCES **mm**

(A) Minimum door clearance to adjacent wall 119

(B) Maximum door opening depth 967

115° OPENING DOOR CLEARANCES

(C) Minimum door clearance to adjacent wall 527

91cm French Door Refrigerator Freezer

90° OPENING DOOR CLEARANCES **mm**

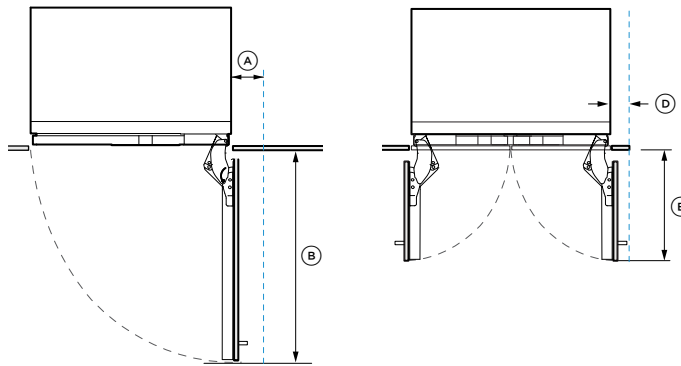
(D) Minimum door clearance to adjacent wall 119

(E) Maximum door opening depth 575

115° OPENING DOOR CLEARANCES

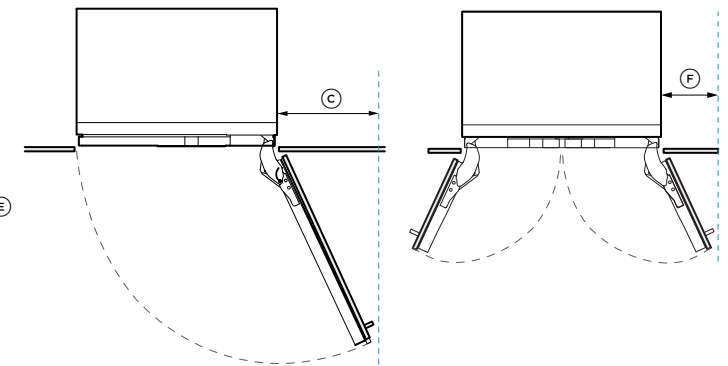
(F) Minimum door clearance to adjacent wall 311

90° INTERNAL ACCESS



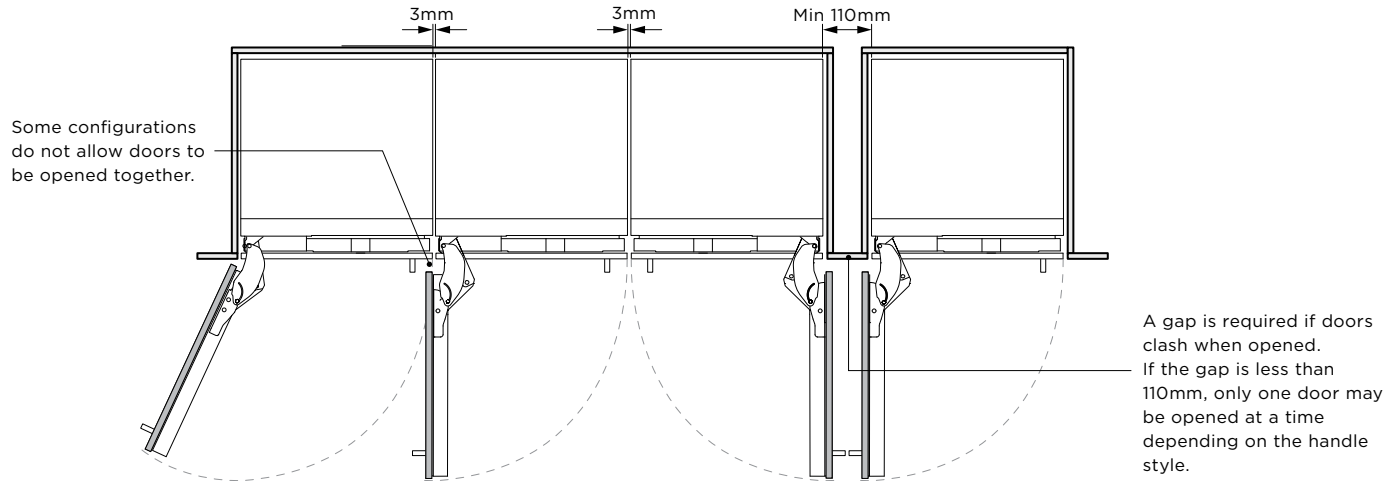
A hinge limiting pin can be installed to restrict door opening to 90° where necessary. Minimum dimensions shown are for a 41mm handle depth. Custom door panel and handle details need to be taken into account.

115° INTERNAL ACCESS



115° door opening - full internal access. Minimum dimensions shown are for a 41mm handle depth. Custom door panel and handle details need to be taken into account.

MULTIPLE INSTALLATION

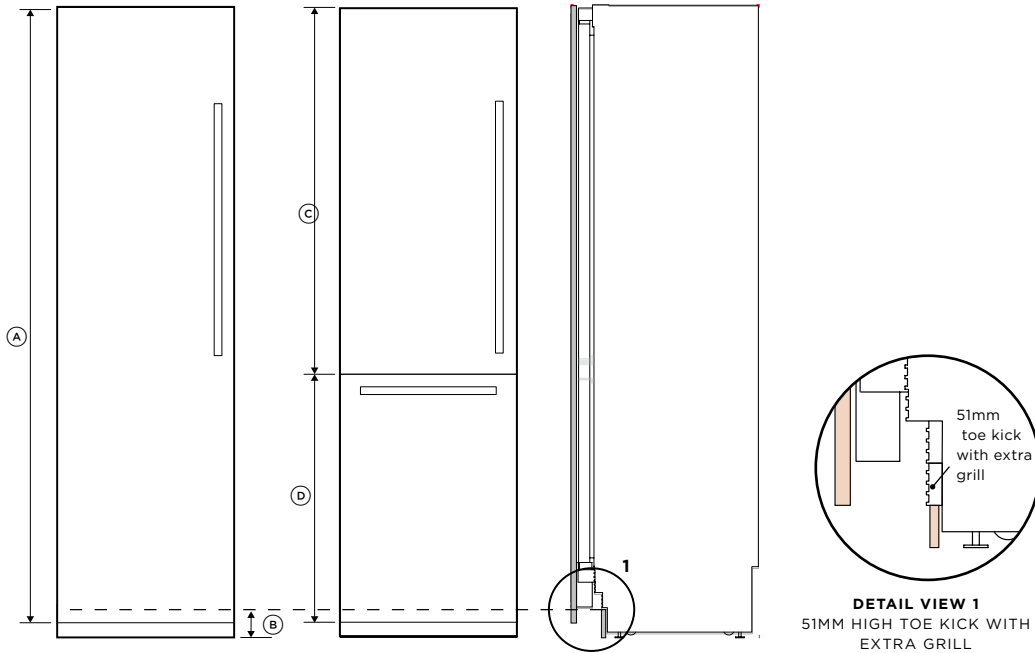


The models shown in this Planning Guide may not be available in all markets and are subject to change at any time. Product specifications may vary from those shown. This Planning Guide should not be used as installation guidance for any product. Further information is required to safely and correctly install the products featured here. Specific installation guidance will be available with the product on delivery and on our website fisherpaykel.com

SPECIFICATION GUIDE | CUSTOM TOE KICKS

LOW TOE KICK WITH EXTENDED PANEL

A 51mm high toe kick can be achieved by installing a 2080mm panel with an extra grill installed.



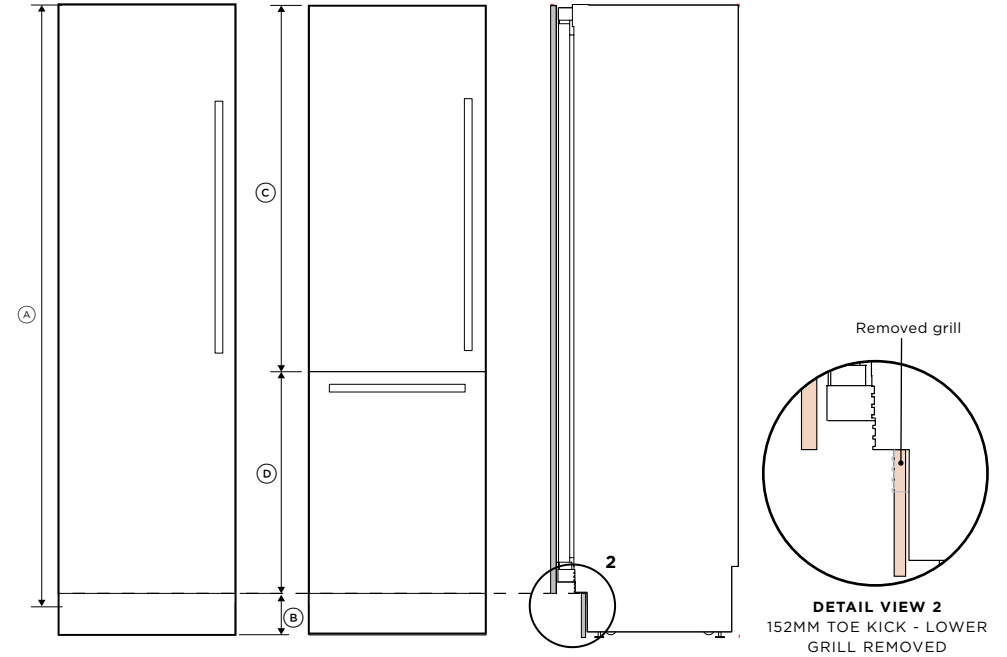
LOW TOE KICK PANEL DIMENSIONS

mm

Ⓐ Panel height - single door	2080
Ⓑ Toe kick height	51
Ⓒ Door panel height	1254
Ⓓ Drawer height	822

HIGH TOE KICK WITH REDUCED HEIGHT PANEL

A 152mm toe kick with a 1978mm high panel can be achieved by removing the lower grill and the airflow divider.



HIGH TOE KICK PANEL DIMENSIONS

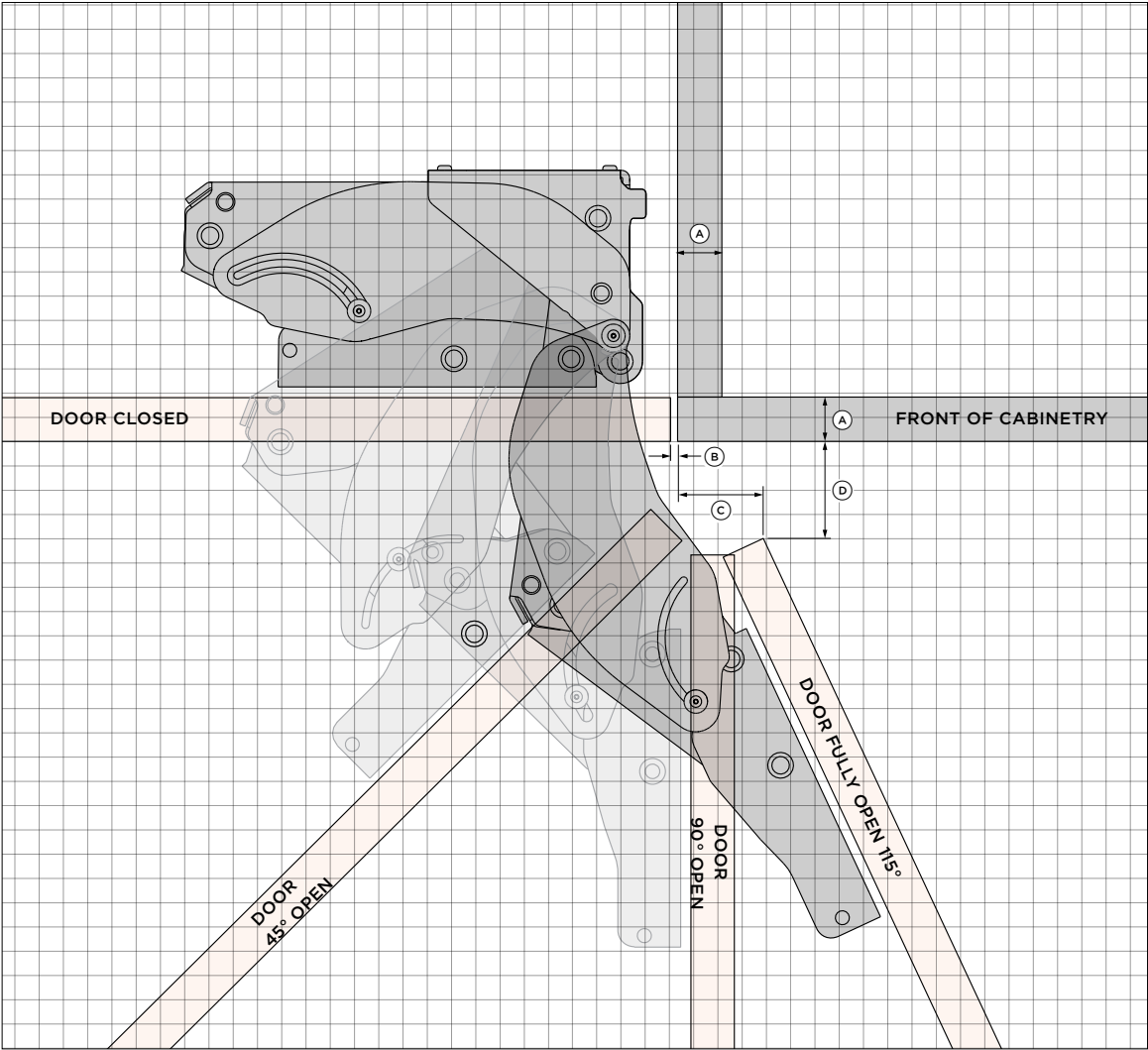
mm

Ⓐ Panel height - single door	1978
Ⓑ Toe kick height	152
Ⓒ Door panel height	1254
Ⓓ Drawer height	721

The models shown in this Planning Guide may not be available in all markets and are subject to change at any time. Product specifications may vary from those shown. This Planning Guide should not be used as installation guidance for any product. Further information is required to safely and correctly install the products featured here. Specific installation guidance will be available with the product on delivery and on our website fisherpaykel.com

HINGE ARTICULATION

DESIGN PLANNING | HINGE ARTICULATION



1 SQUARE = 10mm

TOP VIEW

DOOR HINGE - HETTICH K05

Left hand hinge models are a mirrored version of shown.

CUSTOM FRONT PANEL

- Ⓐ Panel thickness: 19mm.
- Ⓑ Gap between door and adjacent cabinetry: Min 3mm
- Ⓒ Gap between cabinet side and door at 115° open: 36mm
- Ⓓ Gap between adjacent cabinet and door at 115°: 42mm

WEIGHT LIMITS

SINGLE PANEL MODELS	MAXIMUM WEIGHT
RS462	Max 20kg
RS612	Max 25kg
RS612 Wine cabinet	Max 8kg
RS762	Max 30kg

REFRIGERATOR FREEZER MODELS	MAXIMUM WEIGHT
RS612 Top panel	Max 15kg
RS612 Bottom panel	Max 9kg
RS762 Top panel	Max 18kg
RS762 Bottom panel	Max 11kg
RS9121W Top panel	Max 21kg
RS9121W Bottom panel	Max 13.5kg

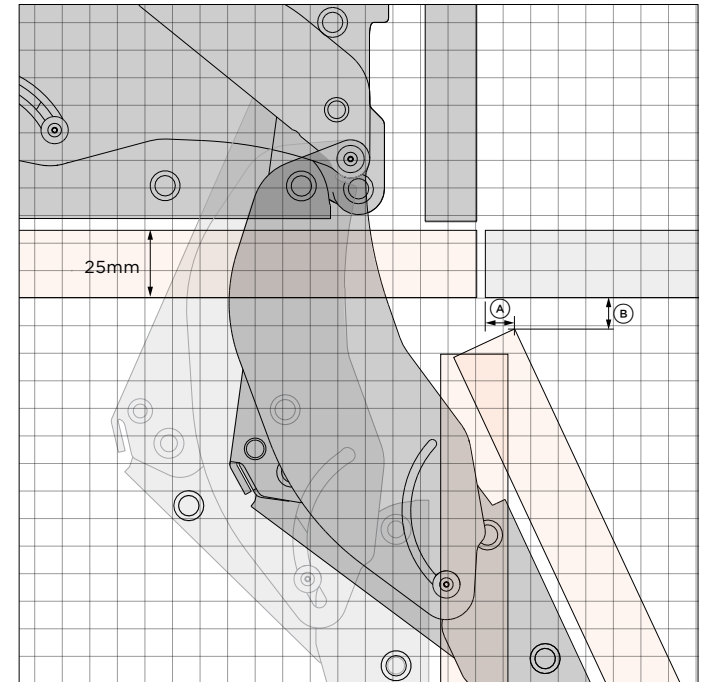
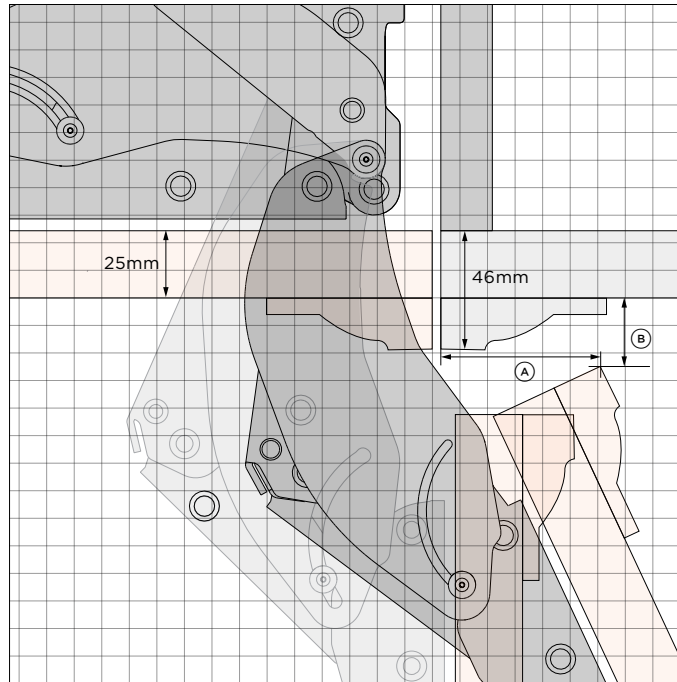
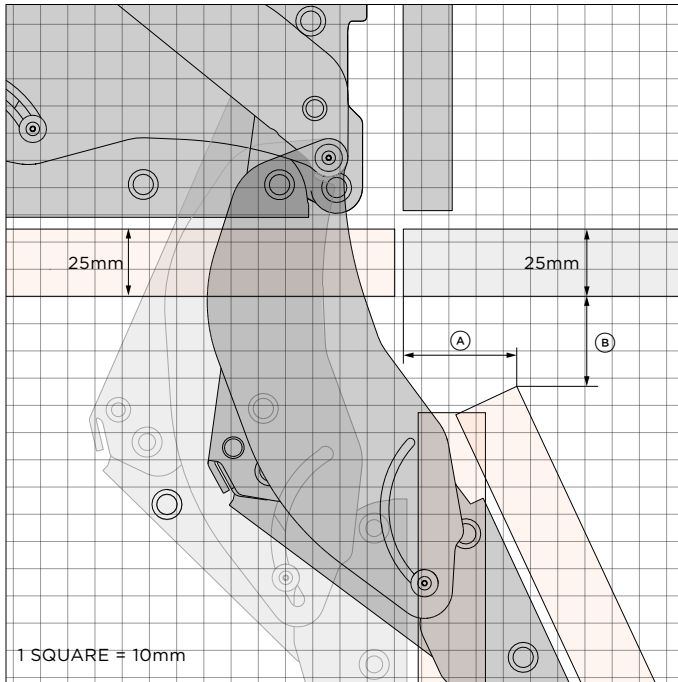
FRENCH DOOR REFRIGERATOR FREEZER	MAXIMUM WEIGHT
RS9121A Top panel left	Max 21kg
RS9121A Top panel right	Max 21kg
RS9121A Bottom panel	Max 13.5kg

Note: Door weight includes handle.

The models shown in this Planning Guide may not be available in all markets and are subject to change at any time. Product specifications may vary from those shown. This Planning Guide should not be used as installation guidance for any product. Further information is required to safely and correctly install the products featured here. Specific installation guidance will be available with the product on delivery and on our website fisherpaykel.com

SUPPORT

For additional design planning and installation support please contact the Fisher & Paykel design support team.
designsupport@fisherpaykel.com



25MM DOOR PANEL

- Ⓐ Door edge distance to cabinet side : 42mm
- Ⓑ Gap between door corner and adjacent cabinetry: 34mm

25MM DOOR PANEL WITH 19MM FRAMING

- Ⓐ Door edge distance to cabinet side : 60mm
- Ⓑ Gap between door corner and adjacent cabinetry: 26mm

25MM OVERLAY DOOR PANEL

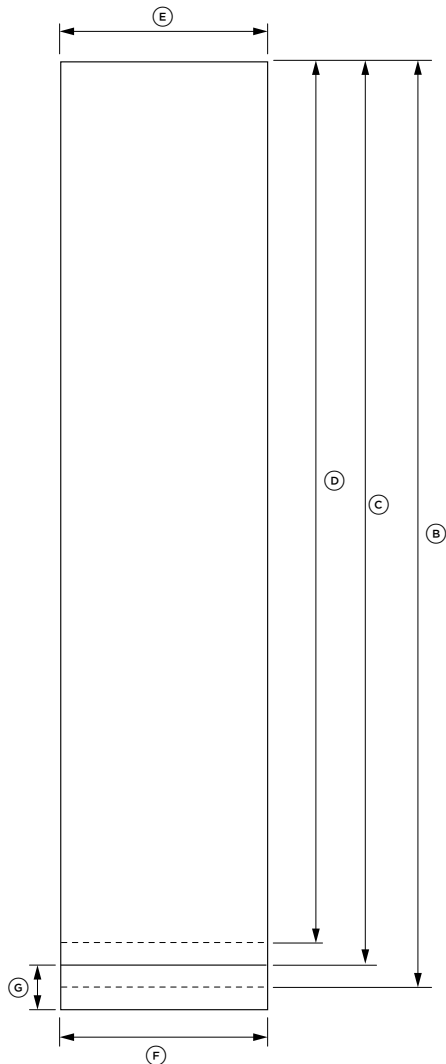
- Ⓐ Door edge distance to cabinet side : 14mm
- Ⓑ Gap between door corner and adjacent cabinetry: 12mm

NOTE: Panel widths must be adjusted for overlay panels.

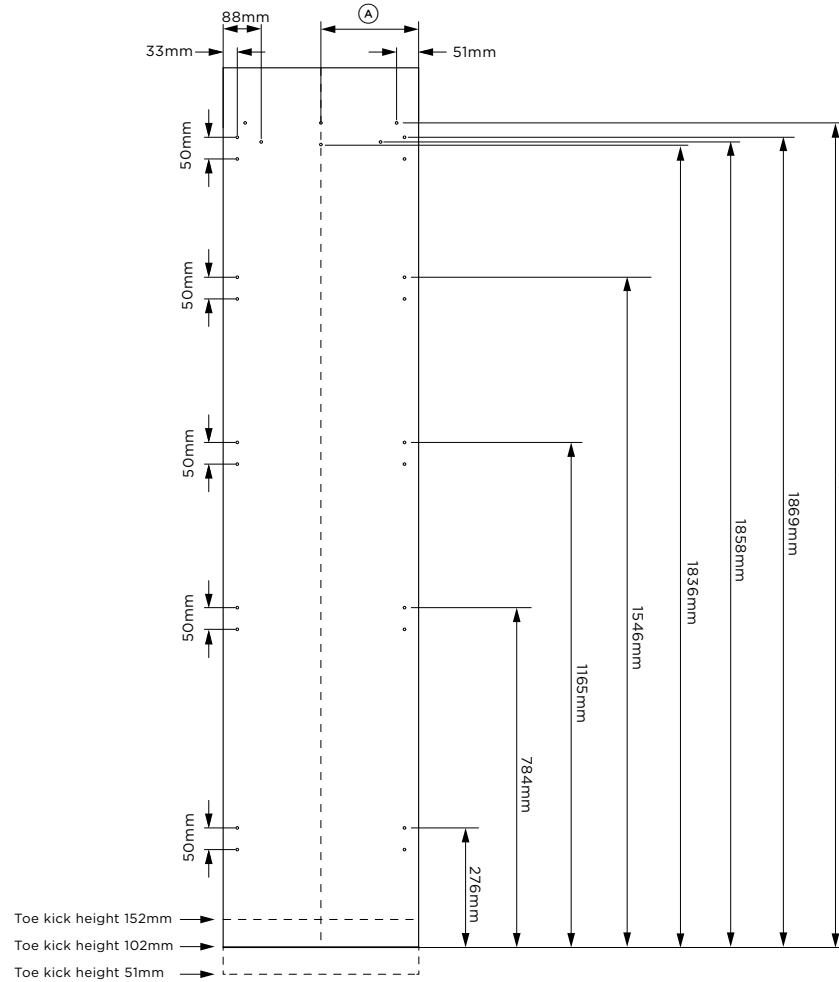
The models shown in this Planning Guide may not be available in all markets and are subject to change at any time. Product specifications may vary from those shown. This Planning Guide should not be used as installation guidance for any product. Further information is required to safely and correctly install the products featured here. Specific installation guidance will be available with the product on delivery and on our website fisherpaykel.com

CUSTOM PANEL PREPARATION

PANEL DIMENSIONS



MOUNTING HOLES



Model no:	
Freezer	RS4621FRJE1, RS4621FLJE1

Custom Panel Dimensions	mm
Ⓐ Centerline of panel	
RS4621 Single cavity	225.5
RS4621 Dual/triple cavity	226.5
Ⓑ Height of door panel (standard 102mm from floor)	2029
Ⓒ Height of door panel (51mm from floor)*	2080
Ⓓ Height of door panel (152mm from floor)*	1978
Ⓔ RS4621 Width of single panel	451
RS4621 Width of dual/multiple panels	453
Ⓕ RS4621 Width of toe kick	454
Ⓖ Toe kick height**	51-152
Panel thickness	min 19

Clearance Dimensions*	mm
Minimum cabinetry gap clearance from edge of door panel	3

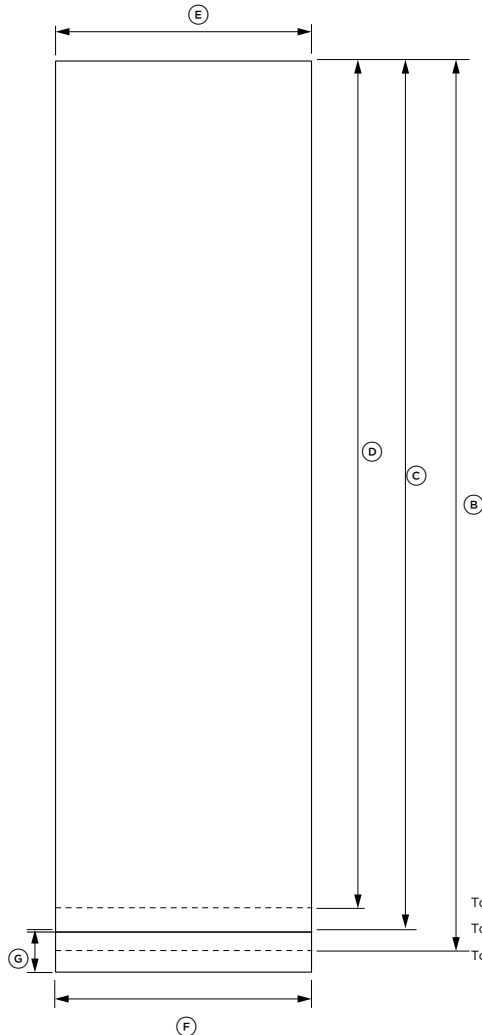
*Take into account non-standard panel heights when drilling mounting holes.
 **Toe kick can height can vary depending on panel height and ventilation.

Custom door panels, toe kick and handles to be manufactured / fitted by a cabinet maker.

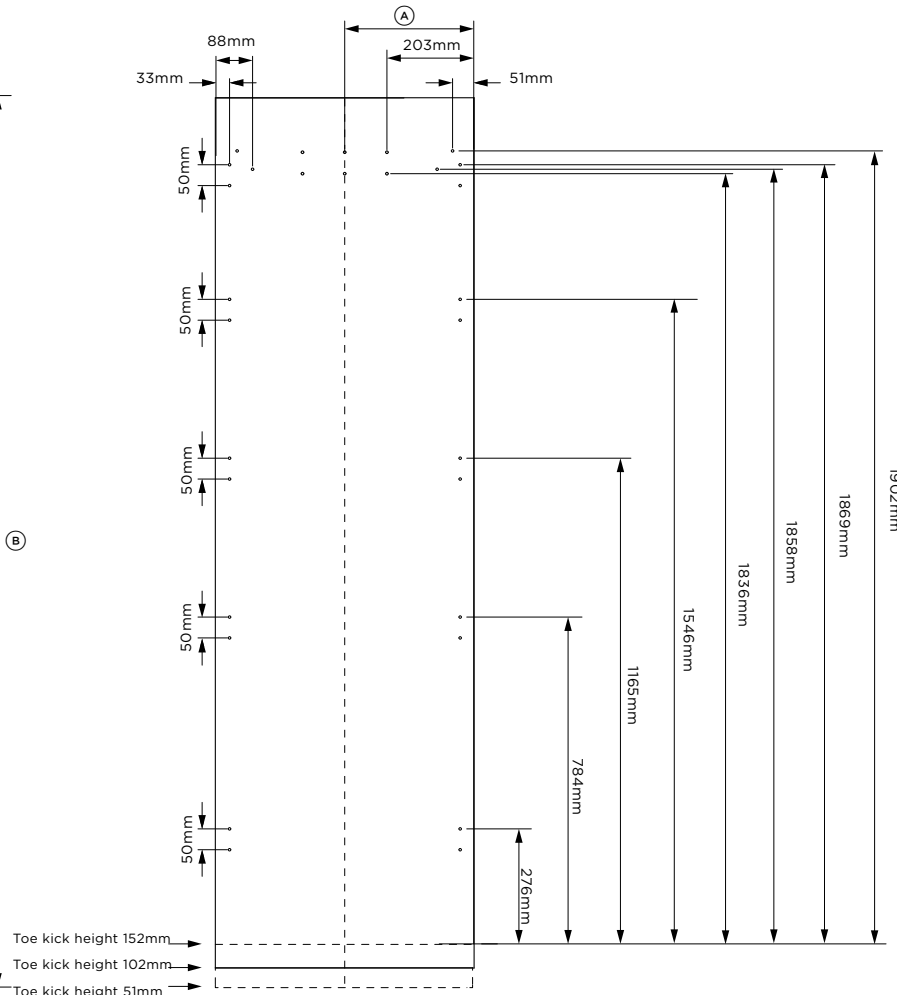
----- INDICATES CABINETRY / PRODUCT DATUM
 ----- INDICATES CABINETRY CLEARANCES
 ----- INDICATES CUTOUT

IMPORTANT NOTE: Throughout this guide, dimensions may vary by ±2mm (1/16"). Please read the installation manual for detailed information on installing the product. For full installation instructions & specifications visit fisherpaykel.com

PANEL DIMENSIONS



MOUNTING HOLES



Model no:

Single Door Models

RS6121SRHE1, RS6121SLHE1, RS6121FRJE1, RS6121FLJE1
RS7621SRHE1, RS7621SLHE1, RS7621FRJE1, RS7621FLJE1

Custom Panel Dimensions

	mm
(A) Centerline of panel	
RS6121 Single cavity	301.5
RS6121 Dual/triple cavity	302.5
RS7621 Single cavity	378
RS7621 Dual/triple cavity	379
(B) Height of door panel (standard 102mm from floor)	2029
(C) Height of door panel (51mm from floor)*	2080
(D) Height of door panel (152mm from floor)*	1978
(E) RS6121 Width of single panel	603
RS6121 Width of dual/multiple panels	605
RS7121 Width of single panel	756
RS7121 Width of dual/multiple panels	758
(F) RS6121 Width of toe kick	606
RS7621 Width of toe kick	759
(G) Toe kick height**	51-152
Panel thickness	min 19

Clearance Dimensions*

	mm
Minimum cabinetry gap clearance from edge of door panel	3

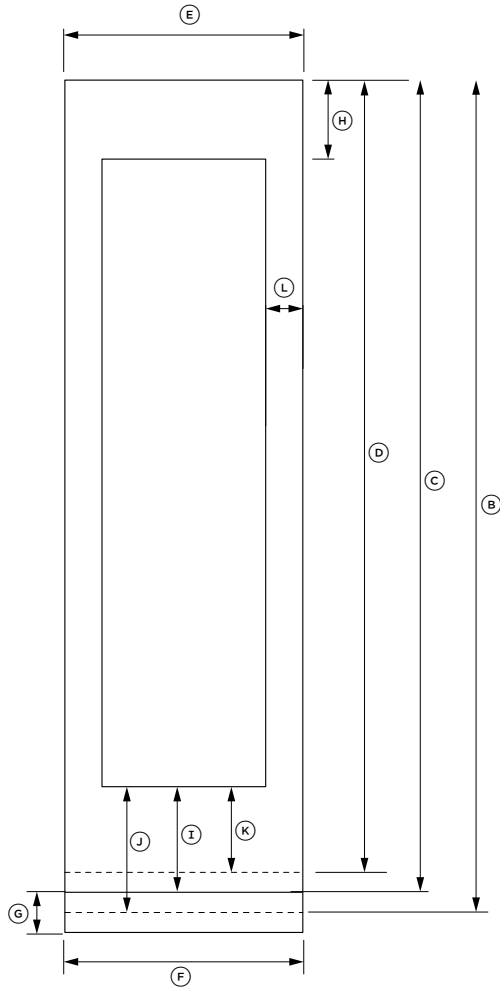
*Take into account non-standard panel heights when drilling mounting holes.
**Toe kick can height can vary depending on panel height and ventilation.

Custom door panels, toe kick and handles to be manufactured / fitted by a cabinet maker.

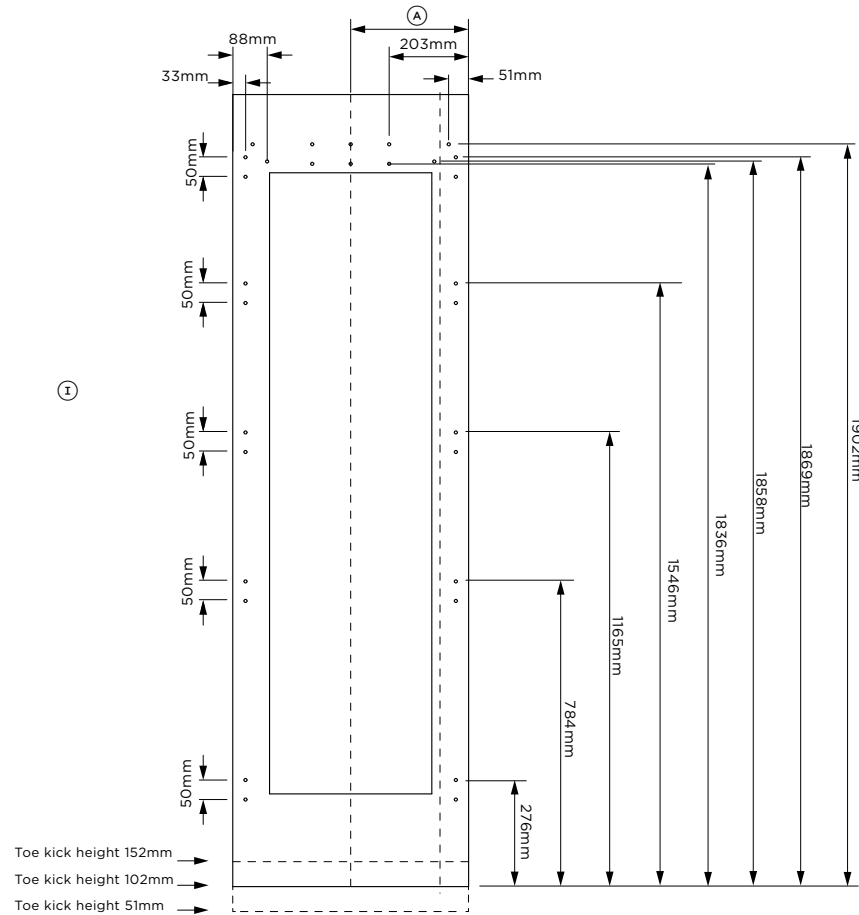
----- INDICATES CABINETRY / PRODUCT DATUM
- - - - - INDICATES CABINETRY CLEARANCES
- · - · - INDICATES CUTOUT

IMPORTANT NOTE: Throughout this guide, dimensions may vary by ±2mm (1/16"). Please read the installation manual for detailed information on installing the product. For full installation instructions & specifications visit fisherpaykel.com

PANEL DIMENSIONS



MOUNTING HOLES



Toe kick height 152mm
 Toe kick height 102mm
 Toe kick height 51mm

Model no:

**RS6121VL2K1,
 RS6121VR2K1**

Custom Panel Dimensions

	mm
A Centerline of panel - single cavity	301.5
Dual/triple cavity	302.5
B Height of door panel (standard 102mm from floor)	2029
C Height of door panel (51mm from floor)*	2080
D Height of door panel (152mm from floor)*	1978
E Width of single panel	603
Width of dual/multiple panels	605
F Width of toe kick	606
G Toe kick height**	51-152
H Height of top frame	200 - 302
I Height of lower frame (standard 102mm from floor)	240
J Height of lower frame (51mm from floor)	291
K Height of lower frame (152mm from floor)	189
L Width of side frames single install	94
Width of side frames dual/triple install	95
Panel thickness	min 19

Clearance Dimensions*

	mm
Minimum cabinetry gap clearance from edge of door panel	3

*Take into account non-standard panel heights when drilling mounting holes.
 **Toe kick can height can vary depending on panel height and ventilation.

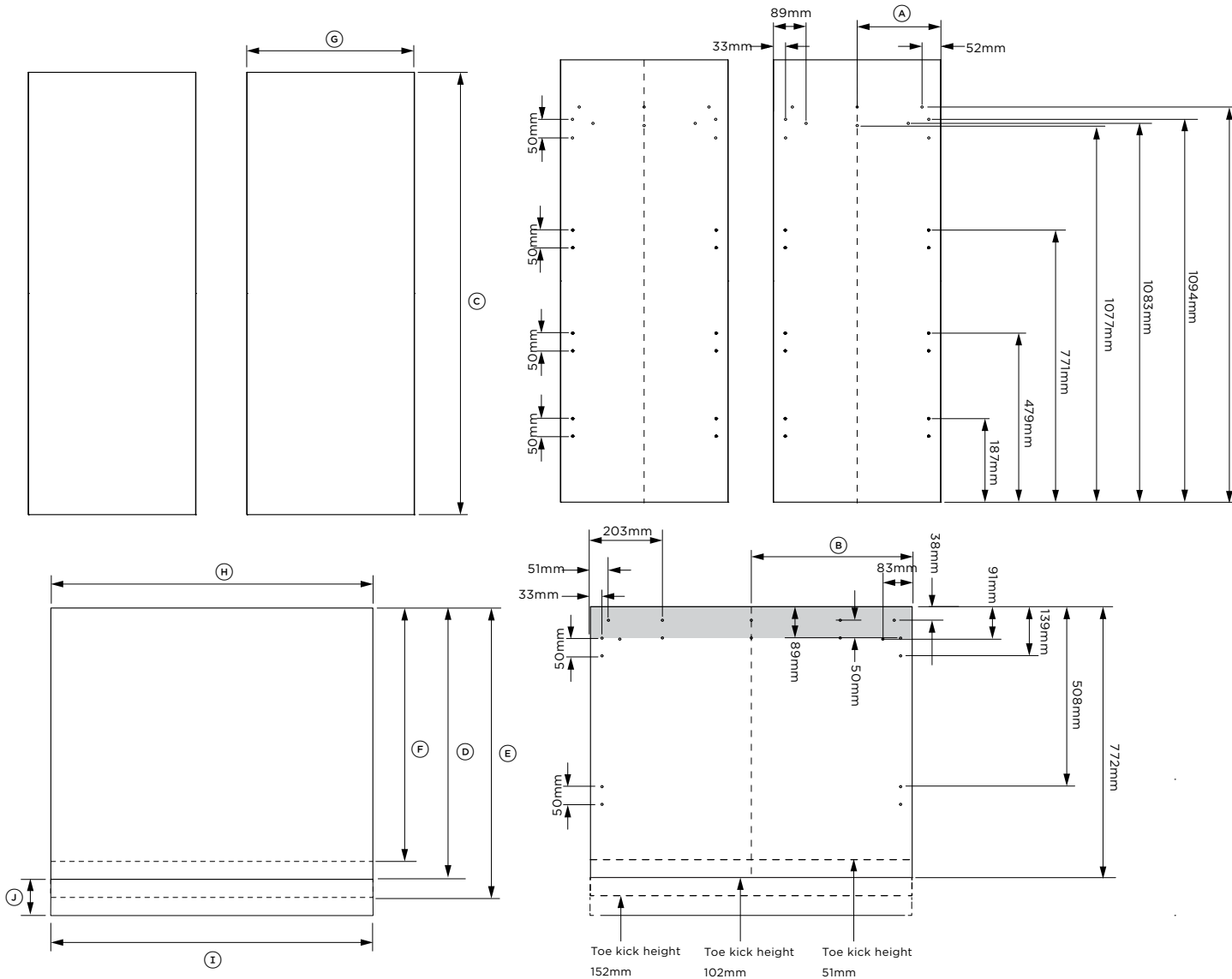
Custom door panels, toe kick and handles to be manufactured / fitted by a cabinet maker.

----- INDICATES CABINETRY / PRODUCT DATUM
 - - - - - INDICATES CABINETRY CLEARANCES
 - · - · - INDICATES CUTOUT

IMPORTANT NOTE: Throughout this guide, dimensions may vary by ±2mm (1/16"). Please read the installation manual for detailed information on installing the product. For full installation instructions & specifications visit fisherpaykel.com

PANEL DIMENSIONS

MOUNTING HOLES



Model no:

RS9121AUVE1

Custom Panel Dimensions

mm

Ⓐ	Centerline of door panel - single cavity	226
	Centerline of door panel - dual cavity	226.75
Ⓑ	Centerline of drawer panel - single cavity	454
	Centerline of drawer panel - dual cavity	455
Ⓒ	Height of door panel	1254
Ⓓ	Height of drawer panel (standard 102mm from floor)	772
Ⓔ	Height of drawer panel (51mm from floor)*	822
Ⓕ	Height of drawer panel (152mm from floor)*	721
Ⓖ	Width of single door panel - single cavity	452.5
	Width of single door panel - dual/triple cavity	453.5
Ⓗ	Width of single drawer panel	908
	Width of dual/triple drawer panel	910
Ⓘ	Width of toe kick	911
Ⓙ	Toe kick height**	51-152
	Panel thickness	min 19

Clearance Dimensions*

mm

Minimum cabinetry gap clearance from edge of door panel	3
---	---

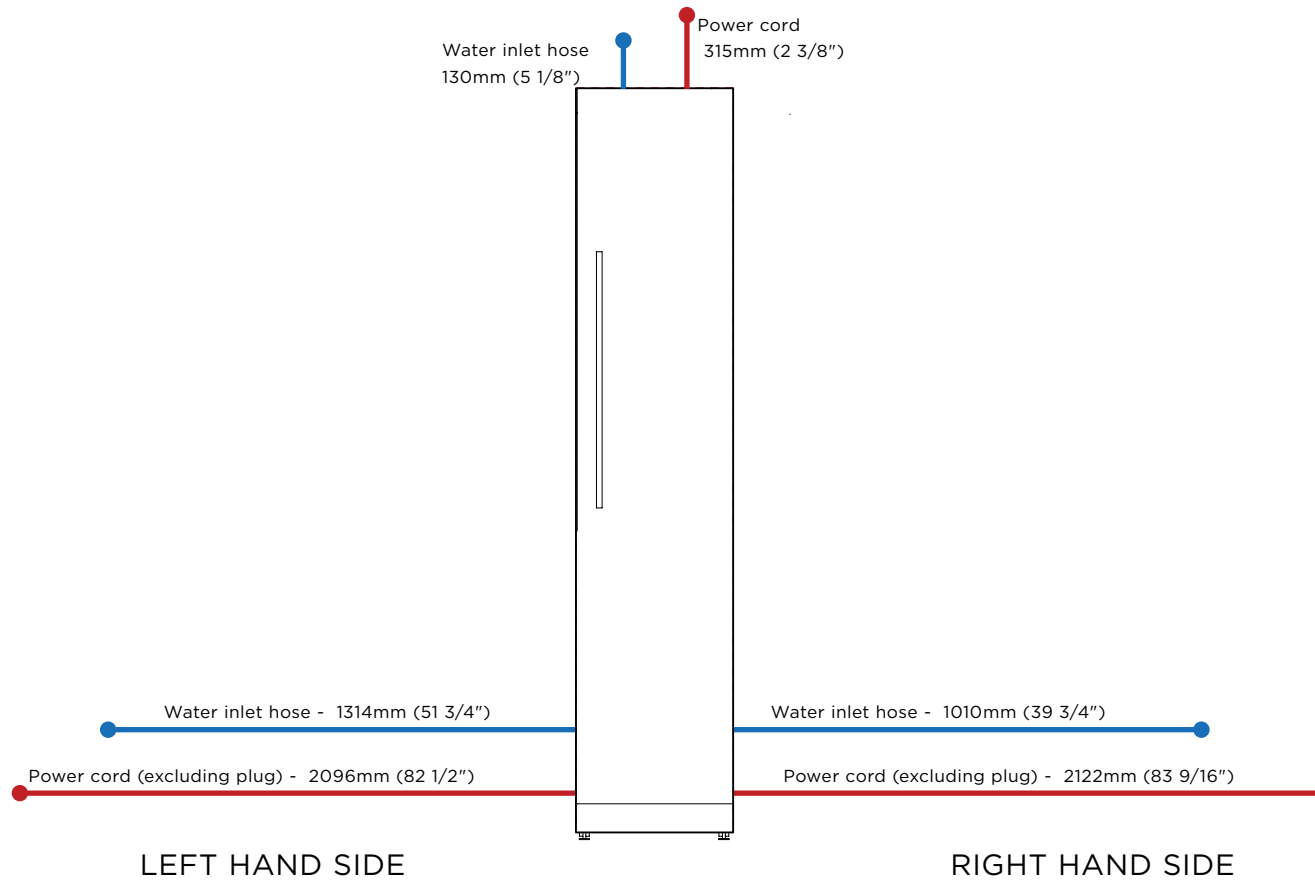
*Take into account non-standard panel heights when drilling mounting holes.
**Toe kick can height can vary depending on panel height and ventilation.

Custom door panels, toe kick and handles to be manufactured / fitted by a cabinet maker.

----- INDICATES CABINETRY / PRODUCT DATUM
----- INDICATES CABINETRY CLEARANCES
----- INDICATES CUTOUT

IMPORTANT NOTE: Throughout this guide, dimensions may vary by $\pm 2\text{mm}$ (1/16"). Please read the installation manual for detailed information on installing the product. For full installation instructions & specifications visit fisherpaykel.com

SERVICES



ELECTRICAL SPECIFICATIONS

Model Number

RS4621FRJE1, RS4621FLJE1

Electrical

Supply	230 V, 50 Hz
Service	10 A

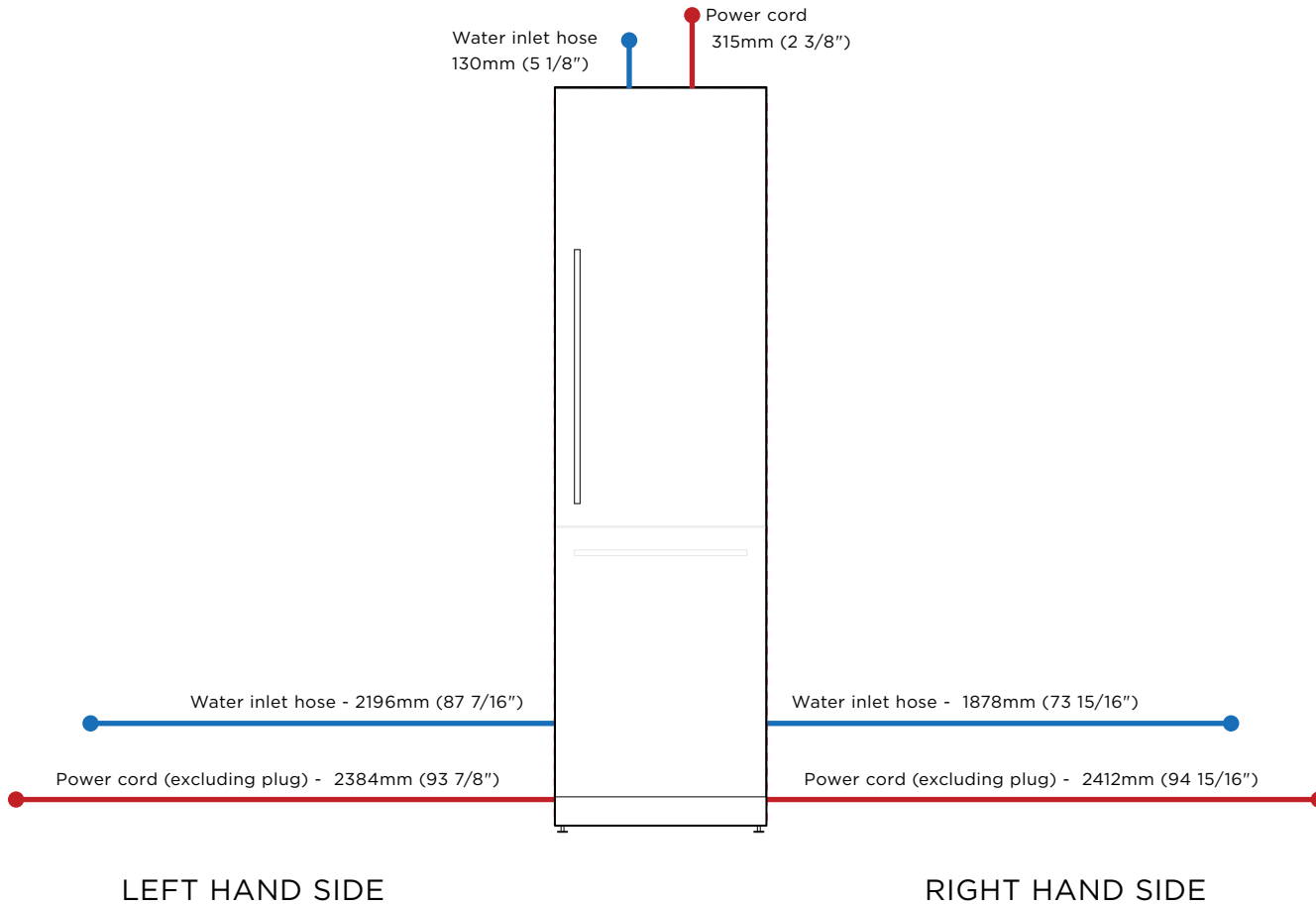
Plumbing

Supply	AU/NZ 1/2" (12.7mm) comp. stainless steel braided with hose adopter
	GB/EU/CN 3/4" (19mm) comp. stainless steel braided with hose adopter
Pressure	min 150 kPa (22 psi) max 827 kPa (120 psi) @ 20°C (68°F)

NOTE: Connections may be located in an adjacent cabinet to either side of the fridge.

----- INDICATES CABINETRY / PRODUCT DATUM
 - - - - - INDICATES CABINETRY CLEARANCES
 - - - - - INDICATES CUTOUT

IMPORTANT NOTE: Throughout this guide, dimensions may vary by ±2mm (1/16"). Please read the installation manual for detailed information on installing the product. For full installation instructions & specifications visit fisherpaykel.com



ELECTRICAL SPECIFICATIONS

Model Number

RS6121SRHE1, RS6121SLHE1, RS6121FRJE1, RS6121FLJE1,
RS6121WRUE1, RS6121WLUE1, RS6121VL2K1, RS6121VR2K1

Electrical

Supply	230 V, 50 Hz
Service	10 A

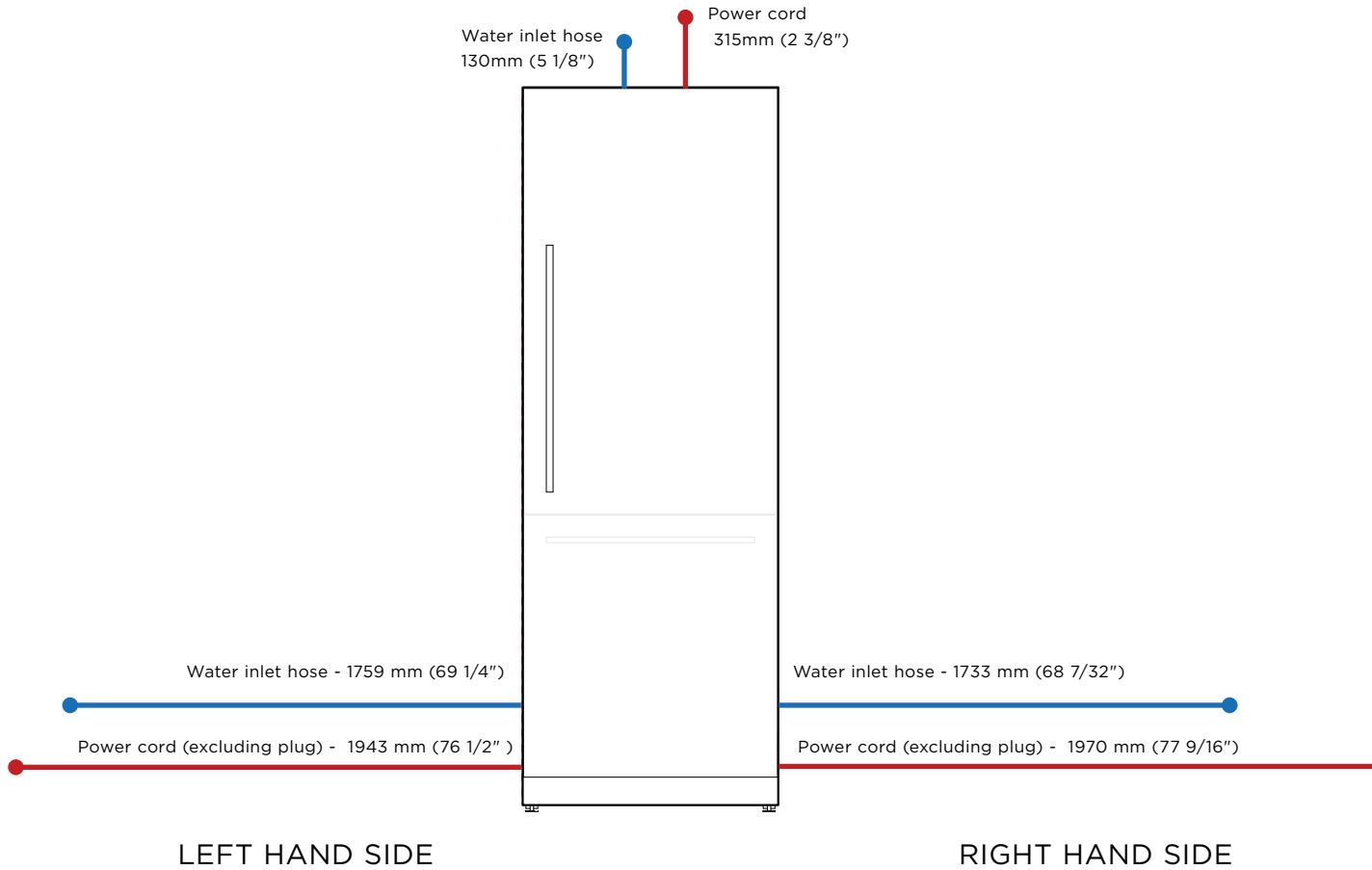
Plumbing

Supply	AU/NZ 1/2" (12.7mm) comp. stainless steel braided with hose adapter
	GB/EU/CN 3/4" (19mm) comp. stainless steel braided with hose adapter
Pressure	min 150 kPa (22 psi) max 827 kPa (120 psi) @ 20°C (68°F)

NOTE: Connections may be located in an adjacent cabinet to either side of the fridge.

----- INDICATES CABINETS / PRODUCT DATUM
 - - - - - INDICATES CABINETS CLEARANCES
 - - - - - INDICATES CUTOUT

IMPORTANT NOTE: Throughout this guide, dimensions may vary by ±2mm (1/16"). Please read the installation manual for detailed information on installing the product. For full installation instructions & specifications visit fisherpaykel.com



ELECTRICAL SPECIFICATIONS

Model Number

RS7621SRHE1, RS7621SLHE1, RS7621FRJE1, RS7621FLJE1, RS7621WRUE1, RS7621WLUE1

Electrical

Supply	230 V, 50 Hz
Service	10 A

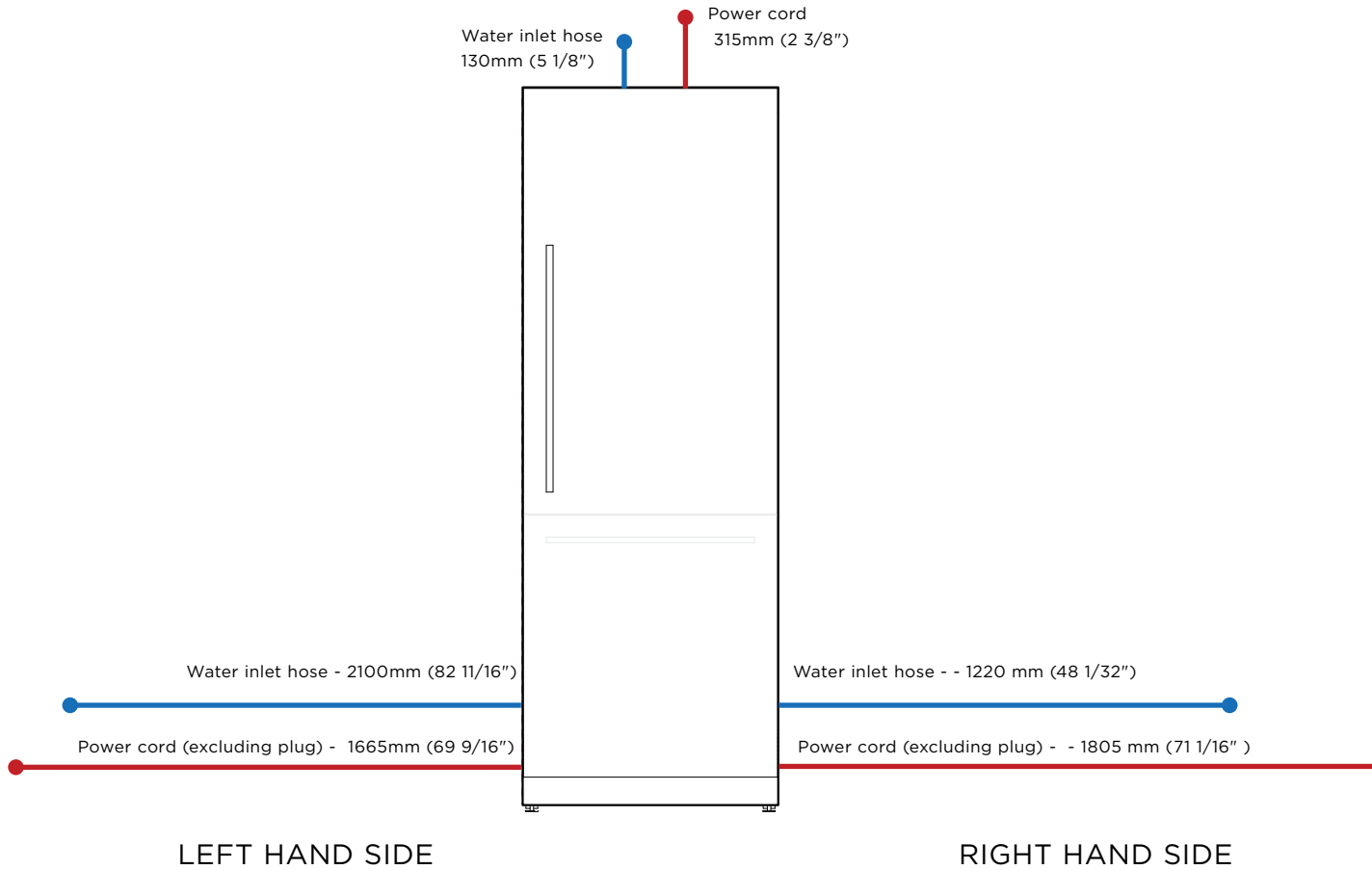
Plumbing

Supply	AU/NZ 1/2" (12.7mm) comp. stainless steel braided with hose adopter
	GB/EU/CN 3/4" (19mm) comp. stainless steel braided with hose adopter
Pressure	min 150 kPa (22 psi) max 827 kPa (120 psi) @ 20°C (68°F)

NOTE: Connections may be located in an adjacent cabinet to either side of the fridge.

----- INDICATES CABINETRY / PRODUCT DATUM
 - - - - - INDICATES CABINETRY CLEARANCES
 - - - - - INDICATES CUTOUT

IMPORTANT NOTE: Throughout this guide, dimensions may vary by ±2mm (1/16"). Please read the installation manual for detailed information on installing the product. For full installation instructions & specifications visit fisherpaykel.com



ELECTRICAL SPECIFICATIONS

Model Number

RS9121WRUVE1, RS9121WLUVE1, RS9121AUVE1

Electrical

Supply	230 V, 50 Hz
Service	10 A

Plumbing

Supply	AU/NZ 1/2" (12.7mm) comp. stainless steel braided with hose adopter
	GB/EU/CN 3/4" (19mm) comp. stainless steel braided with hose adopter
Pressure	min 150 kPa (22 psi) max 827 kPa (120 psi) @ 20°C (68°F)

NOTE: Connections may be located in an adjacent cabinet to either side of the fridge.

- INDICATES CABINETRY / PRODUCT DATUM
- INDICATES CABINETRY CLEARANCES
- INDICATES CUTOUT

IMPORTANT NOTE: Throughout this guide, dimensions may vary by ±2mm (1/16"). Please read the installation manual for detailed information on installing the product. For full installation instructions & specifications visit fisherpaykel.com

