

**76CM PROFESSIONAL OVENS AND
COMPANIONS**

PLANNING GUIDE

SERIES 9 & 11

PYROLYTIC OVEN | OB76SPPUX3

PYROLYTIC STEAM ASSIST OVEN | OB76SPPSUX3

COMPACT COMBI-STEAM | OS76NPUX3

COMPACT COMBI-MICROWAVE | OM76NPUX3

BUILT-IN COFFEE MAKER | EB76PSX3

WARMING DRAWER | WB76SPEX3, WB76SDEI3

FISHER & PAYKEL

INTRODUCTION

This comprehensive planning guide provides you with the framework and tools to achieve your desired design outcome with Fisher & Paykel appliances. In this guide, you will find a range of conceptual, detailed, and dimensional product information to bring your ideas to life and create spaces that truly reflect your vision.

SUPPORT

For additional design planning and installation support please contact the Fisher & Paykel design support team.
designsupport@fisherpaykel.com

NOTES

The models shown in this Planning Guide may not be available in all markets and are subject to change at any time. Refer to our website fisherpaykel.com for the latest document version. Product specifications may vary from those shown. This Planning Guide should not be used as installation guidance for any product. Specific installation guidance will be available with the product on delivery and on our website.

CONCEPT DESIGN PAGE

DESIGN CHOICE

Styles	4
Professional Family Overview	5
Installation Options	6
Cabinetry Alignment	7
	8

SPECIFICATION GUIDE

Pyrolytic Oven	10
Pyrolytic Steam Assist Oven	11
Compact Combi-Steam Oven	12
Compact Combi-Microwave Oven	13
Built-In Coffee Maker	14
Warming Drawer	15
Integrated Warming Drawer	16
Dimensions - Ovens	17
Dimensions - Companions	18
Services	19

DEVELOPED AND DETAILED DESIGN PAGE

DATA SHEETS

Pyrolytic Oven	21
Pyrolytic Steam Assist Oven	22
Compact Combi-Steam Oven	23
Compact Combi-Microwave Oven	24
Built-In Coffee Maker	25
Warming Drawer	26
Integrated Warming Drawer	27

DEVELOPED AND DETAILED DESIGN PAGE

PLANNING CONSIDERATIONS

Cabinetry Preparation	29
Clearances	30
Ventilation	31
Stack Height	32
Pyrolytic Oven	33
Pyrolytic Steam Assist Oven	34
Compact Combi-Steam Oven	35
Compact Combi-Microwave Oven	36
Built-in Coffee Maker	37
Warming Drawer	38
Integrated Warming Drawer	39

SERVICES

Power Cord Length and Location - Ovens	41
Power Cord Length and Location - Compact Ovens	42
Power Cord Length and Location - Companions	43

DESIGN CHOICE



MINIMAL STYLE - HANDLELESS

MINIMAL STYLE

CONTEMPORARY STYLE

PROFESSIONAL STYLE

Celebrating a singular aesthetic to blend seamlessly into the kitchen, Minimal style ovens feature subtle textural and tonal contrasts for a sense of refinement and purity.

Defined by clean lines and timeless design cues, Contemporary style ovens bring a sense of balance and refinement. A versatile aesthetic that complements a range of kitchen styles.

Distinctive and bold, Professional style ovens are the perfect interpretation of the commercial kitchen for the home chef. Experience refined performance with stainless steel construction that is built to last.

This Planning Guide is for the Professional style featuring 76cm Ovens and Companions. For information on other styles, please visit the Fisher and Paykel website. To see what models are available, head to the 'Overview' section in this Planning Guide.

The models shown in this Planning Guide may not be available in all markets and are subject to change at any time. Product specifications may vary from those shown. This Planning Guide should not be used as installation guidance for any product. Further information is required to safely and correctly install the products featured here. Specific installation guidance will be available with the product on delivery and on our website fisherpaykel.com

FINISH

OVENS

COMPANIONS

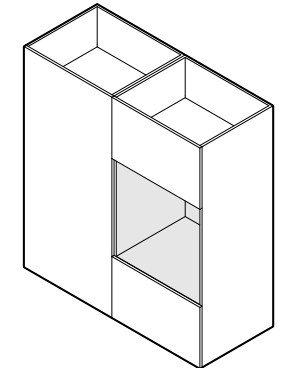
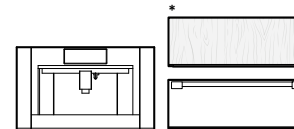
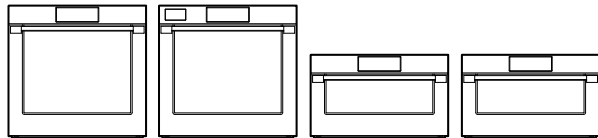
INSTALLATION OPTIONS

	PYROLYTIC OVEN STEAM ASSIST	STEAM	MICROWAVE
--	--------------------------------------	-------	-----------

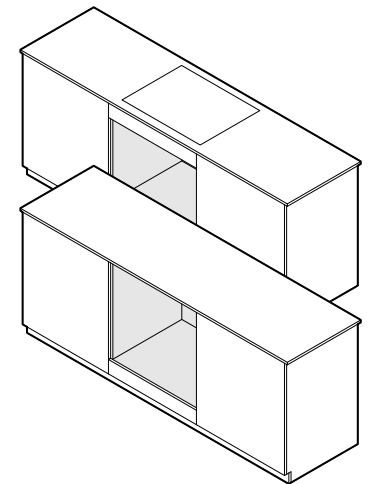
COFFEE MAKER	WARMING DRAWERS
-----------------	--------------------



Stainless Steel



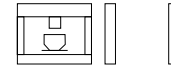
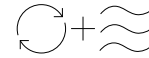
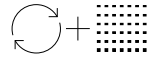
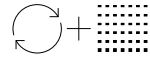
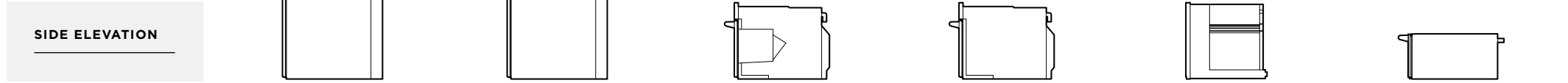
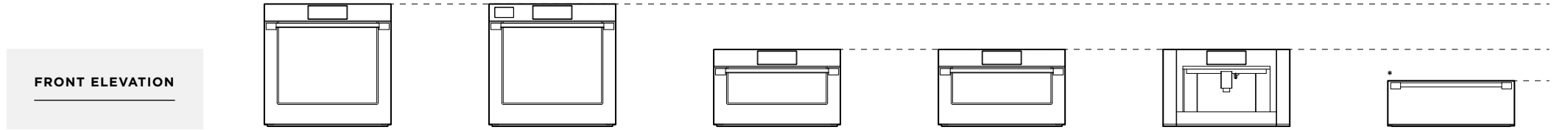
Installation in wall



Installation under-bench

*Integrated model, panel ready for a custom front panel.

The models shown in this Planning Guide may not be available in all markets and are subject to change at any time. Product specifications may vary from those shown. This Planning Guide should not be used as installation guidance for any product. Further information is required to safely and correctly install the products featured here. Specific installation guidance will be available with the product on delivery and on our website fisherpaykel.com



	PYROLYTIC OVEN	PYROLYTIC STEAM ASSIST OVEN	COMPACT COMBI-STEAM OVEN	COMPACT COMBI-MICROWAVE OVEN	BUILT-IN COFFEE MAKER	WARMING DRAWER
Series	Series 9	Series 11	Series 9	Series 9	Series 9	Series 9
Models	OB76SPPUX3	OB76SPPSUX3	OS76NPUX3	OM76NPUX3	EB76PSX3	WB76SPEX3
Integrated Models	-	-	-	-	-	WB76SDEI3
Interface	6.8" Touchscreen	6.8" Touchscreen	6.8" Touchscreen	6.8" Touchscreen	4.3" Touchscreen	-
Overall Height	729mm	729mm	458mm	458mm	458mm	271mm
Front Panel Thickness*	24mm	24mm	24mm	24mm	24mm	24mm

*Flush, Semi-Flush, and Proud alignment is achievable. Head to the 'Cabinetry Alignment' section of this Planning Guide.

*Integrated models available.

The models shown in this Planning Guide may not be available in all markets and are subject to change at any time. Product specifications may vary from those shown. This Planning Guide should not be used as installation guidance for any product. Further information is required to safely and correctly install the products featured here. Specific installation guidance will be available with the product on delivery and on our website fisherpaykel.com

CONSIDERATIONS

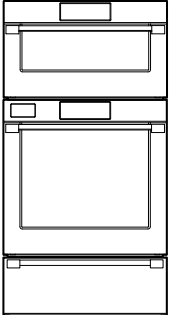
Different configurations possible, consider heights for grid and row installations.

STACK HEIGHT

Stack Height is overall product height with minimum clearance above appliance front panel to upper cabinetry front panel or appliance.

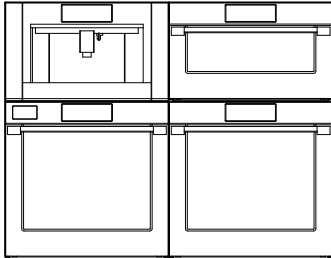
STACKED INSTALLATION

Stack Height
1462mm

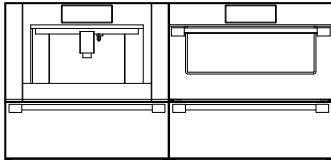


GRID INSTALLATION

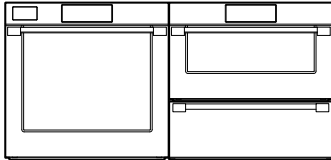
Stack Height
1191mm



Stack Height
731mm

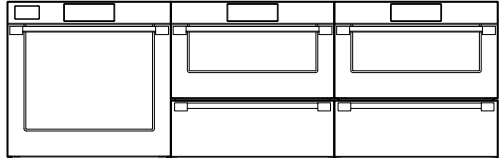


Stack Height
731mm



ROW INSTALLATION

Stack Height
731mm

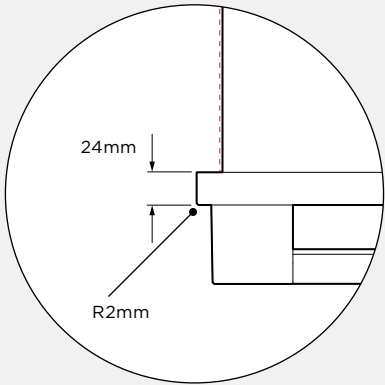


The models shown in this Planning Guide may not be available in all markets and are subject to change at any time. Product specifications may vary from those shown. This Planning Guide should not be used as installation guidance for any product. Further information is required to safely and correctly install the products featured here. Specific installation guidance will be available with the product on delivery and on our website fisherpaykel.com

PROFESSIONAL STYLE - CABINETRY ALIGNMENT

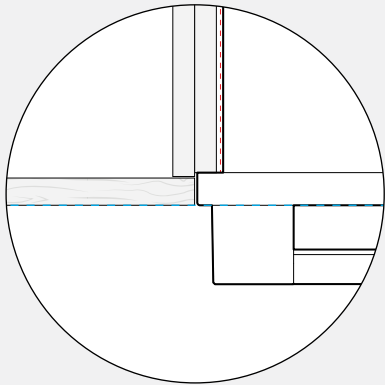
Professional Ovens and Companions have a control panel thickness of 24mm, allowing for Flush, Semi-Flush, and Proud alignment. The drawing below illustrates 19mm cabinetry front panels.

CONTROL PANEL



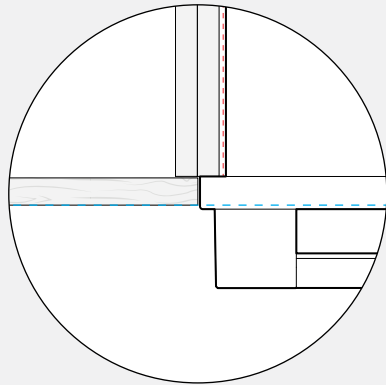
PLAN VIEW

FLUSH CABINETRY ALIGNMENT



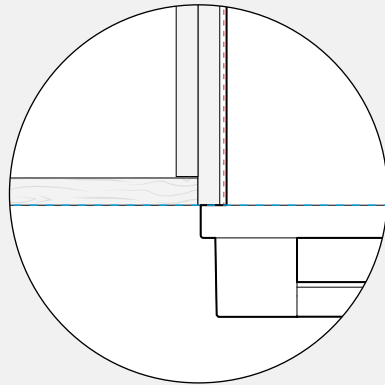
PLAN VIEW

SEMI-FLUSH ALIGNMENT



PLAN VIEW

PROUD ALIGNMENT



PLAN VIEW

----- INDICATES CABINETRY DATUM

The models shown in this Planning Guide may not be available in all markets and are subject to change at any time. Product specifications may vary from those shown. This Planning Guide should not be used as installation guidance for any product. Further information is required to safely and correctly install the products featured here. Specific installation guidance will be available with the product on delivery and on our website fisherpaykel.com

SPECIFICATION GUIDE



OVERVIEW

Designed to make a bold statement in the kitchen space with a striking handle and brushed stainless steel finish, this oven matches seamlessly with our Professional style family of appliances. Pyrolytic self-cleaning simplifies maintenance, while precise cooking methods with temperature and heat type recommendations for a wide range of food types are easily accessed via the large touch screen and SmartHQ™.

PRODUCTS

OB76SPPUX3

76cm Series 9 Professional Pyrolytic Oven

SERIES & STYLE

Series 9
Professional

FEATURES

- ① Professional style is designed to make a bold statement in the kitchen space. Matches with Professional style family of appliances
- ② Self-cleaning pyrolytic function breaks down food residue for an easy clean
- ③ Premium soft-close door with advanced thermal performance
- ④ Generous 130L useable capacity
- ⑤ Large 6.8" touchscreen is intuitive and easy to use
- ⑥ Create perfect results with precise cooking methods, with temperature and heat type recommendations for your food type
- ⑦ Twin vertical fans, perfect for multi-shelf cooking
- ⑧ Includes a wired temperature sensor for real-time monitoring of cooking temperatures
- ⑨ Connected capability via the SmartHQ™ app gives control & visibility from anywhere at anytime

ACCESSORIES

- ① Pyro-proof Side Ladders
- ② Full Extension Sliding Shelf (x2)
- ③ Multi-functional Air Fry Tray
- ④ Roasting Dish
- ⑤ Wired Temperature Sensor



The models shown in this Planning Guide may not be available in all markets and are subject to change at any time. Product specifications may vary from those shown. This Planning Guide should not be used as installation guidance for any product. Further information is required to safely and correctly install the products featured here. Specific installation guidance will be available with the product on delivery and on our website fisherpaykel.com



OVERVIEW

Designed to make a bold statement in the kitchen space with a striking handle and brushed stainless steel finish, this oven matches seamlessly with our Professional style family of appliances. Steam Assist enhances convection cooking, while pyrolytic cleaning simplifies maintenance. Precise cooking methods with temperature and heat type recommendations for a wide range of food types are easily accessed via the large touch screen and SmartHQ™.

PRODUCTS

OB76SPPSUX3

76cm Series 11 Professional Pyrolytic Steam Assist Oven

SERIES & STYLE

Series 11
Professional

ACCESSORIES

- ① Pyro-proof Side Ladders
- ② Full Extension Sliding Shelf (x2)
- ③ Multi-functional Air Fry Tray
- ④ Roasting Dish
- ⑤ Wired Temperature Sensor
- ⑥ Descale Solution - 2 sachets (Part 580925)

FEATURES

- ① Professional style is designed to make a bold statement in the kitchen space. Matches with Professional style family of appliances
- ② Steam Assist combines convection heat with steam to enhance the cooking process
- ③ Self-cleaning pyrolytic function breaks down food residue for an easy clean
- ④ Premium soft-close door with advanced thermal performance
- ⑤ Generous 130L useable capacity
- ⑥ Large 6.8" touchscreen is intuitive and easy to use
- ⑦ Create perfect results with precise cooking methods, with temperature and heat type recommendations for your food type
- ⑧ Twin vertical fans, perfect for multi-shelf cooking
- ⑨ Includes a wired temperature sensor for real-time monitoring of cooking temperatures
- ⑩ Connected capability via the SmartHQ™ app gives control & visibility from anywhere at anytime



The models shown in this Planning Guide may not be available in all markets and are subject to change at any time. Product specifications may vary from those shown. This Planning Guide should not be used as installation guidance for any product. Further information is required to safely and correctly install the products featured here. Specific installation guidance will be available with the product on delivery and on our website fisherpaykel.com



OVERVIEW

Designed to make a bold statement in the kitchen space with a striking handle and brushed stainless steel finish, this Combi-Steam oven matches seamlessly with our Professional style family of appliances. With versatile cooking options including steam or convection, plus a Steam Clean function for easy maintenance. Precise cooking methods with temperature and heat type recommendations for a wide range of food types are easily accessed via the large touch screen and SmartHQ™.

PRODUCTS

OS76NPUX3

76cm Series Professional Compact Combi-Steam Oven

SERIES & STYLE

Series 9
Professional

ACCESSORIES

- ① Chrome Side Ladders
- ② Full Extension Sliding Shelf
- ③ Flat Wire Shelf
- ④ Flat Brushed Baking Tray
- ⑤ Roasting Dish
- ⑥ Grill Rack

FEATURES

- ① Professional style is designed to make a bold statement in the kitchen space
- ② Versatile cooking options with steam or convection heat for optimal results
- ③ Premium soft open and close door
- ④ 45L useable capacity with four shelf positions
- ⑤ Large 6.8" touchscreen is intuitive and easy to use
- ⑥ Create perfect results with precise cooking methods, with temperature and heat type recommendations for your food type
- ⑦ Moisture control and even heat distribution thanks to ActiveVent™ and AeroTech™ technology
- ⑧ Steam Clean function ensures a spotless oven with minimal effort
- ⑨ Includes a wired temperature sensor for real-time monitoring of cooking temperatures
- ⑩ Connected capability via the SmartHQ™ app gives control & visibility from anywhere at anytime

ACCESSORIES

- ⑦ Large Perforated Steam Dish
- ⑧ Small Perforated Steam Dish
- ⑨ Large Steam Dish
- ⑩ Wired Temperature Sensor
- ⑪ Descale Solution - 2 sachets (Part 580925)

The models shown in this Planning Guide may not be available in all markets and are subject to change at any time. Product specifications may vary from those shown. This Planning Guide should not be used as installation guidance for any product. Further information is required to safely and correctly install the products featured here. Specific installation guidance will be available with the product on delivery and on our website fisherpaykel.com



OVERVIEW

Designed to make a bold statement in the kitchen space with a striking handle and brushed stainless steel finish, this Combi-Microwave oven matches seamlessly with our Professional style family of appliances. Versatile cooking options including microwave or convection offer efficient heating across a variety of dishes. Precise cooking methods with temperature and heat type recommendations for a wide range of food types are easily accessed via the large touch screen and SmartHQ™.

PRODUCTS

OM76NPUX3

76cm Series 9 Professional Compact Combi-Microwave Oven

SERIES & STYLE

Series 9
Professional

FEATURES

- ① Professional style is designed to make a bold statement in the kitchen space. Matches with Professional style family of appliances
- ② Combines fast microwave cooking with even convection heat for versatile, efficient heating across a variety of dishes
- ③ With soft open and close, the CoolTouch door is safe to touch from the outside - protecting hands and surrounding cabinetry
- ④ Generous 38L useable capacity with four shelf positions
- ⑤ Large 6.8" touchscreen is intuitive and easy to use
- ⑥ Create perfect results with precise cooking methods, with temperature and heat type recommendations for your food type
- ⑦ Includes a wired temperature sensor for real-time monitoring of cooking temperatures
- ⑧ Connected capability via the SmartHQ™ app gives control & visibility from anywhere at anytime

ACCESSORIES

- ① Chrome Side Ladders
- ② Flat Wire Shelf
- ③ Step Down Wire Shelf
- ④ Grill Rack
- ⑤ Glass Tray
- ⑥ Wired Temperature Sensor



The models shown in this Planning Guide may not be available in all markets and are subject to change at any time. Product specifications may vary from those shown. This Planning Guide should not be used as installation guidance for any product. Further information is required to safely and correctly install the products featured here. Specific installation guidance will be available with the product on delivery and on our website fisherpaykel.com



OVERVIEW

Designed to make a bold statement in the kitchen space with a brushed stainless steel finish, this Coffee Maker matches seamlessly with our Professional style family of appliances. It remembers your favourite brews over time, offering personalised coffee at the touch of a button. With precise grinding, creamy milk frothing, and effortless self-cleaning, it brings barista-quality coffee home.

PRODUCTS

EB76PSX3
76cm Series 9 Professional Built-in Coffee Maker

SERIES & STYLE

Series 9
Professional

FEATURES

- ① Professional style is designed to make a bold statement in the kitchen space. Matches with Professional style family of appliances
- ② Intuitive touch display brews a perfect cup of coffee at the touch of a button
- ③ Programmable timer turns on the Coffee Maker at the ideal time each day
- ④ Personalised coffee and smart self-learning menu preferences with 13 functions to suit any taste
- ⑤ Allows you to prepare hot milk or creamy froth in seconds
- ⑥ Stainless steel conical burr grinder with 13 coarseness positions
- ⑦ 15 bar pump pressure
- ⑧ Self-cleaning function and easy to empty coffee grounds container and drip tray
- ⑨ 2.4L water tank capacity





OVERVIEW

Designed to make a bold statement in the kitchen space with a striking handle and brushed stainless steel finish, this Warming Drawer matches seamlessly with our Professional style family of appliances. Featuring a soft-close mechanism, intuitive touch controls, and a smooth glass base for easy cleaning. With six tailored programmes and space for 16 place settings, it keeps meals ready to serve.

PRODUCTS

WB76SPEX3

76cm Series 9 Professional Warming Drawer

SERIES & STYLE

Series 9
Professional

FEATURES

- ① Professional style is designed to make a bold statement in the kitchen space. Matches with Professional style family of appliances
- ② Soft-close drawer for a smooth closure
- ③ Simple and intuitive touch controls for effortless operation
- ④ Easy-to-clean stainless steel finish for a bold and durable look
- ⑤ Automatic switch-off and delayed start functionality to help keep dishes warm until it is time to serve
- ⑥ Room for 16 standard-sized place settings
- ⑦ Six tailored programmes including Warming, Proofing, Dehydrating, and Slow Cooking offer convenience and flexibility

ACCESSORIES

- ① Accessory rack for optimising space



The models shown in this Planning Guide may not be available in all markets and are subject to change at any time. Product specifications may vary from those shown. This Planning Guide should not be used as installation guidance for any product. Further information is required to safely and correctly install the products featured here. Specific installation guidance will be available with the product on delivery and on our website fisherpaykel.com



OVERVIEW

Panel ready design allows for seamless integration and customisation of this Warming Drawer with kitchen cabinetry for a cohesive kitchen look. Featuring a push-to-open mechanism, intuitive touch controls, and a smooth glass base for easy cleaning. With six tailored programmes and space for 16 place settings, it keeps meals ready to serve.

PRODUCTS

WB76SDEI3*
76cm Series 9 Integrated Warming Drawer

*Panel ready.

SERIES & STYLE

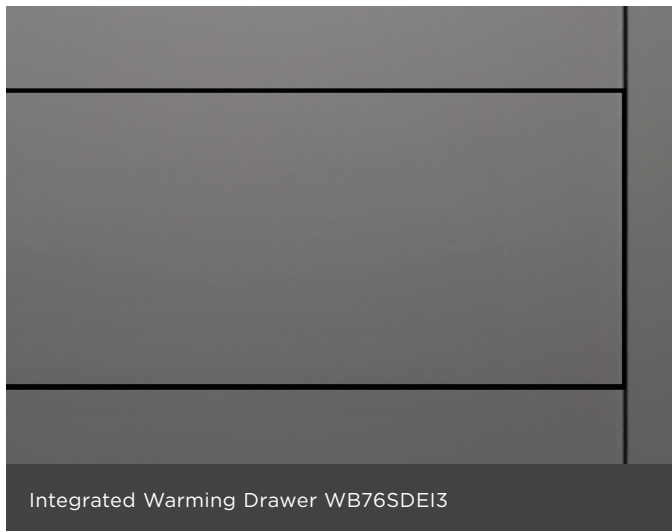
Series 9
Integrated

FEATURES

- ① Panel ready design allows for seamless integration and customisation with kitchen cabinetry for a cohesive kitchen look
- ② Push-to-open drawer, designed for added convenience
- ③ Simple and intuitive touch controls for effortless operation
- ④ Automatic switch-off and delayed start functionality to help keep dishes warm until it is time to serve
- ⑤ Room for 16 standard-sized place settings
- ⑥ Six tailored programmes including Warming, Proofing, Dehydrating, and Slow Cooking offer convenience and flexibility

ACCESSORIES

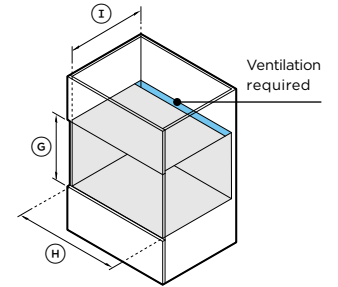
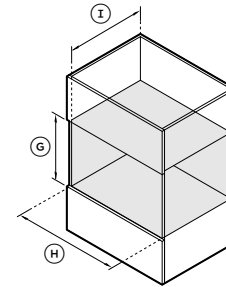
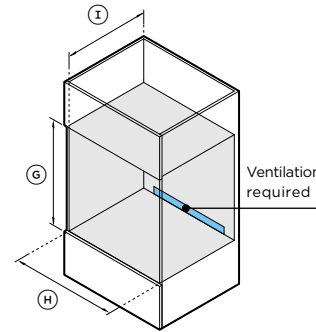
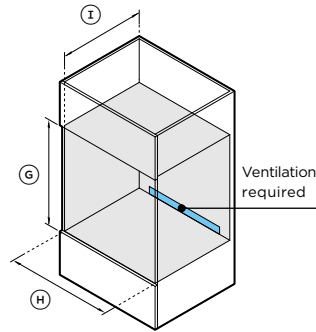
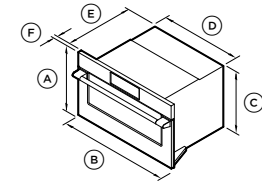
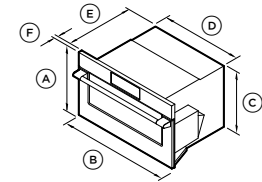
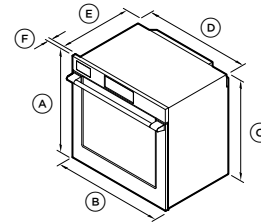
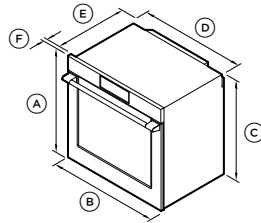
- ① Accessory rack for optimising space



The models shown in this Planning Guide may not be available in all markets and are subject to change at any time. Product specifications may vary from those shown. This Planning Guide should not be used as installation guidance for any product. Further information is required to safely and correctly install the products featured here. Specific installation guidance will be available with the product on delivery and on our website fisherpaykel.com

PRODUCT DIMENSIONS

CAVITY DIMENSIONS



PRODUCT DIMENSIONS	
A	Overall height
B	Overall width
C	Chassis height
D	Chassis width
E	Chassis depth
F	Control panel thickness
	Depth with door fully open*

PYROLYTIC OVEN OB76SPPUX3	
	mm
A	729
B	758
C	708
D	720
E	575
F	24
	590

PYROLYTIC STEAM ASSIST OVEN OB76SPPSUX3	
	mm
A	729
B	758
C	708
D	720
E	575
F	24
	590

COMPACT COMBI-STEAM OVEN OS76NPUX3	
	mm
A	458
B	758
C	435
D	720
E	545
F	24
	320

COMPACT COMBI-MICROWAVE OVEN OM76NPUX3	
	mm
A	458
B	758
C	435
D	720
E	545
F	24
	320

CAVITY DIMENSIONS	
G	Minimum inside height of cavity
H	Minimum inside width of cavity
I	Minimum inside depth of cavity*
	Recommended cabinet height
	Recommended cabinet width

PYROLYTIC OVEN OB76SPPUX3	
	mm
G	712
H	724
I	597**
	731
	762

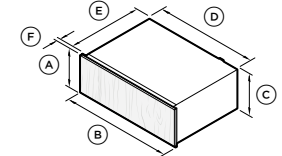
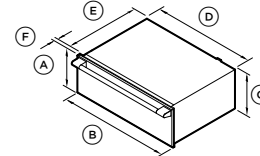
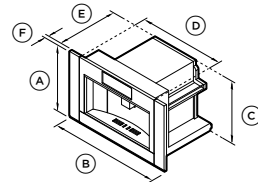
PYROLYTIC STEAM ASSIST OVEN OB76SPPSUX3	
	mm
G	712
H	724
I	597**
	731
	762

COMPACT COMBI-STEAM OVEN OS76NPUX3	
	mm
G	440
H	724
I	550
	460
	762

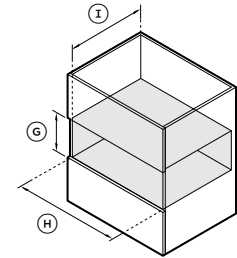
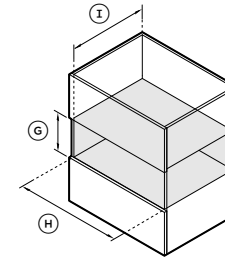
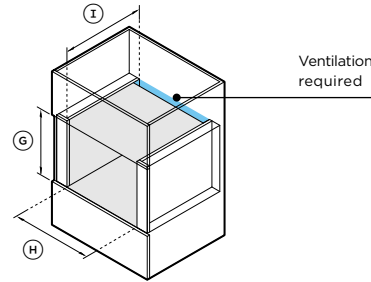
COMPACT COMBI-MICROWAVE OVEN OM76NPUX3	
	mm
G	440
H	724
I	550**
	460
	762

*Measured from front of chassis.**Requires ventilation at the rear of the cavity. For more information, refer to the 'Ventilation' section of this Planning Guide.

PRODUCT DIMENSIONS



CAVITY DIMENSIONS



PRODUCT DIMENSIONS	
(A) Overall height	
(B) Overall width	
(C) Chassis height	
(D) Chassis width	
(E) Chassis depth	
(F) Control panel/front panel thickness	
Front panel height	
Front panel width	

BUILT-IN COFFEE MAKER EB76PSX3	
	mm
(A) Overall height	458
(B) Overall width	758
(C) Chassis height	445
(D) Chassis width	560
(E) Chassis depth	460
(F) Control panel/front panel thickness	24
Front panel height	-
Front panel width	-

WARMING DRAWER WB76SPEX3	
	mm
(A) Overall height	271
(B) Overall width	758
(C) Chassis height	271
(D) Chassis width	704
(E) Chassis depth	547*
(F) Control panel/front panel thickness	24
Front panel height	267
Front panel width	758

INTEGRATED WARMING DRAWER WB76SDEI3	
	mm
(A) Overall height	271
(B) Overall width	758
(C) Chassis height	271
(D) Chassis width	723
(E) Chassis depth	566
(F) Control panel/front panel thickness	min 16***
Front panel height	min 267
Front panel width	min 758

*Including power plug. **A clearance of 2mm between the cabinet and the custom panel is required for the push-to-open mechanism (spacer included). Maximum custom panel weight 5kg.

CAVITY DIMENSIONS	
(G) Minimum inside height of cavity	
(H) Minimum inside width of cavity	
(I) Minimum inside depth of cavity**	
Recommended cabinet height	
Recommended cabinet width	

BUILT-IN COFFEE MAKER EB76PSX3	
	mm
(G) Minimum inside height of cavity	450
(H) Minimum inside width of cavity	560*
(I) Minimum inside depth of cavity**	550***
Recommended cabinet height	460
Recommended cabinet width	762

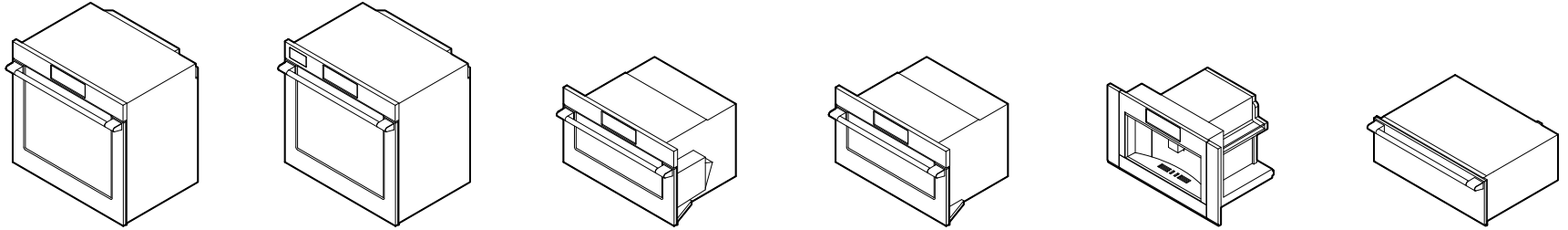
WARMING DRAWER WB76SPEX3	
	mm
(G) Minimum inside height of cavity	273
(H) Minimum inside width of cavity	724
(I) Minimum inside depth of cavity**	580
Recommended cabinet height	273
Recommended cabinet width	762

INTEGRATED WARMING DRAWER WB76SDEI3	
	mm
(G) Minimum inside height of cavity	273
(H) Minimum inside width of cavity	724
(I) Minimum inside depth of cavity**	580
Recommended cabinet height	273
Recommended cabinet width	762

*Cabinetry requires additional vertical sidewalls to secure the product. **Measured from front of chassis. ***Requires ventilation at the rear of the cavity. For more information, refer to the 'Ventilation' section of this Planning Guide.
Note: Drawers can fully support 76cm Fisher & Paykel oven, without adding shelf in between.

The models shown in this Planning Guide may not be available in all markets and are subject to change at any time. Product specifications may vary from those shown. This Planning Guide should not be used as installation guidance for any product. Further information is required to safely and correctly install the products featured here. Specific installation guidance will be available with the product on delivery and on our website fisherpaykel.com

ISOMETRIC VIEW

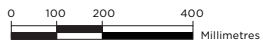
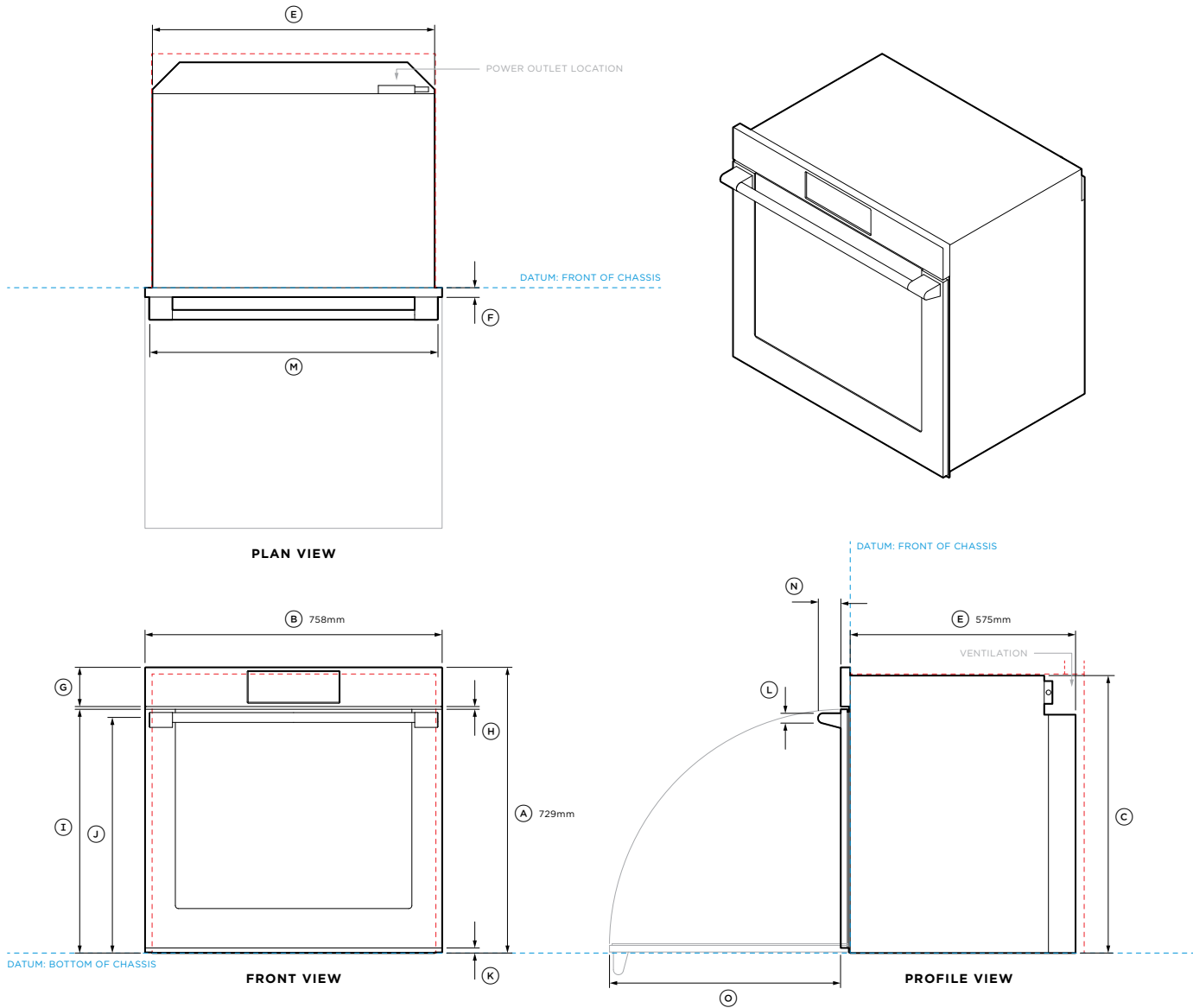


	PYROLYTIC OVEN OB76SPPUX3	PYROLYTIC STEAM ASSIST OVEN OB76SPPSUX3	COMPACT COMBI-STEAM OVEN OS76NPUX3	COMPACT COMBI-MICROWAVE OVEN OM76NPUX3	BUILT-IN COFFEE MAKER EB76PSX3	WARMING DRAWER WB76SDEI3, WB76SPEX3
PRODUCT REQUIREMENTS						
Supply	220-240 V, 50 Hz	220-240 V, 50 Hz	220-240 V, 50 Hz	220-240 V, 50 Hz	220-240 V, 50 Hz	220-240 V, 50 Hz
Service	20 A	20 A	20 A	20 A	10 A	10 A
Connection	Hard wired Minimum 1500mm*	Hard wired Minimum 1500mm*	Hard wired Minimum 1500mm*	Hard wired Minimum 1500mm*	Plug with flex cord 1700mm	Plug with flex cord 1800mm
WEIGHT						
Packaged	96kg	98kg	55kg	55kg	35kg	37kg Integrated 27kg
Unpackaged	81kg	83kg	46kg	46kg	24kg	33kg Integrated 23kg
CAPACITY						
Total Oven capacity	137L	137L	55L	49L	-	-
Total water tank capacity	-	0.67L	1.4L	-	2.4L	-

*The electrician provides sufficient free length of power supply cable to reach from the bottom rear of the cavity to at least 1.5m in front of the bottom edge of the opening.
 Note: All Coffee Makers and Steam Ovens have internal water tanks which need to be filled manually. No external water supply is required.

The models shown in this Planning Guide may not be available in all markets and are subject to change at any time. Product specifications may vary from those shown. This Planning Guide should not be used as installation guidance for any product. Further information is required to safely and correctly install the products featured here. Specific installation guidance will be available with the product on delivery and on our website fisherpaykel.com

DATA SHEETS



Model no:

OB76SPPUX3 76cm Series 9 Professional Pyrolytic Oven

Product Dimensions

	mm
(A) Overall height of product	729
(B) Overall width of product	758
(C) Height of chassis	708
(D) Width of chassis	720
(E) Depth of chassis	575
(F) Thickness of control panel (excludes handle)	24
(G) Height of control panel	100
(H) Gap between door and control panel	7
(I) Height from bottom datum to top of door	622
(J) Height from bottom datum to centerline of handle rail	601
(K) Visual gap height	13
(L) Thickness of handle rail	25
(M) Width of handle	737
(N) Depth of handle	58
(O) Depth with door fully open*	594

*Measured from front of control panel.

Minimum Clearances

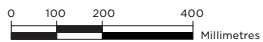
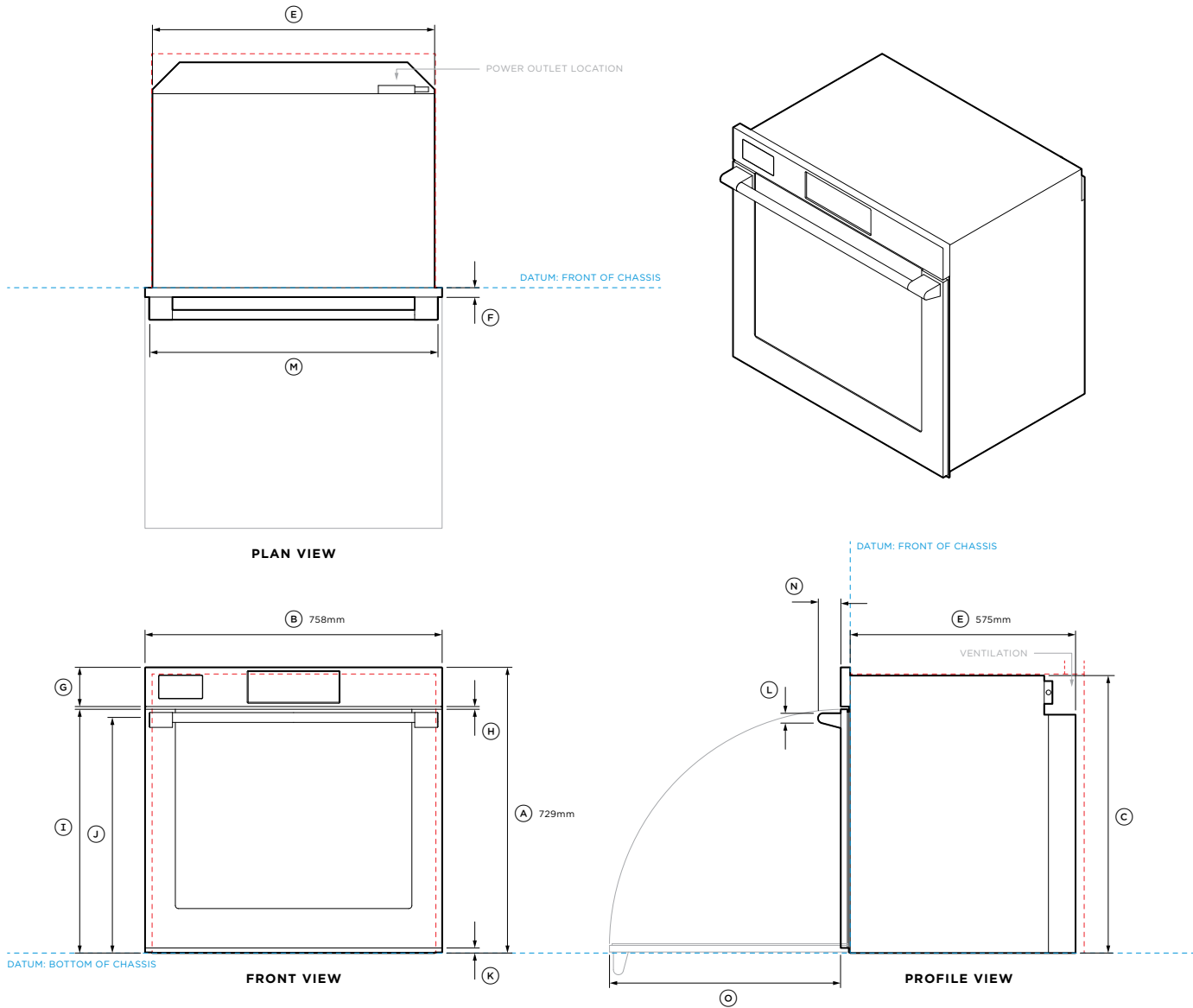
	mm
Minimum inside height of cavity	712
Minimum inside width of cavity	724
Minimum inside depth of cavity*	597
Rear ventilation height**	55
Rear ventilation width**	600
Minimum clearance above products control panel to upper cabinetry front panel or appliance	2
Minimum clearance between bottom of chassis to lower cabinetry front panel or appliance	2
Minimum clearance between adjacent front panel or appliance	2
Recommended cabinet height	731
Recommended cabinet width	762

*Measured from front of chassis.

**A minimum ventilation area of 330cm², equivalent to 55mm x 600mm, is required. For more information, refer to the 'Ventilation' section of this Planning Guide.

----- INDICATES PRODUCT DATUM
 - - - - - INDICATES CABINETRY CLEARANCES

IMPORTANT NOTE: Throughout this guide, dimensions may vary by ±2mm (1/16"). Please read the installation manual for detailed information on installing the product. For full installation instructions & specifications visit fisherpaykel.com



Model no:

OB76SPPSUX3 76cm Series 11 Professional Pyrolytic Steam Assist Oven

Product Dimensions

	mm
(A) Overall height of product	729
(B) Overall width of product	758
(C) Height of chassis	708
(D) Width of chassis	720
(E) Depth of chassis	575
(F) Thickness of control panel (excludes handle)	24
(G) Height of control panel	100
(H) Gap between door and control panel	7
(I) Height from bottom datum to top of door	622
(J) Height from bottom datum to centerline of handle rail	601
(K) Visual gap height	13
(L) Thickness of handle rail	25
(M) Width of handle	737
(N) Depth of handle	58
(O) Depth with door fully open*	594

*Measured from front of control panel.

Minimum Clearances

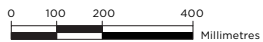
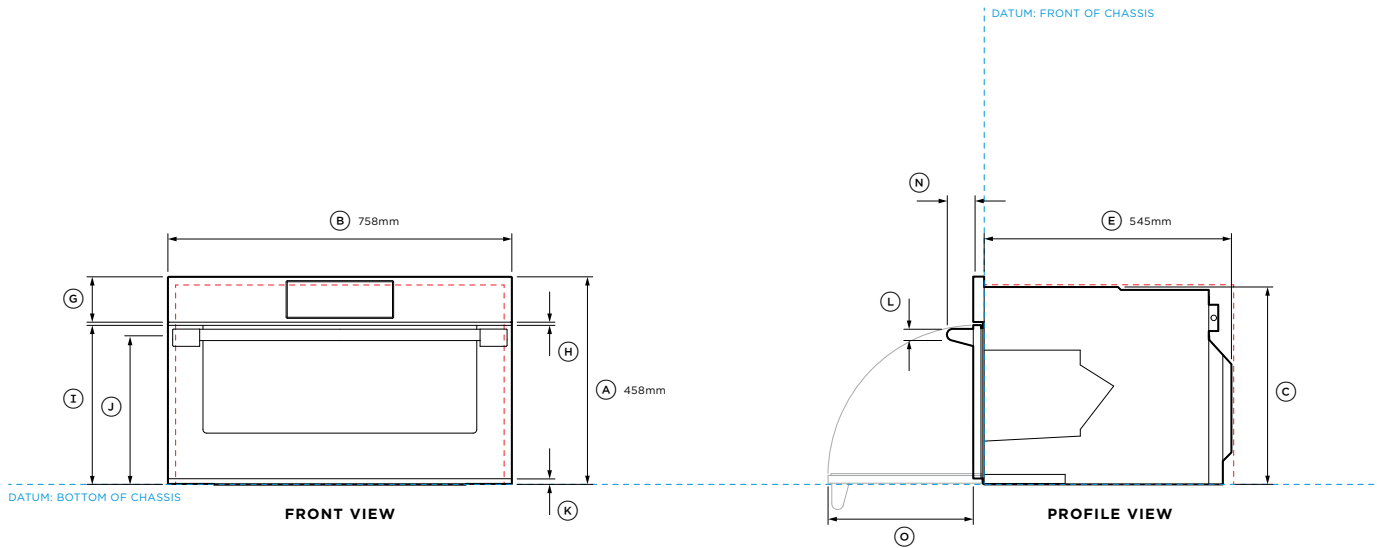
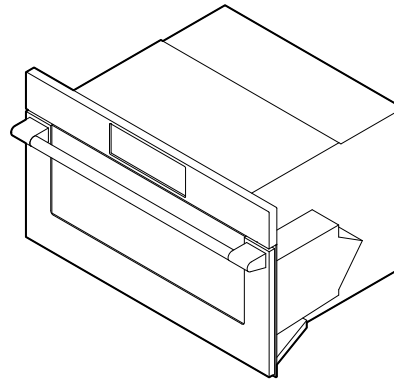
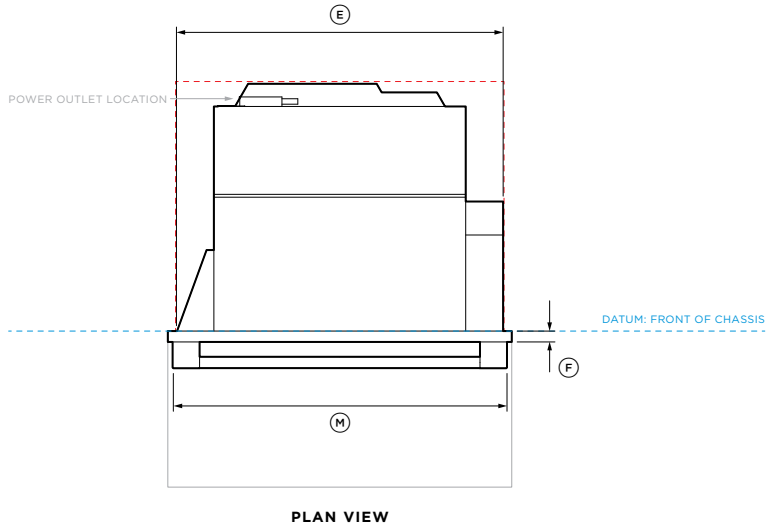
	mm
Minimum inside height of cavity	712
Minimum inside width of cavity	724
Minimum inside depth of cavity*	597
Rear ventilation height**	55
Rear ventilation width**	600
Minimum clearance above products control panel to upper cabinetry front panel or appliance	2
Minimum clearance between bottom of chassis to lower cabinetry front panel or appliance	2
Minimum clearance between adjacent front panel or appliance	2
Recommended cabinet height	731
Recommended cabinet width	762

*Measured from front of chassis.

**A minimum ventilation area of 330cm², equivalent to 55mm x 600mm, is required. For more information, refer to the 'Ventilation' section of this Planning Guide.

----- INDICATES PRODUCT DATUM
 - - - - - INDICATES CABINETRY CLEARANCES

IMPORTANT NOTE: Throughout this guide, dimensions may vary by ±2mm (1/16"). Please read the installation manual for detailed information on installing the product. For full installation instructions & specifications visit fisherpaykel.com



Model no:

OS76NPUX3 76cm Series Professional Compact Combi-Steam Oven

Product Dimensions

	mm
(A) Overall height of product	458
(B) Overall width of product	758
(C) Height of chassis	435
(D) Width of chassis	720
(E) Depth of chassis	545
(F) Thickness of control panel (excludes handle)	24
(G) Height of control panel	100
(H) Gap between door and control panel	7
(I) Height from bottom datum to top of door	351
(J) Height from bottom datum to centerline of handle rail	330
(K) Visual gap height	13
(L) Thickness of handle rail	25
(M) Width of handle	737
(N) Depth of handle	58
(O) Depth with door fully open*	320

*Measured from front of control panel.

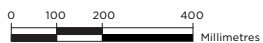
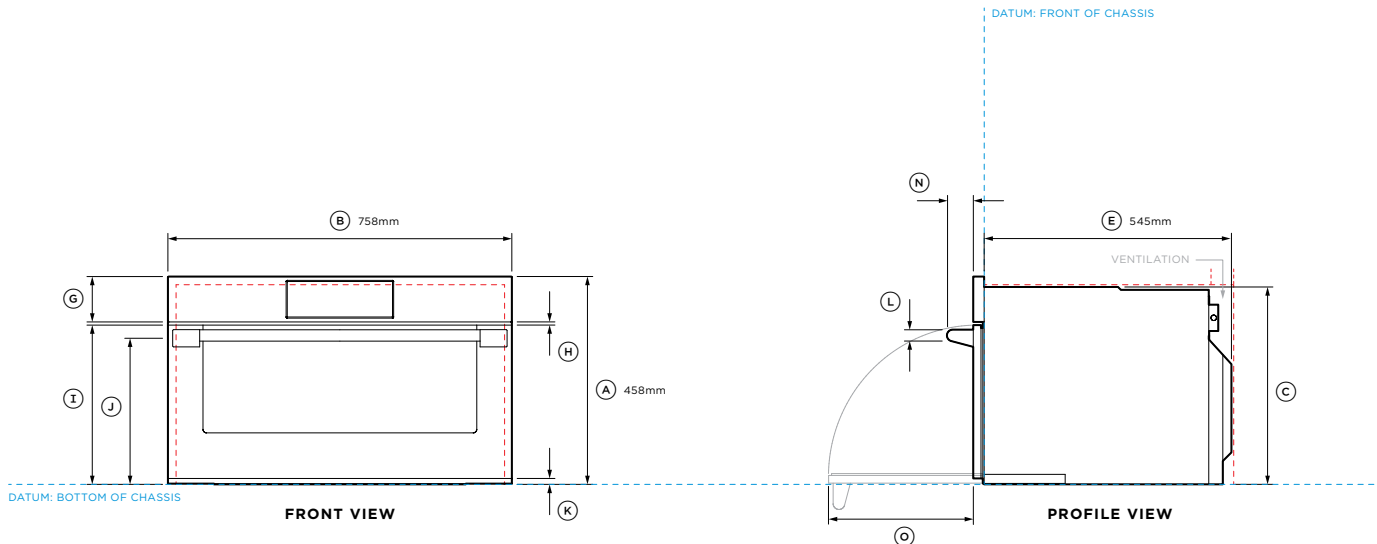
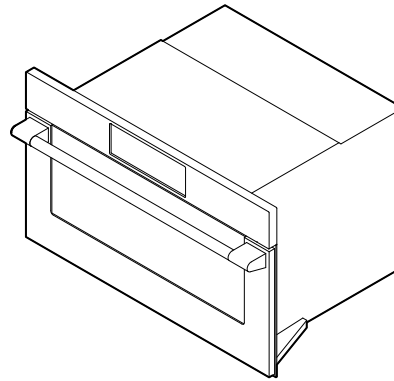
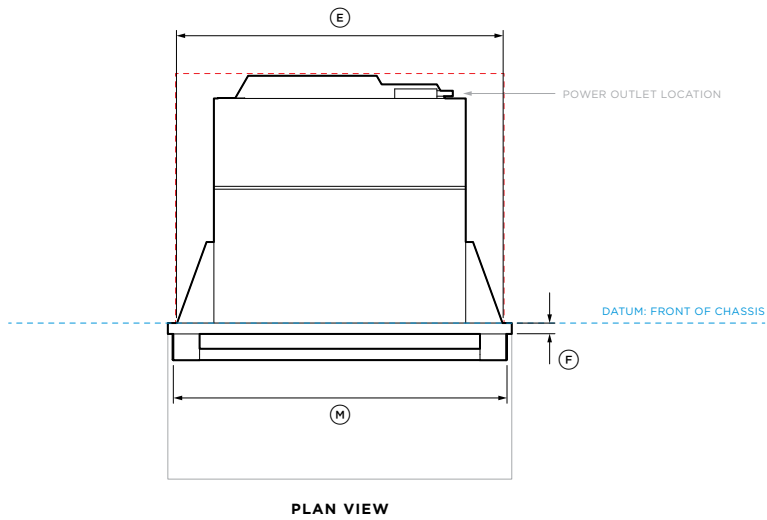
Minimum Clearances

	mm
Minimum inside height of cavity	440
Minimum inside width of cavity	724
Minimum inside depth of cavity*	550
Minimum clearance above products control panel to upper cabinetry front panel or appliance	2
Minimum clearance between adjacent front panel or appliance	2
Recommended cabinet height	460
Recommended cabinet width	762

*Measured from front of chassis.

----- INDICATES PRODUCT DATUM
 ----- INDICATES CABINETRY CLEARANCES

IMPORTANT NOTE: Throughout this guide, dimensions may vary by ±2mm (1/16"). Please read the installation manual for detailed information on installing the product. For full installation instructions & specifications visit fisherpaykel.com



Model no:

OM76NPUX3 76cm Series 9 Professional Compact Combi-Microwave Oven

Product Dimensions

	mm
(A) Overall height of product	458
(B) Overall width of product	758
(C) Height of chassis	435
(D) Width of chassis	720
(E) Depth of chassis	545
(F) Thickness of control panel (excludes handle)	24
(G) Height of control panel	100
(H) Gap between door and control panel	7
(I) Height from bottom datum to top of door	351
(J) Height from bottom datum to centerline of handle rail	330
(K) Visual gap height	13
(L) Thickness of handle rail	25
(M) Width of handle	737
(N) Depth of handle	58
(O) Depth with door fully open*	320

*Measured from front of control panel.

Minimum Clearances

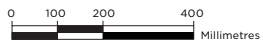
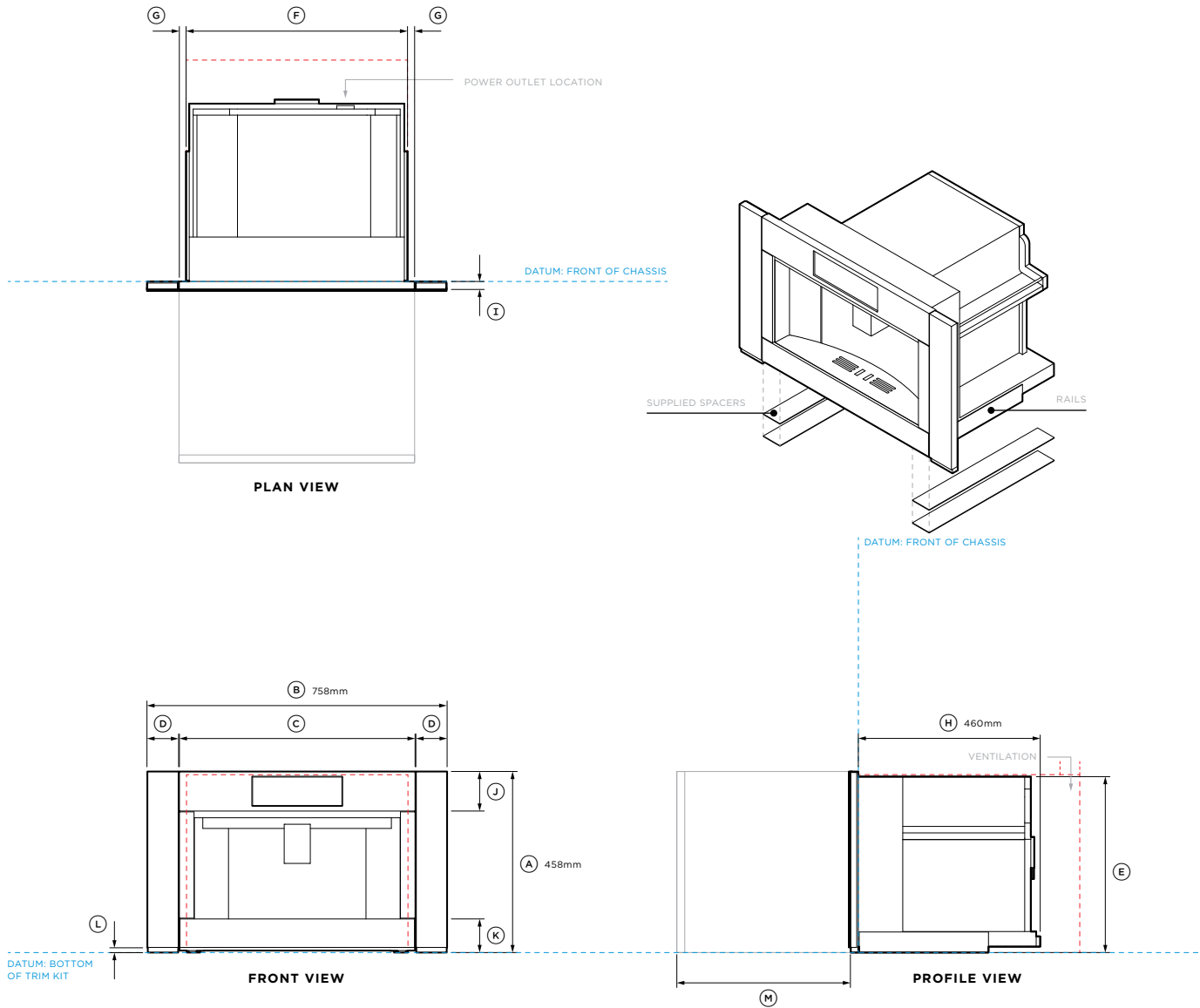
	mm
Minimum inside height of cavity	440
Minimum inside width of cavity	724
Minimum inside depth of cavity*	550
Rear ventilation height**	50
Rear ventilation width**	560
Minimum clearance above products control panel to upper cabinetry front panel or appliance	2
Minimum clearance between adjacent front panel or appliance	2
Recommended cabinet height	460
Recommended cabinet width	762

*Measured from front of chassis.

**A minimum ventilation area of 280cm², equivalent to 50mm x 560mm, is required. For more information, refer to the 'Ventilation' section of this Planning Guide.

----- INDICATES PRODUCT DATUM
 - - - - - INDICATES CABINETRY CLEARANCES

IMPORTANT NOTE: Throughout this guide, dimensions may vary by ±2mm (1/16"). Please read the installation manual for detailed information on installing the product. For full installation instructions & specifications visit fisherpaykel.com



Model no:

EB76PSX3 76cm Series 9 Professional Built-in Coffee Maker

Product Dimensions

	mm
(A) Overall height of product	458
(B) Overall width of product	758
(C) Width of built-in coffee maker	596
(D) Width of trim kit	79
(E) Height of chassis	445
(F) Width of chassis	560
(G) Distance from side of chassis to front panel	18
(H) Depth of chassis	460
(I) Thickness of control panel	24
(J) Height of control panel	100
(K) Height of horizontal lower section from bottom datum	85
(L) Visual gap height	13
(M) Depth of built-in coffee maker fully pulled out*	438

*Measured from front of control panel.

Minimum Clearances

	mm
Minimum inside height of cavity	450
Minimum inside width of cavity*	560
Minimum inside depth of cavity**	545
Rear ventilation height***	50
Rear ventilation width***	560
Minimum clearance above products control panel to upper cabinetry front panel or appliance	2
Minimum clearance between adjacent front panel or appliance	2
Recommended cabinet height	460
Recommended cabinet width	762

*Cabinetry requires additional vertical sidewalls to secure the product.

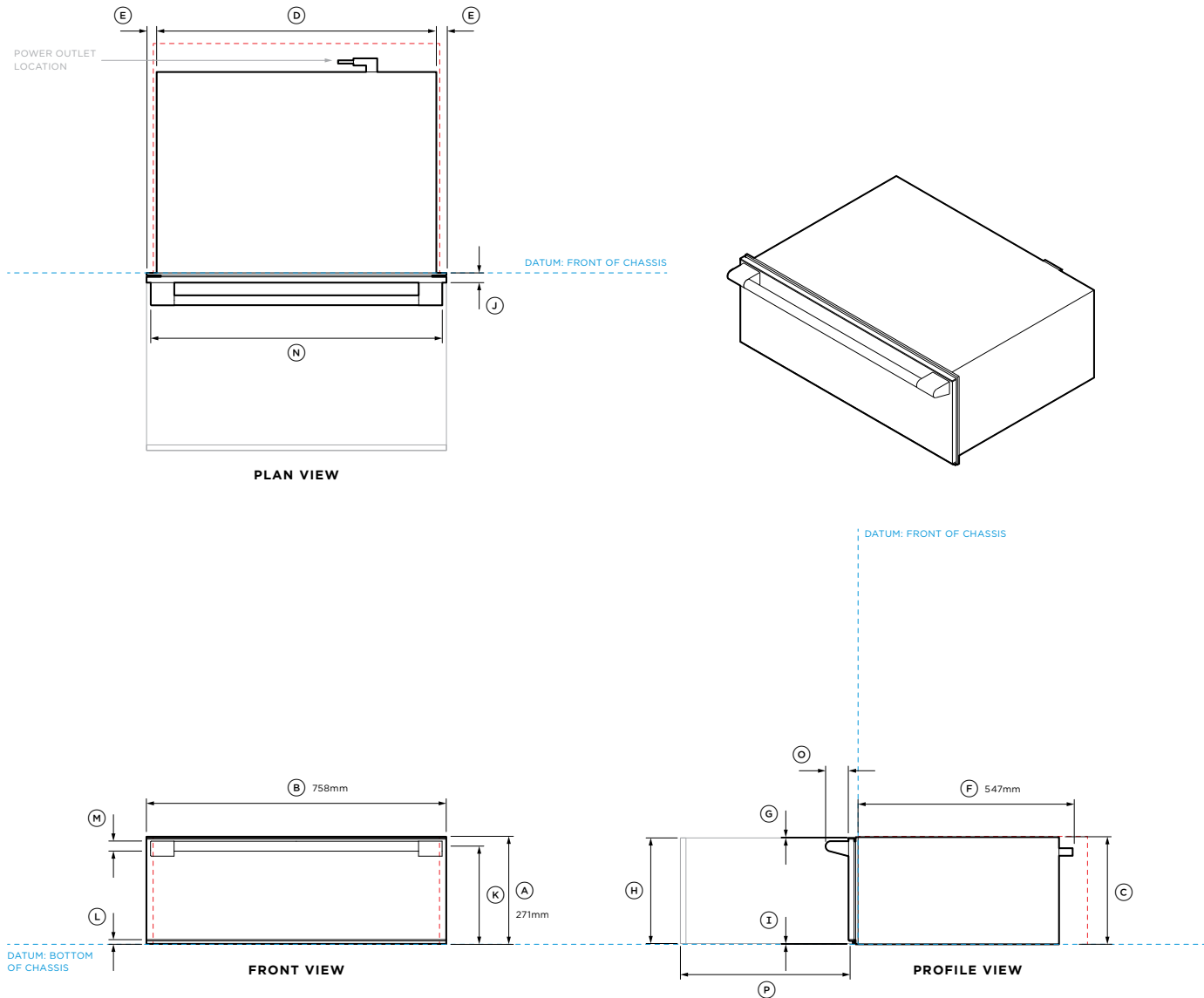
**Measured from front of chassis.

***A minimum ventilation area of 280cm², equivalent to 50mm x 560mm, is required. For more information, refer to the 'Ventilation' section of this Planning Guide.

----- INDICATES PRODUCT DATUM

----- INDICATES CABINETRY CLEARANCES

IMPORTANT NOTE: Throughout this guide, dimensions may vary by ±2mm (1/16"). Please read the installation manual for detailed information on installing the product. For full installation instructions & specifications visit fisherpaykel.com



Model no:

WB76SPEX3 76cm Series 9 Professional Warming Drawer

Product Dimensions

	mm
Ⓐ Overall height of product	271
Ⓑ Overall width of product	758
Ⓒ Height of chassis	271
Ⓓ Width of chassis	704
Ⓔ Distance from side of chassis to front panel	25.5
Ⓕ Depth of chassis (including power plug)	547
Ⓖ Height from top of front panel to top of chassis	2
Ⓗ Height of front panel	267
Ⓘ Height from bottom datum to bottom of front panel	2
Ⓙ Thickness of front panel	24
Ⓚ Height from bottom datum to centerline of handle rail	249
Ⓛ Visual gap height	13
Ⓜ Thickness of handle rail	25
Ⓝ Width of handle	737
Ⓞ Depth of handle	58
Ⓟ Depth of drawer open*	429

*Measured from front of front panel.

Minimum Clearances

	mm
Minimum inside height of cavity	273
Minimum inside width of cavity	724
Minimum inside depth of cavity*	580
Minimum clearance above products front panel to upper cabinetry front panel or appliance**	4
Minimum clearance between adjacent front panel or appliance	2
Recommended cabinet height	273
Recommended cabinet width	762

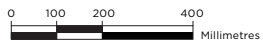
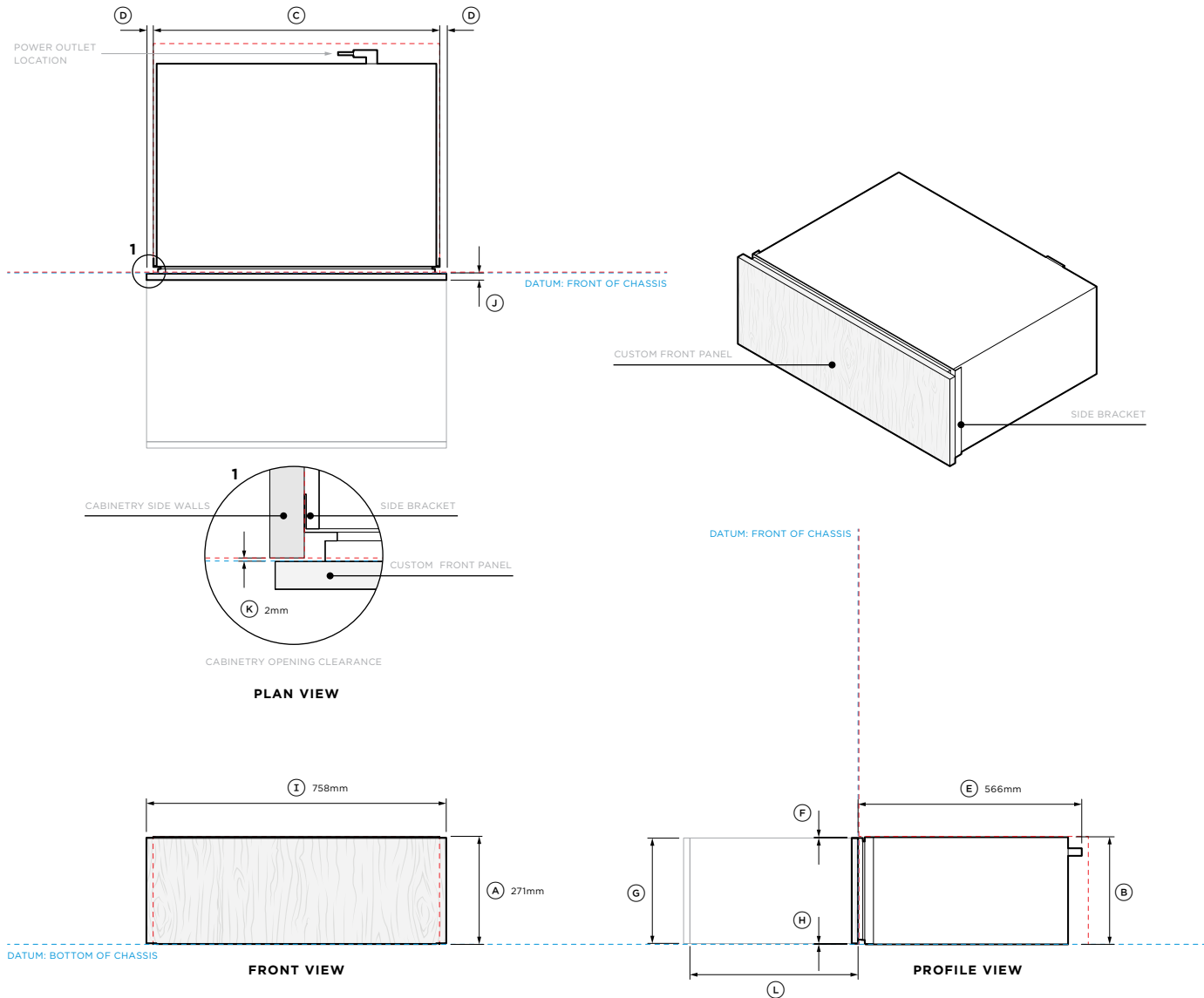
*Measured from front of chassis.

**Achieve a smaller gap between product front panel to upper cabinetry front panel by dropping cabinetry front panel down.

Note: Drawers can fully support 76cm Fisher & Paykel ovens, without adding shelf in between.

----- INDICATES PRODUCT DATUM
 - - - - - INDICATES CABINETRY CLEARANCES

IMPORTANT NOTE: Throughout this guide, dimensions may vary by ±2mm (1/16"). Please read the installation manual for detailed information on installing the product. For full installation instructions & specifications visit fisherpaykel.com



Model no:

WB76SDEI3 76cm Series 9 Integrated Warming Drawer

Product Dimensions

	mm
(A) Overall height of product	271
(B) Height of chassis	271
(C) Width of chassis (including side bracket)	723
(D) Distance from side bracket to custom front panel	17
(E) Depth of chassis (including power plug)	566
(F) Height from top of custom front panel to top of chassis	2
(G) Height of custom front panel	min 267
(H) Height from bottom datum to bottom of custom front panel	2
(I) Width of custom front panel	min 758
(J) Thickness of custom front panel	min 16
(K) Clearance behind custom front panel for push-to-open mechanism*	2
(L) Depth of drawer open**	425

*A clearance of 2mm between the cabinet and the custom front panel is required for the push-to-open mechanism (spacer included).

**Measured from front of chassis.

Note: Maximum custom front panel weight 5kg.

Minimum Clearances

	mm
Minimum inside height of cavity	273
Minimum inside width of cavity	724
Minimum inside depth of cavity*	580
Minimum clearance above product custom front panel to upper cabinetry front panel or appliance	2
Minimum clearance between adjacent front panel or appliance	2
Recommended cabinet height	273
Recommended cabinet width	762

*Measured from front of chassis.

Note: Drawers can fully support 76cm Fisher & Paykel ovens, without adding shelf in between.

----- INDICATES PRODUCT DATUM

----- INDICATES CABINETY CLEARANCES

IMPORTANT NOTE: Throughout this guide, dimensions may vary by ±2mm (1/16"). Please read the installation manual for detailed information on installing the product. For full installation instructions & specifications visit fisherpaykel.com

PLANNING CONSIDERATIONS

DIVIDING SHELF

If the appliance front panel is thicker than the cabinetry front panel, adjust the dividing shelf depth to ensure the oven sits flush with the front of the cabinetry.

BLACK CLASHING

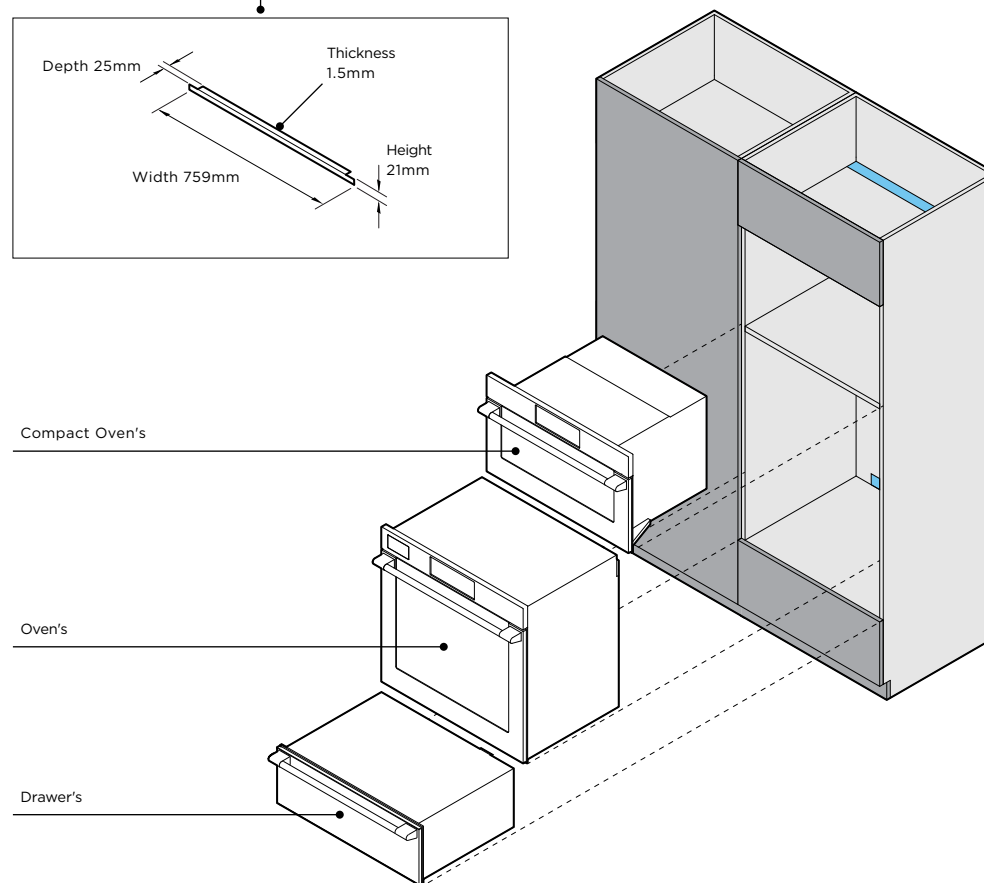
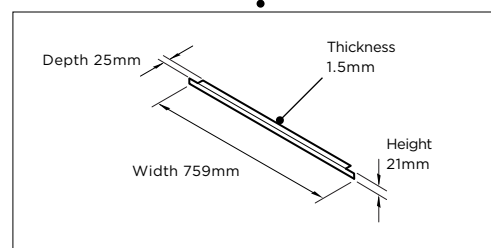
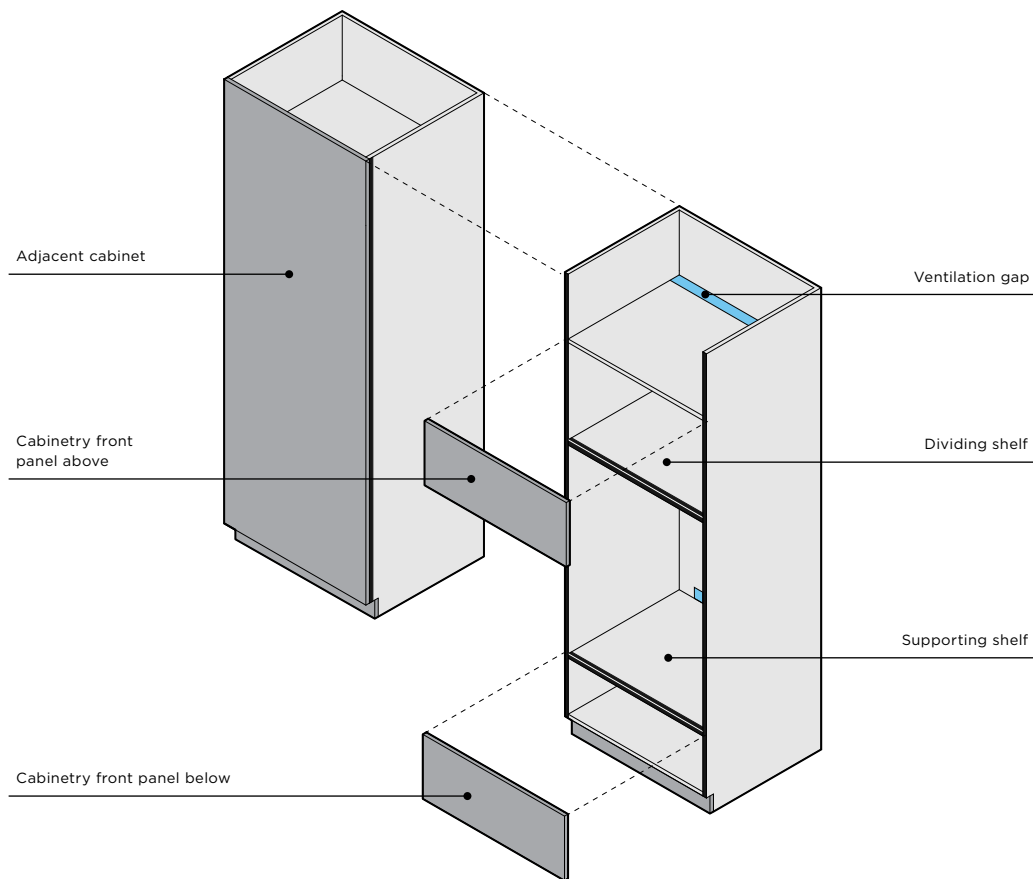
Black clashing is recommended on front facing edges and openings where products are located and on side cabinets if cabinet is rebated.

OVEN CABINETRY TRIM

If using light-colored cabinets, we recommend using black cabinetry trim to help hide the cabinetry beneath the front door panel of the appliance. Ensure the trim height does not interfere with any appliances or cabinetry below. Black cabinetry trim is included with ovens.

LEVEL CABINETRY

Check the shelves are level and the side panels are straight.



The models shown in this Planning Guide may not be available in all markets and are subject to change at any time. Product specifications may vary from those shown. This Planning Guide should not be used as installation guidance for any product. Further information is required to safely and correctly install the products featured here. Specific installation guidance will be available with the product on delivery and on our website fisherpaykel.com

UNDERBENCH

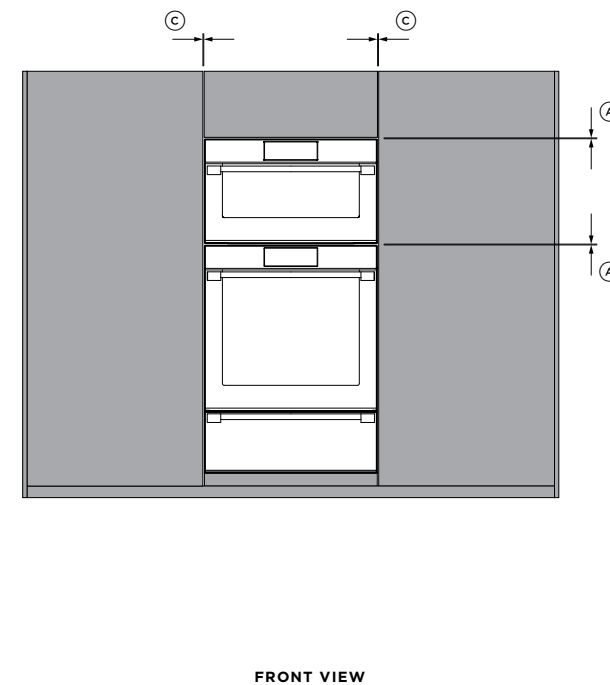
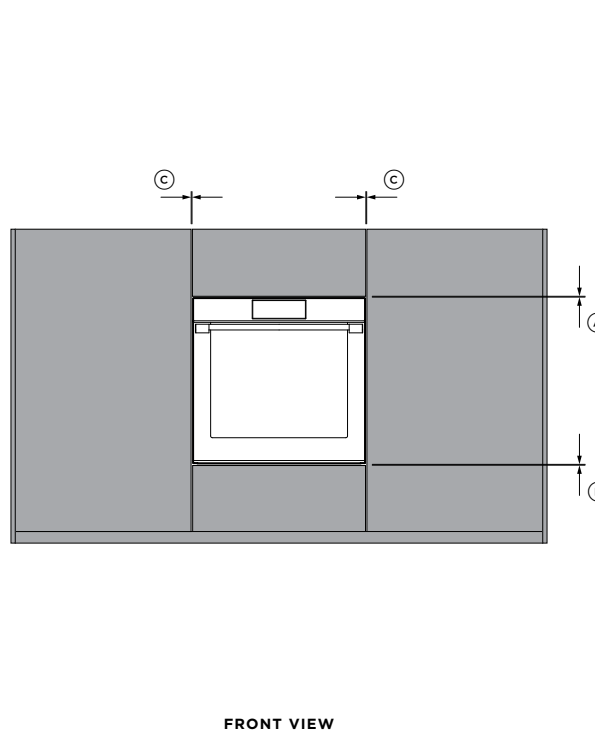
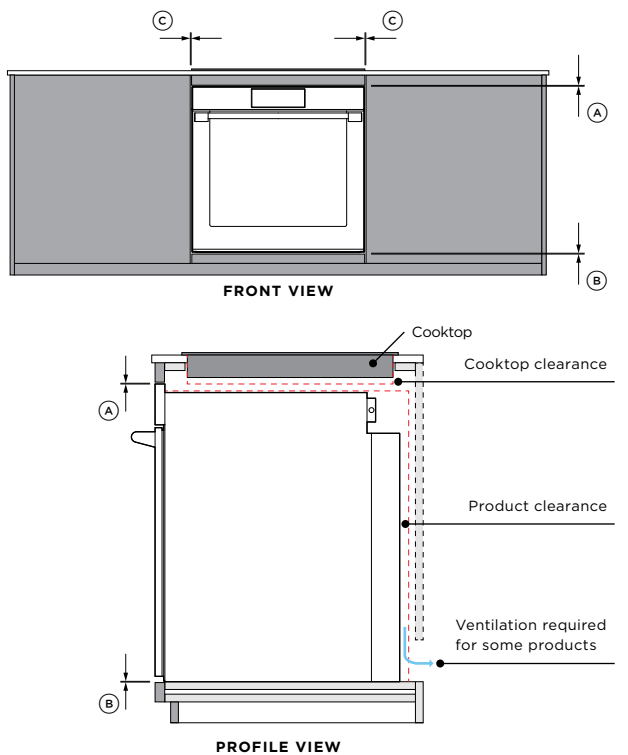
If installing a cooktop above the oven, ensure adequate clearance is provided for the cooktop as per the cooktop manufacturer's instructions.

SINGLE INSTALLATION

Head to the individual product 'Cabinetry' section in this Planning Guide for details.

STACKED OR GRID

Head to the 'Stack Height' section in this Planning Guide for details.

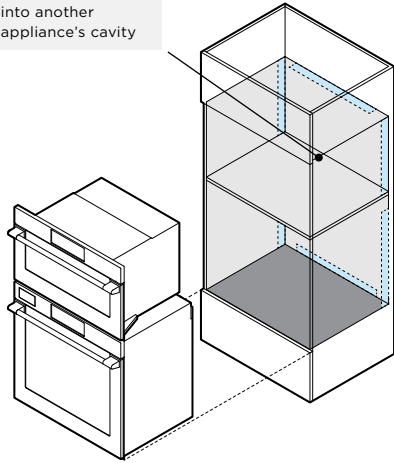


Clearances	mm
(A) Minimum clearance above product control panel/front panel to upper cabinetry front panel or appliance	2
(B) Minimum clearance between bottom of chassis to lower cabinetry front panel or appliance*	2
(C) Minimum clearance between adjacent front panel or appliance	2

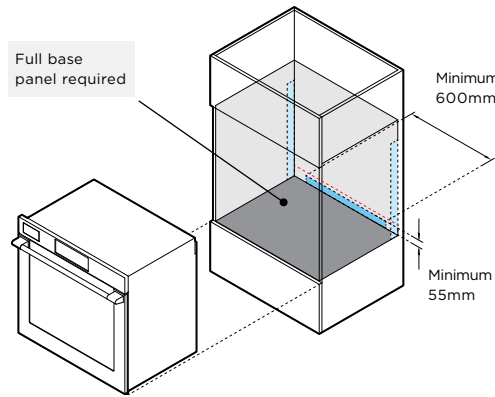
*Only applies to Pyrolytic Oven and Pyrolytic Steam Assist Oven.

The models shown in this Planning Guide may not be available in all markets and are subject to change at any time. Product specifications may vary from those shown. This Planning Guide should not be used as installation guidance for any product. Further information is required to safely and correctly install the products featured here. Specific installation guidance will be available with the product on delivery and on our website fisherpaykel.com

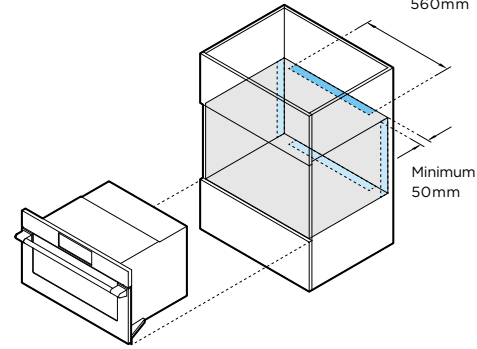
Do not vent directly into another appliance's cavity



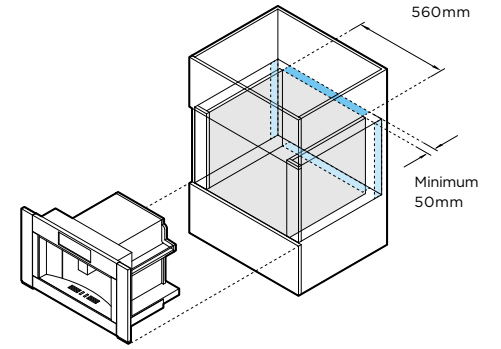
Full base panel required



Minimum 560mm



Minimum 560mm



Options for total minimum ventilation area

VENTILATION

Ventilation is required to ensure proper performance of certain products.

Possible Venting Locations:

- Space behind the cabinet
- Upper cavity (not a product cavity)
- Toe kick cavity
- Adjacent cabinetry (not a product cavity)

Cabinet with back panel or installed against a wall:

Select one of the venting locations listed above, providing the required minimum ventilation area.

Cabinet without back panel:

If the cabinet is manufactured without a back panel and is not positioned directly against a wall, the open back will provide sufficient ventilation.

Do not vent directly into another appliance's cavity.

PYROLYTIC OVEN AND PYROLYTIC STEAM ASSIST OVEN

OB76SPPUX3, OB76SPPSUX3

VENTILATION PLACEMENT

Total minimum ventilation area	330cm ² or 55mm x 600mm
Cavity venting options*	sides or back

*If positioned at the back, it should be located no more than 80mm above the bottom of the chassis datum.

Note: Full base panel required for product to operate correctly. Venting can not be through the base panel.

COMPACT COMBI-MICROWAVE

OM76NPUX3

VENTILATION PLACEMENT

Total minimum ventilation area	280cm ² or 50mm x 560mm
Cavity venting options	base, sides or top

BUILT-IN COFFEE MAKER

EB76PSX3

VENTILATION PLACEMENT

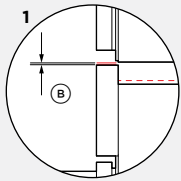
Total minimum ventilation area	280cm ² or 50mm x 560mm
Cavity venting options	base, sides or top

The models shown in this Planning Guide may not be available in all markets and are subject to change at any time. Product specifications may vary from those shown. This Planning Guide should not be used as installation guidance for any product. Further information is required to safely and correctly install the products featured here. Specific installation guidance will be available with the product on delivery and on our website fisherpaykel.com

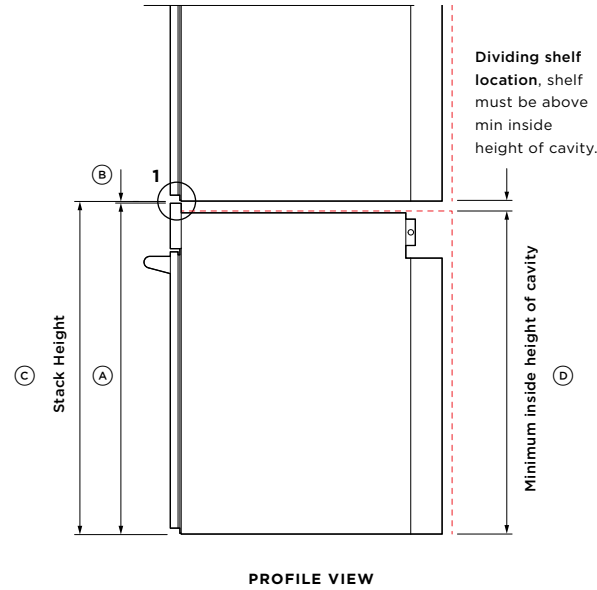
STACK HEIGHT

Stack height is overall product height with minimum clearance above appliance control panel or front panel.

$$\begin{array}{r}
 \text{A} \quad \text{Overall product height} \\
 + \\
 \text{B} \quad \text{Minimum clearance above appliance control panel or front panel to upper appliance} \\
 = \\
 \text{C} \quad \text{Stacked Height}
 \end{array}$$



PROFILE VIEW



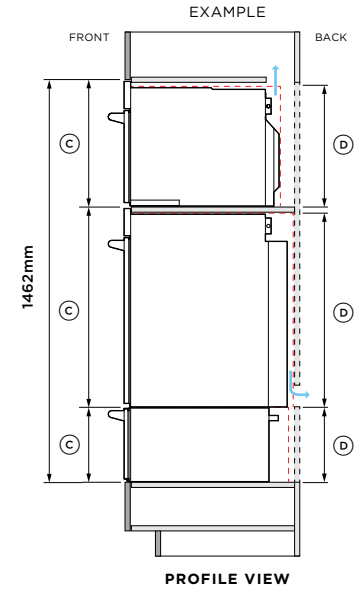
Dividing shelf location, shelf must be above min inside height of cavity.

Ventilation air vent is required at rear of cabinetry for some products.

Dividing shelves are required to support stacked appliances and to achieve correct clearance.

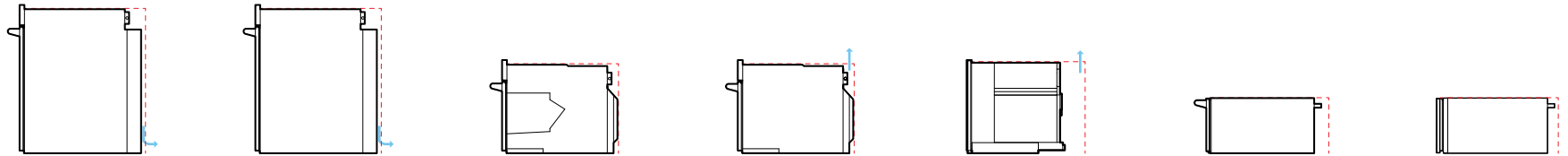
Dividing shelves must be constructed from material that will support the weight of the appliances. Ensure the oven is not bearing any weight from cabinetry or products installed above.

Drawers can fully support a 76cm Fisher & Paykel oven, without adding a shelf in between.



PROFILE VIEW

MINIMUM INSIDE HEIGHT OF CAVITY



	PYROLYTIC OVEN OB76SPPUX3	PYROLYTIC STEAM ASSIST OVEN OB76SPPSUX3	COMPACT COMBI-STEAM OVEN OS76NPUX3	COMPACT COMBI-MICROWAVE OVEN OM76NPUX3	BUILT-IN COFFEE MAKER WITH TRIM KIT EB76PSX3	WARMING DRAWER WB76SPEX3	INTEGRATED WARMING DRAWER WB76SDEI3
DIMENSIONS	mm	mm	mm	mm	mm	mm	mm
A Overall product height	729	729	458	458	458	271	271
B Minimum clearance above	2	2	2	2	2	-	-
C Stack height	731	731	460	460	460	271*	271*
D Minimum inside height of cavity	712	712	440	440	450	-	-

*Drawers can fully support 76cm Fisher & Paykel wall oven, without adding shelf in between. Note: Single installation of Drawers require minimum clearance above, head to individual product 'Cabinetry' section's of this Planning Guide for more details.

Model no:
OB76SPPUX3 76cm Series 9 Professional Pyrolytic Oven

Product Dimensions	mm
(A) Overall height of product	729
(B) Overall width of product	758
(C) Thickness of control panel (excludes handle)	24

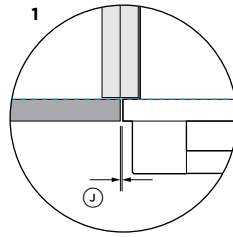
Cabinetry Dimensions	mm
(D) Recommended cabinet height/stack height	731
(E) Recommended cabinet width	762
(F) Minimum inside height of cavity	712
(G) Minimum inside width of cavity	724
(H) Minimum inside depth of cavity*	597
(I) Thickness of cabinetry front panel	min 16
Rear ventilation height**	55
Rear ventilation width**	600

*Measured from front of chassis.
**A minimum ventilation area of 330cm², equivalent to 55mm x 600mm, is required. For more information, refer to the 'Ventilation' section of this Planning Guide.

Note: Cabinetry requires a full base panel.

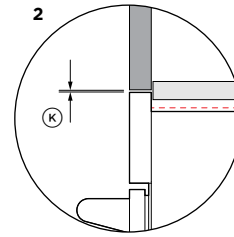
Cabinetry clearances	mm
(J) Minimum clearance between adjacent front panel or appliance	2
(K) Minimum clearance above product control panel to upper cabinetry front panel or appliance	2
(L) Minimum clearance between bottom of chassis to lower cabinetry front panel or appliance	2

Note: If installing a cooktop above the oven, ensure adequate clearance is provided for the cooktop as per the cooktop manufacturer's instructions.



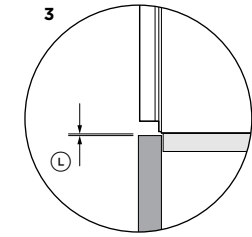
ADJACENT CABINET

PLAN VIEW



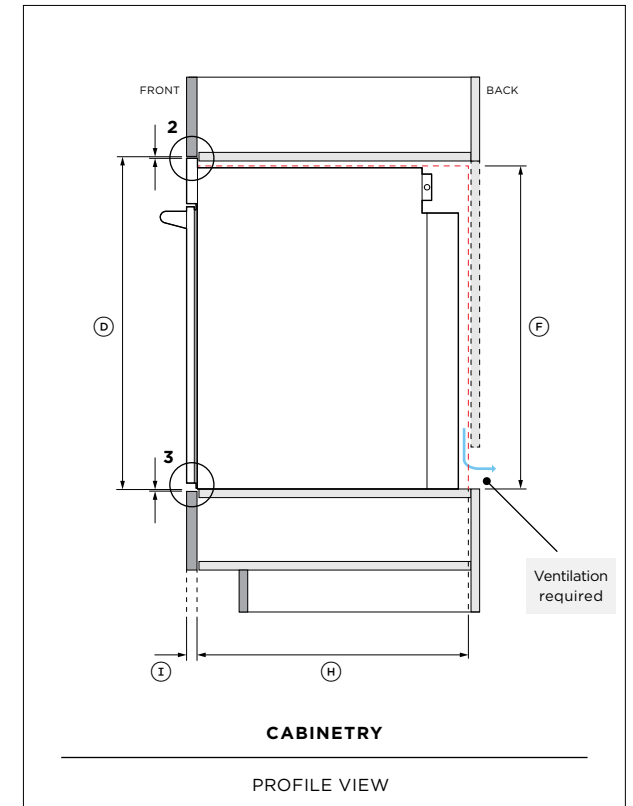
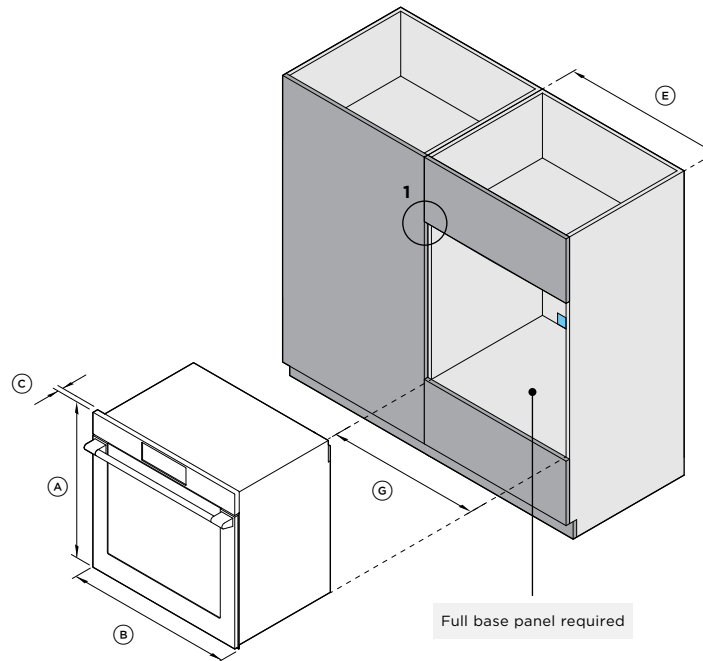
ABOVE CLEARANCE

PROFILE VIEW



BOTTOM CLEARANCE

PROFILE VIEW



Model no:
OB76SPPSUX3 76cm Series 11 Professional Pyrolytic Steam Assist Oven

Product Dimensions	mm
(A) Overall height of product	729
(B) Overall width of product	758
(C) Thickness of control panel (excludes handle)	24

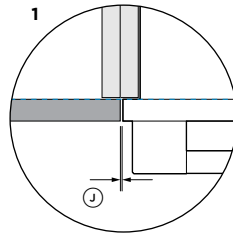
Cabinetry Dimensions	mm
(D) Recommended cabinet height/stack height	731
(E) Recommended cabinet width	762
(F) Minimum inside height of cavity	712
(G) Minimum inside width of cavity	724
(H) Minimum inside depth of cavity*	597
(I) Thickness of cabinetry front panel	min 16
Rear ventilation height**	55
Rear ventilation width**	600

*Measured from front of chassis.
**A minimum ventilation area of 330cm², equivalent to 55mm x 600mm, is required. For more information, refer to the 'Ventilation' section of this Planning Guide.

Note: Cabinetry requires a full base panel.

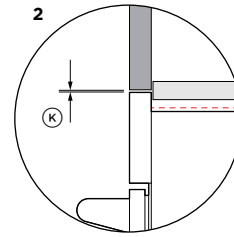
Cabinetry clearances	mm
(J) Minimum clearance between adjacent front panel or appliance	2
(K) Minimum clearance above product control panel to upper cabinetry front panel or appliance	2
(L) Minimum clearance between bottom of chassis to lower cabinetry front panel or appliance	2

Note: If installing a cooktop above the oven, ensure adequate clearance is provided for the cooktop as per the cooktop manufacturer's instructions.



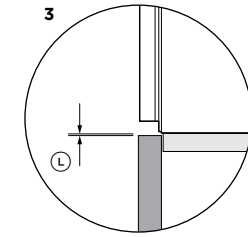
ADJACENT CABINET

PLAN VIEW



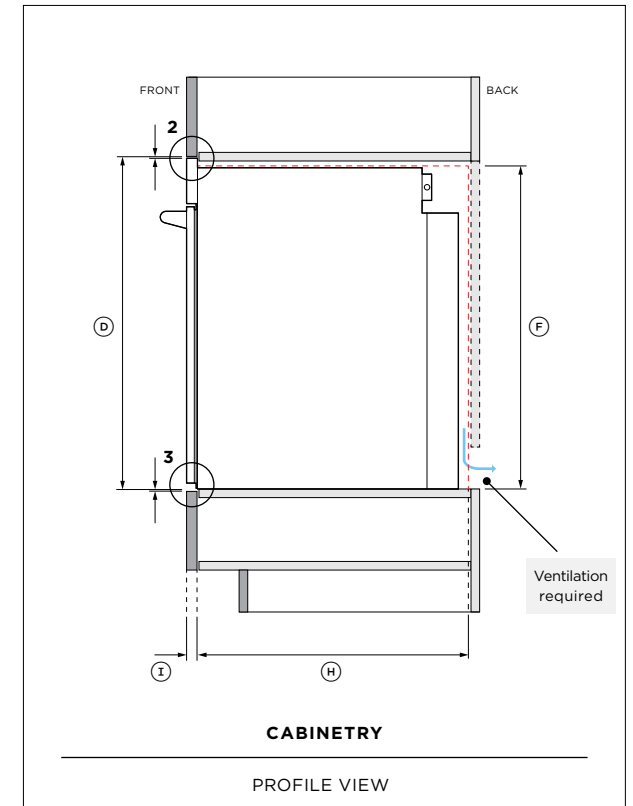
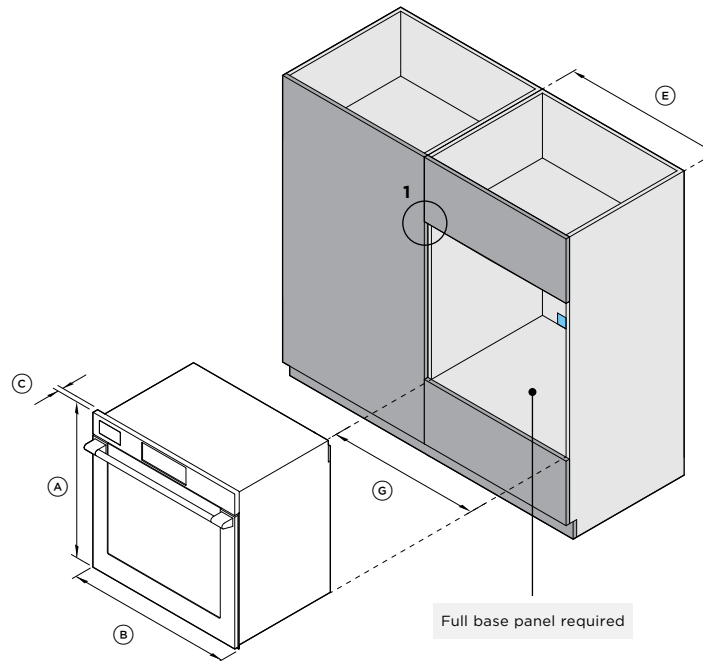
ABOVE CLEARANCE

PROFILE VIEW



BOTTOM CLEARANCE

PROFILE VIEW



CABINETRY

PROFILE VIEW

The models shown in this Planning Guide may not be available in all markets and are subject to change at any time. Product specifications may vary from those shown. This Planning Guide should not be used as installation guidance for any product. Further information is required to safely and correctly install the products featured here. Specific installation guidance will be available with the product on delivery and on our website fisherpaykel.com

Model no:
OS76NPUX3 76cm Series Professional Compact Combi-Steam Oven

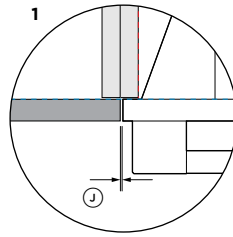
Product Dimensions		mm
A	Overall height of product	458
B	Overall width of product	758
C	Thickness of control panel (excludes handle)	24

Cabinetry Dimensions		mm
D	Recommended cabinet height/stack height	460
E	Recommended cabinet width	762
F	Minimum inside height of cavity	440
G	Minimum inside width of cavity	724
H	Minimum inside depth of cavity*	550
I	Thickness of cabinetry front panel	min 16

*Measured from front of chassis.

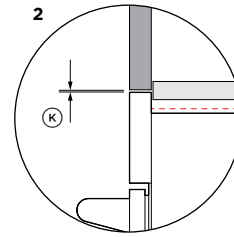
Cabinetry clearances		mm
J	Minimum clearance between adjacent front panel or appliance	2
K	Minimum clearance above product control panel to upper cabinetry front panel or appliance	2

Note: If installing a cooktop above the oven, ensure adequate clearance is provided for the cooktop as per the cooktop manufacturer's instructions.



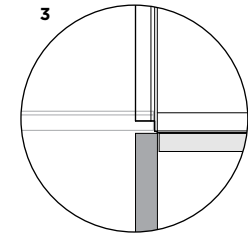
ADJACENT CABINET

PLAN VIEW



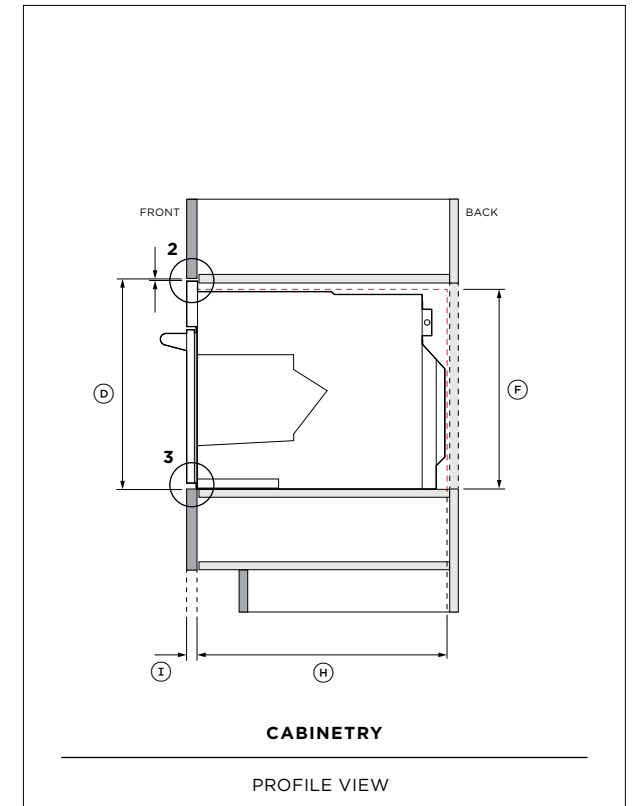
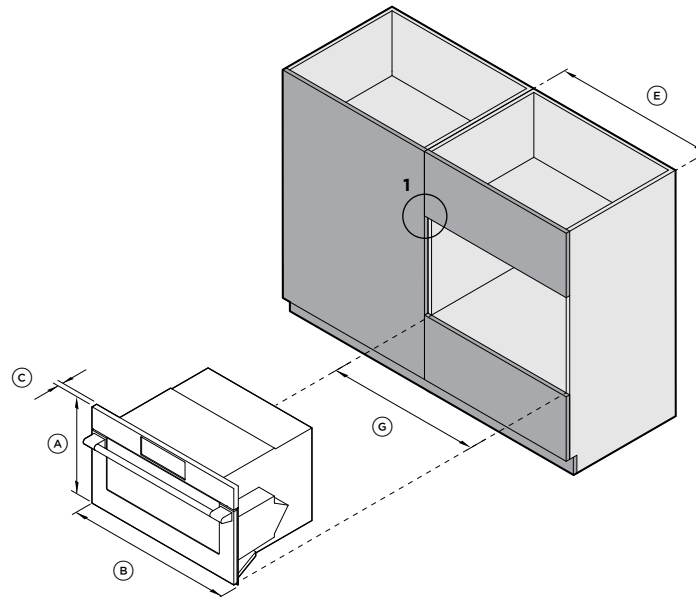
ABOVE CLEARANCE

PROFILE VIEW



BOTTOM CLEARANCE

Requires no clearance as door swings into product height

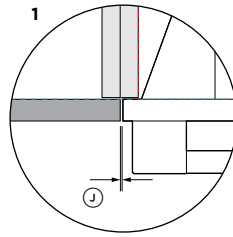


CABINETRY

PROFILE VIEW

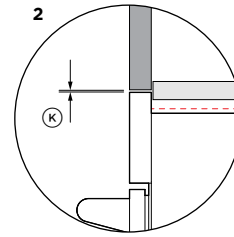
The models shown in this Planning Guide may not be available in all markets and are subject to change at any time. Product specifications may vary from those shown. This Planning Guide should not be used as installation guidance for any product. Further information is required to safely and correctly install the products featured here. Specific installation guidance will be available with the product on delivery and on our website fisherpaykel.com

Model no:	
OM76NPUX3	76cm Series 9 Professional Compact Combi-Microwave Oven
Product Dimensions	
(A) Overall height of product	458
(B) Overall width of product	758
(C) Thickness of control panel (excludes handle)	24
Cabinetry Dimensions	
(D) Recommended cabinet height/stack height	460
(E) Recommended cabinet width	762
(F) Minimum inside height of cavity	440
(G) Minimum inside width of cavity	724
(H) Minimum inside depth of cavity*	550
(I) Thickness of cabinetry front panel	min 16
Rear ventilation height**	50
Rear ventilation width**	560
*Measured from front of chassis.	
**A minimum ventilation area of 280cm ² , equivalent to 50mm x 560mm, is required. For more information, refer to the 'Ventilation' section of this Planning Guide.	
Cabinetry clearances	
(J) Minimum clearance between adjacent front panel or appliance	2
(K) Minimum clearance above product control panel to upper cabinetry front panel or appliance	2
Note: If installing a cooktop above the oven, ensure adequate clearance is provided for the cooktop as per the cooktop manufacturer's instructions.	



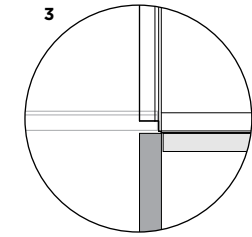
ADJACENT CABINET

PLAN VIEW



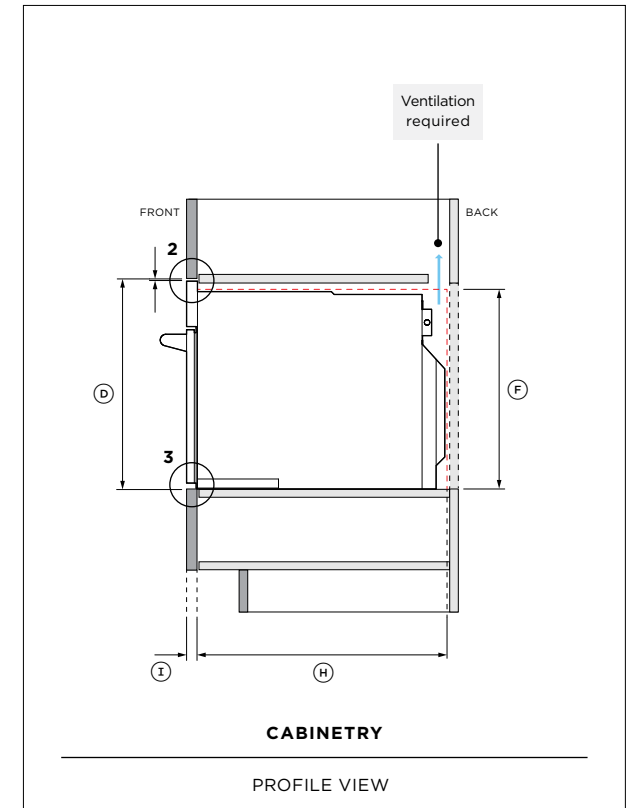
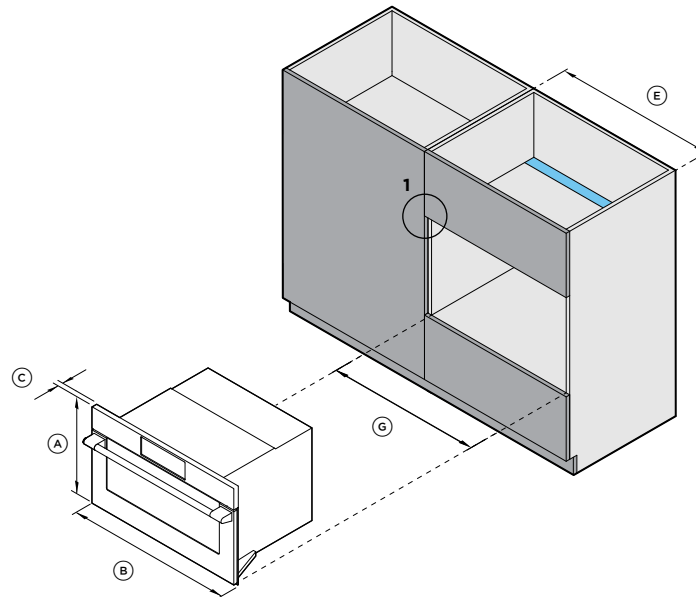
ABOVE CLEARANCE

PROFILE VIEW



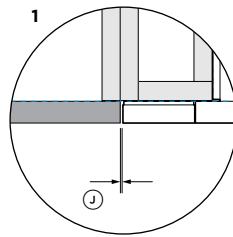
BOTTOM CLEARANCE

Requires no clearance as door swings into product height



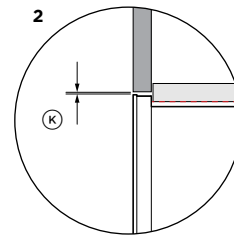
The models shown in this Planning Guide may not be available in all markets and are subject to change at any time. Product specifications may vary from those shown. This Planning Guide should not be used as installation guidance for any product. Further information is required to safely and correctly install the products featured here. Specific installation guidance will be available with the product on delivery and on our website fisherpaykel.com

Model no:	
EB76PSX3	76cm Series 9 Professional Built-in Coffee Maker
Product Dimensions	
mm	
(A) Overall height of product	458
(B) Overall width of product	758
(C) Thickness of control panel	24
Cabinetry Dimensions	
mm	
(D) Recommended cabinet height/stack height	460
(E) Recommended cabinet width	762
(F) Minimum inside height of cavity	450
(G) Minimum inside width of cavity	560
(H) Minimum inside depth of cavity*	545
(I) Thickness of cabinetry front panel	min 16
Rear ventilation height**	50
Rear ventilation width**	560
*Measured from front of chassis.	
**A minimum ventilation area of 280cm ² , equivalent to 50mm x 560mm, is required. For more information, refer to the 'Ventilation' section of this Planning Guide.	
Cabinetry clearances	
mm	
(J) Minimum clearance between adjacent front panel or appliance	2
(K) Minimum clearance above product control panel to upper cabinetry front panel or appliance	2



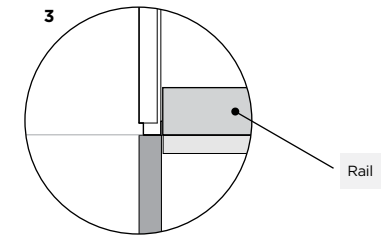
ADJACENT CABINET

PLAN VIEW



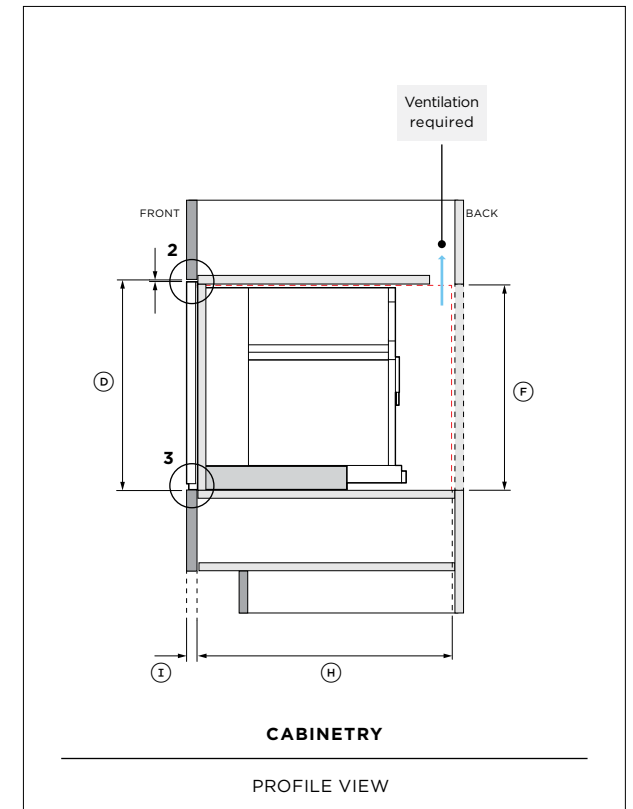
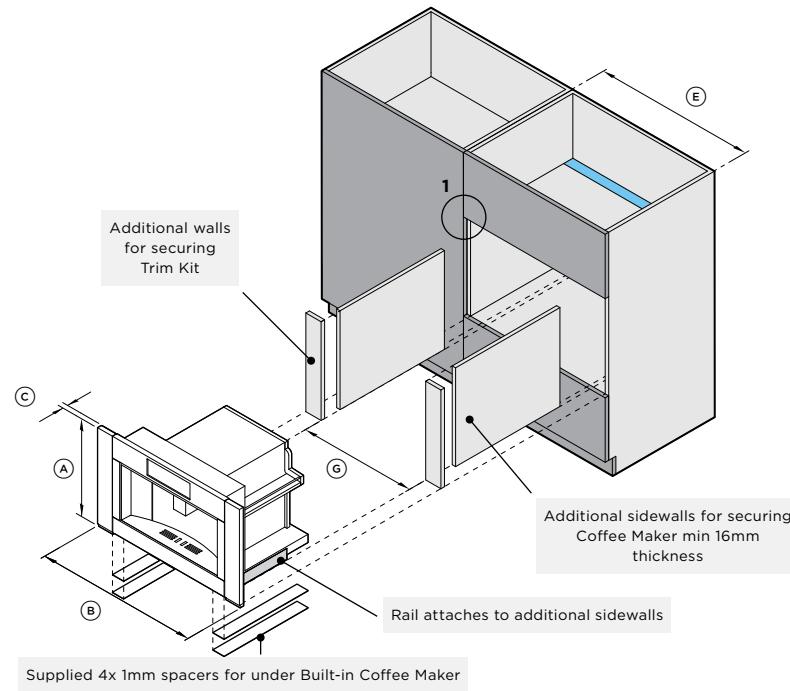
ABOVE CLEARANCE

PROFILE VIEW



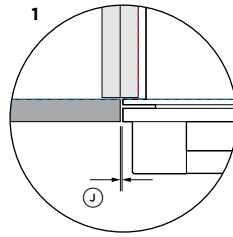
BOTTOM CLEARANCE

Requires no clearance



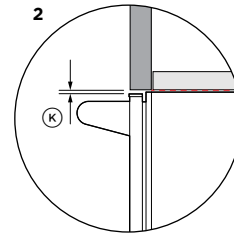
The models shown in this Planning Guide may not be available in all markets and are subject to change at any time. Product specifications may vary from those shown. This Planning Guide should not be used as installation guidance for any product. Further information is required to safely and correctly install the products featured here. Specific installation guidance will be available with the product on delivery and on our website fisherpaykel.com

Model no:	
WB76SPEX3	76cm Series 9 Professional Warming Drawer
Product Dimensions	
	mm
(A) Overall height of product	271
(B) Overall width of product	758
(C) Thickness of front panel	24
Cabinetry Dimensions	
	mm
(D) Recommended cabinet height - single install	273
(E) Recommended cabinet width	762
(F) Minimum inside height of cavity	273
(G) Minimum inside width of cavity	724
(H) Minimum inside depth of cavity*	580
(I) Thickness of cabinetry front panel	min 16
*Measured from front of chassis.	
Cabinetry clearances	
	mm
(J) Minimum clearance between adjacent front panel or appliance	2
(K) Minimum clearance above products front panel to upper cabinetry front panel or appliance*	4
*Achieve a smaller gap between product front panel to upper cabinetry front panel by dropping cabinetry front panel down.	
Note: Drawers can fully support 76cm Fisher & Paykel ovens, without adding shelf in between.	



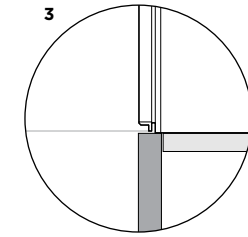
ADJACENT CABINET

PLAN VIEW



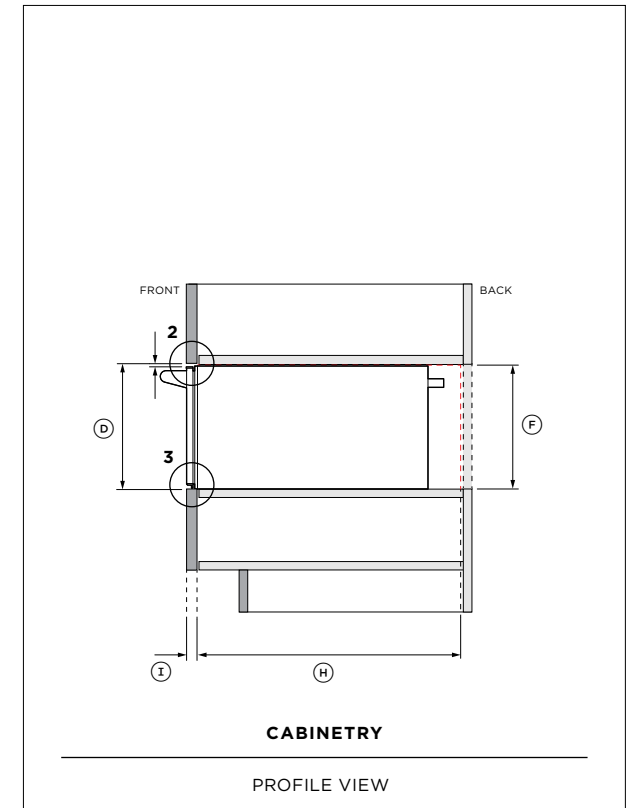
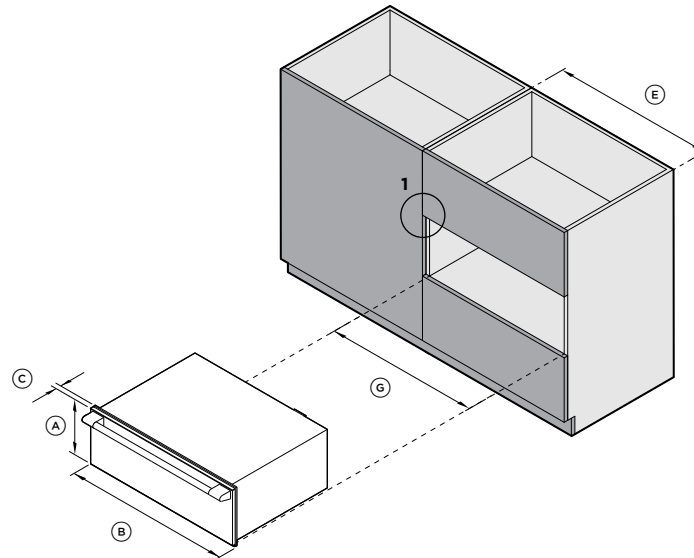
ABOVE CLEARANCE

PROFILE VIEW



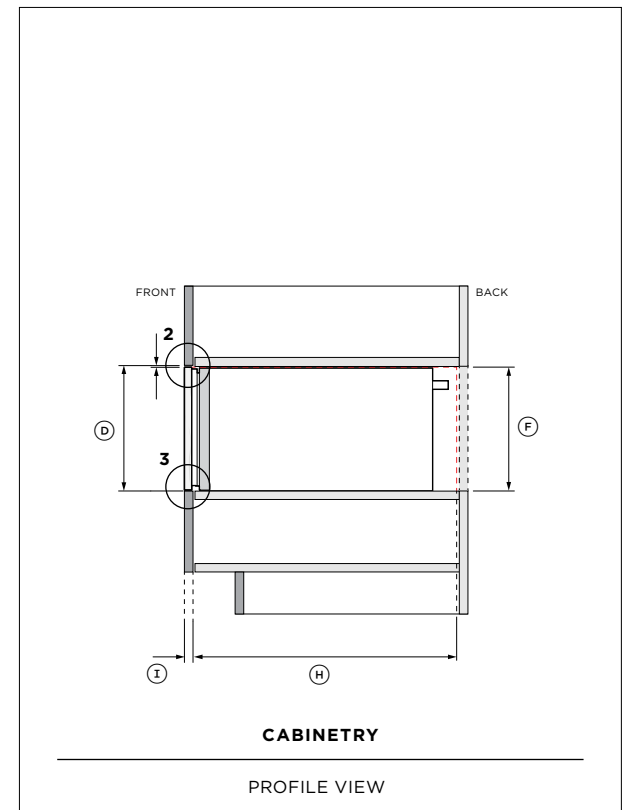
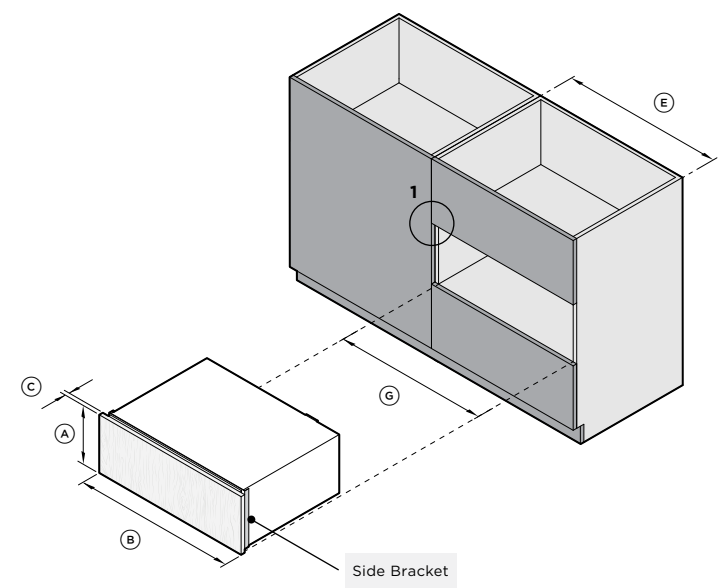
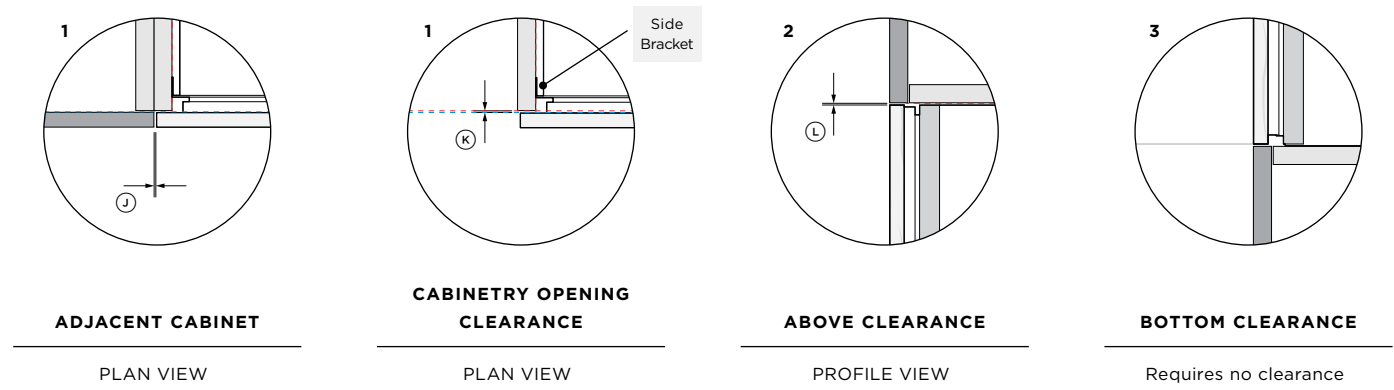
BOTTOM CLEARANCE

Requires no clearance



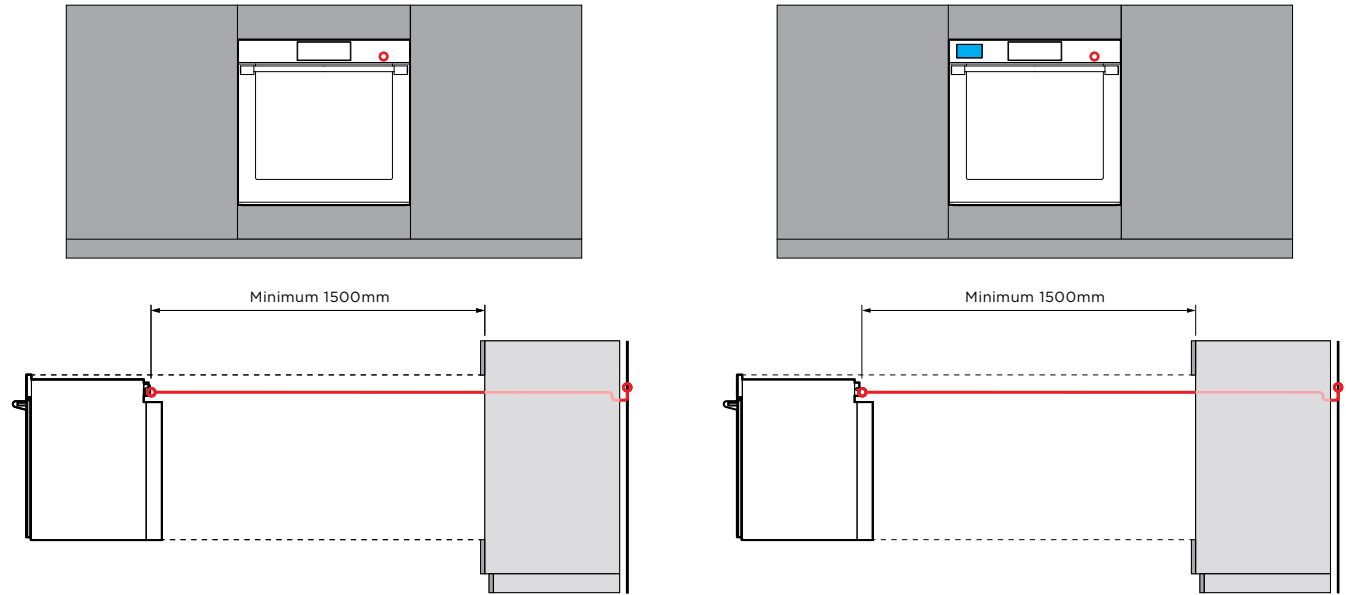
The models shown in this Planning Guide may not be available in all markets and are subject to change at any time. Product specifications may vary from those shown. This Planning Guide should not be used as installation guidance for any product. Further information is required to safely and correctly install the products featured here. Specific installation guidance will be available with the product on delivery and on our website fisherpaykel.com

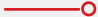

Model no:	
WB76SDEI3	76cm Series 9 Integrated Warming Drawer
Product Dimensions	
	mm
(A) Overall height of product	271
(B) Overall width of product	758
(C) Thickness of custom front panel	min 16
Note: Maximum custom front panel weight 5kg.	
Cabinetry Dimensions	
	mm
(D) Recommended cabinet height - single install	273
(E) Recommended cabinet width	762
(F) Minimum inside height of cavity	273
(G) Minimum inside width of cavity	724
(H) Minimum inside depth of cavity*	580
(I) Thickness of cabinetry front panel	min 16
*Measured from front of chassis.	
Cabinetry clearances	
	mm
(J) Minimum clearance between adjacent front panel or appliance	2
(K) Clearance behind custom front panel for push-to-open mechanism*	2
(L) Minimum clearance above product custom front panel to upper cabinetry front panel or appliance	2
*A clearance of 2mm between the cabinet and the custom front panel is required for the push-to-open mechanism (spacer included).	
Note: Drawers can fully support 76cm Fisher & Paykel ovens, without adding shelf in between.	



The models shown in this Planning Guide may not be available in all markets and are subject to change at any time. Product specifications may vary from those shown. This Planning Guide should not be used as installation guidance for any product. Further information is required to safely and correctly install the products featured here. Specific installation guidance will be available with the product on delivery and on our website fisherpaykel.com

SERVICES



POWER CABLE 
 WATER TANK 

CONNECTION

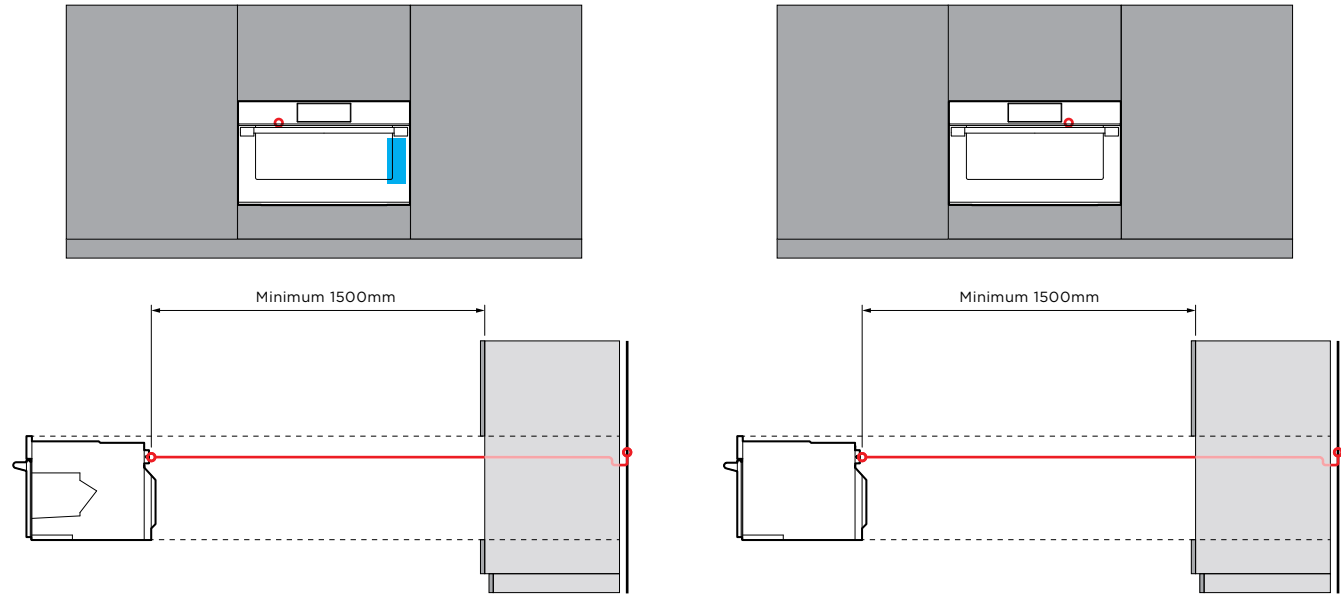
Connections may be located in an adjacent cabinet to either side of the appliance. Ensure power will remain accessible following install to allow access for any future product maintenance.

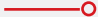

POWER CORD	
Power cord free length*	
Location	
Connection**	
*The electrician provides sufficient free length of power supply cable to reach from the bottom rear of the cavity to at least 1500mm in front of the bottom edge of the opening. **For more information, refer to the Installation Guide.	
ELECTRICAL	
Supply	
Service	
Note: Multiple product installation requires the design of power outlets according to local regulations.	
CAPACITY	
Total oven capacity	
Total water tank capacity	

PYROLYTIC OVEN OB76SPPUX3	
Minimum 1500mm	
Upper right	
Hard wired	
220-240 V, 50 Hz	
20 A	
137L	
-	

PYROLYTIC STEAM ASSIST OVEN OB76SPPSUX3	
Minimum 1500mm	
Upper right	
Hard wired	
220-240 V, 50 Hz	
20 A	
137L	
0.67L	

The models shown in this Planning Guide may not be available in all markets and are subject to change at any time. Product specifications may vary from those shown. This Planning Guide should not be used as installation guidance for any product. Further information is required to safely and correctly install the products featured here. Specific installation guidance will be available with the product on delivery and on our website fisherpaykel.com



POWER CABLE 
WATER TANK 

CONNECTION

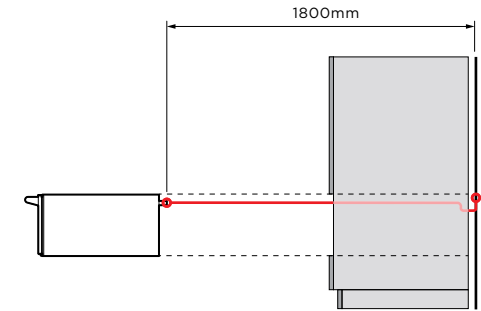
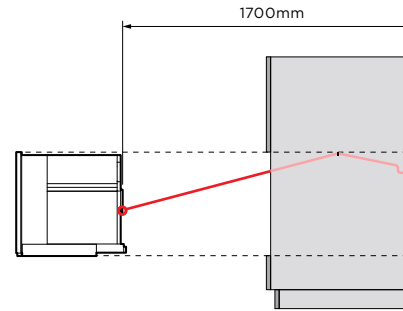
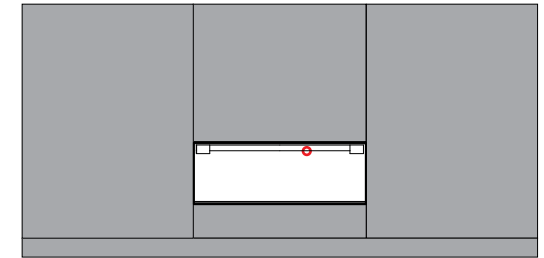
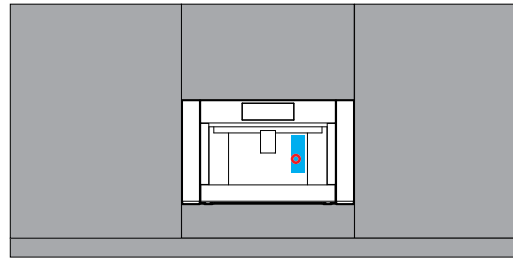
Connections may be located in an adjacent cabinet to either side of the appliance. Ensure power will remain accessible following install to allow access for any future product maintenance.

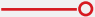
POWER CORD	
Power cord free length*	
Location	
Connection**	
*The electrician provides sufficient free length of power supply cable to reach from the bottom rear of the cavity to at least 1500mm in front of the bottom edge of the opening. **For more information, refer to the Installation Guide.	
ELECTRICAL	
Supply	
Service	
Note: Multiple product installation requires the design of power outlets according to local regulations.	
CAPACITY	
Total oven capacity	
Total water tank capacity	

COMPACT COMBI-STEAM OVEN OS76NPUX3	
Minimum 1500mm	
Upper Left	
Hard wired	
220-240 V, 50 Hz	
20 A	
55L	
1.4L	

COMPACT COMBI-MICROWAVE OVEN OM76NPUX3	
Minimum 1500mm	
Upper right	
Hard wired	
220-240 V, 50 Hz	
20 A	
49L	

The models shown in this Planning Guide may not be available in all markets and are subject to change at any time. Product specifications may vary from those shown. This Planning Guide should not be used as installation guidance for any product. Further information is required to safely and correctly install the products featured here. Specific installation guidance will be available with the product on delivery and on our website fisherpaykel.com



POWER CABLE 
 WATER TANK 

CONNECTION

Connections may be located in an adjacent cabinet to either side of the appliance. Ensure power will remain accessible following install to allow access for any future product maintenance.

POWER CORD	
Maximum power cord length*	
Location	
Connection**	
*Measured from power outlet, supplied with product. **For more information, refer to the Installation Guide.	
ELECTRICAL	
Supply	
Service	
Note: Multiple product installation requires the design of power outlets according to local regulations.	
CAPACITY	
Total water tank capacity	

BUILT-IN COFFEE MAKER WITH TRIM KIT EB76PSX3	
Maximum power cord length*	1700mm
Location	Lower centered
Connection**	Plug with flex cord
*Measured from power outlet, supplied with product. **For more information, refer to the Installation Guide.	
Supply	220-240 V, 50 Hz
Service	10 A
Note: Multiple product installation requires the design of power outlets according to local regulations.	
Total water tank capacity	2.4L

WARMING DRAWER AND INTEGRATED WARMING DRAWER WB76SDEI3, WB76SPEX3	
Maximum power cord length*	1800mm
Location	Upper right
Connection**	Plug with flex cord
*Measured from power outlet, supplied with product. **For more information, refer to the Installation Guide.	
Supply	220-240 V, 50 Hz
Service	10 A
Note: Multiple product installation requires the design of power outlets according to local regulations.	
Total water tank capacity	-

The models shown in this Planning Guide may not be available in all markets and are subject to change at any time. Product specifications may vary from those shown. This Planning Guide should not be used as installation guidance for any product. Further information is required to safely and correctly install the products featured here. Specific installation guidance will be available with the product on delivery and on our website fisherpaykel.com

