

**91CM FREESTANDING COOKER, INDUCTION**

---

# PLANNING GUIDE

---

RIV3-915

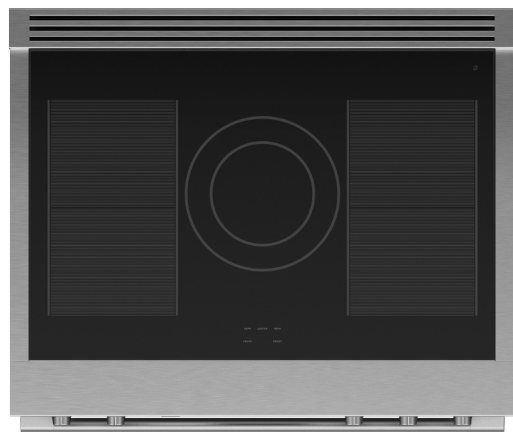
**FISHER & PAYKEL**

This comprehensive Planning Guide provides you with the framework and tools to achieve your desired design outcome with Fisher & Paykel appliances. In this guide, you will find a range of conceptual, detailed, and dimensional product information to bring your ideas to life and create spaces that truly reflect your vision.

**CONTENTS**

<b>CONCEPT DESIGN</b>		<b>DEVELOPED AND DETAILED DESIGN</b>	
	<b>PAGE</b>		<b>PAGE</b>
<b>Specification Guide</b>	<b>3</b>	<b>Data Sheet</b>	<b>6</b>
Freestanding Cooker, Induction, 91cm	<b>4</b>	Freestanding Cooker, Induction, 91cm	<b>7</b>

## SPECIFICATION GUIDE



### OVERVIEW

This 91cm Freestanding Cooker with Induction Cooktop offers the best of both worlds. Enjoy the instant-response, easy to clean and energy efficiency of induction cooking while the generous 136L total capacity oven offers plenty of space to cook multiple dishes at once. Easy-to-use, it has an intuitive touchscreen display, pairing powerful functionality with a singular aesthetic treatment.

### PRODUCTS

**RIV3-915**  
Freestanding Cooker, Induction, 91cm  
5 Zones, with SmartZone, Self-cleaning

### SERIES & STYLE

Series 9  
Professional

### FEATURES

- ① Generous size perfect for larger kitchens
- ② Five induction cooking zones, which can be paired to form two large SmartZones
- ③ Guided cooking using a touchscreen makes it simple to cook by food, function or recipe
- ④ Less heat is wasted during induction cooking as only the cookware is heated, not the cooktop surface
- ⑤ Single glass cooking surface can be easily wiped clean
- ⑥ Cooktop remains cool to touch until a pot or pan is placed on the surface
- ⑦ LED halo-illuminated dials provide information at a glance

### ACCESSORIES

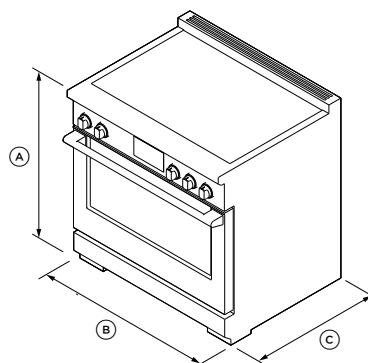
- ① Food probe
- ② Grill pan
- ③ Grill rack
- ④ Full-extension telescopic racks

The models shown in this Planning Guide may not be available in all markets and are subject to change at any time. Product specifications may vary from those shown. This Planning Guide should not be used as installation guidance for any product. Further information is required to safely and correctly install the products featured here. Specific installation guidance will be available on our website [fisherpaykel.com](http://fisherpaykel.com)

**SPECIFICATIONS**

<b>Model No.</b>	RIV3-915
<b>Dimensions</b>	<b>H</b> 908 - 933mm <b>W</b> 911mm <b>D</b> 740mm
<b>Weight</b>	
Packaged	200kg
Unpackaged	176kg
<b>Total Oven Capacity</b>	136L
<b>Door Clearance</b>	486mm
<b>Electrical</b>	
Supply	220-240 V, 50 Hz
Service	40 A
Connection	Terminal Block

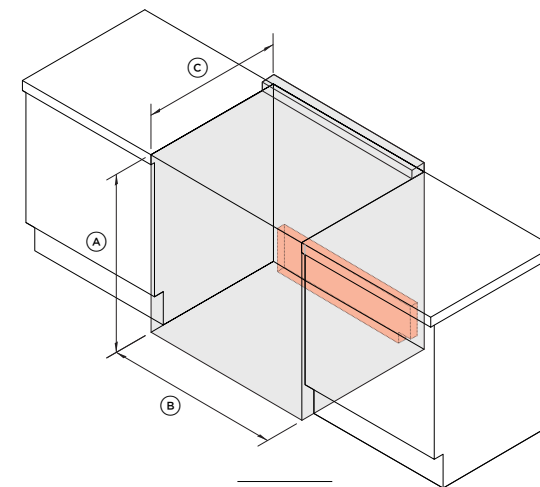
**PRODUCT DIMENSIONS**



ISO VIEW

	mm
(A) Overall height (from floor to cooktop, excl. vent trim)	min 908 max 933
(B) Overall width	911
(C) Overall depth (excl. handles and dials)	740

**CAVITY DIMENSIONS: STANDARD INSTALLATION**



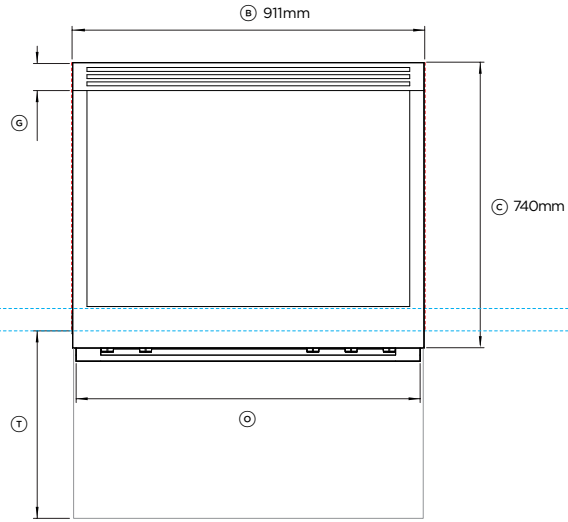
ISO VIEW

	mm
(A) Overall height of cavity*	908 933
(B) Overall width	914
(C) Minimal depth of cavity	
• Proud installation	644
• Flush installation	703
<b>Service area H152mm x W835mm x D51mm</b>	

\*Depending on height of range.

The models shown in this Planning Guide may not be available in all markets and are subject to change at any time. Product specifications may vary from those shown. This Planning Guide should not be used as installation guidance for any product. Further information is required to safely and correctly install the products featured here. Specific installation guidance will be available on our website [fisherpaykel.com](http://fisherpaykel.com)

## DATA SHEET

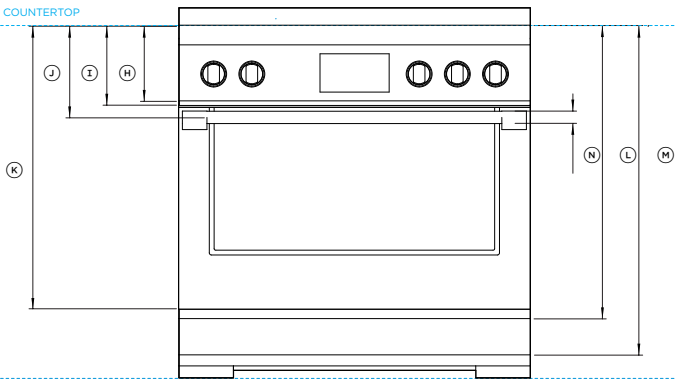


PLAN VIEW

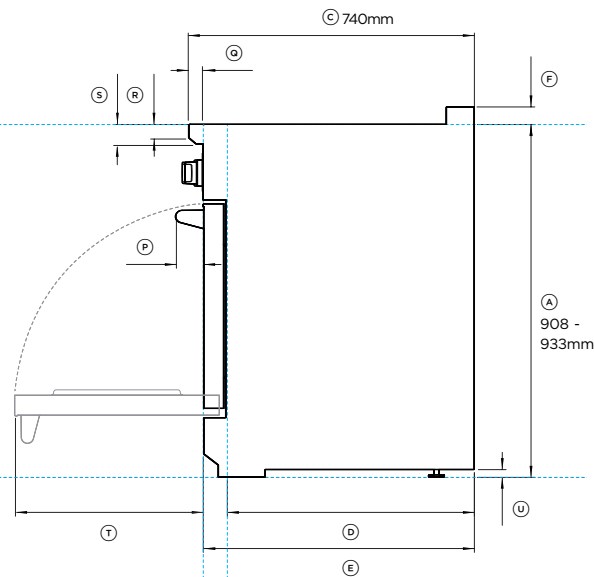
DATUM:  
PROUD INSTALLATION  
-----  
DATUM:  
FLUSH INSTALLATION  
-----

DATUM: TOP OF COUNTERTOP  
-----

DATUM: FLOOR  
-----



FRONT VIEW



PROFILE VIEW

DATUM: FLUSH INSTALLATION  
-----  
DATUM: PROUD INSTALLATION  
-----



**Model no:**

Freestanding Cooker, Induction, 91cm - RIV3-915

**Product Dimensions**

	<b>mm</b>
(A) Height of range (from floor to cooktop, excluding rear trim)	min 908 max 933
(B) Overall width of range	911
(C) Overall depth of product (excluding handle and dials)	740
(D) Depth of proud installation	644
(E) Depth of flush installation	703
(F) Height of rear trim	45
(G) Depth of rear trim	73
(H) Height from counter top to bottom of control panel	196
(I) Height from countertop to top of door	206
(J) Height of countertop to centre of handle	239
(K) Height from counter top to bottom of door	737
(L) Height from counter top of lower panel	761
(M) Height from counter top to bottom of lower panel	855
(N) Thickness of handle rail	32
(O) Width of handle (including off-stand)	892
(P) Depth of handle (measured from front of door)	73
(Q) Depth of front of cooktop to control panel	37
(R) Height of cooktop front face	35
(S) Height from top of cooktop to control panel	51
(T) Depth of open door to cabinetry face - flush	486
(U) Adjustable feet height	min 13 max 38

**Cavity Dimensions: Standard Installation**

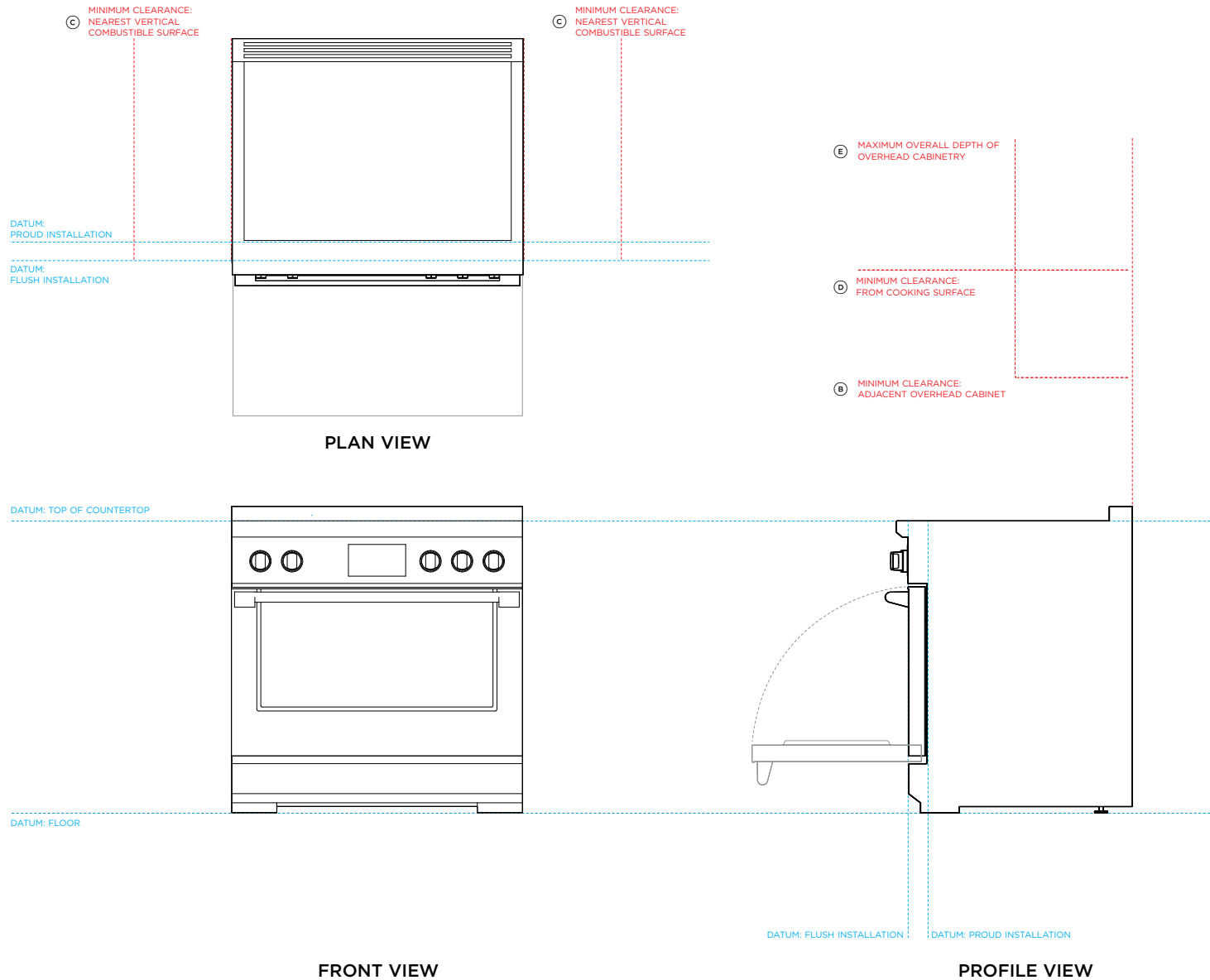
	<b>mm</b>
Overall width of cavity	min 914
Overall depth of cavity for proud installation	max 644
Overall depth of cavity for flush installation	max 703
Maximum height from floor to countertop:	
- for level counter	908
- with levelling legs fully extended	933

IMPORTANT NOTE: For full installation please refer to our installation manual

INDICATES CABINERY / PRODUCT DATUM -----

INDICATES CABINERY CLEARANCES - - - - -

IMPORTANT NOTE: Throughout this guide, dimensions may vary by ±2mm (1/16"). Please read the Installation Guide for detailed information on installing the product. For full installation instructions visit [fisherpaykel.com](http://fisherpaykel.com)



**Model no:**

Freestanding Cooker, Induction, 91cm - RIV3-915

**Clearance Dimensions**

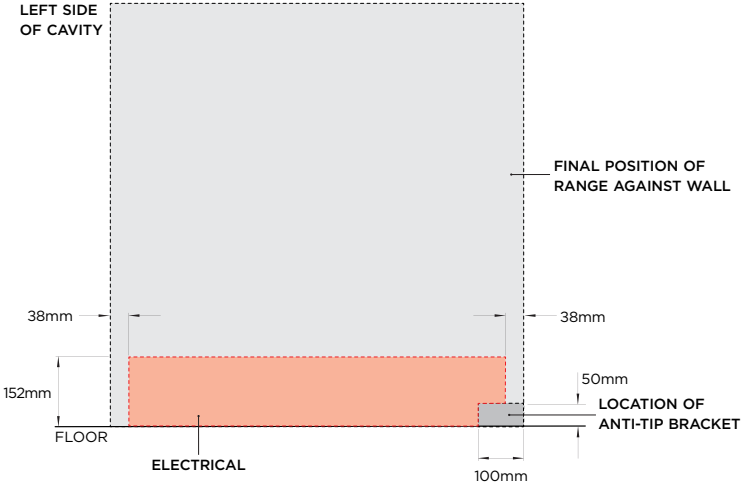
	<b>mm</b>
A Minimum width of ventilation hood installed above cooktop - not shown*	914
B Minimum vertical distance between countertop and cabinet extending above counter	457
C Minimum clearance from left and right edge of cooktop to nearest vertical combustible surface	305
D Minimum clearance from cooking surface to: - combustible surface centred above the cooking surface - combustible covering ventilation hood centred above the cooking surface - non combustible surface* centred above the cooking surface	762
E Maximum overall depth of overhead cabinetry	330

\*IMPORTANT NOTE: For full installation please refer to our installation manual

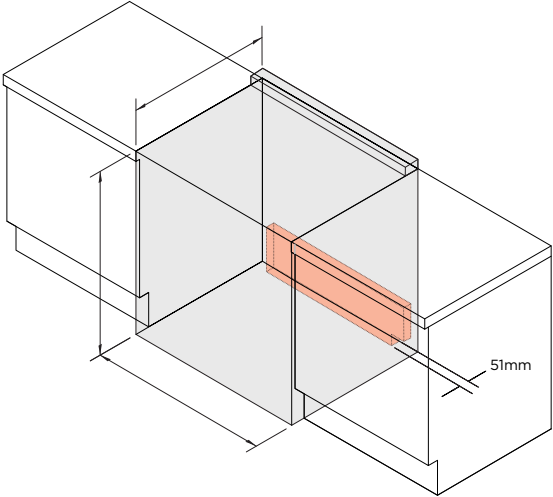
INDICATES CABINETRY / PRODUCT DATUM -----  
 INDICATES CABINETRY CLEARANCES - - - - -

IMPORTANT NOTE: Throughout this guide, dimensions may vary by ±2mm (1/16"). Please read the Installation Guide for detailed information on installing the product. For full installation instructions visit [fisherpaykel.com](http://fisherpaykel.com)





FRONT VIEW  
(REAR OF CAVITY)



ISO VIEW

**Model no:**

Freestanding Cooker, Induction, 91cm - RIV3-915

**Specifications**

<b>Oven total capacity</b>	136L
<b>Electrical</b>	
Supply	220-240 V, 50 Hz
Service	40 A
Connection	Terminal Block

IMPORTANT NOTE: For full installation please refer to our installation manual

INDICATES CABINETRY / PRODUCT DATUM -----  
 INDICATES CABINETRY CLEARANCES - - - - -

IMPORTANT NOTE: Throughout this guide, dimensions may vary by ±2mm (1/16"). Please read the Installation Guide for detailed information on installing the product. For full installation instructions visit [fisherpaykel.com](http://fisherpaykel.com)

