

HWF75KW1

# 7.5kg 300 Series Front Load Washing Machine

Haier



HWF75KW1

Height

850 - 865mm

Width

595mm

Depth

507mm

Weight (Packaged)

63kg

Weight (Product)

60kg

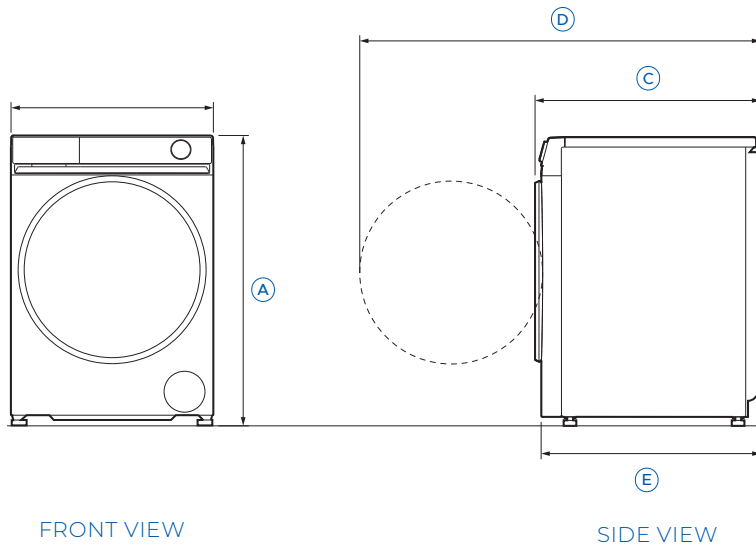
## FEATURES

- 7.5kg capacity ideal for smaller households
- Slim 507mm depth fits shallow cabinetry
- 4.5-star water and energy ratings
- Express 15 wash cycle for quick loads
- Add a Garment function for mid-cycle additions
- Refresh cycle uses steam to reduce odours and creases
- 15 wash programs including Sanitise option
- Anti-Bacteria Treatment (ABT) in door gasket
- Drum Clean cycle helps maintain hygienic performance

The models shown in this Specification Guide (SG) may not be available in all markets and are subject to change at any time. Product specifications may vary from those shown. This SG should not be used as installation guidance for any product. Further information is required to safely and correctly install the products featured here. Specific installation guidance will be available with the product on delivery and on our website [haier.com](http://haier.com)

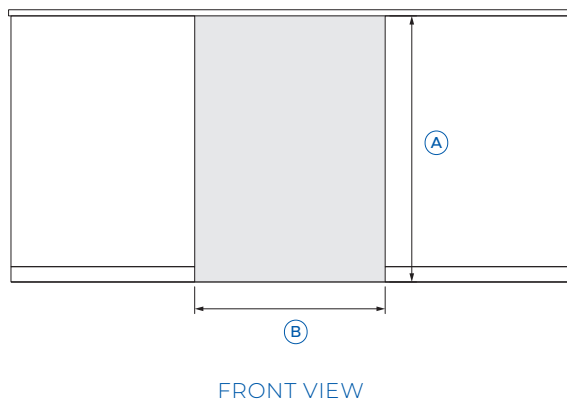
# Product Overview

## PRODUCT DIMENSIONS

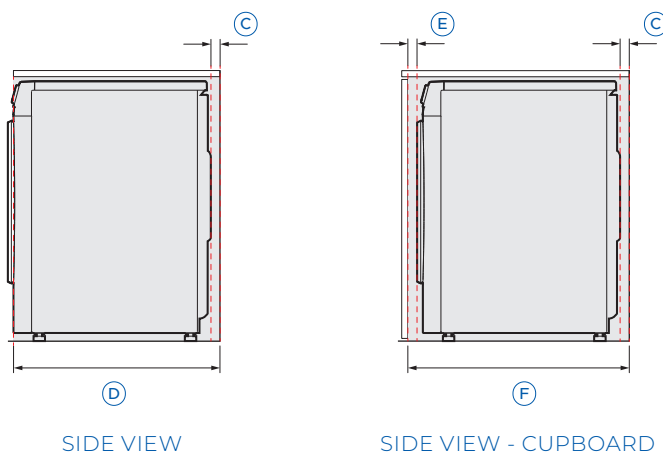


	mm
A Overall height	850 - 865
B Overall width	595
C Overall depth (door closed)	507
D Overall depth (door open)	992
E Overall depth (excluding door)	483

## CAVITY DIMENSIONS



	mm
A Minimum height of cavity	875
B Minimum width of cavity	635
C Minimum clearance at back of cavity	30
D Minimum depth of cavity (excluding product door)	523
E Minimum clearance at front of cavity for in cupboard	30
F Minimum depth of cavity in cupboard	577



Note: If installing behind a cabinetry door, it must be hinged on the same side as the washing machine. There must be a minimum clearance of 30mm from the front of the washing machine door to the internal face of the cabinetry door for the product to operate safely.

The enclosed space must be provided with sufficient ventilation to meet local building code requirements or the door must be open while the product is operating.

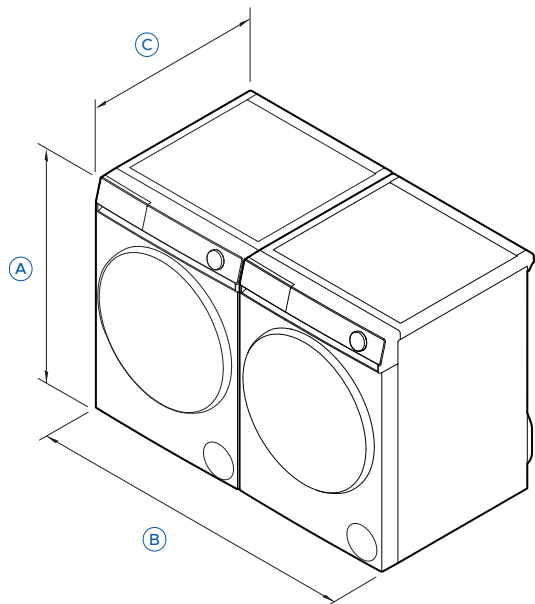
## SERVICES

· Supply	220-240 V, 50 Hz
· Service	10 A
· Connection	Flex cord with plug

The models shown in this Specification Guide (SG) may not be available in all markets and are subject to change at any time. Product specifications may vary from those shown. This SG should not be used as installation guidance for any product. Further information is required to safely and correctly install the products featured here. Specific installation guidance will be available with the product on delivery and on our website [haier.com](http://haier.com)

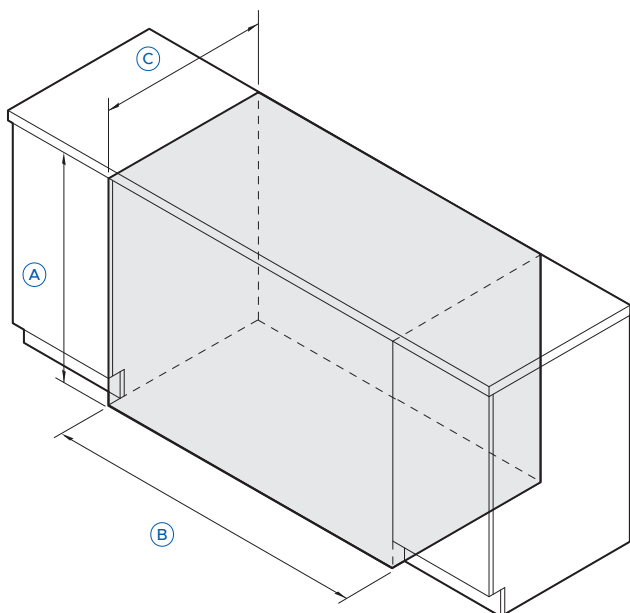
# Product Overview

## PRODUCT DIMENSIONS



		mm
A	Minimum height	850
B	Overall width	1207
C	Overall depth (door closed)	586

## CAVITY DIMENSIONS

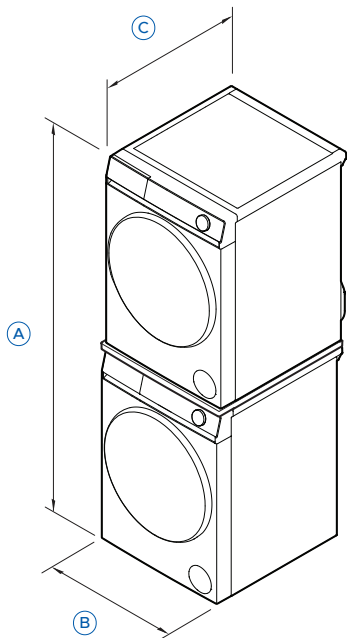


		mm
A	Minimum height of cavity	875
B	Minimum width of cavity	1248
C	Minimum depth of cavity (excluding product door)	598
	Minimum depth of cavity in cupboard	666

Note: For more details on ventilation and behind cupboard installation requirements, refer to the individual product overview pages.

# Product Overview

## PRODUCT DIMENSIONS

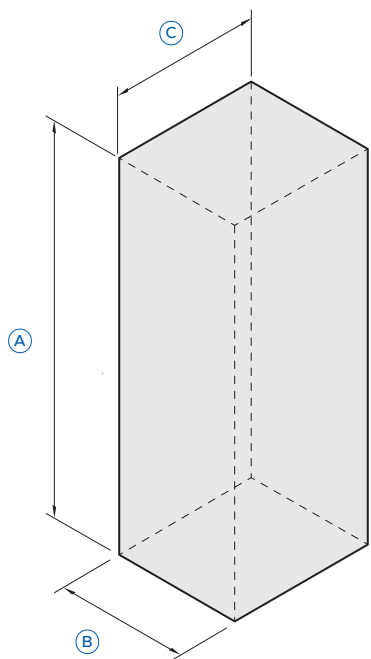


		mm
A	Minimum height*	1696
B	Overall width	595
C	Overall depth (door closed)	603

\*Including stacking kit height (sold separately).

## CAVITY DIMENSIONS

The stacking kit solution for this dryer requires a wall anchor and is not currently suitable for a cabinet installation.



		mm
A	Minimum height of cavity	1721
B	Minimum width of cavity	635
C	Minimum depth of cavity (excluding product door)	619

The models shown in this Specification Guide (SG) may not be available in all markets and are subject to change at any time. Product specifications may vary from those shown. This SG should not be used as installation guidance for any product. Further information is required to safely and correctly install the products featured here. Specific installation guidance will be available with the product on delivery and on our website [haier.com](http://haier.com)