

MODULAR COOKTOPS

PLANNING GUIDE

39CM MODULAR PRIMARY INDUCTION COOKTOP | CI392DTTB1, CI392DTTG1

60CM MODULAR PRIMARY INDUCTION COOKTOP | CI604DTTB1, CI604DTTG1

76CM MODULAR PRIMARY INDUCTION COOKTOP | CI764DTTB1, CI764DTTG1

90CM MODULAR PRIMARY INDUCTION COOKTOP | CI905DTTB1, CI905DTTG1

30CM MODULAR AUXILIARY INDUCTION COOKTOP | CI302DB1, CI302DG1

39CM MODULAR AUXILIARY INDUCTION COOKTOP | CI392DB1, CI392DG1

30CM MODULAR AUXILIARY TEPPANYAKI COOKTOP | CIT302DX1

39CM MODULAR AUXILIARY TEPPANYAKI COOKTOP | CIT392DX1

13CM MODULAR AUXILIARY DOWNDRAFT EXTRACTOR | CD13DB1, CD13DG1, CD13DB2, CD13DG2

39CM GAS COOKTOP | CG391DLPGB5, CG391DLPGG5, CG391DTGGB5, CG391DTGGG5

INTRODUCTION

This comprehensive planning guide provides you with the framework and tools to achieve your desired design outcome with Fisher & Paykel appliances. In this guide, you will find a range of conceptual, detailed, and dimensional product information to bring your ideas to life and create spaces that truly reflect your vision.

CONTENTS

CONCEPT DESIGN	PAGE
Specification Guide	3
System Overview	4
Modules	6

SUPPORT

For additional design planning and installation support please contact the Fisher & Paykel design support team.
designsupport@fisherpaykel.com

NOTES

The models shown in this Planning Guide may not be available in all markets and are subject to change at any time. Refer to our website fisherpaykel.com for the latest document version. Product specifications may vary from those shown. This Planning Guide should not be used as installation guidance for any product. Specific installation guidance will be available with the product on delivery and on our website.

DEVELOPED AND DETAILED DESIGN	PAGE
Data Sheets	9
Primary Induction Cooktop, 39cm	10
Primary Induction Cooktop, 60cm	11
Primary Induction Cooktop, 76cm	12
Primary Induction Cooktop, 90cm	13
Auxiliary Induction Cooktop, 30cm	14
Auxiliary Teppanyaki Cooktop, 30cm	15
Auxiliary Induction Cooktop, 39cm	16
Auxiliary Teppanyaki Cooktop, 39cm	17
Gas on Glass Modular Cooktop, 39cm	18
Modular Auxiliary Downdraft Component Overview	19
Modular Auxiliary Downdraft - CD13DB1, CD13DG1	20
Modular Auxiliary Downdraft - CD13DB2, CD13DG2	23
Recirculation Kit	26
Modular Auxiliary Downdraft - Optional Accessories	28
Product Decisions	29
Modular System Overview	30
Model Overview	31
Modular Ventilation Capabilites	32

DEVELOPED AND DETAILED DESIGN	PAGE
Planning Considerations	33
Installation Overview	34
Installation Planning	35
Typical Configurations with Modular Ventilation	36
Typical Configurations with Overhead Ventilation	37
Benchtop Details	38
Clamping Locations	39
Cooktop Ventilation	40
Installation with Built in Ovens	41
Modular Downdraft Components	42
Modular Downdraft Ducting	43
Modular Downdraft System Dimensions	44
Modular Downdraft Venting	45
Electrical Services	46
Modular Connections	48

IMPORTANT NOTE

DO NOT install the cooktop directly above a dishwasher, fridge, freezer, washing machine or clothes dryer, as the humidity may damage the cooktop electronics.

SPECIFICATION GUIDE



OVERVIEW

Create the ultimate culinary solution with our Series 9 and 11 modular cooktops. Using the different induction, teppan, ventilation and gas on glass modules, you can customize the cooking area at the scale and format best suited to architectural plan and user needs. Fusing precise induction technology with innovative design, these modules are crafted to seamlessly work together for perfect results.

FEATURES

- ① Tailor the cooking space by pairing primary induction cooktop modules with complementary auxiliary cooktops, downdraft ventilation and teppan modules.
- ② Control the complete connected suite from the primary cooktop using a large intuitive touchscreen.
- ③ Gas on Glass is independently controlled via a manual dial for precise and flexible cooking options.
- ④ Each module is designed to fit flush or raised with the countertop for complete design freedom.
- ⑤ Choose from a Minimal-style, sleek black glass or subtle grey glass finish to suit your kitchen design.
- ⑥ SmartHQ™ app connectivity to monitor cook status and product.
- ⑦ Wireless Temperature Sensor precisely monitors and controls cooking in real time, for complete control.*
- ⑧ Poach, Sous Vide and other Cook by Method functions are available on product, when using the Wireless Temperature Sensor.

* Selected models only.

PRODUCT OVERVIEW

PRIMARY MODULAR INDUCTION COOKTOPS

With touchscreen user interface

CI392DTTB1 (Black), CI392DTTG1 (Grey)

39cm Primary Modular Induction Cooktop, 2 Zones with SmartZone

CI604DTTB1 (Black), CI604DTTG1 (Grey)

60cm Primary Modular Induction Cooktop, 4 Zones with SmartZone

CI764DTTB1 (Black), CI764DTTG1 (Grey)

76cm Primary Modular Induction Cooktop, 4 Zones with SmartZone

CI905DTTB1 (Black), CI905DTTG1 (Grey)

90cm Primary Modular Induction Cooktop, 5 Zones with SmartZone

AUXILIARY MODULAR COOKTOPS

No user interface. Controlled via paired primary cooktop.

CI302DB1 (Black), CI302DG1 (Grey)

30cm Auxiliary Modular Induction Cooktop, 2 Zones with SmartZone

CI392DB1 (Black), CI392DG1 (Grey)

39cm Auxiliary Modular Induction Cooktop, 2 Zones with SmartZone

CIT302DX1

30cm Auxiliary Modular Teppanyaki Cooktop, 2 Zones

CIT392DX1

39cm Auxiliary Modular Teppanyaki Cooktop, 2 Zones

PRODUCT OVERVIEW CONTINUED

AUXILIARY MODULAR VENTILATION

No user interface. Controlled via paired primary cooktop.

CD13DB1 (Black), CD13DG1 (Grey)

13cm Modular Auxiliary Downdraft Extractor, 300x70

CD13DB2 (Black), CD13DG2 (Grey)

13cm Modular Auxiliary Downdraft Extractor, 222x89

GAS ON GLASS MODULAR COOKTOP

Dial control, independantly controlled.

CG391DLPGB5 (Black) CG391DLPGG5 (Grey)

39cm Gas on Glass Modular Cooktop, LPG

CG391DTGGB5 (Black) CG391DTGGG5 (Grey)

39cm Gas on Glass Modular Cooktop, Town Gas

ACCESSORIES

WTSC1

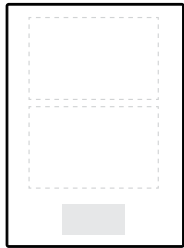
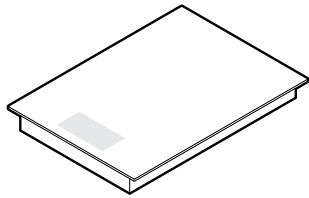
Wireless Temperature Sensor (1x included per Primary Modular Induction Cooktop. Also available to purchase separately).

KRCID834

Recirculation Kit

Ducting

A full range of ducting components are available f (1x set included per Modular Auxilliary Downdraft, see data sheet for component list. Also available to purchase separately)



**39CM PRIMARY MODULAR INDUCTION COOKTOP,
2 ZONES WITH SMARTZONE**

Model no:
CI392DTTB1 Black
CI392DTTG1 Grey

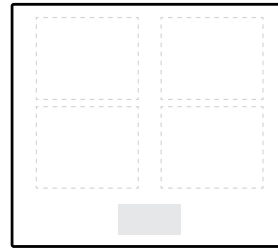
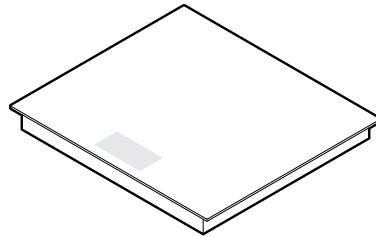


Dimensions	W x D x H
Product	385 x 530 x 62
Glass	385 x 530 x 6
Cutout, proud	347 x 507
Cutout, flush	347 x 509
Recess, flush	389 x 534 x 6.5

Power Requirements

Supply	220-240 V, 50 Hz / 60 Hz
Service	16 A
Connection	Power cord, stripped ends, 1 N
Power Cable	1700 mm

Weight	8 kg
---------------	------



**60CM PRIMARY MODULAR INDUCTION COOKTOP,
4 ZONES WITH SMARTZONE**

Model no:
CI604DTTB1 Black
CI604DTTG1 Grey

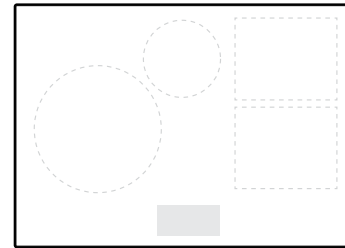
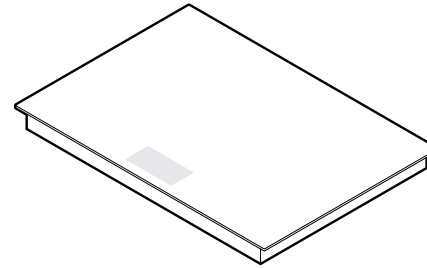


Dimensions	W x D x H
Product	600 x 530 x 62
Glass	600 x 530 x 6
Cutout, proud	562 x 507
Cutout, flush	562 x 509
Recess, flush	604 x 534 x 6.5

Power Requirements

Supply	220-240 V, 50 Hz / 60 Hz
Service	32 A
Connection	Terminal block, 1 N or 2 N
Power Cable	not supplied

Weight	14 kg
---------------	-------



**76CM PRIMARY MODULAR INDUCTION COOKTOP,
4 ZONES WITH SMARTZONE**

Model no:
CI764DTTB1 Black
CI764DTTG1 Grey

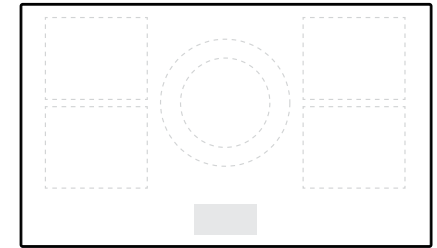
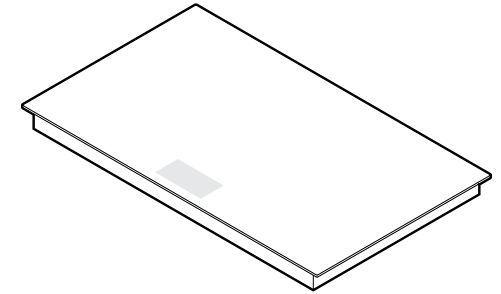


Dimensions	W x D x H
Product	760 x 530 x 62
Glass	760 x 530 x 6
Cutout, proud	722 x 507
Cutout, flush	722 x 509
Recess, flush	764 x 534 x 6.5

Power Requirements

Supply	220-240 V, 50 Hz / 60 Hz
Service	32 A
Connection	Terminal block, 1 N or 2 N
Power Cable	not supplied

Weight	16 kg
---------------	-------



**90CM PRIMARY MODULAR INDUCTION COOKTOP,
5 ZONES WITH SMARTZONE**

Model no:
CI905DTTB1 Black
CI905DTTG1 Grey



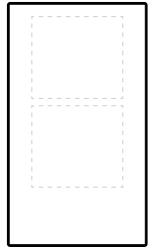
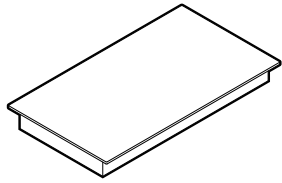
Dimensions	W x D x H
Product	900 x 530 x 62
Glass	900 x 530 x 6
Cutout, proud	862 x 507
Cutout, flush	862 x 509
Recess, flush	904 x 534 x 6.5

Power Requirements

Supply	220-240 V, 50 Hz / 60 Hz
Service	48 A
Connection	Terminal block, 1 N or 3 N
Power Cable	not supplied

Weight	20 kg
---------------	-------

The models shown in this Planning Guide may not be available in all markets and are subject to change at any time. Product specifications may vary from those shown. This Planning Guide should not be used as installation guidance for any product. Further information is required to safely and correctly install the products featured here. Specific installation guidance will be available with the product on delivery and on our website fisherpaykel.com



**30CM AUXILIARY MODULAR INDUCTION COOKTOP,
2 ZONES WITH SMARTZONE**

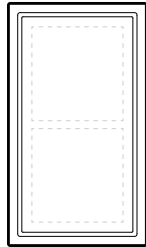
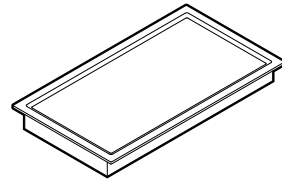
Model no:
CI302DB1 Black
CI302DG1 Grey



Dimensions	W x D x H
Product	300 x 530 x 62
Plate	300 x 530 x 6
Cutout, proud	262 x 507
Cutout, flush	262 x 509
Recess, flush	304 x 534 x 6.5

Power Requirements	
Supply	220-240 V, 50 Hz / 60 Hz
Service	16 A
Connection	Power cord, stripped ends, 1 N
Power Cable	1700 mm

Weight	7 kg
--------	------



**30CM AUXILIARY MODULAR TEPPANYAKI COOKTOP,
2 ZONES**

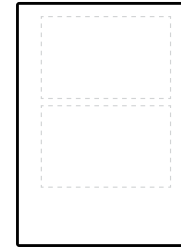
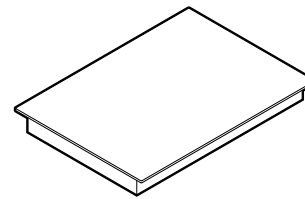
Model no:
CIT302DX1



Dimensions	W x D x H
Product	300 x 530 x 74
Plate	300 x 530 x 6
Cutout, proud	262 x 507
Cutout, flush	262 x 509
Recess, flush	304 x 534 x 6.5

Power Requirements	
Supply	220-240 V, 50 Hz / 60 Hz
Service	12 A
Connection	Power cord, stripped ends, 1 N
Power Cable	1700 mm

Weight	12 kg
--------	-------



**39CM AUXILIARY MODULAR INDUCTION COOKTOP,
2 ZONES WITH SMARTZONE**

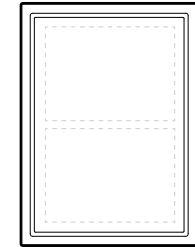
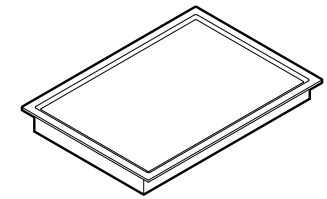
Model no:
CI392DB1 Black
CI392DG1 Grey



Dimensions	W x D x H
Product	385 x 530 x 62
Plate	385 x 530 x 6
Cutout, proud	347 x 507
Cutout, flush	347 x 509
Recess, flush	389 x 534 x 6.5

Power Requirements	
Supply	220-240 V, 50 Hz / 60 Hz
Service	16 A
Connection	Power cord, stripped ends, 1 N
Power Cable	1700 mm

Weight	8 kg
--------	------



**39CM AUXILIARY MODULAR TEPPANYAKI COOKTOP,
2 ZONES**

Model no:
CI392DX1

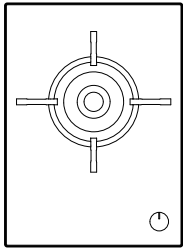
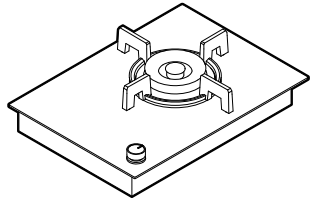


Dimensions	W x D x H
Product	385 x 530 x 74
Plate	385 x 530 x 6
Cutout, proud	347 x 507
Cutout, flush	347 x 509
Recess, flush	389 x 534 x 6.5

Power Requirements	
Supply	220-240 V, 50 Hz / 60 Hz
Service	12 A
Connection	Power cord, stripped ends, 1 N
Power Cable	1700 mm

Weight	15 kg
--------	-------

The models shown in this Planning Guide may not be available in all markets and are subject to change at any time. Product specifications may vary from those shown. This Planning Guide should not be used as installation guidance for any product. Further information is required to safely and correctly install the products featured here. Specific installation guidance will be available with the product on delivery and on our website fisherpaykel.com



39CM GAS ON GLASS MODULAR COOKTOP

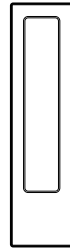
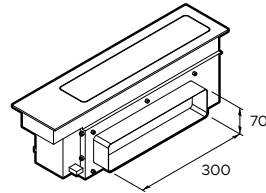
Model no:
CG391DLPG85 LPG, Black **CG391DTGGB5** Town Gas, Black
CG391DLPGG5 LPG, Grey **CG391DTGGG5** Town Gas, Grey

Dimensions	W x D x H
Product (excl. trivets)	385 x 530 x 62
Glass	385 x 530 x 6
Cutout, proud	347 x 507
Cutout, flush	347 x 509
Recess, flush	389 x 534 x 6.5

Power Requirements	
Supply	220-240 V, 50 Hz / 60 Hz
Service	10 A
Connection	Plug

Gas Requirements	
Supply	LPG 1/2" BSP minimum internal Ø8.4mm flex line
	Town Gas 1/2" BSP minimum internal Ø10mm flex line
Inlet	1/2" BSP

Weight	8 kg
---------------	------



13CM AUXILIARY MODULAR DOWNDRAFT EXTRACTOR, 300X70

Model no:
CD13DB1 Black
CD13DG1 Grey

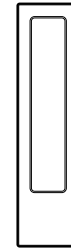
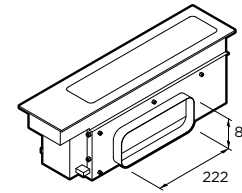
Dimensions	W x D x H
Product	130 x 530 x 186
Glass	130 x 530 x 6
Cutout, proud**	98 x 507
Cutout, flush**	98 x 509
Recess, flush**	134 x 534 x 6.5

Power Requirements	
Supply	220-240V, 50Hz
Service	5A
Connection	Power cord, plug
Power Cable	3000 mm

Weight	3kg
---------------	-----

Ducting Size	300x70
---------------------	--------

** Must be installed in combined cutout with cooktop



13CM AUXILIARY MODULAR DOWNDRAFT EXTRACTOR, 222X89

Model no:
CD13DB2 Black
CD13DG2 Grey

Dimensions	W x D x H
Product	130 x 530 x 186
Glass	130 x 530 x 6
Cutout, proud**	98 x 507
Cutout, flush**	98 x 509
Recess, flush**	134 x 534 x 6.5

Power Requirements	
Supply	220-240V, 50Hz
Service	5A
Connection	Power cord, plug
Power Cable	3000 mm

Weight	3kg
---------------	-----

Ducting Size	222x89
---------------------	--------

** Must be installed in combined cutout with cooktop

ELECTRICAL SERVICE FOR MULTIPLE PRODUCT INSTALLS

Where multiple products are being installed together, it is possible to use a smaller local distribution board, rather than running multiple separate lines. For example, 2 x 15A modules can be connected via a single 30A breaker.

These cooktops must only be connected to the mains power supply by a suitably qualified person.

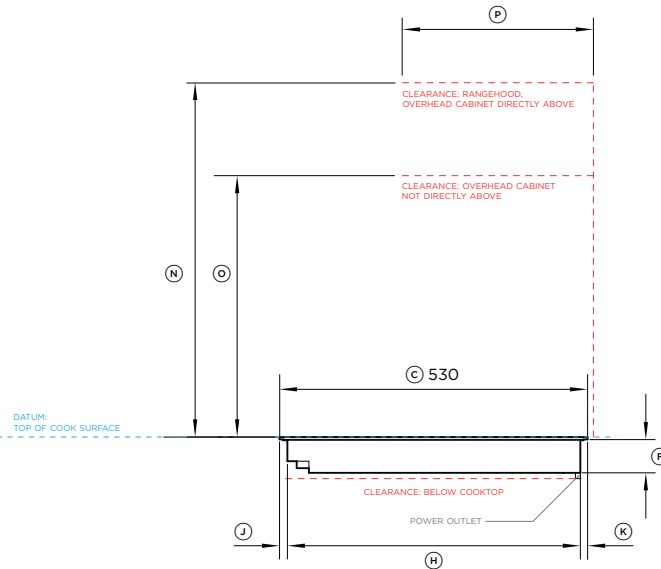
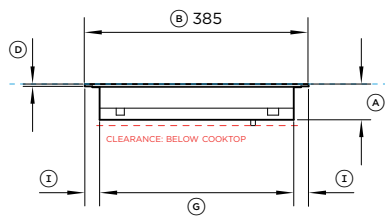
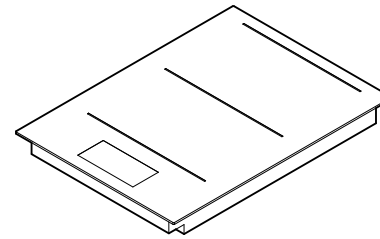
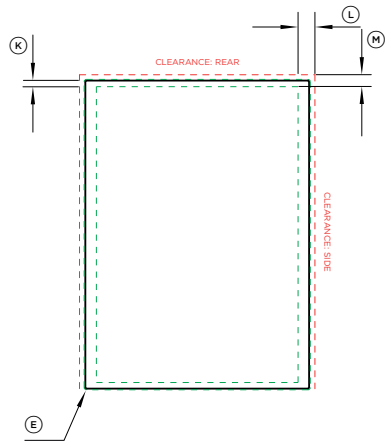
PRODUCT AVAILABILITY

Please contact the Fisher & Paykel design support team

designsupport@fisherpaykel.com
 for Auxiliary Modular Downdraft Extractor model availability.

The models shown in this Planning Guide may not be available in all markets and are subject to change at any time. Product specifications may vary from those shown. This Planning Guide should not be used as installation guidance for any product. Further information is required to safely and correctly install the products featured here. Specific installation guidance will be available with the product on delivery and on our website fisherpaykel.com

DATA SHEETS



INDICATES CABINERY / PRODUCT DATUM -----
 INDICATES CABINERY CLEARANCES -----
 INDICATES CUTOUT -----

Model no:

39cm Primary Modular Induction Cooktop, 2 Zones with SmartZone, Black - CI392DTTB1,
 39cm Primary Modular Induction Cooktop, 2 Zones with SmartZone, Grey - CI392DTTG1

Product Dimensions

	mm
Ⓐ Overall height of cooktop	62
Ⓔ Overall width of cooktop	385
Ⓒ Overall depth of cooktop	530
Ⓓ Height of cooktop glass (includes flange and tape)	6
Ⓔ Corner radius of glass	2
Ⓕ Height of chassis	56
Ⓖ Width of chassis	334
Ⓗ Depth of chassis	504
Ⓛ Width from side edges of cooktop to chassis	25.5
Ⓜ Depth from front edge of cooktop to chassis	13.5
Ⓝ Depth from back edge of cooktop to chassis	12.5

Product Clearances

	mm
Ⓛ Minimum clearance from side edges of cutout to nearest combustible surface	29
Ⓜ Minimum clearance from rear edge of cutout to nearest combustible surface	21
Ⓝ Minimum clearance from cook surface to rangehood or overhead cabinet	610
Ⓞ Minimum clearance from cook surface to overhead cabinet not directly above cooktop	450
Ⓟ Maximum depth of overhead cabinetry	330
Minimum ventilation gap between bottom of benchtop and top of cabinetry fronts (not shown)	4
Minimum clearance from cook surface to top of any appliances, companion product or obstruction below cooktop	72

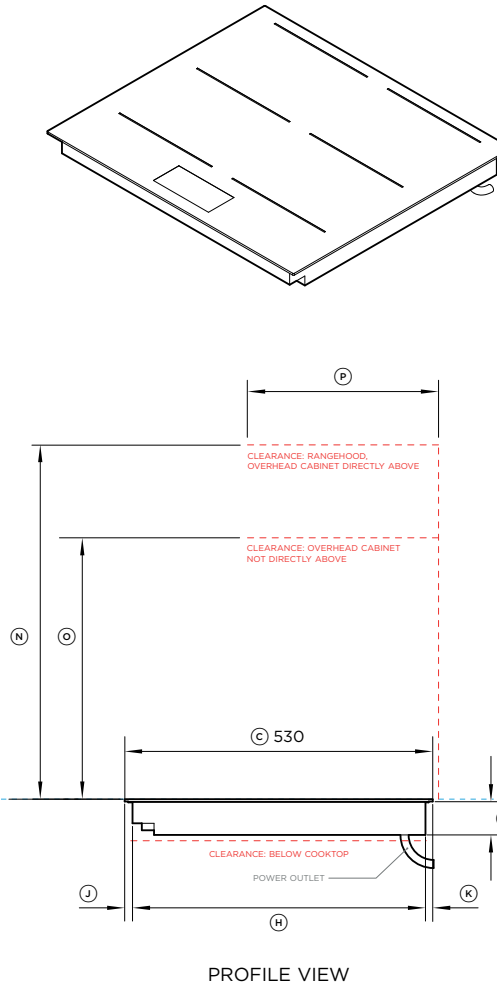
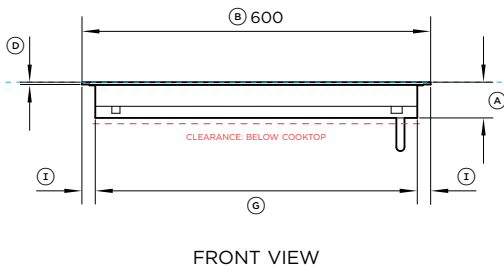
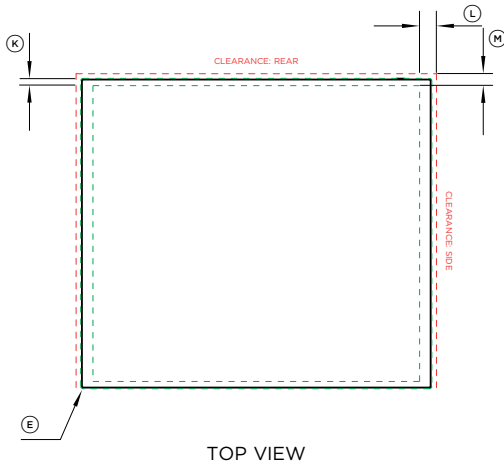
NOTE: The oven installed below the cooktop MUST have a cooling fan. It is important that the induction cooktop receives adequate air supply. For ventilation requirements please refer to the installation manual.

Cutout Dimensions*

	Proud mm	Flush mm
Overall width of cutout	347	347
Overall depth of cutout	507	509
Overall width of recess	-	389
Overall depth of recess	-	534
Overall height of recess	-	6.5
Recess corner radius	-	4

*Note cutout position is centred to the cooktop.

IMPORTANT NOTE: Throughout this guide, dimensions may vary by ±2mm (1/16"). Please read the installation manual for detailed information on installing the product. For full installation instructions & specifications visit fisherpaykel.com



INDICATES CABINERY / PRODUCT DATUM ————
 INDICATES CABINERY CLEARANCES - - - - -
 INDICATES CUTOUT - - - - -



Model no:

60cm Primary Modular Induction Cooktop, 4 Zones with SmartZone, Black - CI604DTTB1,
 60cm Primary Modular Induction Cooktop, 4 Zones with SmartZone, Grey - CI604DTTG1

Product Dimensions	mm
Ⓐ Overall height of cooktop	62
Ⓔ Overall width of cooktop	600
Ⓒ Overall depth of cooktop	530
Ⓓ Height of cooktop glass (includes flange and tape)	6
Ⓔ Corner radius of glass	2
Ⓕ Height of chassis	56
Ⓖ Width of chassis	554
Ⓗ Depth of chassis	504
Ⓛ Width from side edges of cooktop to chassis	23
Ⓜ Depth from front edge of cooktop to chassis	13.5
Ⓝ Depth from back edge of cooktop to chassis	12.5

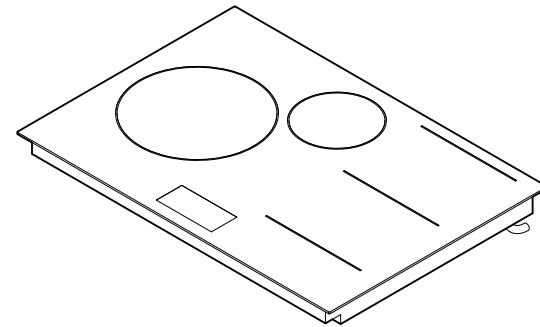
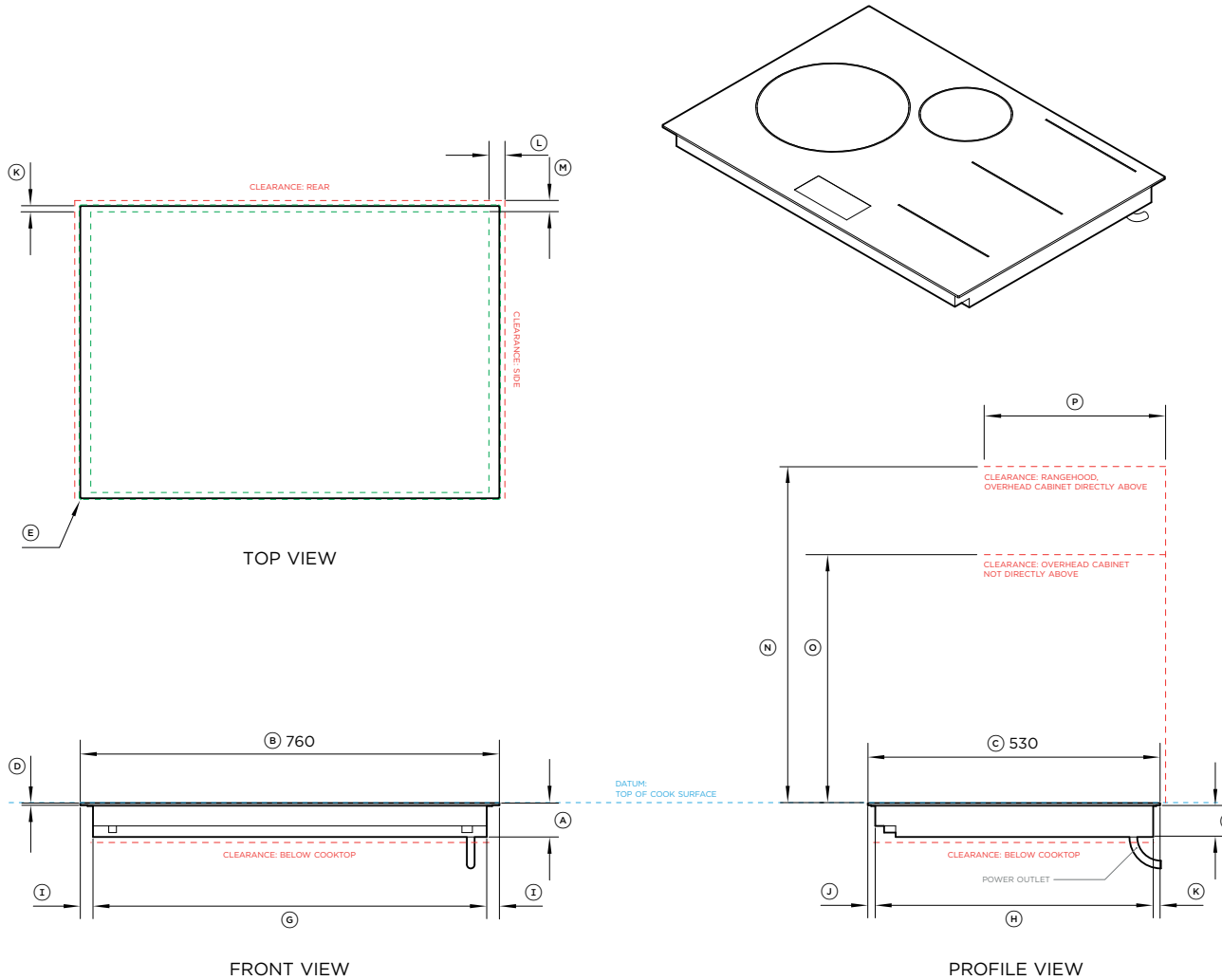
Product Clearances	mm
Ⓛ Minimum clearance from side edges of cutout to nearest combustible surface	29
Ⓜ Minimum clearance from rear edge of cutout to nearest combustible surface	21
Ⓓ Minimum clearance from cook surface to rangehood or overhead cabinet	610
Ⓝ Minimum clearance from cook surface to overhead cabinet not directly above cooktop	450
Ⓒ Maximum depth of overhead cabinetry	330
Minimum ventilation gap between bottom of benchtop and top of cabinetry fronts (not shown)	4
Minimum clearance from cook surface to top of any appliances, companion product or obstruction below cooktop	72

NOTE: The oven installed below the cooktop MUST have a cooling fan. It is important that the induction cooktop receives adequate air supply. For ventilation requirements please refer to the installation manual.

Cutout Dimensions*	Proud mm	Flush mm
Overall width of cutout	562	562
Overall depth of cutout	507	509
Overall width of recess	-	604
Overall depth of recess	-	534
Overall height of recess	-	6.5
Recess corner radius	-	4

*Note cutout position is centred to the cooktop.

IMPORTANT NOTE: Throughout this guide, dimensions may vary by ±2mm (1/16"). Please read the installation manual for detailed information on installing the product. For full installation instructions & specifications visit fisherpaykel.com



Model no:

76cm Primary Modular Induction Cooktop, 4 Zones with SmartZone, Black - CI764DTTB1,
76cm Primary Modular Induction Cooktop, 4 Zones with SmartZone, Grey - CI764DTTG1

Product Dimensions

	mm
Ⓐ Overall height of cooktop	62
Ⓔ Overall width of cooktop	760
Ⓒ Overall depth of cooktop	530
Ⓓ Height of cooktop glass (includes flange and tape)	6
Ⓔ Corner radius of glass	2
Ⓕ Height of chassis	56
Ⓖ Width of chassis	714
Ⓗ Depth of chassis	504
Ⓜ Width from side edges of cooktop to chassis	23
Ⓝ Depth from front edge of cooktop to chassis	13.5
Ⓚ Depth from back edge of cooktop to chassis	12.5

Product Clearances

	mm
Ⓛ Minimum clearance from side edges of cutout to nearest combustible surface	29
Ⓜ Minimum clearance from rear edge of cutout to nearest combustible surface	21
Ⓝ Minimum clearance from cook surface to rangehood or overhead cabinet	610
Ⓞ Minimum clearance from cook surface to overhead cabinet not directly above cooktop	450
Ⓟ Maximum depth of overhead cabinetry	330
Minimum ventilation gap between bottom of benchtop and top of cabinetry fronts (not shown)	4
Minimum clearance from cook surface to top of any appliances, companion product or obstruction below cooktop	72

NOTE: The oven installed below the cooktop MUST have a cooling fan. It is important that the induction cooktop receives adequate air supply. For ventilation requirements please refer to the installation manual.

Cutout Dimensions*

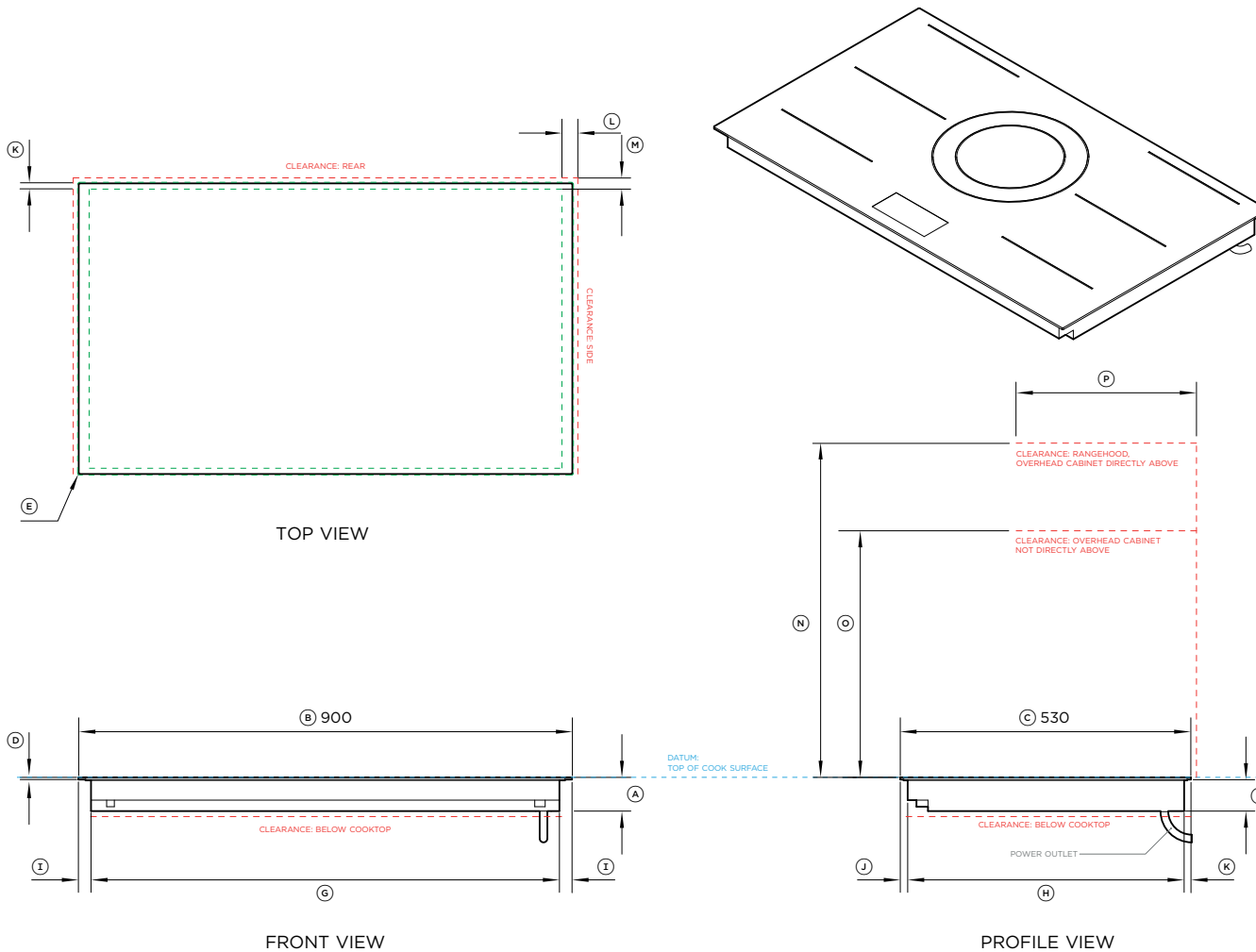
	Proud mm	Flush mm
Overall width of cutout	722	722
Overall depth of cutout	507	509
Overall width of recess	-	764
Overall depth of recess	-	534
Overall height of recess	-	6.5
Recess corner radius	-	4

*Note cutout position is centred to the cooktop.

IMPORTANT NOTE: Throughout this guide, dimensions may vary by ±2mm (1/16"). Please read the installation manual for detailed information on installing the product. For full installation instructions & specifications visit fisherpaykel.com



INDICATES CABINETRY / PRODUCT DATUM - - - - -
INDICATES CABINETRY CLEARANCES - - - - -
INDICATES CUTOUT - - - - -



Model no:

90cm Primary Modular Induction Cooktop, 5 Zones with SmartZone, Black - CI905DTTB1
 90cm Primary Modular Induction Cooktop, 5 Zones with SmartZone, Grey - CI905DTTG1

Product Dimensions	mm
Ⓐ Overall height of cooktop	62
Ⓔ Overall width of cooktop	900
Ⓒ Overall depth of cooktop	530
Ⓓ Height of cooktop glass (includes flange and tape)	6
Ⓔ Corner radius of glass	2
Ⓕ Height of chassis	56
Ⓖ Width of chassis	854
Ⓗ Depth of chassis	504
Ⓛ Width from side edges of cooktop to chassis	23
Ⓜ Depth from front edge of cooktop to chassis	13.5
Ⓝ Depth from back edge of cooktop to chassis	12.5

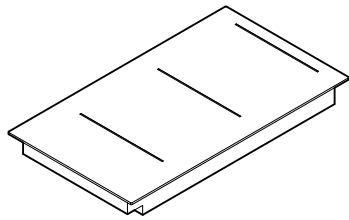
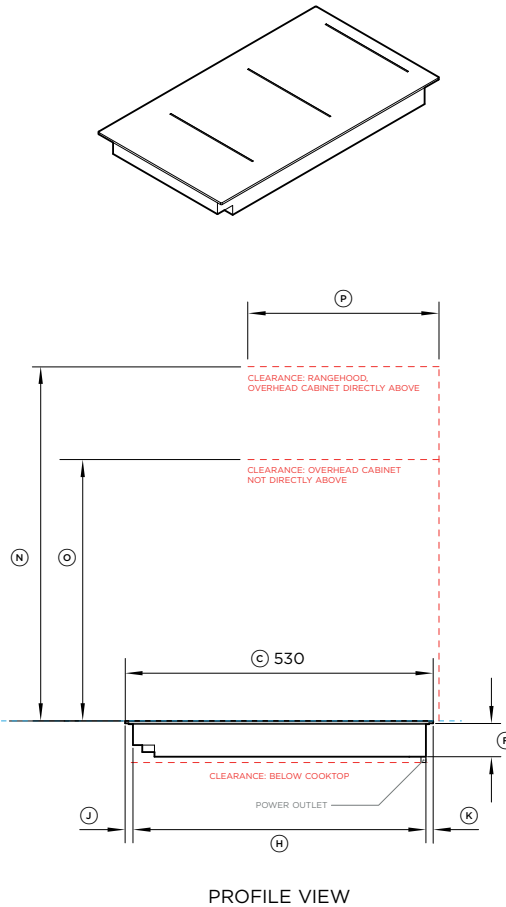
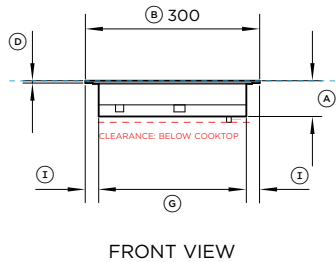
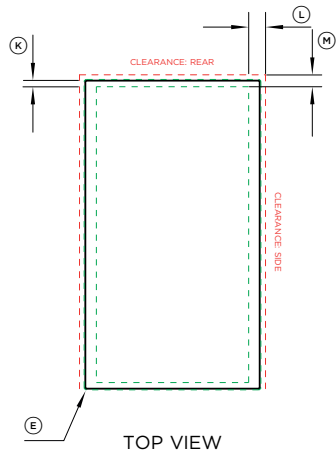
Product Clearances	mm
Ⓛ Minimum clearance from side edges of cutout to nearest combustible surface	29
Ⓜ Minimum clearance from rear edge of cutout to nearest combustible surface	21
Ⓓ Minimum clearance from cook surface to rangehood or overhead cabinet	610
Ⓝ Minimum clearance from cook surface to overhead cabinet not directly above cooktop	450
Ⓟ Maximum depth of overhead cabinetry	330
Minimum ventilation gap between bottom of benchtop and top of cabinetry fronts (not shown)	4
Minimum clearance from cook surface to top of any appliances, companion product or obstruction below cooktop	72

NOTE: The oven installed below the cooktop MUST have a cooling fan. It is important that the induction cooktop receives adequate air supply. For ventilation requirements please refer to the installation manual.

Cutout Dimensions*	Proud mm	Flush mm
Overall width of cutout	862	862
Overall depth of cutout	507	509
Overall width of recess	-	904
Overall depth of recess	-	534
Overall height of recess	-	6.5
Recess corner radius	-	4

*Note cutout position is centred to the cooktop.

IMPORTANT NOTE: Throughout this guide, dimensions may vary by ±2mm (1/16"). Please read the installation manual for detailed information on installing the product. For full installation instructions & specifications visit fisherpaykel.com



INDICATES CABINETRY / PRODUCT DATUM -----
 INDICATES CABINETRY CLEARANCES -----
 INDICATES CUTOUT -----

Model no:

30cm Auxiliary Modular Induction Cooktop, 2 Zones with SmartZone, Black - CI302DB1
 30cm Auxiliary Modular Induction Cooktop, 2 Zones with SmartZone, Grey - CI302DG1

Product Dimensions	mm
Ⓐ Overall height of cooktop	62
Ⓔ Overall width of cooktop	300
Ⓒ Overall depth of cooktop	530
Ⓓ Height of cooktop glass (includes flange and tape)	6
Ⓔ Corner radius of glass	2
Ⓕ Height of chassis	56
Ⓖ Width of chassis	254
Ⓗ Depth of chassis	504
Ⓜ Width from side edges of cooktop to chassis	23
Ⓝ Depth from front edge of cooktop to chassis	13.5
Ⓞ Depth from back edge of cooktop to chassis	12.5

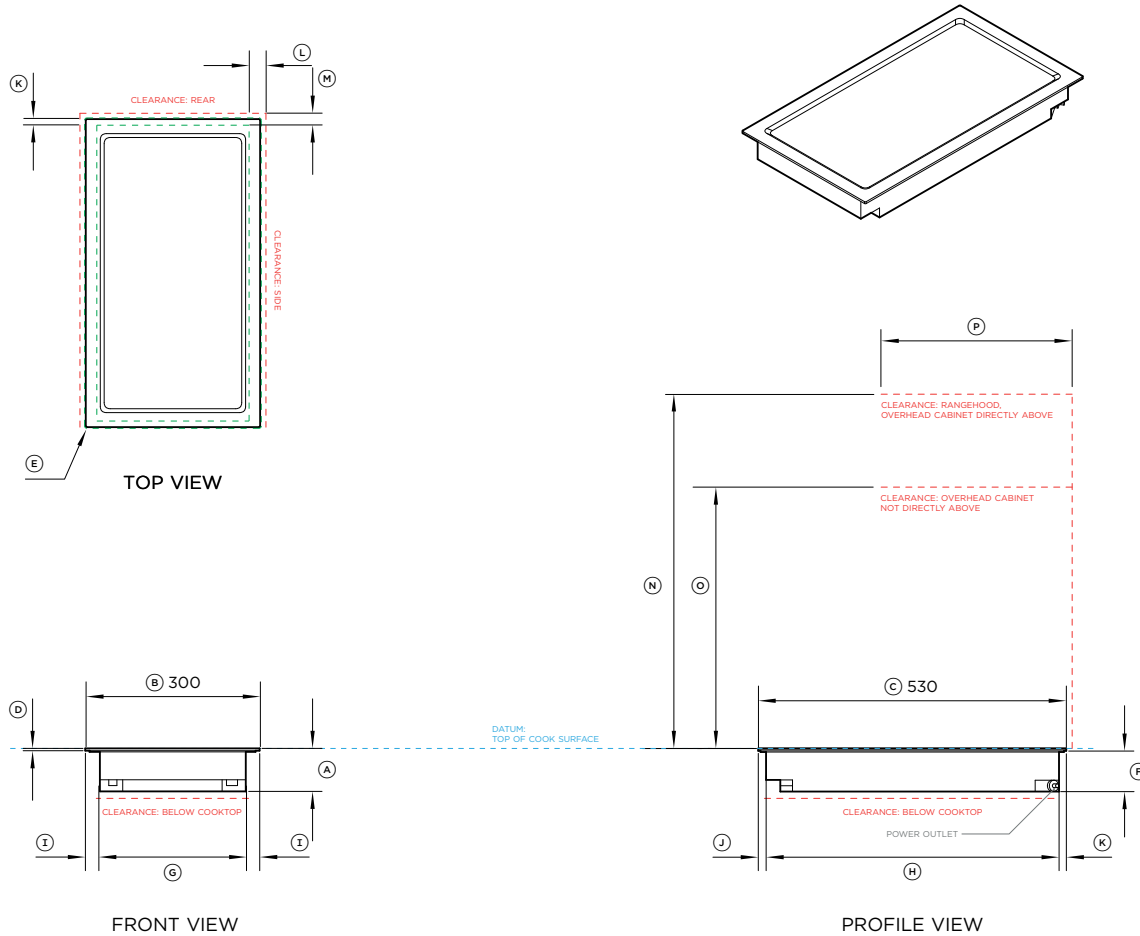
Product Clearances	mm
Ⓛ Minimum clearance from side edges of cutout to nearest combustible surface	29
Ⓜ Minimum clearance from rear edge of cutout to nearest combustible surface	21
Ⓝ Minimum clearance from cook surface to rangehood or overhead cabinet	610
Ⓞ Minimum clearance from cook surface to overhead cabinet not directly above cooktop	450
Ⓟ Maximum depth of overhead cabinetry	330
Minimum ventilation gap between bottom of benchtop and top of cabinetry fronts (not shown)	4
Minimum clearance from cook surface to top of any appliances, companion product or obstruction below cooktop	72

NOTE: The oven installed below the cooktop MUST have a cooling fan. It is important that the induction cooktop receives adequate air supply. For ventilation requirements please refer to the installation manual.

Cutout Dimensions*	Proud mm	Flush mm
Overall width of cutout	262	262
Overall depth of cutout	507	509
Overall width of recess	-	304
Overall depth of recess	-	534
Overall height of recess	-	6.5
Recess corner radius	-	4

*Note cutout position is centred to the cooktop.

IMPORTANT NOTE: Throughout this guide, dimensions may vary by ±2mm (1/16"). Please read the installation manual for detailed information on installing the product. For full installation instructions & specifications visit fisherpaykel.com



INDICATES CABINETY / PRODUCT DATUM
 INDICATES CABINETY CLEARANCES
 INDICATES CUTOUT



Model no:

30cm Auxiliary Modular Teppanyaki Cooktop, 2 Zones - CIT302DX1

Product Dimensions

	mm
(A) Overall height of cooktop	74
(B) Overall width of cooktop	300
(C) Overall depth of cooktop	530
(D) Height of stainless steel cook plate (includes flange and tape)	6
(E) Corner radius of cooktop surface	2
(F) Height of chassis	68
(G) Width of chassis	251
(H) Depth of chassis	504
(I) Width from side edges of cooktop to chassis	24.5
(J) Depth from front edge of cooktop to chassis	13.5
(K) Depth from back edge of cooktop to chassis	12.5

Product Clearances

	mm
(L) Minimum clearance from side edges of cutout to nearest combustible surface	29
(M) Minimum clearance from rear edge of cutout to nearest combustible surface	21
(N) Minimum clearance from cook surface to rangehood or overhead cabinet	610
(O) Minimum clearance from cook surface to overhead cabinet not directly above cooktop	450
(P) Maximum depth of overhead cabinetry	330

Minimum ventilation gap between bottom of benchtop and top of cabinetry fronts (not shown) 4

Minimum clearance from cook surface to top of any appliances, companion product or obstruction below cooktop 86

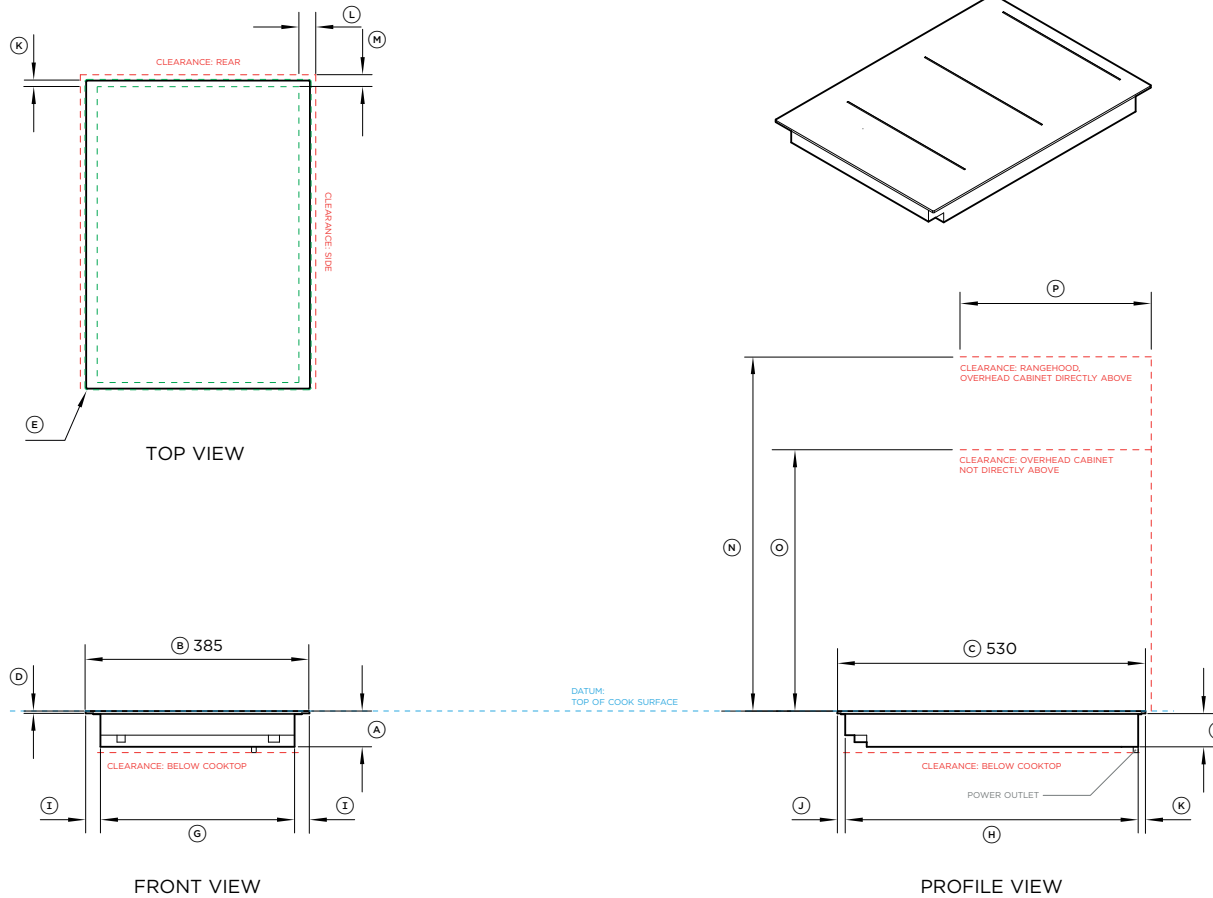
NOTE: The oven installed below the cooktop MUST have a cooling fan. It is important that the induction cooktop receives adequate air supply. For ventilation requirements please refer to the installation manual.

Cutout Dimensions*

	Proud mm	Flush mm
Overall width of cutout	262	262
Overall depth of cutout	507	509
Overall width of recess	-	304
Overall depth of recess	-	534
Overall height of recess	-	6.5
Recess corner radius	-	4

*Note cutout position is centred to the cooktop.

IMPORTANT NOTE: Throughout this guide, dimensions may vary by ±2mm (1/16"). Please read the installation manual for detailed information on installing the product. For full installation instructions & specifications visit fisherpaykel.com



INDICATES CABINERY / PRODUCT DATUM ————
 INDICATES CABINERY CLEARANCES - - - - -
 INDICATES CUTOUT - - - - -



Model no:
 39cm Auxiliary Modular Induction Cooktop, 2 Zones with SmartZone, Black - CI392DB1
 39cm Auxiliary Modular Induction Cooktop, 2 Zones with SmartZone, Grey - CI392DG1

Product Dimensions	mm
(A) Overall height of cooktop	62
(B) Overall width of cooktop	385
(C) Overall depth of cooktop	530
(D) Height of cooktop glass (includes flange and tape)	6
(E) Corner radius of glass	2
(F) Height of chassis	56
(G) Width of chassis	334
(H) Depth of chassis	504
(I) Width from side edges of cooktop to chassis	25.5
(J) Depth from front edge of cooktop to chassis	13.5
(K) Depth from back edge of cooktop to chassis	12.5

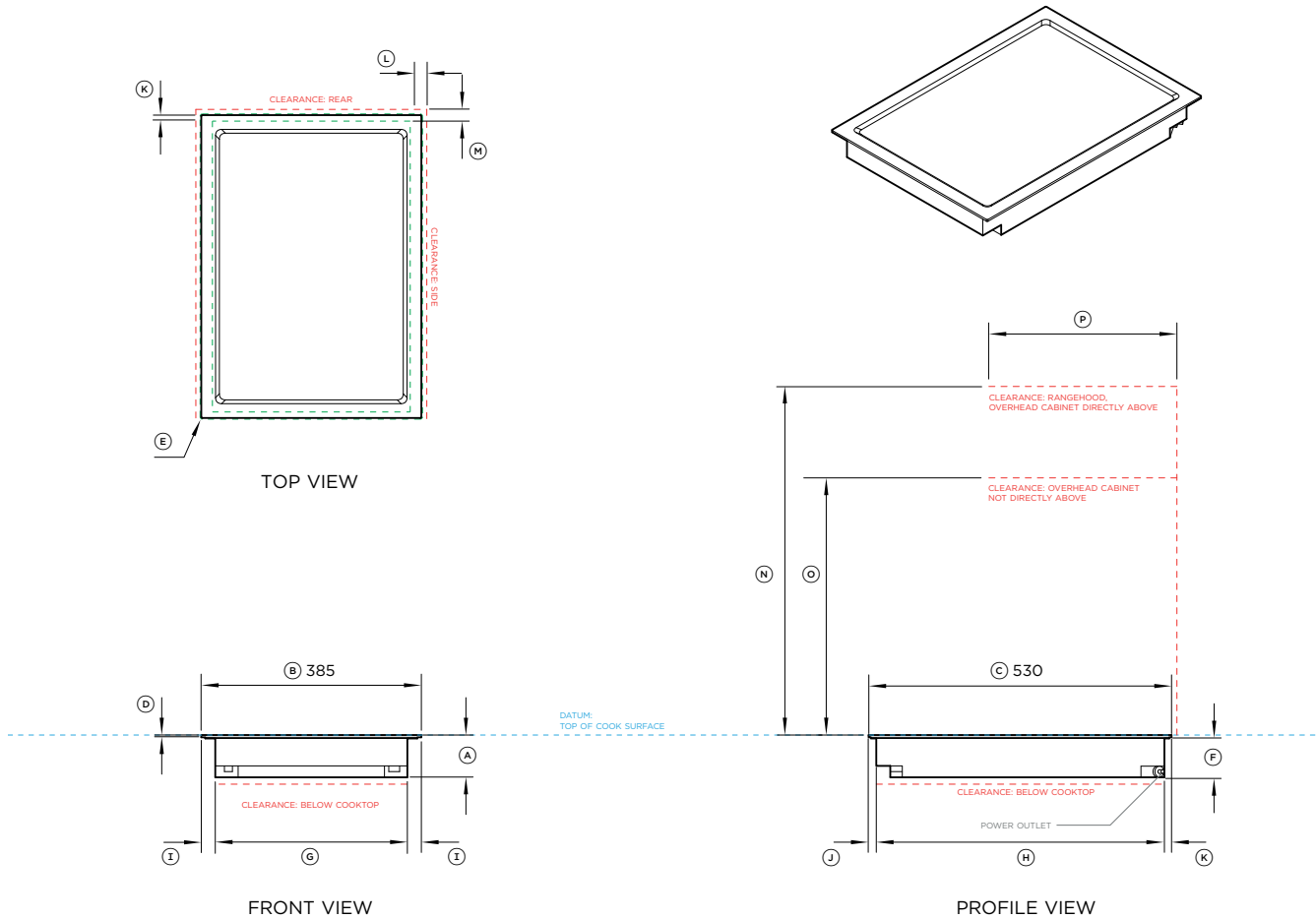
Product Clearances	mm
(L) Minimum clearance from side edges of cutout to nearest combustible surface	29
(M) Minimum clearance from rear edge of cutout to nearest combustible surface	21
(N) Minimum clearance from cook surface to rangehood or overhead cabinet	610
(O) Minimum clearance from cook surface to overhead cabinet not directly above cooktop	450
(P) Maximum depth of overhead cabinetry	330
Minimum ventilation gap between bottom of benchtop and top of cabinetry fronts (not shown)	4
Minimum clearance from cook surface to top of any appliances, companion product or obstruction below cooktop	72

NOTE: The oven installed below the cooktop MUST have a cooling fan. It is important that the induction cooktop receives adequate air supply. For ventilation requirements please refer to the installation manual.

Cutout Dimensions*	Proud mm	Flush mm
Overall width of cutout	347	347
Overall depth of cutout	507	509
Overall width of recess	-	389
Overall depth of recess	-	534
Overall height of recess	-	6.5
Recess corner radius	-	4

*Note cutout position is centred to the cooktop.

IMPORTANT NOTE: Throughout this guide, dimensions may vary by ±2mm (1/16"). Please read the installation manual for detailed information on installing the product. For full installation instructions & specifications visit fisherpaykel.com



INDICATES CABINETY / PRODUCT DATUM -----
 INDICATES CABINETY CLEARANCES - - - - -
 INDICATES CUTOUT - - - - -

Model no:

39cm Auxiliary Modular Teppanyaki Cooktop, 2 Zones - CIT392DX1

Product Dimensions		mm
(A)	Overall height of cooktop	74
(B)	Overall width of cooktop	385
(C)	Overall depth of cooktop	530
(D)	Height of stainless steel cook plate (includes flange and tape)	6
(E)	Radius of the corner	2
(F)	Height of chassis	68
(G)	Width of chassis	336
(H)	Depth of chassis	504
(I)	Width from side edges of cooktop to chassis	24.5
(J)	Depth from front edge of cooktop to chassis	13.5
(K)	Depth from back edge of cooktop to chassis	12.5

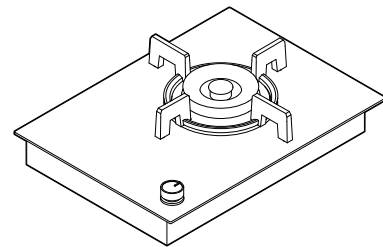
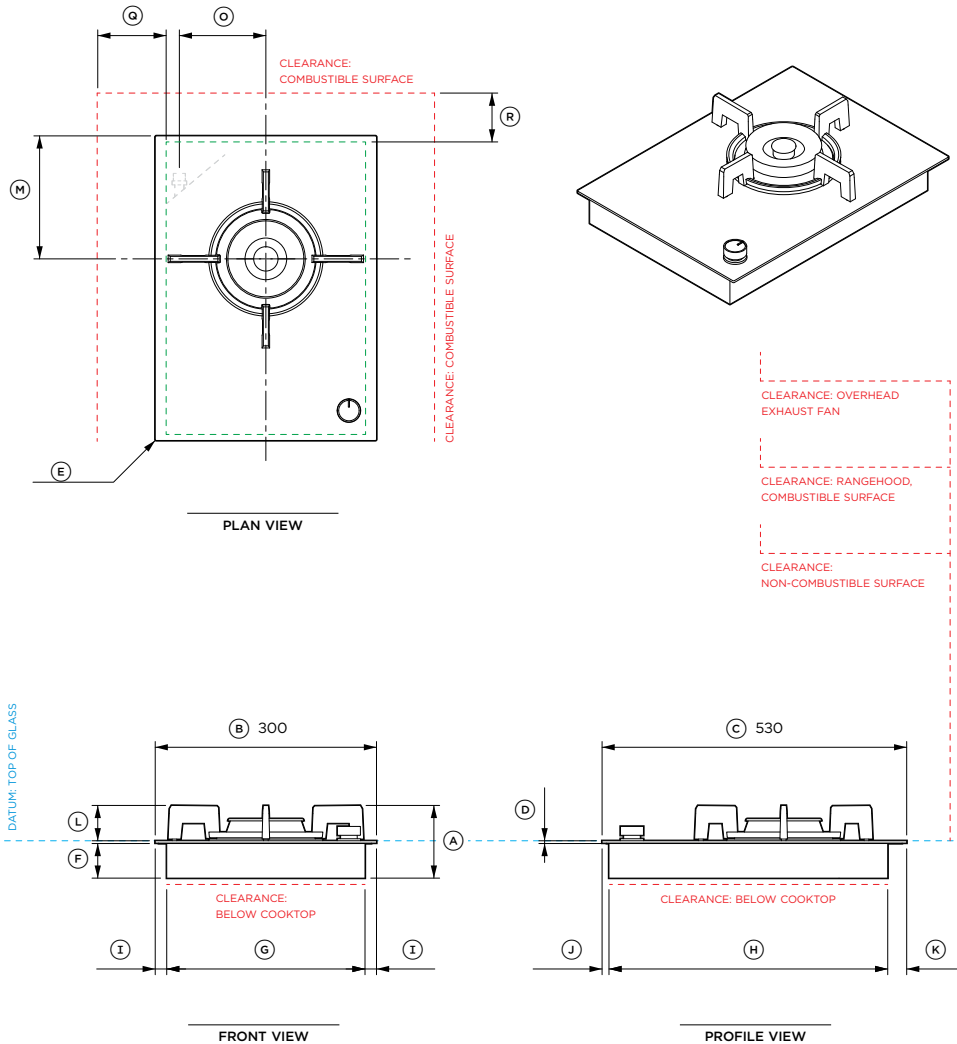
Product Clearances		mm
(L)	Minimum clearance from side edges of cutout to nearest combustible surface	29
(M)	Minimum clearance from rear edge of cutout to nearest combustible surface	21
(N)	Minimum clearance from cook surface to rangehood or overhead cabinet	610
(O)	Minimum clearance from cook surface to overhead cabinet not directly above cooktop	450
(P)	Maximum depth of overhead cabinetry	330
Minimum ventilation gap between bottom of benchtop and top of cabinetry fronts (not shown)		4
Minimum clearance from cook surface to top of any appliances, companion product or obstruction below cooktop		86

NOTE: The oven installed below the cooktop MUST have a cooling fan. It is important that the teppanyaki cooktop receives adequate air supply. For ventilation requirements please refer to page

Cutout Dimensions*	Proud mm	Flush mm
Overall width of cutout	347	347
Overall depth of cutout	507	509
Overall width of recess	-	389
Overall depth of recess	-	534
Overall height of recess	-	6.5
Recess corner radius	-	4

*Note cutout position is centred to the cooktop.

IMPORTANT NOTE: Throughout this guide, dimensions may vary by ±2mm (1/16"). Please read the installation manual for detailed information on installing the product. For full installation instructions & specifications visit fisherpaykel.com



Model no:

- 39cm Gas on Glass Modular Cooktop, LPG, Black - CG391DLPGB5
- 39cm Gas on Glass Modular Cooktop, Town Gas, Black - CG391DTGGB5
- 39cm Gas on Glass Modular Cooktop, LPG, Grey - CG391DLPGG5
- 39cm Gas on Glass Modular Cooktop, Town Gas, Grey - CG391DTGGG5

Product Dimensions

	mm
Ⓐ Overall height of cooktop (including trivet)	127
Ⓑ Overall width of cooktop	385
Ⓒ Overall depth of cooktop	530
Ⓓ Height of cooktop glass (includes flange and tape)	6
Ⓔ Corner radius of glass	2
Ⓕ Height of chassis	61
Ⓖ Width of chassis	345
Ⓜ Depth of chassis	484
Ⓜ Width from side edges of cooktop to chassis	20
Ⓝ Depth from front edge of cooktop to chassis	12
Ⓚ Depth from back edge of cooktop to chassis	34
Ⓛ Height of trivet	62
Ⓜ Distance from centre of burner to rear of cooktop	214
Ⓝ Height from centre of gas inlet to top of glass	32
Ⓞ Width from centre of cooktop to gas inlet	151
Ⓟ Distance from rear of cooktop to gas inlet	65

Product Clearances

	mm
Ⓟ Minimum clearance from side edges of cutout to nearest combustible surface	120
Ⓡ Minimum clearance from rear edge of cutout to nearest combustible surface	85
Minimum clearance from glass surface to non-combustible surface	500
Minimum clearance from glass surface to rangehood or downward facing combustible surface	650
Minimum clearance from glass surface to any other overhead exhaust fan	800
Minimum clearance from top of glass surface to overhead cabinet not directly above cooktop (not shown)	450
Maximum depth of overhead cabinets not directly above cooktop	330
Minimum clearance from top of glass surface to top of any appliance, companion product or obstruction below cooktop	76

Cutout Dimensions*

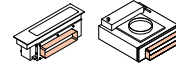
	Proud mm	Flush mm
Overall width of cutout	347	347
Overall depth of cutout	507	509
Overall width of recess	-	389
Overall depth of recess	-	534
Overall height of recess	-	6.5
Recess corner radius	-	4

*Note cutout position is centred to the cooktop

IMPORTANT NOTE: Throughout this guide, dimensions may vary by ±2mm (1/16"). Please read the installation manual for detailed information on installing the product. For full installation instructions & specifications visit fisherpaykel.com

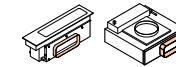
The Modular Auxiliary Downdraft models shown in this Planning Guide may not be available and are subject to change at any time. For product availability, design planning and installation support please contact the Fisher & Paykel design support team. designsupport@fisherpaykel.com

Ducting Component	Optional Accessory Part No.
Horizontal Elbow 90°, 300x70	E90H30X7
Vertical Elbow 90°, 300x70	E90V30X7
Straight Adaptor, 300x70 Rectangular to 150 Round	DA30X7D15
Adaptor 90°, 300x70 Rectangular to 150 Round	DA90D30X7D15
Connector, 300x70	C30X7
Duct 1m, 300x70	D100X30X7
Duct 90° Bend Horizontal, 222x89	E90H222X89
Duct 90° Bend Vertical, 222x89	E90V222X89
Duct Adaptor Straight, 222x89 to 150 Round	DA222X89D150
Duct Adaptor 90°, 222x89 to 150 Round	DA90D222X89D150
Duct Joiner Flexi, 222x89	C222X89
Duct Straight Length 1m, 222x89	D1000X222X89
Horizontal Elbow 90°, 300x70, Steel	E90H30X7S
Mainbox Outlet Adaptor, 222x89	OAD222X89
Blower Outlet Adaptor, 300x70	OAB300X70
Blower Outlet Adaptor, 222x89	OAB222X89
Recirculation Kit	KRCID834
Outlet Grille, 222x89mm	DO-G-SS
Duct 90° Vertical, Round 150	E90V150
Duct Joiner Flexi, Round 150	C150
Duct Straight Length 1m, Round 150	D1000X150



CD13DB1 CD13DG1
13CM MODULAR AUXILIARY DOWNDRAFT, 300 x 70 DUCTING

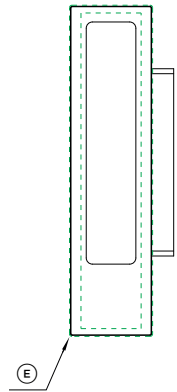
Supplied	Optional accessory
x1	Yes.
x2	Yes.
x1	Yes.
x1	Yes.
x1	Yes.
x1	Yes.
-	Yes. Adapter required.
-	Yes. Adapter required.
-	Yes. Adapter required.
-	Yes. Adapter required.
-	Yes. Adapter required.
-	Yes. Adapter required.
-	Yes. Adapter required.
-	Yes. For use over pyrolytic oven.
-	Yes. Required for 222x89 ducting.
Supplied on blowerbox.	-
-	Yes. Required for Recirculation Kit and/or 222x89 ducting.
-	Yes. Blowerbox Outlet Adaptor 222x89 is required.
-	Yes. Adapter required.
-	Yes.
-	Yes.
-	Yes.



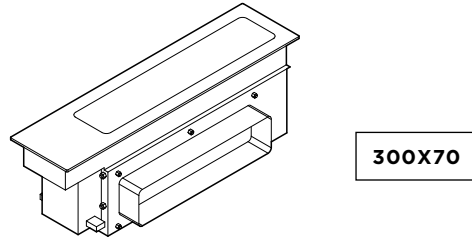
CD13DB2 CD13DG2
13CM MODULAR AUXILIARY DOWNDRAFT, 222 x 89 DUCTING

Supplied	Optional accessory
-	Yes. Adapter required.
-	Yes. Adapter required.
-	Yes. Adapter required.
-	Yes. Adapter required.
-	Yes. Adapter required.
x1	Yes.
x2	Yes.
x1	Yes.
x1	Yes.
x5	Yes.
x1	Yes.
-	Not required for 222x89 ducting.
Supplied on mainbox.	-
-	Yes. Required for 300 x 70 ducting.
Supplied on blowerbox.	-
-	Yes.
-	Yes.
-	Yes.
-	Yes.
-	Yes.

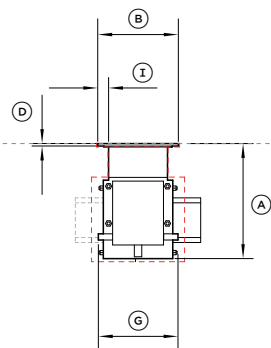
MAINBOX



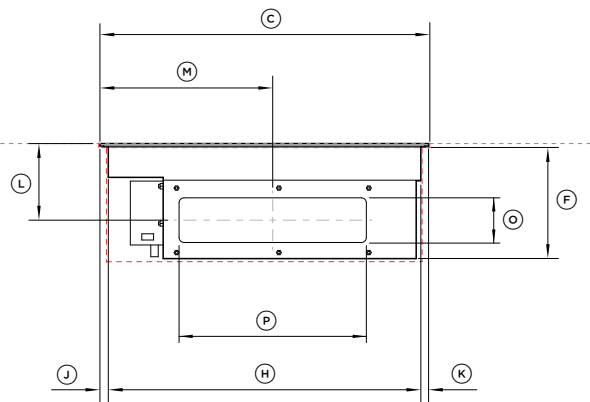
PLAN VIEW



300X70



FRONT VIEW



PROFILE VIEW



Model no:

13cm Modular Auxiliary Downdraft Extraction, Black - **CD13DB1**
 13cm Modular Auxiliary Downdraft Extraction, Grey - **CD13DG1**

Product Dimensions

	mm
(A) Overall height of mainbox	186
(B) Overall width of mainbox	130
(C) Overall depth of mainbox	530
(D) Height of glass (includes flange and tape)	6
(E) Corner radius of glass	2
(F) Height of chassis	180
(G) Width of lower chassis (includes communication ports)	126
(H) Depth of chassis	504
(I) Width from sides of glass to neck of chassis	18
(J) Depth from front edge of glass to chassis	14
(K) Depth from back edge of glass to chassis	13
(L) Height from top of glass to centre of outlet	124
(M) Depth from front edge of glass to centre of outlet	279
(N) Width from edge of glass to outside of outlet	36
(O) Height of ducting	70
(P) Width of ducting	300

Product Clearances

	mm
Minimum clearance from top surface to top of any appliances, companion product or obstruction below mainbox	200

Cutout Dimensions*

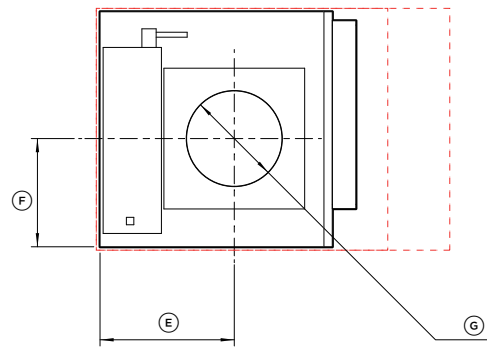
	Proud mm	Flush mm
Overall width of cutout	98	98
Overall depth of cutout	507	509
Overall width of recess	-	134
Overall depth of recess	-	534
Overall height of recess	-	6.5
Recess corner radius	-	4

* Note cutout position is centred to the cooktop.

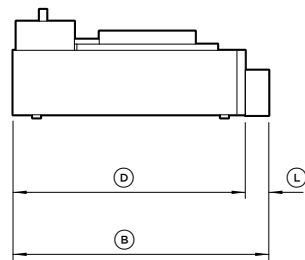
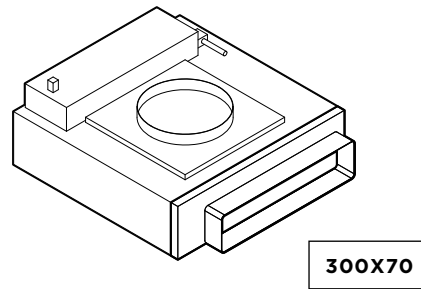
INDICATES CABINETRY / PRODUCT DATUM -----
 INDICATES CABINETRY CLEARANCES -----
 INDICATES CUTOUT -----

IMPORTANT NOTE: Throughout this guide, dimensions may vary by ±2mm (1/16"). Please read the installation manual for detailed information on installing the product. For full installation instructions & specifications visit fisherpaykel.com

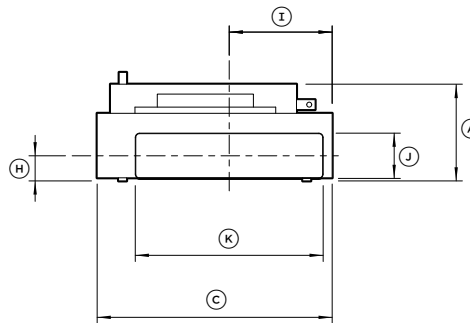
BLOWERBOX



PLAN VIEW



FRONT VIEW



PROFILE VIEW



Model no:

13cm Modular Auxiliary Downdraft Extraction, Black - **CD13DB1**
 13cm Modular Auxiliary Downdraft Extraction, Grey - **CD13DG1**

Product Dimensions

	mm
(A) Overall height of blowerbox	156
(B) Overall width of blowerbox (including outlet)	413
(C) Overall depth of blowerbox	379
(D) Width of blowerbox	375
(E) Width from corner to centre of inlet	217
(F) Depth from corner to centre of inlet	175
(G) Internal diameter of inlet	154
(H) Height from base of product to centre of outlet	41
(I) Width from outside of chassis to centre of outlet	166
(J) Height of outlet	70
(K) Width of outlet	300
(L) Depth of outlet	38

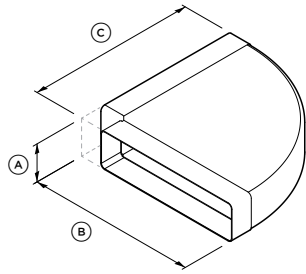
Cutout Dimensions*

	mm
Recommended width of cutout **	570
Minimum width of cutout ***	470
Depth of cutout	390

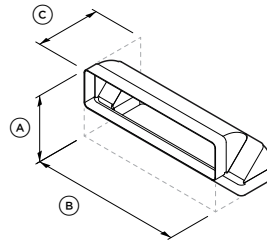
* Blowerbox can be rotated to achieve desired outlet direction, cutout dimensions must be rotated accordingly.
 ** Recommended width allows greater access to outlet during installation.
 *** Clearance only for blowerbox, does not provide allowances for connecting to ducting.

INDICATES CABINETRY / PRODUCT DATUM -----
 INDICATES CABINETRY CLEARANCES - - - - -
 INDICATES CUTOUT - - - - -

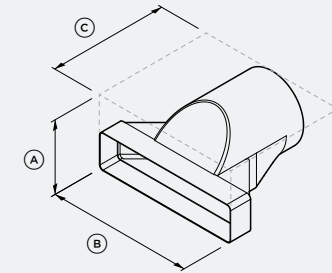
IMPORTANT NOTE: Throughout this guide, dimensions may vary by ±2mm (1/16"). Please read the installation manual for detailed information on installing the product. For full installation instructions & specifications visit fisherpaykel.com



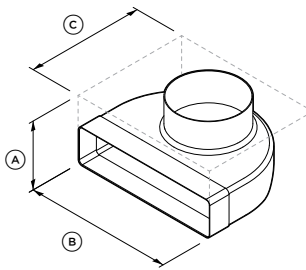
① Horizontal Elbow 90°, 300x70



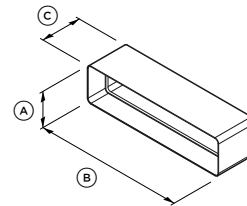
② Vertical Elbow 90°, 300x70



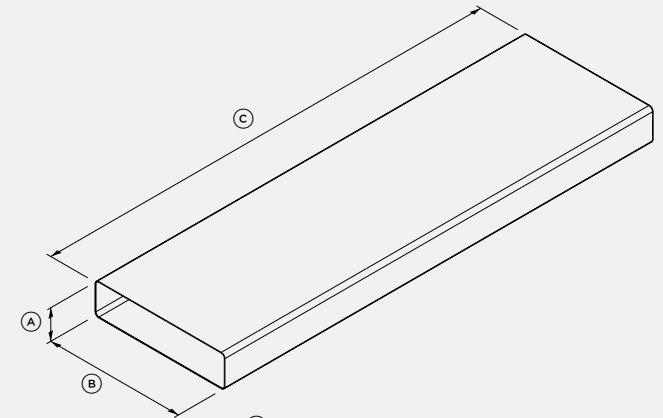
③ Straight Adapter, 300x70 Rectangular to Round



④ Duct Adapter 90°, 300x70 Rectangular to Round



⑤ Connector, 300x70



⑥ Duct 1M, 300x70

Part	Supplied	Accessory No.	(A) Height	(B) Width	(C) Depth
① Horizontal Elbow, 90°, 300x70mm*	x1	E90H30X7	77	352	352
② Vertical Elbow, 90°, 300x70mm*	x2	E90V30X7	137	307	137
③ Straight Adaptor, 300x70mm Rectangular to 150mm Round*	x1	DA30X7D15	150	307	250
④ Duct Adaptor, 90°, 300x70mm Rectangular to 150mm Round*	x1	DA90D30X7D15	139	307	240
⑤ Connector for 300x70mm Ducting*	x1	C30X7	77	307	85
⑥ Duct, 1m, 300x70mm*	x1	D100X30X7	73	303	1000

* Component also available as an optional accessory

** Must be used over a pyrolytic oven

*** For connection to Recirculation Kit KRCD834

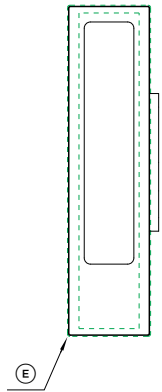
CRITICAL NOTE

It is essential to work with CAD downloads of Modular Downdraft components to design a ducting layout best suited to specific cabinetry requirements. For design planning and installation support please contact the Fisher & Paykel design support team. designsupport@fisherpaykel.com

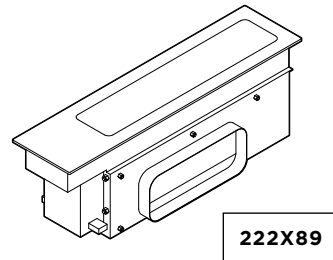
INDICATES CABINERY / PRODUCT DATUM -----
 INDICATES CABINERY CLEARANCES - - - - -
 INDICATES CUTOUT - - - - -

IMPORTANT NOTE: Throughout this guide, dimensions may vary by ±2mm (1/16"). Please read the installation manual for detailed information on installing the product. For full installation instructions & specifications visit fisherpaykel.com

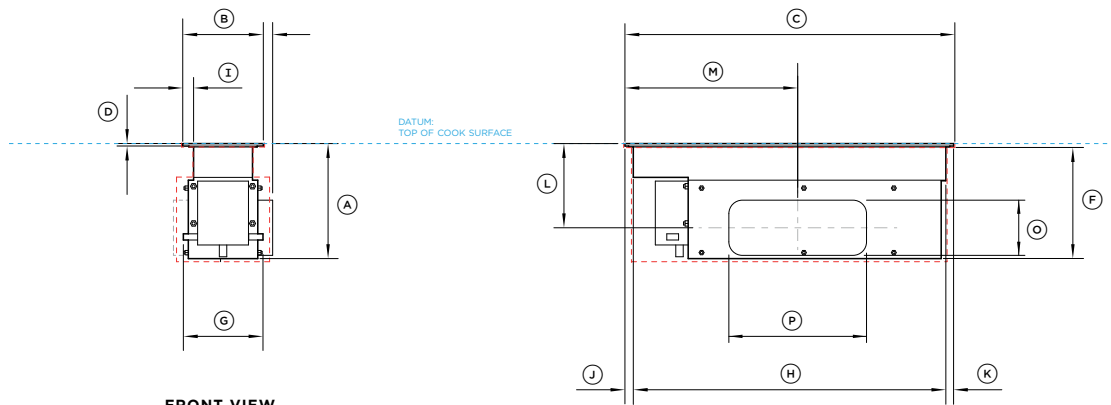
MAINBOX



PLAN VIEW



222X89



FRONT VIEW

PROFILE VIEW



Model no:

13cm Modular Auxiliary Downdraft Extraction, Black - **CD13DB2**
 13cm Modular Auxiliary Downdraft Extraction, Grey - **CD13DG2**

Product Dimensions	mm
(A) Overall height of mainbox	186
(B) Overall width of mainbox	130
(C) Overall depth of mainbox	530
(D) Height of glass (includes flange and tape)	6
(E) Corner radius of glass	2
(F) Height of chassis	180
(G) Width of lower chassis (includes communication ports)	126
(H) Depth of chassis	504
(I) Width from sides of glass to neck of chassis	18
(J) Depth from front edge of glass to chassis	14
(K) Depth from back edge of glass to chassis	13
(L) Height from top of glass to centre of outlet	136
(M) Depth from front edge of glass to centre of outlet	279
(N) Width from edge of glass to outside of outlet	36
(O) Height of ducting	89
(P) Width of ducting	222

Product Clearances	mm
Minimum clearance from top surface to top of any appliances, companion product or obstruction below mainbox	200

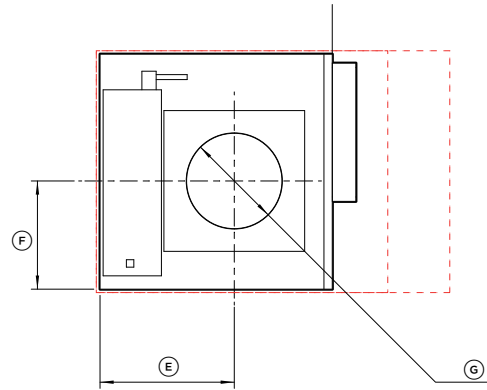
Cutout Dimensions*	Proud mm	Flush mm
Overall width of cutout	98	98
Overall depth of cutout	507	509
Overall width of recess	-	134
Overall depth of recess	-	534
Overall height of recess	-	6.5
Recess corner radius	-	4

* Note cutout position is centred to the cooktop.

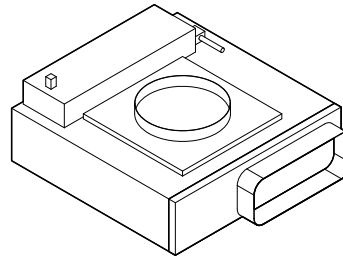
INDICATES CABINETRY / PRODUCT DATUM -----
 INDICATES CABINETRY CLEARANCES - - - - -
 INDICATES CUTOUT - - - - -

IMPORTANT NOTE: Throughout this guide, dimensions may vary by ±2mm (1/16"). Please read the installation manual for detailed information on installing the product. For full installation instructions & specifications visit fisherpaykel.com

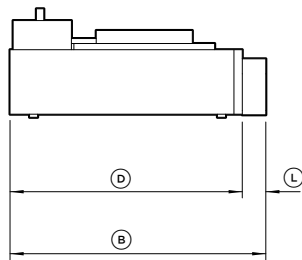
BLOWERBOX



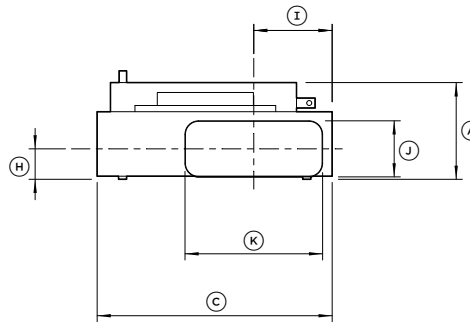
PLAN VIEW



222X89



FRONT VIEW



PROFILE VIEW



Model no:

13cm Modular Auxiliary Downdraft Extraction, Black - **CD13DB2**
 13cm Modular Auxiliary Downdraft Extraction, Grey - **CD13DG2**

Product Dimensions

	mm
Ⓐ Overall height of blowerbox	156
Ⓑ Overall width of blowerbox (including outlet)	413
Ⓒ Overall depth of blowerbox	379
Ⓓ Width of blowerbox chassis	375
Ⓔ Width from corner to centre of inlet	217
Ⓕ Depth from corner to centre of inlet	175
Ⓖ Internal diameter of inlet	154
Ⓗ Height from base of product to centre of outlet	49
Ⓘ Width from outside of chassis to centre of outlet	127
Ⓣ Height of outlet	89
Ⓚ Width of outlet	222
Ⓛ Depth of outlet	38

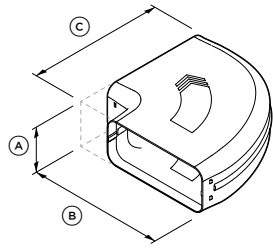
Cutout Dimensions*

	mm
Recommended width of cutout **	570
Minimum width of cutout ***	470
Depth of cutout	390

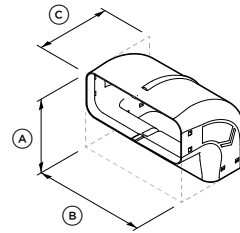
* Blowerbox can be rotated to achieve desired outlet direction, cutout dimensions must be rotated accordingly.
 ** Recommended width allows greater access to outlet during installation.
 *** Clearance only for blowerbox, does not provide allowances for connecting to ducting.

INDICATES CABINETRY / PRODUCT DATUM -----
 INDICATES CABINETRY CLEARANCES - - - - -
 INDICATES CUTOUT - - - - -

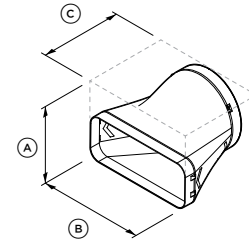
IMPORTANT NOTE: Throughout this guide, dimensions may vary by ±2mm (1/16"). Please read the installation manual for detailed information on installing the product. For full installation instructions & specifications visit fisherpaykel.com



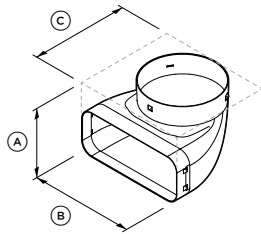
① 90° Bend Horizontal, 222x89



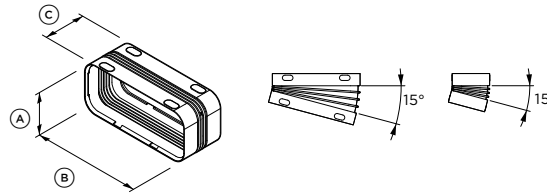
② 90° Bend Vertical, 222x89



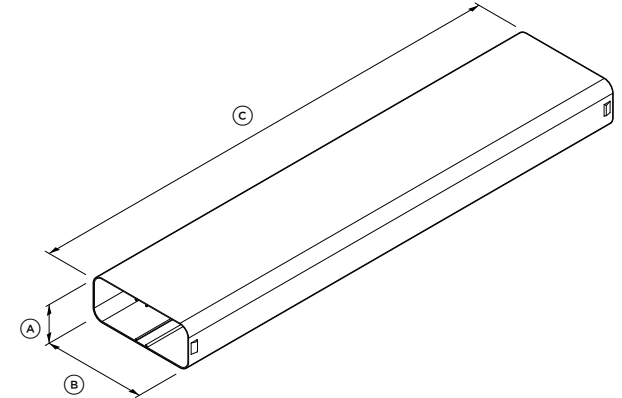
③ Adaptor Straight, 150 to 222x89



④ Adaptor 90°, 150 to 222x89



⑤ Joiner Flexi, 222x89



⑥ Duct Straight, 222x89

Part	Supplied	Part No	(A) Height	(B) Width	(C) Depth
① Duct 90° Bend Horizontal 222x89*	x1	E90H222X89	98	290	290
② Duct 90° Bend Vertical 222x89*	x2	E90V222X89	164	228	164
③ Duct Adaptor Straight 150 to 222x89*	x1	DA222X89D150	154	227	166
④ Duct Adaptor 90° 150 to 222x89*	x1	DA90D222X89D150	137	227	200
⑤ Duct Joiner Flexi 222x89*	x5	C222X89	100	233	85
⑥ Duct Straight Length 1m, 222x89*	x1	D1000X222X89	89	222	1000

* Component also available as an optional accessory

CRITICAL NOTE

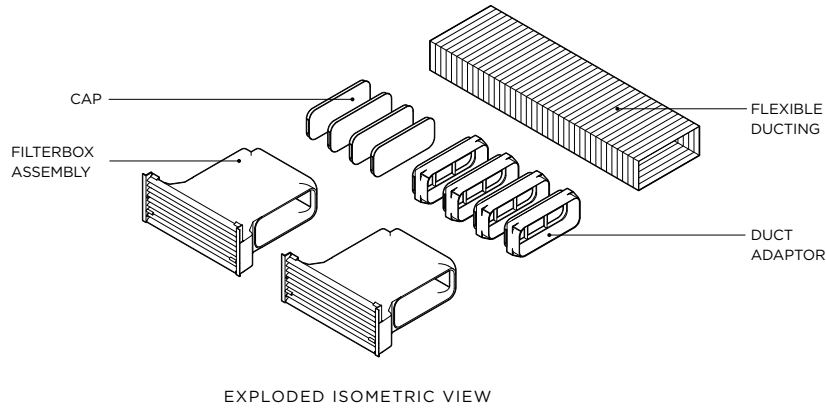
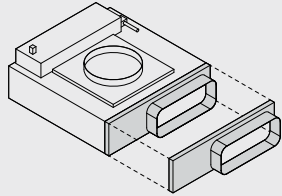
It is essential to work with CAD downloads of Modular Downdraft components to design a ducting layout best suited to specific cabinetry requirements. For design planning and installation support please contact the Fisher & Paykel design support team. designsupport@fisherpaykel.com

INDICATES CABINERY / PRODUCT DATUM -----
 INDICATES CABINERY CLEARANCES - - - - -
 INDICATES CUTOUT - - - - -

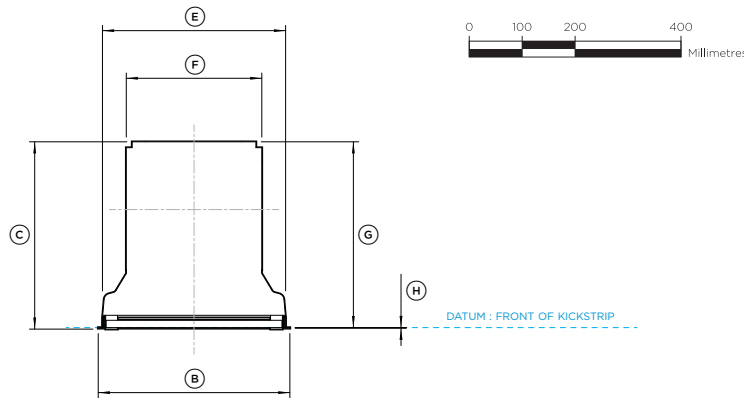
IMPORTANT NOTE: Throughout this guide, dimensions may vary by ±2mm (1/16"). Please read the installation manual for detailed information on installing the product. For full installation instructions & specifications visit fisherpaykel.com

IMPORTANT NOTE

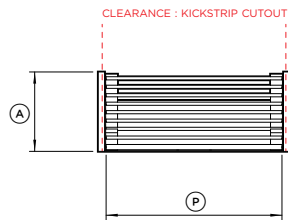
If specifying Recirculation Kit KRCID834 you will also require the Outlet Adaptor, Blower OAB222X89



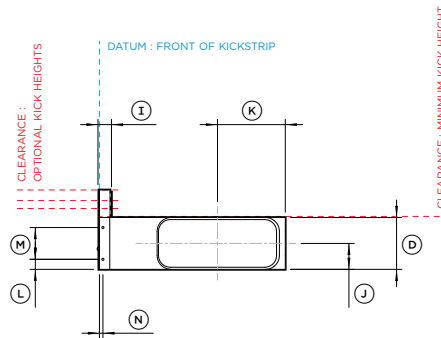
EXPLODED ISOMETRIC VIEW



PLAN VIEW



FRONT VIEW



PROFILE VIEW

Optional Accessory Model no:

Recirculation Kit - KRCID834

Component Description	Quantity
Filter Box Assembly	x2
Duct Adaptor	x4
Cap	x4
3m Flexible Ducting	x1

Product Dimensions

mm

Ⓐ Overall height of filter box assembly (louvres can be trimmed to suit kickstrip)	150/130/115/100
Ⓑ Overall width of filter box assembly	362
Ⓒ Overall depth of filter box assembly	354
Ⓓ Height of filter box	98
Ⓔ Width of filter box at front	346
Ⓕ Width of filter box at rear	256
Ⓖ Depth of filter box (excludes bracket)	351
Ⓗ Depth of bracket flange	1
Ⓘ Depth of bracket and louvres	26
Ⓛ Height from bottom of filter box to centre of outlets	49
Ⓚ Depth from rear of filter box to centre of side outlets	128
Ⓛ Height from bottom of bracket to lower hole centre	19
Ⓜ Height between hole centres	60
Ⓝ Depth from rear of bracket flange to hole centre	7
Ⓞ Hole diameter	4
Ⓟ Width of louvres	332

Kickstrip Dimensions

mm

Height of kickstrip (louvres trimmed to suit)	150/130/115/100
Overall width of cutout	347

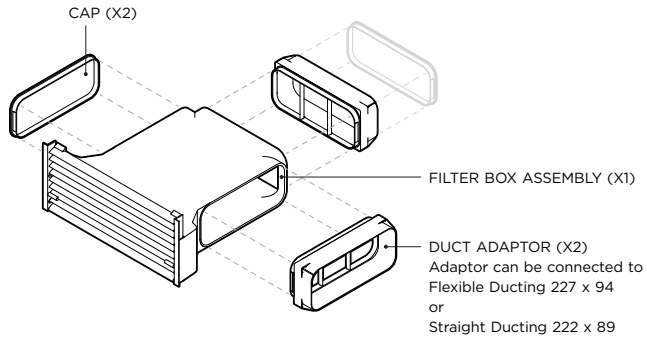
INDICATES CABINERY / PRODUCT DATUM

INDICATES CABINERY CLEARANCES

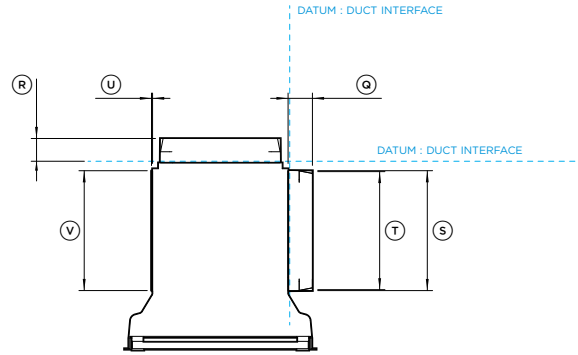
INDICATES CUTOUT

IMPORTANT NOTE: Throughout this guide, dimensions may vary by ±2mm (1/16"). Please read the installation manual for detailed information on installing the product. For full installation instructions & specifications visit fisherpaykel.com

FILTER BOX ASSEMBLY WITH DUCT ADAPTOR AND CAPS - X2 SETS SUPPLIED
 Position of caps and adaptors can be interchanged to suit ducting layout



EXPLODED ISOMETRIC VIEW



PLAN VIEW

Optional Accessory Model no:

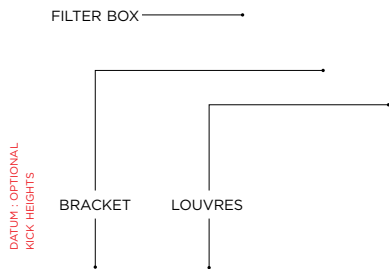
Recirculation Kit - KRCID834

Product Dimensions

	mm
Ⓐ Distance from edge of duct adaptor to edge of filter box	46
Ⓑ Internal depth of female end of duct adaptor	43
Ⓒ Overall length of duct adaptor	227
Ⓓ Internal length of female end of duct adaptor	223
Ⓔ Overall height of duct adaptor (not shown)	94
Ⓕ Internal height of female end of duct adaptor (not shown)	90
Ⓖ Thickness of cap from edge of filter box	2
Ⓤ Length of cap	226
Ⓣ Height of cap (not shown)	93

Kickstrip Dimensions

	mm
Height of kickstrip (louvres trimmed to suit)	150/130/115/100
Overall width of cutout	347



PROFILE VIEW

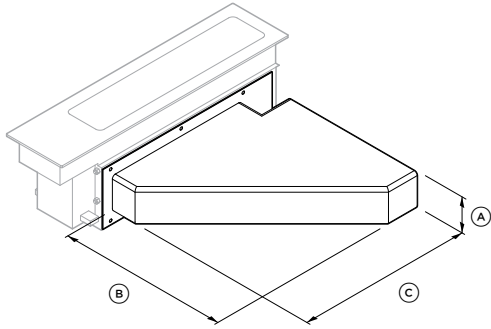
EXPLODED ISO VIEW
 FILTER BOX, BRACKETS + LOUVRES

Ⓜ 100 Ⓝ 115 Ⓟ 130 Ⓡ 150

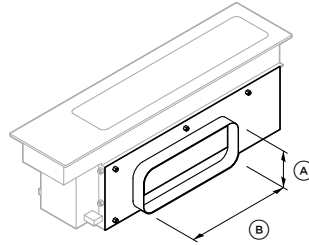
EXPLODED PROFILE VIEW
 BRACKET + LOUVRES

INDICATES CABINETRY / PRODUCT DATUM -----
 INDICATES CABINETRY CLEARANCES - - - - -
 INDICATES CUTOUT - - - - -

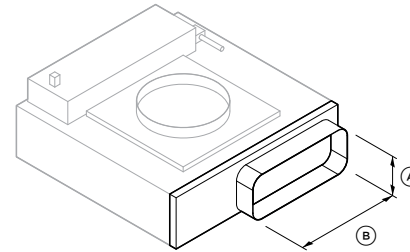
IMPORTANT NOTE: Throughout this guide, dimensions may vary by ±2mm (1/16"). Please read the installation manual for detailed information on installing the product. For full installation instructions & specifications visit fisherpaykel.com



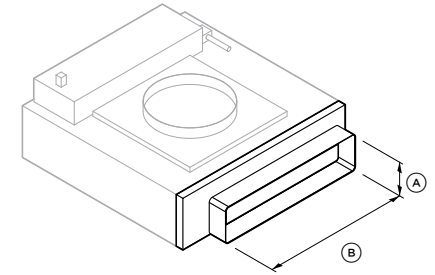
① Horizontal Elbow, 90°, 300x70, Steel



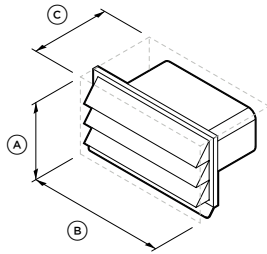
② Mainbox Outlet Adaptor, 222x89



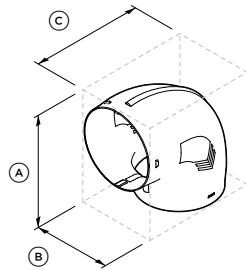
③ Blowerbox Outlet Adapter, 222x89



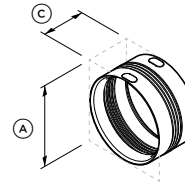
④ Blowerbox Outlet Adapter, 300x70



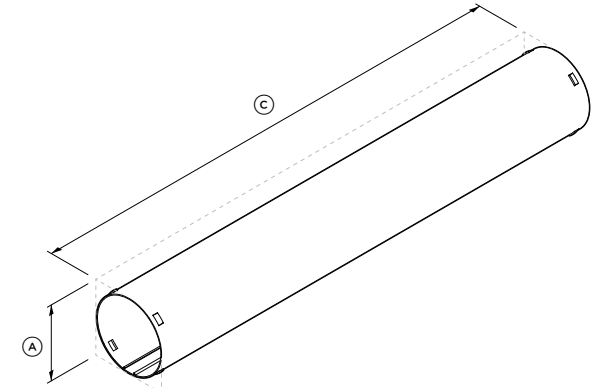
⑤ Outlet Grille, 222x89



⑥ 90° Bend, Round 150



⑦ Joiner Flexi, Round 150



⑧ Duct Straight Length 1m, Round, 150

Optional Accessory

① Horizontal Elbow, 90°, 300x70mm, Steel*

② Mainbox Outlet Adaptor, 222x89mm (outlet dimensions shown)

③ Blower Outlet Adaptor, 222x89mm (outlet dimensions shown)

④ Blower Outlet Adaptor, 300x70mm (outlet dimensions shown)

⑤ Outlet Grille, 222x89

⑥ Duct 90 Vertical Round 150

⑦ Duct Joiner Flexi Round 150

⑧ Duct Straight Round Length 150

Part No

E90H30X7S

OAD222X89

OAB222X89

OAB300X70

DO-G-SS

E90V150

C150

D1000X150

A Height

74

89

89

70

161

227

163

150

B Width

350

222

222

300

290

157

150

150

C Depth

363

-

-

-

163

227

85

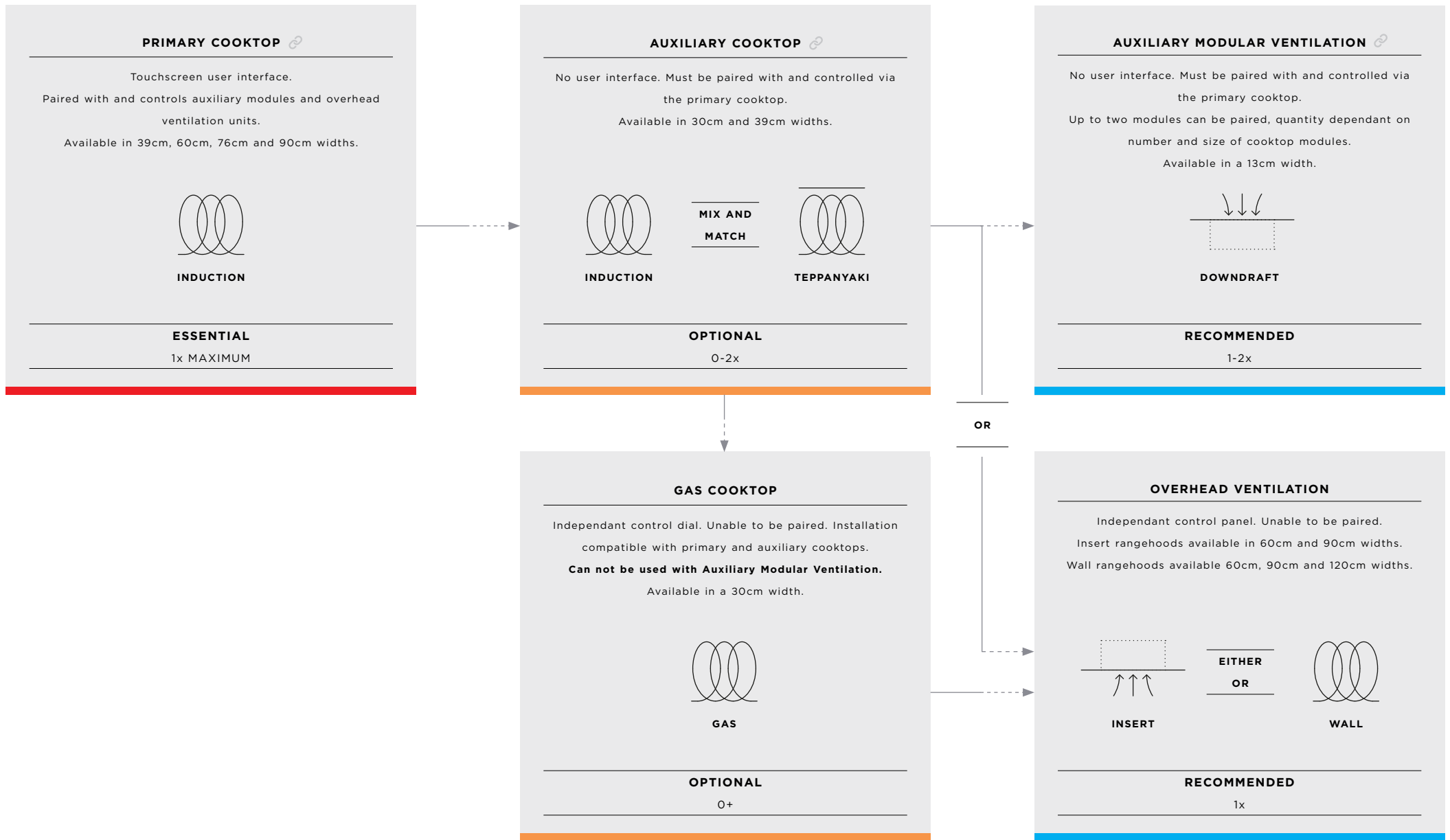
1000

* for installation directly above an oven when 300x70 ducting is used. Not required for 222x89 ducting.

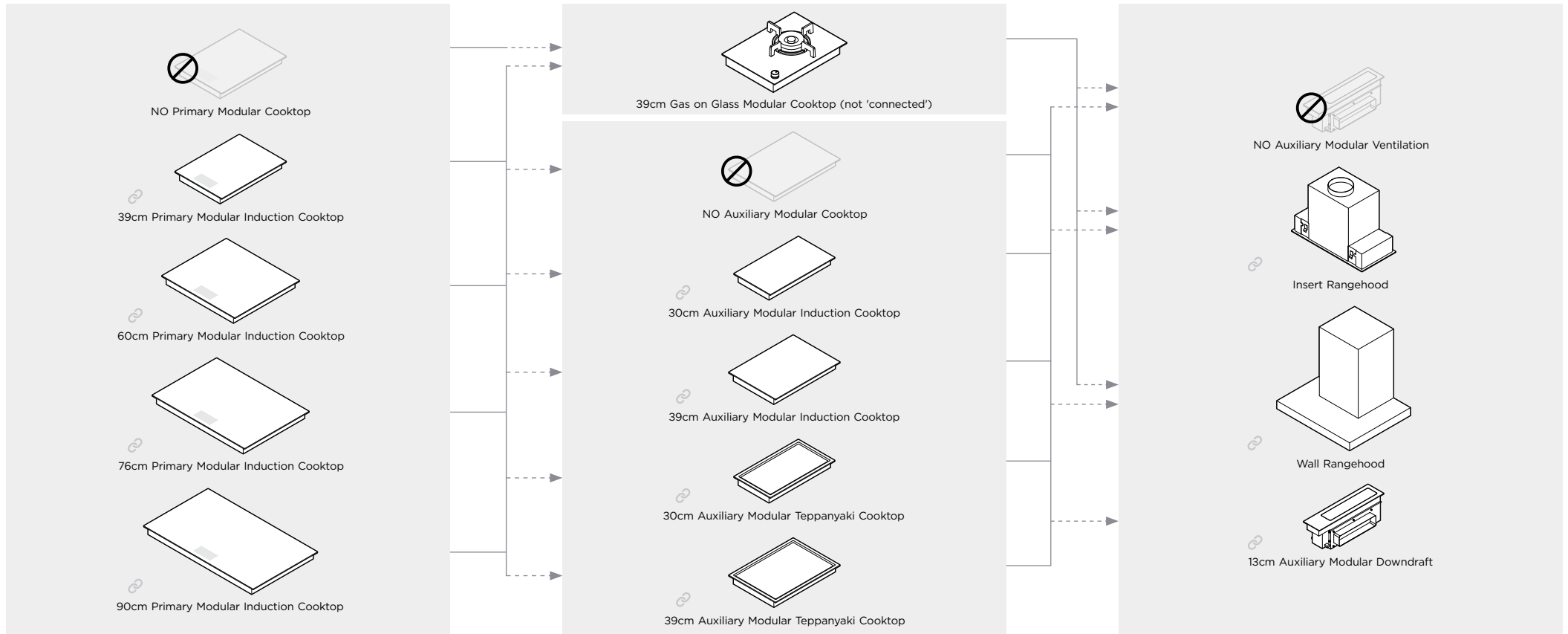
CRITICAL NOTE

It is essential to work with CAD downloads of Modular Downdraft components to design a ducting layout best suited to specific cabinetry requirements. For design planning and installation support please contact the Fisher & Paykel design support team. designsupport@fisherpaykel.com

PRODUCT DECISIONS



The models shown in this Planning Guide may not be available in all markets and are subject to change at any time. Product specifications may vary from those shown. This Planning Guide should not be used as installation guidance for any product. Further information is required to safely and correctly install the products featured here. Specific installation guidance will be available with the product on delivery and on our website fisherpaykel.com



Primary cooktops have a touchscreen via which the Auxiliary Induction, Teppanyaki and Ventilation modules are controlled. Gas on Glass modules are independently controlled and can not be paired with a Primary module.

PRIMARY MODULAR COOKTOPS	Black Glass	Grey Glass
39cm Primary Modular Induction Cooktop	CI392DTTB1	CI392DTTG1
60cm Primary Modular Induction Cooktop	CI604DTTB1	CI604DTTG1
76cm Primary Modular Induction Cooktop	CI764DTTB1	CI764DTTG1
90cm Primary Modular Induction Cooktop	CI905DTTB1	CI905DTTG1

Mix and match up to 2x Auxiliary cooktops and multiple Gas on Glass modules.

GAS ON GLASS MODULAR COOKTOPS	Black Glass	Grey Glass
39cm Gas on Glass Modular Cooktop, LPG	CG391DLPGB5	CG391DLPGG5
39cm Gas on Glass Modular Cooktop, Town Gas	CG391DTGGB5	CG391DTGGG5
AUXILIARY MODULAR COOKTOPS	Black Glass	Grey Glass
30cm Auxiliary Modular Induction Cooktop	CI302DB1	CI302DG1
39cm Auxiliary Modular Induction Cooktop	CI392DB1	CI392DG1
	Stainless	
30cm Auxiliary Modular Teppanyaki Cooktop	CIT302DX1	
39cm Auxiliary Modular Teppanyaki Cooktop	CIT392DX1	

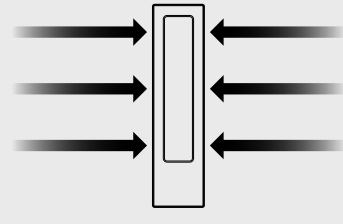
Ventilation options are dependant on module sizes, pairings and cook type. Overhead ventilation can be used for all cook types. Modular downdraft ventilation can only be installed with with Induction and Teppanyaki modules, do not install with Gas on Glass.

AUXILIARY MODULAR VENTILATION	Black Glass	Grey Glass
13cm Auxiliary Modular Downdraft, 300x70 ducting	CD13DB1	CD13DG1
13cm Auxiliary Modular Downdraft, 222x89 ducting	CD13DB2	CD13DG2
OVERHEAD VENTILATION	Stainless	Black
60cm Integrated Insert Rangehood	HP60IDCHX4	
90cm Integrated Insert Rangehood	HP90IDCHX4	
60cm Wall Rangehood, Box Chimney	HC60DCXB4	
90cm Wall Rangehood, Box Chimney	HC90DCXB4	HC90DCBB4

The models shown in this Planning Guide may not be available in all markets and are subject to change at any time. Product specifications may vary from those shown. This Planning Guide should not be used as installation guidance for any product. Further information is required to safely and correctly install the products featured here. Specific installation guidance will be available with the product on delivery and on our website fisherpaykel.com

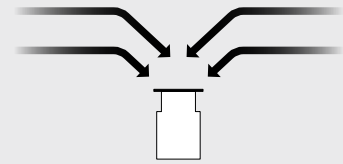
DOWNDRAFT VENTILATION

The modular ventilation unit is a downdraft ventilation system that efficiently extracts air across and downwards.



TOP VIEW

The modular ventilation unit provides efficient ventilation to adjacent cook zones. Consideration of cook zone layout and cook module size is critical for optimum pairing of ventilation type and quantity.

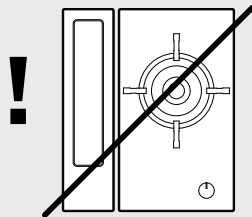


FRONT VIEW

Important: Where modular ventilation is unable to provide efficient venting it is recommended that overhead extraction is chosen.

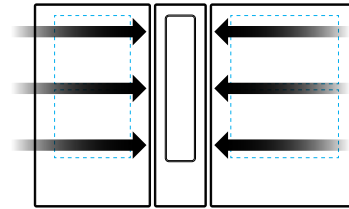
WARNING:

Modular Ventilation cannot be used alongside a gas Cooktop.

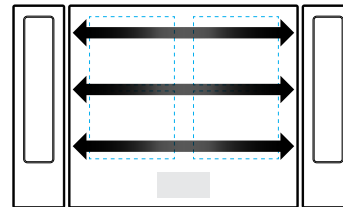


SUFFICIENT VENTILATION

ADJACENT COOKZONES ARE EFFECTIVELY VENTED



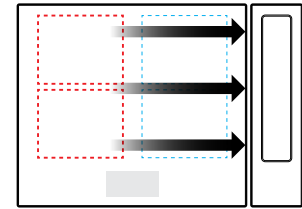
30CM + 39CM MODULES



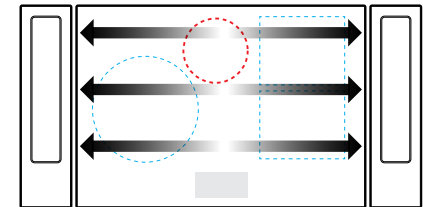
60CM PRIMARY MODULE WITH 2X DOWNDRAFT

INSUFFICIENT VENTILATION

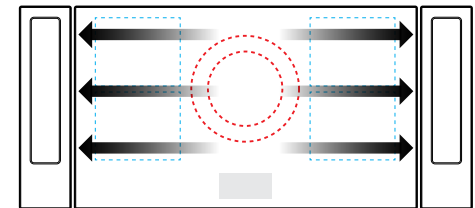
NON-ADJACENT COOKZONES ARE NOT SUFFICIENTLY VENTED



60CM PRIMARY MODULE WITH 1X DOWNDRAFT



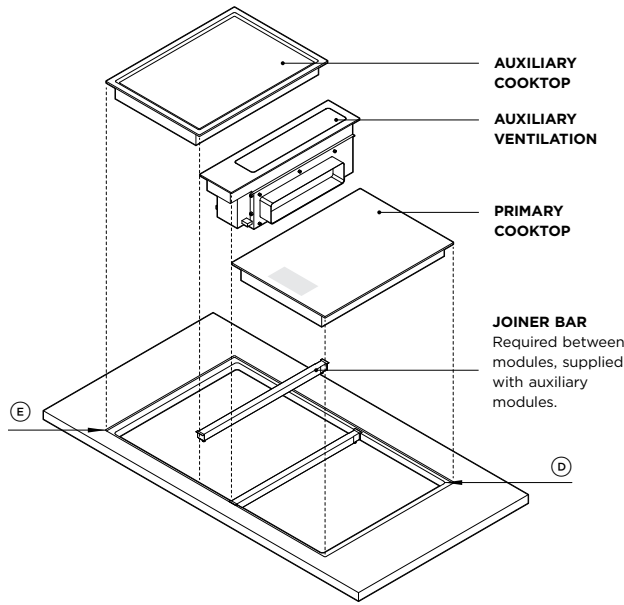
76CM PRIMARY MODULE WITH 2X DOWNDRAFT



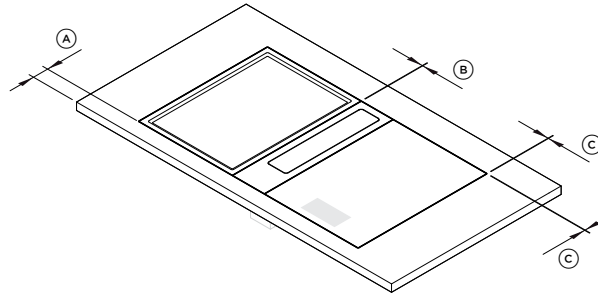
90CM PRIMARY MODULE WITH 2X DOWNDRAFT

The models shown in this Planning Guide may not be available in all markets and are subject to change at any time. Product specifications may vary from those shown. This Planning Guide should not be used as installation guidance for any product. Further information is required to safely and correctly install the products featured here. Specific installation guidance will be available with the product on delivery and on our website fisherpaykel.com

PLANNING CONSIDERATIONS



INSTALLATION OVERVIEW



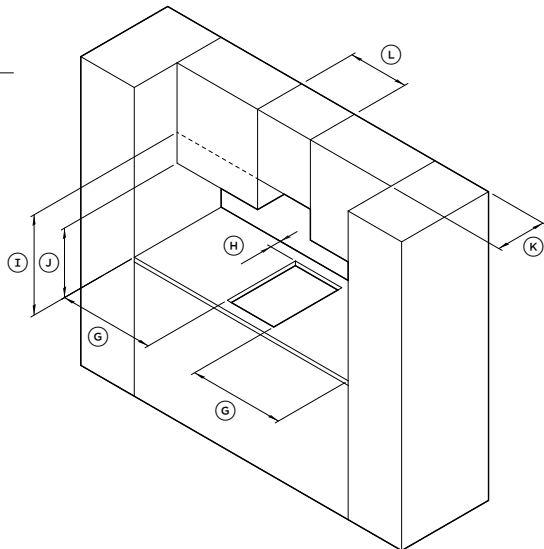
BENCHTOP DIMENSIONS		mm
(A)	Nominal distance from front of benchtop to front of cooktop ***	60
(B)	Distance between modules	2
(C)	Distance between edge of module and edge of recess	2
(D)	Corner radii of cutout	max 10
(E)	Corner radii of recess	4

* Based on nominal distance 'B'
 ** Guideline only, based on cabinetry constructed from 19mm panels and generic ducting layout. May vary due to specific cabinetry requirements and ducting layout.
 *** Nominal dimension, can be altered to suit aesthetic, cabinetry and benchtop requirements.

IMPORTANT NOTE

Cutout widths and radii may not be possible in certain benchtop materials. Please refer to suppliers material specifications and fabrication parameters.

CLEARANCE OVERVIEW



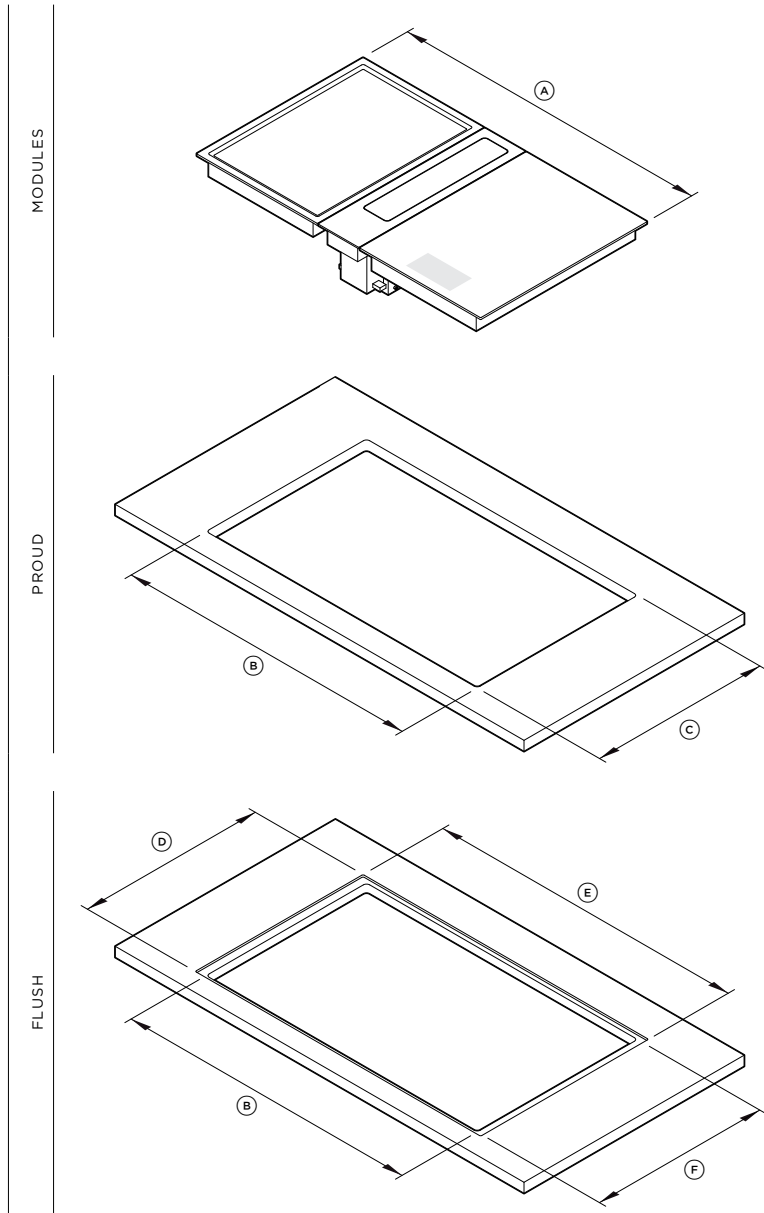
CABINERY CLEARANCE DIMENSIONS

	Induction & Tepanyaki	Gas on Glass
	mm	mm
(G) Minimum clearance from side edges of cutout to nearest combustible surface	29	120
(H) Minimum clearance from rear edge of cutout to nearest combustible surface	21	85
(I) Minimum clearance from benchtop to:	Overhead cabinet centered above the cooktop (non combustible)	500
	Rangehood or downward facing combustible surface	610
	Overhead exhaust fan	610
(J) Minimum clearance from benchtop to overhead cabinet not directly above cooktop	450	450
(K) Maximum depth of overhead cabinetry	330	330
(L) Minimum distance between overhead cabinets (not centered above cooktop)	combined cooktop width	combined cooktop width

IMPORTANT NOTE

Gas on Glass modules have greater clearance requirements compared to Induction and Tepanyaki modules. For multiproduct installations ensure clearances are achieved for the product with the greater clearance requirements.

The models shown in this Planning Guide may not be available in all markets and are subject to change at any time. Product specifications may vary from those shown. This Planning Guide should not be used as installation guidance for any product. Further information is required to safely and correctly install the products featured here. Specific installation guidance will be available with the product on delivery and on our website fisherpaykel.com



COMBINED BENCHTOP EQUATIONS

Pairings of modular products have been designed to fit in a singular benchtop cutout. When grouping modules it is essential to calculate their combined cutout requirements. The following equations can be used to guide calculations.
For dimensions of common configurations please refer to subsequent pages.

(A)	OVERALL WIDTH OF MODULES	=	COMBINED PRODUCT WIDTHS add module widths	+	GAPS BETWEEN MODULES 2mm x (number of modules -1)
-----	--------------------------	---	--	---	--

(B)	WIDTH OF CUTOUT FLUSH AND PROUD	=	OVERALL WIDTH OF MODULES	-	LEFT OVERHANG 19mm Cooktops OR 16mm Downdraft	-	RIGHT OVERHANG 19mm Cooktops OR 16mm Downdraft
-----	------------------------------------	---	--------------------------	---	---	---	--

(C)	DEPTH OF CUTOUT PROUD	=	507mm
-----	--------------------------	---	-------

(B)	WIDTH OF CUTOUT FLUSH AND PROUD	=	OVERALL WIDTH OF MODULES	-	LEFT OVERHANG 19mm Cooktops OR 16mm Downdraft	-	RIGHT OVERHANG 19mm Cooktops OR 16mm Downdraft
-----	------------------------------------	---	--------------------------	---	---	---	--

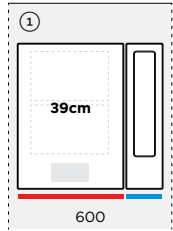
(D)	DEPTH OF CUTOUT FLUSH	=	509mm
-----	--------------------------	---	-------

(E)	WIDTH OF RECESS FLUSH	=	OVERALL WIDTH OF MODULES	+	4mm 2mm each side
-----	--------------------------	---	--------------------------	---	----------------------

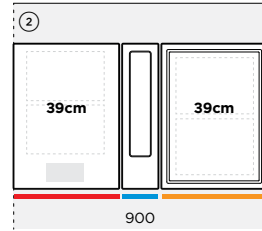
(F)	DEPTH OF RECESS FLUSH	=	534mm	=	530mm product depth	+	4mm 2mm top and bottom
-----	--------------------------	---	-------	---	------------------------	---	---------------------------

The models shown in this Planning Guide may not be available in all markets and are subject to change at any time. Product specifications may vary from those shown. This Planning Guide should not be used as installation guidance for any product. Further information is required to safely and correctly install the products featured here. Specific installation guidance will be available with the product on delivery and on our website fisherpaykel.com

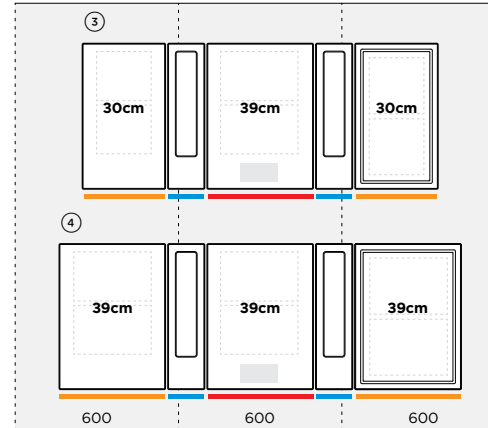
SINGLE - COMPACT <600



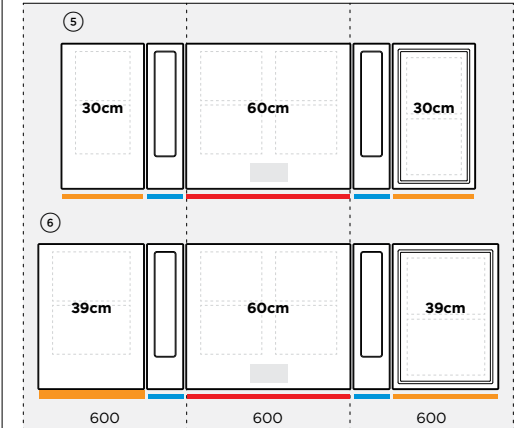
TWO IN A ROW - MID 900



THREE IN A ROW - WIDE >1200



THREE IN A ROW - EXTRA WIDE >1450



① SINGLE WITH MODULAR VENTILATION - 39

Dimensions	W x D x H
Combined Module Size	517 x 530 x 180
Recess, flush	521 x 534 x 6.5
Cutout, flush*	482 x 509
Cutout, proud*	482 x 507

*Cutout width not central to overall width of modules. Offset specific to placement of downdraft unit to the left or right. Side overhangs differ for downdraft and cooktop - downdraft 16mm, cooktops 19mm. Refer 'Benchtop Installation Details' for more information.

② TWO IN A ROW WITH MODULAR VENTILATION - 39+39

Dimensions	W x D x H
Combined Module Size	904 x 530 x 180
Recess, flush	908 x 534 x 6.5
Cutout, flush*	862* x 509
Cutout, proud*	862* x 507

*Glass overhang at sides adjusted to fit 900mm cabinet. Dimensions specific to 900 cabinet constructed from 19mm panels. 866W cutout recommended if cabinetry construction allows.

③ THREE IN A ROW WITH MODULAR VENTILATION - 39+30+30

Dimensions	W x D x H
Combined Module Size	1253 x 530 x 180
Recess, flush	1257 x 534 x 6.5
Cutout, flush	1215 x 509
Cutout, proud	1215 x 507

④ THREE IN A ROW WITH MODULAR VENTILATION - 39+39+39

Dimensions	W x D x H
Combined Module Size	1423 x 530 x 180
Recess, flush	1427 x 534 x 6.5
Cutout, flush	1385 x 509
Cutout, proud	1385 x 507

⑤ THREE IN A ROW WITH MODULAR VENTILATION - 60+30+30

Dimensions	W x D x H
Combined Module Size	1468 x 530 x 180
Recess, flush	1472 x 534 x 6.5
Cutout, flush	1430 x 509
Cutout, proud	1430 x 507

⑥ THREE IN A ROW WITH MODULAR VENTILATION - 60+39+39

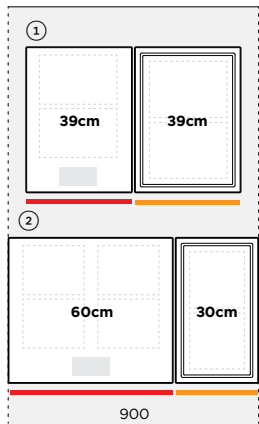
Dimensions	W x D x H
Combined Module Size	1638 x 530 x 180
Recess, flush	1642 x 534 x 6.5
Cutout, flush	1600 x 509
Cutout, proud	1600 x 507

IMPORTANT NOTE

Other configurations are possible. Cutout widths may not be possible in certain benchtop materials. Please refer to benchtop suppliers material specifications and fabrication parameters.

WARNING : GAS ON GLASS MODULES CAN NOT BE USED WITH DOWNDRAFT MODULAR VENTILATION.

MID <900



— PRIMARY COOKTOP
— AUXILIARY OR GAS ON GLASS COOKTOP

① **TWO IN A ROW - 39 + 39**

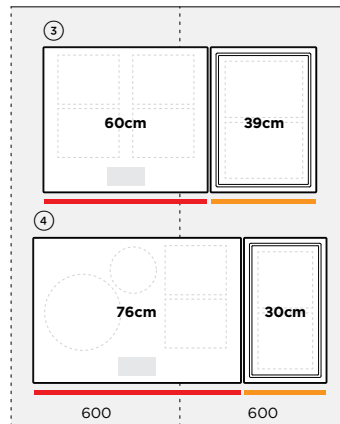
Dimensions	W x D x H
Combined Module Size	772 x 530 x 74
Recess, flush	776 x 534 x 6.5
Cutout, flush	734 x 509
Cutout, proud	734 x 507

② **TWO IN A ROW - 60 + 30**

Dimensions	W x D x H
Combined Module Size	902 x 530 x 58
Recess, flush	906 x 534 x 6.5
Cutout, flush	862* x 509
Cutout, proud	862* x 507

*Glass overhang at sides adjusted to fit 900mm cabinet. Dimensions specific to 900 cabinet constructed from 19mm panels. 866W cutout recommended if cabinetry construction allows.

WIDE <1200

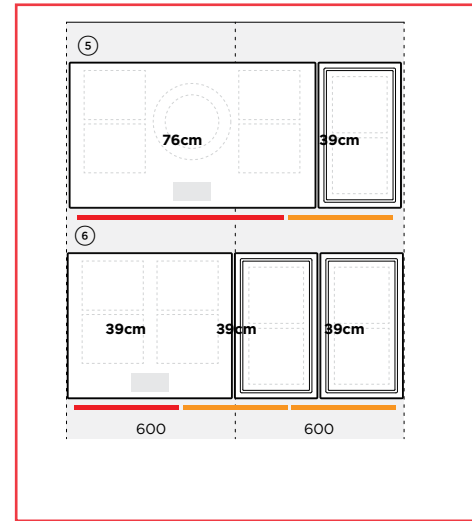


③ **TWO IN A ROW - 60 + 39**

Dimensions	W x D x H
Combined Module Size	987 x 530 x 74
Recess, flush	991 x 534 x 6.5
Cutout, flush	949 x 509
Cutout, proud	949 x 507

④ **TWO IN A ROW - 76 + 30**

Dimensions	W x D x H
Combined Module Size	1062 x 530 x 74
Recess, flush	1066 x 534 x 6.5
Cutout, flush	1024 x 509
Cutout, proud	1024 x 507

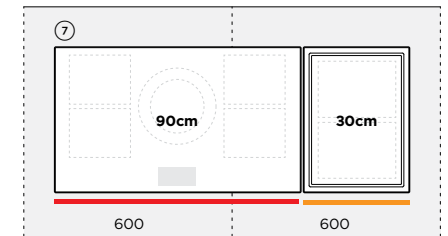


⑤ **TWO IN A ROW - 76 + 39**

Dimensions	W x D x H
Combined Module Size	1147 x 530 x 74
Recess, flush	1151 x 534 x 6.5
Cutout, flush	1109 x 509
Cutout, proud	1109 x 507

⑥ **THREE IN A ROW - 39 + 39 + 39**

Dimensions	W x D x H
Combined Module Size	1159 x 530 x 74
Recess, flush	1163 x 534 x 6.5
Cutout, flush	1166 x 509
Cutout, proud	1166 x 507



⑦ **TWO IN A ROW - 90 + 30**

Dimensions	W x D x H
Combined Module Size	1202 x 530 x 74
Recess, flush	1206 x 534 x 6.5
Cutout, flush	1164 x 509
Cutout, proud	1164 x 507

IMPORTANT NOTE

Other configurations are possible. Cutout widths may not be possible in certain benchtop materials. Please refer to benchtop suppliers material specifications and fabrication parameters.

The models shown in this Planning Guide may not be available in all markets and are subject to change at any time. Product specifications may vary from those shown. This Planning Guide should not be used as installation guidance for any product. Further information is required to safely and correctly install the products featured here. Specific installation guidance will be available with the product on delivery and on our website fisherpaykel.com

BENCHTOP INSTALLATION

A flush or proud finish between the top surface of the modules and benchtop is achievable.

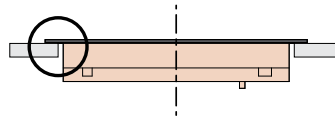
Some overhang details are common left to right or front to back, however there are small dimensional changes between proud and flush, cooking modules and ventilation module.

Care needs to be taken during planning and fabrication to ensure successful installation of modules

Shimming may be required during flush installation.

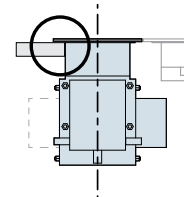
SIDE OVERHANGS

COOKTOP MODULES



FRONT VIEW

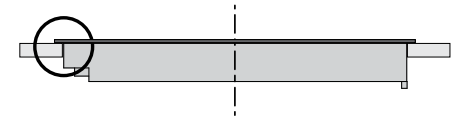
DOWNDRAFT MODULE



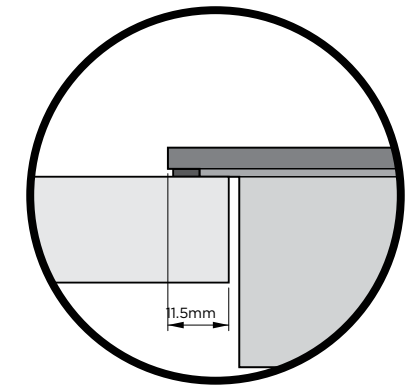
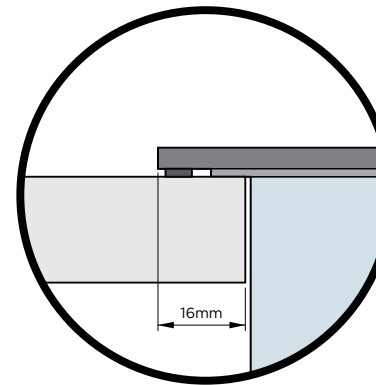
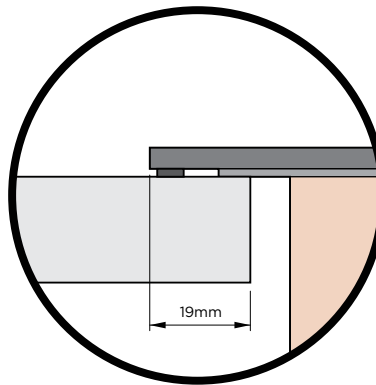
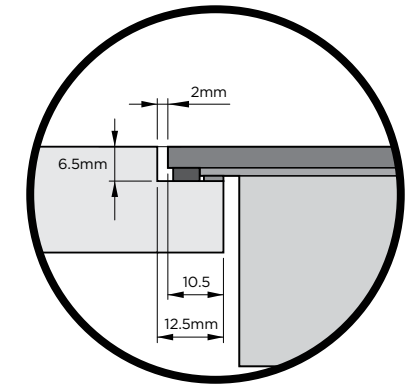
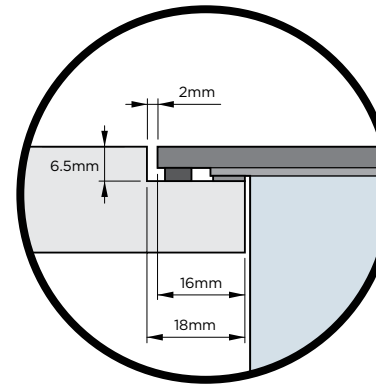
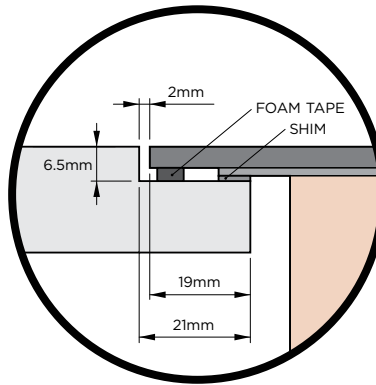
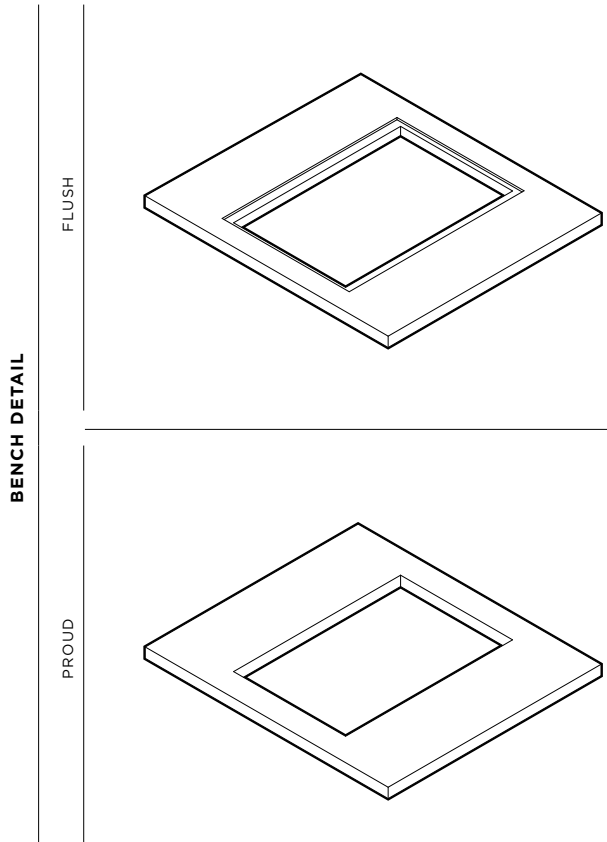
FRONT VIEW

FRONT + REAR OVERHANG

ALL MODULES



PROFILE VIEW

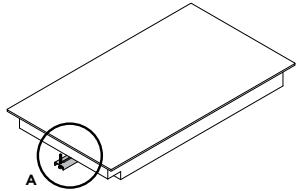


The models shown in this Planning Guide may not be available in all markets and are subject to change at any time. Product specifications may vary from those shown. This Planning Guide should not be used as installation guidance for any product. Further information is required to safely and correctly install the products featured here. Specific installation guidance will be available with the product on delivery and on our website fisherpaykel.com

BRACKET TYPES

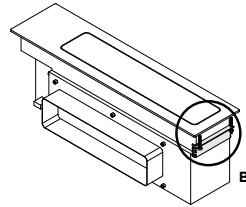
COMMON BRACKET

Applies to all bracket locations, excluding rear downdraft

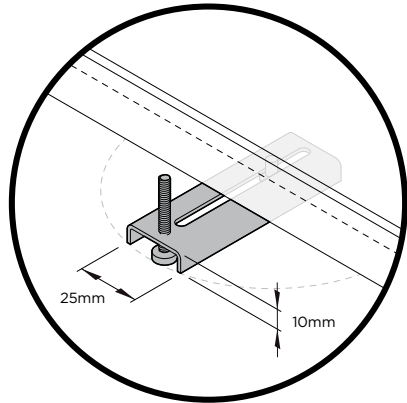


ISO FRONT VIEW

REAR DOWNDRAFT BRACKET

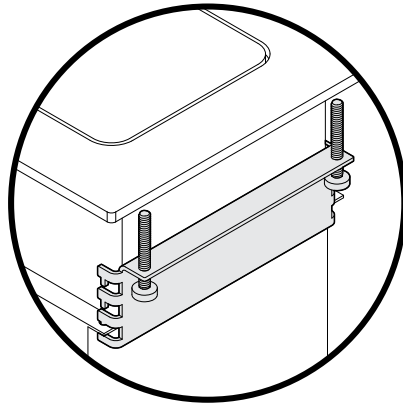


ISO REAR VIEW



DETAIL A

Can be rotated and moved horizontally



DETAIL B

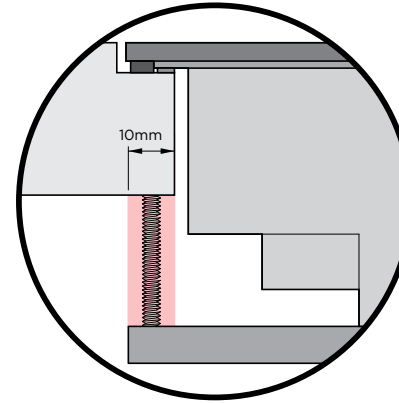
Bracket can be repositioned vertically

CLEARANCE REQUIREMENTS

ALL MODULES



SIDE VIEW



DETAIL C

Minimum clearance common to all brackets left/right and front/rear

CLAMPS

Clamps are supplied with modules to secure their position to benchtop. There are two types, common and rear downdraft.

It is recommended to have 10mm clearance from edge of cutout for clamp engagement.

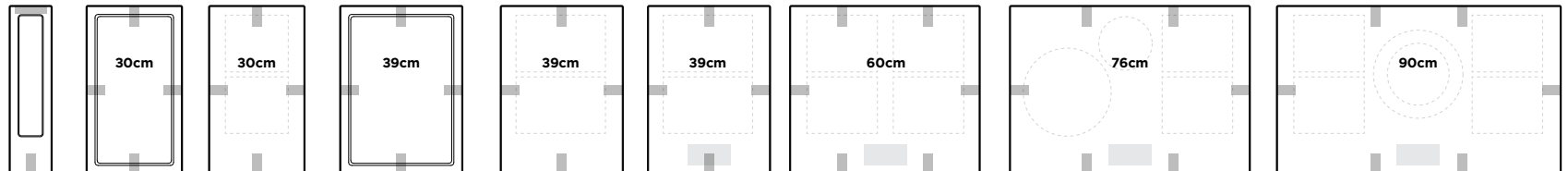
Clamps are attached to chassis at fixed hole locations. A minimum of 2 clamps are required per module, it is recommended they are positioned on opposite sides of each module eg. left and right or front and rear.

For more details please refer to Installation Guide.

CLAMP FIXING LOCATIONS

PLAN VIEW

Minimum of 2 clamps per module.



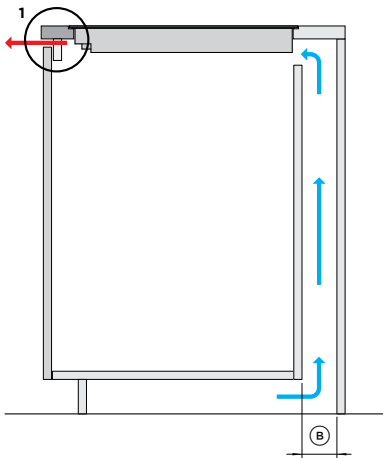
The models shown in this Planning Guide may not be available in all markets and are subject to change at any time. Product specifications may vary from those shown. This Planning Guide should not be used as installation guidance for any product. Further information is required to safely and correctly install the products featured here. Specific installation guidance will be available with the product on delivery and on our website fisherpaykel.com



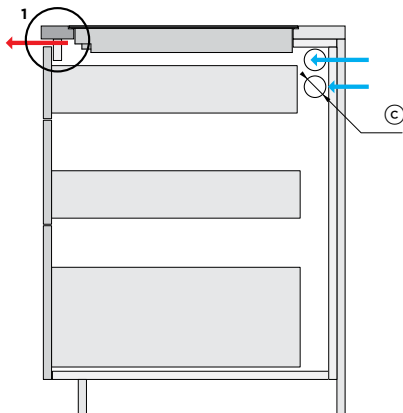
CLEARANCE REQUIREMENTS
Modules require clearance below chassis to ensure air flow.



VENTILATION REQUIREMENTS
Air intake at rear, outlet at front



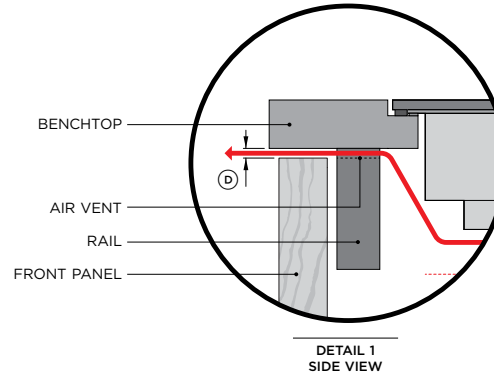
INTAKE OPTION A: SERVICE CHANNEL
Fresh air is drawn up from the kick cavity through service channel at rear of cabinetry. If cavities are tightly sealed, ventilation holes in kick panel are required.



INTAKE OPTION B: ADJACENT CABINETS
2x Ø50 holes are required in each side wall through to adjacent cabinets. Total of 4x holes required.

VENTILATION OUTLET

Hot air from cook modules must be able to exit at front of cabinets, the most direct route is recommended. The detail below shows one solution where cutouts have been made in the support rail at front of cabinet, other routes are possible but must meet dimensional guidelines in table.

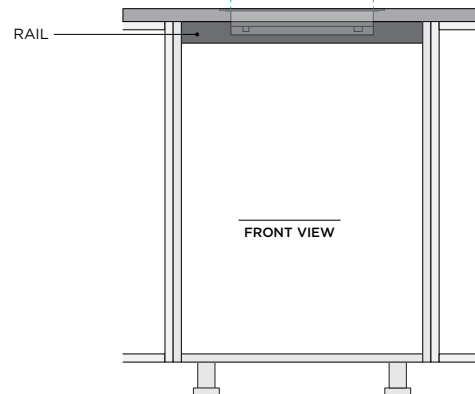
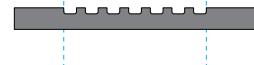


EXAMPLE VENTILATION CUTOUTS

Single cutout in rail, full width of chassis, 4mm high.



Example of alternate cutout where equivalent ventilation area is achieved.



VENTILATION OVERVIEW

The Induction and Teppanyaki modules require ventilation to allow cooling of the electronic components within the chassis. Cooling fans are located on the base of the product drawing cool air into the rear of the product while hot air exits from vents at the front.

Provisions are required in cabinetry to allow fresh air to enter and hot air to exit to ensure product ventilation and optimum product performance. When multiple products are installed their individual ventilation requirements must also be combined.

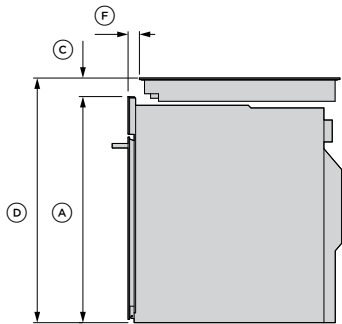
Gas on Glass modules do not require ventilation.

CLEARANCE REQUIREMENTS	mm
Ⓐ Clearance below chassis from top of cook surface	
- Induction	72
- Teppanyaki	86
- Gas on Glass	76

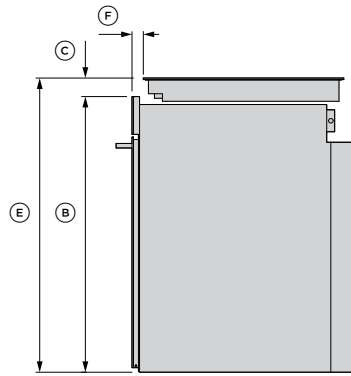
VENTILATION REQUIREMENTS		
INTAKE at rear	mm	cm ²
Ⓑ via service channel, min depth	20	-
Ⓒ through adjacent cabinets, per side wall*	2x Ø50	40
OUTLET at front*		
	w x h	cm ²
Ⓓ 4mm gap along width of chassis		
30cm cook module	255 x 4	10
39cm cook module	340 x 4	14
60cm cook module	555 x 4	22
76cm cook module	715 x 4	30
90cm cook module	855 x 4	34

* vents with equivalent-sized area possible. Must be positioned in front of product.

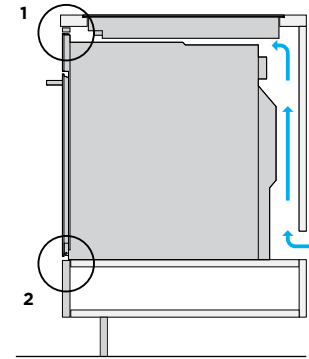
The models shown in this Planning Guide may not be available in all markets and are subject to change at any time. Product specifications may vary from those shown. This Planning Guide should not be used as installation guidance for any product. Further information is required to safely and correctly install the products featured here. Specific installation guidance will be available with the product on delivery and on our website fisherpaykel.com



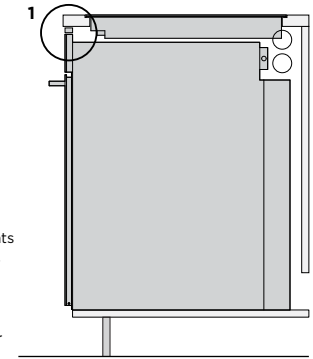
MODULE OVER 60CM OVEN



MODULE OVER 76CM OVEN



MODULE OVER 60CM OVEN IN CABINERY



MODULE OVER 76CM OVEN IN CABINERY

Ventilation requirements for modular products and ovens can be combined. Refer to oven Planning and Installation guides for requirements.

INSTALLATION WITH OVENS

Fisher & Paykel 60cm and 76cm built in ovens can be installed underneath modular cooktops and extraction.

Cooktops not included in this Planning Guide may have different clearance requirements, refer to their specific Guides.

Clearances to Fisher & Paykel ovens to not apply to cabinetry, refer to Data Sheets for clearances.

For complete oven specifications please refer to specific Planning and Installation Guides and CAD.

FISHER & PAYKEL OVEN DIMENSIONS

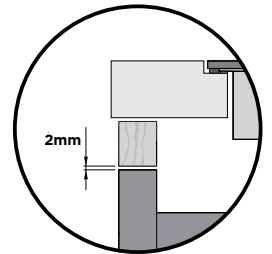
	mm
Ⓐ Height of 60cm oven	598
Width of 60cm oven (not shown)	596
Ⓑ Height of 76cm oven	729
Width of 76cm oven (not shown)	758

MODULES

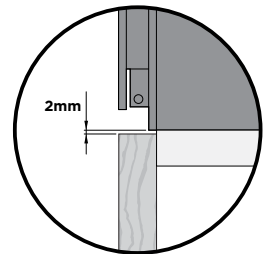
OVEN UNDER MODULE DIMENSIONS	MODULES			
	INDUCTION	TEPPANYAKI	DOWNDRAFT	GAS
	mm	mm	mm	mm
Ⓒ Height from top of module to top of oven	min 49	min 63	min 177	min 53
Ⓓ Overall height of 60cm oven and module	min 647	min 661	min 775	min 651
Ⓔ Overall height of 76cm oven and module	min 778	min 792	min 906	min 782
Ⓕ Distance from front of oven to front of module	min 30	min 30	min 30	min 30

OVEN CLEARANCE TO CABINERY

A minimum vertical clearance of 2mm is required between ovens to benchtops or cabinetry front panels. The clearance above an oven can contribute to ventilation requirements of cooktops (refer previous page).



DETAIL 1 - TOP OF OVEN



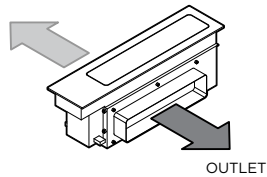
DETAIL 2 - BASE OF OVEN

The models shown in this Planning Guide may not be available in all markets and are subject to change at any time. Product specifications may vary from those shown. This Planning Guide should not be used as installation guidance for any product. Further information is required to safely and correctly install the products featured here. Specific installation guidance will be available with the product on delivery and on our website fisherpaykel.com

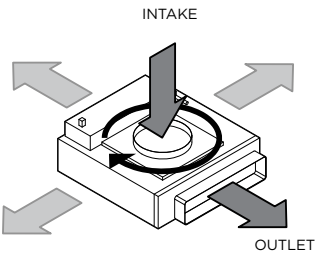
MODULAR VENTILATION

Modular Ventilation consists of two units, a mainbox positioned in the benchtop and a blower box positioned on the floor or subfloor. They are connected via ducting. Ducting details can be found on subsequent pages.

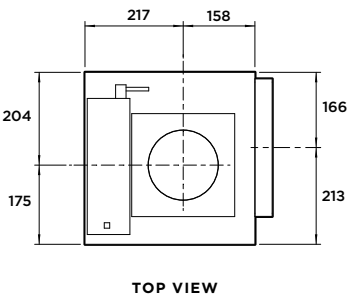
The direction of vent outlets on both units can be changed to suit product placement and cabinetry layout.



MAINBOX
The mainbox can vent to the left or right. The vent outlet can be secured to either side of the mainbox during installation.



BLOWERBOX
The blowerbox can be rotated 360° around the intake, allowing the vent outlet to be directed to suit.

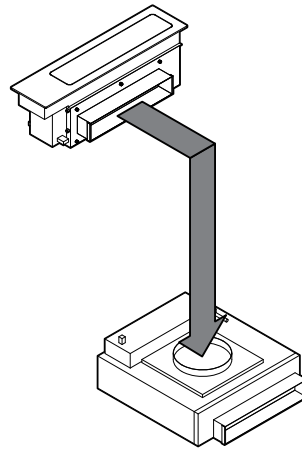


IMPORTANT

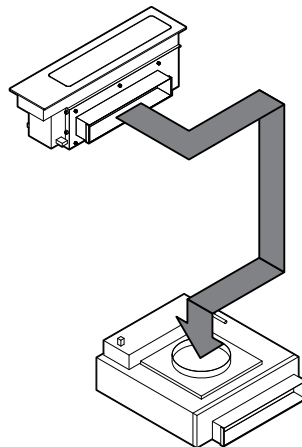
Blowerbox inlet and outlet are offset, component is not symmetrical (CD13DB1, CD13DG1 outlet shown, refer to datasheets for more detail). CARE TO BE TAKEN WHEN PLANNING.

DUCT ROUTING

Representational airflow showing indicative routing for ducting. The distance between the mainbox and blower box is restricted by the 1.7m length of the control cable connecting the two boxes. Refer to Services page for connection locations.



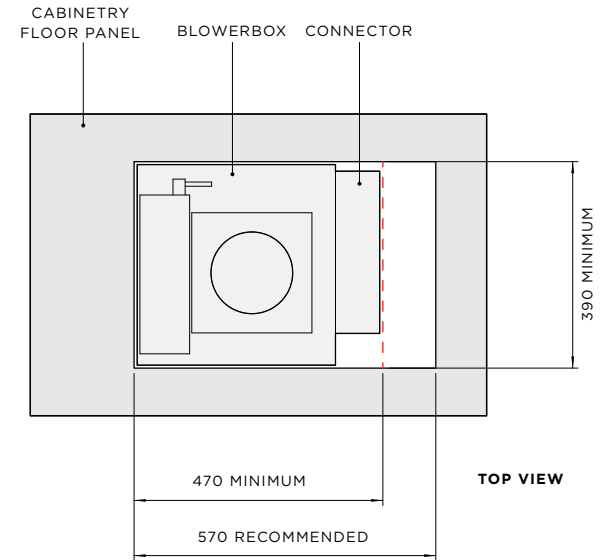
DIRECT
Minimal bends. Ducting routed within cabinet.



SERVICE CHANNEL
Ducting routed through service channel at rear of cabinet or behind cabinet.

BLOWERBOX CUTOUT

The Blowerbox requires a minimum cutout of 390mm x 470mm in base of cabinetry so it can be positioned on the floor. For ease of installation and connection to outlet ducting it is recommended that the cutout is increased to 390mm x 570mm.



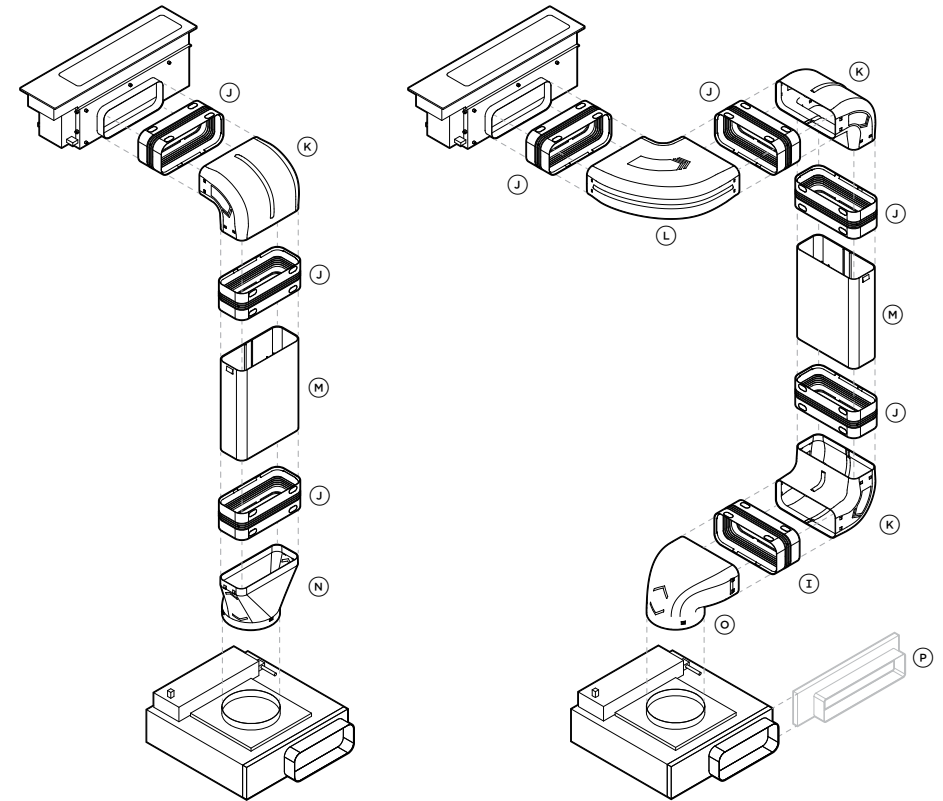
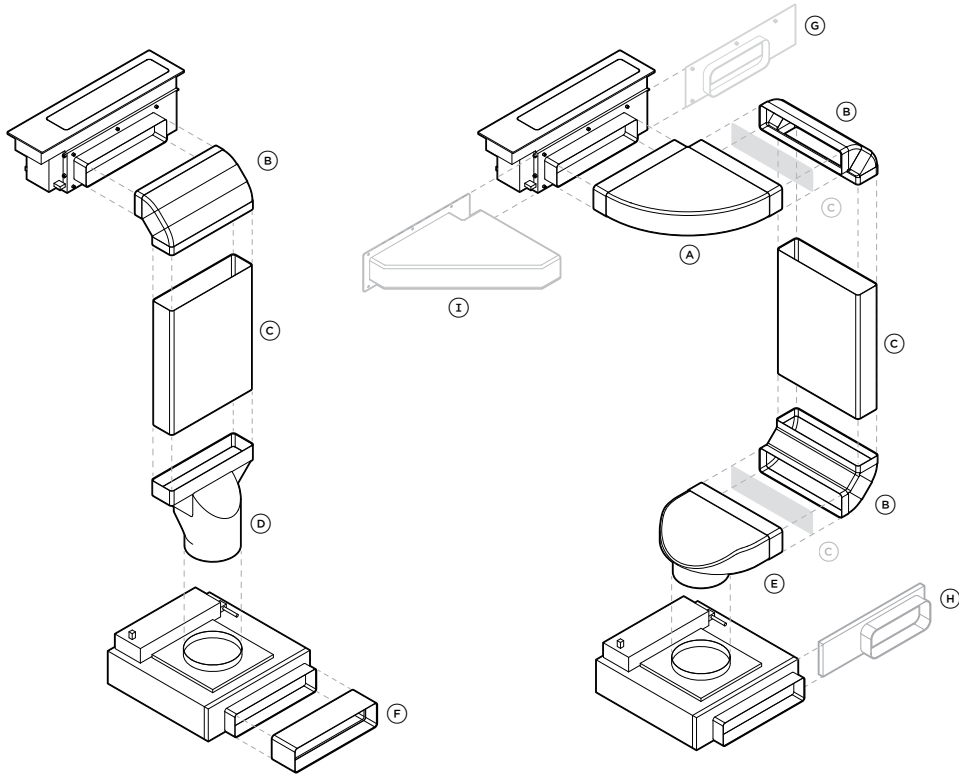
IMPORTANT

Depending on product placement and duct route blowerbox might not be central to cabinet floor panel. CARE TO BE TAKEN WHEN PLANNING. For design planning and installation support please contact the Fisher & Paykel design support team. designsupport@fisherpaykel.com

The models shown in this Planning Guide may not be available in all markets and are subject to change at any time. Product specifications may vary from those shown. This Planning Guide should not be used as installation guidance for any product. Further information is required to safely and correctly install the products featured here. Specific installation guidance will be available with the product on delivery and on our website fisherpaykel.com

CD13DB1 CD13DG1 MODULAR VENTILATION - 300 X 70 DUCTING

CD13DB2 CD13DG2 MODULAR VENTILATION - 222 X 89 DUCTING



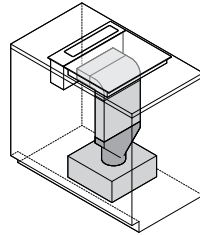
Ducting Component	Supplied	Model supplied with	Optional Accessory Part No.
(A) Horizontal Elbow, 90°, 300x70*	x1	CD13DB1, CD13DG1	E90H30X7
(B) Vertical Elbow, 90°, 300x70*	x2	CD13DB1, CD13DG1	E90V30X7
(C) Duct, 1m, 300x70mm*	x1	CD13DB1, CD13DG1	D100X30X7
(D) Duct Adaptor, 150mm Diameter, 300x70mm*	x1	CD13DB1, CD13DG1	DA30X7D15
(E) Duct Adaptor, 90°, 150mm Diameter, 300x70mm*	x1	CD13DB1, CD13DG1	DA90D30X7D15
(F) Connector, 300x70*	x1	CD13DB1, CD13DG1	C30X7
(G) Outlet Adaptor, Mainbox, 222x89mm			OAD222X89
(H) Outlet Adaptor, Blower, 222x89mm			OAB222X89
(I) Horizontal Elbow, 90°, 300x70mm, Steel			E90H30X7S

Ducting Component	Supplied	Model supplied with	Optional Accessory Part No.
(J) Duct Joiner Flexi 222x89*	x5	CD13DB2, CD13DG2	C222X89
(K) Duct 90 Bend Vertical 222x89*	x2	CD13DB2, CD13DG2	E90V222X89
(L) Duct 90 Bend Horizontal 222x89*	x1	CD13DB2, CD13DG2	E90H222X89
(M) Duct Straight Length 222x89*	x1	CD13DB2, CD13DG2	D1000X222X89
(N) Duct Adaptor 150 To 222x89*	x1	CD13DB2, CD13DG2	DA222X89D150
(O) Duct Adaptor 90 150 To 222x89*	x1	CD13DB2, CD13DG2	DA90D222X89D150
(P) Outlet Adaptor, Blower, 300x70mm			OAB300X70

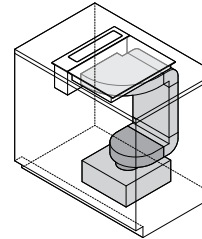
* Component also available as an optional accessory

The models shown in this Planning Guide may not be available in all markets and are subject to change at any time. Product specifications may vary from those shown. This Planning Guide should not be used as installation guidance for any product. Further information is required to safely and correctly install the products featured here. Specific installation guidance will be available with the product on delivery and on our website fisherpaykel.com

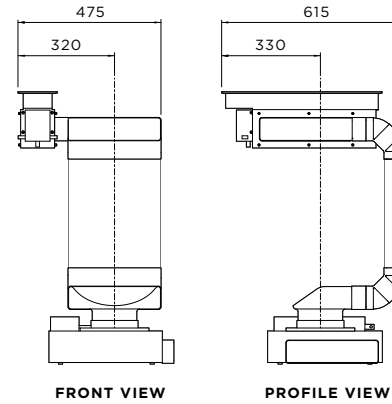
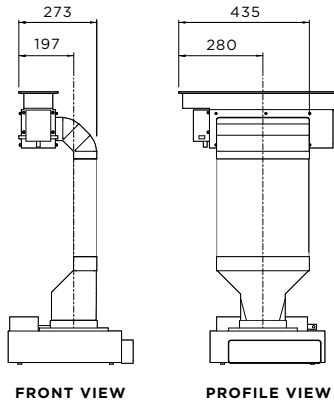
DIRECT DUCTING WITHIN CABINET



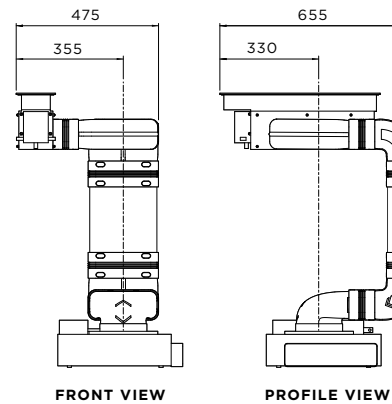
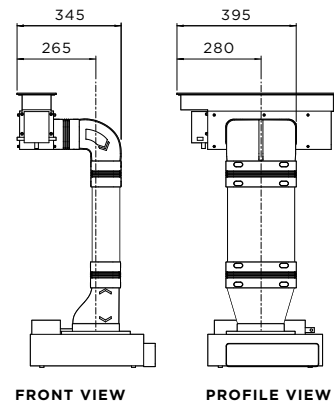
DUCTING THROUGH SERVICE CHANNEL



300x70 DUCTING
CD13DB1 CD13DG1



222x89 DUCTING
CD13DB2 CD13DG2



DUCTING OVERVIEW

These are representational illustrations of modular ventilation with ducting. Overall dimensions are included. **Other ducting layouts are possible.**

Cabinetry may need to be adapted with features such as cutouts, false panels, shelf and drawer modifications to accommodate ducting.

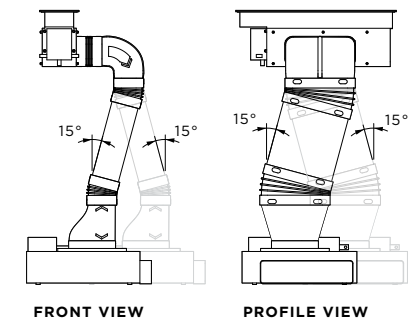
DUCTING LENGTH

The distance between the mainbox and blower box is restricted by the 1.7m length of the control cable connecting the two boxes. Refer to Services page for connection locations.

IMPORTANT

It is essential to work with CAD downloads of Modular Ventilation components to design a ducting layout best suited to specific cabinetry requirements. For design planning and installation support please contact the Fisher & Paykel design support team. designsupport@fisherpaykel.com

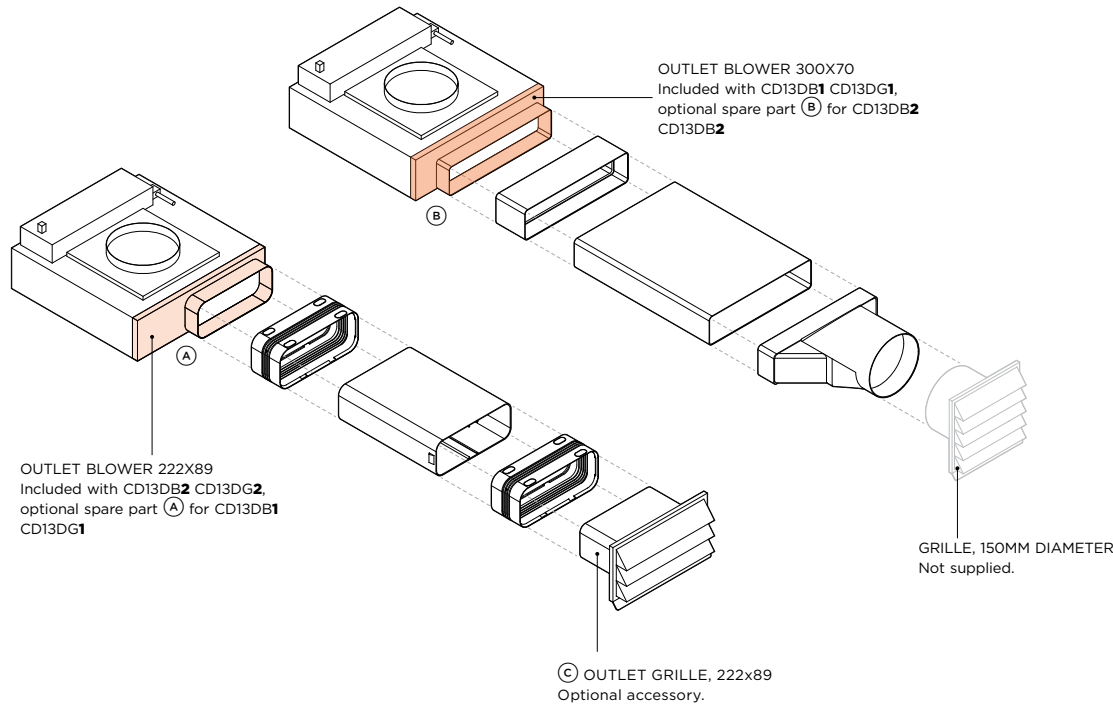
DUCT JOINER FLEXI 222X89*
Joiners allow up to 15° of movement



The models shown in this Planning Guide may not be available in all markets and are subject to change at any time. Product specifications may vary from those shown. This Planning Guide should not be used as installation guidance for any product. Further information is required to safely and correctly install the products featured here. Specific installation guidance will be available with the product on delivery and on our website fisherpaykel.com

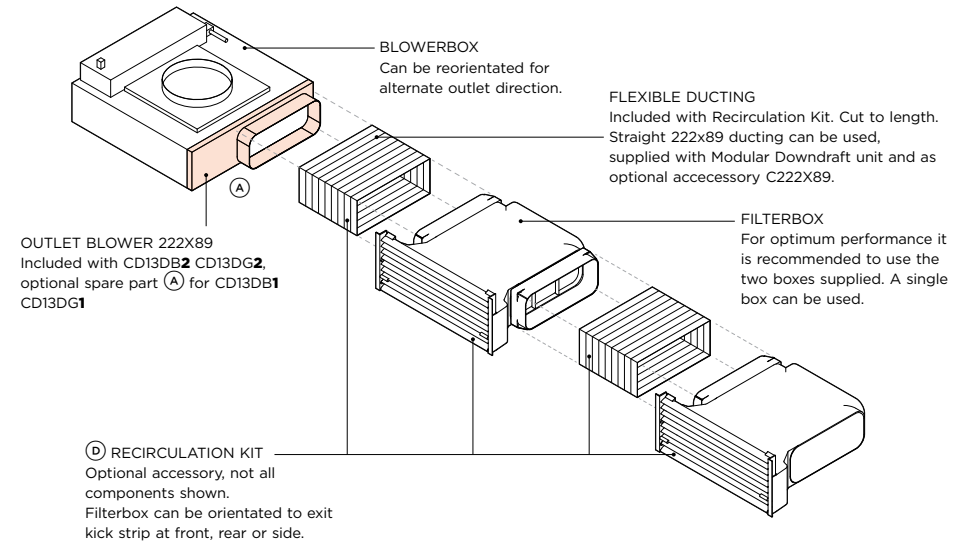
DUCT OUT

OVERVIEW WITH DUCTING COMPONENTS



RECIRCULATED

OVERVIEW WITH RECIRCULATION KIT



Optional Accessory	Part Number
(A) Outlet Adaptor, Blower, 222x89mm	OAB222X89
(B) Outlet Grille, 222x89mm	DO-G-SS
(C) Recirculation Kit	KRCID834

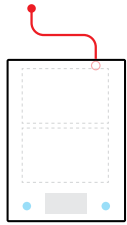
CRITICAL NOTE

Indicative layouts, other configurations are possible. It is essential to work with CAD downloads of modular ventilation components to design a ducting layout best suited to specific cabinetry requirements.
For design planning and installation support please contact the Fisher & Paykel design support team.
designsupport@fisherpaykel.com

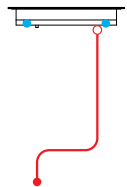
RECIRCULATION KIT

The filter boxes of the Recirculation Kit fit within the toe kick cavity of cabinets. The vents need to be positioned to allow venting of recirculated air into the room. The vents can be positioned in the kick strip, at ends of cabinets or the rear of an island bench. Air must not be recirculated within the cabinetry. For additional layout options and installation details refer to the Installation guide.

The models shown in this Planning Guide may not be available in all markets and are subject to change at any time. Product specifications may vary from those shown. This Planning Guide should not be used as installation guidance for any product. Further information is required to safely and correctly install the products featured here. Specific installation guidance will be available with the product on delivery and on our website fisherpaykel.com



TOP VIEW



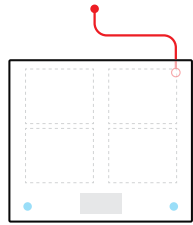
FRONT VIEW

— POWER CABLE
● COMMUNICATION PORT

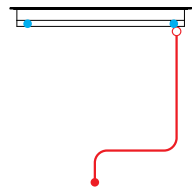
**PRIMARY MODULAR INDUCTION COOKTOP, 39CM,
2 ZONES WITH SMARTZONE**

Model no:
CI392DTTB1 Black
CI392DTTG1 Grey

Dimensions	mm
Power Cable	1700



TOP VIEW

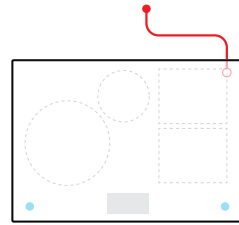


FRONT VIEW

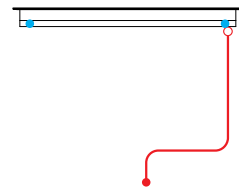
**PRIMARY MODULAR INDUCTION COOKTOP, 60CM,
4 ZONES WITH SMARTZONE**

Model no:
CI392DTTB1 Black
CI392DTTG1 Grey

Dimensions	mm
Power Cable	not supplied



TOP VIEW

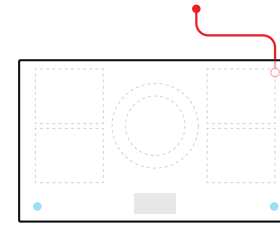


FRONT VIEW

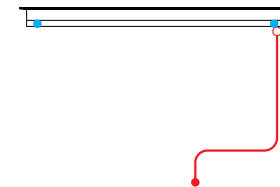
**PRIMARY MODULAR INDUCTION COOKTOP, 76CM,
4 ZONES WITH SMARTZONE**

Model no:
CI392DTTB1 Black
CI392DTTG1 Grey

Dimensions	mm
Power Cable	not supplied



TOP VIEW

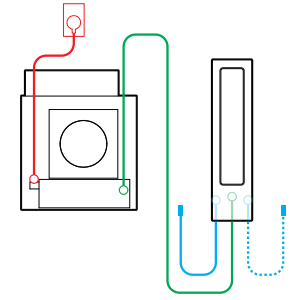


FRONT VIEW

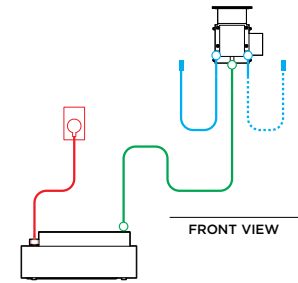
**PRIMARY MODULAR INDUCTION COOKTOP, 90CM,
5 ZONES WITH SMARTZONE**

Model no:
CI392DTTB1 Black
CI392DTTG1 Grey

Dimensions	mm
Power Cable	not supplied



TOP VIEW



FRONT VIEW

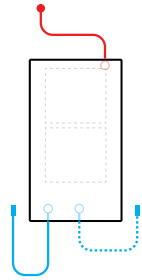
AUXILIARY MODULAR VENTILATION, 13CM

Model no:
CD13DB1 Black
CD13DG1 Grey

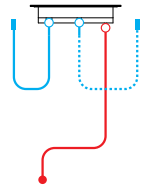
Dimensions	mm
External Communication Harness*	500
Central Communication Harness*	1700
Power Cable	3000

* x1 supplied with each auxiliary unit

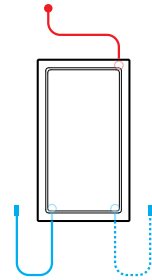
The models shown in this Planning Guide may not be available in all markets and are subject to change at any time. Product specifications may vary from those shown. This Planning Guide should not be used as installation guidance for any product. Further information is required to safely and correctly install the products featured here. Specific installation guidance will be available with the product on delivery and on our website fisherpaykel.com



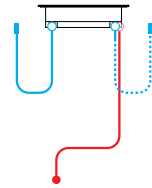
TOP VIEW



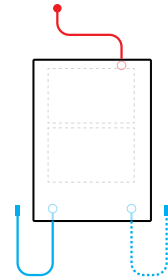
FRONT VIEW



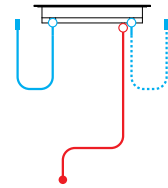
TOP VIEW



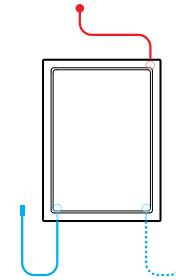
FRONT VIEW



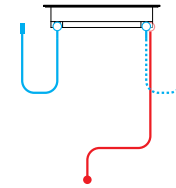
TOP VIEW



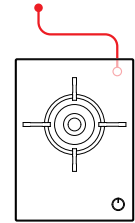
FRONT VIEW



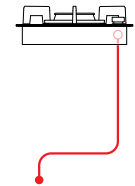
TOP VIEW



FRONT VIEW



TOP VIEW



FRONT VIEW

- EXTERNAL COMMUNICATION HARNESS
- CENTRAL COMMUNICATION HARNESS
- POWER CABLE

AUXILIARY MODULAR INDUCTION COOKTOP, 30CM, 2 ZONES WITH SMARTZONE

Model no:
CI302DB1 Black
CI302DG1 Grey

Dimensions	mm
External Communication Harness*	500
Power Cable*	1700

* x1 supplied with each auxiliary unit

AUXILIARY MODULAR TEPPANYAKI COOKTOP, 30CM, 2 ZONES

Model no:
CIT302DX1

Dimensions	mm
External Communication Harness*	500
Power Cable*	1700

* x1 supplied with each auxiliary unit

AUXILIARY MODULAR INDUCTION COOKTOP, 39CM, 2 ZONES WITH SMARTZONE

Model no:
CI392DB1 Black
CI392DG1 Grey

Dimensions	mm
External Communication Harness*	500
Power Cable*	1700

* x1 supplied with each auxiliary unit

AUXILIARY MODULAR TEPPANYAKI COOKTOP, 39CM, 2 ZONES

Model no:
CI392DX1

Dimensions	mm
External Communication Harness*	500
Power Cable*	1700

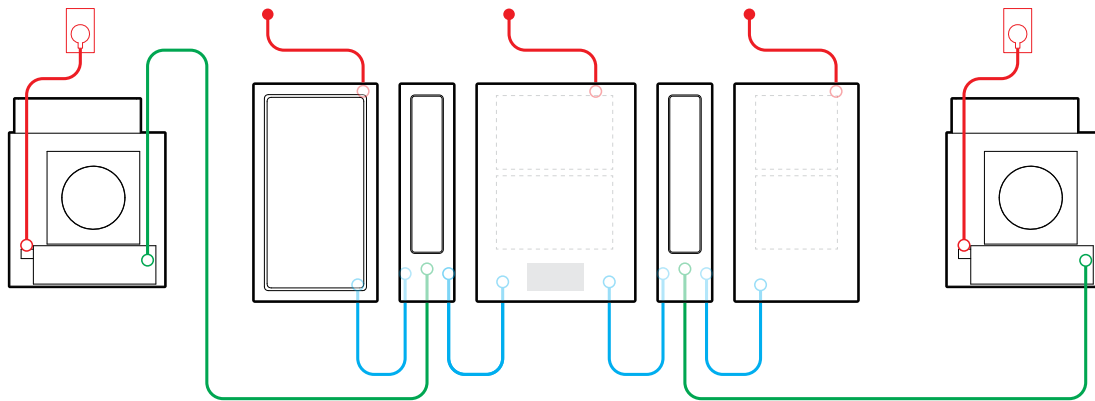
* x1 supplied with each auxiliary unit

GAS ON GLASS MODULAR COOKTOP, 39CM

Model no:
CG391DLPGB5 LPG, Black
CG391DTGGB5 Town Gas, Black
CG391DLPGG5 LPG, Grey
CG391DTGGG5 Town Gas, Grey

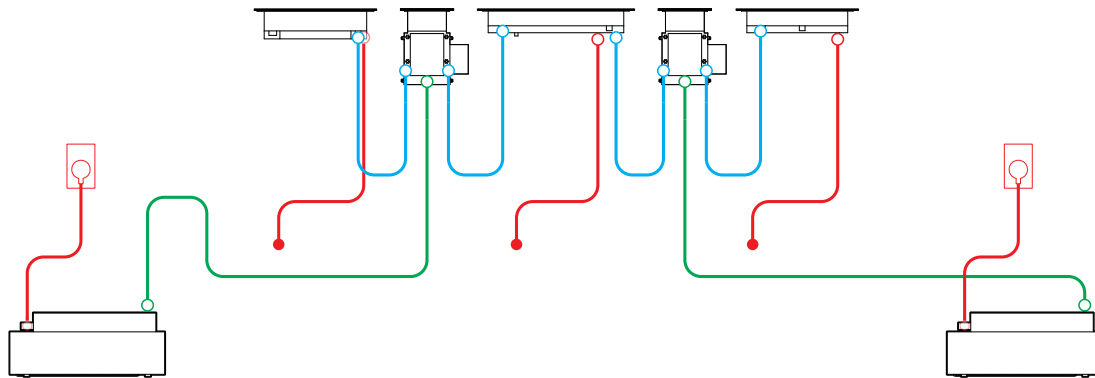
Dimensions	mm
Power Cable	1380

The models shown in this Planning Guide may not be available in all markets and are subject to change at any time. Product specifications may vary from those shown. This Planning Guide should not be used as installation guidance for any product. Further information is required to safely and correctly install the products featured here. Specific installation guidance will be available with the product on delivery and on our website fisherpaykel.com

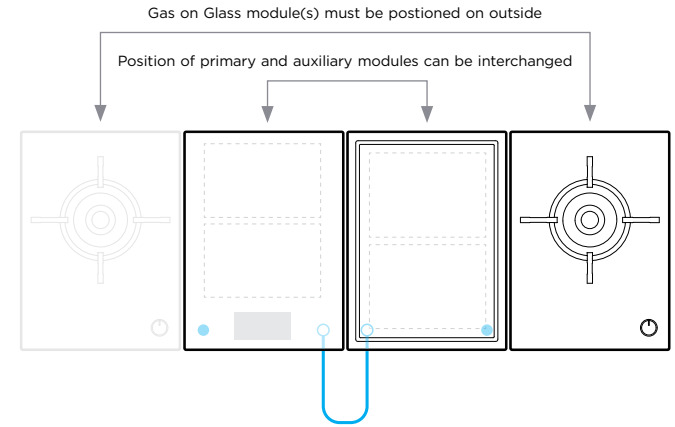


TOP VIEW

- EXTERNAL COMMUNICATION HARNESS
- CENTRAL COMMUNICATION HARNESS
- POWER CABLE



FRONT VIEW



TOP VIEW

SUPPLIED HARNESS

External communication harnesses connect auxiliary modules to the primary module.

These connections must be to the product directly adjacent in a 'daisy chain' configuration (refer diagram). Gas on glass modules do not require a communication harness and must not be placed between primary and auxiliary modules.

1x External communication harness is supplied with each auxiliary module (induction, teppanyaki and downdraft ventilation).

1x Central communication harness is supplied with auxiliary modular ventilation to connect downdraft mainbox with blowerbox.

ELECTRICAL SERVICE FOR MULTIPLE PRODUCT INSTALLS

Where multiple products are being installed together, it is possible to use a smaller local distribution board, rather than running multiple separate lines. For example, 2 x 15A modules can be connected via a single 30A breaker.

This cooktop must be connected to the mains power supply only by a suitably qualified person.

The models shown in this Planning Guide may not be available in all markets and are subject to change at any time. Product specifications may vary from those shown. This Planning Guide should not be used as installation guidance for any product. Further information is required to safely and correctly install the products featured here. Specific installation guidance will be available with the product on delivery and on our website fisherpaykel.com

