

REFRIGERATOR FREEZER

---

# PLANNING GUIDE

---

**627L SERIES 7 QUAD DOOR REFRIGERATOR FREEZER**

RF620QNPVX1 | RF620QNPVB1 | RF620QZPVG1

# CONTENTS

## INTRODUCTION

This comprehensive planning guide provides you with the framework and tools to achieve your desired design outcome with Fisher & Paykel appliances. In this guide, you will find a range of conceptual, detailed, and dimensional product information to bring your ideas to life and create spaces that truly reflect your vision.

## SUPPORT

For additional design planning and installation support please contact the Fisher & Paykel design support team. [designsupport@fisherpaykel.com](mailto:designsupport@fisherpaykel.com)

## NOTES

The models shown in this Planning Guide may not be available in all markets and are subject to change at any time. Refer to to our website [fisherpaykel.com](http://fisherpaykel.com) for the latest document version. Product specifications may vary from those shown. This Planning Guide should not be used as installation guidance for any product. Specific installation guidance will be available with the product on delivery and on our website.

CONCEPT DESIGN	PAGE
----------------	------

<b>SPECIFICATION GUIDE</b>	
RF620QNPVX1, RF620QNPVB1, RF620QZPVG1	<b>4</b>
Design Choices	<b>5</b>

DEVELOPED AND DETAILED DESIGN	PAGE
-------------------------------	------

<b>DATA SHEETS</b>	
RF620QNPVX1, RF620QNPVB1	<b>7</b>
RF620QZPVG1	<b>8</b>
 <b>DESIGN PLANNING</b>	
Cavity Specifications	<b>10</b>
Cavity Clearances	<b>11</b>
Venting Specifications	<b>12</b>

DEVELOPED AND DETAILED DESIGN	PAGE
-------------------------------	------

<b>SERVICES</b>	
Service Specifications	<b>14</b>

## SPECIFICATION GUIDE



RF620QZPVG1



RF620QNPVX1

**OVERVIEW**

Designed to complement our Contemporary or Minimal style appliances, this Quad Door Refrigerator Freezer with Through Door Ice & Water is available in Stainless Steel, Black Stainless Steel or Grey Glass. With three independantly controlled compartments - Fridge, Freezer and Variable Temperature Zone - in a single foot print.

**FEATURES**

- 1 Available in Stainless Steel, Black Stainless Steel, or Grey Glass, to match our Contemporary or Minimal style of appliances
- 2 Recessed handles and balanced proportions create clean lines with adjacent cabinetry, with advanced technology integrated within to maintain a clean front and a cohesive, streamlined aesthetic
- 3 User interface is intuitive to use and discreetly placed inside
- 4 Autofill Pitchers inside the door provide a total of 2.6L capacity, ideal for taking to the table or filling bottles
- 5 Two independent automatic ice makers in the freezer produce Cube and Pebble ice
- 6 Variable Temperature Zone with Fridge, Chill, Soft Freeze, and Gentle Freeze modes
- 7 Humidity control bins keep produce fresher for longer
- 8 Connect with Wi-Fi and the SmartHQ™ app to receive notifications and guides

**PRODUCTS**

**RF620QNPVX1 - Stainless Steel**

627L Series 7 Quad Door Refrigerator Freezer Autofill Pitchers, Dual Ice Makers

**RF620QNPVB1 - Black Stainless Steel**

627L Series 7 Quad Door Refrigerator Freezer Autofill Pitchers, Dual Ice Makers

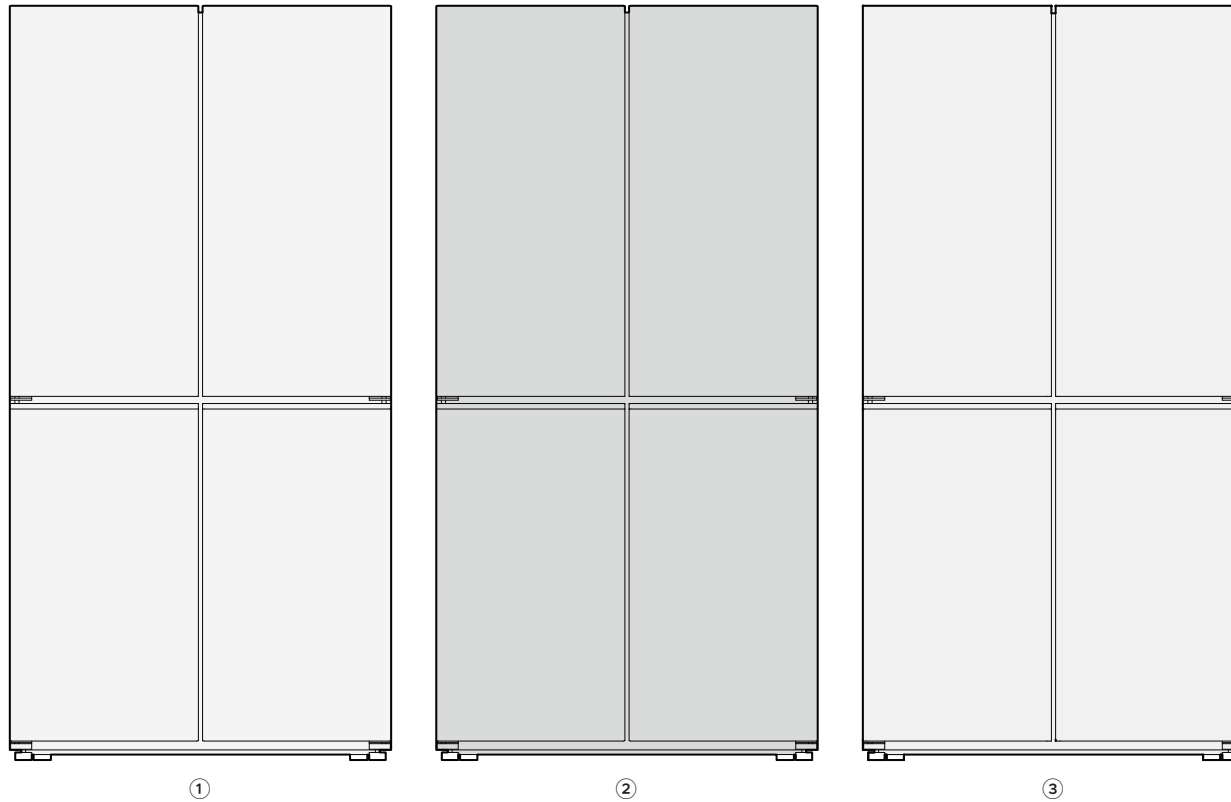
**RF620QZPVG1 - Grey Glass**

627L Series 7 Quad Door Refrigerator Freezer Autofill Pitchers, Dual Ice Makers

**SERIES & STYLE**

Series 7  
Contemporary and Minimal

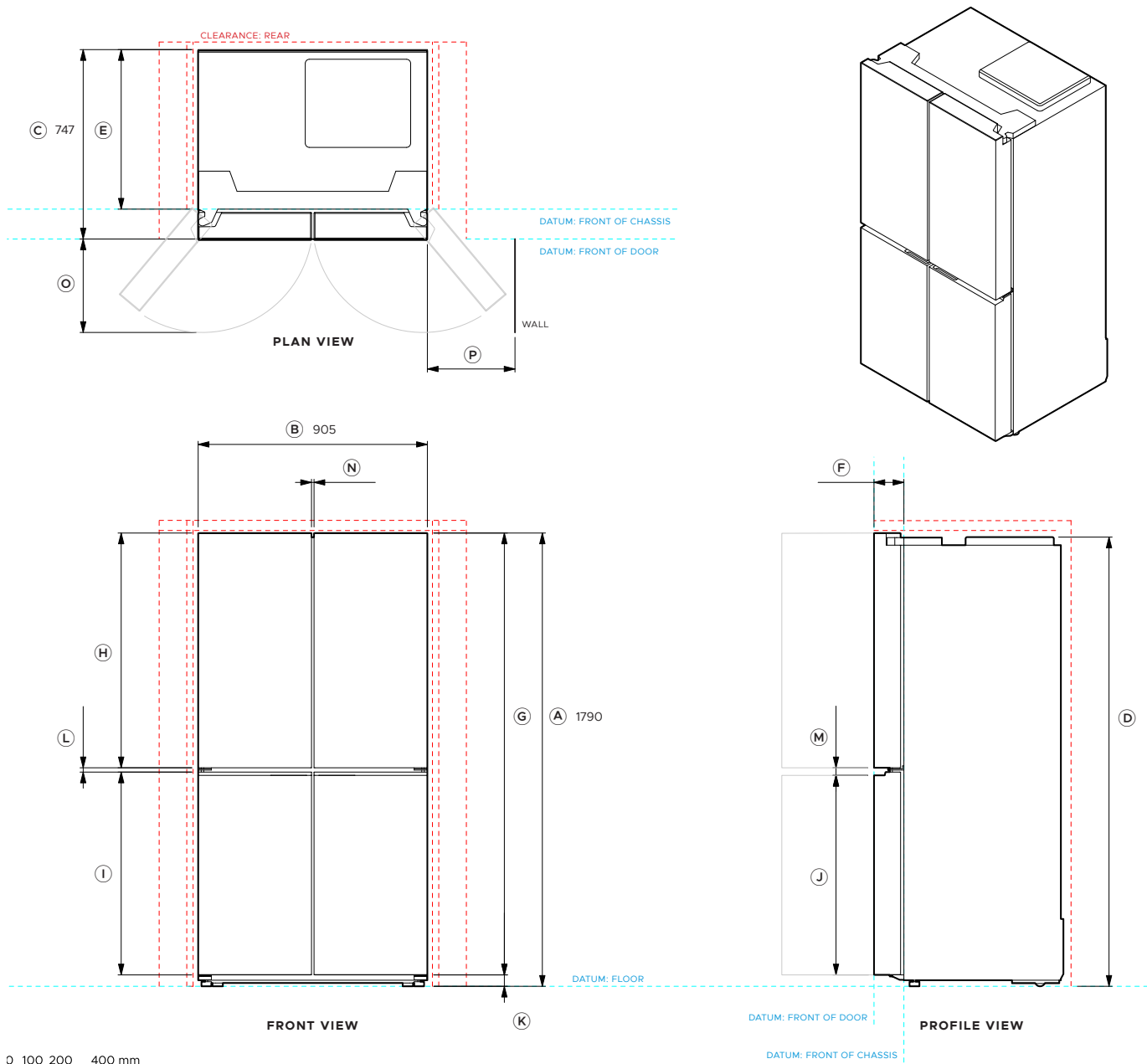
The models shown in this Planning Guide may not be available in all markets and are subject to change at any time. Product specifications may vary from those shown. This Planning Guide should not be used as installation guidance for any product. Further information is required to safely and correctly install the products featured here. Specific installation guidance will be available with the product on delivery and on our website [fisherpaykel.com](https://fisherpaykel.com)



Model		Finish
1 RF620QNPVX1	627L Series 7 Quad Door Refrigerator Freezer Autofill Pitchers, Dual Ice Makers	Stainless steel
2 RF620QNPVB1	627L Series 7 Quad Door Refrigerator Freezer Autofill Pitchers, Dual Ice Makers	Black stainless steel
3 RF620QZPVG1	627L Series 7 Quad Door Refrigerator Freezer Autofill Pitchers, Dual Ice Makers	Grey Glass

The models shown in this Planning Guide may not be available in all markets and are subject to change at any time. Product specifications may vary from those shown. This Planning Guide should not be used as installation guidance for any product. Further information is required to safely and correctly install the products featured here. Specific installation guidance will be available with the product on delivery and on our website [fisherpaykel.com](http://fisherpaykel.com)

## DATA SHEETS



**Model no:**  
**RF620QNPVX1** Quad Door Refrigerator  
**RF620QNPVB1** Quad Door Refrigerator

Product Dimensions		mm
<b>A</b>	Overall product height	1790
<b>B</b>	Overall product width	905
<b>C</b>	Overall product depth	747
<b>D</b>	Chassis height	1774
<b>E</b>	Chassis depth	630
<b>F</b>	Door depth including gasket	117
<b>G</b>	Combined door height	1745
<b>H</b>	Upper door height	927
<b>I</b>	Overall lower door height	801
<b>J</b>	Visual lower door height	788
<b>K</b>	Lower door to floor height	45
<b>L</b>	Height between upper and lower doors	17
<b>M</b>	Visual height between upper and lower doors	31
<b>N</b>	Width between left and right doors	10
<b>O</b>	Door swing projection depth (from door front)	364

Minimum Clearances		mm
Cavity height - vented*		min 1800
Cavity height - unvented		min 1840
Rear clearance		min 30
Side clearance**		min 20
<b>P</b>	Wall clearance for door swing (from product side)	min 346

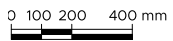
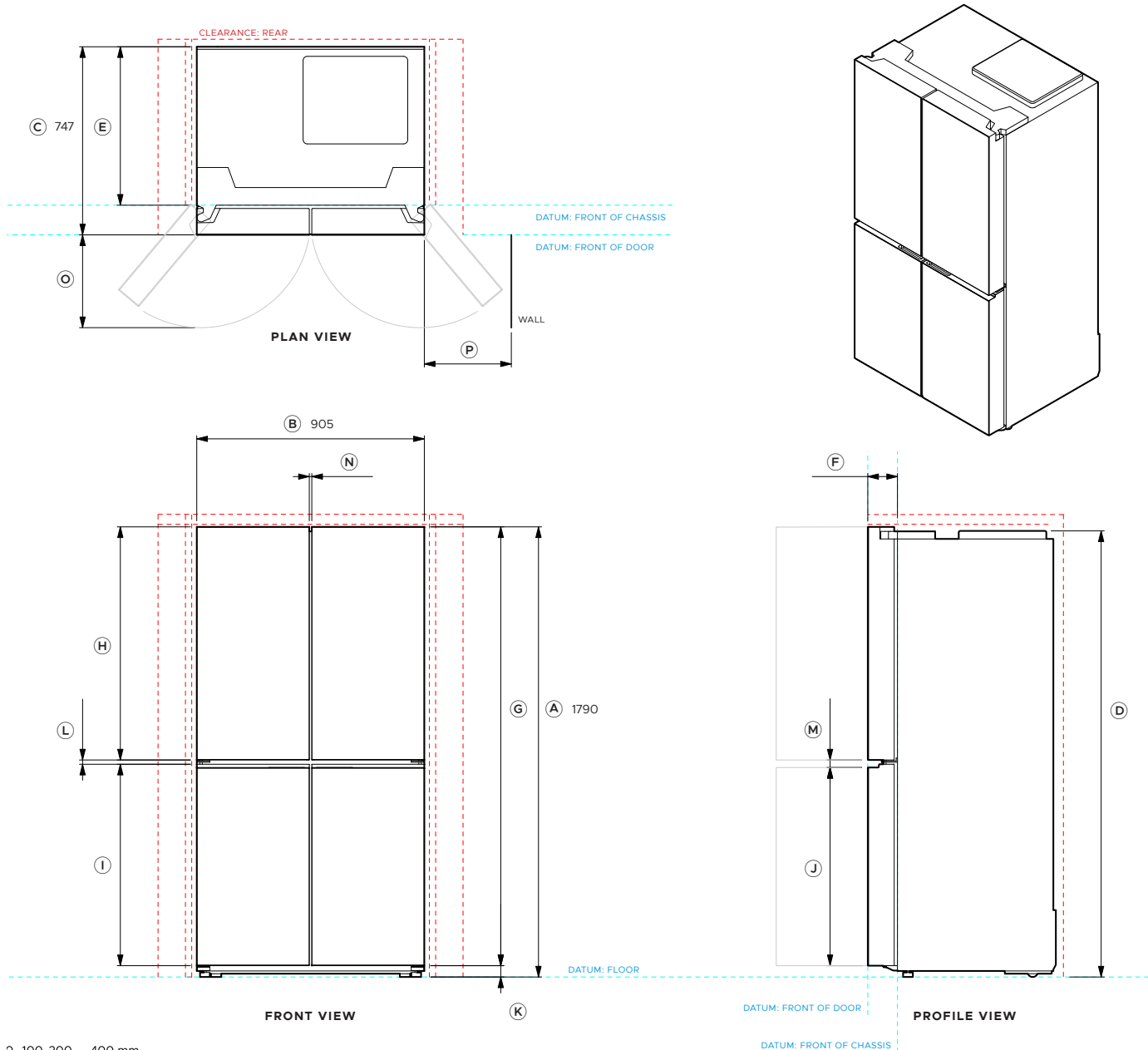
\*Requires a 50mm ventilation clearance extending the full width of the cavity at the upper rear.  
 \*\*Requires 20mm of chassis to be visible to allow doors to open without interference.

Installation Scenario	Cavity Width	Cavity Depth	Side Clearance
Flush with chassis***	min 995	min 660	min 45
Flush with door***	min 1213	min 778	min 154

\*\*\*Increased side clearance required to allow doors to open without interference.

----- INDICATES CABINETRY / PRODUCT DATUM  
 - - - - - INDICATES CABINETRY CLEARANCE

IMPORTANT: Dimensions in this guide may vary by ±2mm (1/16"). Refer to the installation manual for detailed installation requirements. For full installation instructions & specifications visit [fisherpaykel.com](http://fisherpaykel.com)



**Model no:**  
**RF620QZPVG1** Quad Door Refrigerator

Product Dimensions		mm
A	Overall product height	1790
B	Overall product width	905
C	Overall product depth	747
D	Chassis height	1774
E	Chassis depth	630
F	Door depth including gasket	117
G	Combined door height	1745
H	Upper door height	927
I	Overall lower door height	801
J	Visual lower door height	788
K	Lower door to floor height	45
L	Height between upper and lower doors	17
M	Visual height between upper and lower doors	30
N	Width between left and right doors	10
O	Door swing projection depth (from door front)	364

Minimum Clearances		mm
Cavity height - vented*		min 1800
Cavity height - unvented		min 1840
Rear clearance		min 30
Side clearance**		min 20
P	Wall clearance for door swing (from product side)	min 346

\*Requires a 50mm ventilation clearance extending the full width of the cavity at the upper rear.  
\*\*Requires 20mm of chassis to be visible to allow doors to open without interference.

Installation Scenario	Cavity Width	Cavity Depth	Side Clearance
Flush with chassis***	min 995	min 660	min 45
Flush with door***	min 1213	min 778	min 154

\*\*\*Increased side clearance required to allow doors to open without interference.

----- INDICATES CABINETRY / PRODUCT DATUM  
- - - - - INDICATES CABINETRY CLEARANCE

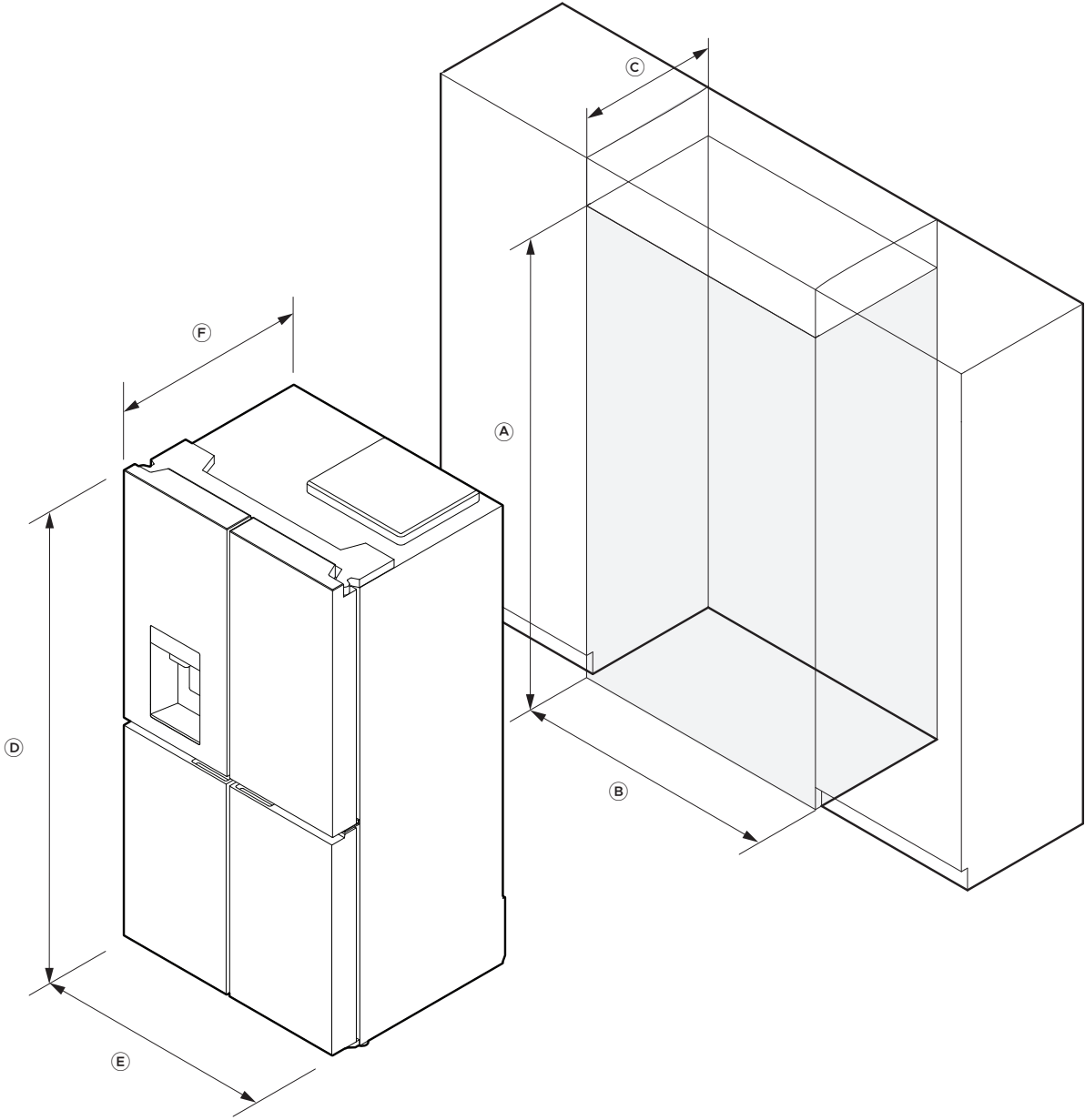
IMPORTANT: Dimensions in this guide may vary by ±2mm (1/16"). Refer to the installation manual for detailed installation requirements. For full installation instructions & specifications visit [fisherpaykel.com](http://fisherpaykel.com)

## DESIGN PLANNING

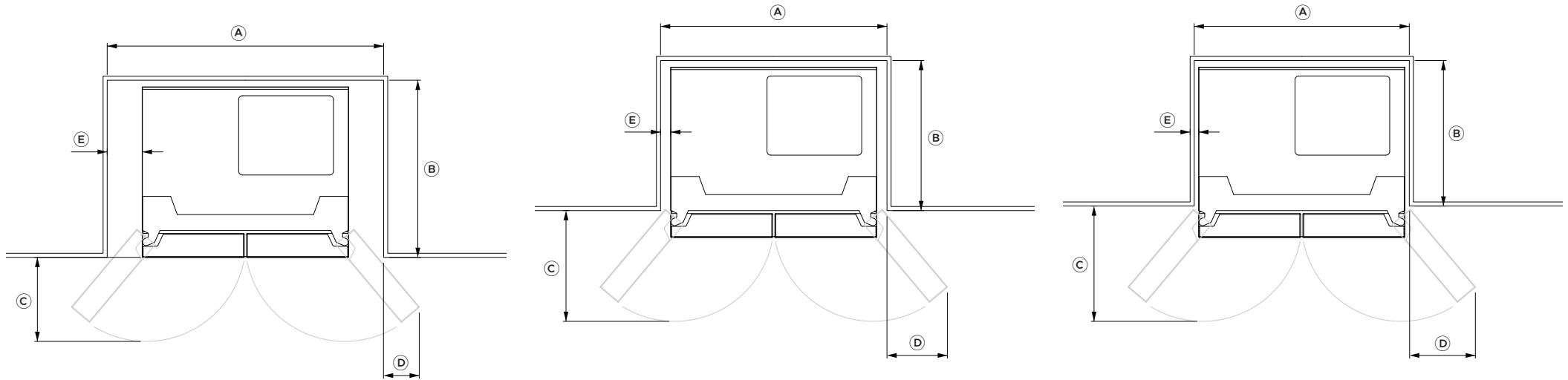
CAVITY SPECIFICATIONS

Dimensions		mm
<b>A</b>	Cavity height - vented cavity	min 1800
	Cavity height - unvented cavity	min 1840
<b>B</b>	Cavity width	
	Flush to door	min 1213
	Flush to chassis	min 995
	Minimum clearance	min 945
<b>C</b>	Cavity depth	
	Flush to door	min 778
	Flush to chassis	min 660
	Minimum clearance*	min 640
<b>D</b>	Product height	1790
<b>E</b>	Product width	905
<b>F</b>	Product depth	747

\*Chassis 20mm proud of cavity



The models shown in this Planning Guide may not be available in all markets and are subject to change at any time. Product specifications may vary from those shown. This Planning Guide should not be used as installation guidance for any product. Further information is required to safely and correctly install the products featured here. Specific installation guidance will be available with the product on delivery and on our website fisherpaykel.com



**FLUSH WITH DOOR**

Dimensions	mm
<b>A</b> Cavity width	min 121
<b>B</b> Cavity depth	min 778
<b>C</b> Door front clearance (from cavity front)	364
<b>D</b> Door side clearance (from cavity side)	192
<b>E</b> Side clearance	154

**FLUSH WITH CHASSIS**

Dimensions	mm
<b>A</b> Cavity width	min 995
<b>B</b> Cavity depth	min 660
<b>C</b> Door front clearance (from cavity front)	472
<b>D</b> Door side clearance (from cavity side)	301
<b>E</b> Side clearance	154

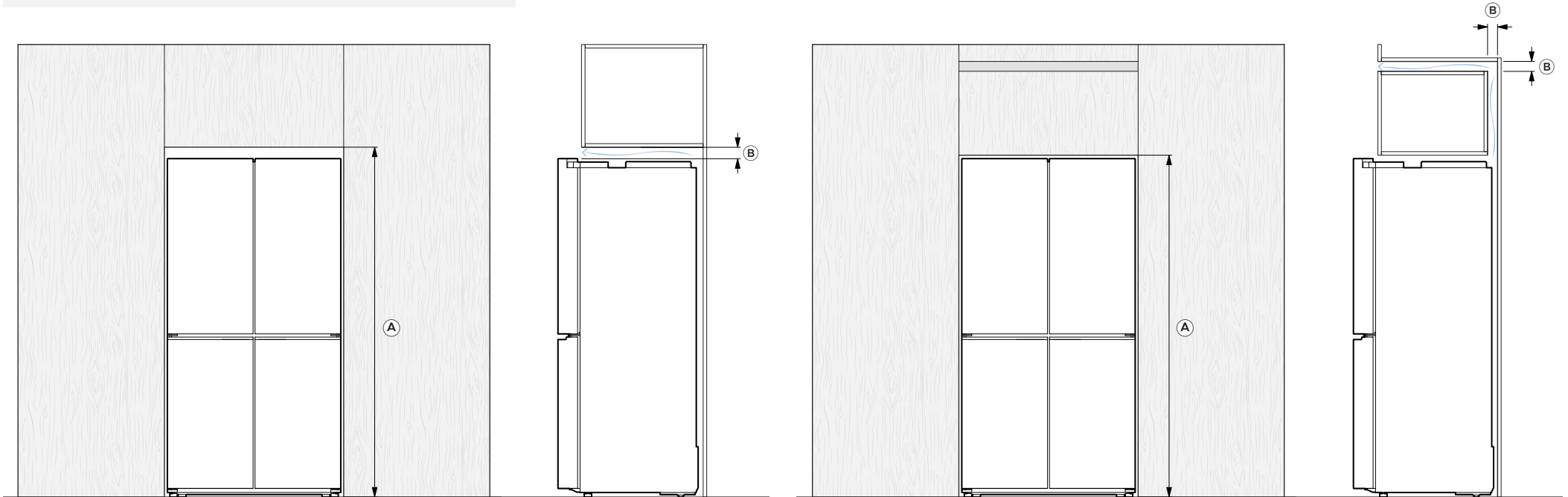
**PROUD CHASSIS**

Dimensions	mm
<b>A</b> Cavity width	min 945
<b>B</b> Cavity depth	min 640
<b>C</b> Door front clearance (from cavity front)	492
<b>D</b> Door side clearance (from cavity side)	326
<b>E</b> Side clearance	154

The models shown in this Planning Guide may not be available in all markets and are subject to change at any time. Product specifications may vary from those shown. This Planning Guide should not be used as installation guidance for any product. Further information is required to safely and correctly install the products featured here. Specific installation guidance will be available with the product on delivery and on our website [fisherpaykel.com](http://fisherpaykel.com)

**VENTING**

Provide cavity venting to ensure proper product performance.



**VENTING ABOVE REFRIGERATOR FREEZER**

Dimensions	mm
<b>A</b> Cavity height	min 1840
<b>B</b> Vent - full cavity width	min 50

\*Equivalent venting area 473cm<sup>2</sup>

**VENTING ABOVE CABINET**

Dimensions	mm
<b>A</b> Cavity height	min 1800
<b>B</b> Vent - full cavity width	min 50

\*Equivalent venting area 473cm<sup>2</sup>

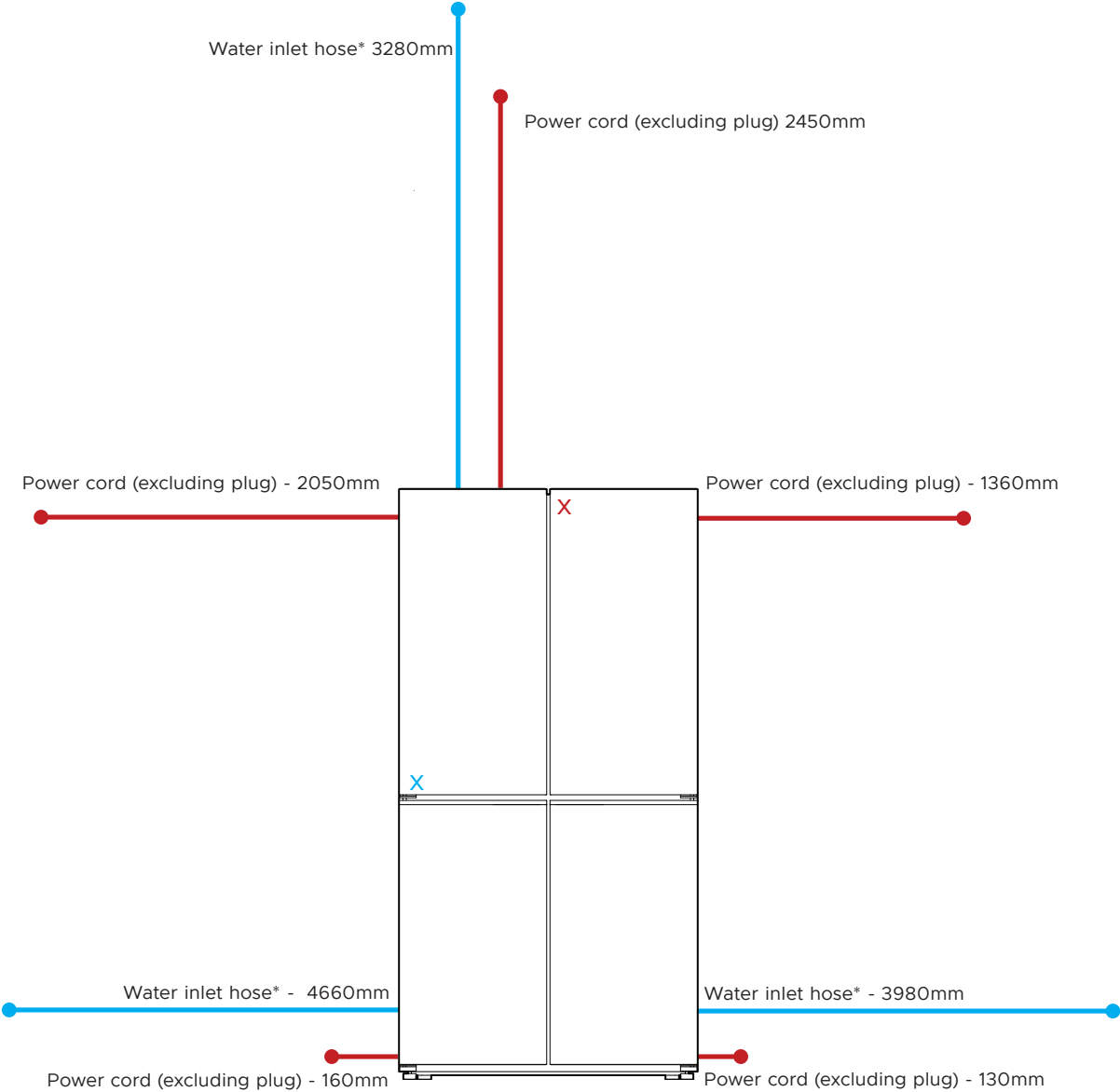
The models shown in this Planning Guide may not be available in all markets and are subject to change at any time. Product specifications may vary from those shown. This Planning Guide should not be used as installation guidance for any product. Further information is required to safely and correctly install the products featured here. Specific installation guidance will be available with the product on delivery and on our website [fisherpaykel.com](http://fisherpaykel.com)

## SERVICES

Electrical / Plumbing Specifications	
<b>RF620QNPVX1</b>	Quad Door Refrigerator
<b>RF620QNPVB1</b>	Quad Door Refrigerator
<b>RF620QZPVG1</b>	Quad Door Refrigerator
Specifications	
Electrical	
Supply	220V - 240V, 50Hz
Service	10 A circuit
Plumbing	
Water Supply	1/4" LLDPE piping
Pressure	Min 276 kPa (40 psi) Max 827 kPa (120 psi) @ (20°C)

\*Connections may be located in an adjacent cabinet to either side of the fridge or above the fridge cavity

\*\*Water and electrical connections must not protrude from the wall if located behind the refrigerator, and must allow for an 80mm bend radius for the water hose



The models shown in this Planning Guide may not be available in all markets and are subject to change at any time. Product specifications may vary from those shown. This Planning Guide should not be used as installation guidance for any product. Further information is required to safely and correctly install the products featured here. Specific installation guidance will be available with the product on delivery and on our website [fisherpaykel.com](http://fisherpaykel.com)

