

INTEGRATED TALL SINGLE DISHDRAWER™

---

# PLANNING GUIDE

---

SERIES 9 | DD24STI9 | DD24SHTI9 | DD24SI9

**INTRODUCTION**

This comprehensive planning guide provides you with the framework and tools to achieve your desired design outcome with Fisher & Paykel appliances. In this guide, you will find a range of conceptual, detailed, and dimensional product information to bring your ideas to life and create spaces that truly reflect your vision.

**SUPPORT**

For additional design planning and installation support please contact the Fisher & Paykel design support team.  
**designsupport@fisherpaykel.com**

**NOTES**

The models shown in this Planning Guide may not be available in all markets and are subject to change at any time. Refer to our website fisherpaykel.com for the latest document version. Product specifications may vary from those shown. This Planning Guide should not be used as installation guidance for any product. Specific installation guidance will be available with the product on delivery and on our website.

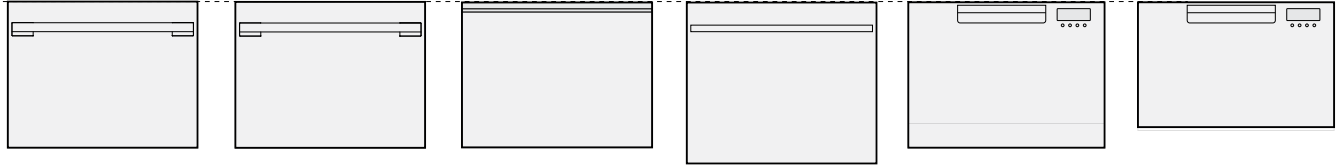
**CONTENTS**

CONCEPT DESIGN		PAGE	DEVELOPED AND DETAILED DESIGN		PAGE	DEVELOPED AND DETAILED DESIGN		PAGE
<b>Design choices</b>		<b>3</b>	<b>Data sheets</b>		<b>7</b>	<b>Custom door panel preparation</b>		<b>23</b>
Single drawer		<b>4</b>	DD24STI9, DD24SHTI9 Custom panel		<b>8</b>	DD24STI9, DD24SHTI9		<b>24</b>
			DD24STI9, DD24SHTI9 Stainless steel panel		<b>9</b>	DD24SI9		<b>25</b>
<b>Specification guide</b>		<b>5</b>	DD24STI9, DD24SHTI9 Recessed handle panel		<b>10</b>	<b>Venting specifications</b>		<b>26</b>
DD24STI9, DD24SHTI9		<b>6</b>	DD24SI9 Custom panel		<b>11</b>	Ventilation cabinet options		<b>27</b>
			DD24SI9 Stainless steel panel		<b>12</b>	Duct placement		<b>28</b>
			<b>Accessories</b>		<b>13</b>	<b>Services</b>		<b>29</b>
			Handles		<b>14</b>	Service specifications		<b>30</b>
			Pre-finished panels DD24STI9, DD24SHTI9		<b>15</b>	Service placement options		<b>31</b>
			Pre-finished panels DD24SI9		<b>16</b>	Electrical and plumbing specifications		<b>32</b>
			<b>Planning considerations</b>		<b>17</b>	<b>Data sheets: Handles</b>		<b>33</b>
			Cavity specifications		<b>18</b>	Contemporary square fine handle		<b>34</b>
			Over width cavity specifications		<b>19</b>	Contemporary round handle		<b>35</b>
			Custom panel specifications		<b>20</b>	Classic round handle		<b>36</b>
			Dual installation		<b>21</b>	Professional round flush handle		<b>37</b>
			Cooldrawer™ and dishwasher side by side		<b>22</b>			

## DESIGN CHOICES

**SINGLE DRAWER INTEGRATED**

**SINGLE DRAWER PRE-FINISHED**



①

②

③

④

⑤

⑥

⑦

⑧

⑨

STYLE	MODELS	PANEL OPTIONS	HANDLE STYLE	HEIGHT		WIDTH		DEPTH	
				in	mm	in	mm	in	mm
① Integrated Single DishDrawer™	Tall Series 11 DD24STX6I1 DD24STX6HI1	Custom panel, Brushed Stainless Steel, Recessed Handle in Brushed Stainless Steel or Black Stainless Steel	Contemporary, Professional and Classic	17 7/8	455	23 9/16	599	21 3/4	553
② Integrated Single DishDrawer™	Tall Series 9 DD24STI9 N DD24SHTI9 N	Custom panel, Brushed Stainless Steel, Recessed Handle in Brushed Stainless Steel or Black Stainless Steel	Contemporary, Professional and Classic	17 7/8	455	23 9/16	599	21 3/4	553
③ Integrated Single DishDrawer™	Series 9 DD24SI9 N	Custom panel, Brushed Stainless Steel	Contemporary, Professional and Classic	16 1/8	410	23 9/16	599	21 3/4	553
④ Professional Single DishDrawer™	Tall Series 11 DD24STX6PX1	Stainless Steel	Professional stainless steel handle, internal control panel	17 7/8	454	23 9/16	599	22 9/16*	573*
⑤ Professional Single DishDrawer™	Tall Series 9 DD24SV2T9 N	Stainless Steel	Professional stainless steel handle internal control panel	17 7/8	454	23 9/16	599	22 9/16*	573*
⑥ Contemporary Single DishDrawer™	Tall Series 9 DD24ST4NX9	Stainless Steel	Recessed Handle, internal control panel	17 7/8	454	23 9/16	599	22 9/16*	573*
⑦ Contemporary Single DishDrawer™	Tall Series 9 DD24SDFTX9 N	Stainless Steel	Proud Contemporary handle, internal control panel	18 13/16	478	23 9/16	599	22 9/16*	573*
⑧ Contemporary Single DishDrawer™	Tall Series 7 DD24SCTX9 N	Stainless Steel	Pocket handle, external control panel	17 7/8	454	23 9/16	599	22 9/16*	573*
⑨ Contemporary Single DishDrawer™	Series 7 DD24SAX9 N	Stainless Steel	Pocket handle, external control panel	16 1/8	410	23 9/16	599	22 9/16*	573*

\* Excludes handle

The models shown in this Planning Guide may not be available in all markets and are subject to change at any time. Product specifications may vary from those shown. This Planning Guide should not be used as installation guidance for any product. Further information is required to safely and correctly install the products featured here. Specific installation guidance will be available with the product on delivery and on our website fisherpaykel.com

## **SPECIFICATION GUIDE**



DD60STI9, DD60SHTI9

**OVERVIEW**

Install your DishDrawer™ Dishwasher into an existing kitchen space or integrate into kitchen cabinetry. The touch-sensitive control panel is located inside this Integrated model, leaving an uninterrupted exterior that blends seamlessly with surrounding cabinetry.

**PRODUCTS****DD24STI9**

Integrated Dishdrawer™, 24" wide

**DD624SHTI9**

Integrated Dishdrawer™ with water softener, 24" wide

**ACCESSORIES****PRE-FINISHED PANEL**

Brushed stainless steel - ADDD24STPX

**PRE-FINISHED PANELS WITH RECESSED HANDLES**

Brushed stainless steel - ADDD24STNX

Matte black glass - ADDD24STZB

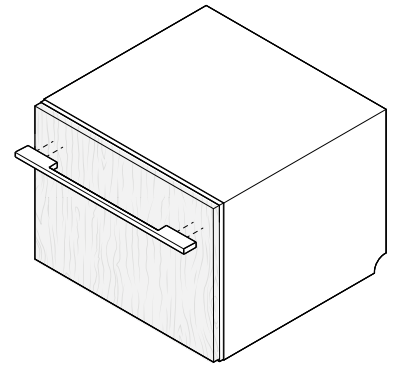
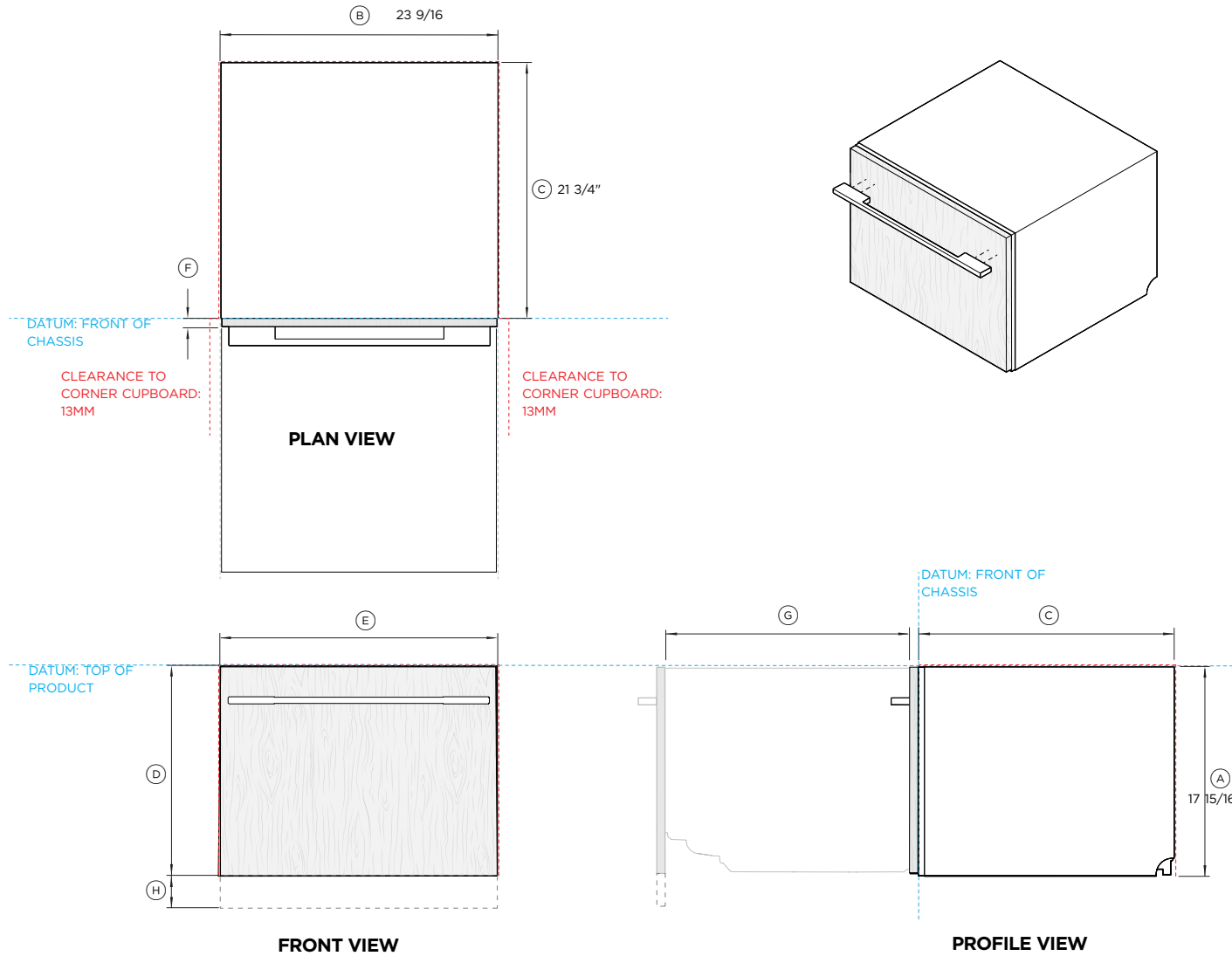
**HANDLES**

Handles are available for the Dishdrawer™ including Contemporary, Professional, and Classic styles. Options include brushed aluminium, black, and stainless steel finishes. Two handle kits are required for double drawer models.

**FEATURES**

- ① Eight wash programs including Auto, 60min and Glassware, while modifiers such as Sanitize, Dry+ and Quiet provide added wash flexibility. The Quiet wash modifier reduces the noise on some cycles while maintaining performance - perfect for late night washing.
- ② Drawer fits full-size dinner plates up to 12 3/16", with flexible racking for large cookware.
- ③ Wi-Fi capability and a SmartHQ™ app to see cycle status and notifications.
- ④ With the flexibility of ergonomic placement and function, single DishDrawer™ Dishwashers can be distributed throughout the kitchen to support patterns of use. The touch-sensitive control panel is located inside this Integrated model, leaving an uninterrupted exterior that blends seamlessly with surrounding cabinetry.
- ⑤ For ease-of-use, these DishDrawer™ Dishwashers have a knock to pause function. A knock on the front panel will pause the dishwasher, which can be restarted by using the start button.

## DATA SHEETS



**Model no:**

**DD24STI9**  
**DD24SHTI9**

Series 9, Integrated Tall Single DishDrawer™ Dishwasher  
Series 9, Integrated Tall Single DishDrawer™ Dishwasher

**Shown with:**

AHD5-OBDD-60SX Contemporary Square Fine Handle

**Product Dimensions**

	in	mm
(A) Overall height of chassis	17 15/16	455
(B) Overall width of chassis	23 9/16	599
(C) Overall depth of chassis*	21 3/4	553
(D) Minimum height of drawer panel	17 13/16	452
(E) Minimum width of drawer panel	23 15/32	596
(F) Drawer panel thickness	5/8 - 13/16	16-20
(G) Maximum drawer opening	20 3/4	527
(H) Maximum lower extension of drawer	2	50
Minimum toe kick height***	3 15/16	100
Minimum toe kick depth***	2 3/8	60

**Minimum Clearances**

	mm	mm
Minimum inside height of cavity	18	457
Minimum inside width of cavity	23 5/8	600
Minimum overall depth of cavity**	22 3/4	578
Minimum clearance to corner cupboard	1/2	13
Minimum clearance to adjacent cupboard door	1/16	2

\*Excluding drawer panels.

\*\*Assumes 3/4" drawer panels.

\*\*\*A minimum toe kick height of 3 15/16" and depth of 2 3/8" is required if venting through toe kick.

----- INDICATES CABINETY / PRODUCT DATUM

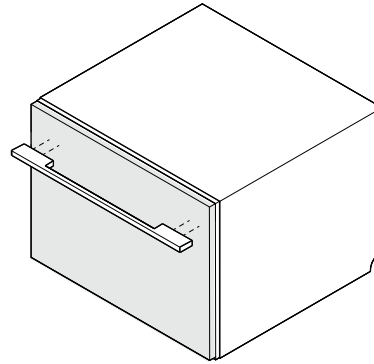
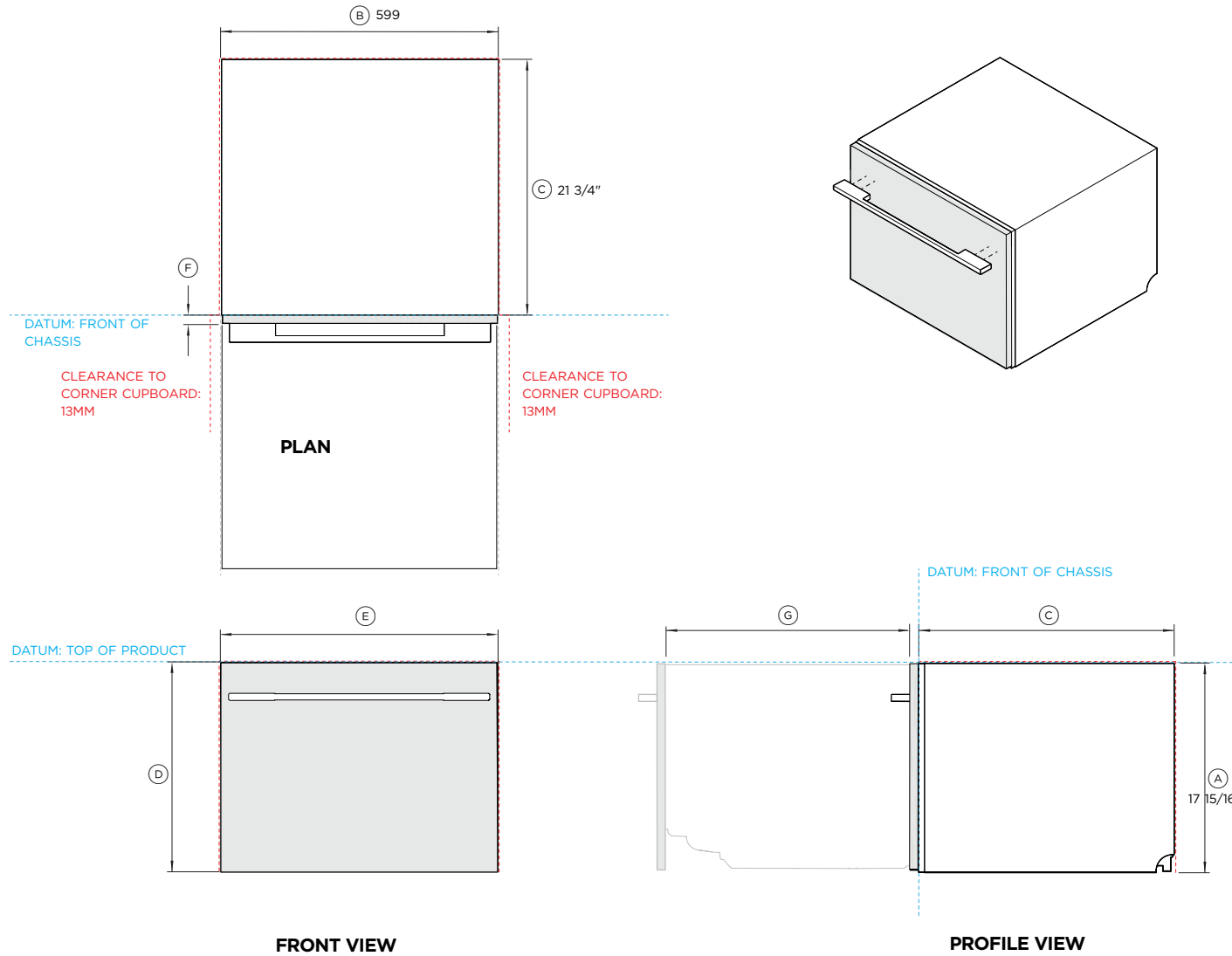
----- INDICATES CABINETY CLEARANCES

----- INDICATES CUTOUT

IMPORTANT NOTE: Throughout this guide, dimensions may vary by ±2mm (1/16"). Please read the installation manual for detailed information on installing the product. For full installation instructions & specifications visit [fisherpaykel.com](http://fisherpaykel.com)



The models shown in this Planning Guide may not be available in all markets and are subject to change at any time. Product specifications may vary from those shown. This Planning Guide should not be used as installation guidance for any product. Further information is required to safely and correctly install the products featured here. Specific installation guidance will be available with the product on delivery and on our website [fisherpaykel.com](http://fisherpaykel.com)



**Model no:**

**DD24STI9** Series 9, Integrated Tall Single DishDrawer™ Dishwasher  
**DD24SHTI9** Series 9, Integrated Tall Single DishDrawer™ Dishwasher

**Shown with:**

ADDD60STPX Stainless Steel Drawer Panel  
 AHD5-OBDD-60SX Contemporary Square Fine Handle, 60cm\*\*

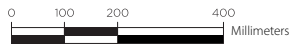
Product Dimensions		in	mm
(A)	Overall height of chassis	17 15/16	455
(B)	Overall width of chassis	23 9/16	599
(C)	Overall depth of chassis*	21 3/4	553
(D)	Height of drawer panel	17 13/16	452
(E)	Width of drawer panel	23 15/32	595
(F)	Drawer panel thickness	3/4"	19
(G)	Maximum drawer opening	20 3/4	527
(H)	Maximum lower extension of drawer	2	50
	Minimum toe kick height***	3 15/16	100
	Minimum toe kick depth**	2 3/8	60

Minimum Clearances		mm	mm
	Minimum inside height of cavity	18	457
	Minimum inside width of cavity	23 5/8	600
	Minimum overall depth of cavity**	22 3/4	578
	Minimum clearance to corner cupboard	1/2	13
	Minimum clearance to adjacent cupboard door	1/16	2

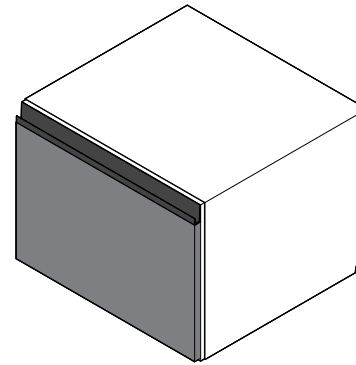
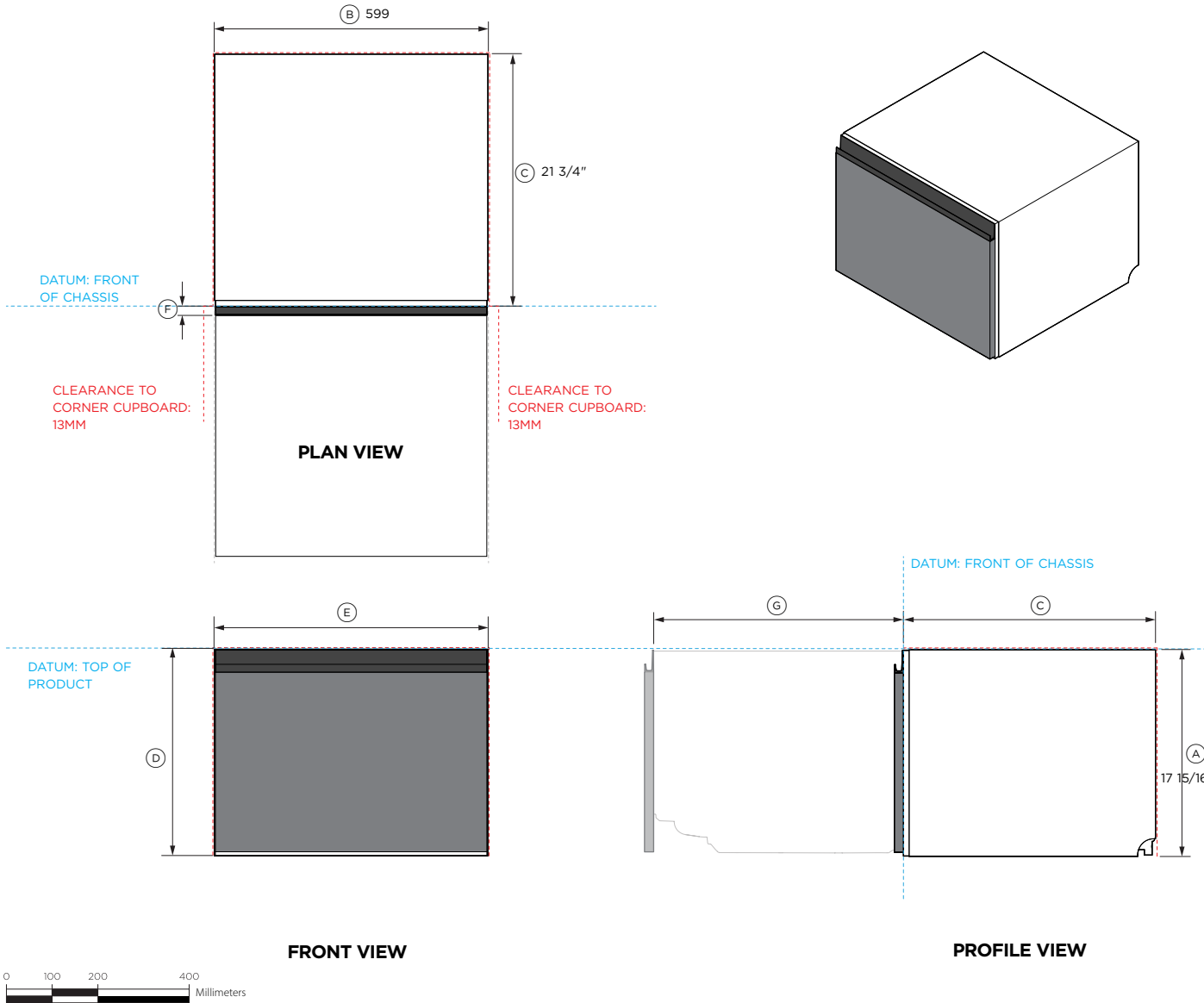
\*Excluding drawer panels.  
 \*\*Assumes 3/4" drawer panels.  
 \*\*\*A minimum toe kick height of 3 15/16" and depth of 2 3/8" is required if venting through toe kick.

----- INDICATES CABINETRY / PRODUCT DATUM  
 - - - - - INDICATES CABINETRY CLEARANCES  
 - - - - - INDICATES CUTOUT

IMPORTANT NOTE: Throughout this guide, dimensions may vary by ±2mm (1/16"). Please read the installation manual for detailed information on installing the product. For full installation instructions & specifications visit [fisherpaykel.com](http://fisherpaykel.com)



The models shown in this Planning Guide may not be available in all markets and are subject to change at any time. Product specifications may vary from those shown. This Planning Guide should not be used as installation guidance for any product. Further information is required to safely and correctly install the products featured here. Specific installation guidance will be available with the product on delivery and on our website [fisherpaykel.com](http://fisherpaykel.com)



**Model no:**

**DD24STI9**  
**DD24SHTI9**

Series 9, Integrated Tall Single DishDrawer™ Dishwasher  
Series 9, Integrated Tall Single DishDrawer™ Dishwasher

**Shown with:**

ADDD24STZB Matt Black Recessed Handle Panel  
Also available in brushed stainless steel

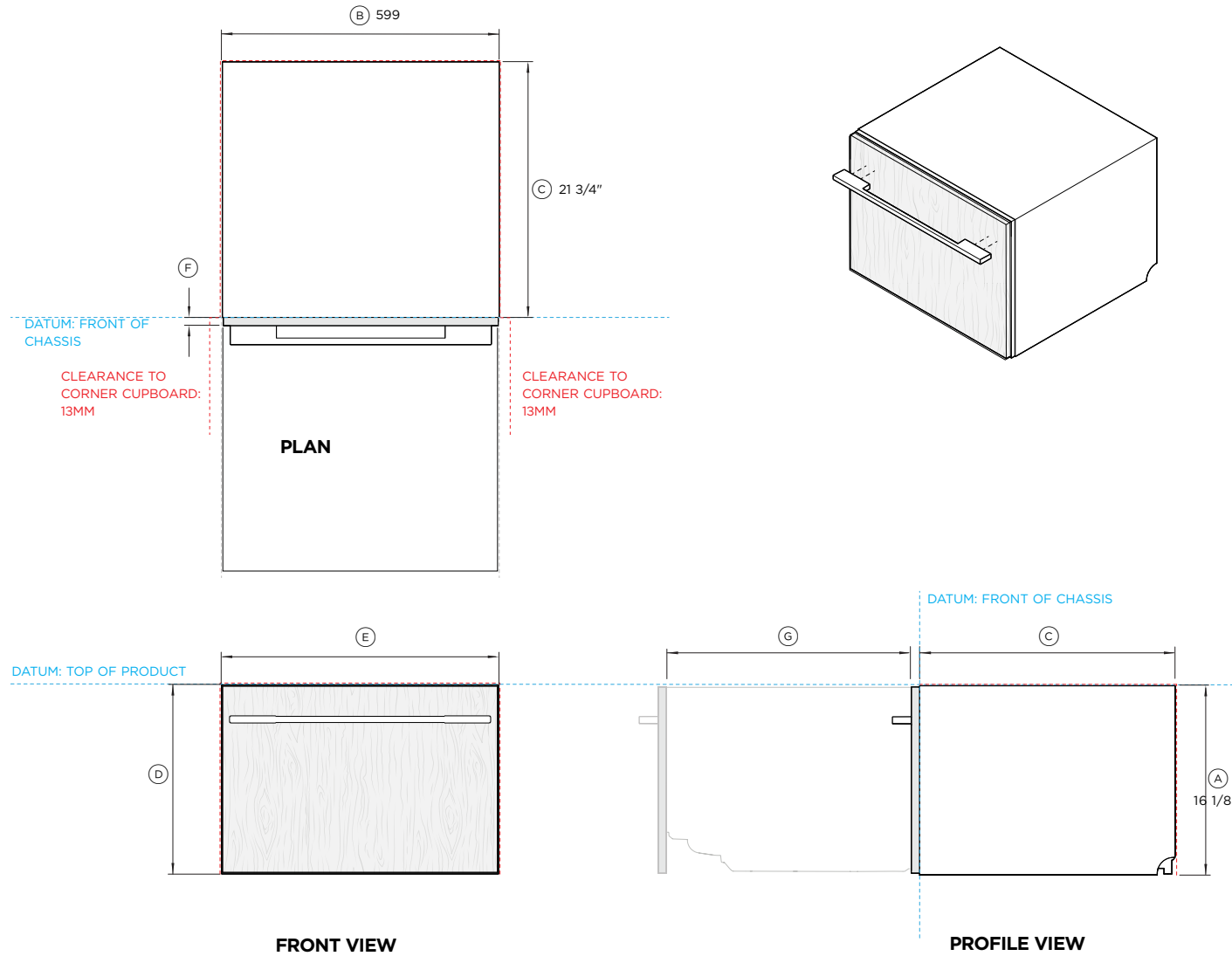
Product Dimensions	in	mm
(A) Overall height of chassis	17 15/16	455
(B) Overall width of chassis	23 9/16	599
(C) Overall depth of chassis*	21 3/4	553
(D) Minimum height of drawer panel	17 13/16	452
(E) Minimum width of drawer panel	23 15/32	596
(F) Drawer panel thickness	3/4"	19
(G) Maximum drawer opening	20 3/4	527
(H) Maximum lower extension of drawer	2	50
Minimum toe kick height***	3 15/16	100
Minimum toe kick depth**	2 3/8	60

Minimum Clearances	mm	mm
Minimum inside height of cavity	18	457
Minimum inside width of cavity	23 5/8	600
Minimum overall depth of cavity**	22 3/4	578
Minimum clearance to corner cupboard	1/2	13
Minimum clearance to adjacent cupboard door	1/16	2

\*Excluding drawer panels.  
\*\*Assumes 3/4" drawer panels.  
\*\*\*A minimum toe kick height of 3 15/16" and depth of 2 3/8" is required if venting through toe kick.

----- INDICATES CABINETRY / PRODUCT DATUM  
- - - - - INDICATES CABINETRY CLEARANCES  
- - - - - INDICATES CUTOUT

IMPORTANT NOTE: Throughout this guide, dimensions may vary by ±2mm (1/16"). Please read the installation manual for detailed information on installing the product. For full installation instructions & specifications visit [fisherpaykel.com](http://fisherpaykel.com)



**Model no:**  
**DD24SI9** Series 9, Integrated Single DishDrawer™ Dishwasher

**Shown with:**  
 AHD5-OBDD-60SX Contemporary Square Fine Handle

Product Dimensions	in	mm
(A) Overall height of chassis	16 1/8	410
(B) Overall width of chassis	23 9/16	599
(C) Overall depth of chassis*	21 3/4	553
(D) Minimum height of drawer panel	16 1/16	408
(E) Minimum width of drawer panel	23 15/32	596
(F) Drawer panel thickness	5/8 - 13/16	16-20
(G) Maximum drawer opening	20 3/4	527
Minimum toe kick height***	3 15/16	100
Minimum toe kick depth***	2 3/8	60

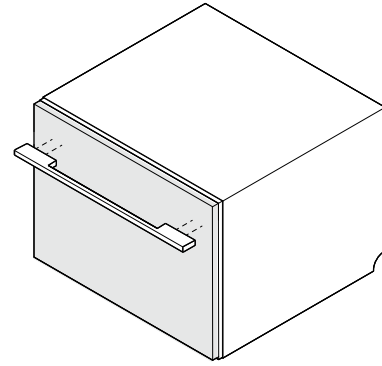
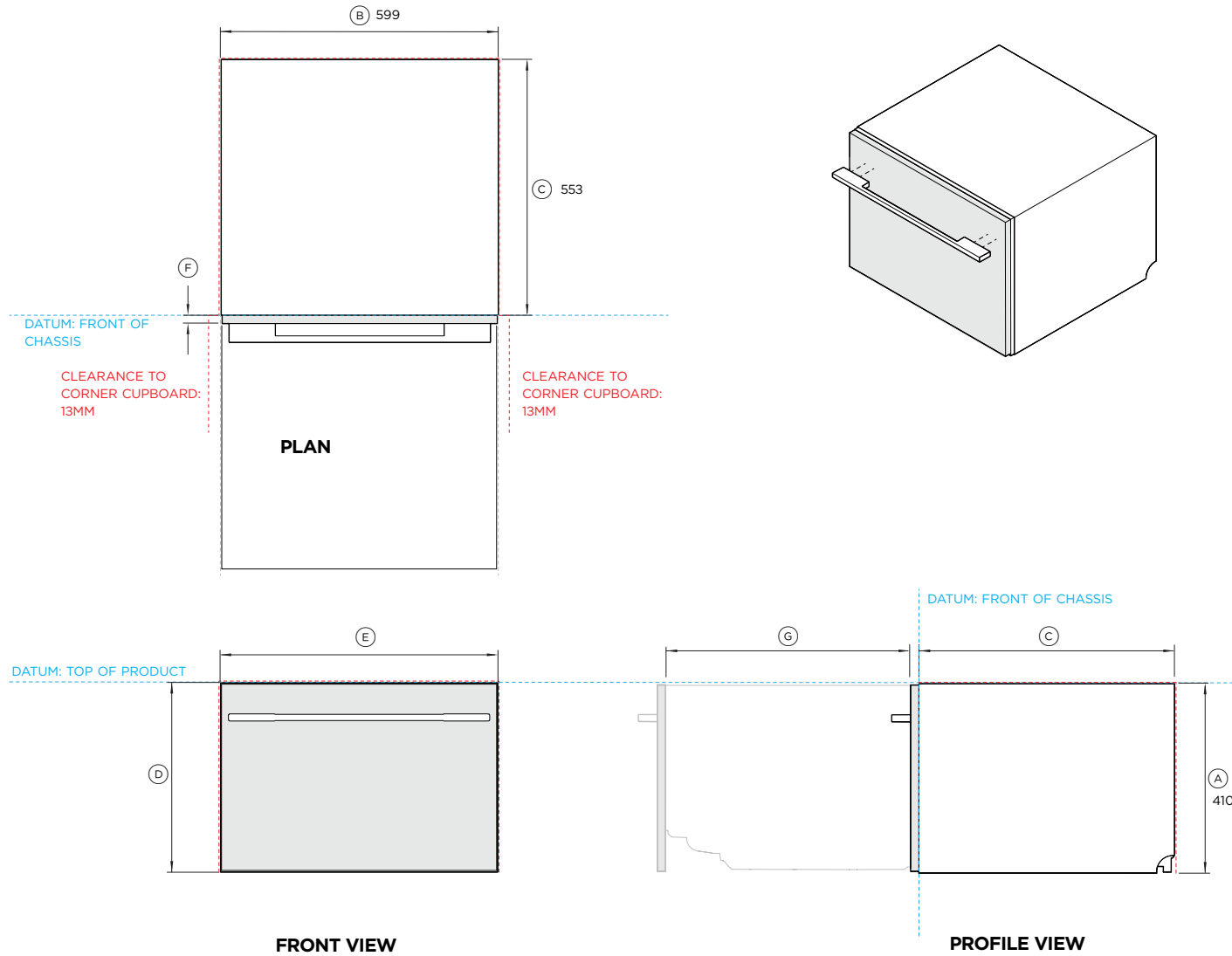
Minimum Clearances	mm	mm
Minimum inside height of cavity	16 7/32	412
Minimum inside width of cavity	23 5/8	600
Minimum overall depth of cavity**	22 3/4	578
Minimum clearance to corner cupboard	1/2	13
Minimum clearance to adjacent cupboard door	1/16	2

\*Excluding drawer panels.  
 \*\*Assumes 3/4" drawer panels.  
 \*\*\*A minimum toe kick height of 3 15/16" and depth of 2 3/8" is required if venting through toe kick.

----- INDICATES CABINETY / PRODUCT DATUM  
 - - - - - INDICATES CABINETY CLEARANCES  
 - - - - - INDICATES CUTOUT

IMPORTANT NOTE: Throughout this guide, dimensions may vary by ±2mm (1/16"). Please read the installation manual for detailed information on installing the product. For full installation instructions & specifications visit [fisherpaykel.com](http://fisherpaykel.com)

The models shown in this Planning Guide may not be available in all markets and are subject to change at any time. Product specifications may vary from those shown. This Planning Guide should not be used as installation guidance for any product. Further information is required to safely and correctly install the products featured here. Specific installation guidance will be available with the product on delivery and on our website [fisherpaykel.com](http://fisherpaykel.com)



**Model no:**  
**DD24SI9** Series 9, Integrated Single DishDrawer™ Dishwasher

**Shown with:**  
 ADDD24SPX Pre-finished panel  
 brushed stainless steel

Product Dimensions	in	mm
(A) Overall height of chassis	16 1/8	410
(B) Overall width of chassis	23 9/16	599
(C) Overall depth of chassis*	21 3/4	553
(D) Height of drawer panel	16 1/16	408
(E) Width of drawer panel	23 15/32	596
(F) Drawer panel thickness	3/4"	19
(G) Maximum drawer opening	20 3/4	527
(H) Maximum lower extension of drawer	2	50
Minimum toe kick height***	3 15/16	100
Minimum toe kick depth***	2 3/8	60

Minimum Clearances	mm	mm
Minimum inside height of cavity	16 7/32	412
Minimum inside width of cavity	23 5/8	600
Minimum overall depth of cavity**	22 3/4	578
Minimum clearance to corner cupboard	1/2	13
Minimum clearance to adjacent cupboard door	1/16	2

\*Excluding drawer panels.  
 \*\*Assumes 3/4" drawer panels.  
 \*\*\*A minimum toe kick height of 3 15/16" and depth of 2 3/8" is required if venting through toe kick.

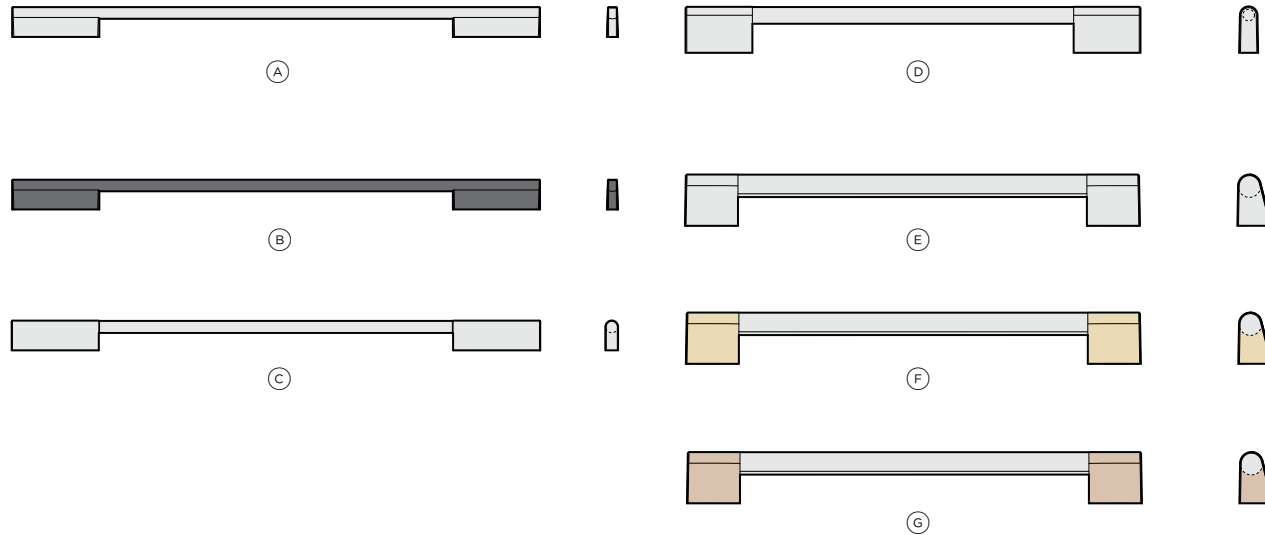
----- INDICATES CABINETRY / PRODUCT DATUM  
 - - - - - INDICATES CABINETRY CLEARANCES  
 - - - - - INDICATES CUTOUT

**IMPORTANT NOTE:** Throughout this guide, dimensions may vary by ±2mm (1/16"). Please read the installation manual for detailed information on installing the product. For full installation instructions & specifications visit [fisherpaykel.com](http://fisherpaykel.com)



The models shown in this Planning Guide may not be available in all markets and are subject to change at any time. Product specifications may vary from those shown. This Planning Guide should not be used as installation guidance for any product. Further information is required to safely and correctly install the products featured here. Specific installation guidance will be available with the product on delivery and on our website [fisherpaykel.com](http://fisherpaykel.com)

## ACCESSORIES



Handle kits		
Style	Model	Finish
Ⓐ Contemporary square fine	AHD5-OBDD-60SX	Brushed aluminium
Ⓑ Contemporary square fine black	AHD5-OBDD-60SB	Brushed black aluminium
Ⓒ Contemporary round	AHS-OBDD-60S	Brushed aluminium
Ⓓ Classic round	AHCL-DDDW-24X	Stainless steel
Ⓔ Professional round flush	AHP3-DWDD-SX	Stainless steel
Ⓕ Professional round flush	AHP3DDDW24BA	Stainless steel rail with brass off-stands
Ⓖ Professional round flush	AHP3DDDW24DC	Stainless steel rail with dark copper off-stands

Note: Double Dishwasher requires two handle kits.

The models shown in this Planning Guide may not be available in all markets and are subject to change at any time. Product specifications may vary from those shown. This Planning Guide should not be used as installation guidance for any product. Further information is required to safely and correctly install the products featured here. Specific installation guidance will be available with the product on delivery and on our website [fisherpaykel.com](http://fisherpaykel.com)

**PRE-FINISHED PANELS**

**Drawer panel**

Brushed Stainless Steel - ADDD24STPX

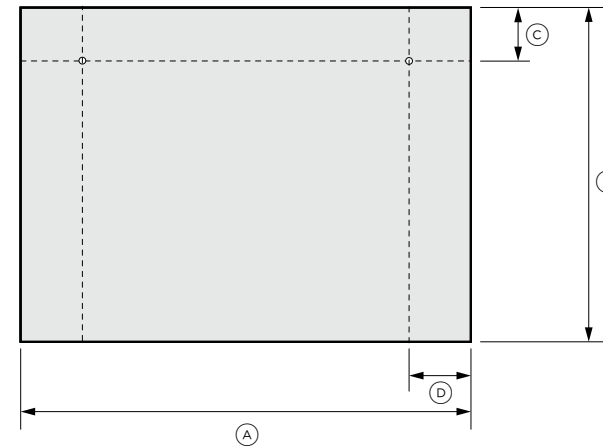
**Drawer Panel with recessed handle**

Matte black glass - ADDD24STZB

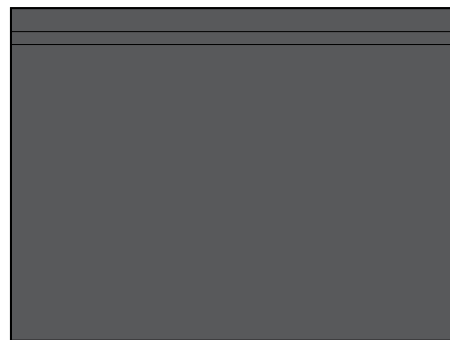
Brushed Stainless Steel - ADDD24STNX

Panel Dimensions	in	mm
Ⓐ Width of panels	23 1/2	596
Ⓑ Height of top drawer panel	17 3/8	442
Ⓒ Height of bottom drawer panel	12 1/4	311
Ⓓ Handle fixing point from top of panel	2 27/32	72
Ⓔ Handle fixing point from side of panel	3 7/32	81.5
Panel depth	23/32	18

Note: Custom toe kick panels can be installed alongside pre-finished panels using the recessed pre-finished toe kick as a mounting jig.



**PRE-FINISHED PANEL ADDD24STPX**  
BRUSHED STAINLESS STEEL



**PRE-FINISHED PANEL WITH RECESSED HANDLE ADDD24STZB**  
MATTE BLACK GLASS



**PRE-FINISHED PANEL WITH RECESSED HANDLE ADDD24STNX**  
BRUSHED STAINLESS STEEL

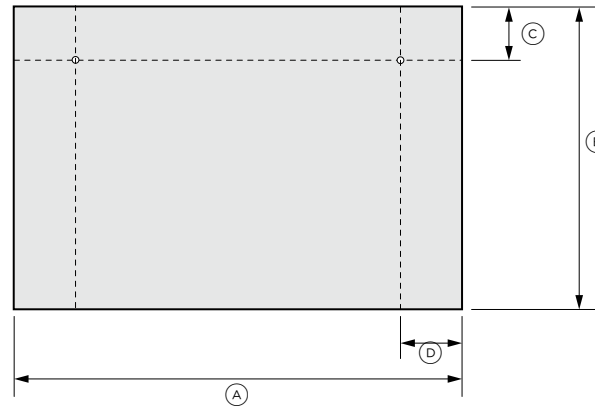
The models shown in this Planning Guide may not be available in all markets and are subject to change at any time. Product specifications may vary from those shown. This Planning Guide should not be used as installation guidance for any product. Further information is required to safely and correctly install the products featured here. Specific installation guidance will be available with the product on delivery and on our website fisherpaykel.com

**PRE-FINISHED PANELS**

**Drawer panel**

Brushed Stainless Steel - ADDD24SPX

<b>Panel Dimensions</b>	<b>in</b>	<b>mm</b>
Ⓐ Width of panel	23 1/2	596
Ⓑ Height of panel	15 7/8	403
Ⓒ Handle fixing point from top of panel	2 27/32	72
Ⓓ Handle fixing point from side of panel	3 7/32	81.5
Panel depth	23/32	18



**PRE-FINISHED PANEL ADDD24SPX**  
BRUSHED STAINLESS STEEL

The models shown in this Planning Guide may not be available in all markets and are subject to change at any time. Product specifications may vary from those shown. This Planning Guide should not be used as installation guidance for any product. Further information is required to safely and correctly install the products featured here. Specific installation guidance will be available with the product on delivery and on our website [fisherpaykel.com](http://fisherpaykel.com)

## PLANNING CONSIDERATIONS

PLANNING CONSIDERATIONS | **CAVITY SPECIFICATIONS**

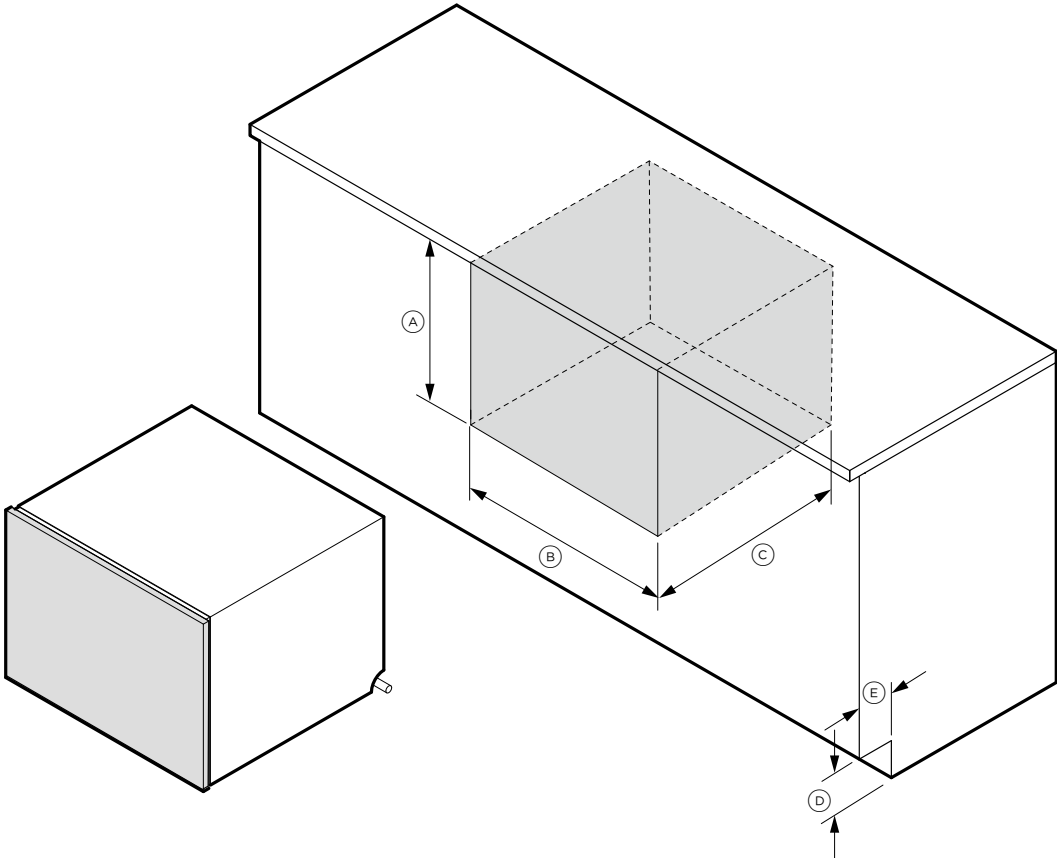
**CAVITY SPECIFICATIONS**

The cavity height will vary according to your cabinetry design.

<b>Cavity Dimensions</b>	<b>in</b>	<b>mm</b>
(A) Cavity minimum height DD24STI9, DD24SHTI9 DD24SI9	18 16 7/32	457 412
(B) Cavity width	23 5/8	600
(C) Minimum cavity depth*	22 3/4	578
(D) Minimum toe kick height**	3 15/16	100
(E) Minimum toe kick depth**	2 3/8	60

\*Assumes 3/4" door panels. Ensure there are no obstructions in the cavity if minimum cavity depth and width are specified.

\*\*A minimum toe kick height of 3 15/16" and depth of 2 3/8" is required if venting through toe kick.



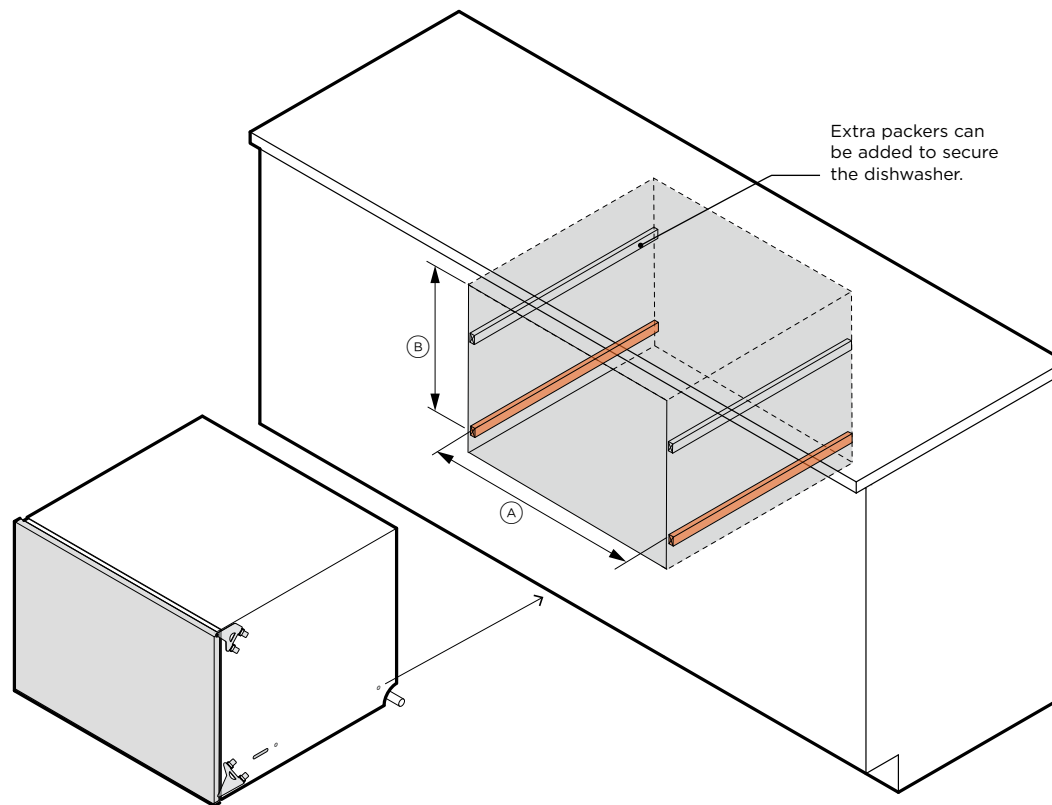
The models shown in this Planning Guide may not be available in all markets and are subject to change at any time. Product specifications may vary from those shown. This Planning Guide should not be used as installation guidance for any product. Further information is required to safely and correctly install the products featured here. Specific installation guidance will be available with the product on delivery and on our website [fisherpaykel.com](http://fisherpaykel.com)

**CAVITY PACKING PLACEMENT**

The dishwasher must be secured through chassis and into the cabinet sides. If the cavity is over width, packers must be installed to avoid bowing the chassis.

Side and top brackets may be installed and fixed to the edge of the cabinet.

<b>Dimensions</b>		<b>in</b>	<b>mm</b>
Ⓐ	Width between spacers	23 5/8	600
Ⓑ	Chassis center of fixing point from top of cavity		
	DD24STI9, DD24SHTI9	13 3/8	340
	DD24SI9	11 5/8	295



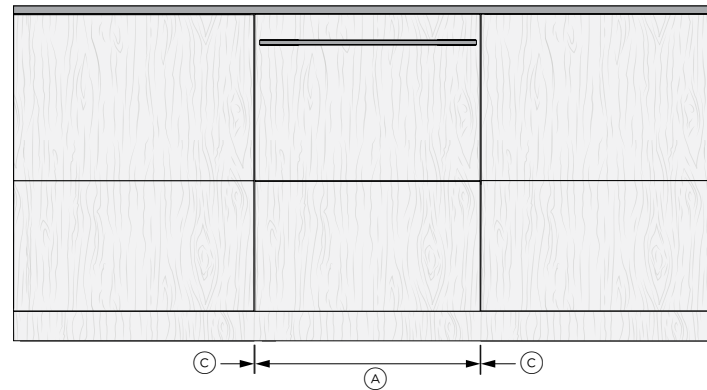
The models shown in this Planning Guide may not be available in all markets and are subject to change at any time. Product specifications may vary from those shown. This Planning Guide should not be used as installation guidance for any product. Further information is required to safely and correctly install the products featured here. Specific installation guidance will be available with the product on delivery and on our website [fisherpaykel.com](http://fisherpaykel.com)

# PLANNING CONSIDERATIONS | CUSTOM PANELS

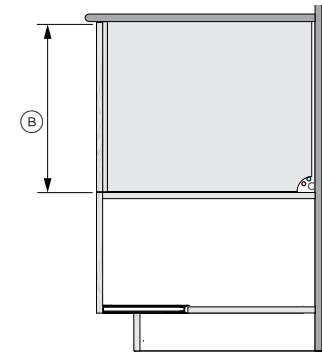
## CUSTOM PANEL SPECIFICATIONS

Ensure that there are no obstructions under the counter top if the dishwasher is installed directly below.

Dimensions	in	mm
(A) Minimum panel width	23 15/32	596
(B) Minimum panel height DD24STI9, DD24SHTI9 DD24SI9	17 13/16	452
	16 1/16	408
(C) Minimum clearance gap between drawers	1/16	2
Maximum lower panel extension	2	50



**FRONT VIEW**  
MINIMUM CAVITY HEIGHT WITH EXTENDED PANEL



**SECTION VIEW**

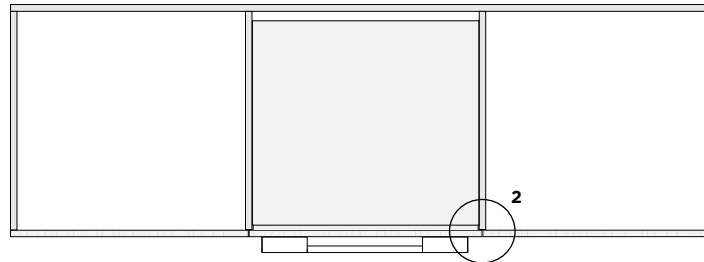
## EXTENDING CUSTOM PANELS

Custom panels may need to extend to cover cabinet side walls or frames, or to create recessed handles.

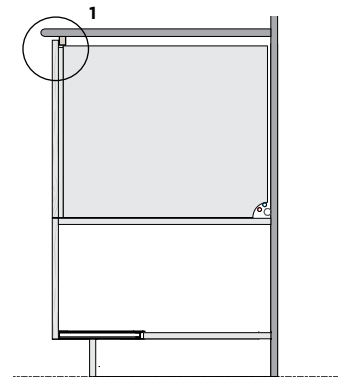
Make sure the dishwasher drawer can always close securely against the seals on the chassis.

The dishwasher drawers must seal properly when closed to prevent humidity escape and condensation, which can damage the custom panel.

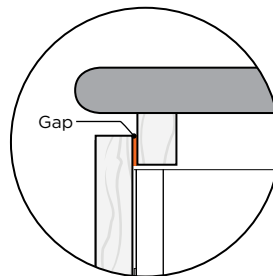
If the custom drawer panel contacts any cabinetry, the seal may be compromised, allowing humidity to escape and damage the drawer panels or cabinetry.



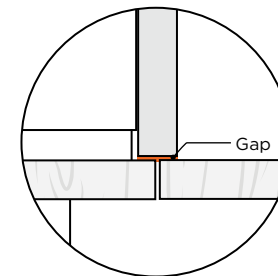
**PLAN VIEW**



**SECTION VIEW**



**DETAIL 1**



**DETAIL 2**

The models shown in this Planning Guide may not be available in all markets and are subject to change at any time. Product specifications may vary from those shown. This Planning Guide should not be used as installation guidance for any product. Further information is required to safely and correctly install the products featured here. Specific installation guidance will be available on our website [fisherpaykel.com](http://fisherpaykel.com)

# PLANNING CONSIDERATIONS | DUAL INSTALLATION

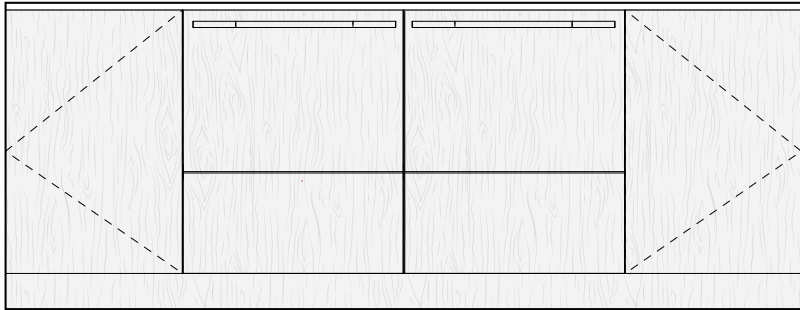
## SIDE BY SIDE

The chassis is screwed to the cabinet side and requires a dividing panel between the dishwashers. Shorter screws may be required.

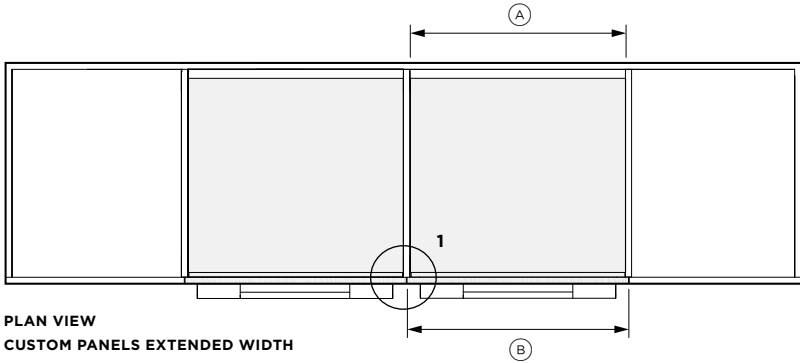
Dimensions	in	mm
Ⓐ Cavity width	23 5/8	600
Ⓑ Minimum custom panel width*	23 15/32	596
Ⓒ Pre-finished panel width	23 15/32	596

\*Panel width depends on your cabinetry style, which may be overlay, framed, or standard.

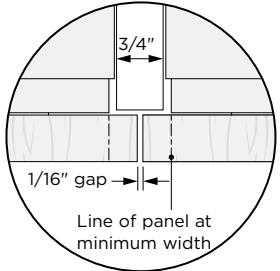
Ensure that there is a small gap between the custom panel and any cabinetry behind it to allow a good seal.



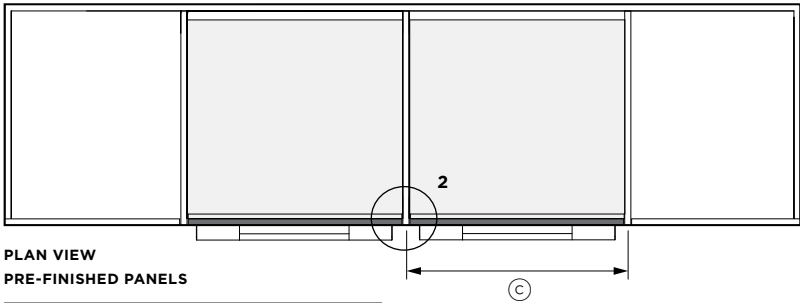
**FRONT VIEW  
SIDE BY SIDE INSTALLATION**



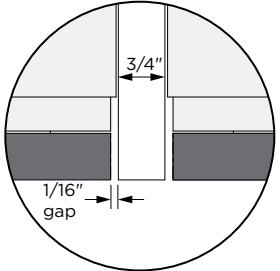
**PLAN VIEW  
CUSTOM PANELS EXTENDED WIDTH**



**DETAIL 1  
PANEL EXTENDED TO CENTER OF  
CABINET DIVIDER**



**PLAN VIEW  
PRE-FINISHED PANELS**



**DETAIL 2  
SIDE BY SIDE CONFIGURATON  
WITH PRE-FINISHED PANELS**

The models shown in this Planning Guide may not be available in all markets and are subject to change at any time. Product specifications may vary from those shown. This Planning Guide should not be used as installation guidance for any product. Further information is required to safely and correctly install the products featured here. Specific installation guidance will be available with the product on delivery and on our website fisherpaykel.com

**SIDE BY SIDE**

For detailed Cooldrawer™ information refer to the Cooldrawer™ Planning Guide at fisherpaykel.com  
 Classic handle kit shown for Cooldrawer (AHCLR36S) and dishwasher (AHCL-DDDW-24X).

Other compatible handles:

**Square fine aluminium**

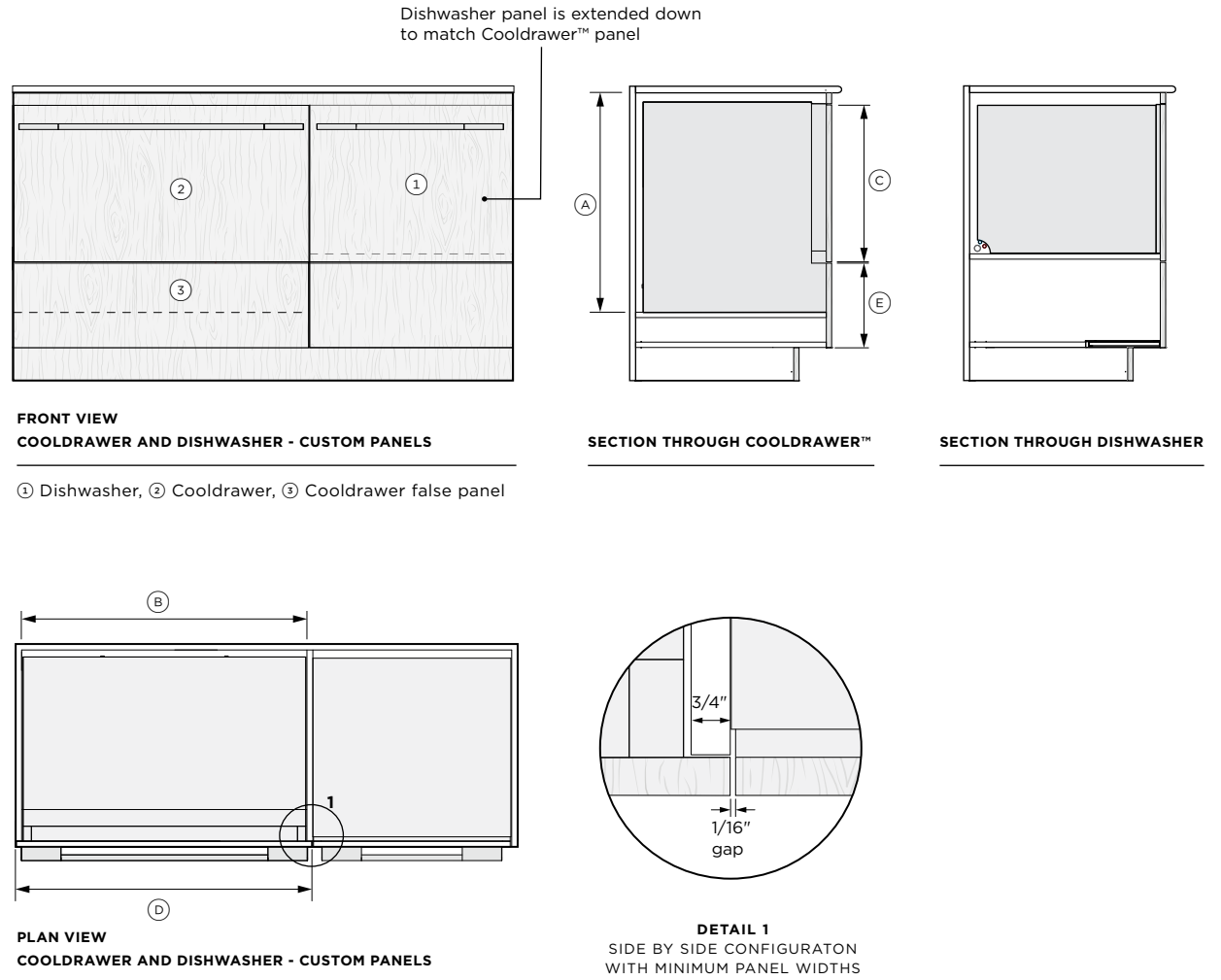
Cooldrawer AHD5RD36S and  
 Dishwasher AHD5-OBDD-60SX

**Square fine black**

Cooldrawer AHD5RD36SB  
 Dishwasher AHD5-OBDD-60SB

Cooldrawer™ Dimensions	in	mm
Ⓐ Cooldrawer™ minimum cavity height	26 3/16 - 30 1/16	665 - 764
Ⓑ Cooldrawer™ cavity width	34	864
Ⓒ Cooldrawer™ minimum panel height	min 18 3/4	min 476
Ⓓ Cooldrawer™ minimum panel width	35 5/16	896
Ⓔ Cooldrawer™ false panel height	5 15/16 - 7 1/8	150 - 180

Note: Custom door panel and toe kicks to be manufactured and fitted by cabinetmaker.  
 Cooldrawer cannot be paired with dishwasher model DD24SI9.



The models shown in this Planning Guide may not be available in all markets and are subject to change at any time. Product specifications may vary from those shown. This Planning Guide should not be used as installation guidance for any product. Further information is required to safely and correctly install the products featured here. Specific installation guidance will be available with the product on delivery and on our website fisherpaykel.com

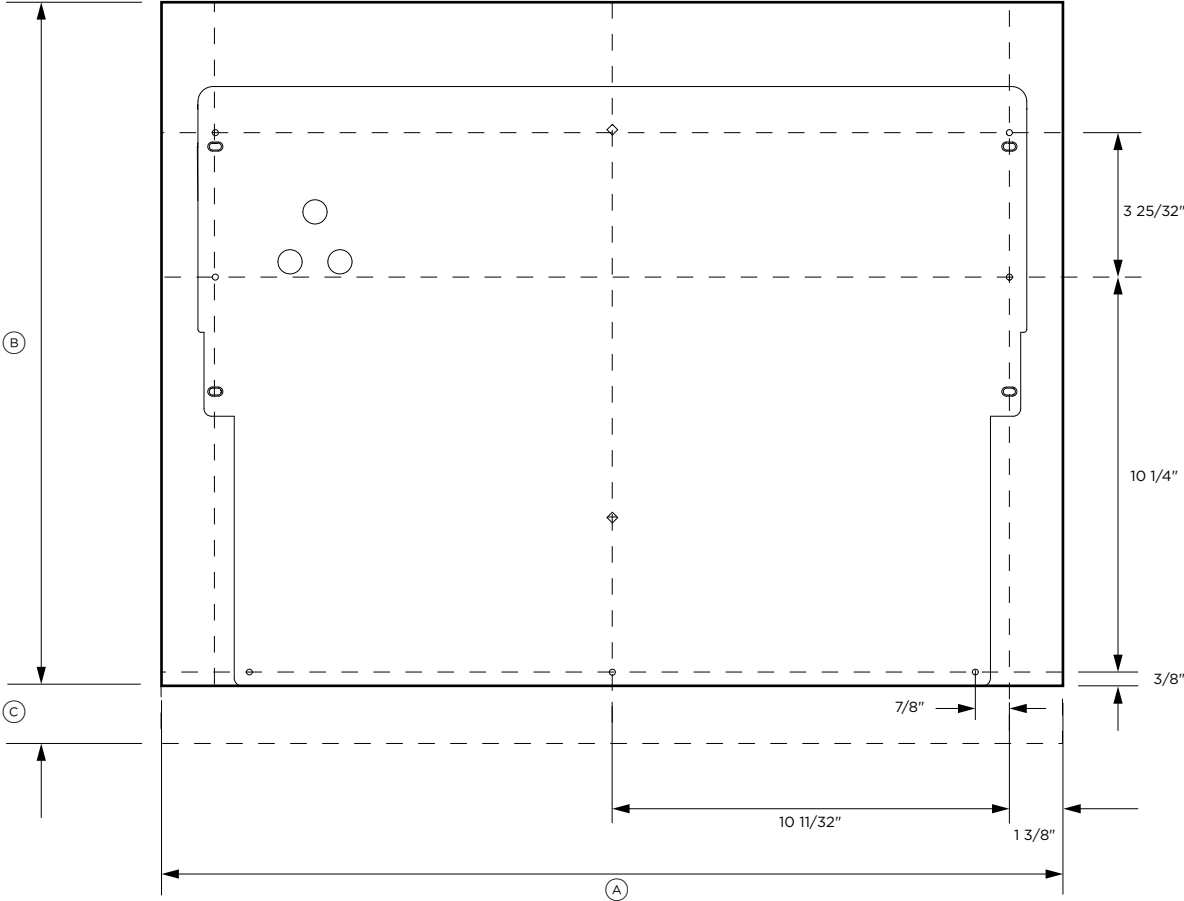
## CUSTOM DRAWER PANEL PREPARATION

**CUSTOM PANEL SPECIFICATIONS**

Panel width will vary according to your cabinet specifications.

Custom drawer panel and toe kicks should be manufactured and fitted by a cabinetmaker.

Panel Dimensions	in	mm
Ⓐ Minimum panel width	23 15/32	596
Ⓑ Minimum panel height	17 13/16	452
Ⓒ Maximum panel extension at bottom	2	50
Maximum panel weight of drawer panel including handle	20lb	9kg



PANEL - BACK VIEW

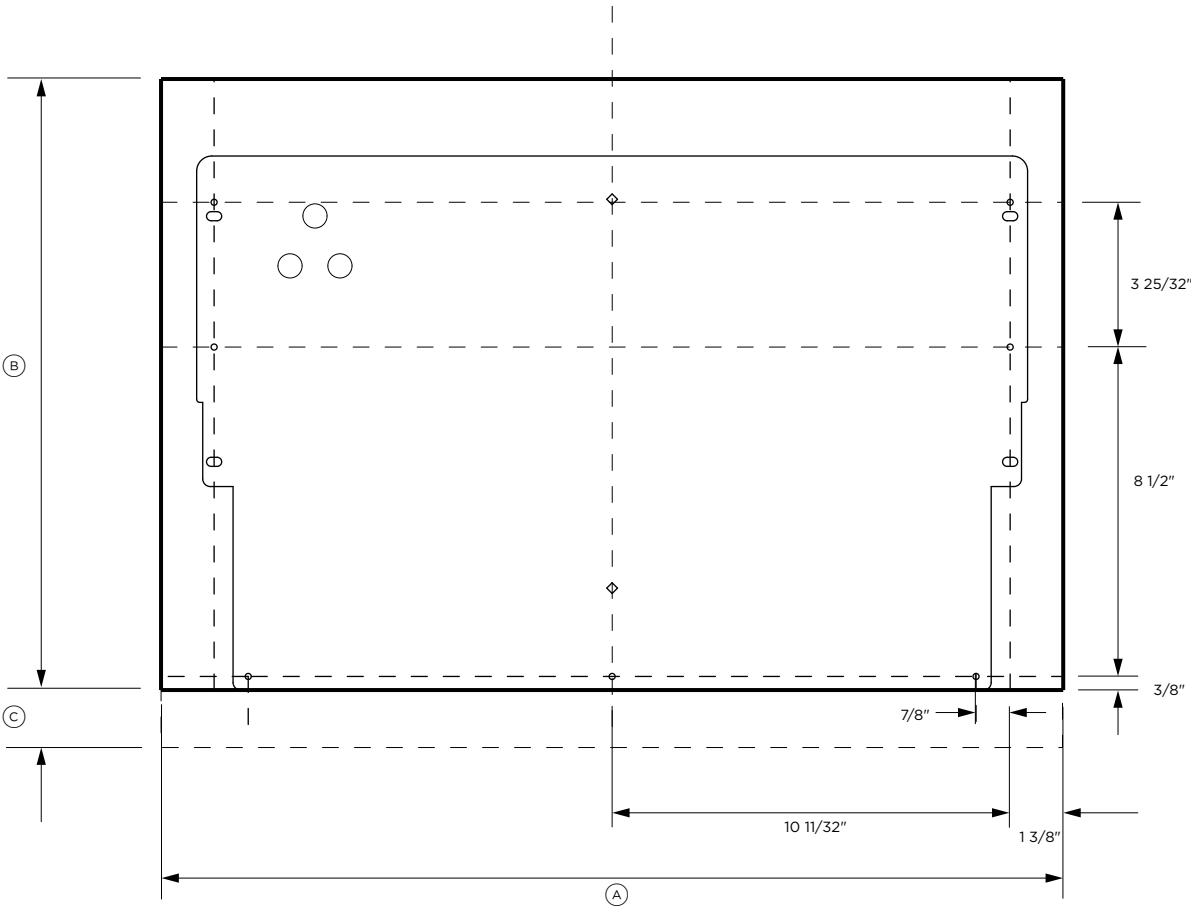
The models shown in this Planning Guide may not be available in all markets and are subject to change at any time. Product specifications may vary from those shown. This Planning Guide should not be used as installation guidance for any product. Further information is required to safely and correctly install the products featured here. Specific installation guidance will be available with the product on delivery and on our website fisherpaykel.com

**CUSTOM PANEL SPECIFICATIONS**

Panel width will vary according to your cabinet specifications.

Custom drawer panel and toe kicks should be manufactured and fitted by a cabinetmaker.

Panel Dimensions	in	mm
Ⓐ Minimum panel width	23 15/32	596
Ⓑ Minimum panel height	16 1/16	408
Ⓒ Maximum panel extension at bottom	2	50
Maximum panel weight of drawer panel including handle	20lb	9kg



PANEL - BACK VIEW

The models shown in this Planning Guide may not be available in all markets and are subject to change at any time. Product specifications may vary from those shown. This Planning Guide should not be used as installation guidance for any product. Further information is required to safely and correctly install the products featured here. Specific installation guidance will be available with the product on delivery and on our website fisherpaykel.com

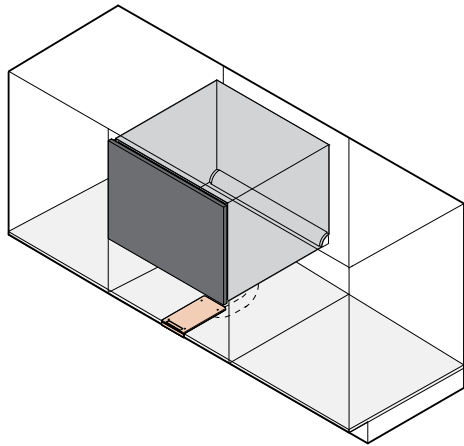
## VENTING SPECIFICATIONS

# PLANNING CONSIDERATIONS | VENTILATION OPTIONS

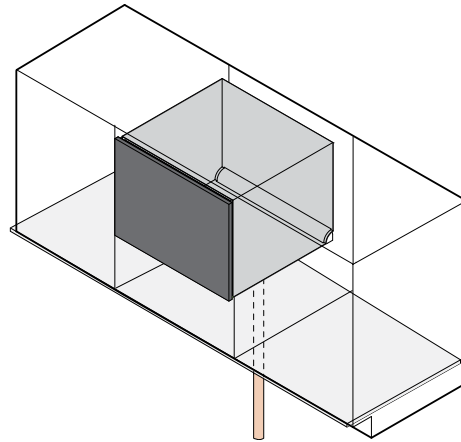
## VENT HOSE

The vent hose may be coiled in the toe kick space, but ensure that there are no sharp bends or kinks.

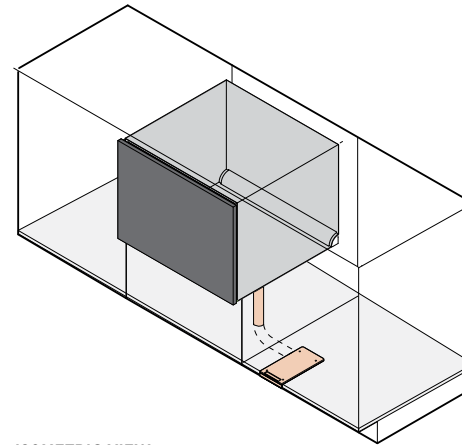
The minimum service hole size is 2 1/4" in diameter.  
The service hole closest to the dishwasher must be 21 3/16" from the front of the DishDrawer, excluding panels, to avoid constricting or damaging the vent hose.



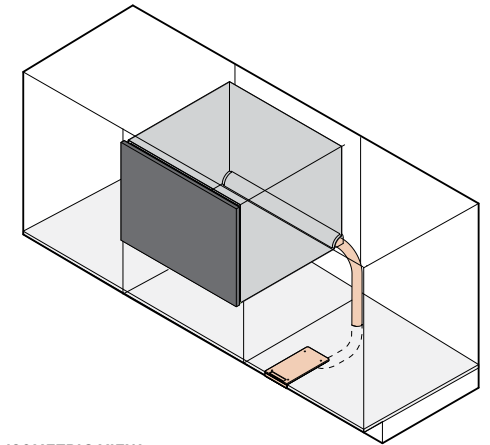
ISOMETRIC VIEW  
VENT UNDER DISHWASHER



ISOMETRIC VIEW  
VENTING UNDER FLOOR



ISOMETRIC VIEW  
VENTING TO ADJACENT CABINET



ISOMETRIC VIEW  
VENTING TO ADJACENT CABINET

## VENT UNDER DISHWASHER

Route the vent hose below the dishwasher cavity. The duct can be installed under a drawer, provided there is a 60mm gap behind the drawer.

## VENT HOSE UNDER FLOOR

The vent hose can be installed below the dishwasher cavity and through the floor into an open and ventilated area. The duct will not be required.

## VENTING TO ADJACENT CABINET

Route the vent hose under the dishwasher and into the toe kick space. The hose can then be routed through the toe kick space and into the adjacent left or right toe kick.

## VENTING TO ADJACENT CABINET

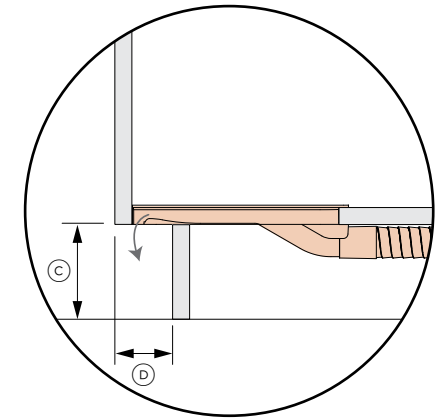
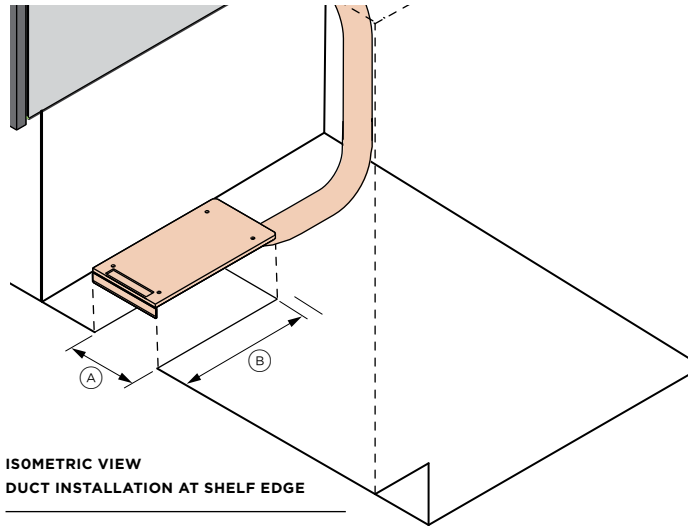
Route the vent hose through the side wall and into the toe kick space. To avoid constricting the vent hose, place the water inlet, drainage hose, and power in a separate cabinet space.

The models shown in this Planning Guide may not be available in all markets and are subject to change at any time. Product specifications may vary from those shown. This Planning Guide should not be used as installation guidance for any product. Further information is required to safely and correctly install the products featured here. Specific installation guidance will be available with the product on delivery and on our website [fisherpaykel.com](https://fisherpaykel.com)

## PLANNING CONSIDERATIONS | DUCT PLACEMENT

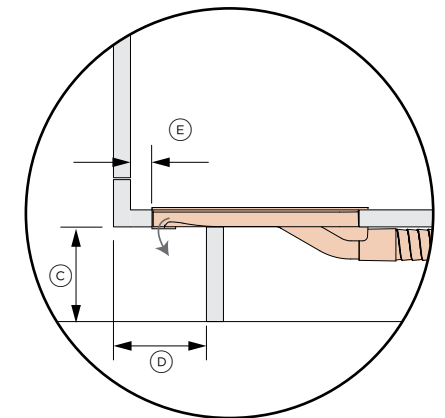
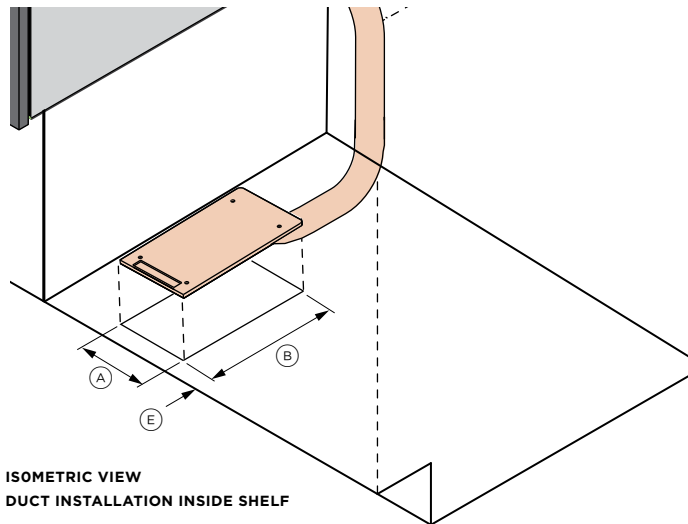
### DUCT INSTALLATION AT SHELF EDGE

Dimensions	in	mm
(A) Duct cut out width	3 15/16	100
(B) Duct cut out length	8 5/8	220
(C) Minimum toe kick height	3 15/16	100
(D) Minimum toe kick depth	2 3/8	60



### DUCT INSTALLATION INSIDE SHELF

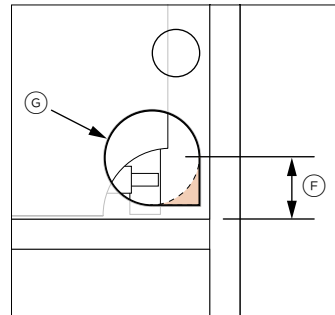
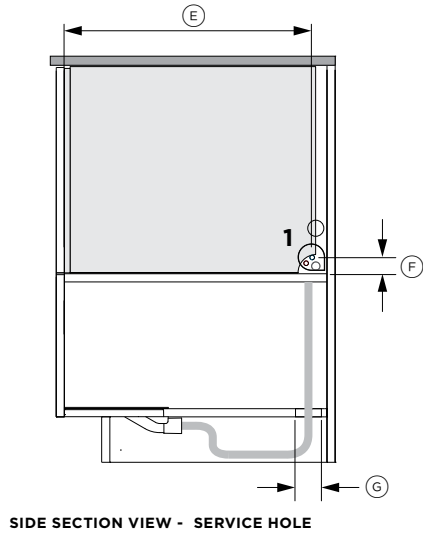
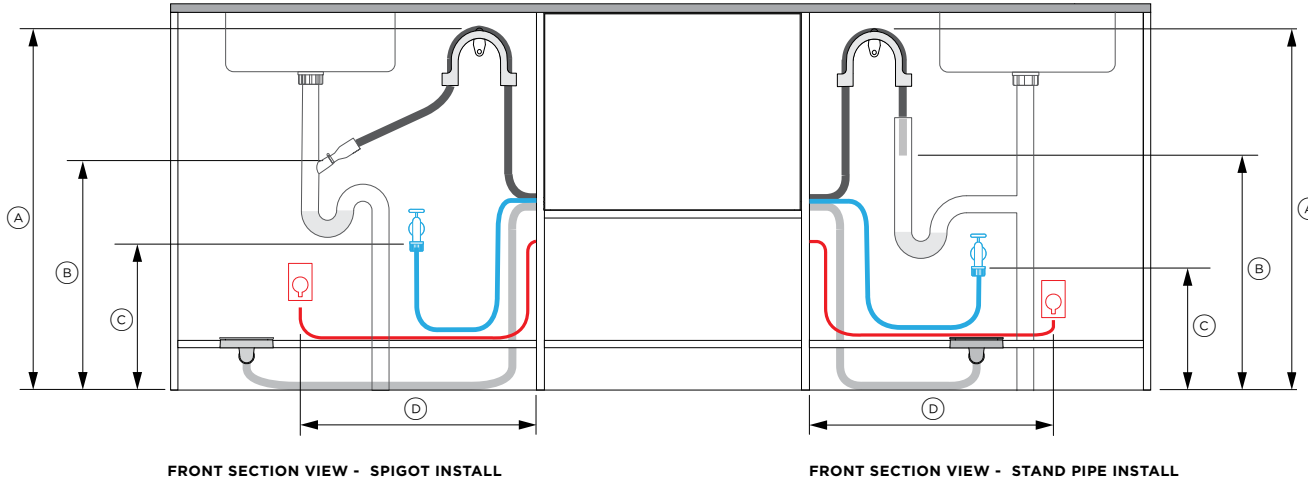
Dimensions	in	mm
(A) Duct cut out width	3 15/16	100
(B) Duct cut out length	8 5/8	220
(C) Minimum toe kick height	3 15/16	100
(D) Minimum toe kick depth	2 3/8	60
(E) Optimal distance to frame	1	25



The models shown in this Planning Guide may not be available in all markets and are subject to change at any time. Product specifications may vary from those shown. This Planning Guide should not be used as installation guidance for any product. Further information is required to safely and correctly install the products featured here. Specific installation guidance will be available with the product on delivery and on our website [fisherpaykel.com](http://fisherpaykel.com)

## SERVICES

## SERVICES | SERVICE SPECIFICATIONS



If venting vent hose is routed through the service hole, the corner must be cut out.

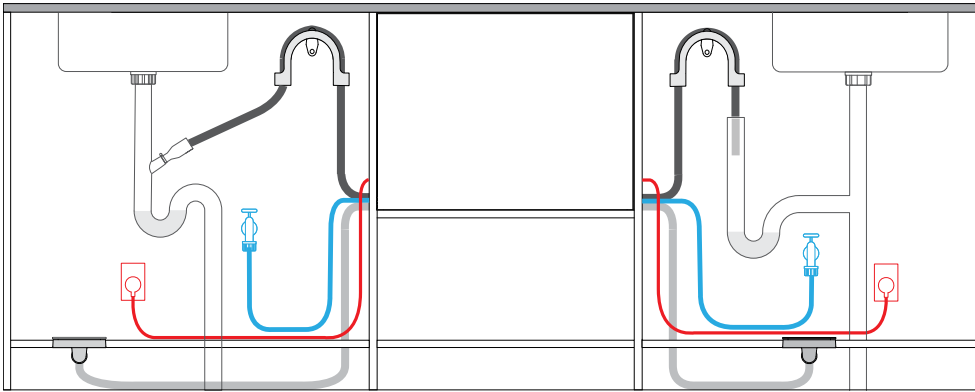
<b>Service dimensions</b>		<b>in</b>	<b>mm</b>
Ⓐ	Minimum distance from floor to top of hose support	29 9/16	750
Ⓑ	Minimum distance from floor to end of drain hoses*	19 11/16	500
Ⓒ	Minimum distance from floor to inlet hose connection	7 7/8	200
Ⓓ	Maximum distance from cabinetry to the centre of electrical outlet	17 3/4	450

\*Distances are the same for standpipe and waste tee installation.

<b>Minimum service hole dimensions</b>		<b>in</b>	<b>mm</b>
Ⓔ	Minimum distance between front of product* and center of service hole	21 3/16	538
Ⓕ	Maximum distance between floor and center of service hole	11 1/2	38
Ⓖ	Minimum diameter of all service holes	2 1/4	57

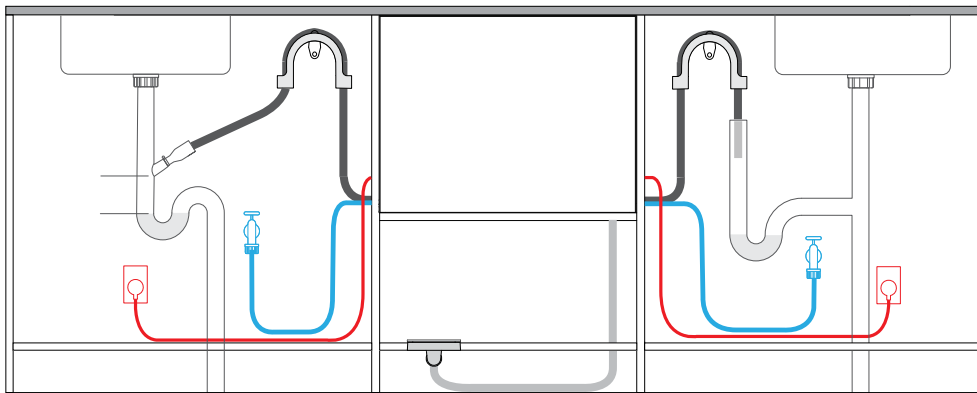
\*Not including dishwasher panels

The models shown in this Planning Guide may not be available in all markets and are subject to change at any time. Product specifications may vary from those shown. This Planning Guide should not be used as installation guidance for any product. Further information is required to safely and correctly install the products featured here. Specific installation guidance will be available on our website [fisherpaykel.com](http://fisherpaykel.com)



**FRONT SECTION VIEW - VENT DUCT THROUGH TOE KICK**

Services can be routed left or right into the adjacent cabinet. Drainage can be routed to a spigot or stand pipe.



**FRONT SECTION VIEW - VENT DUCT UNDER DISHWASHER**

If venting under the dishwasher, the hose service hole must be large enough to rotate the vent pipe when the dishwasher is installed.

**SERVICE REQUIREMENTS**

The power cable must be routed through a service hole separate from the water and drainage.

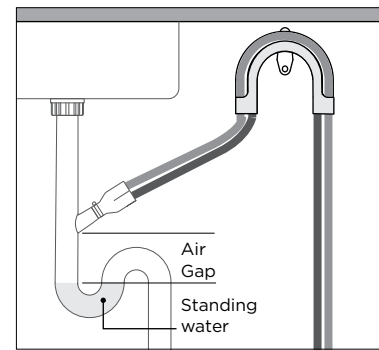
The drain hose support should be placed as close to the underside of the counter top as possible.

Drain hoses must be installed higher than standing water with an air gap between to avoid drainage issues. Hoses can be shortened to achieve the air gap.

Hoses must not extend into a standpipe more than 4 3/4".

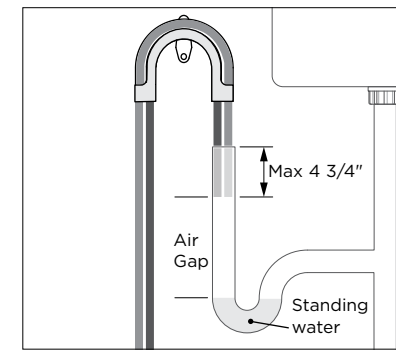
Ensure that cabinet supports or other obstructions are not placed inside the cavity if the depth is minimum 22 3/4"

If the drain hoses supplied are not long enough to reach your services, a Fisher & Paykel drain hose extension kit is available which will extend the drain hoses by 3.6m (part number 525798).



**DETAIL VIEW - SPIGOT INSTALL**

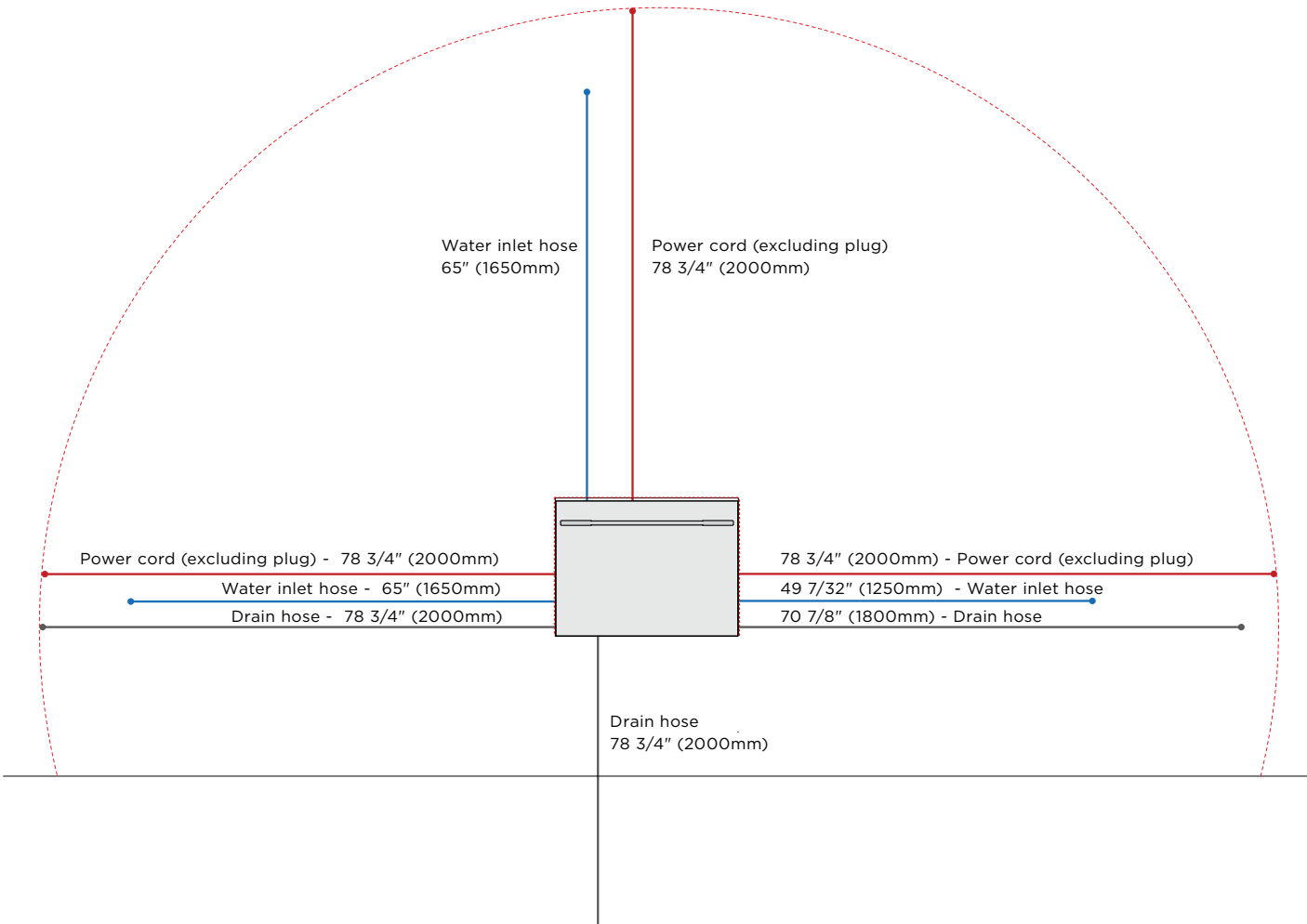
Spigot must be installed above the standing water with an air gap in between.



**DETAIL VIEW - STAND PIPE INSTALL**

Drain must be installed no more than 4 3/4" into the stand pipe with an air gap between drain ends and standing water.

The models shown in this Planning Guide may not be available in all markets and are subject to change at any time. Product specifications may vary from those shown. This Planning Guide should not be used as installation guidance for any product. Further information is required to safely and correctly install the products featured here. Specific installation guidance will be available on our website [fisherpaykel.com](http://fisherpaykel.com)



**Electrical and plumbing specifications**

**DD24STI9, DD24SHTI9, DD24SI9**

**Electrical**

Supply	120V, 60Hz
Service	Min 5A

**Plumbing**

Supply	3/8" (9 mm) male compression fitting
Pressure	
Water softener models (DD24SHTI9)	Min. 0.1 MPa (14.5 psi) Max. 1 MPa (145 psi)
Non water softener model (DD24STI9, DD24SI9)	Min. 0.03 MPa (4.3 psi) Max. 1 MPa (145 psi)
Recommended temperature	Hot (max 140°F/60°C)

**Hose and cord lengths**

	in	mm
Drain hoses*	78 3/4"	2000
Water inlet	65"	1650
Power	78 3/4"	2000

\*The Fisher & Paykel 11ft 9" drain hose extension kit (part number 525798) is available for purchase from [fisherpaykel.com](http://fisherpaykel.com)

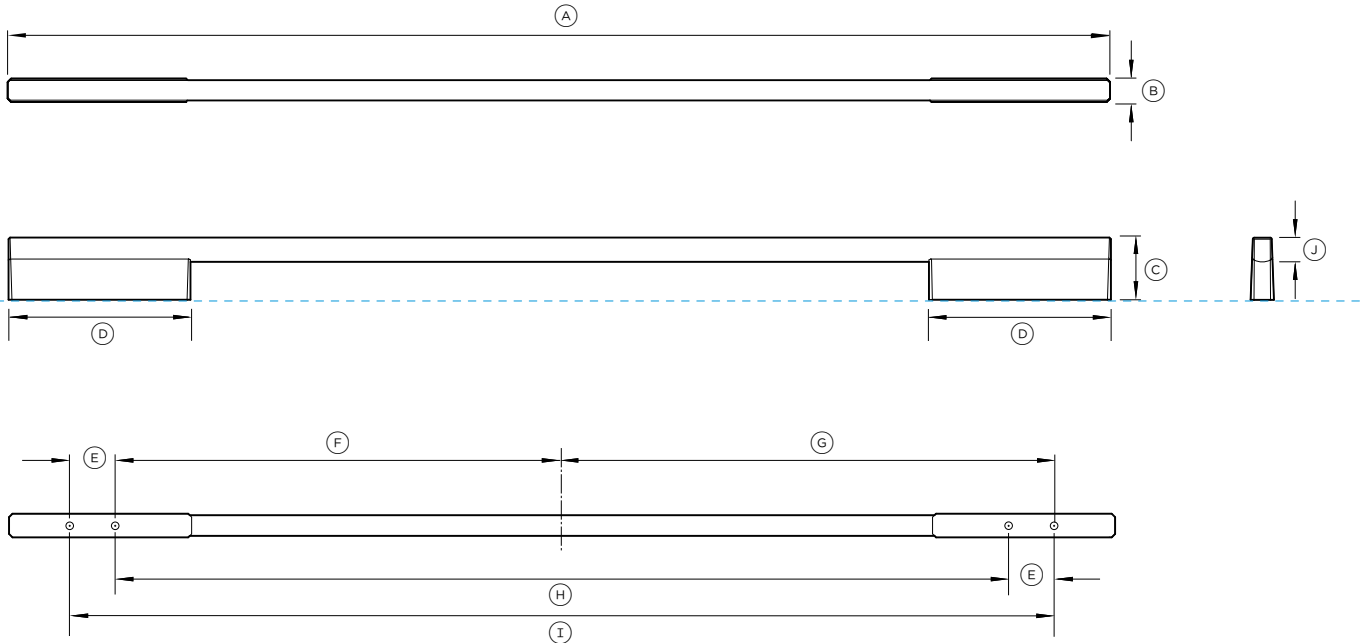
----- INDICATES CABINETRY / PRODUCT DATUM

----- INDICATES CABINETRY CLEARANCES

----- INDICATES CUTOUT

IMPORTANT NOTE: Throughout this guide, dimensions may vary by ±2mm (1/16"). Please read the installation manual for detailed information on installing the product. For full installation instructions & specifications visit [fisherpaykel.com](http://fisherpaykel.com)

## DATA SHEETS: HANDLES



**Model no:**  
 Square Fine Handle AHD5-OBDD-60SX  
 Black Square Fine Handle AHD5-OBDD-60SB

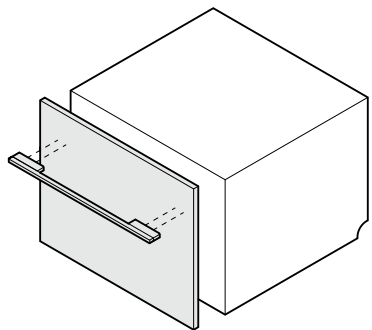
**For Models:**  
 DD24STX6H11 DD24STX6I1

Compatible with drawer panel kits:  
 Square Fine Handle for drawer Panel Kit ADDD24STPX  
 Custom drawer panels

Handle Dimensions	in	mm
A Overall length of handle	22 1/4	565
B Overall depth of handle	19/32	15
C Overall height of handle	1 5/8	41
D Length of off-stand	13 15/16	100
E Distance between attachment holes	1 1/4	32
F Distance from centreline to inner attachment holes	8 1/2	216
G Distance from centreline to outer attachment holes	9 25/32	248.5
H Distance between inner attachment holes	17	432
I Distance between outer attachment holes	19 9/16	497
J Thickness of handle rail	5/8	16

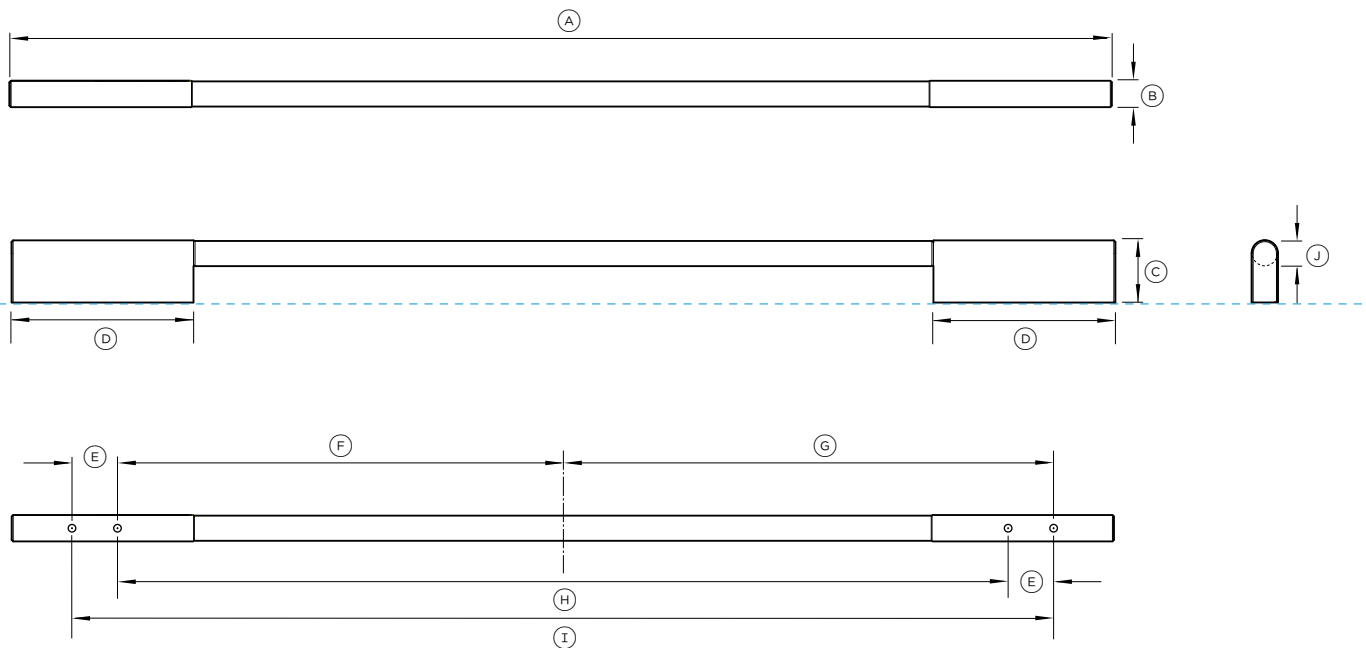
\*Suits standard 3/4" drawer panel. Thicker drawer panels may require counter boring or longer screws.

Note: Single Dishwasher requires one handle kit. Double Dishwasher requires two handle kits.



M6 X 25mm Pan Head Socket Screw (2 per handle)

**IMPORTANT NOTE:** Throughout this guide, dimensions may vary by ±2mm (1/16"). Please read the Installation Guide for detailed information on installing the product. For full installation instructions visit [fisherpaykel.com](http://fisherpaykel.com)



**Model no:**  
Round Handle AHS-OBDD-60S

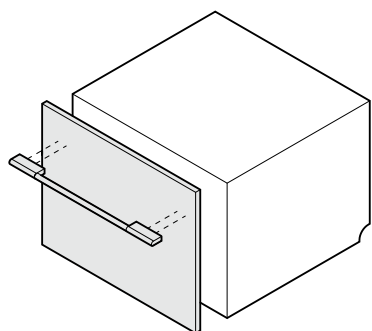
**For Models:**  
DD24STX6HI DD24STX6II

Compatible with drawer panel kits:  
Square Fine Handle for drawer Panel Kit ADDD24STPX  
Custom drawer panels

Handle Dimensions	in	mm
A Overall length of handle	22 1/4	565
B Overall depth of handle	11/16	17
C Overall height of handle	1 5/8	41
D Length of off-stand	13 15/16	100
E Distance between attachment holes	1 1/4	32
F Distance from centreline to inner attachment holes	8 1/2	216
G Distance from centreline to outer attachment holes	9 25/32	248.5
H Distance between inner attachment holes	17	432
I Distance between outer attachment holes	19 9/16	497
J Thickness of handle rail	5/8	16

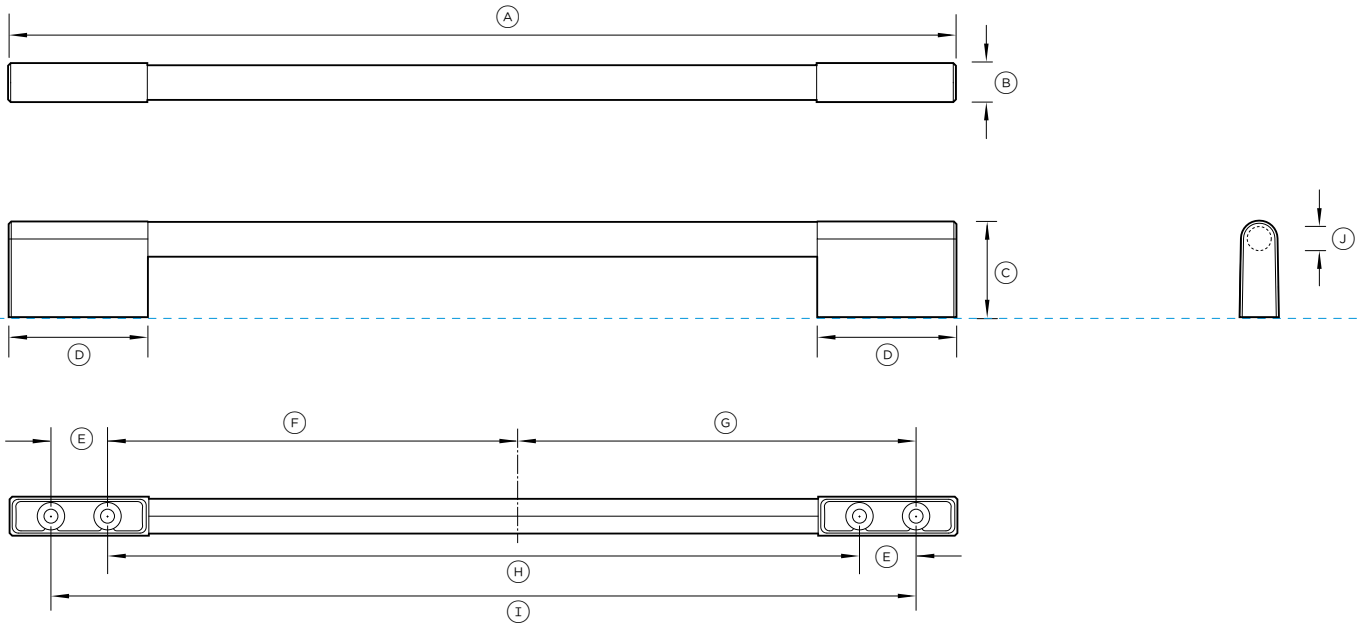
\*Suits standard 3/4" drawer panel. Thicker drawer panels may require counter boring or longer screws.

Note: Single Dishwasher requires one handle kit. Double Dishwasher requires two handle kits.



M6 X 25mm Pan Head Socket Screw (2 per handle)

**IMPORTANT NOTE:** Throughout this guide, dimensions may vary by ±2mm (1/16"). Please read the Installation Guide for detailed information on installing the product. For full installation instructions visit [fisherpaykel.com](http://fisherpaykel.com)



**Model no:**  
Classic Round Handle AHCL-DDDW-24X

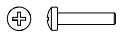
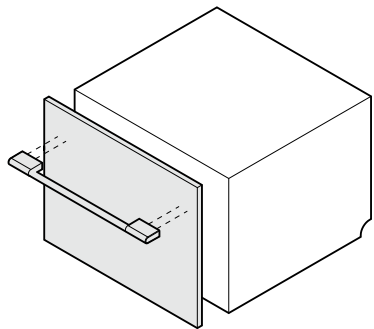
**For Models:**  
DD24STX6H11 DD24STX611

Compatible with drawer panel kits:  
Square Fine Handle for drawer Panel Kit ADDD24STPX  
Custom drawer panels

Handle Dimensions	in	mm
Ⓐ Overall length of handle	21 13/32	544
Ⓑ Overall depth of handle	7/8	22
Ⓒ Overall height of handle	2 5/32	55
Ⓓ Length of off-stand	3 5/32	80
Ⓔ Distance between attachment holes	1 1/4	32
Ⓕ Distance from centreline to inner attachment holes	8 1/2	216
Ⓖ Distance from centreline to outer attachment holes	9 25/32	248.5
Ⓗ Distance between inner attachment holes	17	432
Ⓙ Distance between outer attachment holes	19 9/16	497
Ⓝ Diameter of handle rail	25/32	20

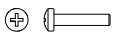
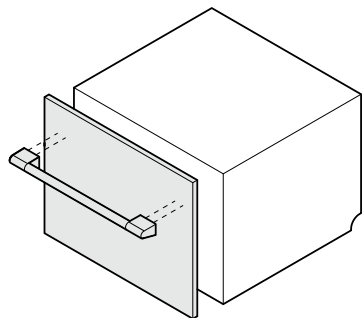
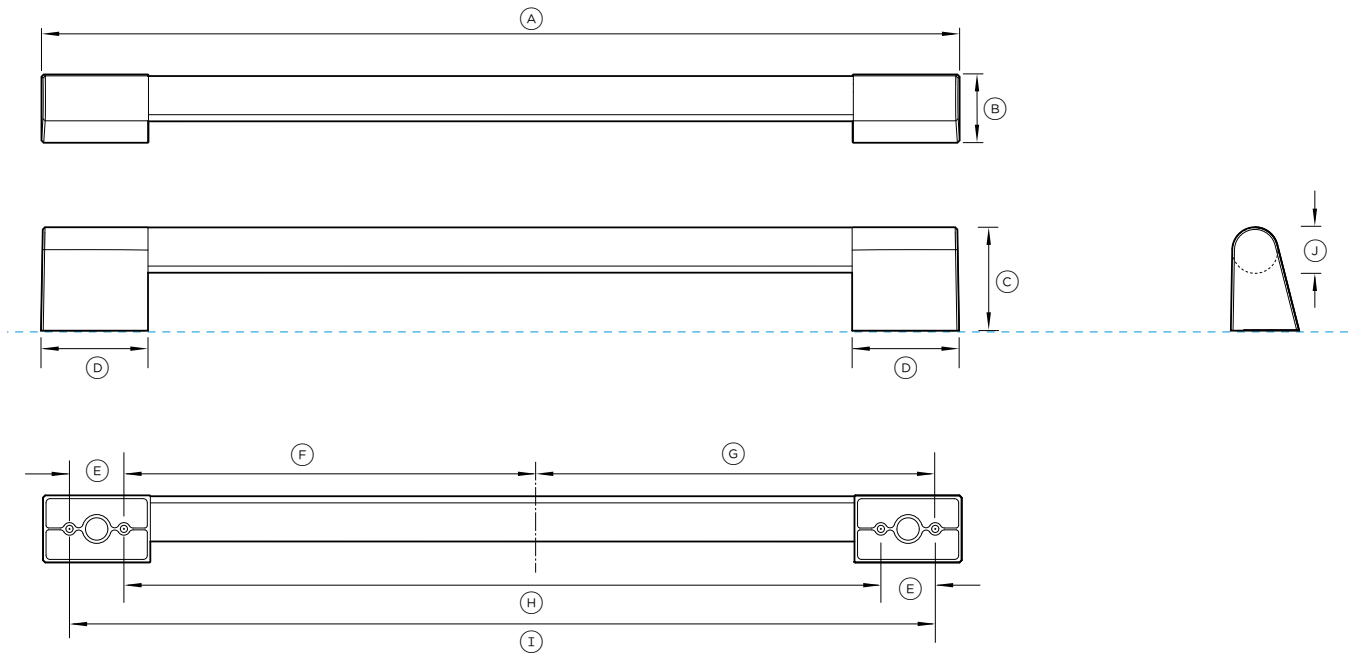
\*Suits standard 19mm drawer panel. Thicker drawer panels may require counter boring or longer screws.

Note: Single Dishwasher requires one handle kit. Double Dishwasher requires two handle kits.



M6 X 25mm Pan Head Socket Screw (2 per handle)

**IMPORTANT NOTE:** Throughout this guide, dimensions may vary by ±2mm (1/16"). Please read the Installation Guide for detailed information on installing the product. For full installation instructions visit [fisherpaykel.com](http://fisherpaykel.com)



M6 X 25mm Pan Head Socket Screw (2 per handle)

**Model no:**

Stainless steel AHP3-DWDD-SX  
 Stainless steel rail with brass off-stands AHP3DDDW24BA  
 Stainless steel rail with dark copper off-stands AHP3DDDW24DC

**For Models:**

DD24STX6H11 DD24STX6I1

Compatible with drawer panel kits:

Square Fine Handle for drawer Panel Kit ADDD24STPX  
 Custom drawer panels

Handle Dimensions	in	mm
Ⓐ Overall length of handle	20 9/32	515
Ⓑ Overall depth of handle	1 1/2	38
Ⓒ Overall height of handle	2 9/32	58
Ⓓ Length of off-stand	2 3/8	60
Ⓔ Distance between attachment holes	1 1/4	32
Ⓕ Distance from centreline to inner attachment holes	8 1/2	216
Ⓖ Distance from centreline to outer attachment holes	9 25/32	248.5
Ⓗ Distance between inner attachment holes	17	432
Ⓘ Distance between outer attachment holes	19 9/16	497
Ⓣ Diameter of handle rail	5/8	25

\*Suits standard 19mm drawer panel. Thicker drawer panels may require counter boring or longer screws.

Note: Single Dishwasher requires one handle kit. Double Dishwasher requires two handle kits.

**IMPORTANT NOTE:** Throughout this guide, dimensions may vary by ±2mm (1/16"). Please read the Installation Guide for detailed information on installing the product. For full installation instructions visit [fisherpaykel.com](http://fisherpaykel.com)

