

INTEGRATED DISHWASHER

PLANNING GUIDE

SERIES 9 INTEGRATED HEAT PUMP DISHWASHER | DW60U4E13

INTRODUCTION

This comprehensive planning guide provides you with the framework and tools to achieve your desired design outcome with Fisher & Paykel appliances. In this guide, you will find a range of conceptual, detailed, and dimensional product information to bring your ideas to life and create spaces that truly reflect your vision.

SUPPORT

For additional design planning and installation support please contact the Fisher & Paykel design support team.
designsupport@fisherpaykel.com

NOTES

The models shown in this Planning Guide may not be available in all markets and are subject to change at any time. Refer to our website fisherpaykel.com for the latest document version. Product specifications may vary from those shown. This Planning Guide should not be used as installation guidance for any product. Specific installation guidance will be available with the product on delivery and on our website.

CONCEPT DESIGN		PAGE	DEVELOPED AND DETAILED DESIGN		PAGE	DEVELOPED AND DETAILED DESIGN		PAGE
Specification Guide			Data Sheets			Planning Considerations		
DW60U4E13		4	DW60U4E13 without Door Panel		7	Cabinetry Requirements		10
			DW60U4E13 with Door Panels		8	Cavity Foam		11
						Custom Panel Specifications		12
						Custom Panel Preparation		13
						Toe Kick Panel		14
						Services		15

SPECIFICATION GUIDE



OVERVIEW

Our most energy efficient model, this Integrated Dishwasher features the latest innovation in Heat Pump Technology to reduce energy use.

PRODUCTS

DW60U4E13*
Series 9, Integrated Heat Pump Dishwasher

*Handles sold separately.

SERIES & STYLE

Series 9
Integrated

ACCESSORIES

ADDW60PX
Stainless Steel Door Panel

ADDW60PB
Black Stainless Steel Door Panel

Handles

Handles are available in Contemporary, Professional, and Classic styles. Options include brushed aluminium and stainless steel finishes. One handle is required for this model.

FEATURES

- ① Heat Pump technology helps reduce energy usage by up to 50%* compared to a standard dishwasher
- ② Designed to be integrated into cabinetry for a seamless finish, this model can be installed under a bench with a minimum height of 820mm
- ③ Auto Door Open ensures beautifully dry dishes with less energy
- ④ Air Curtain channels steam away from the benchtop to protect cabinetry
- ⑤ Flexible racking, pitch-adjustable tines, and glassware supports provide tailored care for a wide range of items, from wine glasses to oven trays
- ⑥ Nine wash programs including specialty Auto, Eco, 60 Min and Glassware cycles
- ⑦ Quiet cycle runs at as low as 40dBA, ideal for open-plan living
- ⑧ Extra Dry, Sanitise, Half Load and Intensive wash modifiers provide extra wash options
- ⑨ With touch controls, floor-light cycle status indicator and interior LED lighting
- ⑩ Wi-Fi capability and a SmartHQ™ app connectivity for remote control and notifications

*The 50% reduction in energy usage is on Eco Cycle, compared to Fisher & Paykel DW60U412 on Eco Cycle which does not have Heat Pump technology. Quiet and 60 min cycles do not use Heat Pump technology.

The models shown in this Planning Guide may not be available in all markets and are subject to change at any time. Product specifications may vary from those shown. This Planning Guide should not be used as installation guidance for any product. Further information is required to safely and correctly install the products featured here. Specific installation guidance will be available with the product on delivery and on our website fisherpaykel.com

SPECIFICATIONS

Model Numbers

DW60U4E13 Series 9, Integrated Heat Pump Dishwasher

Weight

Packaged 61kg

Unpackaged 53kg

Electrical

Dedicated Service (A) 10

Rated Current (W) 1720 - 2050

Supply (Hz) 50

Voltage (V) 220 - 240

Connection Flex cord with plug

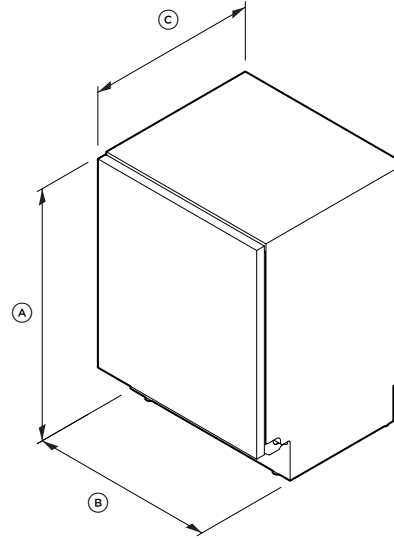
Note: For multi-residential installs, use the Rated Power to calculate the demand.

Plumbing

Supply 20mm BSP connector water inlet hose

Pressure Min 0.03 Mpa (4.35psi)

PRODUCT DIMENSIONS

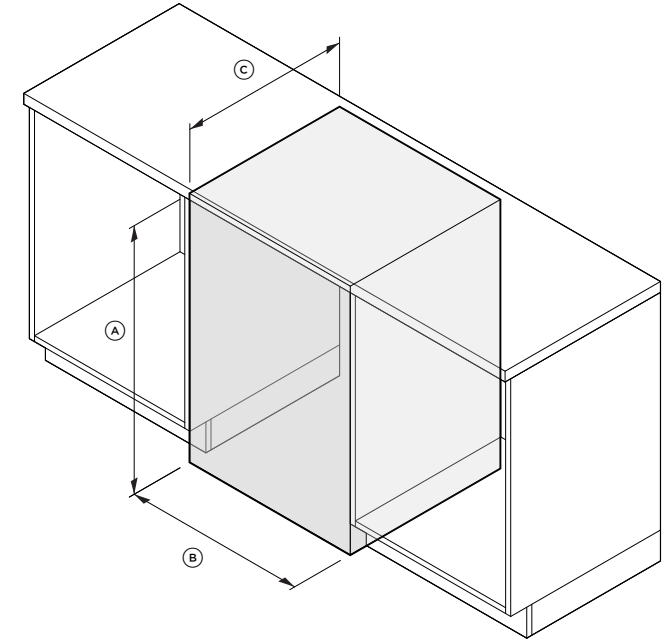


ISOMETRIC VIEW

Product Dimensions	mm
Ⓐ Height of product	820 - 880
Ⓑ Width of product	598
Ⓒ Depth of product*	560

*Excludes front panel and handle.

CAVITY DIMENSIONS



ISOMETRIC VIEW

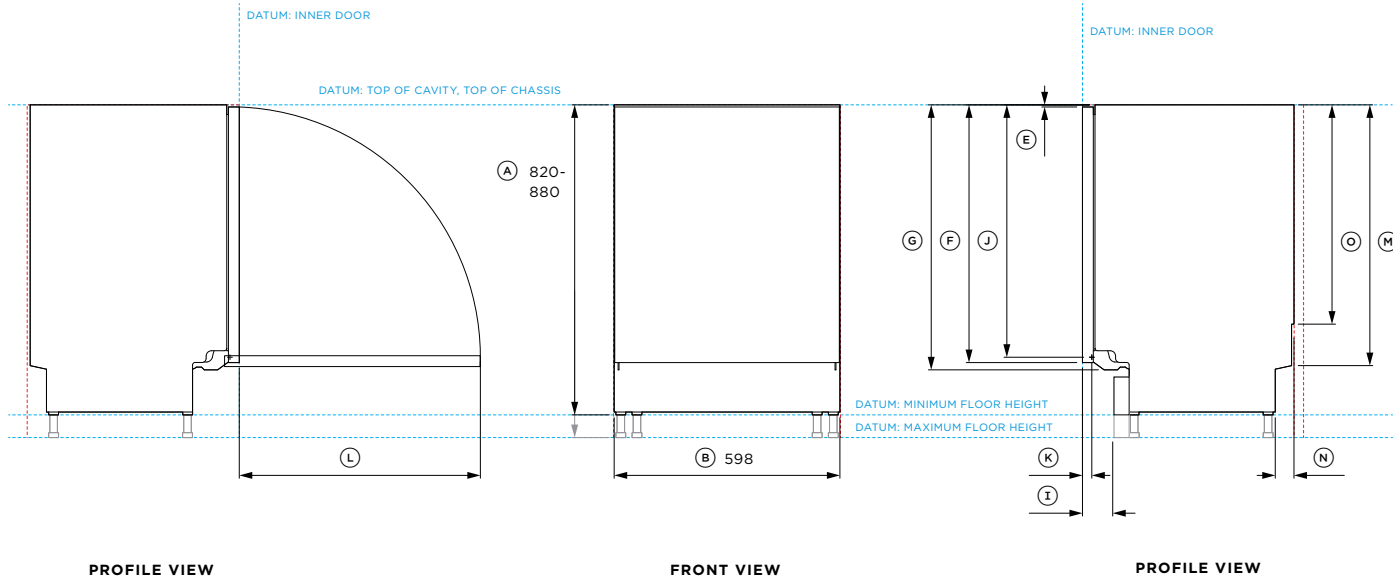
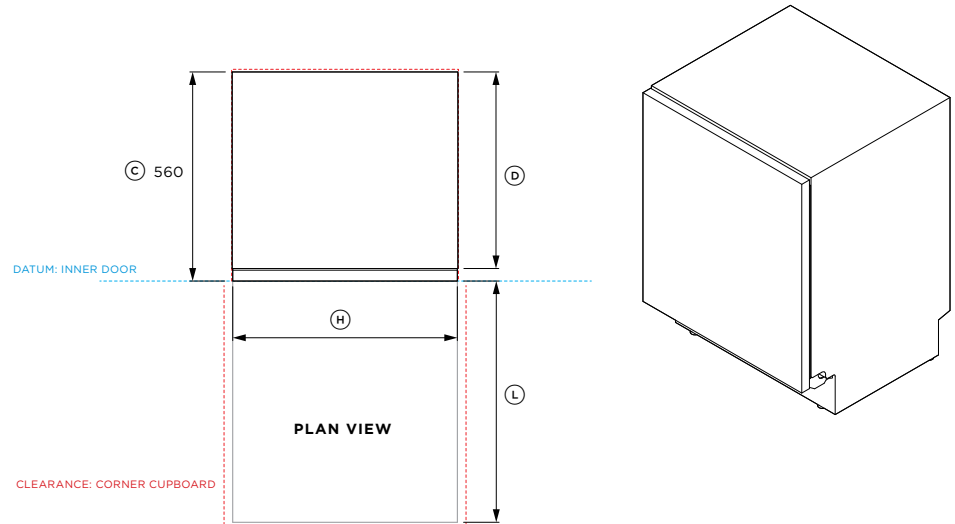
Cavity Dimensions	mm
Ⓐ Height of cavity**	820 - 880
Ⓑ Minimum width of cavity	600
Ⓒ Minimum depth of cavity*	560

*Excludes front panel and handle.

**Depending on adjustment of levelling feet.

The models shown in this Planning Guide may not be available in all markets and are subject to change at any time. Product specifications may vary from those shown. This Planning Guide should not be used as installation guidance for any product. Further information is required to safely and correctly install the products featured here. Specific installation guidance will be available with the product on delivery and on our website fisherpaykel.com

DATA SHEETS



Model no:
DW60U4EI3 Series 9, Integrated Heat Pump Dishwasher

Shown with:
 No door panel shown, refer to following pages.

Product Dimensions	mm
(A) Overall height of product*	820 - 880
(B) Overall width of product	598
(C) Overall depth of product	560
(D) Depth of chassis	520
(E) Top of inner door to top of chassis	6
(F) Base of inner door to top of chassis	682
(G) Base of hinge to top of chassis	701
(H) Width of inner door	594
(I) Depth of toe kick recess from front of inner door	80
(J) Door pivot from top of chassis	667.5
(K) Door pivot from front of custom panel	25
(L) Depth of open inner door	638
(M) Top of service cutout from top of chassis	690
(N) Depth of service cutout	49
(O) Height of deepest section of chassis	580

*Depending on adjustment of levelling feet.

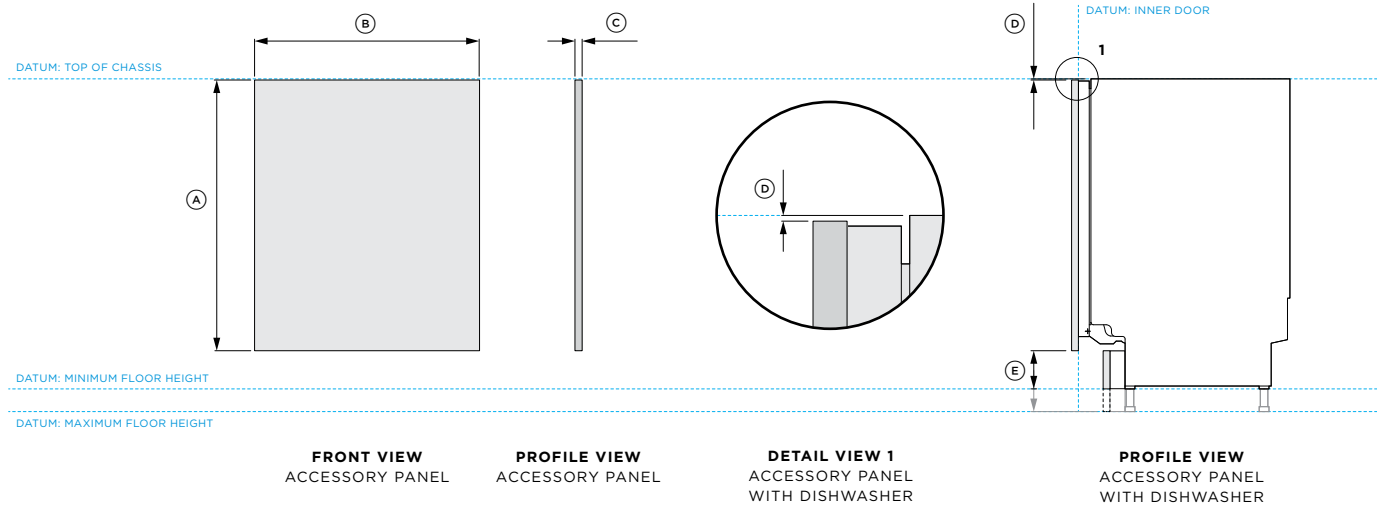
Cavity Dimensions	mm
Height of cavity	820 - 880
Minimum width of cavity	600
Depth of cavity*	
- recommended	600
- minimum	560
Minimum clearance to corner cupboard	13

* Excludes door panel

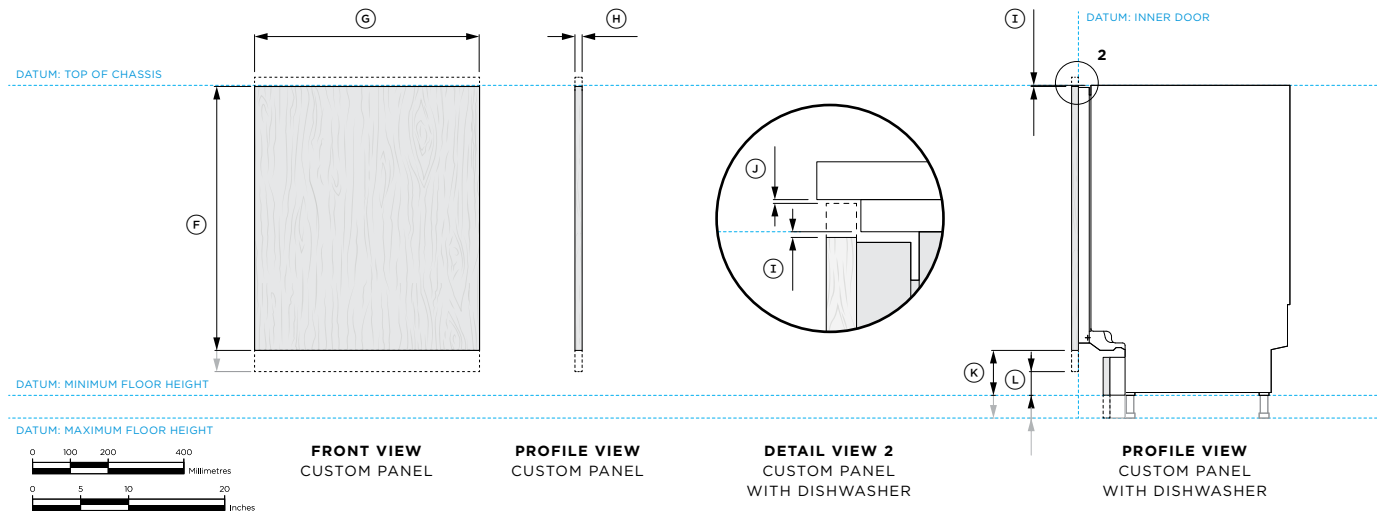
----- INDICATES CABINETRY / PRODUCT DATUM
 - - - - - INDICATES CABINETRY CLEARANCES
 - · - · - INDICATES CUTOUT

IMPORTANT NOTE: Throughout this guide, dimensions may vary by ±2mm (1/16"). Please read the installation manual for detailed information on installing the product. For full installation instructions & specifications visit fisherpaykel.com

ACCESSORY PANEL



CUSTOM PANEL



Model no:

DW60U4EI3 Series 9, Integrated Heat Pump Dishwasher

Accessory Model no:

ADDW60PX Stainless Steel Door Panel
ADDW60PB Black Stainless Steel Door Panel

Accessory Panel Dimensions		mm
(A)	Height of panel	716
(B)	Width of panel	595
(C)	Thickness of panel	18
(D)	Height of custom door panel below top of chassis	3
(E)	Visual kick height *	101 - 161
	Minimum gap between sides of custom panel and adjacent front panels	2

*Depending on adjustment of levelling feet.

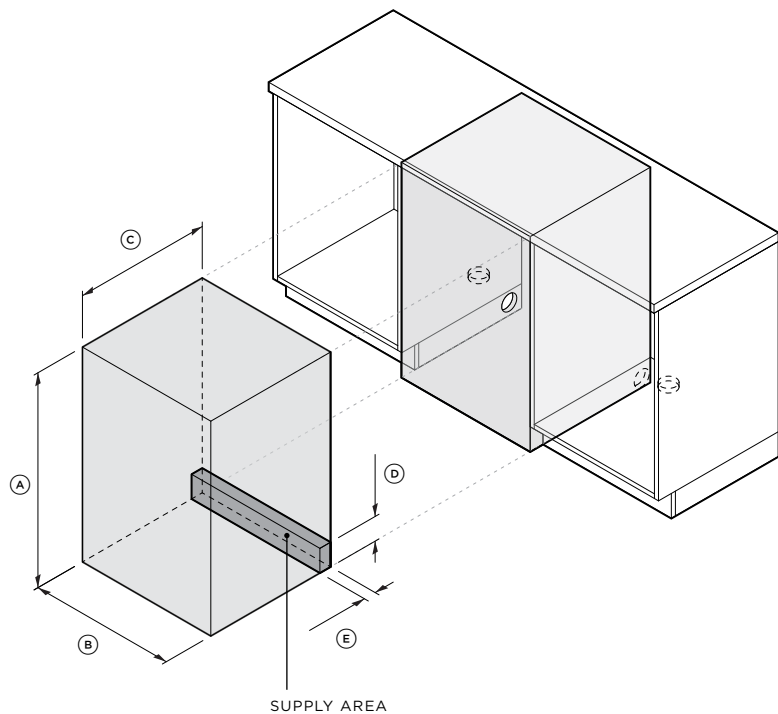
Custom Panel Dimensions		mm
(F)	Height of custom panel *	695 - 754
(G)	Minimum width of custom panel	595
(H)	Thickness of custom panel	16 - 25
(I)	Maximum height of custom door panel below top of chassis	3
(J)	Minimum gap between top of custom panel and bench	2
(K)	Visual kick height at minimum panel height **	125 - 185
(L)	Visual kick height at maximum panel height **	66 - 126
	Minimum gap between sides of custom panel and adjacent front panels	2
	Maximum weight of custom door panel including handle	10 kg

**When top of panel is positioned 3mm below top of chassis. Panel can be extended upwards in addition to stated values.
 ***Depending on adjustment of levelling feet.

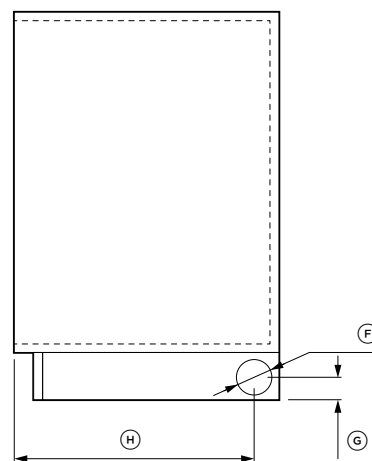
----- INDICATES CABINETRY / PRODUCT DATUM
 - - - - - INDICATES CABINETRY CLEARANCES
 - · - · - INDICATES CUTOUT

IMPORTANT NOTE: Throughout this guide, dimensions may vary by ±2mm (1/16"). Please read the installation manual for detailed information on installing the product. For full installation instructions & specifications visit fisherpaykel.com

PLANNING CONSIDERATIONS



EXPLODED ISOMETRIC VIEW
CAVITY AND CABINETY



PROFILE VIEW
CABINETY

CAVITY OVERVIEW

The product height is adjustable and can suit a range cavity heights. The supply area provides a route for services to be connected.

CABINETY SPECIFICATIONS

Cabinetry substrates, including the floor, should be moisture resistant, painted or sealed. Ensure that all substrates including the floor are free from bumps and obstructions that could prevent the dishwasher from sliding into the cavity.

CONNECTIONS

Connections must be located in adjacent cabinets, to the left or right. Ensure no other electrical wiring passes through cavity, or socket located within.

CAVITY REQUIREMENTS

	mm
Ⓐ Height of cavity*	820 - 880
Ⓑ Minimum width of cavity	600
Ⓒ Depth of cavity **	
- recommended	600
- minimum	560

*Depending on adjustment of levelling feet.

** Excludes door panel.

SUPPLY AREA

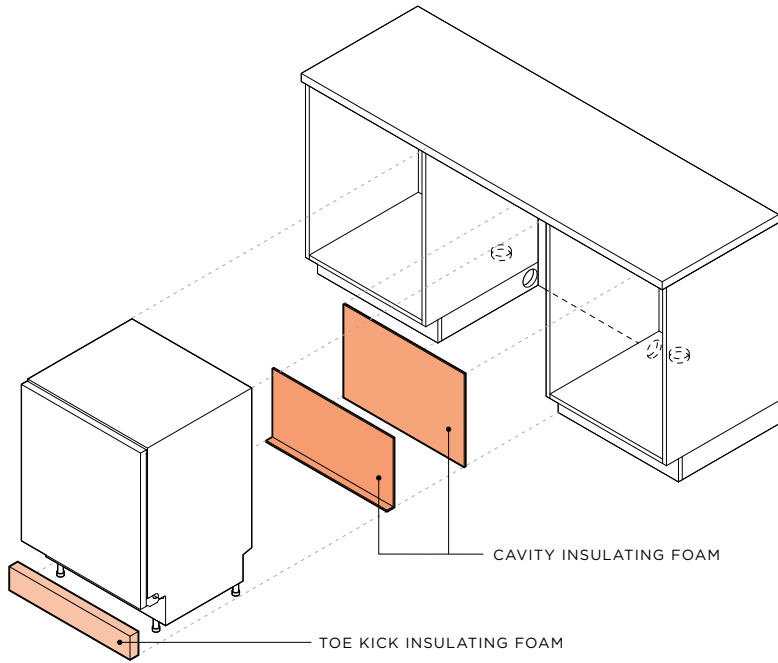
	mm
Ⓓ Height of service area*	80 - 140
Ⓔ Minimum depth of service area	40

SERVICE HOLE DIMENSIONS

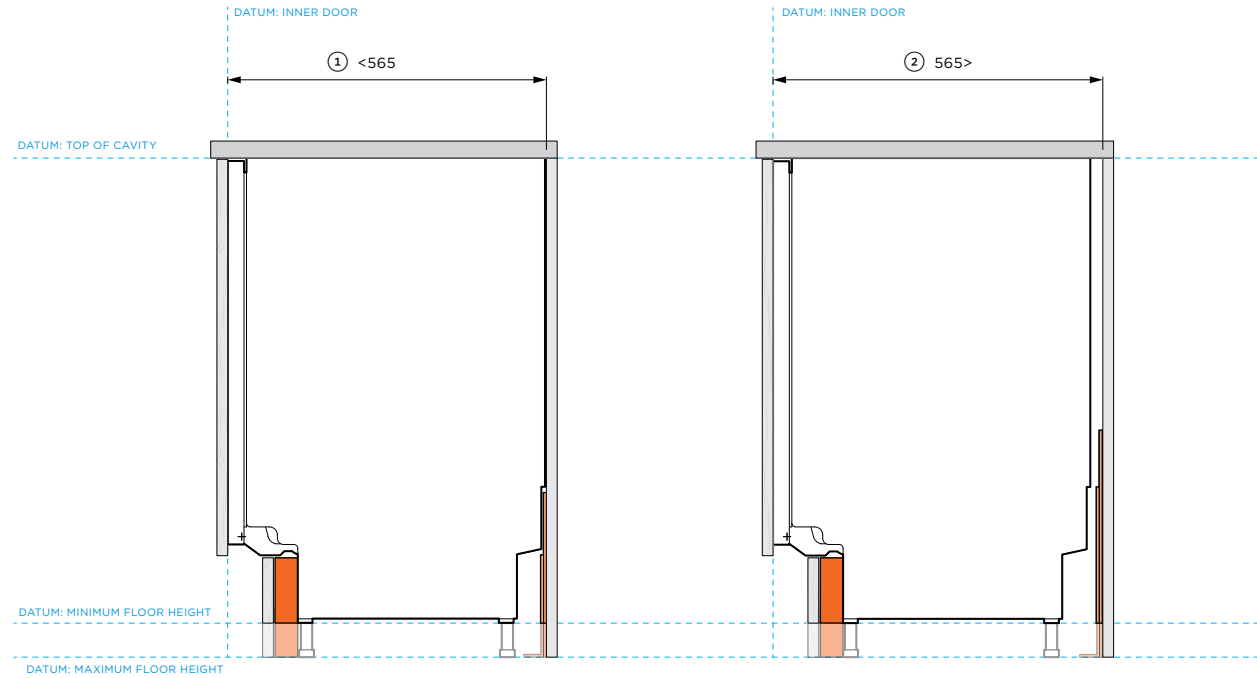
	mm
Ⓕ Minimum diameter of service hole	76
Ⓖ Height from floor to service hole centre*	38 - 98
Ⓗ Minimum distance from front of cavity to service hole centre**	522

*Depending on adjustment of levelling feet.

** Based on cavity depth of 560mm.



EXPLODED ISOMETRIC VIEW
CAVITY AND CABINERY



PROFILE VIEW
SHALLOW CAVITY

PROFILE VIEW
DEEP CAVITY

PRODUCT CAVITY FOAM

Foam must be installed behind the toe kick panel and at the rear of the product cavity. Failure to do so will void the warranty.

For installation instructions and detailed dimensions refer to the Installation Guide.

TOE KICK FOAM

Foam (supplied) is required to be fitted at the rear of the toe kick cavity sealing the gap between the chassis and floor.

CAVITY FOAM

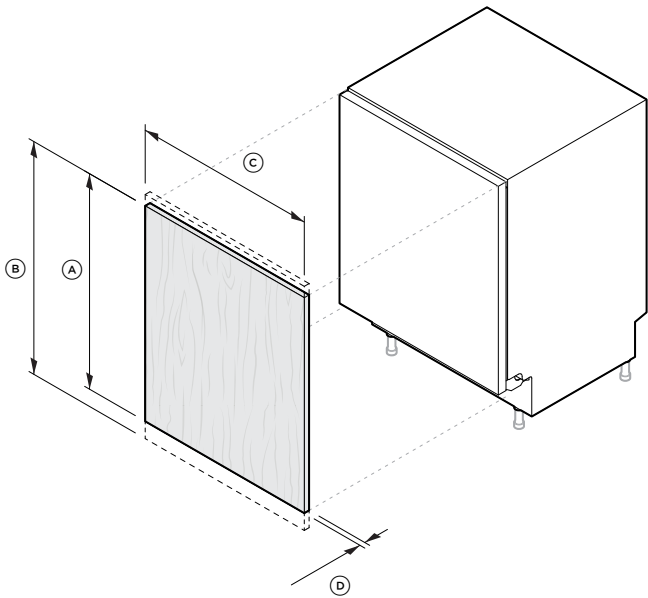
Foam with self adhesive backing (supplied) is required to be installed on the back surface of the cavity and rear of floor.

① FOAM FOR SHALLOW CAVITY, LESS THAN 565MM

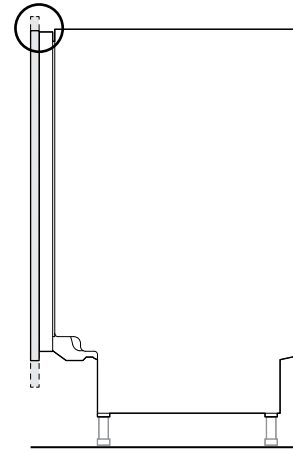
Due to limited clearance between rear of chassis and rear of cavity, foam needs to be trimmed so it does not interfere with chassis.

② FOAM FOR DEEP CAVITY, GREATER THAN 565MM

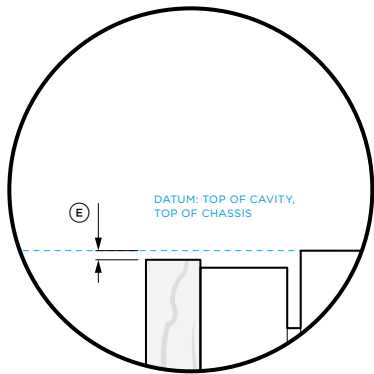
For deeper cavities the foam extends further up the rear cavity surface.



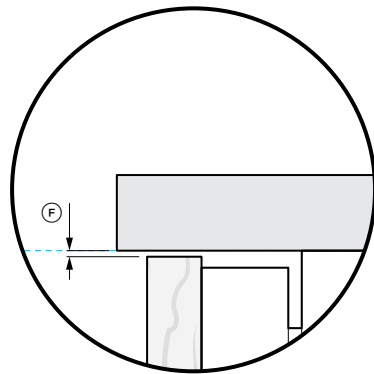
EXPLODED ISOMETRIC VIEW
PRODUCT WITH CUSTOM PANEL



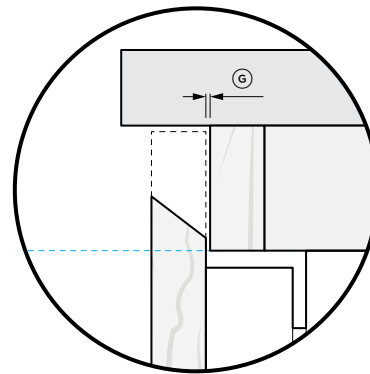
PROFILE VIEW
PRODUCT WITH CUSTOM PANEL



DETAIL VIEW
PRODUCT WITH CUSTOM PANEL



DETAIL VIEW
PRODUCT WITH BENCHTOP



DETAIL VIEW
PRODUCT WITH BENCHTOP
AND SUBSTRUCTURE

CUSTOM PANEL

The custom panel can be designed to suit a variety of cabinetry dimensions, construction methods and design requirements. The following clearances and dimensions provide guidelines to ensure product function and cabinetry integration.

PANEL EXTENSION

The custom panel can be extended upwards to suit cabinetry design and integrated handles. This may affect the ease of using the control panel.

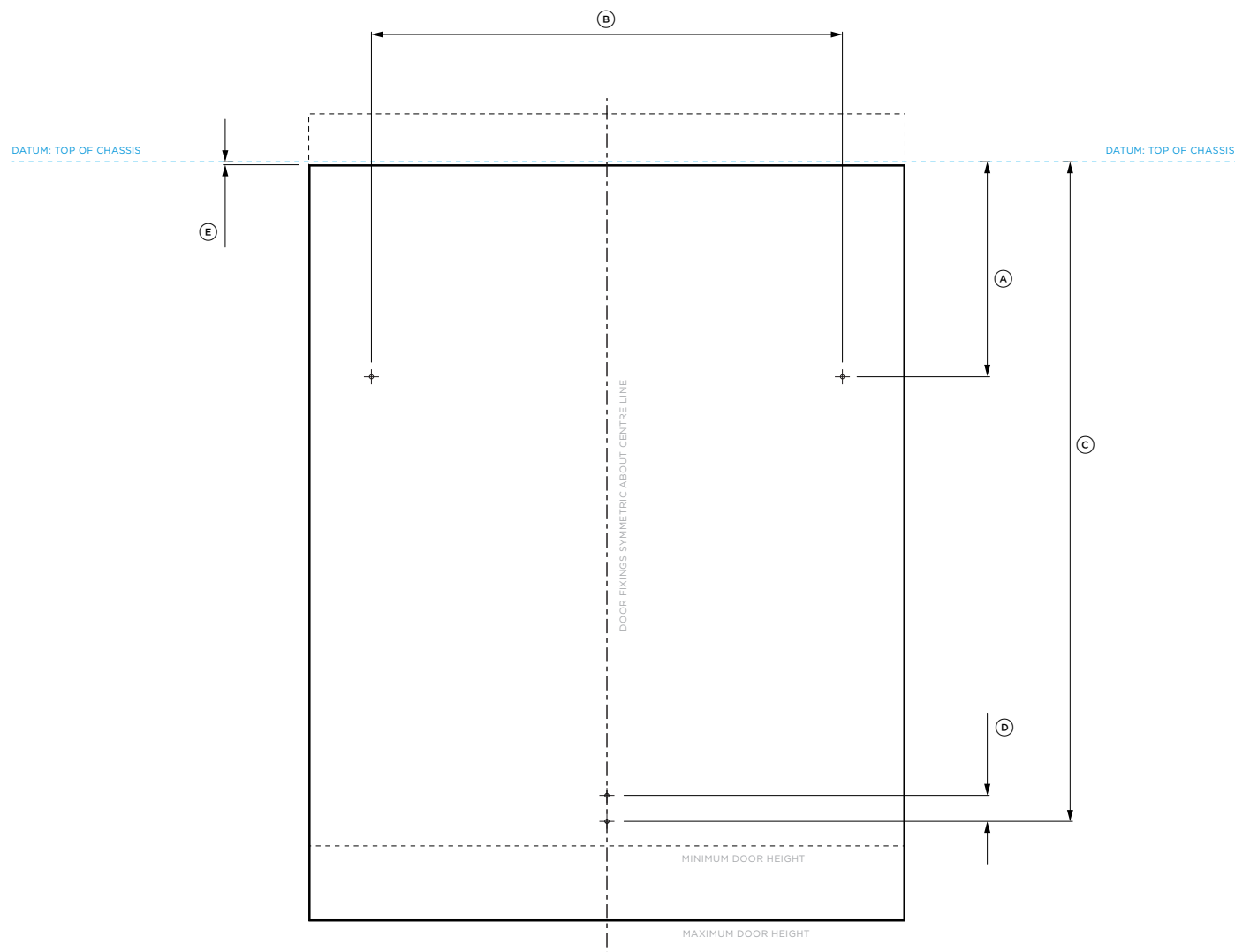
MATERIAL SPECIFICATIONS

The panel should be adequately sealed to withstand moisture (50°C @ 80% RH). The back and sides of the panel should be completely sealed with a waterproof vapour barrier, such as polyurethane, to prevent damage. Installation outside these specifications may result in condensation on cabinetry surfaces.

CUSTOM PANEL	mm
Ⓐ Minimum height of custom door panel to cover inner door*	695
Ⓑ Maximum height of custom door panel* (to ensure no door panel interference with chassis when open)	754
Ⓒ Minimum width of custom door panel	595
Ⓓ Thickness of custom door panel	16-25
Ⓔ Maximum height below top of chassis to top of custom door panel**	3
Ⓕ Minimum clearance between top of custom panel and cabinetry above	2
Ⓖ Minimum clearance between back of custom panel and cabinetry where overlaps occur	2
Minimum clearance between sides of custom panel and adjacent front panels	2
Maximum weight of custom door panel including handle	10kg

* When top of panel is positioned 3mm below top of chassis. Panel can be extended upwards.

** To ensure control panel is not visible.



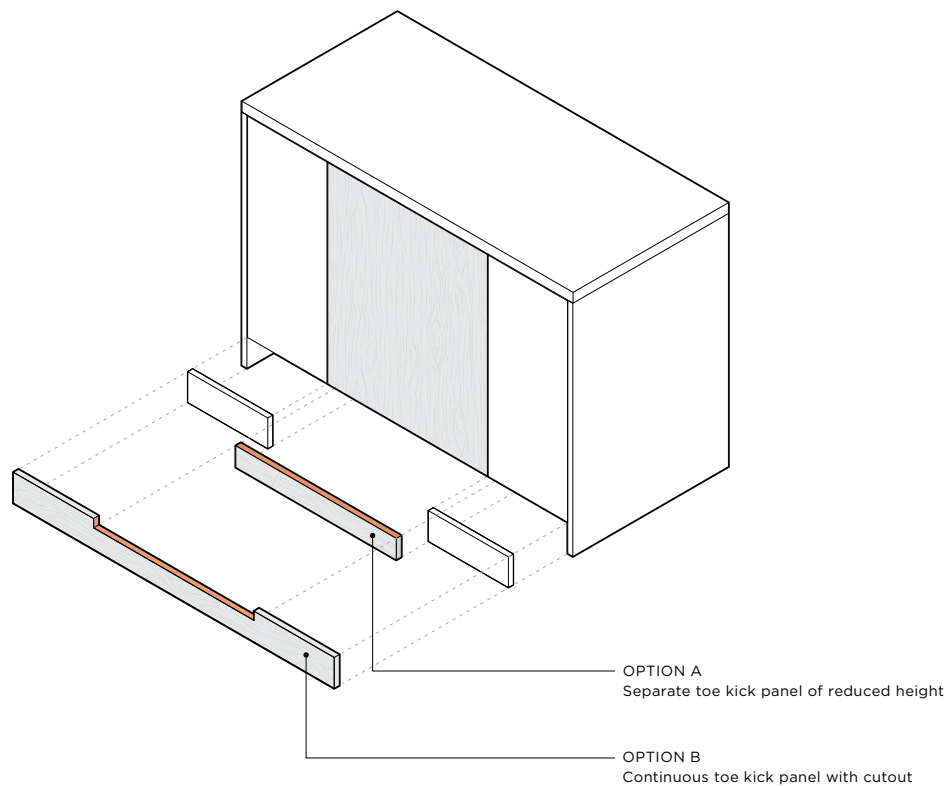
CUSTOM PANEL PREPARATION

Custom door panels can be prepared with pilot holes for door fasteners. Alternatively a template is provided with the product for drilling during installation.

CUSTOM PANEL FIXING DIMENSIONS		mm
Ⓐ	Height from upper pilot holes to top of chassis datum	214
Ⓑ	Distance between upper pilot holes	470
Ⓒ	Height from lowest pilot hole to top of chassis datum	622
Ⓓ	Distance between lower pilot holes	26
Ⓔ	Maximum height of custom door panel below top of chassis datum *	3

* Panel can be extended above top of chassis.

The models shown in this Planning Guide may not be available in all markets and are subject to change at any time. Product specifications may vary from those shown. This Planning Guide should not be used as installation guidance for any product. Further information is required to safely and correctly install the products featured here. Specific installation guidance will be available with the product on delivery and on our website fisherpaykel.com



EXPLODED ISOMETRIC VIEW
CABINETY WITH TOE KICK PANEL OPTIONS

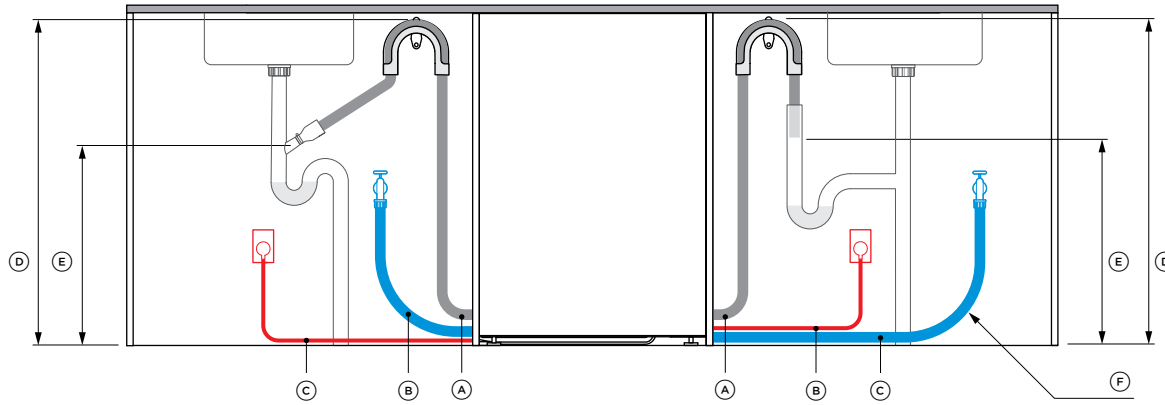
TOE KICK CONSIDERATIONS

Toe kick panel height is determined by door swing clearance requirements. Depending on toe kick depth and door panel length, the toe kick panel height may need to be shorted to achieve door swing clearances.

The toe kick panel can be separate or continuous.

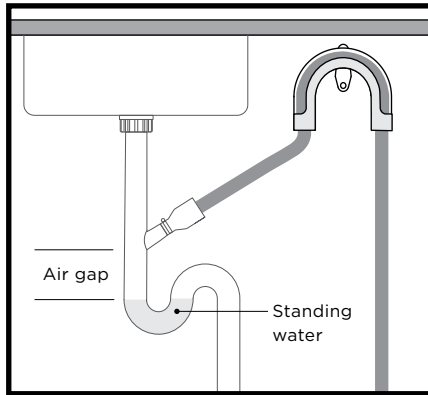
IMPORTANT

The toe kick panel must be easily removable to allow access to the product for servicing.

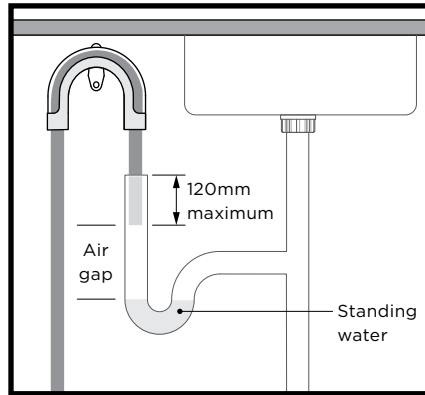


FRONT VIEW
SPIGOT INSTALLATION

FRONT VIEW
STANDPIPE INSTALLATION



DETAIL VIEW
SPIGOT INSTALLATION



DETAIL VIEW
STANDPIPE INSTALLATION

SERVICE REQUIREMENTS

Services can be routed to the left or right.

All connections, electrical and plumbing, MUST be made in adjacent cabinets.

Any wiring that passes through the dishwasher cavity must be rated IP54. No electrical connections can be made in the product cavity.

Ensure electrical connections comply with all local standards.

SERVICE DIMENSIONS

	LEFT SIDE	RIGHT SIDE
A Length of drain hose	1980	1650
B Length of power cord*	950	1450
C Length of inlet hose	1450	1300
D Distance from floor to top of hose support	750 - 883	750 - 883
E Minimum distance from floor to end of drain hoses**	500	500
F Minimum inlet hose radius	200	200

* Excluding plug

** Standpipe and spigot installation

The models shown in this Planning Guide may not be available in all markets and are subject to change at any time. Product specifications may vary from those shown. This Planning Guide should not be used as installation guidance for any product. Further information is required to safely and correctly install the products featured here. Specific installation guidance will be available with the product on delivery and on our website fisherpaykel.com

