

## 60CM CONTEMPORARY OVENS

---

# PLANNING GUIDE

---

**SERIES 7 PYROLYTIC OVEN** | OB60SACPGX5, OB60SACPGB5

Note: These models are only available in England, Scotland and Wales.

**INTRODUCTION**

This comprehensive planning guide provides you with the framework and tools to achieve your desired design outcome with Fisher & Paykel appliances. In this guide, you will find a range of conceptual, detailed, and dimensional product information to bring your ideas to life and create spaces that truly reflect your vision.

**SUPPORT**

For additional design planning and installation support please contact the Fisher & Paykel design support team.  
**designsupport@fisherpaykel.com**

**NOTES**

The models shown in this Planning Guide may not be available in all markets and are subject to change at any time. Refer to our website [fisherpaykel.com](http://fisherpaykel.com) for the latest document version. Product specifications may vary from those shown.  
 This Planning Guide should not be used as installation guidance for any product. Specific installation guidance will be available with the product on delivery and on our website.

CONCEPT DESIGN	PAGE
SPECIFICATION GUIDE	
Pyrolytic Oven	4
Pyrolytic Oven Specification	5

DEVELOPED AND DETAILED DESIGN	PAGE
DATA SHEETS	
Pyrolytic Oven	7
PLANNING CONSIDERATIONS	
Cabinetry Preparation	9

DEVELOPED AND DETAILED DESIGN	PAGE
-------------------------------	------

# **SPECIFICATION GUIDE**

## SERIES 7



**OVERVIEW**

Designed to be distinctive and timeless, this Contemporary oven complements a wide range of kitchen styles. The pyrolytic self-cleaning function breaks down food residue for an easy clean, while the dial control with illuminated icons offers simple operation of 9 versatile functions including Air Fry and Pizza Bake.

**PRODUCTS**

OB60SACPGX5 - Brushed Silver Glass  
60cm Series 7 Contemporary Pyrolytic Oven

OB60SACPGB5 - Black  
60cm Series 7 Contemporary Pyrolytic Oven

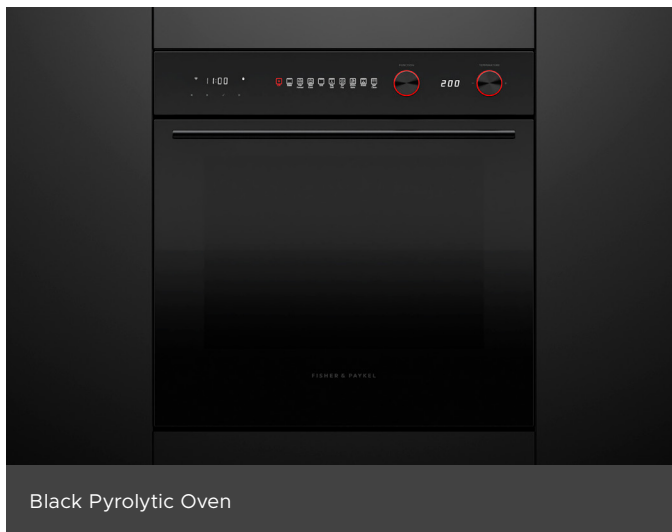
Note: These models are only available in England, Scotland and Wales.

**SERIES & STYLE**

Series 7  
Contemporary

**FEATURES**

- 1 Contemporary style is distinctive and timeless to complement a wide range of kitchen styles
- 2 Self-cleaning pyrolytic function breaks down food residue for an easy clean
- 3 Premium soft open and close door
- 4 Generous 72L useable capacity
- 5 Dial control with illuminated icons for simple operation
- 6 Even heat distribution thanks to AeroTech™ technology
- 7 9 versatile functions including Air Fry and Pizza Bake



**ACCESSORIES**

- 1 Pyro-proof Side Ladders
- 2 Telescopic Sliding Runners
- 3 Wire Shelf (x2)
- 4 Multi-functional Air Fry Tray
- 5 Roasting Dish
- 6 Flat Brushed Baking Tray

The models shown in this Planning Guide may not be available in all markets and are subject to change at any time. Product specifications may vary from those shown. This Planning Guide should not be used as installation guidance for any product. Further information is required to safely and correctly install the products featured here. Specific installation guidance will be available with the product on delivery and on our website [fisherpaykel.com](http://fisherpaykel.com)

**SPECIFICATIONS**

**MODEL NUMBER**

OB60SACPGX5 60cm Series 7 Contemporary Pyrolytic Oven - Brushed Silver Glass

OB60SACPGB5 60cm Series 7 Contemporary Pyrolytic Oven - Black

**ELECTRICAL**

Dedicated Circuit (A) 16

Rated Power (W) 2800 - 3300

Supply (Hz) 50

Voltage (V) 220 - 240

Connection Hard-wired, min 1500mm\*

\*The electrician is required to provide a free length of power supply cable extending at least 1500mm in front of the bottom edge of the cavity opening.

Note: For multi-residential installations, use the Rated Power to calculate the demand.

**CAPACITY**

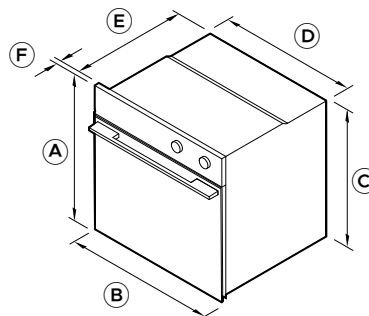
Total Oven capacity 85L

**WEIGHTS**

Packaged 52kg

Unpackaged 43kg

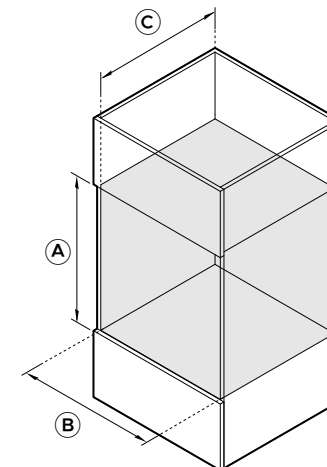
**PRODUCT DIMENSIONS**



ISOMETRIC VIEW

	mm
<b>A</b> Overall product height	598
<b>B</b> Overall product width	596
<b>C</b> Chassis height	575
<b>D</b> Chassis width	556
<b>E</b> Chassis depth	545
<b>F</b> Front frame depth (excludes handle)	20
Door open depth at 90° (from product front)	463

**CAVITY DIMENSIONS**

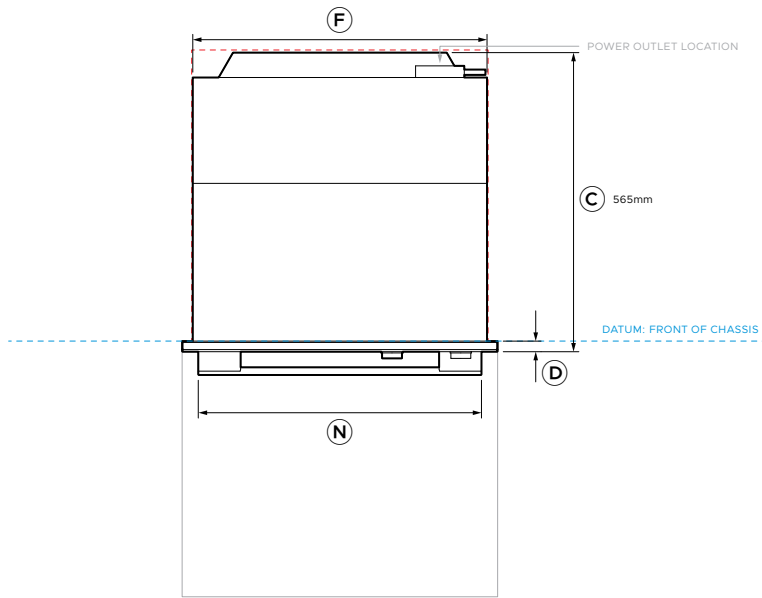


ISOMETRIC VIEW

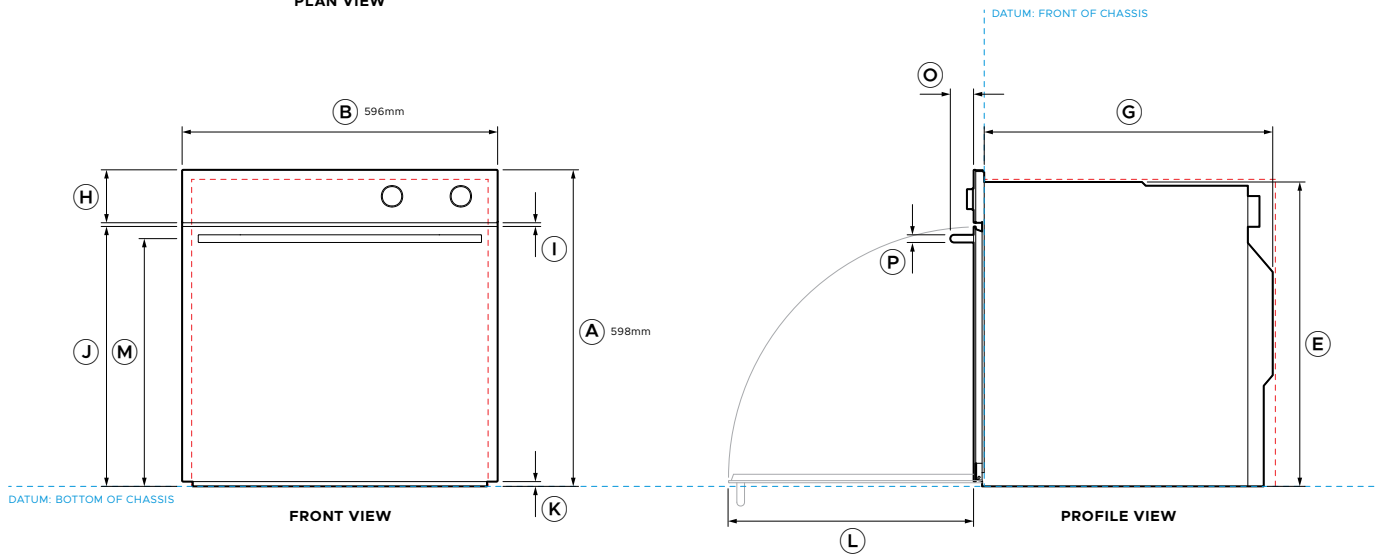
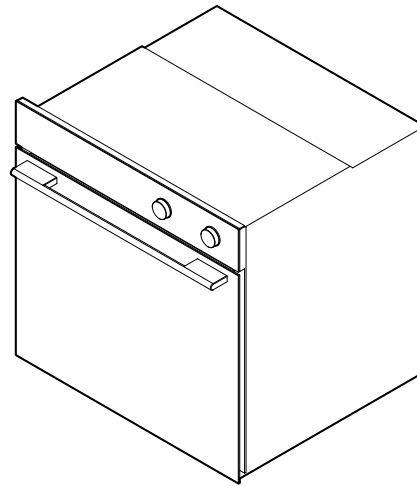
	mm
<b>A</b> Cavity height	min 580
<b>B</b> Cavity width	min 560
<b>C</b> Cavity depth (from chassis front datum)	min 550

The models shown in this Planning Guide may not be available in all markets and are subject to change at any time. Product specifications may vary from those shown. This Planning Guide should not be used as installation guidance for any product. Further information is required to safely and correctly install the products featured here. Specific installation guidance will be available with the product on delivery and on our website fisherpaykel.com

## DATA SHEETS

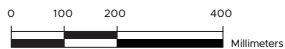


PLAN VIEW



FRONT VIEW

PROFILE VIEW



**Model no:**

<b>OB60SACPGX5</b>	60cm Series 7 Contemporary Pyrolytic Oven - Brushed Silver Glass
<b>OB60SACPGB5</b>	60cm Series 7 Contemporary Pyrolytic Oven - Black

**Product Dimensions**

	<b>mm</b>
<b>A</b> Overall product height	598
<b>B</b> Overall product width	596
<b>C</b> Overall product depth (excludes handle)	565
<b>D</b> Front frame depth (excludes handle)	20
<b>E</b> Chassis height	575
<b>F</b> Chassis width	556
<b>G</b> Chassis depth	545
<b>H</b> Control panel height	100
<b>I</b> Door-to-control panel gap	7
<b>J</b> Door upper edge height (from chassis base datum)	491
<b>K</b> Door lower edge height (from chassis base datum)	9
<b>L</b> Door open depth at 90° (from product front)	463
<b>M</b> Handle centreline height (from chassis base datum)	468
<b>N</b> Handle width	535
<b>O</b> Handle depth (projection)	44
<b>P</b> Handle thickness	15

**Minimum Clearances**

	<b>mm</b>
Cavity height	min 580
Cavity width	min 560
Cavity depth (from chassis front datum)	min 550
Front frame clearance - top & sides	min 2

----- INDICATES PRODUCT DATUM  
 - - - - - INDICATES CABINETRY CLEARANCES

**IMPORTANT NOTE:** Throughout this guide, dimensions may vary by ±2mm (1/16"). Please read the installation manual for detailed information on installing the product. For full installation instructions & specifications visit [fisherpaykel.com](http://fisherpaykel.com)

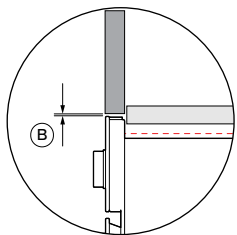
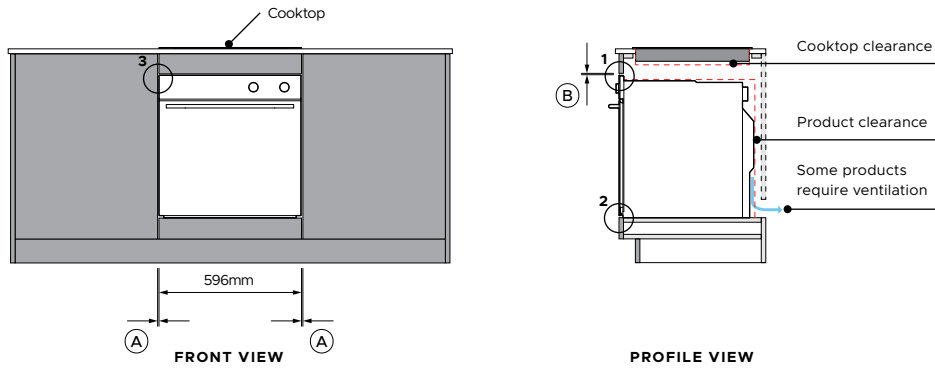
## PLANNING CONSIDERATIONS

**CABINETRY CLEARANCES**

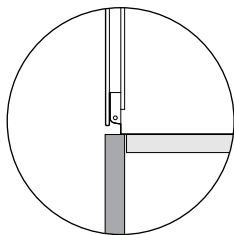
CLEARANCES		mm
<b>A</b>	Front panel clearance - sides	min 2
<b>B</b>	Front panel clearance - top	min 2

**UNDERBENCH**

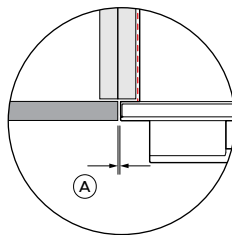
If installing a cooktop above the oven, ensure adequate clearance is provided for the cooktop as per the cooktop manufacturer's instructions.



**DETAIL 1  
PROFILE VIEW**



**DETAIL 2  
PROFILE VIEW**



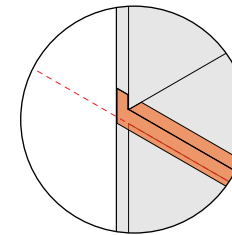
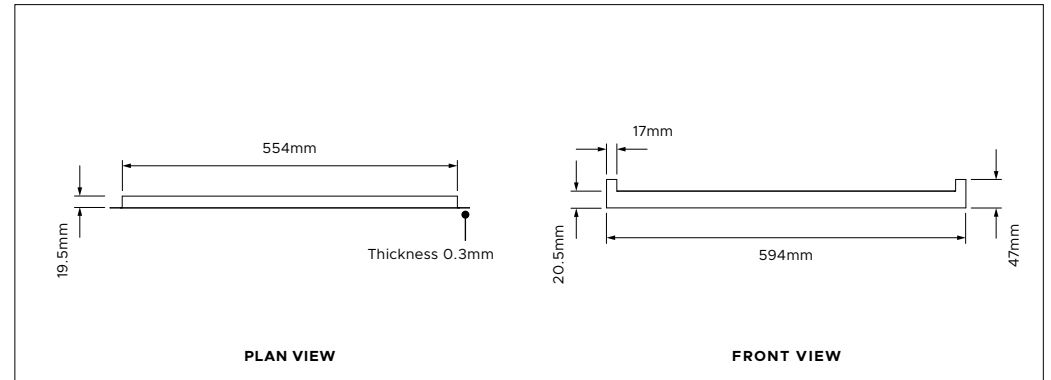
**DETAIL 3  
PLAN VIEW**

Products require no bottom clearance between product to cabinetry front panel or appliance.

**OVEN CABINETRY TRIM (OPTIONAL)**

An optional black cabinetry trim is supplied with all ovens.

Prior to installation, check the trim height against dividing or supporting shelves. If required, score and cut the trim to the appropriate height to prevent interference.



**CABINETRY FRONT  
ISOMETRIC VIEW**

The models shown in this Planning Guide may not be available in all markets and are subject to change at any time. Product specifications may vary from those shown. This Planning Guide should not be used as installation guidance for any product. Further information is required to safely and correctly install the products featured here. Specific installation guidance will be available with the product on delivery and on our website [fisherpaykel.com](http://fisherpaykel.com)

