

HWF12PXB2, HWF12PXW2

# 12kg 600 Series Front Loader Washing Machine, Ultra Fresh Air, UV Protect

Haier



HWF12PXB2



HWF12PXW2

Height  
850mm

Width  
595mm

Depth  
679mm

Weight (Packaged)  
89kg

Weight (Product)  
85kg

## FEATURES

- 12kg capacity to wash large loads with ease
  - 18 cycles including Wool, Shirts and Refresh with Steam
  - 5-star water rating and 5-star energy rating for efficient washing
  - Ultra Fresh Air, designed to keep clothes fresh for up to 12 hours and the drum dry
  - Specialised UV Protect technology kills more than 99.99% of bacteria\*
  - Smart Dosing measures and dispenses the right amount of detergent and softener based on the load weight
  - Anti-Bacterial Treatment in the gasket keeps laundry hygienic
  - Wi-Fi connectivity with the SmartHQ™ app to start or stop cycles and get alerts when the washing is done
  - Available in White or Dark, designed to pair with our matching Haier Heat Pump Dryer
- \*Independently tested to eliminate greater than 99.99% of Staphylococcus aureus and Escherichia coli using the Cotton cycle plus UV Sanitise wash option

## ACCESSORIES

- ASKDPXB1 (Stacking Kit Dark)
- ASKDPXW1 (Stacking Kit White)

The models shown in this Specification Guide (SG) may not be available in all markets and are subject to change at any time. Product specifications may vary from those shown. This SG should not be used as installation guidance for any product. Further information is required to safely and correctly install the products featured here. Specific installation guidance will be available with the product on delivery and on our website [haier.com](http://haier.com)

HDHP10PXB1, HDHP10PXW1

# 10kg 600 Series Heat Pump Dryer, Ultra Reverse Drum, Ultra Sense

Haier



HDHP10PXB1



HDHP10PXW1

Height

845mm

Width

595mm

Depth

697mm

Weight (Packaged)

64kg

Weight (Product)

58kg

## FEATURES

- 10kg capacity to dry large loads with ease
- 20 cycles including Allergy, Wool and Down
- 10-star energy rating for energy efficient drying
- Ultra Sense technology, designed for a more thorough dry
- Ultra Reverse Drum changes rotation direction every four minutes to reduce tangling for a more even dry
- i-Refresh Pro technology releases steam and warm air into the drum to refresh and reduce wrinkles in clothes that have been folded or stored
- Triple Variable Speed technology controls the speed of the drum, fan and compressor to optimise drying in every cycle
- Reversible door for flexible installation
- Wi-Fi connectivity with the SmartHQ™ app to start or stop cycles and get alerts when the washing is done
- Available in White or Dark, designed to pair with our matching Haier Front Load Washing Machine

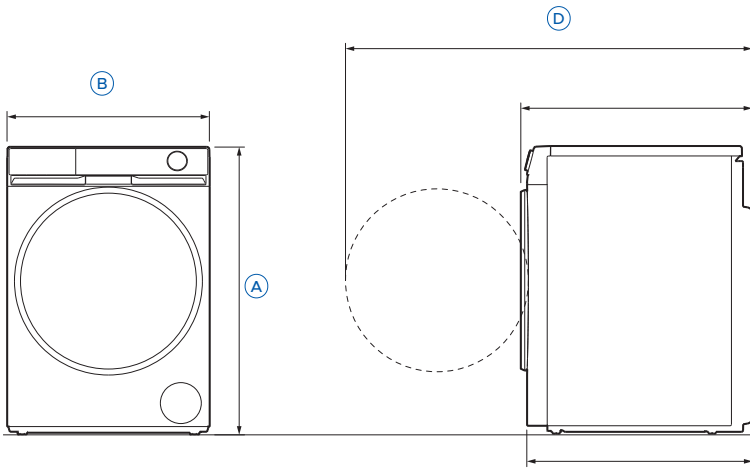
## ACCESSORIES

- ASKDPXB1 (Stacking Kit Dark)
- ASKDPXW1 (Stacking Kit White)

The models shown in this Specification Guide (SG) may not be available in all markets and are subject to change at any time. Product specifications may vary from those shown. This SG should not be used as installation guidance for any product. Further information is required to safely and correctly install the products featured here. Specific installation guidance will be available with the product on delivery and on our website [haier.com](http://haier.com)

# Product Overview

## PRODUCT DIMENSIONS

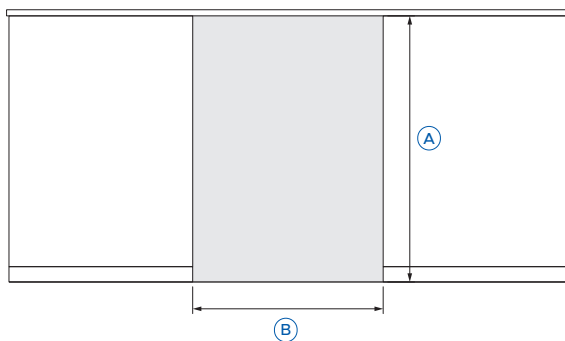


FRONT VIEW

SIDE VIEW

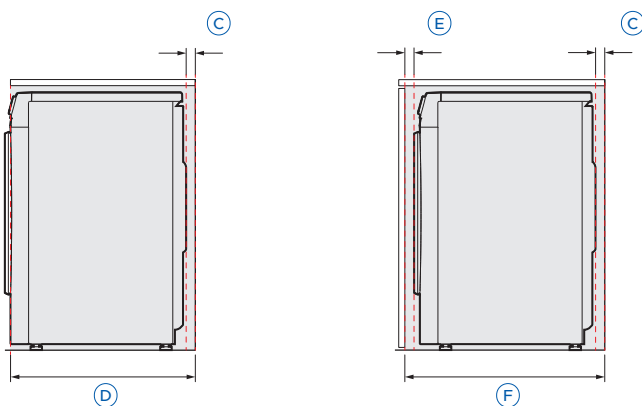
		mm
A	Overall height	850
B	Overall width	595
C	Overall depth (door closed)	679
D	Overall depth (door open)	1169

## CAVITY DIMENSIONS



FRONT VIEW

		mm
A	Minimum height of cavity	865
B	Minimum width of cavity	622
C	Minimum clearance at back of cavity	30
D	Minimum depth of cavity (excluding product door)	707
E	Minimum clearance at front of cavity for in cupboard	30
F	Minimum depth of cavity in cupboard	737



SIDE VIEW

SIDE VIEW - CUPBOARD

Note: If installing behind a cabinetry door, it must be hinged on the same side as the washing machine. There must be a minimum clearance of 30mm from the front of the washing machine door to the internal face of the cabinetry door for the product to operate safely.

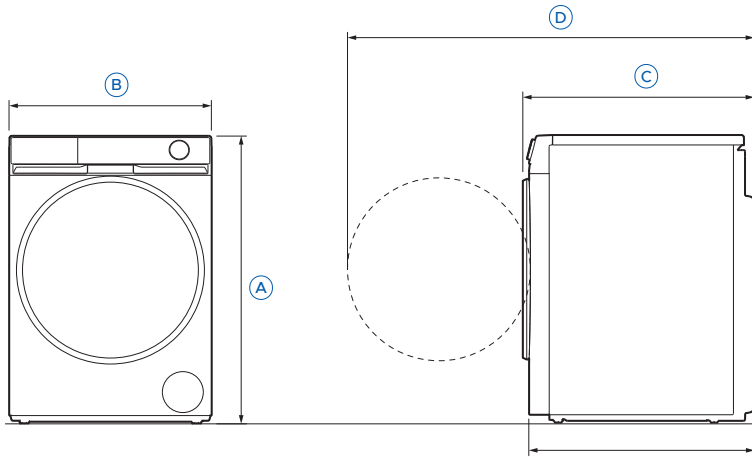
The enclosed space must be provided with sufficient ventilation to meet local building code requirements or the door must be open while the product is operating.

## SERVICES

- Supply 220-240 V, 50 Hz
- Service 10 A
- Connection Flex cord with plug

# Product Overview

## PRODUCT DIMENSIONS

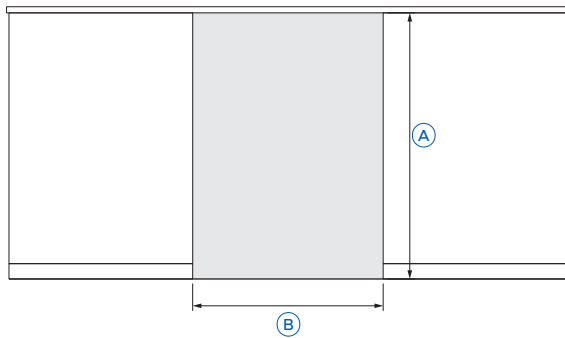


FRONT VIEW

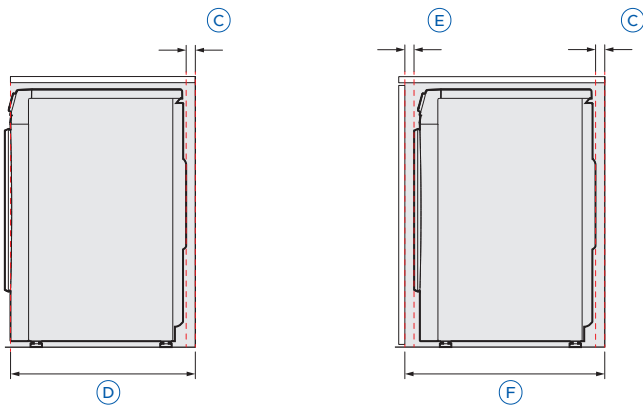
SIDE VIEW

		mm
A	Overall height	845
B	Overall width	595
C	Overall depth (door closed)	697
D	Overall depth (door open)	1188

## CAVITY DIMENSIONS



FRONT VIEW



SIDE VIEW

SIDE VIEW - CUPBOARD

		mm
A	Minimum height of cavity	860
B	Minimum width of cavity	622
C	Minimum clearance at back of cavity	10
D	Minimum depth of cavity (excluding product door)	707
E	Minimum clearance at front of cavity for in cupboard	30
F	Minimum depth of cavity in cupboard	737

Note: If installing behind a cabinetry door, it must be hinged on the same side as the washing machine. There must be a minimum clearance of 30mm from the front of the washing machine door to the internal face of the cabinetry door for the product to operate safely.

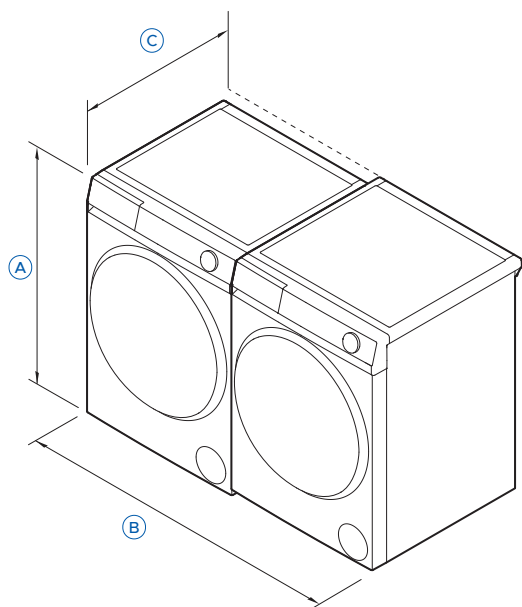
The enclosed space must be provided with sufficient ventilation to meet local building code requirements or the door must be open while the product is operating.

## SERVICES

• Supply	220-240 V, 50 Hz
• Service	10 A
• Connection	Flex cord with plug

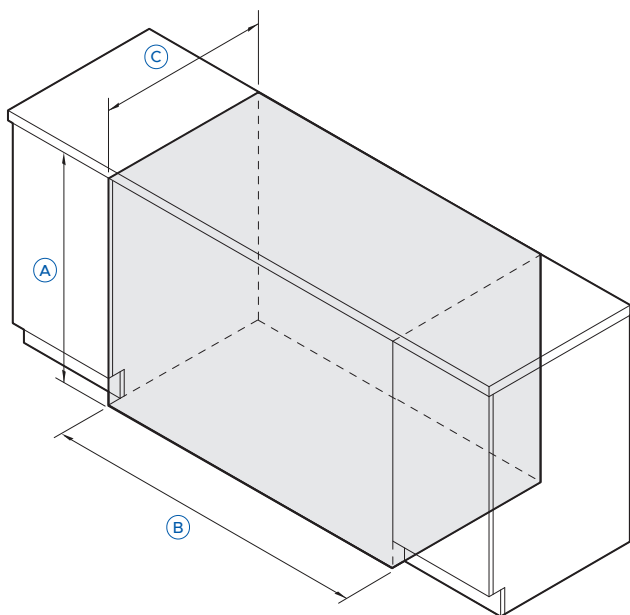
# Product Overview

## PRODUCT DIMENSIONS



		mm
A	Minimum height	850
B	Overall width	1207
C	Overall depth	697

## CAVITY DIMENSIONS

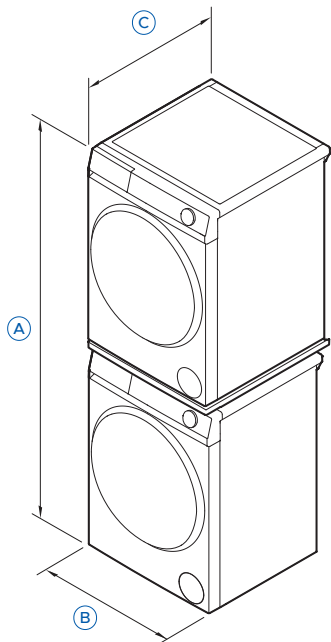


		mm
A	Minimum height of cavity	865
B	Minimum width of cavity	1234
C	Minimum depth of cavity (excluding product door)	707
	Minimum depth of cavity in cupboard	737

Note: For more details on ventilation and behind cupboard installation requirements, refer to the individual product overview pages.

# Product Overview

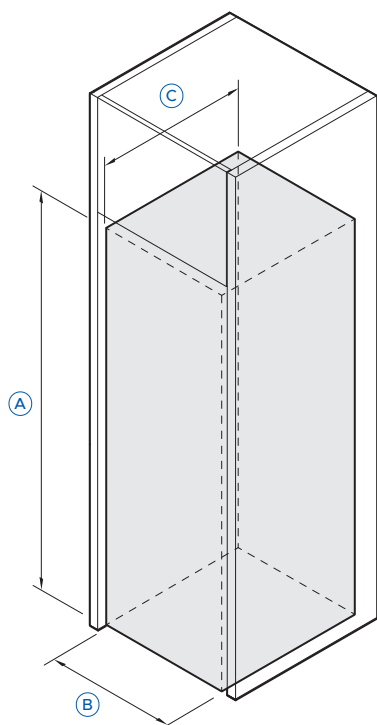
## PRODUCT DIMENSIONS



		mm
A	Minimum height*	1696
B	Overall width	595
C	Overall depth	697

\*Including stacking kit height (sold separately).

## CAVITY DIMENSIONS



		mm
A	Minimum height of cavity	1711
B	Minimum width of cavity	622
C	Minimum depth of cavity (excluding product door)	767
	Minimum depth of cavity in cupboard	737

Note: For more details on ventilation and behind cupboard installation requirements, refer to the individual product overview pages.