

FISHER & PAYKEL

WARMING DRAWER

MINIMAL

WB60SMG1-SET, WB60SMB1-SET & WB60SMTB1-SET

CONTEMPORARY

WB60SDB1-SET & WB60SDTB1-SET

INSTALLATION GUIDE

EU

CONTENTS

Safety and warnings	4
Warming drawer models	5
Unpack your product	6
Electrical specifications	6
Parts supplied	7
Tools required	7
Product dimensions – 60cm models	8
Product dimensions – 60cm tall models	9
Cabinetry dimensions – 60cm models	10
Cabinetry dimensions – 60cm tall models	11
Installation options	12
Installing the drawer	14
Adjusting the depth	15
Adjusting the height	16
Installer checklist	17

⚠ WARNING!



Tip Hazard

This product may tip. Keep children away and take care. Failure to follow this advice may result in injury.

- Drawer must be secured in place by supplied screws.
- Ensure there is a fixed shelf directly above the drawer if it is not installed under another product.

⚠ WARNING!



Cut Hazard

Failure to use caution could result in injury.

- Take care: some edges may be sharp.
- Do not put fingers in the drawer when closing.

⚠ WARNING!



Electric Shock Hazard

Failure to follow this advice may result in electrical shock or death.

- If the product is damaged, switch the appliance off and disconnect it from the mains to avoid possible electric shock.

⚠ WARNING!



Weight Hazard

Failure to follow this advice may result in damage or personal injury.

- Ensure the bottom shelf of the cabinetry can fully support the weight of combined appliances.

SAFETY AND WARNINGS

READ AND SAVE THIS GUIDE

WARNING!

To reduce the risk of fire, injury to persons or damage when using the appliance, follow the important safety guides listed below. Read all the instructions before using the appliance.

Installation

- Please make this information available to the person installing the product.
- The appliance must be installed by a qualified installer, or Fisher & Paykel trained and supported service technician to avoid faulty electrical connection.
- Ensure the installation complies with all clearance requirements and applicable standards and regulations.
- When installed in combination with a companion product, the companion product can be placed directly onto the appliance. A built-in shelf at the base of the cabinetry must be able to support the weight of both products.
- Ensure the cabinetry is square and level and with correct dimensions.
- If installing the appliance directly underneath an oven, ensure you do not damage the oven's lower trim. Fisher & Paykel does not accept any responsibility for any damage resulting from incorrect installation.
- Before installing the appliance, inspect for any signs of damage. Do not install or use damaged appliances.
- Be careful when stacking the appliances on top of each other to avoid damage to the appliances.

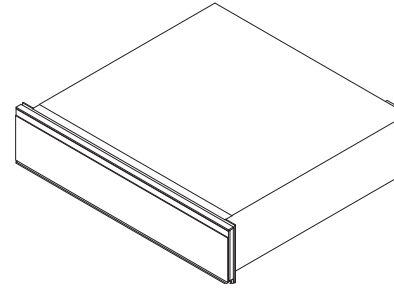
Electrical

- All connections for electrical power and earthing must be done by a qualified electrician and must comply with local codes and ordinances.
- Before installation, ensure that the voltage and frequency listed on the data plate corresponds with the household electrical supply.
- When combining with another appliance, ensure each appliance has its own power outlet. Avoid sharing the power point to prevent accidental switching off of the appliance.
- Ensure your appliance is properly grounded (earthed).
- Connect the drawer to a properly rated, protected and sized power supply circuit to avoid electrical overload.
- Do not use an extension cord or a portable electrical outlet device (e.g. multi-outlet outlet box) to connect the drawer to the power supply. Ensure the power supply cord is located so that it will not be stepped on, tripped over or otherwise subject to damage or stress.
- Ensure there is a switched outlet in an easily accessible area within 900mm of the centre rear of the product.

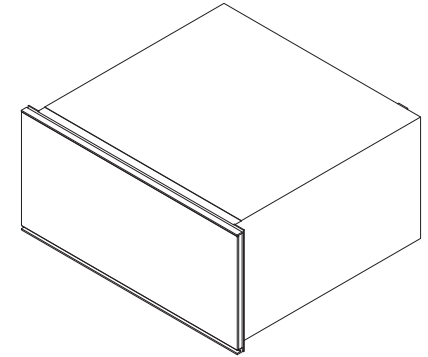
Servicing

- Do not repair or replace any part of the appliance unless specifically recommended in the user guide. All other servicing should be done by a Fisher & Paykel trained and supported service technician or qualified person.
- Always disconnect the power supply before doing any installation, maintenance or repair work.
- If the power supply cord is damaged, it must be replaced by a qualified electrician or Fisher & Paykel trained and supported service technician.

WARMING DRAWER MODELS



WB60SMG1-SET, WB60SMB1-SET
& WB60SDB1-SET

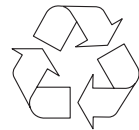
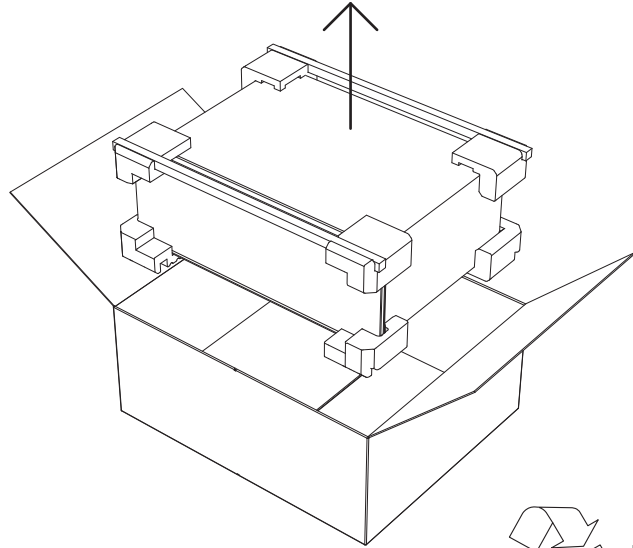


WB60SMTB1-SET
& WB60SDTB1-SET

UNPACK YOUR PRODUCT

Remove the warming drawer and accessories box from the packaging. Recycle the materials that can be reused. Dispose packaging materials in accordance with local regulations on waste disposal.

Inspect the warming drawer for any signs of damage. Do not install the warming drawer if it has been damaged. If the product is damaged, contact your local Fisher & Paykel dealer.



**RECYCLE
RESPONSIBLY**

ELECTRICAL SPECIFICATIONS

All electrical work must be done by a qualified electrician, or a Fisher & Paykel trained and supported service technician.

Supply	220-240 VAC, 60 Hz
Service	10 amp circuit
Maximum Power	930 W
Power outlet*	3-prong grounding-type
Power cord (total length)	1800mm

* The power outlet must be earthed and located within 900mm of the centre rear of the product.

PARTS SUPPLIED



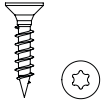
Service & Warranty (1)



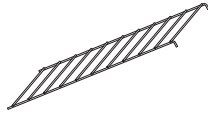
User guide (1)



Installation guide (1)



T20 star head screw 4x20
WB60SDT models (4)
WB60SDE models (2)

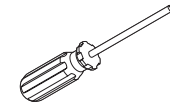


Wire shelf (1)
For WB60SDTEB Tall
models only

TOOLS REQUIRED

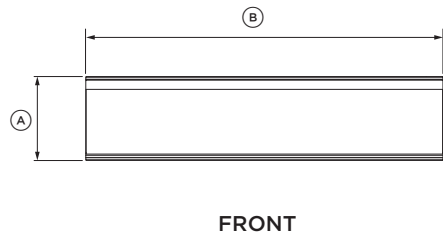
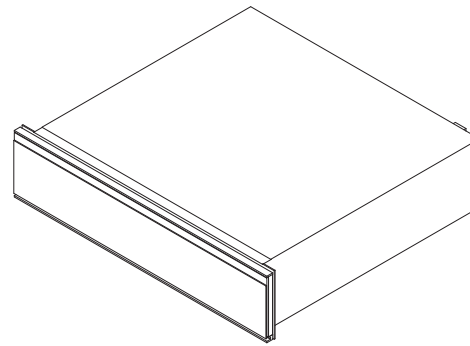
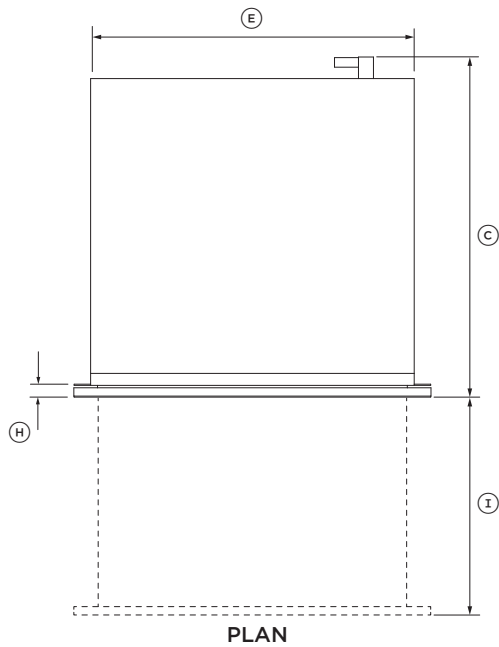


5mm Hex key



T20 star-head screwdriver

PRODUCT DIMENSIONS - 60CM MODELS



PRODUCT DIMENSIONS	WB60SMG1-SET	WB60SMB1-SET	WB60SDB1-SET
	MM		
Ⓐ Overall height			140
Ⓑ Overall width			596
Ⓒ Overall depth**†			567
Ⓓ Height of chassis			140
Ⓔ Width of chassis			543
Ⓕ Depth of chassis**			547
Ⓖ Height of drawer front panel			136
Ⓗ Depth of drawer front panel and attachment flange†			20
Ⓘ Depth of open drawer			414
Ⓙ Height from bottom of chassis to bottom of drawer front panel			2

* Including drawer front panel and power plug.

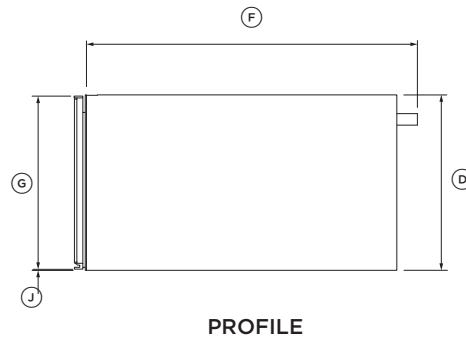
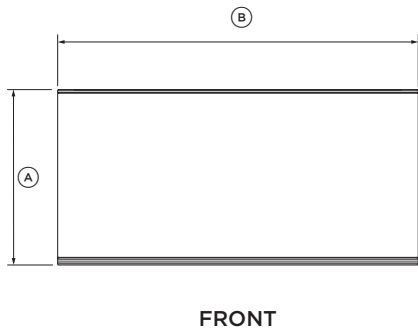
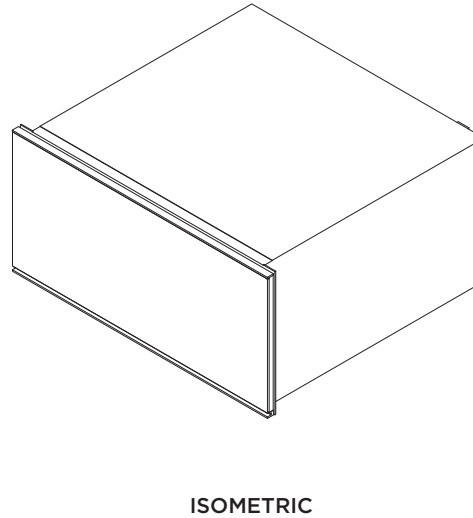
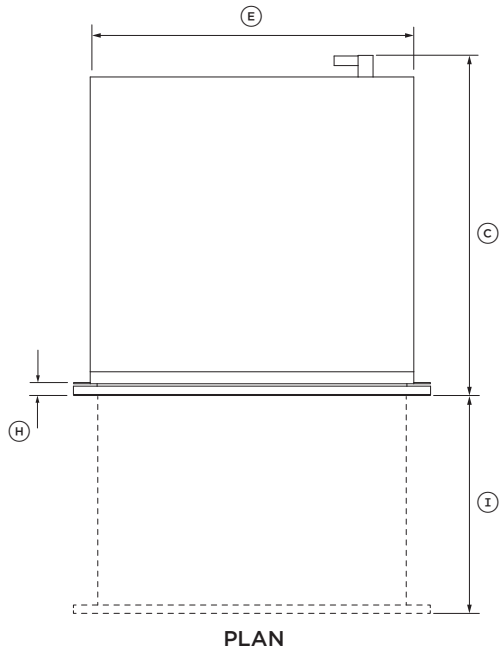
** Including power plug.

† Excluding SS panel (Contemporary models).

PRODUCT WEIGHT	WB60SMG1-SET	WB60SMB1-SET	WB60SDB1-SET
	KG		
Total weight of drawer*			22

*including packaging

PRODUCT DIMENSIONS - 60CM TALL MODELS



PRODUCT DIMENSIONS	WB60SMTB1-SET	WB60SDTB1-SET
	MM	
Ⓐ Overall height	290	
Ⓑ Overall width	596	
Ⓒ Overall depth*	567	
Ⓓ Height of chasis	290	
Ⓔ Width of chassis	540	
Ⓕ Depth of chassis**	547	
Ⓖ Height of drawer front panel	286	
Ⓗ Depth of drawer front panel and attachment flange	20	
Ⓘ Depth of open drawer	414	
Ⓙ Height from bottom of chassis to bottom of front panel	2	

* Including front panel and power plug.

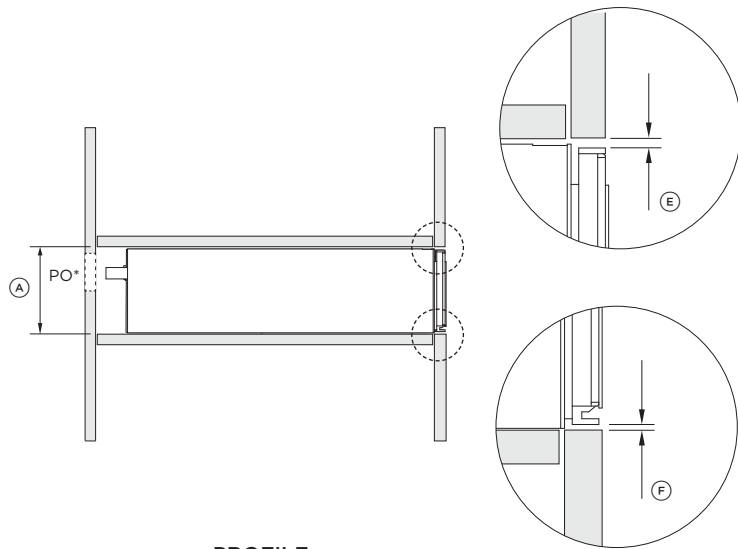
** Including power plug. Excludes attachment flange.

PRODUCT WEIGHT	WB60SMTB1-SET	WB60SDTB1-SET
	KG	
Total weight of drawer*	37	

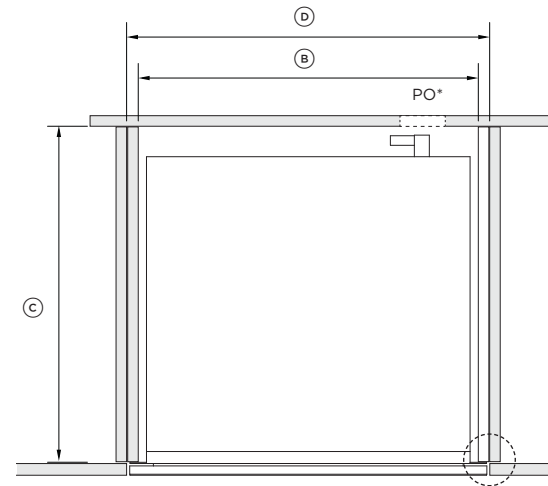
*including packaging

Actual product dimension may vary by ± 2 mm.

CABINETY DIMENSIONS - 60CM MODELS

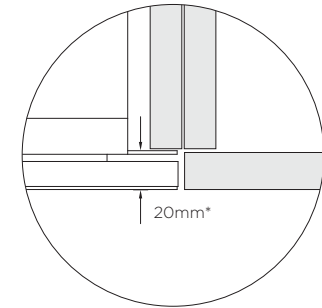


PROFILE

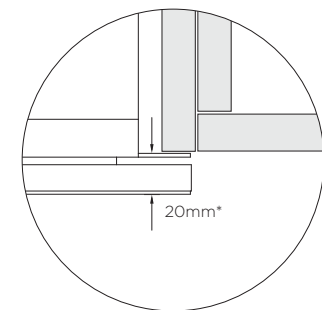


PLAN

FLUSH INSTALL



PROUD INSTALL

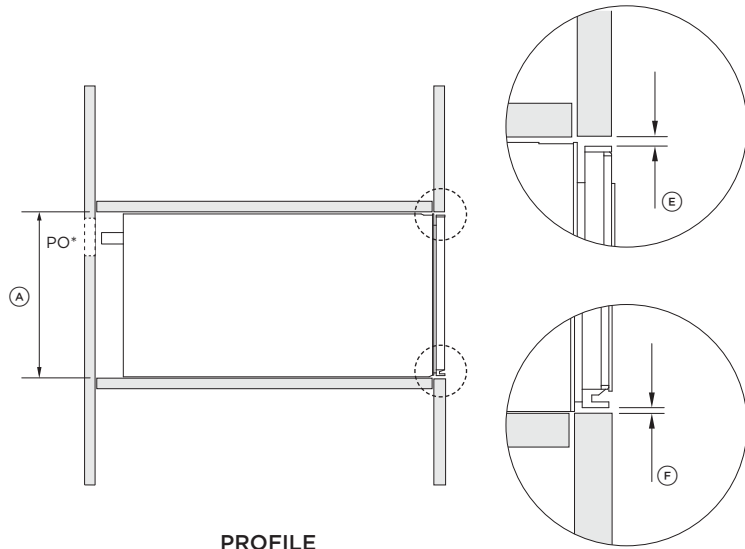


CABINETY DIMENSIONS

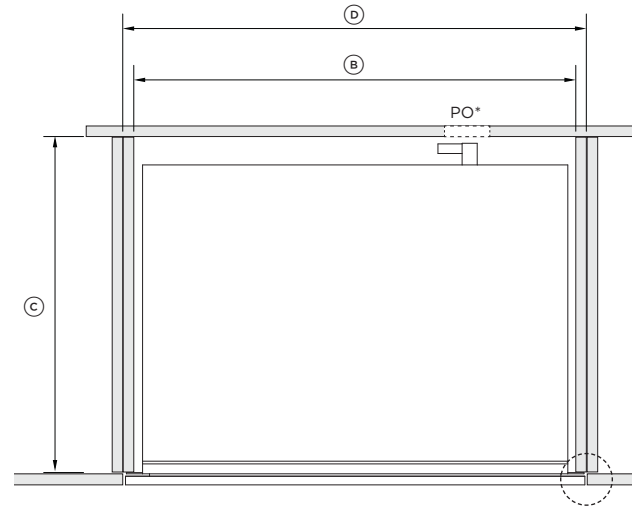
	WB60SMG1-SET WB60SMB1-SET WB60SDB1-SET
	MM
Ⓐ Minimum inside height of cavity	142
Ⓑ Minimum inside width of cavity	560
Ⓒ Minimum inside depth of cavity	550
Ⓓ Overall width of cabinetry	600
Ⓔ Minimum clearance between top of front panel and upper cabinetry panel	3
Ⓕ Minimum clearance between bottom of front panel and lower cabinetry panel	2

* The power outlet (PO) must be earthed and located within 900mm of the centre rear of the product.

CABINETY DIMENSIONS - 60CM TALL MODELS

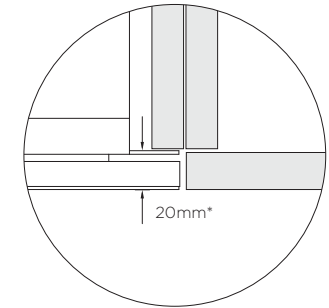


PROFILE

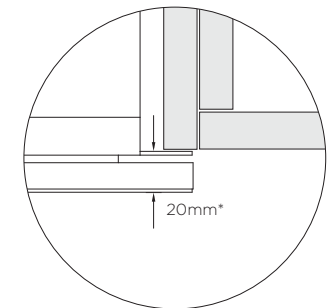


PLAN

FLUSH INSTALL



PROUD INSTALL



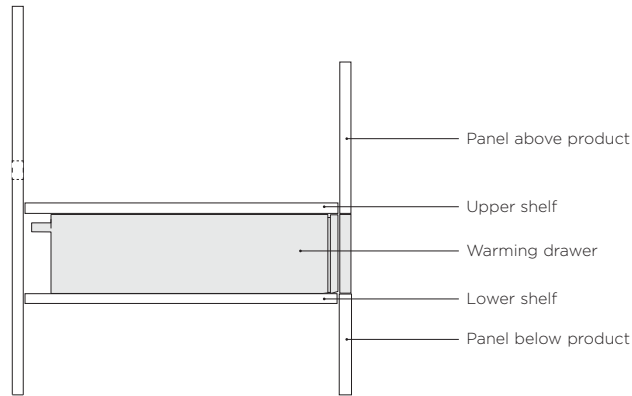
CABINETY DIMENSIONS	WB60SMTB1-SET WB60SDTB1-SET
	MM
Ⓐ Minimum inside height of cavity	292
Ⓑ Minimum inside width of cavity	560
Ⓒ Minimum inside depth of cavity	550
Ⓓ Overall width of cabinetry	600
Ⓔ Minimum clearance between top of front panel and upper cabinetry panel	3
Ⓕ Minimum clearance between bottom of front panel and lower cabinetry panel	2

* The power outlet (PO) must be earthed and located within 900mm of the centre rear of the product.

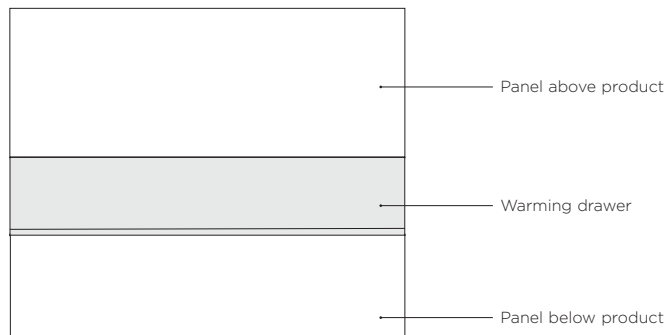
INSTALLATION OPTIONS

STANDALONE INSTALLATION

This installation is suitable for Minimal & Contemporary Warming drawers. A fixed shelf must be installed above the warming drawer.



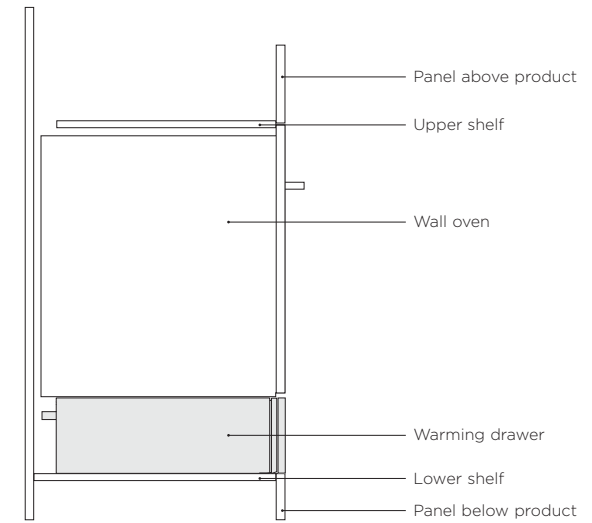
PROFILE



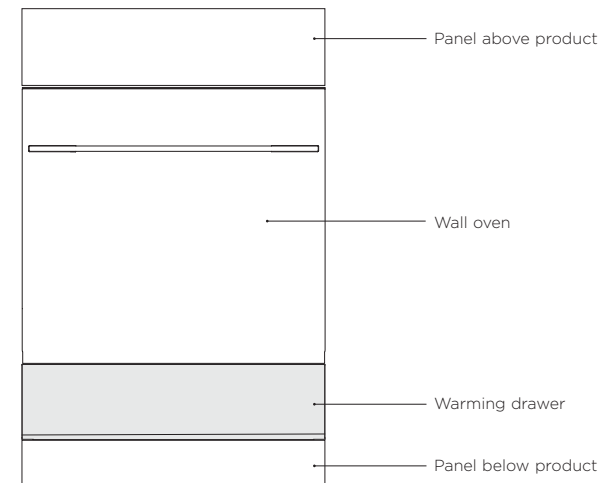
FRONT

COMBINED WITH SINGLE OVEN

This installation combines 60cm Warming Drawer with 60cm Fisher & Paykel wall oven. The warming drawer can support the weight of the oven sitting directly on top.



PROFILE

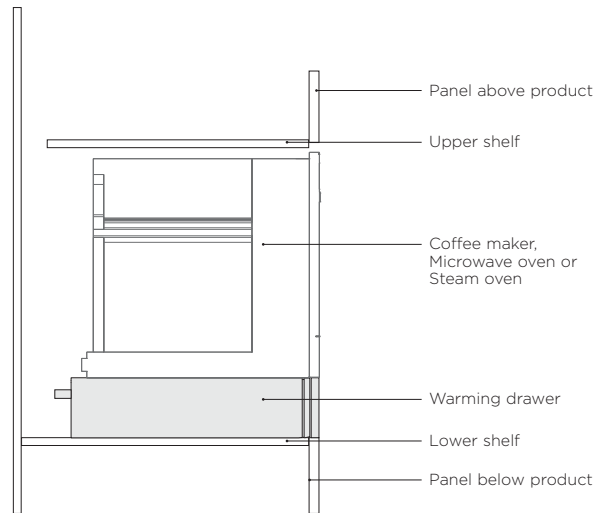


FRONT

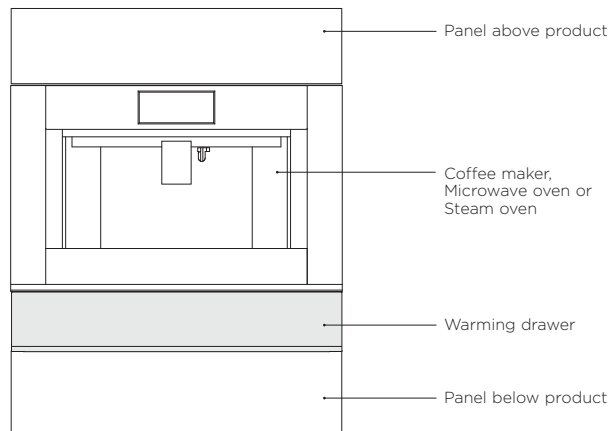
INSTALLATION OPTIONS

COMBINED WITH COMPANION PRODUCT

This installation combines 60cm Warming Drawer with 60cm Fisher & Paykel companion product. The warming drawer can fully support the weight of the companion product sitting directly on top.



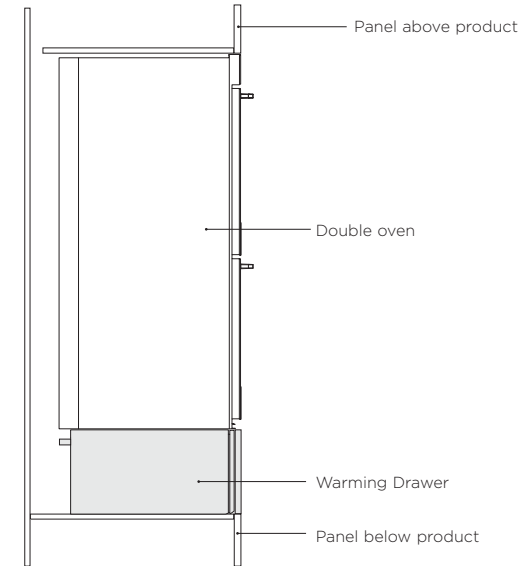
PROFILE



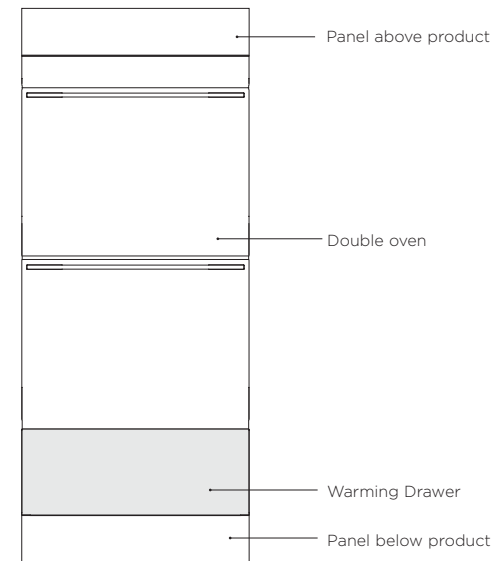
FRONT

COMBINED WITH DOUBLE OVEN

This installation combines 60cm Tall Warming Drawer with a 60cm Fisher & Paykel double oven. The warming drawer can fully support the weight of the double oven sitting directly on top.



PROFILE

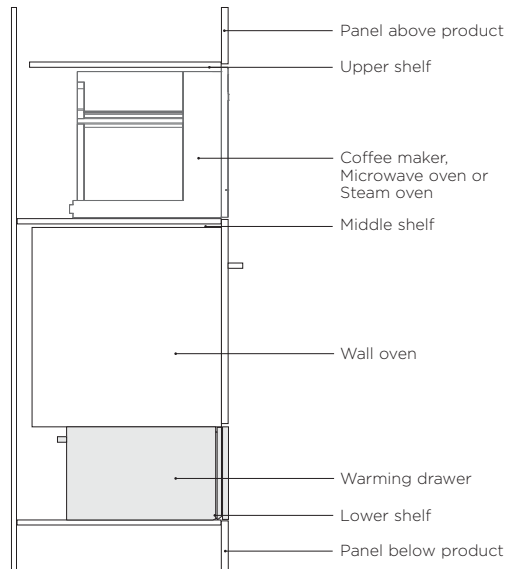


FRONT

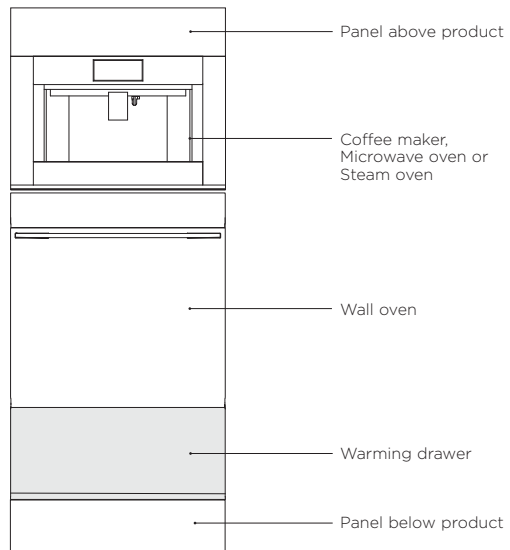
INSTALLATION OPTIONS

TRIPLE STACK COMBINATION

This combination is suitable for 60cm Tall Warming Drawer. A shelf is required above the oven to support the 60cm companion product. Ensure the bottom shelf can fully support the weight of all appliances.

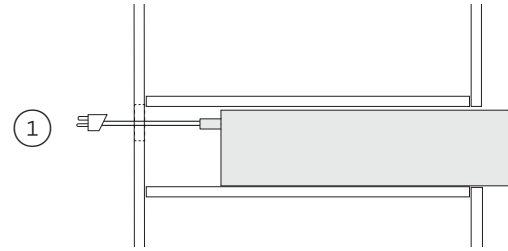


PROFILE



FRONT

INSTALLING THE DRAWER

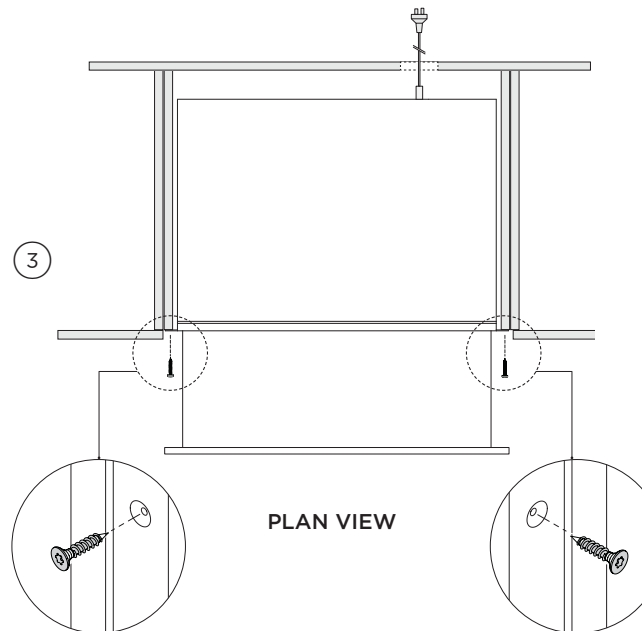


Connect the power plug into the power outlet.
Place the warming drawer carefully inside the cabinetry.



Push the warming drawer back into the cabinetry, and align the flanges with the cabinetry as desired.

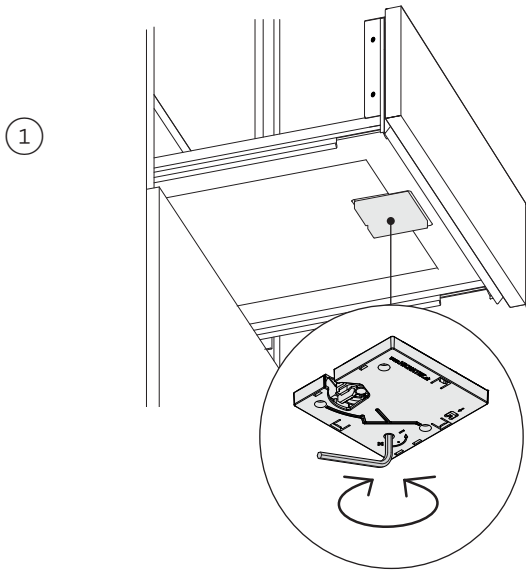
PROFILE



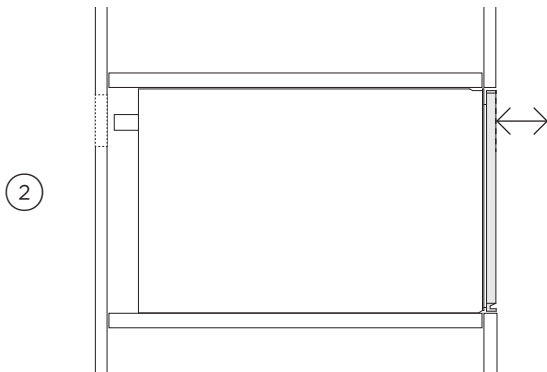
Open the drawer and secure the attachment flanges of the drawer to the side edges of cabinetry with T20 star head machine screws.

ADJUSTING THE DEPTH

The depth of the front panel of the warming drawer can be adjusted to align with the surrounding cabinetry.



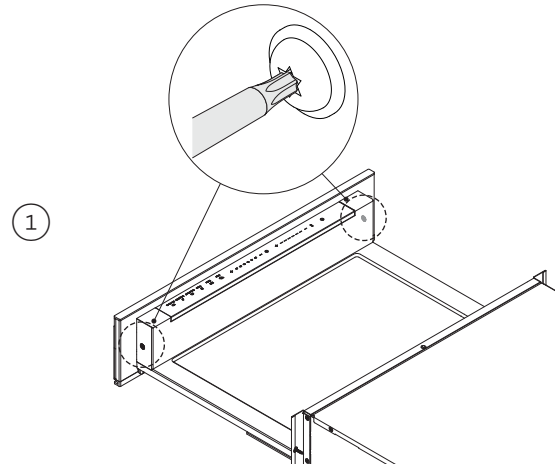
Open the drawer fully.
Using a hex key, turn the adjustment screw to move the front panel forward.
Turn clockwise to move backwards or counterclockwise to move forwards.



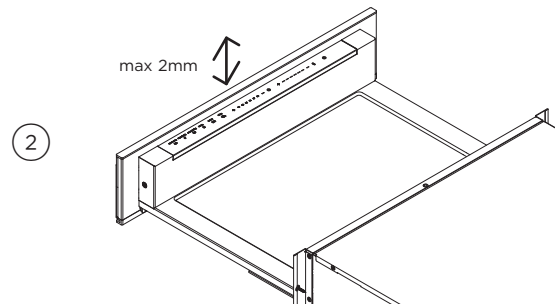
The front panel depth is adjustable within 4mm.

ADJUSTING THE HEIGHT

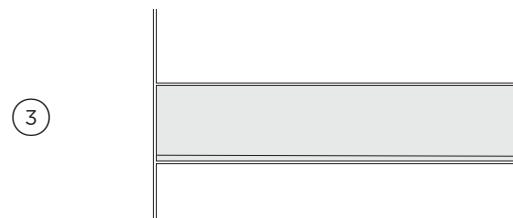
The front panel of the warming drawer can be adjusted vertically to align with the surrounding cabinetry.



Open the drawer fully, and slightly loosen the T20 star head machine screws.



Adjust to the required height and then re-tighten the screws. The height is adjustable within 2mm.



Close the drawer and check the alignment. Adjust again if necessary.

INSTALLER CHECKLIST

IMPORTANT!

Read all installation instructions in this manual to see if the unit has been correctly installed.
Ensure that installation has been completed correctly before use.

Ensure that:

- the warming drawer is level and securely fitted to the cabinetry
- any internal packaging has been removed from the drawer
- the isolating switch is accessible by the customer
- the bottom shelf can fully support the total weight of the combined appliances

Test operation:

- Open the drawer.
- Press the ① button to turn the warming drawer on.
- Shut the drawer.
- After 5-10 minutes, open the drawer to feel the internal surfaces of drawer is slightly warmed.
- Press the ① button to turn the warming drawer off and shut the drawer.

Complete and keep for safe reference:

Model _____

Serial No. _____

Purchase Date _____

Purchaser _____

Dealer Address _____

Installer's Name _____

Installer's Signature _____

Installation Company _____

Installation Date _____

FISHERPAYKEL.COM

© Fisher & Paykel Appliances 2025. All rights reserved.

The models shown in this guide may not be available in all markets
and are subject to change at any time.

The product specifications in this guide apply to the specific products and
models described at the date of issue. Under our policy of continuous product
improvement, these specifications may change at any time.

For current details about model and specification availability in your country,
please go to our website or contact your local Fisher & Paykel dealer.

431277B 01.25