

24" MINIMAL HANDLELESS OVENS AND COMPANIONS

PLANNING GUIDE

SERIES 11 SELF-CLEANING OVEN | OB24SAMPUNB5, OB24SAMPUNG5

SERIES 11 COMBI-STEAM OVEN | OS24SAMHUNB5, OS24SAMHUNG5

SERIES 11 COMPACT COMBI-STEAM OVEN | OS24NAMHUNB5, OS24NAMHUNG5

SERIES 11 COMPACT CONVECTION-SPEED OVEN | OM24NMUNB5, OM24NMUNG5

SERIES 9 WARMING DRAWER | WB24SMB3, WB24SMG3

CONTENTS | 24" OVENS AND COMPANIONS

INTRODUCTION

This comprehensive planning guide provides you with the framework and tools to achieve your desired design outcome with Fisher & Paykel appliances. In this guide, you will find a range of conceptual, detailed, and dimensional product information to bring your ideas to life and create spaces that truly reflect your vision.

SUPPORT

For additional design planning and installation support please contact the Fisher & Paykel design support team.

designsupport@fisherpaykel.com

NOTES

The models shown in this Planning Guide may not be available in all markets and are subject to change at any time. Refer to our website fisherpaykel.com for the latest document version. Product specifications may vary from those shown.

This Planning Guide should not be used as installation guidance for any product. Specific installation guidance will be available with the product on delivery and on our website.

CONCEPT DESIGN	PAGE	DEVELOPED AND DETAILED DESIGN	PAGE	DEVELOPED AND DETAILED DESIGN	PAGE
DESIGN CHOICE		DATA SHEETS		PLANNING CONSIDERATIONS	
Styles	4	Self-Cleaning Oven	18	Cabinetry Preparation	24
Minimal Handleless Style	5	Combi-Steam Oven	19	Ventilation	25
Installation Options	6	Compact combi-Steam Oven	20	Stack Height	26
Overview	7	Compact Convection-Speed Oven	21	SERVICES	
SPECIFICATION GUIDE		Warming Drawer	22	Power Connection and Electrical	28
Self-Cleaning Oven	9				
Combi-Steam Oven	10				
Compact Combi-Steam Oven	11				
Compact Convection-Speed Oven	12				
Warming Drawer	13				
Dimensions - Ovens	14				
Dimensions - Compact Ovens and Built-in Coffee Maker	15				
Services	16				

DESIGN CHOICE



MINIMAL STYLE - HANDLELESS



MINIMAL STYLE



CONTEMPORARY STYLE

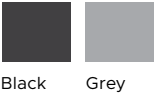
Celebrating a singular aesthetic to blend seamlessly into the kitchen, Minimal style ovens feature subtle textural and tonal contrasts for a sense of refinement and purity.

Defined by clean lines and timeless design cues, Contemporary style ovens bring a sense of balance and refinement. A versatile aesthetic that complements a range of kitchen styles.

This Planning Guide is for the Minimal Handleless Style featuring 60cm Ovens and Companions. For information on other styles, please visit the Fisher and Paykel website. To see what models are available, head to the 'Overview' section in this Planning Guide.

The models shown in this Planning Guide may not be available in all markets and are subject to change at any time. Product specifications may vary from those shown. This Planning Guide should not be used as installation guidance for any product. Further information is required to safely and correctly install the products featured here. Specific installation guidance will be available with the product on delivery and on our website fisherpaykel.com

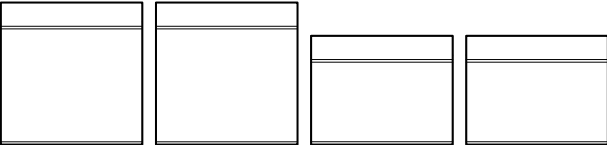
FINISH



Black Grey

OVENS

SELF-CLEANING COMBI-STEAM CONVECTION-SPEED

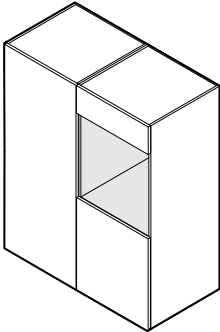


COMPANIONS

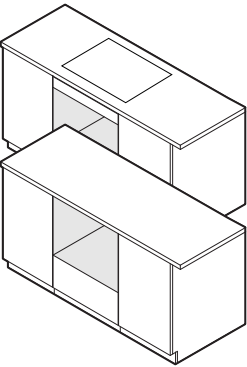
WARMING DRAWER



INSTALLATION OPTIONS



Installation in wall



Installation under-bench

The models shown in this Planning Guide may not be available in all markets and are subject to change at any time. Product specifications may vary from those shown. This Planning Guide should not be used as installation guidance for any product. Further information is required to safely and correctly install the products featured here. Specific installation guidance will be available with the product on delivery and on our website fisherpaykel.com

CONSIDERATIONS

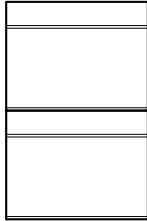
Different configurations possible, consider heights for grid and row installations.

STACK HEIGHT

Stack Height is overall product height with minimum clearance above appliance front panel to upper cabinetry front panel or appliance.

STACKED INSTALLATION

Stack Height
36 7/32" (920mm)



Stack Height
41 3/4" (1060mm)

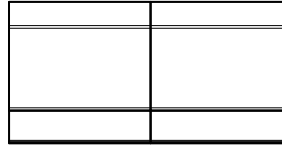


Stack Height
47 1/4" (1200mm)

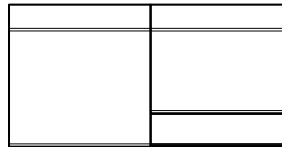


GRID INSTALLATION

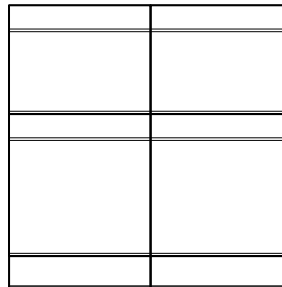
Stack Height
23 5/8" (600mm)



Stack Height
23 5/8" (600mm)

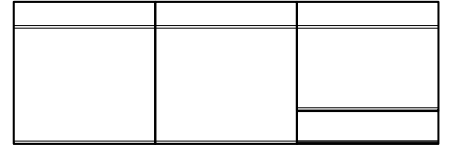


Stack Height
47 1/4" (1200mm)



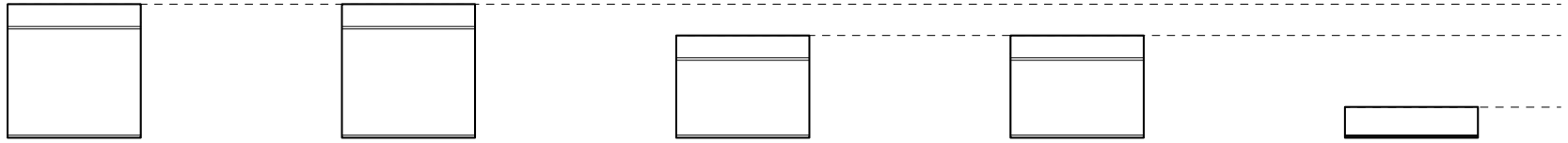
ROW INSTALLATION

Stack Height
23 5/8" (600mm)

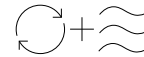
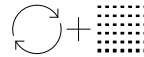
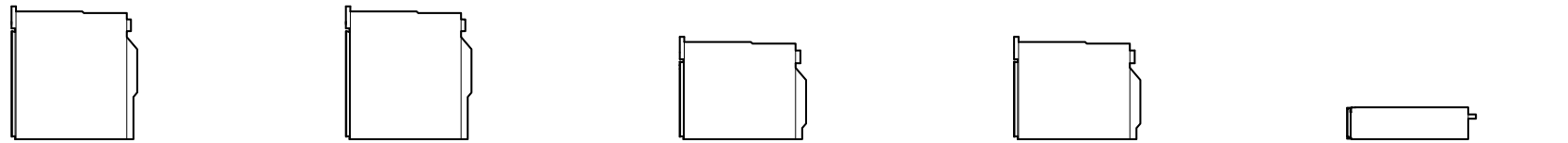


The models shown in this Planning Guide may not be available in all markets and are subject to change at any time. Product specifications may vary from those shown. This Planning Guide should not be used as installation guidance for any product. Further information is required to safely and correctly install the products featured here. Specific installation guidance will be available with the product on delivery and on our website fisherpaykel.com

FRONT ELEVATION



SIDE ELEVATION

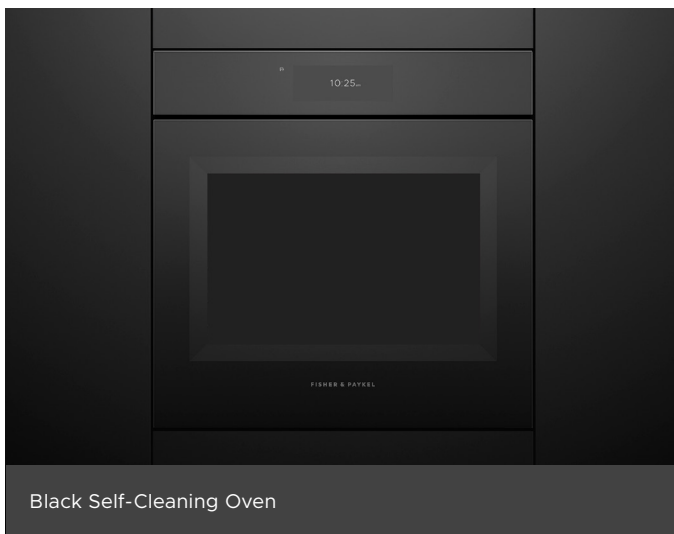


	SELF-CLEANING OVEN	COMBI-STEAM OVEN	COMPACT COMBI-STEAM OVEN	COMPACT CONVECTION-SPEED OVEN	WARMING DRAWER
Series	Series 11	Series 11	Series 11	Series 11	Series 9
Black Models	OB24SAMPUNB5	OS24SAMHUNB5	OS24NAMHUNB5	OM24NMUNB5	WB24SMB3
Grey Models	OB24SAMPUNG5	OS24SAMHUNG5	OS24NAMHUNG5	OM24NMUNG5	WB24SMG3
Interface	6.8" Touchscreen	6.8" Touchscreen	6.8" Touchscreen	6.8" Touchscreen	-
Overall Height	23 9/16" (598mm)	23 9/16" (598mm)	18" (458mm)	18" (458mm)	5 1/2" (140mm)
Overall Width	23 7/16" (596mm)	23 7/16" (596mm)	23 7/16" (596mm)	23 7/16" (596mm)	23 7/16" (596mm)
Control Panel/Front Panel Thickness	13/16" (20mm)	13/16" (20mm)	13/16" (20mm)	13/16" (20mm)	13/16" (20mm)

The models shown in this Planning Guide may not be available in all markets and are subject to change at any time. Product specifications may vary from those shown. This Planning Guide should not be used as installation guidance for any product. Further information is required to safely and correctly install the products featured here. Specific installation guidance will be available with the product on delivery and on our website fisherpaykel.com

SPECIFICATION GUIDE

SERIES 9 & 11



Black Self-Cleaning Oven



Grey Self-Cleaning Oven

OVERVIEW

Designed to complement Minimal style appliances, this handleless oven offers a sleek, uninterrupted finish – ideal for true handleless kitchen designs. The pyrolytic self cleaning function breaks down food residue for an easy clean, while the precise cooking methods with temperature and heat type recommendations for a wide range of food types are easily accessed via the large touch screen and SmartHQ™.

PRODUCTS

OB24SAMPUNB5 - Black
24" Series 11 Minimal Handleless Self-Cleaning Oven

OB24SAMPUNG5 - Grey
24" Series 11 Minimal Handleless Self-Cleaning Oven

SERIES & STYLE

Series 11
Minimal Handleless

ACCESSORIES

- 1 Self-cleaning Proof Side Ladders
- 2 Full Extension Sliding Shelf (x2)
- 3 Multi-functional Air Fry Tray

FEATURES

- 1 Handleless oven design ensures smooth, uninterrupted lines in kitchen cabinetry for a cohesive look
- 2 Self-cleaning pyrolytic function breaks down food residue for an easy clean
- 3 Effortlessly open and close the oven with a gentle press of a button, ensuring convenience and smooth operation in the kitchen
- 4 Generous 2.5 cu ft useable capacity
- 5 Large 6.8" touchscreen is intuitive and easy to use
- 6 Create perfect results with precise cooking methods, with temperature and heat type recommendations for your food type
- 7 Moisture control and even heat distribution thanks to ActiveVent™ and AeroTech™ technology
- 8 Includes a wired temperature sensor for real-time monitoring of cooking temperatures
- 9 Connected capability via the SmartHQ™ app gives control & visibility from anywhere at anytime

ACCESSORIES

- 4 Roasting Dish
- 5 Wired Temperature Sensor

The models shown in this Planning Guide may not be available in all markets and are subject to change at any time. Product specifications may vary from those shown. This Planning Guide should not be used as installation guidance for any product. Further information is required to safely and correctly install the products featured here. Specific installation guidance will be available with the product on delivery and on our website fisherpaykel.com



OVERVIEW

Designed to complement Minimal style appliances, this handleless Combi-Steam oven offers a sleek, uninterrupted finish – ideal for true handleless kitchen designs. With versatile cooking options including steam or convection, plus a Steam Clean function for easy maintenance. Precise cooking methods with temperature and heat type recommendations for a wide range of food types are easily accessed via the large touch screen and SmartHQ™.

PRODUCTS

OS24SAMHUNB5 - Black
24" Series 11 Minimal Handleless Combi-Steam Oven

OS24SAMHUNG5 - Grey
24" Series 11 Minimal Handleless Combi-Steam Oven

SERIES & STYLE

Series 11
Minimal Handleless

ACCESSORIES

- 1 Chrome Side Ladders
- 2 Full Extension Sliding Shelf (x2)
- 3 Multi-functional Air Fry Tray
- 4 Roasting Dish
- 5 Large Perforated Steam Dish

FEATURES

- 1 Handleless design ensures smooth, uninterrupted lines in kitchen cabinetry for a cohesive look
- 2 Versatile cooking options with steam or convection heat for optimal results
- 3 Effortlessly open and close the oven with a gentle press of a button, ensuring convenience and smooth operation in the kitchen
- 4 Generous 2.5 cu ft useable capacity
- 5 Large 6.8" touchscreen is intuitive and easy to use
- 6 Create perfect results with precise cooking methods, with temperature and heat type recommendations for your food type
- 7 Moisture control and even heat distribution thanks to ActiveVent™ and AeroTech™ technology
- 8 Steam Clean function ensures a spotless oven with minimal effort
- 9 Includes a wired temperature sensor for real-time monitoring of cooking temperatures
- 10 Connected capability via the SmartHQ™ app gives control & visibility from anywhere at anytime

ACCESSORIES

- 6 Small Perforated Steam Dish
- 7 Large Steam Dish
- 8 Wired Temperature Sensor
- 9 Descale Solution x2 sachets (Part 580295)



The models shown in this Planning Guide may not be available in all markets and are subject to change at any time. Product specifications may vary from those shown. This Planning Guide should not be used as installation guidance for any product. Further information is required to safely and correctly install the products featured here. Specific installation guidance will be available with the product on delivery and on our website fisherpaykel.com



OVERVIEW

Designed to complement Minimal style appliances, this handleless Combi-Steam oven offers a sleek, uninterrupted finish – ideal for true handleless kitchen designs. With versatile cooking options including steam or convection, plus a Steam Clean function for easy maintenance. Precise cooking methods with temperature and heat type recommendations for a wide range of food types are easily accessed via the large touch screen and SmartHQ™.

PRODUCTS

OS24NAMHUNB5 - Black
24" Series 11 Minimal Handleless Compact Combi-Steam Oven

OS24NAMHUNG5 - Grey
24" Series 11 Minimal Handleless Compact Combi-Steam Oven

SERIES & STYLE

Series 11
Minimal Handleless

ACCESSORIES

- 1 Chrome Side Ladders
- 2 Full Extension Sliding Shelf
- 3 Wire Shelf
- 4 Multi-functional Air Fry Tray
- 5 Roasting Dish

FEATURES

- 1 Handleless design ensures smooth, uninterrupted lines in kitchen cabinetry for a cohesive look
- 2 Versatile cooking options with steam or convection heat for optimal results
- 3 Effortlessly open and close the oven with a gentle press of a button, ensuring convenience and smooth operation in the kitchen
- 4 Compact 1.6 cu ft useable capacity
- 5 Large 6.8" touchscreen is intuitive and easy to use
- 6 Create perfect results with precise cooking methods, with temperature and heat type recommendations for your food type
- 7 Moisture control and even heat distribution thanks to ActiveVent™ and AeroTech™ technology
- 8 Steam Clean function ensures a spotless oven with minimal effort
- 9 Includes a wired temperature sensor for real-time monitoring of cooking temperatures
- 10 Connected capability via the SmartHQ™ app gives control & visibility from anywhere at anytime

ACCESSORIES

- 6 Large Perforated Steam Dish
- 7 Small Perforated Steam Dish
- 8 Large Steam Dish
- 9 Wired Temperature Sensor
- 10 Descale Solution x2 sachets (Part 580295)

The models shown in this Planning Guide may not be available in all markets and are subject to change at any time. Product specifications may vary from those shown. This Planning Guide should not be used as installation guidance for any product. Further information is required to safely and correctly install the products featured here. Specific installation guidance will be available with the product on delivery and on our website fisherpaykel.com



OVERVIEW

Designed to complement Minimal style appliances, this handleless Convection-Speed oven offers a sleek, uninterrupted finish – ideal for true handleless kitchen designs. Versatile cooking options including microwave or convection offer efficient heating across a variety of dishes. Precise cooking methods with temperature and heat type recommendations for a wide range of food types are easily accessed via the large touch screen and SmartHQ™.

PRODUCTS

OM24NMUNB5 - Black
24" Series 11 Minimal Handleless Compact Convection-Speed Oven

OM24NMUNG5 - Grey
24" Series 11 Minimal Handleless Compact Convection-Speed Oven

SERIES & STYLE

Series 11
Minimal Handleless

FEATURES

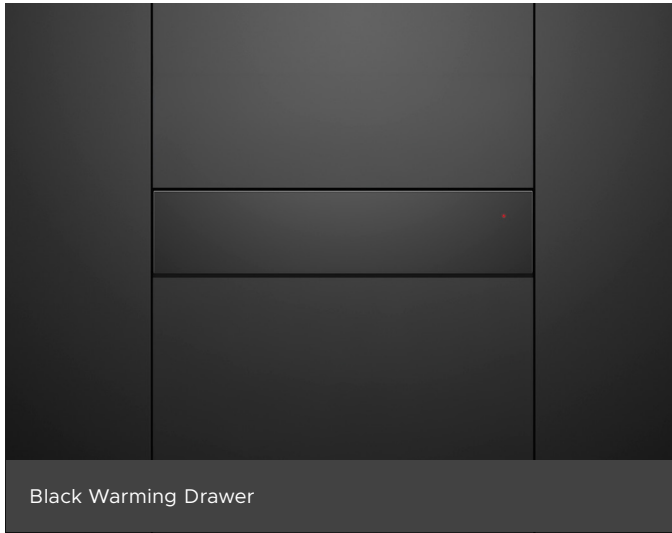
- 1 Handleless design ensures smooth, uninterrupted lines in kitchen cabinetry for a cohesive look
- 2 Combines fast microwave cooking with even convection heat for versatile, efficient heating across a variety of dishes
- 3 Effortlessly open and close the oven with a gentle press of a button, ensuring convenience and smooth operation in the kitchen
- 4 Compact 1.3 cu ft useable capacity
- 5 Large 6.8" touchscreen is intuitive and easy to use
- 6 Create perfect results with precise cooking methods, with temperature and heat type recommendations for your food type
- 7 Versatile microwave only, convection only or combi-microwave functions to suit a range of cooking styles
- 8 Includes a wired temperature sensor for real-time monitoring of cooking temperatures
- 9 Connected capability via the SmartHQ™ app gives control & visibility from anywhere at anytime

ACCESSORIES

- 1 Chrome Side Ladders
- 2 Wire Shelf
- 3 Step Down Wire Shelf
- 4 Glass Tray
- 5 Broil Rack
- 6 Wired Temperature Sensor



The models shown in this Planning Guide may not be available in all markets and are subject to change at any time. Product specifications may vary from those shown. This Planning Guide should not be used as installation guidance for any product. Further information is required to safely and correctly install the products featured here. Specific installation guidance will be available with the product on delivery and on our website fisherpaykel.com



OVERVIEW

Designed to complement Minimal style appliances, this Warming Drawer delivers a seamless, flush finish – ideal for modern kitchen designs. Featuring a push-to-open mechanism, intuitive touch controls, and a smooth glass base for easy cleaning. With six tailored programmes and space for 6 place settings, it keeps meals ready to serve.

PRODUCTS

WB24SMB3 - Black
24" Series 9 Minimal Warming Drawer

WB24SMG3 - Grey
24" Series 9 Minimal Warming Drawer

SERIES & STYLE

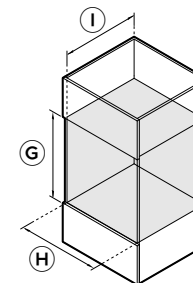
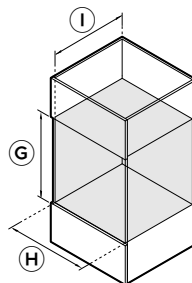
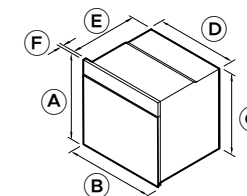
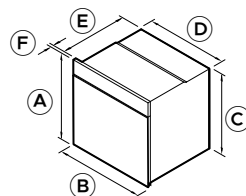
Series 9
Minimal

FEATURES

- 1** Minimal style is designed to fit flush with cabinetry. Matches our Minimal style family of appliances
- 2** Push-to-open drawer, designed for added convenience
- 3** Simple and intuitive touch controls for effortless operation
- 4** Easy-to-clean glass base
- 5** Automatic switch-off and delayed start functionality to help keep dishes warm until it is time to serve
- 6** Room for 6 standard-sized place settings
- 7** Six tailored programmes including Warming, Proofing, Dehydrating, and Slow Cooking offer convenience and flexibility



The models shown in this Planning Guide may not be available in all markets and are subject to change at any time. Product specifications may vary from those shown. This Planning Guide should not be used as installation guidance for any product. Further information is required to safely and correctly install the products featured here. Specific installation guidance will be available with the product on delivery and on our website fisherpaykel.com



PRODUCT DIMENSIONS

CAVITY DIMENSIONS

SELF-CLEANING OVEN
OB24SAMPUNB5, OB24SAMPUNG5

COMBI-STEAM OVEN
OS24SAMHUNB5, OS24SAMHUNG5

PRODUCT DIMENSIONS	
A Overall product height	
B Overall product width	
C Chassis height	
D Chassis width	
E Chassis depth	
F Front frame depth	
Door open depth at 90° (from product front)	

	inch	mm
A Overall product height	23 9/16	598
B Overall product width	23 7/16	596
C Chassis height	22 5/8	575
D Chassis width	21 7/8	556
E Chassis depth	21 7/16	545
F Front frame depth	13/16	20
Door open depth at 90° (from product front)	18 1/4	463

	inch	mm
A Overall product height	23 9/16	598
B Overall product width	23 7/16	596
C Chassis height	22 5/8	575
D Chassis width	21 7/8	556
E Chassis depth	21 7/16	545
F Front frame depth	13/16	20
Door open depth at 90° (from product front)	18 1/4	463

CAVITY DIMENSIONS	
G Cavity height	
H Cavity width	
I Cavity depth (from chassis front datum)	

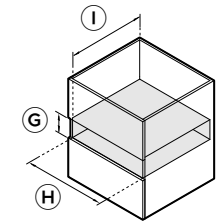
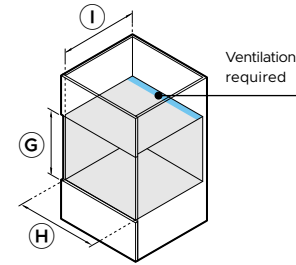
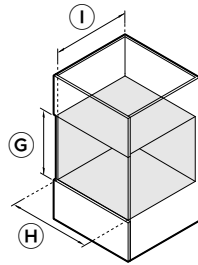
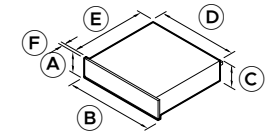
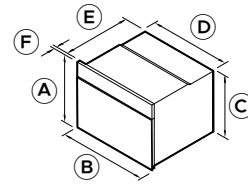
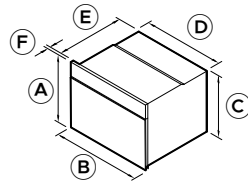
	inch	mm
G Cavity height	min 22 13/16	min 580
H Cavity width	min 22 1/16	min 560
I Cavity depth (from chassis front datum)	min 21 5/8	min 550

	inch	mm
G Cavity height	min 22 13/16	min 580
H Cavity width	min 22 1/16	min 560
I Cavity depth (from chassis front datum)	min 21 5/8	min 550

The models shown in this Planning Guide may not be available in all markets and are subject to change at any time. Product specifications may vary from those shown. This Planning Guide should not be used as installation guidance for any product. Further information is required to safely and correctly install the products featured here. Specific installation guidance will be available with the product on delivery and on our website fisherpaykel.com

PRODUCT DIMENSIONS

CAVITY DIMENSIONS



PRODUCT DIMENSIONS	
A	Overall product height
B	Overall product width
C	Chassis height
D	Chassis width
E	Chassis depth
F	Front frame depth
	Front panel height
	Front panel width
	Door open depth at 90° (from product front)
	Drawer extension

*Including power plug.

COMPACT COMBI-STEAM OVEN OS24NAMHUNB5, OS24NAMHUNG5		
	inch	mm
A	18	458
B	23 7/16	596
C	17 1/8	435
D	21 7/8	556
E	21 7/16	545
F	13/16	20
	-	-
	-	-
	12 3/4	324
	-	-

COMPACT CONVECTION-SPEED OVEN OM24NMUNB5, OM24NMUNG5		
	inch	mm
A	18	458
B	23 7/16	596
C	17 1/8	435
D	21 7/8	556
E	21 7/16	545
F	13/16	20
	-	-
	-	-
	12 3/4	324
	-	-

WARMING DRAWER WB24SMB3, WB24SMG3		
	inch	mm
A	5 1/2	140
B	23 7/16	596
C	5 1/2	140
D	21 3/8	543
E	21 9/17*	547*
F	13/16	20
	5 3/8	136
	23 7/16	596
	-	-
	max 16 5/16	max 414

CAVITY DIMENSIONS	
G	Cavity height
H	Cavity width
I	Cavity depth (from chassis front datum)

	inch	mm
G	min 17 5/16	min 440
H	min 22 1/16	min 560
I	min 21 5/8	min 550

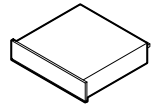
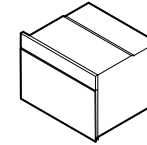
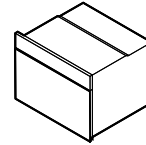
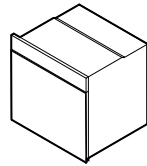
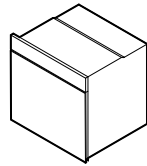
	inch	mm
G	min 17 5/16	min 440
H	min 22 1/16	min 560
I	min 21 5/8*	min 550*

	inch	mm
G	min 5 9/16	min 142
H	min 22 1/16	min 560
I	min 21 5/8	min 550

*Minimum total ventilation area of 43.4in (280cm²) is required. The ventilation opening must be located at the rear of the cavity and may be positioned at the base, sides, or top of the cavity.
Note: 24" Fisher & Paykel ovens can be installed directly onto the drawer. An intermediate shelf is not required.

The models shown in this Planning Guide may not be available in all markets and are subject to change at any time. Product specifications may vary from those shown. This Planning Guide should not be used as installation guidance for any product. Further information is required to safely and correctly install the products featured here. Specific installation guidance will be available with the product on delivery and on our website fisherpaykel.com

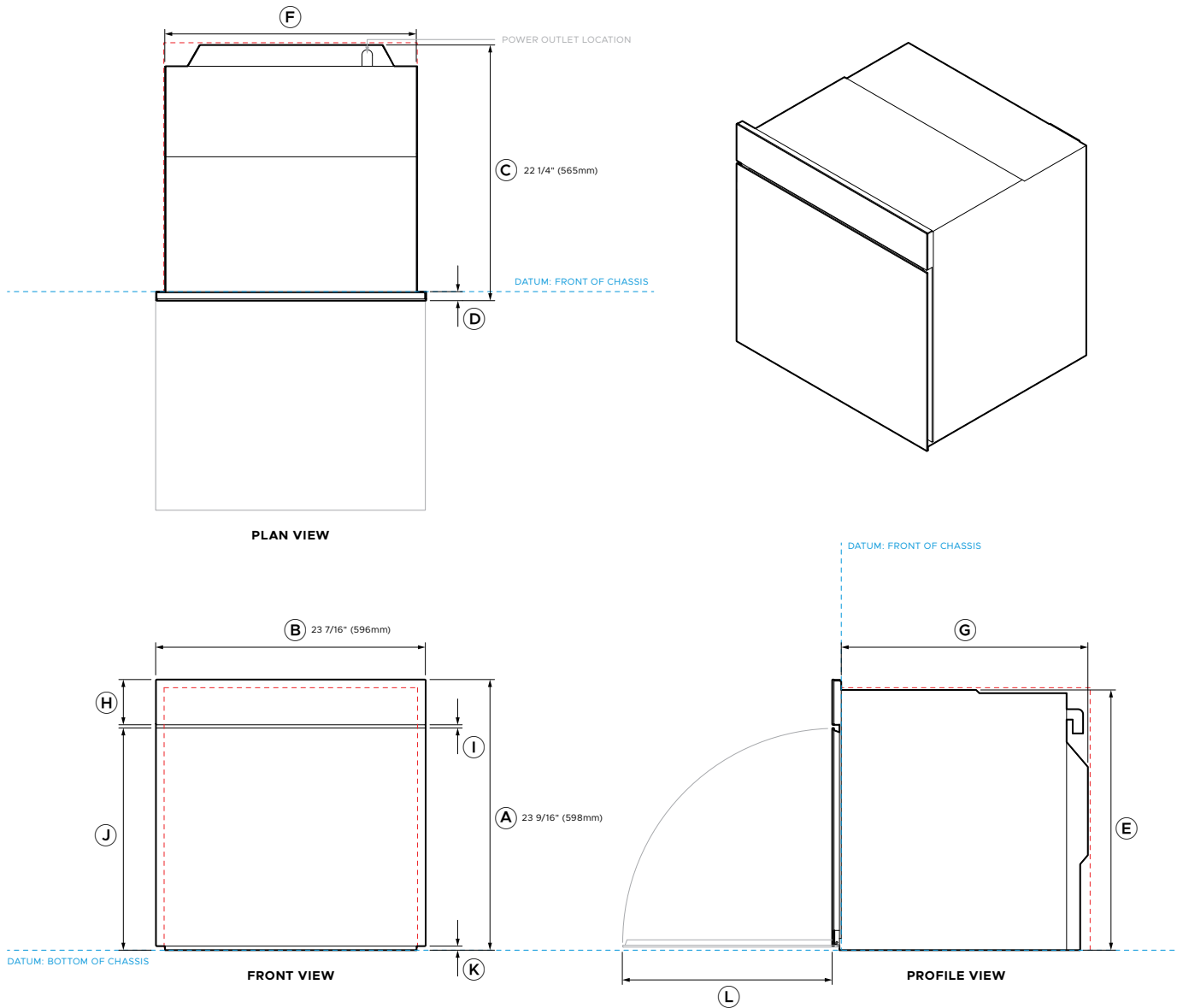
ISOMETRIC VIEW



	SELF-CLEANING OVEN OB24SAMPUNB5, OB24SAMPUNG5	COMBI-STEAM OVEN OS24SAMHUNB5, OS24SAMHUNG5	COMPACT COMBI-STEAM OVEN OS24NAMHUNB5, OS24NAMHUNG5	COMPACT CONVECTION-SPEED OVEN OM24NMUNB5, OM24NMUNG5	WARMING DRAWER WB24SMB3, WB24SMG3
PRODUCT REQUIREMENTS					
Dedicated Circuit (A)	20	20	20	20	15
Rated Power (W)	4200 / 3200	4200 / 3200	4200 / 3200	3300 / 3900	930
Supply (Hz)	60	60	60	60	60
Voltage (V)	208 / 240	208 / 240	208 / 240	208 / 240	120
Connection	Hard-wired 48" (1220mm)*	Hard-wired 48" (1220mm)*	Hard-wired 48" (1220mm)*	Hard-wired 70 7/8" (1800mm)*	Flex cord 70 7/8" (1800mm)*
*Supplied with product. Note: For multi-residential installations, use the Rated Power to calculate the demand.					
CAPACITY					
Total Oven capacity	3cu ft (85L)	3cu ft (85L)	1.94cu ft (55L)	1.7cu ft (49L)	-
Total water tank capacity	-	47 fl oz (1.4L)	47 fl oz (1.4L)	-	-
Note: All Coffee Makers and Steam Ovens have internal water tanks which need to be filled manually. No external water supply is required.					
WEIGHTS					
Packaged	117lb (53kg)	143lb (65kg)	117lb (53kg)	105lb (48kg)	40lb (18kg)
Unpackaged	99lb (45kg)	117lb (53kg)	93lb (42kg)	84lb (38kg)	37lb (17kg)

The models shown in this Planning Guide may not be available in all markets and are subject to change at any time. Product specifications may vary from those shown. This Planning Guide should not be used as installation guidance for any product. Further information is required to safely and correctly install the products featured here. Specific installation guidance will be available with the product on delivery and on our website fisherpaykel.com

DATA SHEETS



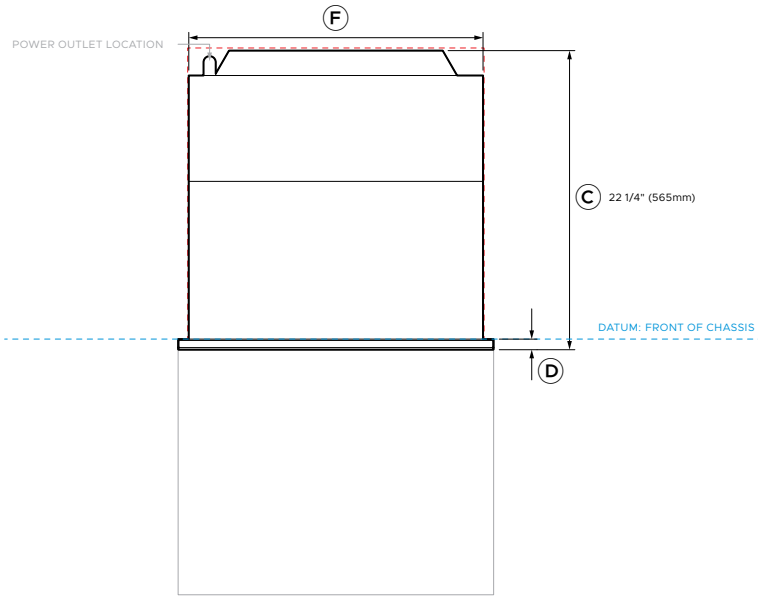
Model no:

- OB24SAMPUNB5** 24" Series 11 Minimal Handleless Self-Cleaning Oven - Black
- OB24SAMPUNG5** 24" Series 11 Minimal Handleless Self-Cleaning Oven - Grey

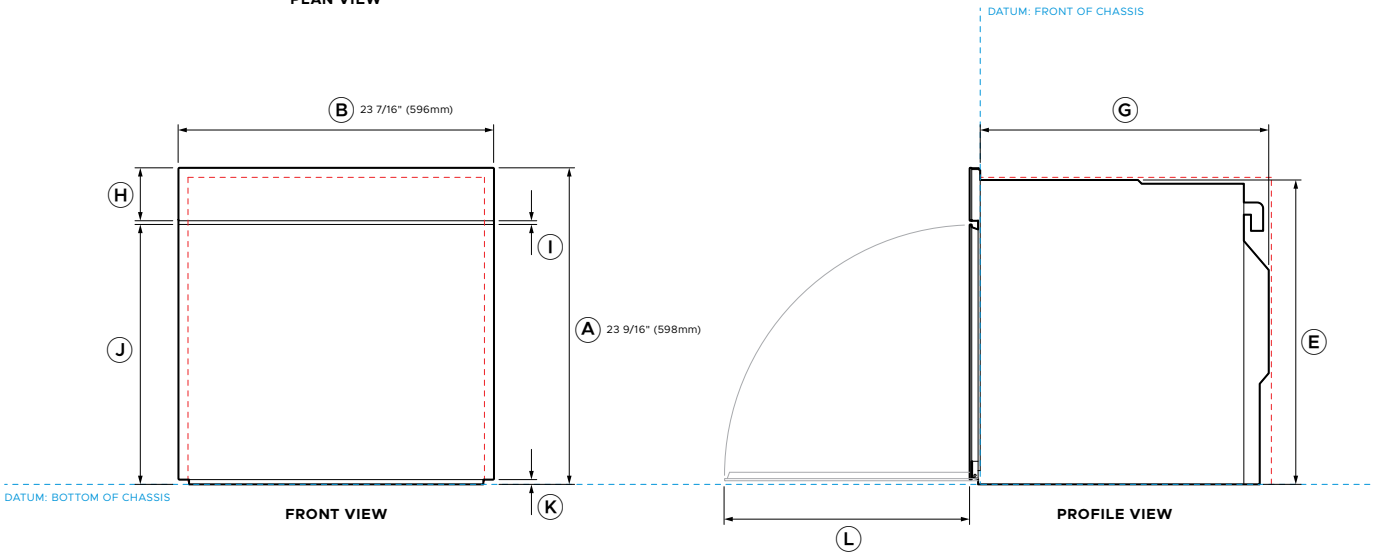
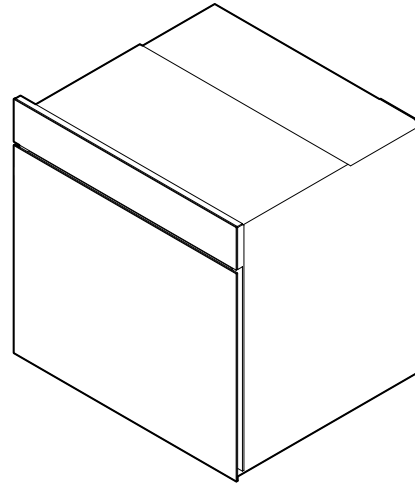
Product Dimensions		inch	mm
A	Overall product height	23 9/16	598
B	Overall product width	23 7/16	596
C	Overall product depth	22 1/4	565
D	Front frame depth	13/16	20
E	Chassis height	22 5/8	575
F	Chassis width	21 7/8	556
G	Chassis depth	21 7/16	545
H	Control panel height	3 15/16	100
I	Door-to-control panel gap	9/32	7
J	Door upper edge height (from chassis base datum)	19 5/16	491
K	Door lower edge height (from chassis base datum)	3/8	9
L	Door open depth at 90° (from product front)	8 1/4	463

Minimum Clearances		inch	mm
	Cavity height	min 22 13/16	min 580
	Cavity width	min 22 1/16	min 560
	Cavity depth (from chassis front datum)	min 21 5/8	min 550
	Front frame clearance - top & sides	min 1/16	min 2

IMPORTANT NOTE: Throughout this guide, dimensions may vary by ±2mm (1/16"). Please read the installation manual for detailed information on installing the product. For full installation instructions & specifications visit fisherpaykel.com

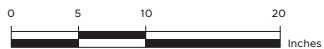


PLAN VIEW



FRONT VIEW

PROFILE VIEW



Model no:

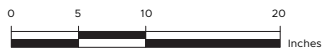
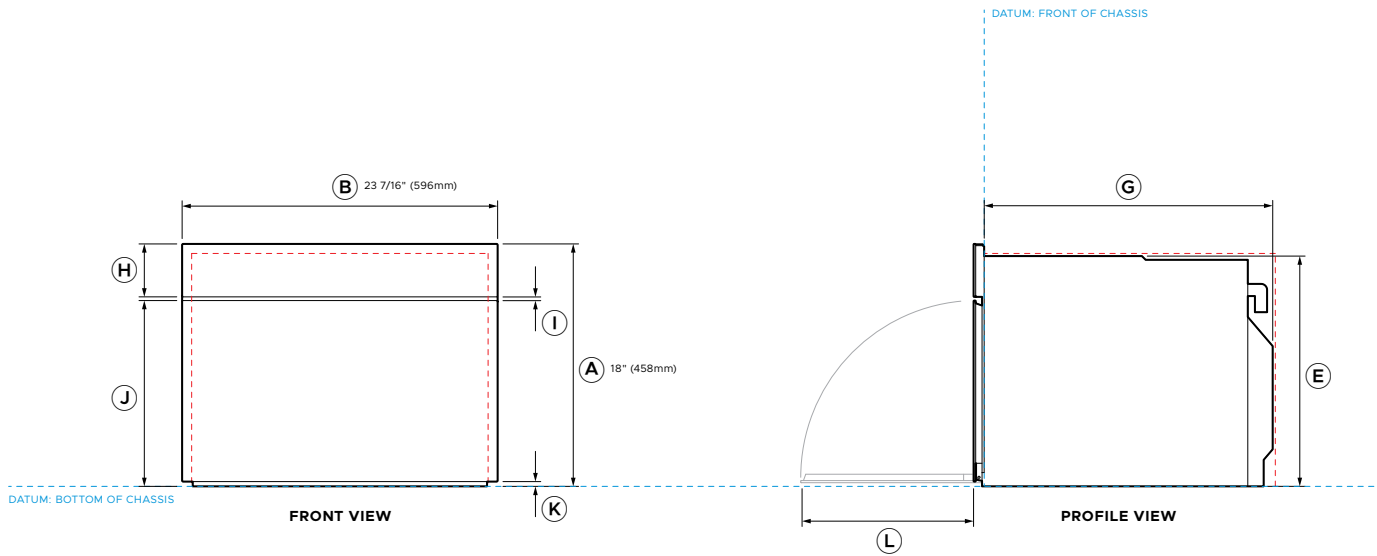
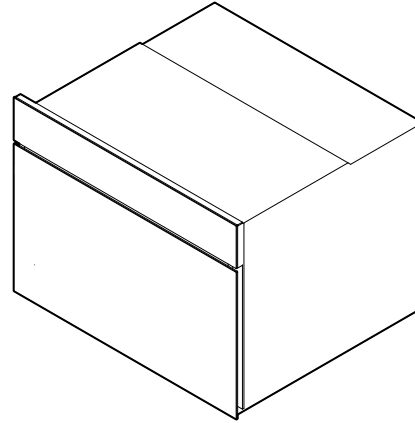
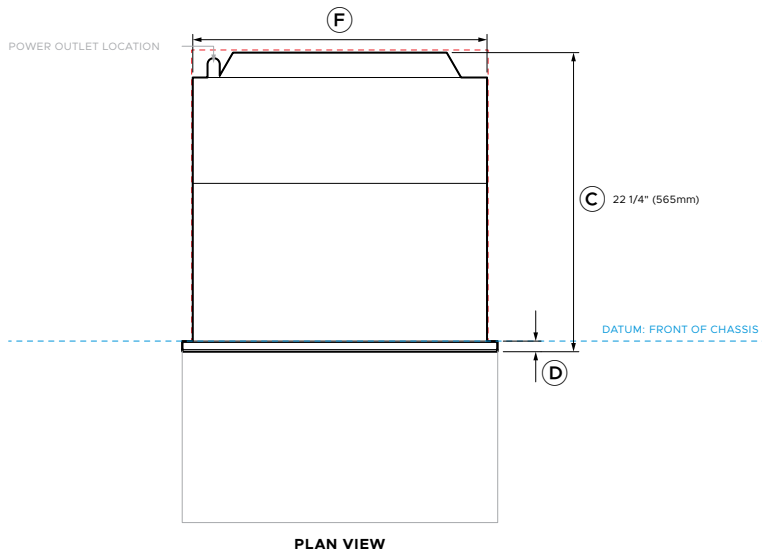
OS24SAMHUNB5	24" Series 11 Minimal Handleless Combi-Steam Oven - Black
OS24SAMHUNG5	24" Series 11 Minimal Handleless Combi-Steam Oven - Grey

Product Dimensions		inch	mm
A	Overall product height	23 9/16	598
B	Overall product width	23 7/16	596
C	Overall product depth	22 1/4	565
D	Front frame depth	13/16	20
E	Chassis height	22 5/8	575
F	Chassis width	21 7/8	556
G	Chassis depth	21 7/16	545
H	Control panel height	3 15/16	100
I	Door-to-control panel gap	9/32	7
J	Door upper edge height (from chassis base datum)	19 5/16	491
K	Door lower edge height (from chassis base datum)	3/8	9
L	Door open depth at 90° (from product front)	8 1/4	463

Minimum Clearances		inch	mm
	Cavity height	min 22 13/16	min 580
	Cavity width	min 22 1/16	min 560
	Cavity depth (from chassis front datum)	min 21 5/8	min 550
	Front frame clearance - top & sides	min 1/16	min 2

----- INDICATES PRODUCT DATUM
 - - - - - INDICATES CABINETRY CLEARANCES

IMPORTANT NOTE: Throughout this guide, dimensions may vary by ±2mm (1/16"). Please read the installation manual for detailed information on installing the product. For full installation instructions & specifications visit fisherpaykel.com



Model no:

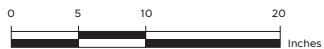
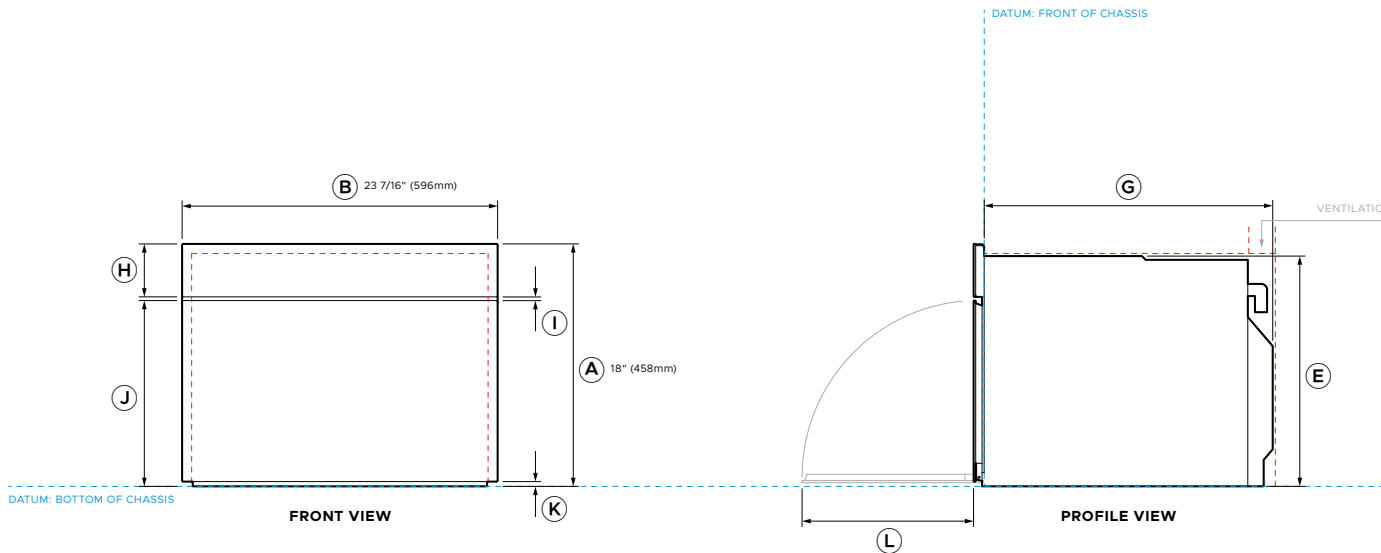
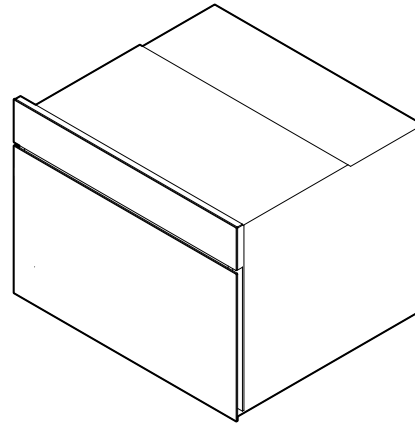
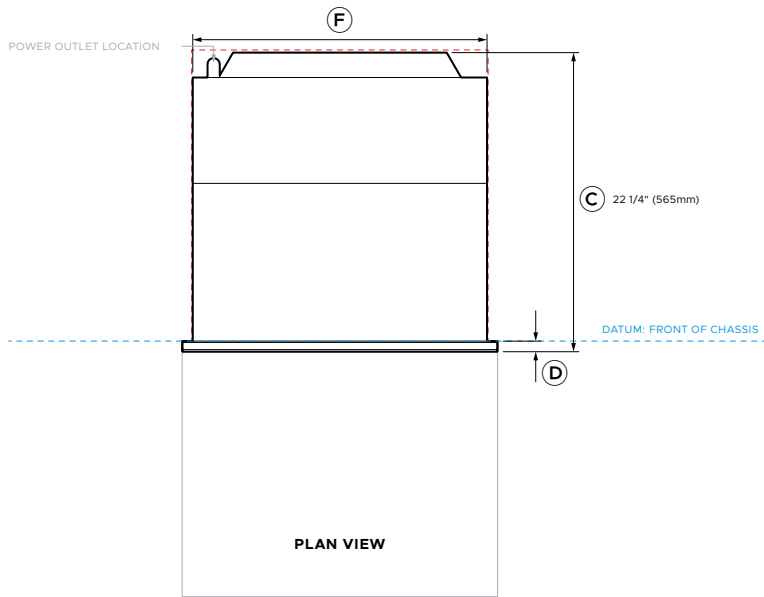
OS24NAMHUNB5	24" Series 11 Minimal Handleless Compact Combi-Steam Oven - Black
OS24NAMHUNG5	24" Series 11 Minimal Handleless Compact Combi-Steam Oven - Grey

Product Dimensions	inch	mm
A Overall product height	18	458
B Overall product width	23 7/16	596
C Overall product depth	22 1/4	565
D Front frame depth	13/16	20
E Chassis height	17 1/8	435
F Chassis width	21 7/8	556
G Chassis depth	21 7/16	545
H Control panel height	3 15/16	100
I Door-to-control panel gap	9/32	7
J Door upper edge height (from chassis base datum)	13 13/16	351
K Door lower edge height (from chassis base datum)	3/8	9
L Door open depth at 90° (from product front)	12 3/4	324

Minimum Clearances	inch	mm
Cavity height	min 17 5/16	min 440
Cavity width	min 22 1/16	min 560
Cavity depth (from chassis front datum)	min 21 5/8	min 550
Front frame clearance - top & sides	min 1/16	min 2

----- INDICATES PRODUCT DATUM
 - - - - - INDICATES CABINETRY CLEARANCES

IMPORTANT NOTE: Throughout this guide, dimensions may vary by ±2mm (1/16"). Please read the installation manual for detailed information on installing the product. For full installation instructions & specifications visit fisherpaykel.com



Model no:

OM24NMUNB5	24" Series 11 Minimal Handleless Compact Convection-Speed Oven - Black
OM24NMUNG5	24" Series 11 Minimal Handleless Compact Convection-Speed Oven - Grey

Product Dimensions	inch	mm
A Overall product height	18	458
B Overall product width	23 7/16	596
C Overall product depth	22 1/4	565
D Front frame depth	13/16	20
E Chassis height	17 1/8	435
F Chassis width	21 7/8	556
G Chassis depth	21 7/16	545
H Control panel height	3 15/16	100
I Door-to-control panel gap	9/32	7
J Door upper edge height (from chassis base datum)	13 13/16	351
K Door lower edge height (from chassis base datum)	3/8	9
L Door open depth at 90° (from product front)	12 3/4	324

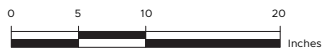
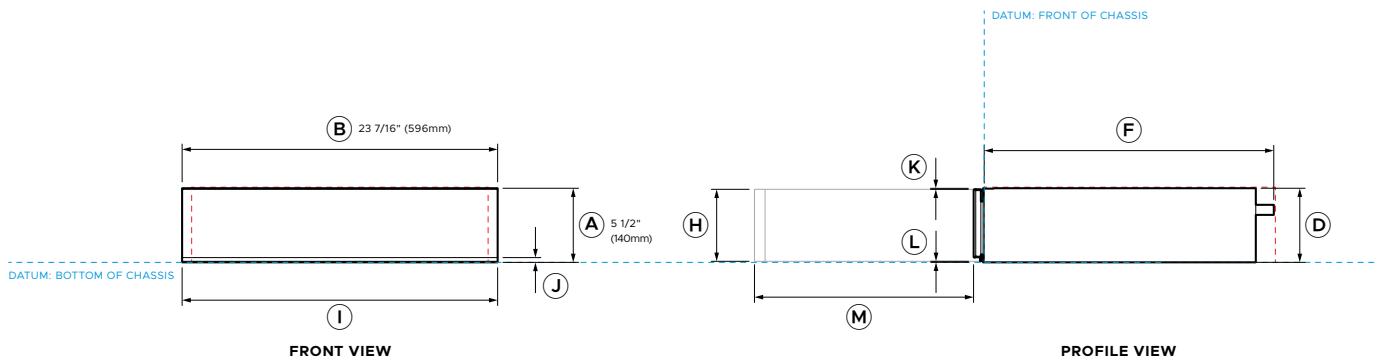
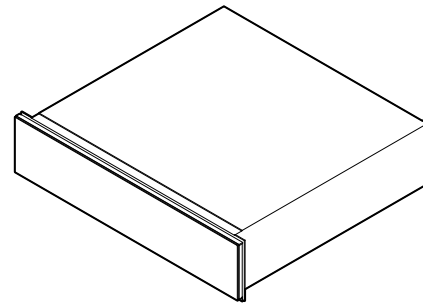
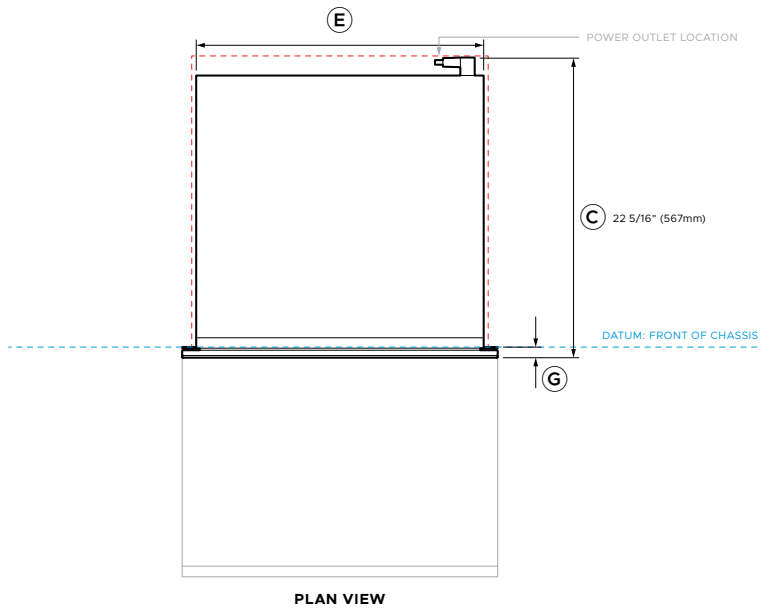
Minimum Clearances	inch	mm
Cavity height	min 17 5/16	min 440
Cavity width	min 22 1/16	min 560
Cavity depth (from chassis front datum)	min 21 5/8	min 550
Front frame clearance - top & sides	min 1/16	min 2

Ventilation Requirements	inch	mm
Rear ventilation opening height*	min 2	min 50
Rear ventilation opening width*	min 22 1/16	min 560

*Minimum total ventilation area of 43.4in² (280cm²) is required. The ventilation opening must be located at the rear of the cavity and may be positioned at the base, sides, or top of the cavity.

----- INDICATES PRODUCT DATUM
 - - - - - INDICATES CABINETRY CLEARANCES

IMPORTANT NOTE: Throughout this guide, dimensions may vary by ±2mm (1/16"). Please read the installation manual for detailed information on installing the product. For full installation instructions & specifications visit fisherpaykel.com



Model no:

WB24SMB3 24" Series 9 Minimal Warming Drawer - Black
WB24SMG3 24" Series 9 Minimal Warming Drawer - Grey

Product Dimensions		inch	mm
A	Overall product height	5 1/2	140
B	Overall product width	23 7/16	596
C	Overall product depth (includes power plug)	22 5/16	567
D	Chassis height	5 1/2	140
E	Chassis width	21 3/8	543
F	Chassis depth	21 9/17	547
G	Front frame depth (includes flange and front panel)	13/16	20
H	Front panel height	5 3/8	136
I	Front panel width	23 7/16	596
J	Front panel lower visual edge height (from chassis base datum)	3/8	9
K	Front panel upper edge to top of chassis	1/16	2
L	Front panel lower true edge height (from chassis base datum)	1/16	2
M	Drawer extension	max 16 5/16	max 414

Minimum Clearances		inch	mm
Cavity height			
- standalone installation		min 5 9/16	min 142
- stack installation		5 1/2	140
Cavity width		min 22 1/16	min 560
Cavity depth (from chassis front datum)		min 21 5/8	min 550
Front frame clearance - top & sides		min 1/16	min 2

Note: 24" Fisher & Paykel ovens can be installed directly onto the drawer. An intermediate shelf is not required.

----- INDICATES PRODUCT DATUM
 - - - - - INDICATES CABINETRY CLEARANCES

IMPORTANT NOTE: Throughout this guide, dimensions may vary by ±2mm (1/16"). Please read the installation manual for detailed information on installing the product. For full installation instructions & specifications visit fisherpaykel.com

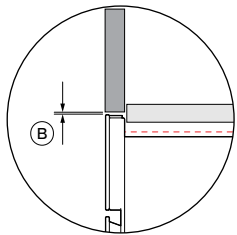
PLANNING CONSIDERATIONS

CABINETS CLEARANCES

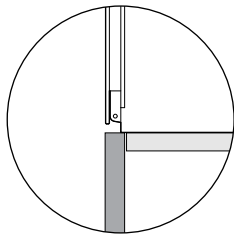
CLEARANCES		inch	mm
A	Front/custom panel clearance - sides	min 1/16	min 2
B	Front/custom panel clearance - top	min 1/16	min 2

UNDERBENCH

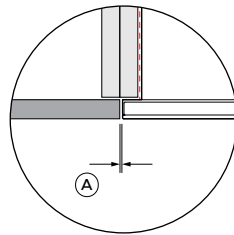
If installing a cooktop above the oven, ensure adequate clearance is provided for the cooktop as per the cooktop manufacturer's instructions.



DETAIL 1
PROFILE VIEW

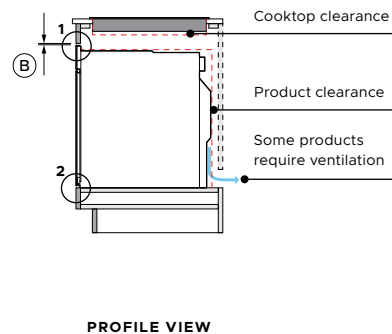
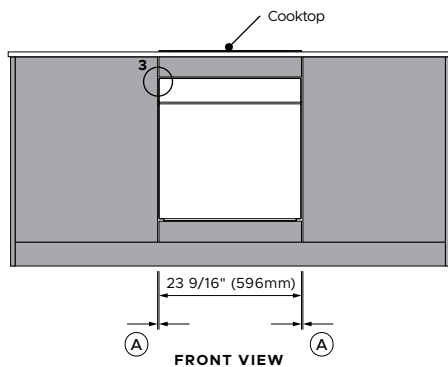


DETAIL 2
PROFILE VIEW



DETAIL 3
PLAN VIEW

Products require no bottom clearance between product to cabinetry front panel or appliance.



INSTALLATION

SINGLE

Head to the 'Data Sheets' section in this Planning Guide for details.

STACKED OR GRID

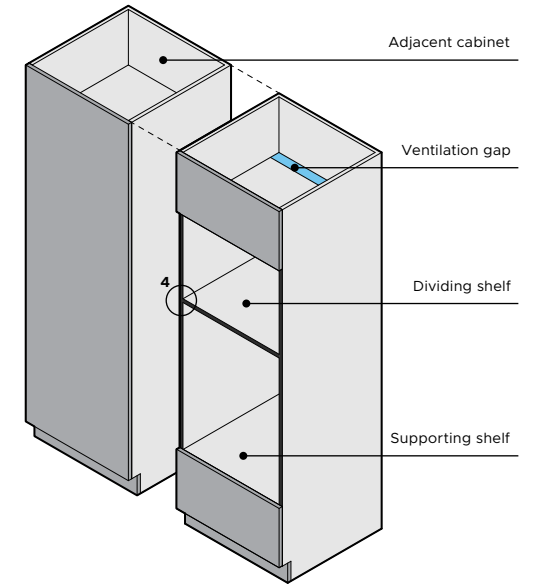
Head to the 'Stack Height' section in this Planning Guide for details.

BLACK CLASHING

Black edge clashing is recommended on all front facing panels and openings at product locations, and on side cabinet panels where a rebated exists.

DIVIDING SHELF

If the appliance front panel is thicker than the cabinetry front panel, adjust the dividing shelf depth to ensure the oven sits flush with the front of the cabinetry.

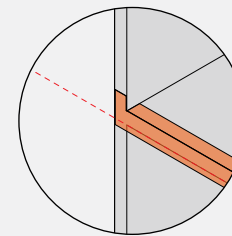


OVEN CABINETS TRIM (OPTIONAL)

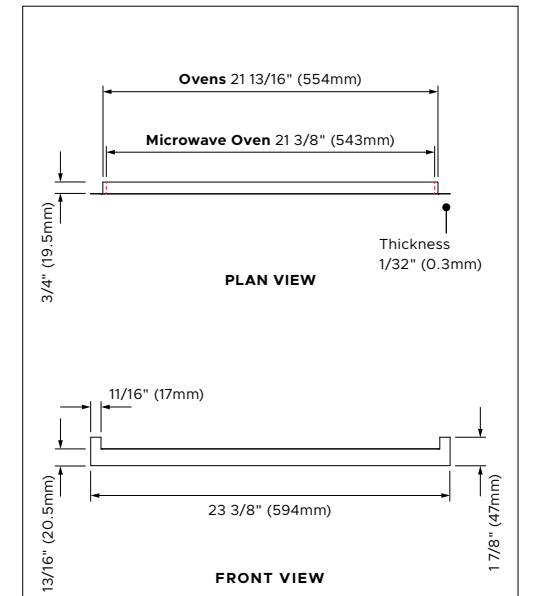
An optional black cabinetry trim is supplied with all ovens.

Prior to installation, check the trim height against dividing or supporting shelves. If required, score and cut the trim to the appropriate height to prevent interference.

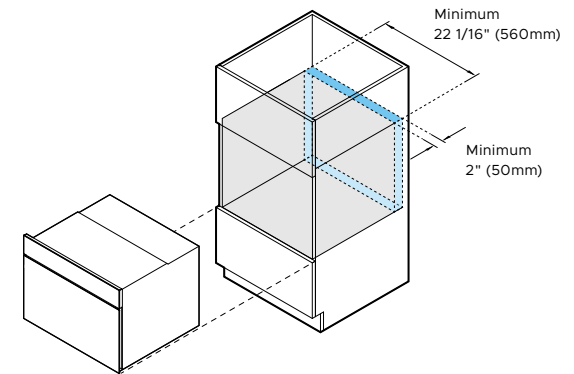
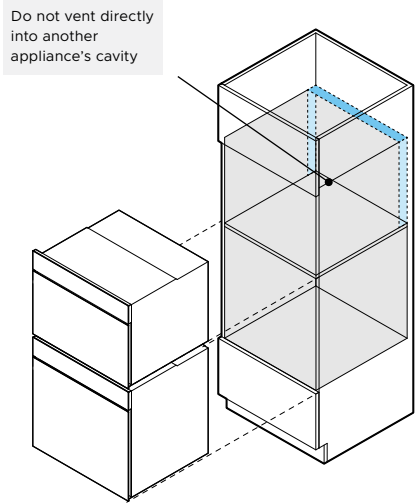
Note: Microwave ovens has a different trim width. Ensure the correct trim is used for each appliance.



DETAIL 4
ISOMETRIC VIEW



The models shown in this Planning Guide may not be available in all markets and are subject to change at any time. Product specifications may vary from those shown. This Planning Guide should not be used as installation guidance for any product. Further information is required to safely and correctly install the products featured here. Specific installation guidance will be available with the product on delivery and on our website fisherpaykel.com



Options for total minimum ventilation area

VENTILATION

Ventilation is required to ensure proper performance of certain products.

Possible Venting Locations:

- Space behind the cabinet
- Upper cavity (not a product cavity)
- Toe kick cavity
- Adjacent cabinetry (not a product cavity)

Cabinet with back panel or installed against a wall:

Select one of the venting locations listed above, providing the required minimum ventilation area.

Cabinet without back panel:

If the cabinet is manufactured without a back panel and is not positioned directly against a wall, the open back will provide sufficient ventilation.

Do not vent directly into another appliance's cavity.

COMPACT CONVECTION-SPEED OVEN

OM24NMUNB5, OM24NMUNG5

VENTILATION PLACEMENT

Total minimum ventilation area	43.4in (280cm ²) or 2" x 22 1/16" (50mm x 560mm)
Cavity venting options	base, sides, top or back

The models shown in this Planning Guide may not be available in all markets and are subject to change at any time. Product specifications may vary from those shown. This Planning Guide should not be used as installation guidance for any product. Further information is required to safely and correctly install the products featured here. Specific installation guidance will be available with the product on delivery and on our website fisherpaykel.com

STACK HEIGHT

Stack height is overall product height with minimum clearance above appliance control panel or front panel.

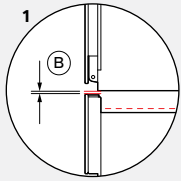
A Overall product height

+

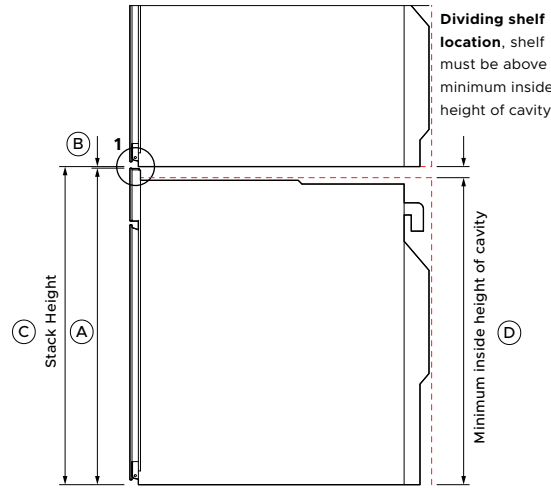
B Minimum top clearance above appliance front/custom panel to upper appliance

=

C Stack Height



DETAIL 1
PROFILE VIEW



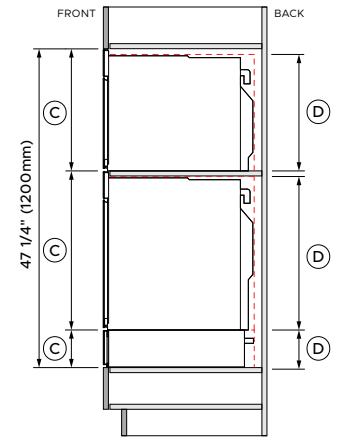
PROFILE VIEW

Ventilation air vent is required at rear of cabinetry for some products.

Dividing shelves are required to support stacked appliances and to achieve correct clearance.

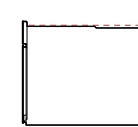
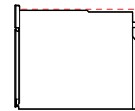
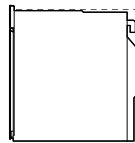
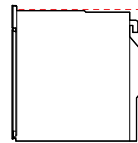
Dividing shelves must be constructed from material that will support the weight of the appliances. Ensure the product is not bearing any weight from cabinetry or products installed above.

Drawers can fully support a 24" Fisher & Paykel ovens. An intermediate shelf is not required.



EXAMPLE
PROFILE VIEW

MINIMUM INSIDE HEIGHT OF CAVITY

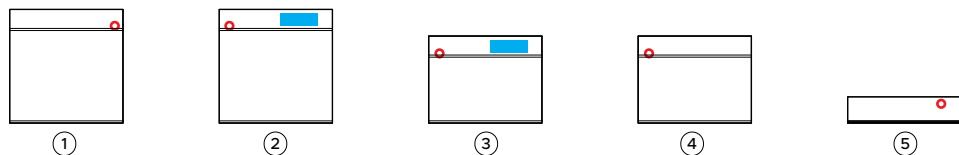


DIMENSIONS	SELF-CLEANING OVEN OB24SAMPUNB5, OB24SAMPUNG5		COMBI-STEAM OVEN OS24SAMHUNB5, OS24SAMHUNG5		COMPACT COMBI-STEAM OVEN OS24NAMHUNB5, OS24NAMHUNG5		COMPACT CONVECTION-SPEED OVEN OM24NMUNB5, OM24NMUNG5		WARMING DRAWER WB24SMB3, WB24SMG	
	inch	mm	inch	mm	inch	mm	inch	mm	inch	mm
A Overall product height	23 9/16	598	23 9/16	598	18	458	18	458	5 1/2	140
B Minimum top clearance above appliance front/custom panel	1/16	2	1/16	2	1/16	2	1/16	2	-	-
C Stack height	23 5/8	600	23 5/8	600	18 1/8	460	18 1/8	460	5 1/2	140*
D Minimum cavity height	22 13/16	580	22 13/16	580	17 5/16	440	17 5/16	440	5 1/2	140

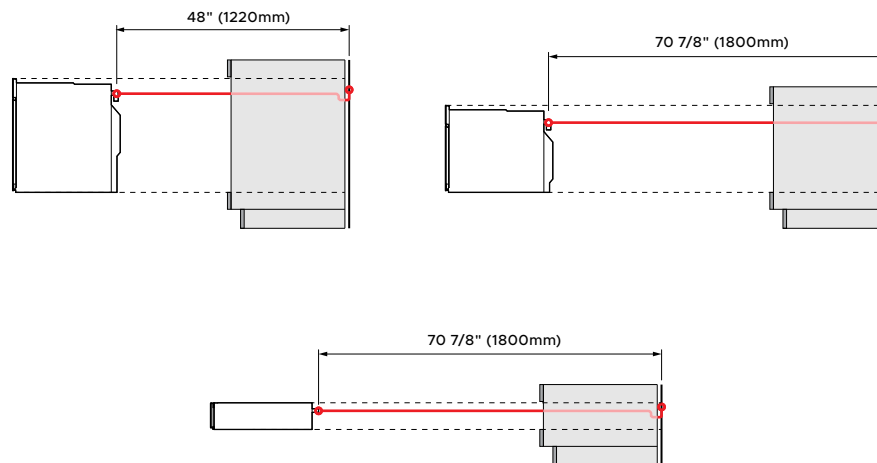
*24" Fisher & Paykel ovens can be installed directly onto the drawer. An intermediate shelf is not required. Note: Standalone installation of drawers require minimum clearance above, head to 'Data Sheets' section of this Planning Guide for more details.

The models shown in this Planning Guide may not be available in all markets and are subject to change at any time. Product specifications may vary from those shown. This Planning Guide should not be used as installation guidance for any product. Further information is required to safely and correctly install the products featured here. Specific installation guidance will be available with the product on delivery and on our website fisherpaykel.com

SERVICES



FRONT VIEW



PROFILE VIEW

CONNECTION

Connections may be located in an adjacent cabinet to either side of the appliance. Ensure power will remain accessible following installation to allow access for any future product maintenance.

POWER CONNECTION WATER TANK LOCATION

HARD-WIRED

For more information on electrical requirements, refer to the Installation Guide.

	1	2	3	4	5
SERIES 11	SELF-CLEANING OVEN OB24SAMPUNB5, OB24SAMPUNG5	COMBI-STEAM OVEN OS24SAMHUNB5 OS24SAMHUNG5	COMPACT COMBI-STEAM OVEN OS24NAMHUNB5 OS24NAMHUNG5	COMPACT CONVECTION-SPEED OVEN OM24NMUNB5 OM24NMUNG5	WARMING DRAWERS WB24SMB3 WB24SMG3
SERIES 9					
POWER CONNECTION					
Connection	Hard-wired 48" (1220mm)	Hard-wired 48" (1220mm)	Hard-wired 48" (1220mm)	Hard-wired 70 7/8" (1800mm)	Flex cord 70 7/8" (1800mm)
Location	upper right	upper left	upper left	upper left	upper right
ELECTRICAL					
Dedicated Circuit (A)	20	20	20	20	15
Rated Power (W)	4200 / 3200	4200 / 3200	4200 / 3200	3300 / 3900	930
Supply (Hz)	60	60	60	60	60
Voltage (V)	208 / 240	208 / 240	208 / 240	208 / 240	120

Note: Multiple product installation requires the design of power outlets according to local regulations.

The models shown in this Planning Guide may not be available in all markets and are subject to change at any time. Product specifications may vary from those shown. This Planning Guide should not be used as installation guidance for any product. Further information is required to safely and correctly install the products featured here. Specific installation guidance will be available with the product on delivery and on our website fisherpaykel.com

