

SERIES 5 INDUCTION HOBS

PLANNING GUIDE

CI604CTB2 | **60CM 4 ZONE INDUCTION HOB**

CI905CTB2 | **90CM 5 ZONE INDUCTION HOB**

FISHER & PAYKEL

INTRODUCTION

This comprehensive planning guide provides you with the framework and tools to achieve your desired design outcome with Fisher & Paykel appliances. In this guide, you will find a range of conceptual, detailed, and dimensional product information to bring your ideas to life and create spaces that truly reflect your vision.

SUPPORT

For additional design planning and installation support please contact the Fisher & Paykel design support team. designsupport@fisherpaykel.com

NOTES

The models shown in this Planning Guide may not be available in all markets and are subject to change at any time. Refer to our website fisherpaykel.com for the latest document version. Product specifications may vary from those shown.
This Planning Guide should not be used as installation guidance for any product. Specific installation guidance will be available with the product on delivery and on our website.

CONTENTS

CONCEPT DESIGN		PAGE	DEVELOPED AND DETAILED DESIGN		PAGE	DEVELOPED AND DETAILED DESIGN		PAGE
SPECIFICATION GUIDE			PLANNING CONSIDERATIONS					
CI604CTB2		4	Ventilation		12			
CI905CTB2		6	Cabinetry		13			
DATA SHEETS								
CI604CTB2		9						
CI905CTB2		10						

SPECIFICATION GUIDE



OVERVIEW

The 60cm 4 Zone induction hob features intuitive single-slider control, sleek black glass, and four versatile cooking zones. With Link mode to connect the hob to a compatible rangehood, plus SmartHQ™ connectivity and safety features, it provides efficient, convenient cooking.

PRODUCTS

CI604CTB2
60cm Series 5 4 Zone Induction Hob

FEATURES

- ① Four versatile cooking zones for efficient multi-dish cooking.
- ② Single slider control for precise and intuitive cooking adjustments.
- ③ Sleek black glass surface complements modern kitchen designs.
- ④ Link mode connects cooktop and rangehood for automatic extraction.
- ⑤ Auto switch-off feature for enhanced safety during cooking.
- ⑥ Overheating protection prevents damage to the hob during high temperatures.
- ⑦ Over-spillage protection ensures safety in case of spills or overflow.
- ⑧ PowerBoost activates a very high heat, rapidly bringing liquid to a boil.

The models shown in this Planning Guide may not be available in all markets and are subject to change at any time. Product specifications may vary from those shown. Throughout this guide, dimensions may vary by ± 2 mm. This Planning Guide should not be used as installation guidance for any product. Further information is required to safely and correctly install the products featured here. Specific installation guidance will be available with the product on delivery and on our website fisherpaykel.com

SPECIFICATIONS

Model Number

CI604CTB2 60cm Series 5 4 Zone Induction Hob

Weight

Packaged 10 kg

Unpackaged 9 kg

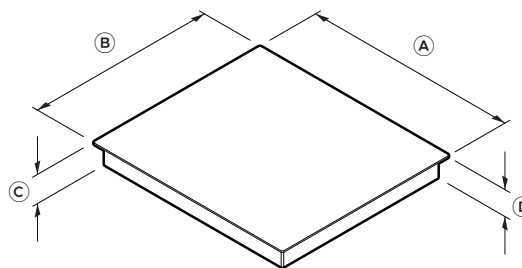
Electrical

Supply 220-240 V, 50 Hz
380-415 V, 50 Hz

Service 32 A

Connection 1200mm cable

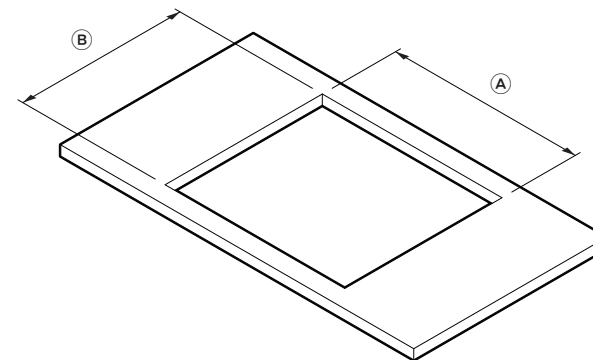
PRODUCT DIMENSIONS



ISOMETRIC VIEW

Product Dimensions		mm
A	Overall width of hob	600
B	Overall depth of hob	530
C	Overall height of hob	61
D	Height of chassis	56

CUTOUT DIMENSIONS



ISOMETRIC VIEW

Cutout Dimensions		mm
A	Cutout width	560
B	Cutout depth	490

The models shown in this Planning Guide may not be available in all markets and are subject to change at any time. Product specifications may vary from those shown. Throughout this guide, dimensions may vary by ±2mm. This Planning Guide should not be used as installation guidance for any product. Further information is required to safely and correctly install the products featured here. Specific installation guidance will be available with the product on delivery and on our website fisherpaykel.com



OVERVIEW

The 90cm 5 Zone induction hob features sleek black glass and five versatile cooking zones for maximum flexibility. With single-slider control and Link mode to connect the hob to a compatible rangehood, this cooktop delivers efficient cooking. SmartHQ™ connectivity and built-in safety features make it convenient to use every day.

PRODUCTS

CI905CTB2
90cm Series 5 5 Zone Induction Hob

FEATURES

- ① Five versatile cooking zones for maximum cooking flexibility.
- ② Sleek black glass surface complements modern kitchen designs.
- ③ Single slider control for precise and intuitive cooking adjustments.
- ④ Link mode connects hob and rangehood for automatic extraction.
- ⑤ Auto switch-off feature for enhanced safety during cooking.
- ⑥ Overheating protection prevents damage to the hob during high temperatures.
- ⑦ Over-spillage protection ensures safety in case of spills or overflow.
- ⑧ PowerBoost activates a very high heat, rapidly bringing liquid to a boil.

The models shown in this Planning Guide may not be available in all markets and are subject to change at any time. Product specifications may vary from those shown. Throughout this guide, dimensions may vary by ± 2 mm. This Planning Guide should not be used as installation guidance for any product. Further information is required to safely and correctly install the products featured here. Specific installation guidance will be available with the product on delivery and on our website fisherpaykel.com

SPECIFICATIONS

Model Number

CI905CTB2 90cm Series 5 5 Zone Induction Hob

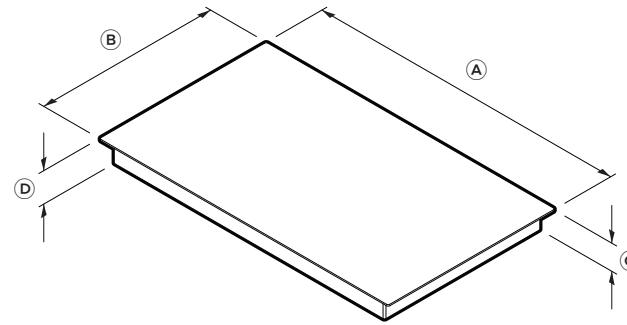
Weight

Packaged 17 kg
 Unpackaged 14 kg

Electrical

Supply 220-240 V, 50 Hz
 380-415 V, 50 Hz
 Service 45 A
 Connection 1200mm cable

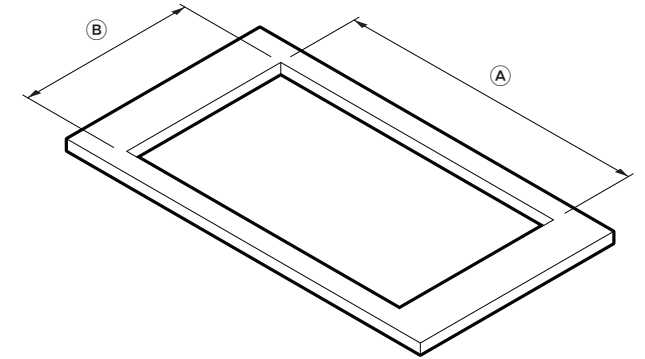
PRODUCT DIMENSIONS



ISOMETRIC VIEW

Product Dimensions	mm
A Overall width of product	900
B Overall depth of product	530
C Overall height of product	61
D Height of chassis	56

CUTOUT DIMENSIONS

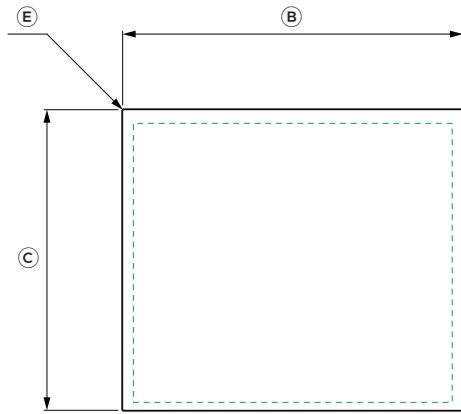


ISOMETRIC VIEW

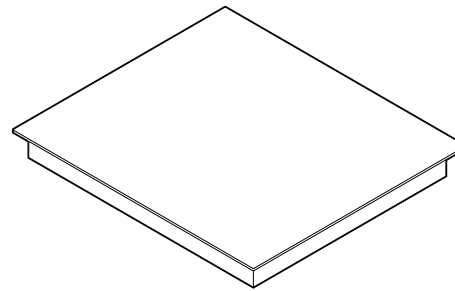
Cutout Dimensions	mm
A Cutout width	850
B Cutout depth	490

The models shown in this Planning Guide may not be available in all markets and are subject to change at any time. Product specifications may vary from those shown. Throughout this guide, dimensions may vary by ±2mm. This Planning Guide should not be used as installation guidance for any product. Further information is required to safely and correctly install the products featured here. Specific installation guidance will be available with the product on delivery and on our website fisherpaykel.com

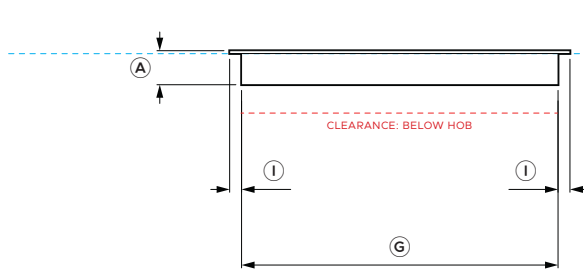
DATA SHEETS



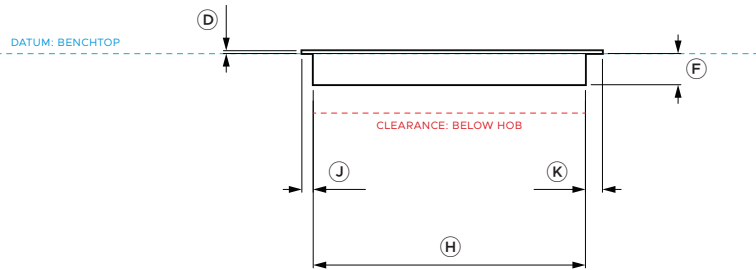
VIEW



PROFILE VIEW



FRONT VIEW



PROFILE VIEW



Model no:

CI604CTB2 60cm Series 5 5 Zone Induction Hob

Product Dimensions

mm

(A) Overall height of hob	61
(B) Overall width of hob	600
(C) Overall depth of hob	530
(D) Height of hob glass (includes chassis flange)	5
(E) Corner radii of glass	2
(F) Height of chassis	56
(G) Width of chassis	558
(H) Depth of chassis	480
(I) Width of glass overhang at side of chassis	21
(J) Depth of glass overhang at front of chassis	20
(K) Depth of glass overhang at rear of chassis	30

Cutout Dimensions

mm

Overall width of cutout	560
Overall depth of cutout	490
Maximum corner radii of cutout	10

Clearance Dimensions

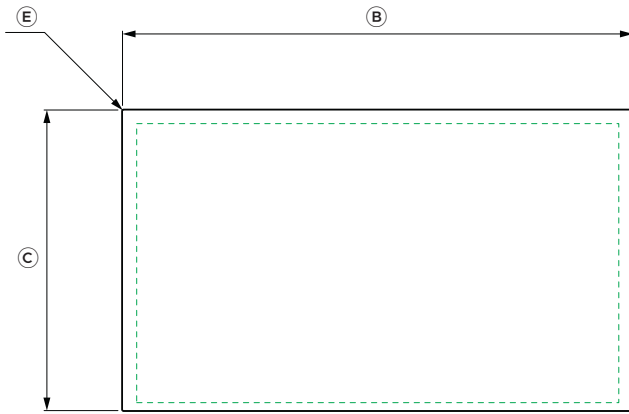
mm

Minimum clearance from side and rear edges of cutout to nearest combustible surface	50
Minimum clearance from front edge of cutout to front edge of benchtop	50
Minimum clearance from cook surface to top of any appliance, companion product or obstruction below hob	111
Minimum clearance from cook surface to rangehood	600
Minimum ventilation gap between bottom of benchtop and top of cabinetry fronts (not shown)	5

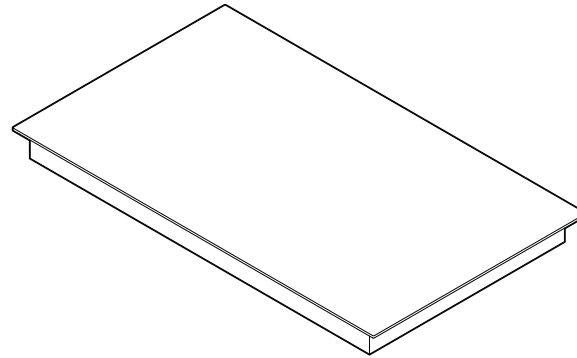
NOTE: An oven installed below the hob MUST have a cooling fan.

- INDICATES CABINETY / PRODUCT DATUM
- INDICATES CABINETY CLEARANCES
- INDICATES CUTOUT

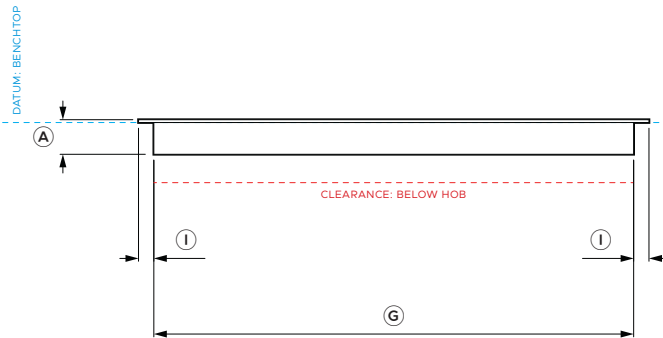
IMPORTANT NOTE: Throughout this guide, dimensions may vary by ±2mm (1/16"). Please read the installation manual for detailed information on installing the product. For full installation instructions & specifications visit fisherpaykel.com



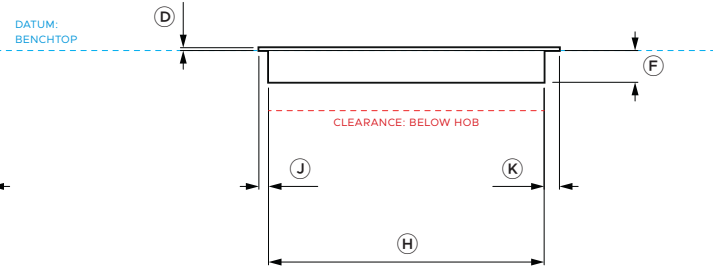
PLAN VIEW



PROFILE VIEW



FRONT VIEW



PROFILE VIEW



Model no:

CI905CTB2 90cm Series 5 5 Zone Induction Hob

Product Dimensions

	mm
(A) Overall height of hob	61
(B) Overall width of hob	900
(C) Overall depth of hob	530
(D) Height of hob glass (includes chassis flange)	5
(E) Corner radii of glass	2
(F) Height of chassis	56
(G) Width of chassis	846
(H) Depth of chassis	486
(I) Width of glass overhang at side of chassis	27
(J) Depth of glass overhang at front of chassis	17
(K) Depth of glass overhang at rear of chassis	27

Cutout Dimensions

	mm
Overall width of cutout	850
Overall depth of cutout	490
Maximum corner radii of cutout	10

Clearance Dimensions

	mm
Minimum clearance from side and rear edges of cutout to nearest combustible surface	50
Minimum clearance from front edge of cutout to front edge of benchtop	50
Minimum clearance from cook surface to top of any appliance, companion product or obstruction below hob	111
Minimum clearance from cook surface to rangehood	600
Minimum ventilation gap between bottom of benchtop and top of cabinetry fronts (not shown)	5

NOTE: An oven installed below the hob MUST have a cooling fan.

- INDICATES CABINETRY / PRODUCT DATUM
- INDICATES CABINETRY CLEARANCES
- INDICATES CUTOUT

IMPORTANT NOTE: Throughout this guide, dimensions may vary by ±2mm (1/16"). Please read the installation manual for detailed information on installing the product. For full installation instructions & specifications visit fisherpaykel.com

PLANNING CONSIDERATIONS

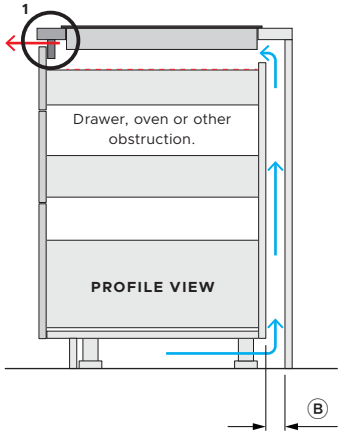
VENTILATION CLEARANCE BELOW HOB



PROFILE VIEW

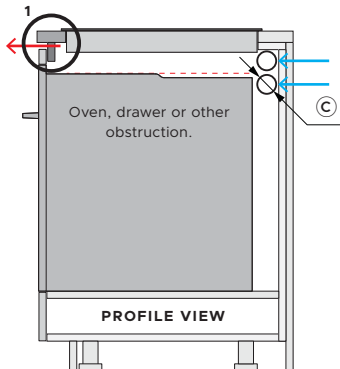
CLEARANCE REQUIREMENTS
To ensure adequate airflow clearance is required below hob to any appliance, companion product or obstruction.

VENTILATION AT REAR OF HOB



PROFILE VIEW

INTAKE OPTION A: SERVICE CHANNEL
Fresh air is drawn up from the toe kick cavity through a service channel at rear of cabinetry.
If cavities are tightly sealed, ventilation holes in the toe kick panel are required.

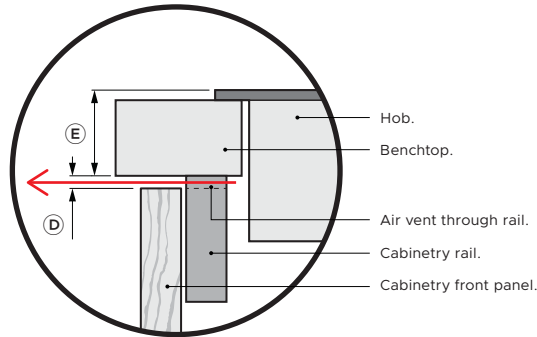


PROFILE VIEW

INTAKE OPTION B: ADJACENT CABINETS
2x Ø50 holes are required in each side wall through to adjacent cabinets. Total of 4x holes required.

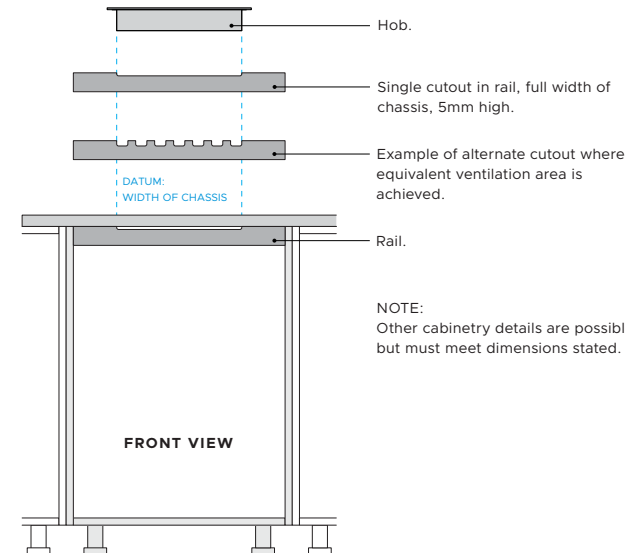
VENTILATION AT FRONT OF HOB

VENTILATION OUTLET
Hot air must be able to exit at front of cabinets.
THE MOST DIRECT ROUTE IS RECOMMENDED.



DETAIL 1 - PROFILE VIEW
VENTILATION AT FRONT

EXAMPLE VENTILATION CUTOUTS IN CABINERY RAIL



FRONT VIEW

VENTILATION OVERVIEW

These hobs require adequate supply of cool air to ensure optimum product performance.

The base of the hob must have direct unrestricted ventilation to the room where the hob is installed. There must be a 5mm air gap at the front of the hob.

Channels or cutouts are required in cabinetry to allow fresh air to enter and hot air to exit.

Ventilation Dimensions	mm
(A) Clearance from cook surface to any appliance, companion product or obstruction below	111
(B) Minimum ventilation gap at rear of cabinet*	20
(C) Diameter of ventilation holes into adjacent cabinets (4x required, 2x on each side of cabinet)*	50
(D) Ventilation gap at front of cabinet*	5
(E) Maximum position of ventilation gap from top of hob	40

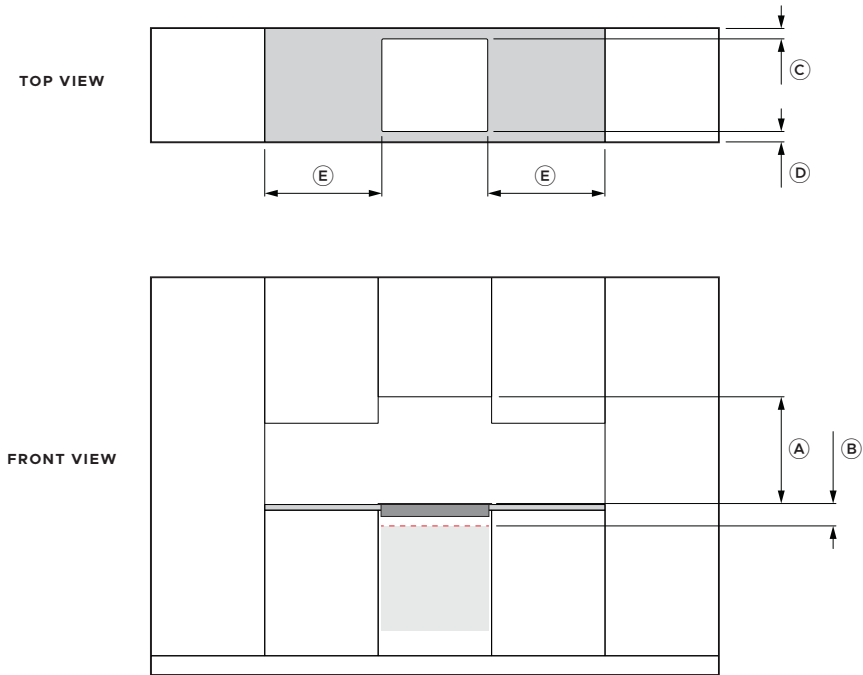
*ventilation gap or holes required, not both
**gap must run width of chassis

Ventilation Gap at Front of Hob	w x h	cm ²
CI604CTB2	558 x 5	28
CI905CTB2	846 x 5	43

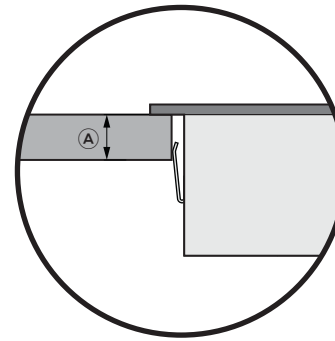
----- INDICATES CABINERY / PRODUCT DATUM
----- INDICATES CABINERY CLEARANCES
----- INDICATES CUTOUT

IMPORTANT NOTE: Throughout this guide, dimensions may vary by ±2mm (1/16"). Please read the installation manual for detailed information on installing the product. For full installation instructions & specifications visit fisherpaykel.com

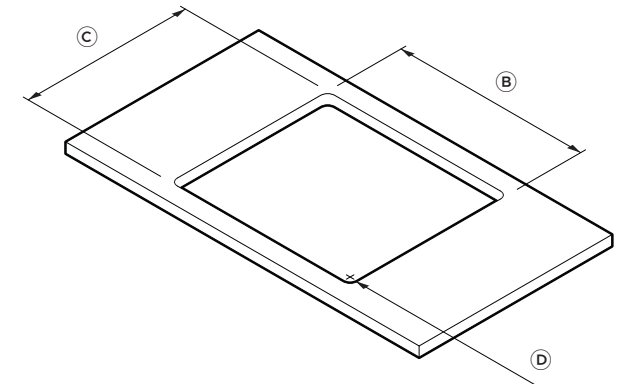
CABINETRY CLEARANCES



BENCHTOP DIMENSIONS



DETAIL - FRONT VIEW
BENCHTOP WITH HOB



ISO VIEW
BENCHTOP WITH CUTOUT

Cabinetry Clearance Dimensions		mm
A	Minimum clearance from cook surface to rangehood	600
B	Minimum clearance from cook surface to any appliance, companion product or obstruction below	111
C	Minimum clearance from rear edge of cutout to nearest combustibile surface	50
D	Minimum clearance from front edge of cutout to front edge of benchtop	50
E	Minimum clearance from side edges of cutout to nearest combustibile surface	50

NOTE: An oven installed below the hob **MUST** have a cooling fan.

Benchtop Dimensions		mm
A	Minimum thickness of benchtop for function of retention clips	18

Cutout Dimensions*		CI604CTB4	C905CTB2
B	Width of cutout	560	850
C	Depth of cutout	490	490
D	Maximum corner radii of cutout	10	10

*Cutout tolerance ± 2 mm

The models shown in this Planning Guide may not be available in all markets and are subject to change at any time. Product specifications may vary from those shown. Throughout this guide, dimensions may vary by ± 2 mm. This Planning Guide should not be used as installation guidance for any product. Further information is required to safely and correctly install the products featured here. Specific installation guidance will be available with the product on delivery and on our website fisherpaykel.com

