

INTEGRATED TALL DISHWASHER

PLANNING GUIDE

DW60UT4I2 | DW60UT4H12

FISHER & PAYKEL

This comprehensive Planning Guide provides you with the framework and tools to achieve your desired design outcome with Fisher & Paykel appliances. In this guide, you will find a range of conceptual, detailed, and dimensional product information to bring your ideas to life and create spaces that truly reflect your vision.

CONTENTS

CONCEPT DESIGN	PAGE	DEVELOPED AND DETAILED DESIGN	PAGE	DEVELOPED AND DETAILED DESIGN	PAGE
Specification guide DW60UT4I2, DW60UT4H12	4	Data Sheet Data Sheet	7		
		Design planning information	8		
		Installation Height	9		
		Recessed Handle	10		

The models shown in this Planning Guide may not be available in all markets and are subject to change at any time. Product specifications may vary from those shown. This Planning Guide should not be used as installation guidance for any product. Further information is required to safely and correctly install the products featured here. Specific installation guidance will be available on our website fisherpaykel.com

SPECIFICATION GUIDE



OVERVIEW

Designed to be integrated into your surrounding cabinetry for a seamless finish, these Tall models give generous internal space and installation flexibility for varying bench heights. Flexible storage allows for easy stacking, whilst the combination of clever technologies means a reliable wash performance.

PRODUCTS

Integrated Dishwasher, 60cm, Tall, Sanitise
DW60UT4I2, DW60UT4HI2

Not all models are available in all markets

SERIES & STYLE

Series 9
Integrated

FEATURES

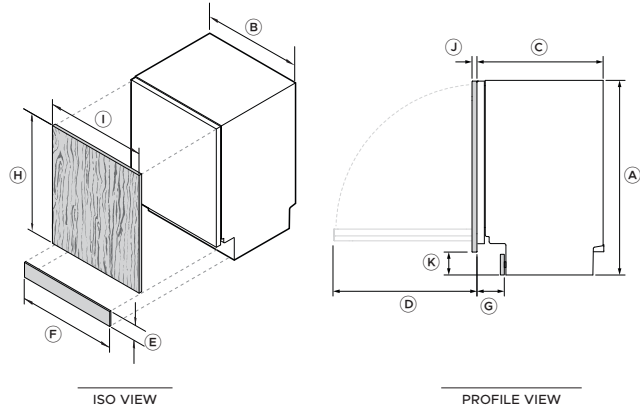
- ① Designed to be integrated into your cabinetry for a seamless finish, this model can be installed under bench with a minimum height of 857mm
- ② Tall height offers a generous 637mm of usable space and easily accommodates plate sizes up to 325mm
- ③ Eight wash programs including specialty Auto, Eco, 60 Min and Glassware cycles
- ④ Extra Dry, Sanitise, Half Load and Intensive wash modifiers provide extra wash options
- ⑤ Fan-assisted drying with end-of-cycle auto-door-open removes excess moisture, and leaves your dishes with a dry finish
- ⑥ An innovative air curtain channels the steam away from the adjacent benchtop, protecting your cabinetry
- ⑦ Fully flexible racking including height adjustable middle basket and cup racks, foldable wine racks, full-width utensil tray and cutlery basket
- ⑧ With touch controls, floor-light cycle status indicator and interior LED lighting
- ⑨ Wi-Fi capability and a SmartHQ™ app connectivity for remote control and notifications
- 10 B* Star energy*
- 11 Quiet wash performance, running at a low decibel rating of 42dBA, B sound rating**

* Subject to change. Final certification pending.

** Noise subject to change.

The models shown in this Planning Guide may not be available in all markets and are subject to change at any time. Product specifications may vary from those shown. This Planning Guide should not be used as installation guidance for any product. Further information is required to safely and correctly install the products featured here. Specific installation guidance will be available on our website fisherpaykel.com

PRODUCT DIMENSIONS



	mm
A Overall height*	857 - 917
B Overall width**	597
C Overall depth	554
D Minimum depth of open door	673
E Height of custom toe kick panel* ****	65 - 200
F Minimum width of custom toe kick panel***	595
G Depth of toe kick recess	45 - 120
H Minimum height of custom door panel	714
I Minimum width of custom door panel	595
J Depth of custom door panel	16 - 25
K Height from floor to door panel base*	65 - 200

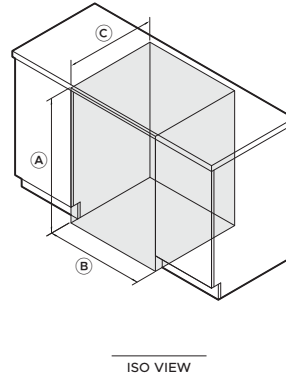
* Depending on adjustment of levelling feet

** Excluding side seals

*** Continuous toe kick installations are recommended

**** The toekick might have to be notched, to accommodate the door swing

CAVITY DIMENSIONS: STANDARD INSTALLATION

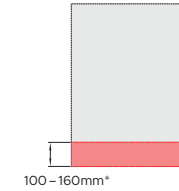


	mm
A Overall height*	857 - 917
B Minimum overall width	600
C Minimum overall depth of cavity**	580
Custom door panel weight	4 - 9kg

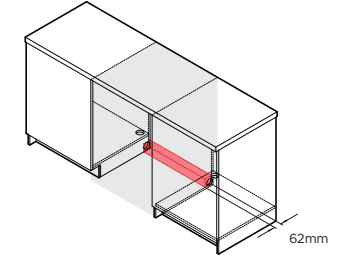
*Depending on adjustment of levelling feet

**Includes front panels

PLUMBING AND ELECTRICAL



REAR VIEW



ISO VIEW

Service outlet at rear extends both sides, hoses and cords can be routed to either or both sides.

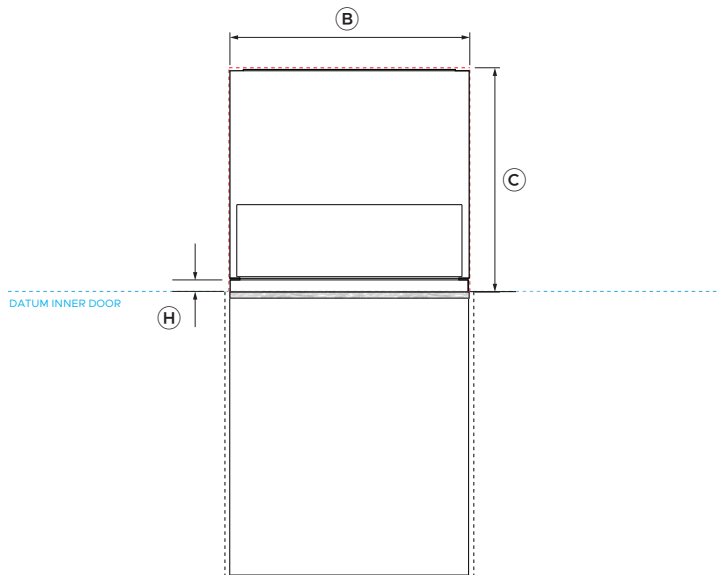
*Depending on adjustment of levelling feet.

PRODUCT SPECIFICATIONS

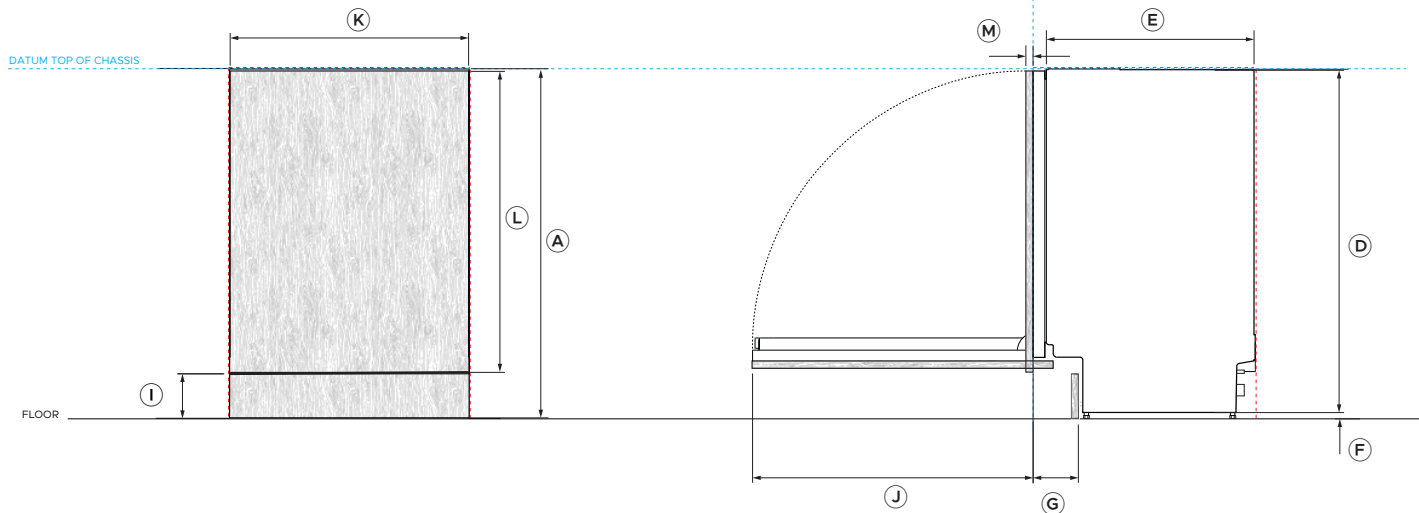
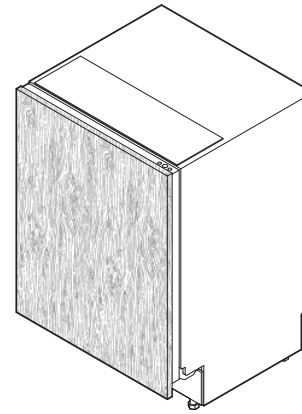
Model No.	DW60UT4I2, DW60UT4HI2
Dimensions	H 857 - 917mm W 597mm D 554mm
Electrical	
Supply	220-240 V, 50 Hz
Service	10A
Receptacle	3-prong grounding-type
Plumbing	
Supply	3/4" (20mm) BSP connector water inlet hose with Aquastop
Pressure	Min 0.03 Mpa (4.35psi), Max 1 Mpa (145psi) Cold water connection @ 20°C

The models shown in this Planning Guide may not be available in all markets and are subject to change at any time. Product specifications may vary from those shown. This Planning Guide should not be used as installation guidance for any product. Further information is required to safely and correctly install the products featured here. Specific installation guidance will be available on our website fisherpaykel.com

DATA SHEET



PLAN VIEW



FRONT VIEW

PROFILE VIEW



Model nos:
DW60UT4I2, DW60UT4HI2

Product Dimensions	mm
(A) Overall height of product*	857 - 917
(B) Overall width of product**	597
(C) Overall depth of product (excl. custom panel and handle)	554
(D) Height of chassis	857
(E) Depth of chassis (excl. inner door)	521
(F) Height of feet*	0 - 60
(G) Depth of toe kick recess	45 - 120
(H) Depth of inner door	28
(I) Height from to bottom of door to floor*	65 - 200
(J) Minimum depth of open door	673
(K) Minimum width of custom door panel	595
(L) Height of custom door panel	714 - 789
(M) Thickness custom door panel	16 - 25

*Depending on adjustment of levelling feet
**Excluding side seals

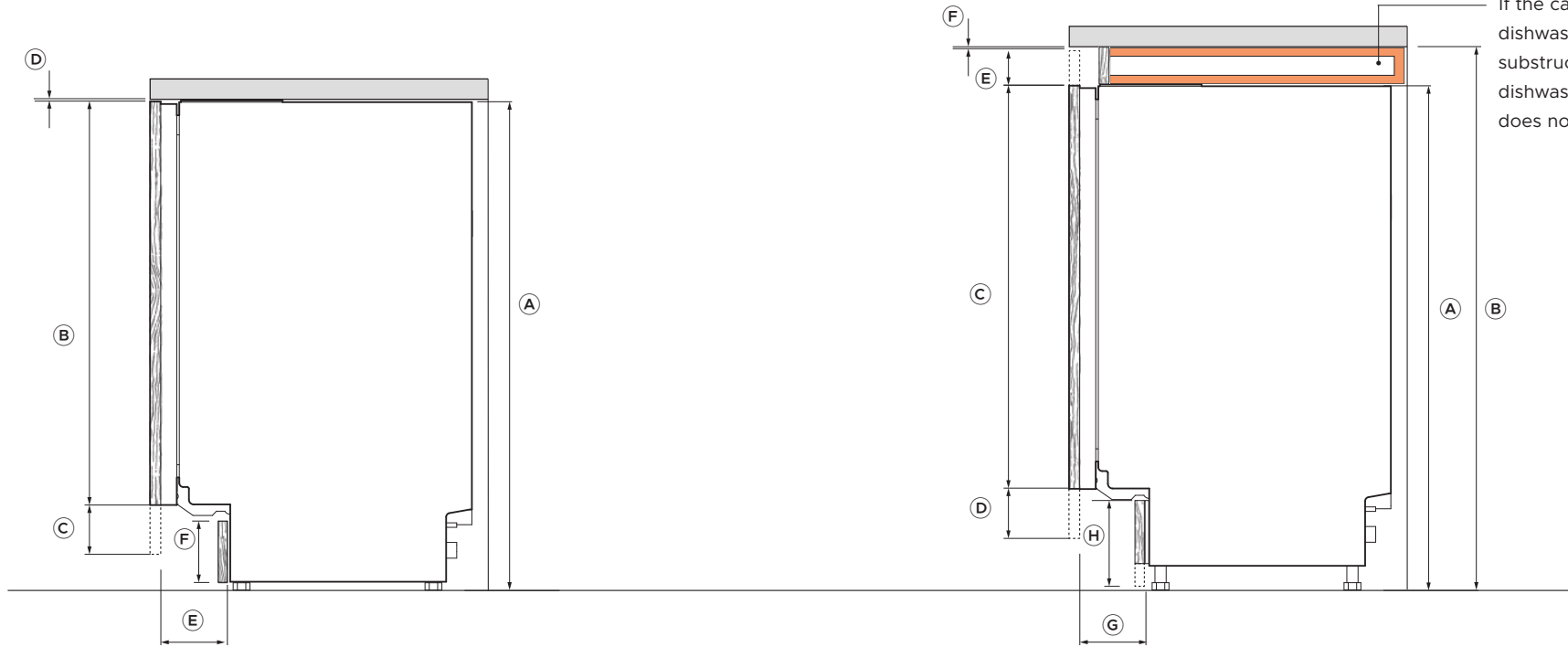
Minimum Clearances	mm
Inside height of cavity*	857 - 917
Minimum inside width of cavity	600
Minimum overall depth of cavity	580
Minimum clearance to corner cupboard	13
Height of toe kick area*	65 - 200
Minimum clearance to adjacent cupboard door	2

*Depending on adjustment of levelling feet

PRODUCT DATUM -----
INDICATES CABINETRY CLEARANCES -----

IMPORTANT NOTE: Throughout this guide, dimensions may vary by ±2mm (1/16"). Please read the Installation Guide for detailed information on installing the product. For full installation instructions visit fisherpaykel.com

DESIGN PLANNING INFORMATION



Minimum height Installation	mm
Ⓐ Minimum overall height of product and cavity (feet at lowest)	857
Ⓑ Minimum height of custom door panel	714
Ⓒ Maximum extension bottom custom door panel	75
Ⓓ Minimum gap between door panel and bench top	3
Ⓔ Depth of toe kick recess	45 - 120
Ⓕ Minimum height toe kick	65

Maximum height Installation	mm
Ⓐ Maximum overall height of product (feet fully extended)	917
Ⓑ Maximum cavity height (with door panel extension)	980
Ⓒ Minimum height of custom door panel	714
Ⓓ Maximum extension bottom custom door panel	75
Ⓔ Maximum recommended extension top custom door panel	60
Ⓕ Minimum gap between door panel and bench top	3
Ⓖ Depth toe kick recess	45 - 120
Ⓗ Maximum height toe kick	200

Recessed handle	mm
Ⓐ Height product	857 - 917
Ⓑ Minimum cavity height	857
Ⓒ Minimum height of custom door panel	714
Ⓓ Maximum custom door panel bottom extension	75
Ⓔ Recommended height sub-structure	45
Ⓕ Minimum recommended clearance between custom door panel and bench	35
Ⓖ Height toe kick	65 - 200
Ⓗ Depth toe kick	45 - 120
Ⓘ Minimum toe kick thickness	16

