

SERIES 9 INTEGRATED COOLDRAWER™

---

# PLANNING GUIDE

---

RB9064S1

**INTRODUCTION**

This comprehensive planning guide provides you with the framework and tools to achieve your desired design outcome with Fisher & Paykel appliances. In this guide, you will find a range of conceptual, detailed, and dimensional product information to bring your ideas to life and create spaces that truly reflect your vision.

**SUPPORT**

For additional design planning and installation support please contact the Fisher & Paykel design support team.  
**designsupport@fisherpaykel.com**

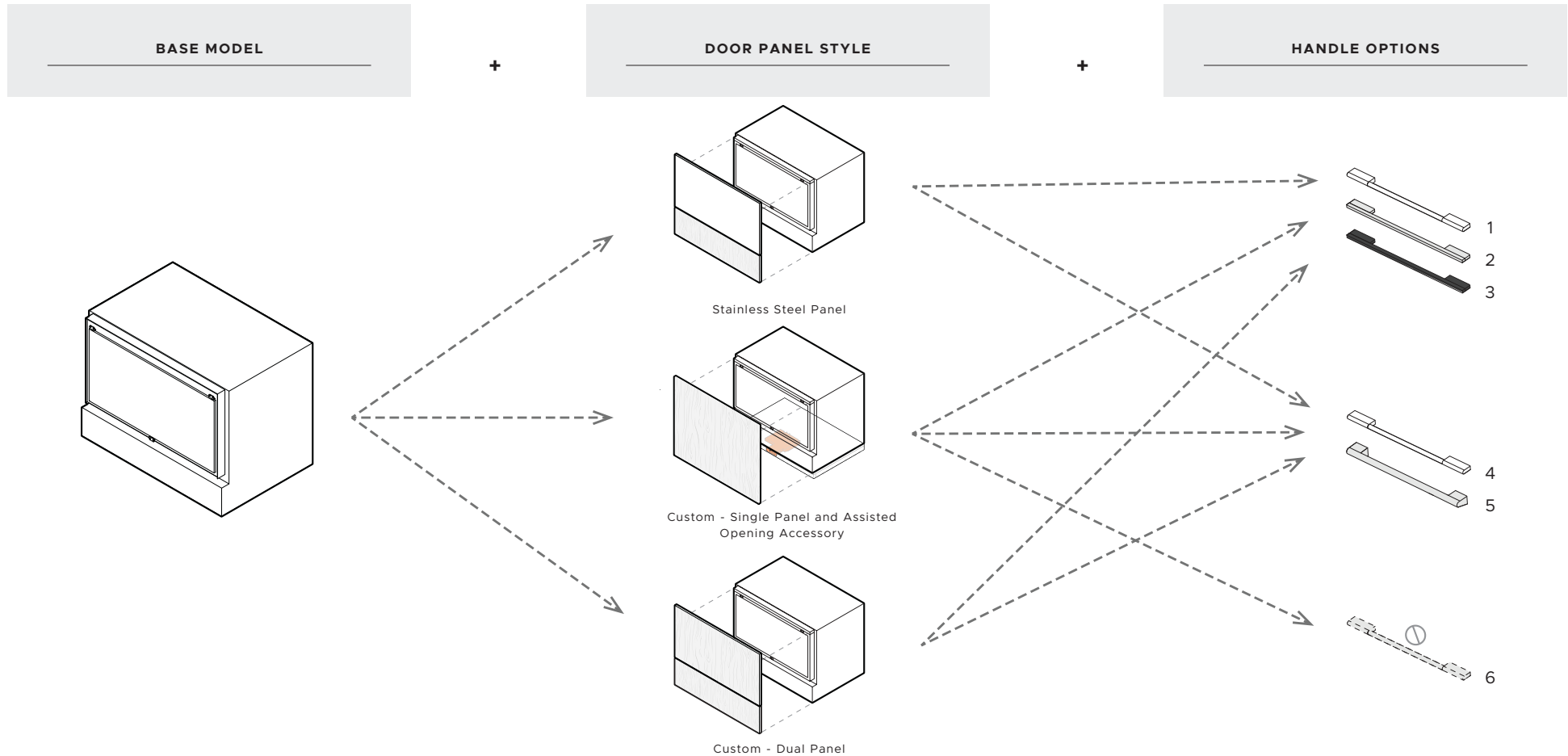
**NOTES**

The models shown in this Planning Guide may not be available in all markets and are subject to change at any time. Refer to to our website fisherpaykel.com for the latest document version. Product specifications may vary from those shown.  
 This Planning Guide should not be used as installation guidance for any product. Specific installation guidance will be available with the product on delivery and on our website.

**CONTENTS**

CONCEPT DESIGN		PAGE	DEVELOPED AND DETAILED DESIGN		PAGE	DEVELOPED AND DETAILED DESIGN		PAGE
DESIGN CHOICES			DATA SHEETS			SERVICES		
Purchase Decisions		4	Main Body (No Door Panel)		9	Electrical Specifications		21
SPECIFICATION GUIDE			Stainless Steel Door Panel		10	CUSTOM DOOR PANEL PREPARATION		
Series 9 Integrated CoolDrawer™		6	Custom Door Panel (Dual)		11	Custom Door Panel Preparation		23
Series 9 Integrated CoolDrawer™		7	Custom Door Panel (Single)		12			
			VENTING SPECIFICATIONS					
			Venting Options		14			
			Cabinetry Dimensions		15			
			DOOR PANEL OPTIONS					
			Stainless Steel Door Panel		17			
			Custom Door Panel (Dual)		18			
			Custom Door Panel (Single)		19			

## DESIGN CHOICES



BASE MODEL	MODELS	DOOR PANEL MODELS	HANDLE MODELS		
Integrated CoolDrawer™	RB9064S1	Stainless Steel Door Panel	RD9064S		
		Custom Door Panel			
				① Stainless steel - Classic handle	AHCL-RD90S
				② Stainless steel silver - Square fine door handle	AHD5-RD90S
				③ Stainless steel black - Square fine handle	AHD5-RD90SB
				④ Aluminium silver - Contemporary round door handle	AHS-RB90S
		⑤ Stainless steel - Professional round flush handle	AHP3-RD90S		
		⑥ No handle - Assisted Opening Accessory	(Refer to AOA Planning guide for more information)		

The models shown in this Planning Guide may not be available in all markets and are subject to change at any time. Product specifications may vary from those shown. This Planning Guide should not be used as installation guidance for any product. Further information is required to safely and correctly install the products featured here. Specific installation guidance will be available with the product on delivery and on our website [fisherpaykel.com](http://fisherpaykel.com)

## SPECIFICATION GUIDE



### OVERVIEW

Designed for seamless integration, the CoolDrawer™ provides adaptable cooling for any space with five temperature modes; Freezer, Fridge, Pantry, Chill, and Wine. Its fully extendable drawer and touch control panel ensure effortless operation, while panel-ready design options allow for a flush, cohesive look. Ideal for custom kitchens and multi-functional spaces, it delivers both form and function.

### PRODUCTS

**RB90S64MKIW1**  
90cm Series 9  
Integrated CoolDrawer™ Multi-temperature Drawer



### FEATURES

- ① Suitable for a wide range of spaces, from kitchens to entertainment areas - offering versatile cooling solutions
- ② Five temperature modes; Freezer, Fridge, Pantry, Chill, and Wine
- ③ Designed for flush installation with minimal 4mm gaps, ensuring a seamless integrated look
- ④ Panel-ready design allows for stainless steel or custom finishes, blending effortlessly with cabinetry
- ⑤ Intuitive touch controls enable effortless temperature adjustments.
- ⑥ Full-extension drawer glides smoothly for easy access to stored items
- ⑦ LED lighting illuminates the interior, enhancing visibility and ease of use.
- ⑧ ActiveSmart™ Foodcare helps keep food fresher for longer

**SPECIFICATIONS**

**Model Number**

RB9064S1      Series 9, Integrated CoolDrawer™

**Weight**

Packaged      67Kg

Unpackaged    58Kg

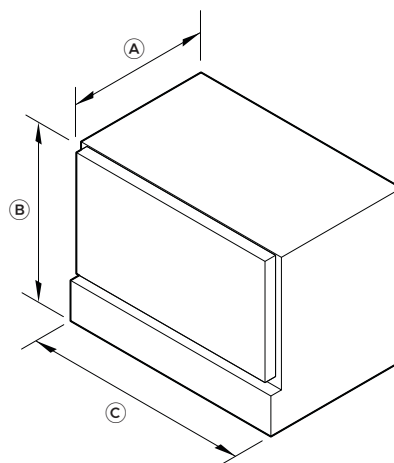
**Electrical**

Supply          230 V, 50 Hz

Service          10 A

Connection      3-pin earthing type

**PRODUCT DIMENSIONS**

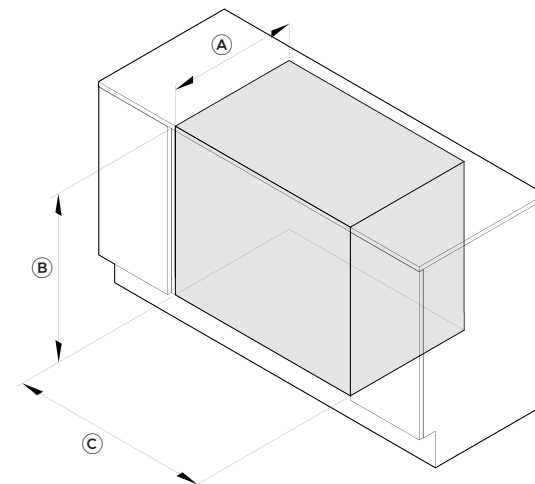


ISOMETRIC VIEW

**Product Dimensions**

	mm
(A) Overall depth	557
(B) Overall height	640
(C) Overall width	855

**CAVITY DIMENSIONS: STANDARD INSTALLATION**



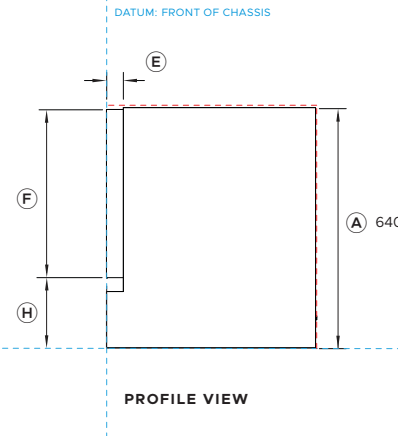
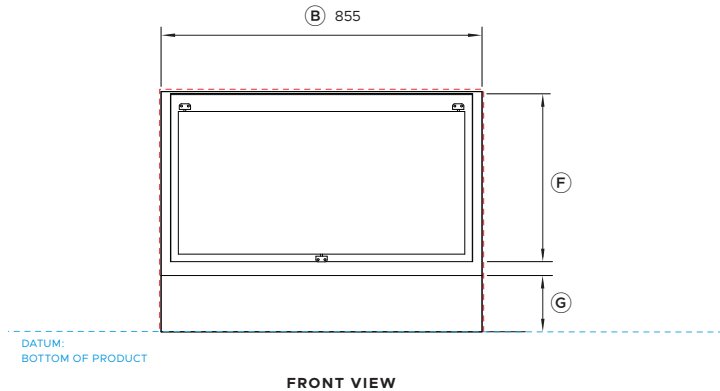
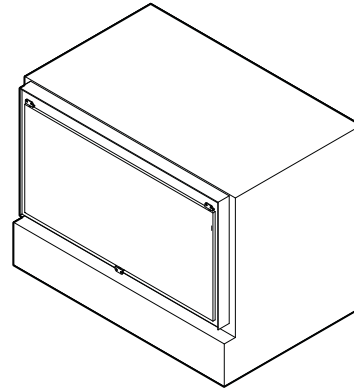
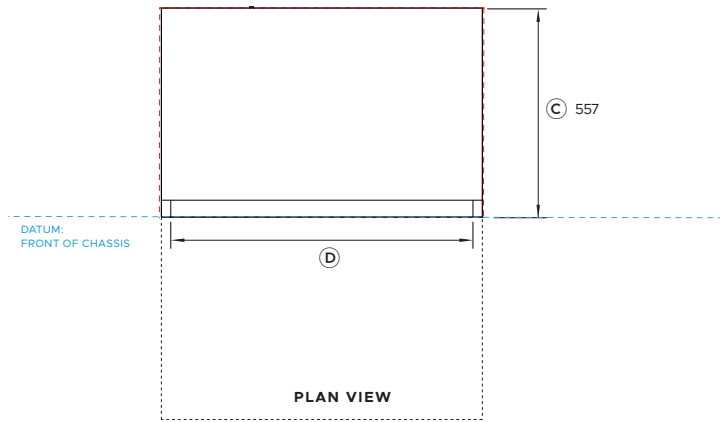
ISOMETRIC VIEW

**Cavity Dimensions**

	mm
(A) Minimum cavity depth	560
(B) Minimum cavity height	644
(C) Minimum cavity width	864

The models shown in this Planning Guide may not be available in all markets and are subject to change at any time. Product specifications may vary from those shown. This Planning Guide should not be used as installation guidance for any product. Further information is required to safely and correctly install the products featured here. Specific installation guidance will be available with the product on delivery and on our website [fisherpaykel.com](http://fisherpaykel.com)

## DATA SHEETS



**Model no:**

RB9064S1

Series 9, Integrated CoolDrawer™

NOTE: Refer to the Purchase Decision page for all door panel and handle options, and to the Door Panel Options page for detailed panel information.

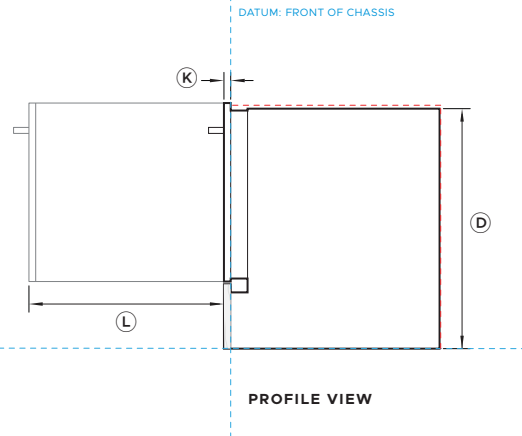
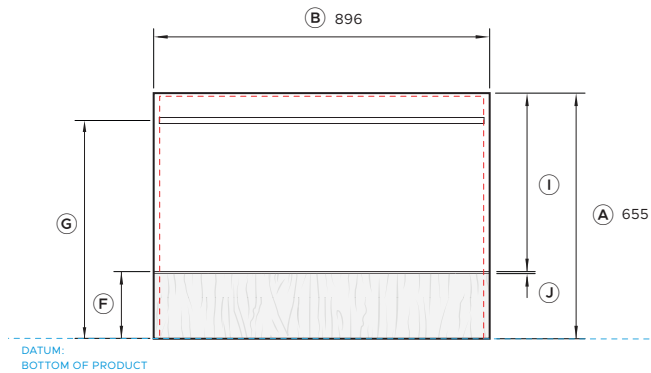
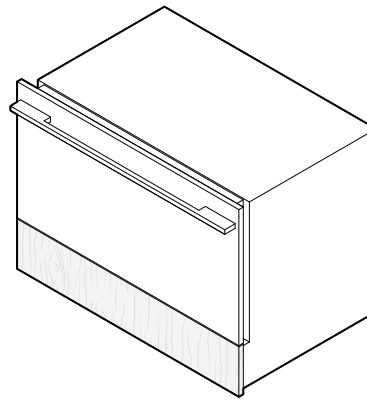
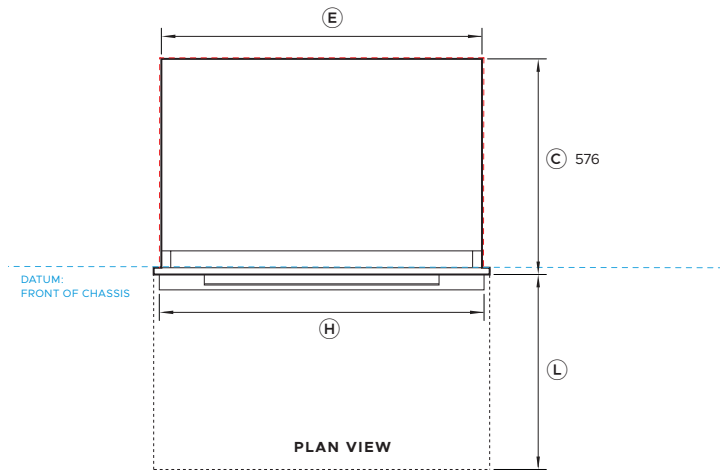
Product Dimensions	mm
(A) Overall height of product	640
(B) Overall width of product	855
(C) Overall depth of product (without handle and door panel)	557
(D) Width of inner door	805
(E) Thickness of inner door	45
(F) Height of inner door	448
(G) Height of lower chassis	150
(H) Height from base of product to base of door	187

Minimum Clearances	mm
Minimum inside height of cavity	644
Minimum inside width of cavity	864
Minimum overall depth of cavity	560
Minimum clearance to corner cupboard	13
Minimum clearance to adjacent cupboard door	2
Minimum clearance to underside of benchtop	2

NOTE: For venting consideration for the toe kick design, please refer to the venting page and installation guide. Custom door panels, toe kick and handles to be manufactured / fitted by cabinetmaker.

- INDICATES CABINETRY / PRODUCT DATUM
- INDICATES CABINETRY CLEARANCES
- INDICATES CUTOUT

IMPORTANT NOTE: Throughout this guide, dimensions may vary by ±2mm (1/16"). Please read the installation manual for detailed information on installing the product. For full installation instructions & specifications visit [fisherpaykel.com](http://fisherpaykel.com)



**Model no:**

**RB9064S1**

Series 9, Integrated CoolDrawer™

**Shown with:**

RD9064S

Stainless Steel Door Panel

AHD5-RD90S

Contemporary Square Fine Handle\*

\* Not supplied. Custom door panels to be manufactured / fitted by cabinetmaker. Handle dimensions identical between colour variants.

NOTE: Refer to the Purchase Decision page for all door panel and handle options, and to the Door Panel Options page for detailed panel information.

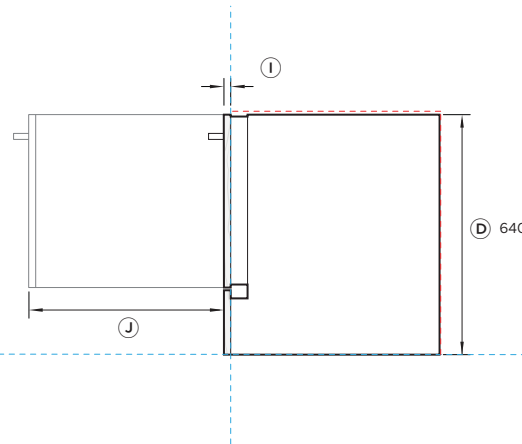
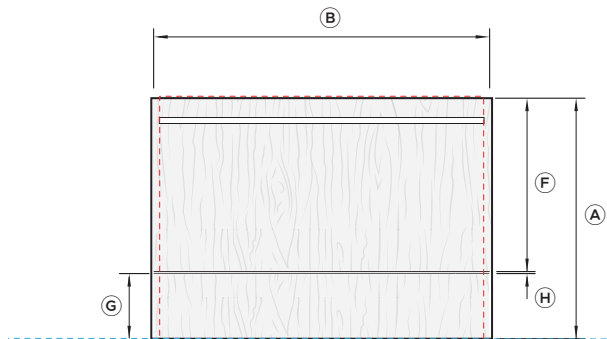
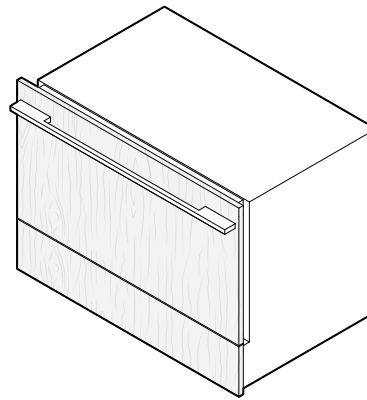
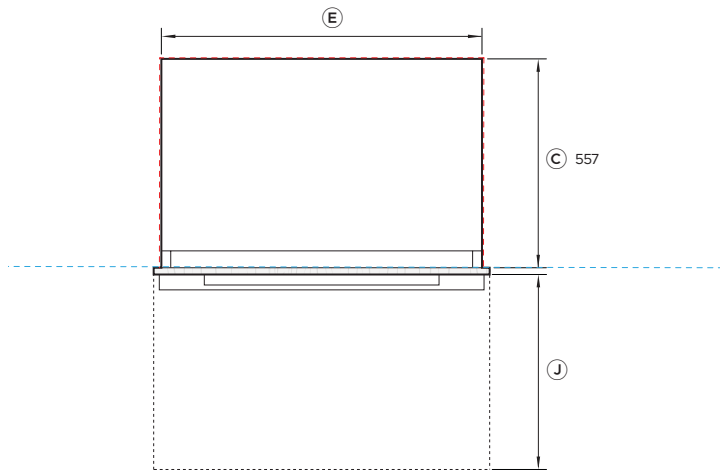
Product Dimensions	mm
(A) Overall height of product	655
(B) Overall width of product	896
(C) Overall depth of product (Excluding handle)	576
(D) Height of chassis	640
(E) Width of chassis	855
(F) Height from bottom datum to bottom of drawer panel	175
(G) Height from bottom datum to centre of handle	582
(H) Width of handle	866
(I) Height of stainless steel door panel	476
(J) Minimum clearance between panels	4
(K) Thickness of door panel	19
(L) Maximum extension of drawer	527

Minimum Clearances	mm
Minimum inside height of cavity	644
Minimum inside width of cavity	864
Minimum overall depth of cavity	560
Minimum clearance to corner cupboard	13
Minimum clearance to adjacent cupboard door	2
Minimum clearance to underside of benchtop	2

NOTE: For venting consideration for the toe kick design, please refer to the venting page and installation guide. Custom door panels, toe kick and handles to be manufactured / fitted by cabinetmaker.

- INDICATES CABINETRY / PRODUCT DATUM
- INDICATES CABINETRY CLEARANCES
- INDICATES CUTOUT

IMPORTANT NOTE: Throughout this guide, dimensions may vary by ±2mm (1/16"). Please read the installation manual for detailed information on installing the product. For full installation instructions & specifications visit [fisherpaykel.com](http://fisherpaykel.com)



**Model no:**

RB9064S1

Series 9, Integrated CoolDrawer™

**Shown with:**

AHD5-RD90S Custom Door Panel - Dual\*  
Contemporary Square Fine Handle\*\*

\* Not supplied. Custom door panels to be manufactured / fitted by cabinetmaker.  
\*\* Optional, not supplied. Custom handle can be used and adjusted to fit at any height within reason on a custom door panel.

NOTE: Refer to the Purchase Decision page for all door panel and handle options, and to the Door Panel Options page for detailed panel information.

**Product Dimensions**

	<b>mm</b>
(A) Overall height of product	min 640
(B) Overall width of custom door panel	min 860
(C) Depth of chassis	557
(D) Height of chassis	640
(E) Width of chassis	855
(F) Height of custom door panel*	min 456
(G) Height from bottom datum to top of false panel	150 - 180
(H) Minimum clearance between custom panels	4
(I) Thickness of door panel	16 - 20
(J) Maximum extension of drawer	527

**Minimum Clearances**

	<b>mm</b>
Minimum inside height of cavity	644
Minimum inside width of cavity	864
Minimum overall depth of cavity	560
Minimum clearance to corner cupboard	13
Minimum clearance to adjacent cupboard door	2
Minimum clearance to underside of benchtop	2

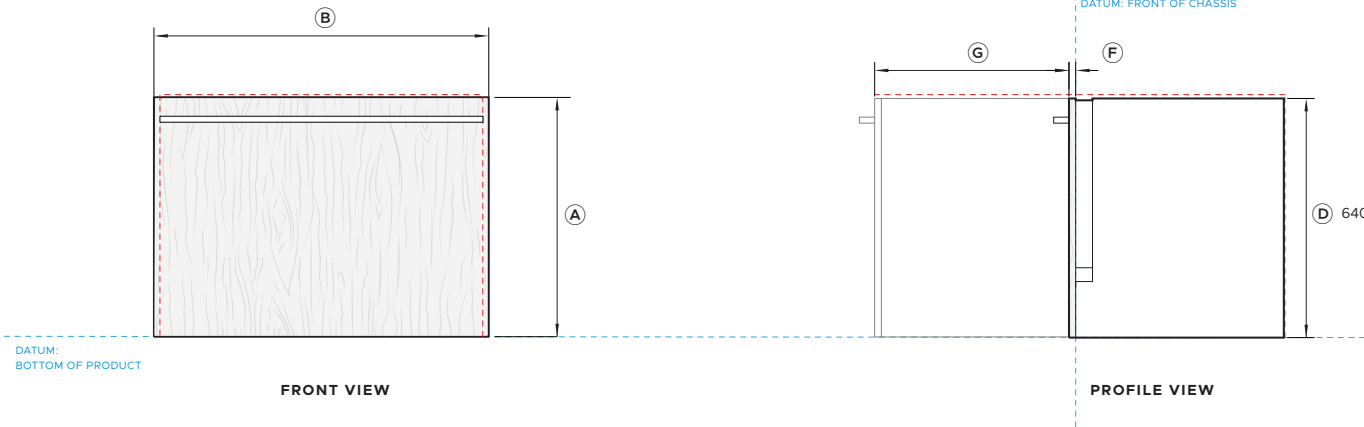
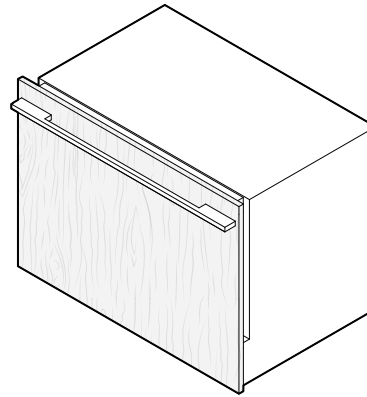
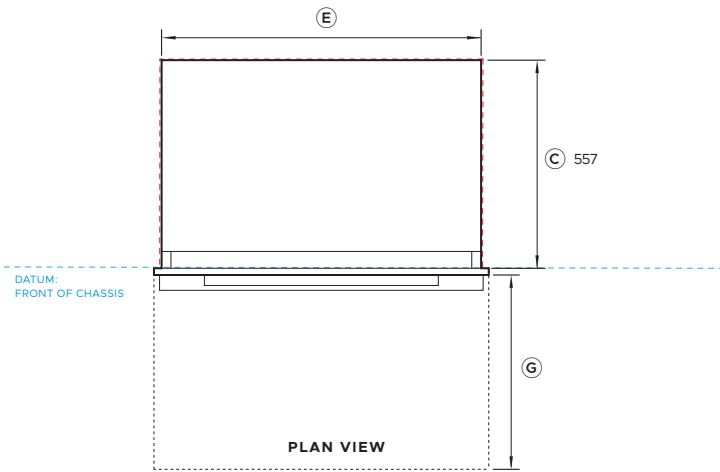
NOTE: For venting consideration for the toe kick design, please refer to the venting page and installation guide. Custom door panels, toe kick and handles to be manufactured / fitted by cabinetmaker.

----- INDICATES CABINETRY / PRODUCT DATUM

----- INDICATES CABINETRY CLEARANCES

----- INDICATES CUTOUT

IMPORTANT NOTE: Throughout this guide, dimensions may vary by ±2mm (1/16"). Please read the installation manual for detailed information on installing the product. For full installation instructions & specifications visit [fisherpaykel.com](http://fisherpaykel.com)



**Model no:**

**RB9064S1** Series 9, Integrated CoolDrawer™

**Shown with:**

AHD5-RD90S Custom Door Panel - Single\*  
Contemporary Square Fine Handle\*\*

\* Not supplied. Custom door panels to be manufactured / fitted by cabinetmaker.  
\*\* Optional, not supplied. Custom handle can be used and adjusted to fit at any height within reason on a custom door panel.

NOTE: Refer to the Purchase Decision page for all door panel and handle options, and to the Door Panel Options page for detailed panel information.

Product Dimensions	mm
(A) Overall height of custom door panel	min 640
(B) Overall width of custom door panel	min 860
(C) Overall depth of product (excluding handle and door panel)	557
(D) Height of chassis	640
(E) Width of chassis	855
(F) Thickness of custom door panel	16-20
(G) Maximum extension of drawer	527

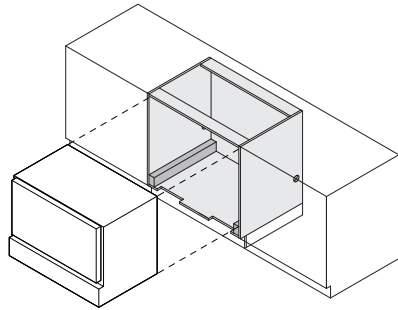
Minimum Clearances	mm
Minimum inside height of cavity	644
Minimum inside width of cavity	864
Minimum overall depth of cavity	560
Minimum clearance to corner cupboard	13
Minimum clearance to adjacent cupboard door	2
Minimum clearance to underside of benchtop	2

NOTE: For venting consideration for the toe kick design, please refer to the venting page and installation guide. Custom door panels, toe kick and handles to be manufactured / fitted by cabinetmaker.

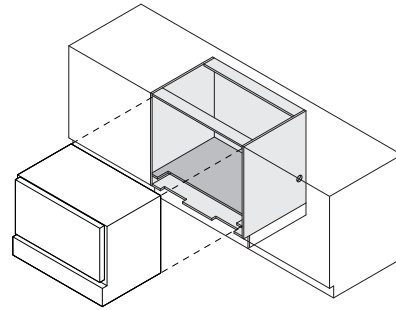
----- INDICATES CABINETRY / PRODUCT DATUM  
 - - - - - INDICATES CABINETRY CLEARANCES  
 - · - · - INDICATES CUTOUT

IMPORTANT NOTE: Throughout this guide, dimensions may vary by ±2mm (1/16"). Please read the installation manual for detailed information on installing the product. For full installation instructions & specifications visit [fisherpaykel.com](http://fisherpaykel.com)

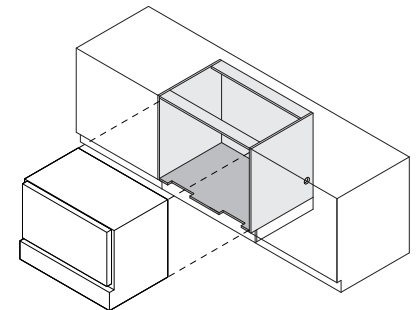
## VENTING SPECIFICATIONS



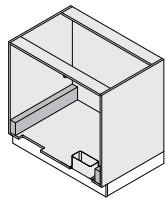
ISOMETRIC VIEW (PRODUCT AND CABINETY)



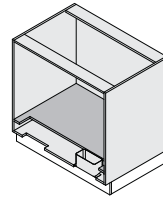
ISOMETRIC VIEW (PRODUCT AND CABINETY)



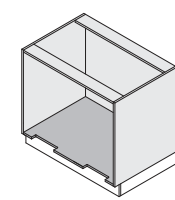
ISOMETRIC VIEW (PRODUCT AND CABINETY)



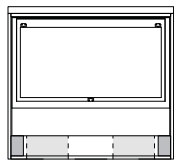
ISOMETRIC VIEW (CABINETY AND VENTING COMPONENTS)



ISOMETRIC VIEW (CABINETY AND VENTING COMPONENTS)

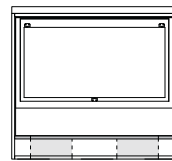


ISOMETRIC VIEW (CABINETY AND VENTING COMPONENTS)



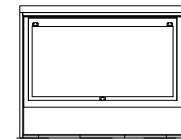
FRONT VIEW (PRODUCT AND CABINETY)

Min 50mm Toekick



FRONT VIEW (PRODUCT AND CABINETY)

Min 50mm Toekick



FRONT VIEW (PRODUCT AND CABINETY)

**COOLDRAWER™ ON SPACERS**

The CoolDrawer™ is elevated within the cabinetry, resting on a minimum of 20mm spacers on both sides to ensure adequate ventilation. For details on installation, please refer to the installation guide.

**COOLDRAWER™ ON FIXED SHELF**

The CoolDrawer™ is elevated within the cabinetry on a fixed internal shelf, which can be used as an alternative to spacers for positioning the drawer at the correct height. The shelf requires a critical rebate cut of at least 102mm in depth at the front to ensure proper clearance and ventilation. For details on installation please refer to installation guide.

**COOLDRAWER™ ON BASE SHELF**

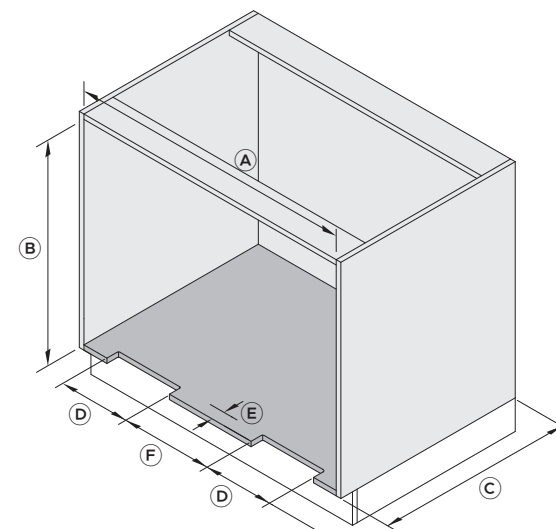
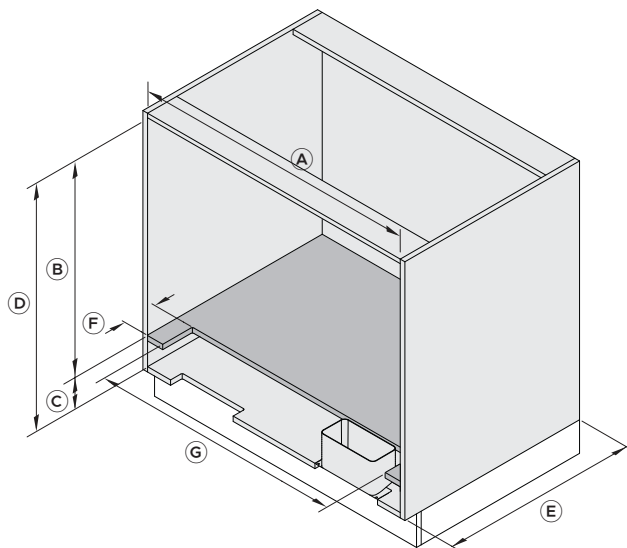
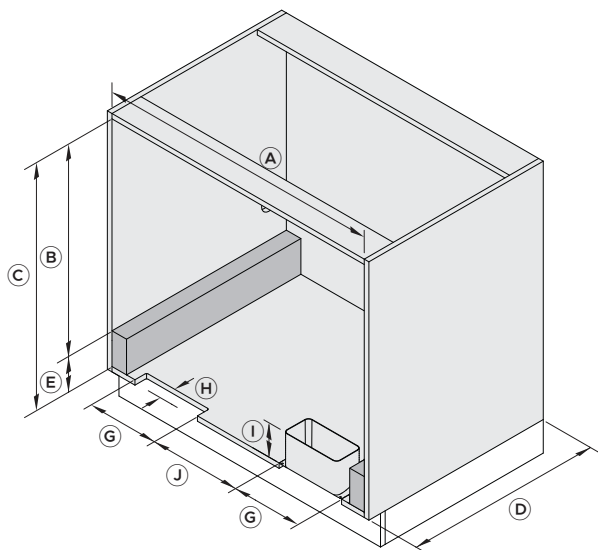
The CoolDrawer™ is placed directly on the bottom shelf without a spacer or internal shelf. This installation depends on the height of your cabinetry, which must be adjusted to accommodate the chassis and required cavity clearances. Bottom of the shelf/MDF shall be sealed to prevent moisture damage. For details on installation please refer to installation guide.

The models shown in this Planning Guide may not be available in all markets and are subject to change at any time. Product specifications may vary from those shown. This Planning Guide should not be used as installation guidance for any product. Further information is required to safely and correctly install the products featured here. Specific installation guidance will be available with the product on delivery and on our website [fisherpaykel.com](http://fisherpaykel.com)

COOLDRAWER™ ON SPACERS

COOLDRAWER™ ON FIXED SHELF

COOLDRAWER™ ON BASE SHELF



Dimensions	mm
A Width of cavity	min 864
B Height from top of spacer to inner face of cabinetry*	min 644
C Overall height of cavity	min 664
D Depth of cavity	min 560
E Height of spacer	20-120
F Width of spacer	50
G Width of vent duct cutout	215
H Depth of vent duct cutout	40
I Height of Vent duct	20-120
J Clearance between vent ducts cutouts	280

Dimensions	mm
A Width of cavity	min 864
B Height of cavity above internal shelf	min 644
C Height of internal shelf and cavity below	20-120
D Overall height of cavity	min 664
E Depth of cavity	min 560
F Depth of cutout at front end of internal shelf	min 102
G Width of internal shelf cutout	min 764

Dimensions	mm
A Width of cavity	min 864
B Height of cavity	min 644
C Depth of cavity	min 560
D Width of vent cutout	215
E Depth of vent duct cutout	40
F Clearance between vent ducts cutouts	280

The models shown in this Planning Guide may not be available in all markets and are subject to change at any time. Product specifications may vary from those shown. This Planning Guide should not be used as installation guidance for any product. Further information is required to safely and correctly install the products featured here. Specific installation guidance will be available with the product on delivery and on our website [fisherpaykel.com](http://fisherpaykel.com)

## DOOR PANEL OPTIONS

**STAINLESS STEEL DOOR PANEL DIMENSIONS**

**Model:**

Series 9 Integrated CoolDrawer™ - RB9064S1

**Drawer Panel Dimensions**

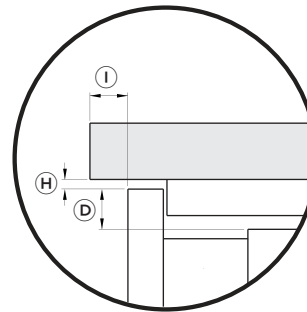
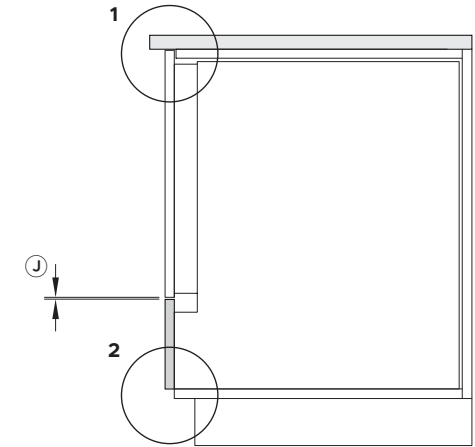
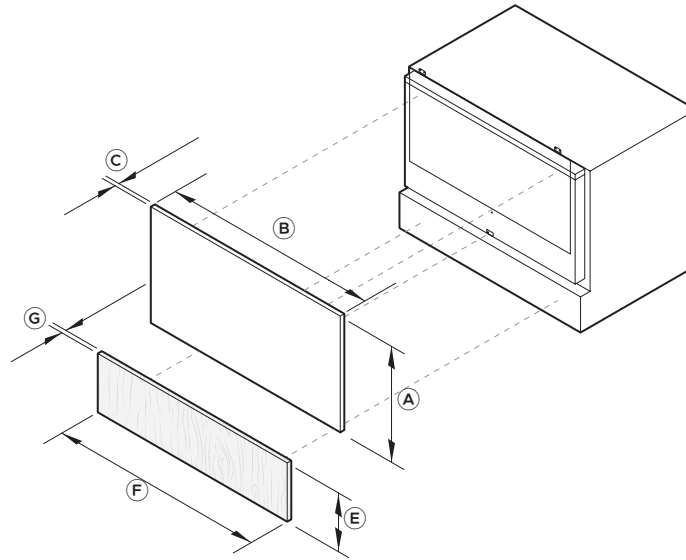
	mm
(A) Height of stainless steel door panel	476
(B) Width of stainless steel door panel	896
(C) Thickness of stainless steel door panel	19
(D) Top of chassis to top of steel door panel	15

**False Panel Dimensions**

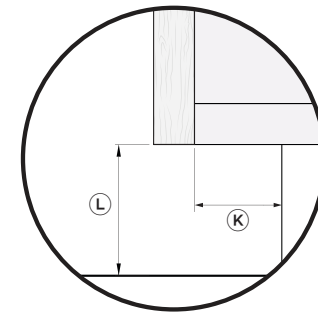
	mm
(E) Height of false panel	175
(F) Width of false panel	896
(G) Thickness of false panel	16 - 20

**Clearance Dimensions**

	mm
(H) Clearance between top of door panel and underside of benchtop	min 2
(I) Clearance between front end of benchtop to front surface of door panel	max 20
(J) Gap between drawer panel and false panel	4
(K) Depth from front of carcass to kick panel	min 40
(L) Minimum height from bottom of custom false panel to floor	min 50



DETAIL 1: UPPER CABINETRY CLEARANCE



DETAIL 2: LOWER CABINETRY CLEARANCE

The models shown in this Planning Guide may not be available in all markets and are subject to change at any time. Product specifications may vary from those shown. This Planning Guide should not be used as installation guidance for any product. Further information is required to safely and correctly install the products featured here. Specific installation guidance will be available with the product on delivery and on our website [fisherpaykel.com](http://fisherpaykel.com)

**CUSTOM DOOR PANEL - DUAL DIMENSIONS**

**Model:**

Series 9 Integrated CoolDrawer™ - RB9064S1

**Drawer Panel Dimensions**

	<b>mm</b>
(A) Height of custom door panel**	min 456 max 486
(B) Maximum extension from minimum door panel height*	30
(C) Width of custom door panel	min 860
(D) Thickness of custom door panel	16 - 20

**False Panel Dimensions**

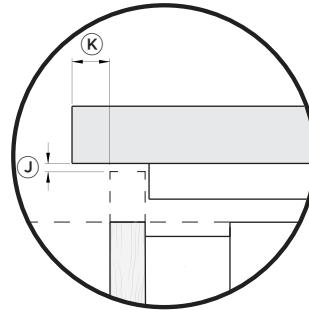
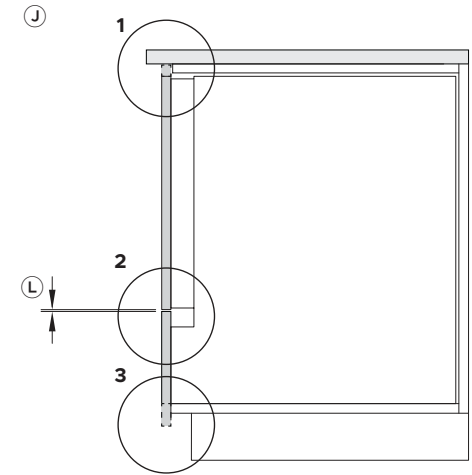
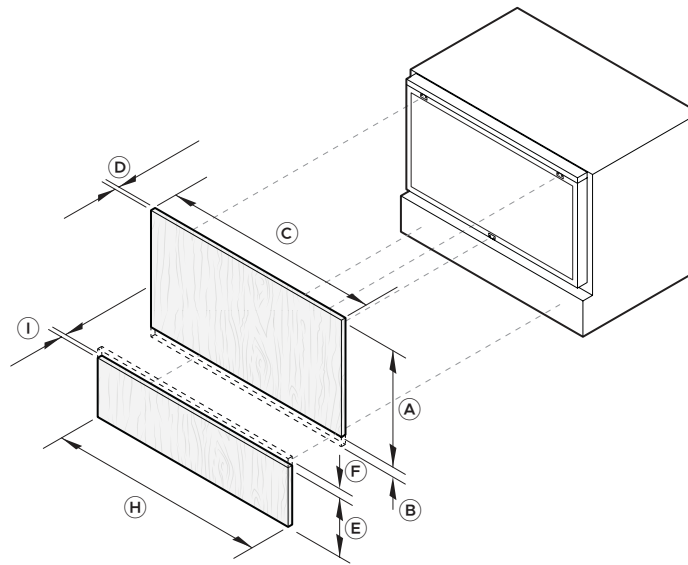
	<b>mm</b>
(E) Height of custom false panel*	150 - 180
(F) Maximum extension from minimum false panel height	30
(G) Minimum height from bottom of inner door to bottom of custom door panel	3
(H) Width of custom false panel	min 896
(I) Thickness of custom false panel	16 - 20

**Clearance Dimensions**

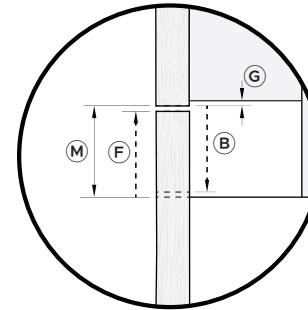
	<b>mm</b>
(J) Clearance between top of door panel and underside of benchtop	min 2
(K) Clearance between front end of benchtop to front surface of door panel	max 20
(L) Gap between door panel and false panel	4
(M) Height of variable split line	34
(N) Depth from front of carcass to kick panel	min 40
(O) Minimum height from bottom of custom false panel to floor	min 50

\*Panels can be customised to any given height in these ranges, ensuring they keep a minimum gap of 4mm between panels.

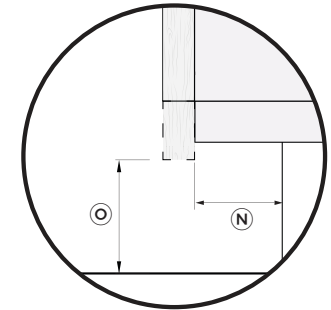
\*\* Where top of panel aligns with top of carcass, panel can be extended upwards in addition to stated values.



DETAIL 1: UPPER CABINERY CLEARANCE



DETAIL 2: VARIABLE SPLIT LINE



DETAIL 3: LOWER CABINERY CLEARANCE

The models shown in this Planning Guide may not be available in all markets and are subject to change at any time. Product specifications may vary from those shown. This Planning Guide should not be used as installation guidance for any product. Further information is required to safely and correctly install the products featured here. Specific installation guidance will be available with the product on delivery and on our website fisherpaykel.com

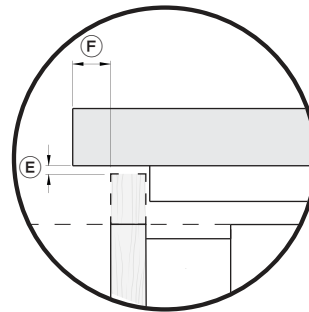
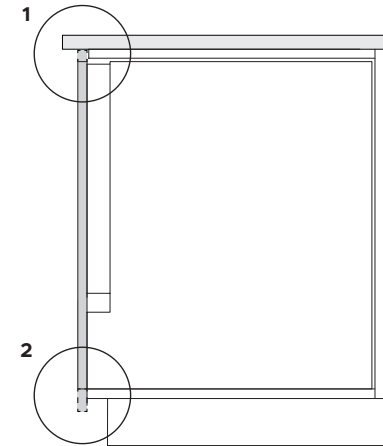
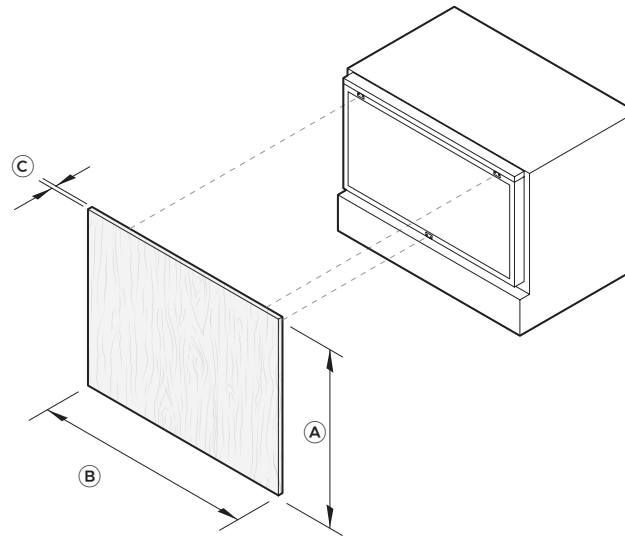
**CUSTOM DOOR PANEL - SINGLE DIMENSIONS**

**Model:**  
Series 9 Integrated CoolDrawer™ - RB9064S1

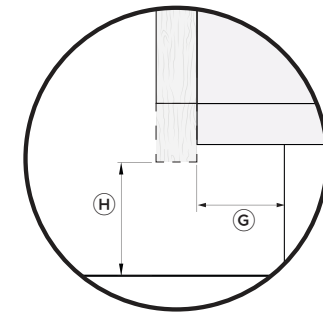
Drawer Panel Dimensions	mm
(A) Height of custom door panel*	min 640
(B) Width of custom door panel	min 860
(C) Thickness of custom door panel	16 - 20
(D) Top of chassis to top of custom door panel at minimum height	2

Clearance Dimensions	mm
(E) Clearance between top of door panel and underside of benchtop	min 2
(F) Clearance between front end of benchtop to front surface of door panel	max 20
(G) Depth from front of carcass to kick panel	min 40
(H) Minimum height from bottom of custom false panel to floor	min 50

\*Where the custom door panel aligns with top and bottom of chassis, panel can be extended up and down.



DETAIL 1: UPPER CABINERY CLEARANCE



DETAIL 2: LOWER CABINERY CLEARANCE

The models shown in this Planning Guide may not be available in all markets and are subject to change at any time. Product specifications may vary from those shown. This Planning Guide should not be used as installation guidance for any product. Further information is required to safely and correctly install the products featured here. Specific installation guidance will be available with the product on delivery and on our website [fisherpaykel.com](http://fisherpaykel.com)

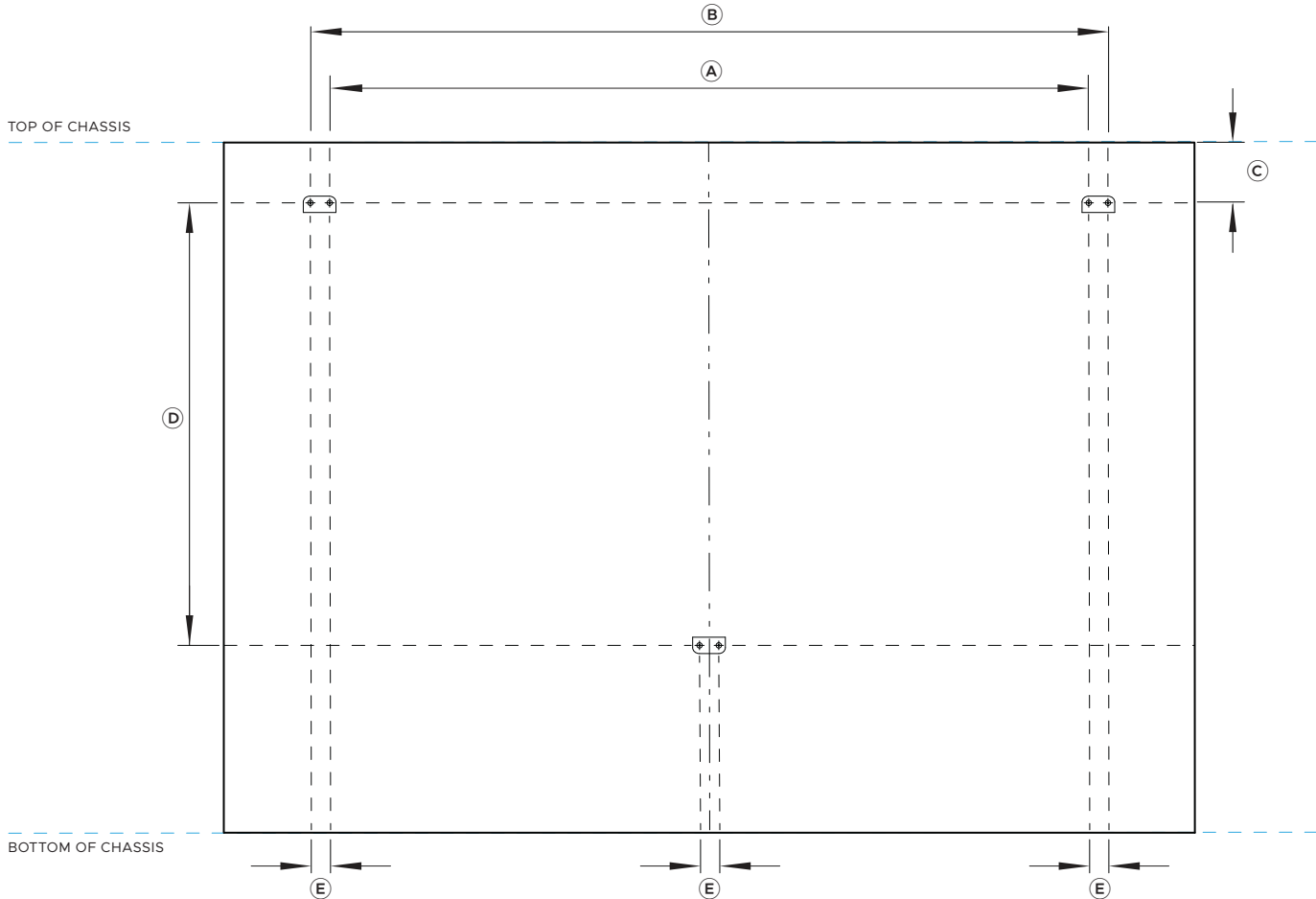
## CUSTOM DOOR PANEL PREPARATION

**Custom Panel Fixing Specifications** **mm**

Ⓐ	Distance between centre of upper internal fixings	710
Ⓑ	Distance between centre of upper external fixings	746
Ⓒ	Centre of upper panel fixings to top of chassis	38.5
Ⓓ	Vertical distance between upper and lower panel fixings	409
Ⓔ	Distance between centre of holes at fixing points	18

Note: Panel width and extensions, will vary according to your cabinet specifications.

Custom door panel and toe kicks should be manufactured and fitted by a cabinetmaker.



The models shown in this Planning Guide may not be available in all markets and are subject to change at any time. Product specifications may vary from those shown. This Planning Guide should not be used as installation guidance for any product. Further information is required to safely and correctly install the products featured here. Specific installation guidance will be available with the product on delivery and on our website [fisherpaykel.com](http://fisherpaykel.com)

## SERVICES



