

SERIES 7 & 5 BUILT-UNDER DISHWASHER

PLANNING GUIDE

BUILT-UNDER DISHWASHER MINIMAL | DW60UM4G4

BUILT-UNDER DISHWASHER CONTEMPORARY | DW60UD4X4 | DW60UD4B4

BUILT-UNDER DISHWASHER CONTEMPORARY | DW60UN4X4 | DWUN60UN4B4

BUILT-UNDER DISHWASHER CONTEMPORARY | DW60UN2X2 | DWUN60UN2B2

FISHER & PAYKEL

INTRODUCTION

This comprehensive planning guide provides you with the framework and tools to achieve your desired design outcome with Fisher & Paykel appliances. In this guide, you will find a range of conceptual, detailed, and dimensional product information to bring your ideas to life and create spaces that truly reflect your vision.

SUPPORT

For additional design planning and installation support please contact the Fisher & Paykel design support team. designsupport@fisherpaykel.com

NOTES

The models shown in this Planning Guide may not be available in all markets and are subject to change at any time. Refer to our website fisherpaykel.com for the latest document version. Product specifications may vary from those shown. This Planning Guide should not be used as installation guidance for any product. Specific installation guidance will be available with the product on delivery and on our website.

CONTENTS

CONCEPT DESIGN	PAGE	DEVELOPED AND DETAILED DESIGN	PAGE	DEVELOPED AND DETAILED DESIGN	PAGE
Design choice	3	Data Sheets	15	Services	20
Dishwashing Styles	4	DW60UM4G4	16	All Models	21
Model Overview	5	DW60UM4G4	17		
		DW60UN4X4, DW60UB4B	18		
Specification guide	6	DW60UN2X2, DW60UN2B2	19		
DW60UM4G4	7				
DW60UD4X4, DW60UD4B4	9				
DW60UN4X4, DWUN4B4	11				
DW60UN2X2, DW60UN2B2	13				

The models shown in this Planning Guide may not be available in all markets and are subject to change at any time. Product specifications may vary from those shown. This Planning Guide should not be used as installation guidance for any product. Further information is required to safely and correctly install the products featured here. Specific installation guidance will be available on our website fisherpaykel.com

DESIGN CHOICE

INTEGRATED



PANEL READY CUSTOM HANDLE



With minimal installation gaps for a precise, flush fit, Integrated style Dishwashers blend effortlessly into surrounding cabinetry. Choose to fully conceal with custom panels or contrast with stainless steel finishes for a cohesive, considered kitchen design.

* Handle and Door Panel accessories for integrated dishwashers are available on the website

MINIMAL



MINIMAL PROUD HANDLE



Minimal style Dishwashers are designed to recede within a kitchen space. For built-under or integrated installation, they feature a refined handle profile and top of door controls that preserve uninterrupted cabinetry lines. Quiet performance and flexible loading support everyday dishwashing without visual distraction.

CONTEMPORARY



CONTEMPORARY PROUD HANDLE



Defined by clean lines and timeless design cues, Contemporary style Dishwashers bring a sense of balance and refinement to the kitchen. The proud handle provides a confident visual statement, with a tactile element that complements the overall design aesthetic.



CONTEMPORARY RECESSED HANDLE



Defined by clean lines and timeless design cues, Contemporary style Dishwashers bring a sense of balance and refinement to the kitchen. The recessed handle creates a seamless, uninterrupted flow, a functional design detail that supports the clean aesthetic of recessed-handle kitchens and complements a range of interior styles.

	HEIGHT	INTEGRATED	BUILT-UNDER	Models covered in this Planning Guide				
STANDARD HEIGHT		1 DW60U4E13* Series 9 Integrated			8 DW60UD4X4 Series 7 Contemporary	!0 DW60UN4X4 Series 7 Contemporary	!2 DW60UN2X2 Series 5 Contemporary	
		1 DW60U4I2* Series 7 Integrated		7 DW60UM4G4 Series 7 Minimal				
		1 DW60U2I2* Series 5 Integrated			9 DW60UD4B4 Series 7 Contemporary	!1 DW60UN4B4 Series 7 Contemporary	!3 DW60UN2B2 Series 5 Contemporary	
TALL HEIGHT			4 DW60UZT4B2 Series 9 Contemporary					
		2 DW60UT4I2* Series 9 Integrated	3 DW60UDT4X4 Series 9 Contemporary	5 DW60UNT4B2 Series 9 Contemporary	Not available	Not available	Not available	Not available
				6 DW60UNT4X2 Series 9 Contemporary				

*Details for Handle and Door Panel accessories for integrated dishwashers are available on the website

The models shown in this Planning Guide may not be available in all markets and are subject to change at any time. Product specifications may vary from those shown. This Planning Guide should not be used as installation guidance for any product. Further information is required to safely and correctly install the products featured here. Specific installation guidance will be available with the product on delivery and on our website fisherpaykel.com

SPECIFICATION GUIDE



OVERVIEW

Designed to complement minimalist kitchen spaces, this Series 7 dishwasher pairs a grey glass finish with a minimal handle. Pitch adjustable tines and fold down racking support flexible loading for dishwashing. A top of door control panel with soft black UI maintains clean lines beneath the benchtop.

PRODUCTS

Built-under Dishwasher, 60cm, Grey Glass
DW60UM4G4

Not available in all markets

SERIES & STYLE

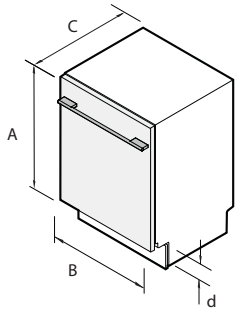
Series 7
Minimal

FEATURES

- 1 Built-under configuration for under benchtop installation
 - 2 Grey glass door panel with minimal handle styling
 - 3 Top-of-door controls with a soft black UI and internal lighting that illuminates the interior
 - 4 Pitch adjustable tines adjust from 20mm to 40mm
 - 5 Cutlery tray and foldable tine section for platters and oven trays
 - 6 Auto cycle through sensing supports appropriate wash selection
 - 7 Auto Door Open Dry releases excess steam, while Air Curtain directs it away from surrounding cabinetry
 - 8 24 hour delay start for schedule flexibility
 - 9 Quiet performance designed for everyday use in open plan kitchens
- !0 4.5 star energy and 5.5 star water rating
- !1 Wi-Fi enabled and works with the SmarthQ™ app for remote control and notifications

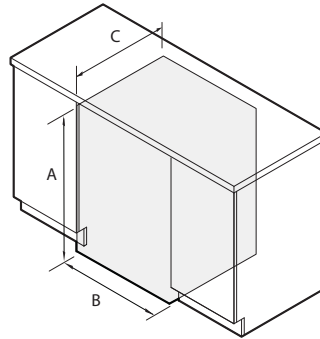
The models shown in this Planning Guide may not be available in all markets and are subject to change at any time. Product specifications may vary from those shown. This Planning Guide should not be used as installation guidance for any product. Further information is required to safely and correctly install the products featured here. Specific installation guidance will be available on our website fisherpaykel.com

PRODUCT DIMENSIONS



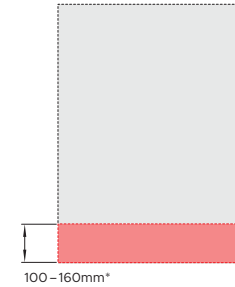
ISO VIEW

CAVITY DIMENSIONS: STANDARD INSTALLATION

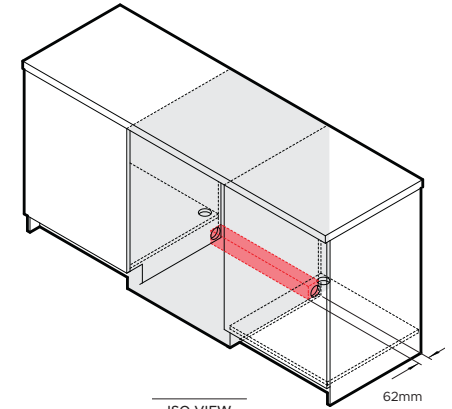


ISO VIEW

PLUMBING AND ELECTRICAL



REAR VIEW



ISO VIEW

	mm
a Overall height*	820 - 880
b Overall width	598
c Overall depth	580
d Height from bottom of door to floor*	101 - 161

* Depending on adjustment of levelling feet

Black toe kick supplied; custom toe kick optional

	mm
a Overall height*	820 - 880
b Overall width	min 600
c Overall depth	min 580

*Depending on adjustment of levelling feet

PRODUCT SPECIFICATIONS

Model No.	DW60UM4G4
Dimensions	H 820 - 880mm* W 598mm D 580mm
Weight	54 kg
Packaged Weight	62 kg
Packaged dimensions	H 890mm x W 700mm x D 660mm
Electrical	
Dedicated Service (A)	10
Rated Power (W)	2400
Supply (Hz)	50
Voltage (V)	220-240
Connection	Hard wired
Plumbing	
Supply	3/4" (20mm) BSP connector water inlet hose with
Pressure	Min 0.03 Mpa (4.35psi), Max 1 Mpa (145psi)

Service outlet at rear extends both sides, hoses and cords can be routed to either or both sides.

*Depending on adjustment of levelling feet.

The models shown in this Planning Guide may not be available in all markets and are subject to change at any time. Product specifications may vary from those shown. This Planning Guide should not be used as installation guidance for any product. Further information is required to safely and correctly install the products featured here. Specific installation guidance will be available on our website fisherpaykel.com



DW60UD4X4



DW60UD4B4

OVERVIEW

Designed for contemporary kitchen layouts, this Series 7 dishwasher integrates beneath the benchtop with a proud handle design. Pitch-adjustable tines and fold-down racking support flexible loading across mixed loads. A top-of-door control panel with a soft black UI keeps the front visually clean.

PRODUCTS

Built-under Dishwasher, 60cm, Stainless Steel
DW60UD4X4

Built-under Dishwasher, 60cm, Black Stainless Steel
DW60UD4B4

Not all models are available in all markets

SERIES & STYLE

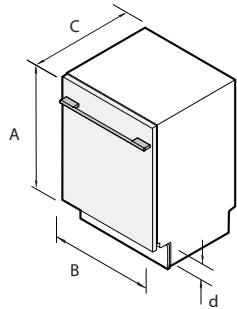
Series 7
Contemporary

FEATURES

- 1 Built-under configuration for under benchtop installation
 - 2 Contemporary proud handle styling
 - 3 Top-of-door controls with a soft black UI and internal lighting that illuminates the interior
 - 4 Pitch adjustable tines adjust from 20mm to 40mm
 - 5 Cutlery tray and foldable tine section for platters and oven trays
 - 6 Auto cycle through sensing supports appropriate wash selection
 - 7 Auto Door Open Dry releases excess steam, while Air Curtain directs it away from surrounding cabinetry
 - 8 24 hour delay start for schedule flexibility
 - 9 Quiet performance designed for everyday use in open plan kitchens
- !0 4.5 star energy and 5.5 star water rating
- !1 Wi-Fi enabled and works with the SmarthQ™ app for remote control and notifications

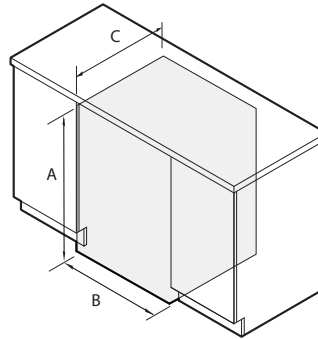
The models shown in this Planning Guide may not be available in all markets and are subject to change at any time. Product specifications may vary from those shown. This Planning Guide should not be used as installation guidance for any product. Further information is required to safely and correctly install the products featured here. Specific installation guidance will be available on our website fisherpaykel.com

PRODUCT DIMENSIONS



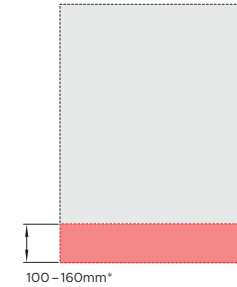
ISO VIEW

CAVITY DIMENSIONS: STANDARD INSTALLATION

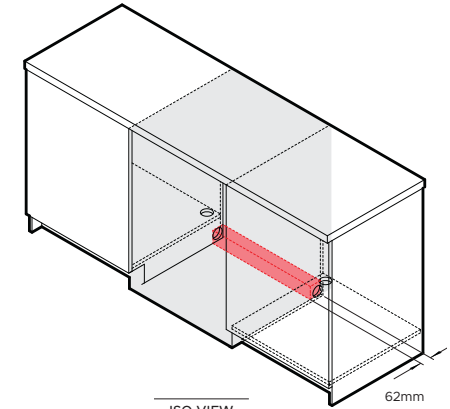


ISO VIEW

PLUMBING AND ELECTRICAL



REAR VIEW



ISO VIEW

	mm
a Overall height*	820 - 880
b Overall width	598
c Overall depth	580
d Height from bottom of door to floor*	101 - 161

* Depending on adjustment of levelling feet
Black toe kick supplied; custom toe kick optional

	mm
a Overall height*	820 - 880
b Overall width	min 600
c Overall depth	min 580

*Depending on adjustment of levelling feet

PRODUCT SPECIFICATIONS

Model No.	DW60UD4X4, DW60UD4B4
Dimensions	H 820 - 880mm* W 598mm D 580mm
Weight	54 kg
Packaged Weight	62 kg
Packaged dimensions	H 890mm x W 700mm x D 660mm
Electrical	
Dedicated Service (A)	10
Rated Power (W)	2400
Supply (Hz)	50
Voltage (V)	220-240
Connection	Hard wired
Plumbing	
Supply	3/4" (20mm) BSP connector water inlet hose with
Pressure	Min 0.03 Mpa (4.35psi), Max 1 Mpa (145psi)

Service outlet at rear extends both sides, hoses and cords can be routed to either or both sides.

*Depending on adjustment of levelling feet.

The models shown in this Planning Guide may not be available in all markets and are subject to change at any time. Product specifications may vary from those shown. This Planning Guide should not be used as installation guidance for any product. Further information is required to safely and correctly install the products featured here. Specific installation guidance will be available on our website fisherpaykel.com



DW60UN4X4



DW60UN4B4

OVERVIEW

Designed to integrate beneath benchtops, this Series 7 dishwasher features recessed handle styling. Top of door controls with soft black UI keep lines clean. Pitch adjustable tines support loading. Auto sensing wash adjusts to each load, while quiet performance suits open plan kitchens.

PRODUCTS

Built-under Dishwasher, 60cm, Stainless Steel
DW60UN4X4

Built-under Dishwasher, 60cm, Black Stainless Steel
DW60UN4B4

Not all models are available in all markets

SERIES & STYLE

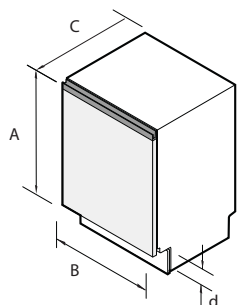
Series 7
Contemporary

FEATURES

- 1 Built-under configuration for under benchtop installation
 - 2 Recessed handle styling supports a clean, streamlined look
 - 3 Top-of-door controls with a soft black UI and internal lighting that illuminates the interior
 - 4 Pitch adjustable tines adjust from 20mm to 40mm
 - 5 Cutlery tray and foldable tine section for platters and oven trays
 - 6 Auto cycle through sensing supports appropriate wash selection
 - 7 Auto Door Open Dry releases excess steam, while Air Curtain directs it away from surrounding cabinetry
 - 8 24 hour delay start for schedule flexibility
 - 9 Quiet performance designed for everyday use in open plan kitchens
- !0 4.5 star energy and 5.5 star water rating
- !1 Wi-Fi enabled and works with the SmarthQ™ app for remote control and notifications

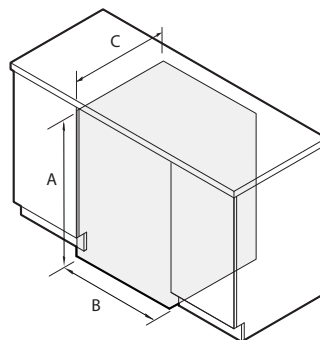
The models shown in this Planning Guide may not be available in all markets and are subject to change at any time. Product specifications may vary from those shown. This Planning Guide should not be used as installation guidance for any product. Further information is required to safely and correctly install the products featured here. Specific installation guidance will be available on our website fisherpaykel.com

PRODUCT DIMENSIONS



ISO VIEW

CAVITY DIMENSIONS: STANDARD INSTALLATION



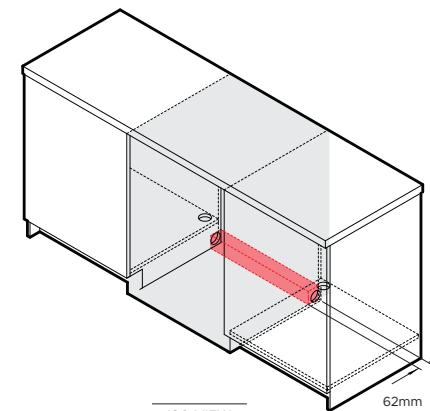
ISO VIEW

PLUMBING AND ELECTRICAL



100-160mm*

REAR VIEW



ISO VIEW

	mm
a Overall height*	820 - 880
b Overall width	598
c Overall depth	580
d Height from bottom of door to floor*	101 - 161

* Depending on adjustment of levelling feet

Black toe kick supplied; custom toe kick optional

	mm
a Overall height*	820 - 880
b Overall width	min 600
c Overall depth	min 580

*Depending on adjustment of levelling feet

PRODUCT SPECIFICATIONS

Model No.	DW60UN4X4, DW60UN4B4
Dimensions	H 820 - 880mm* W 598mm D 580mm
Weight	54 kg
Packaged Weight	62 kg
Packaged dimensions	H 890mm x W 700mm x D 660mm
Electrical	
Dedicated Service (A)	10
Rated Power (W)	2400
Supply (Hz)	50
Voltage (V)	220-240
Connection	Hard wired
Plumbing	
Supply	3/4" (20mm) BSP connector water inlet hose with
Pressure	Min 0.03 Mpa (4.35psi), Max 1 Mpa (145psi)

Service outlet at rear extends both sides, hoses and cords can be routed to either or both sides.

*Depending on adjustment of levelling feet.

The models shown in this Planning Guide may not be available in all markets and are subject to change at any time. Product specifications may vary from those shown. This Planning Guide should not be used as installation guidance for any product. Further information is required to safely and correctly install the products featured here. Specific installation guidance will be available on our website fisherpaykel.com



DW60UN2B2



DW60UN2X2

OVERVIEW

Designed to fit flush under the kitchen benchtop with a custom kickstrip. Available in a number of finishes, with a recessed handle to match Fisher & Paykel's Contemporary family of appliances.

PRODUCTS

Built-under Dishwasher, 60cm, Tall, Stainless Steel
DW60UN2X2

Built-under Dishwasher, 60cm, Tall, Black Stainless Steel
DW60UN2B2

Not all models are available in all markets

SERIES & STYLE

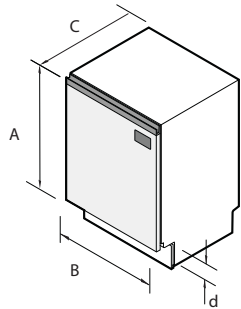
Series 5
Contemporary Built-under Dishwasher

FEATURES

- 1 Can be installed under bench heights between 820–880mm, fitting flush with cabinetry for a seamless look
- 2 Recessed handle styling supports a clean, streamlined look
- 3 Front-of-door controls with status display and interior LED lighting
- 4 15 place setting capacity and easily accommodates plate sizes up to 320mm
- 5 Seven wash programs including Auto, Eco and 60 Min cycles Dry+, Sanitise and Half Load wash modifiers for added flexibility
- 6 ThermoDry technology with auto door opening at the end of the cycle to remove excess moisture
- 7 Flexible racking including height-adjustable upper basket, foldable cup racks and cutlery basket
- 8 Wi-Fi capability and SmartHQ™ app connectivity for remote control and notifications
- 9 With 4 star energy and 5 star water rating
- 10 Quiet wash performance, running at a low decibel rating of 46dBA

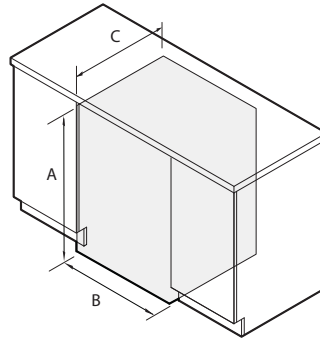
The models shown in this Planning Guide may not be available in all markets and are subject to change at any time. Product specifications may vary from those shown. This Planning Guide should not be used as installation guidance for any product. Further information is required to safely and correctly install the products featured here. Specific installation guidance will be available on our website fisherpaykel.com

PRODUCT DIMENSIONS



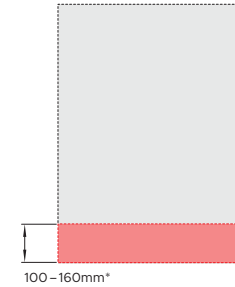
ISO VIEW

CAVITY DIMENSIONS: STANDARD INSTALLATION



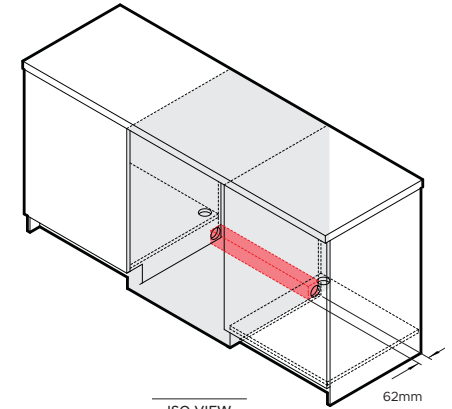
ISO VIEW

PLUMBING AND ELECTRICAL



100-160mm*

REAR VIEW



ISO VIEW

	mm
a Overall height*	820 - 880
b Overall width	598
c Overall depth	580
d Height from bottom of door to floor*	101 - 161

* Depending on adjustment of levelling feet
Black toe kick supplied; custom toe kick optional

	mm
a Overall height*	820 - 880
b Overall width	min 600
c Overall depth	min 580

*Depending on adjustment of levelling feet

PRODUCT SPECIFICATIONS

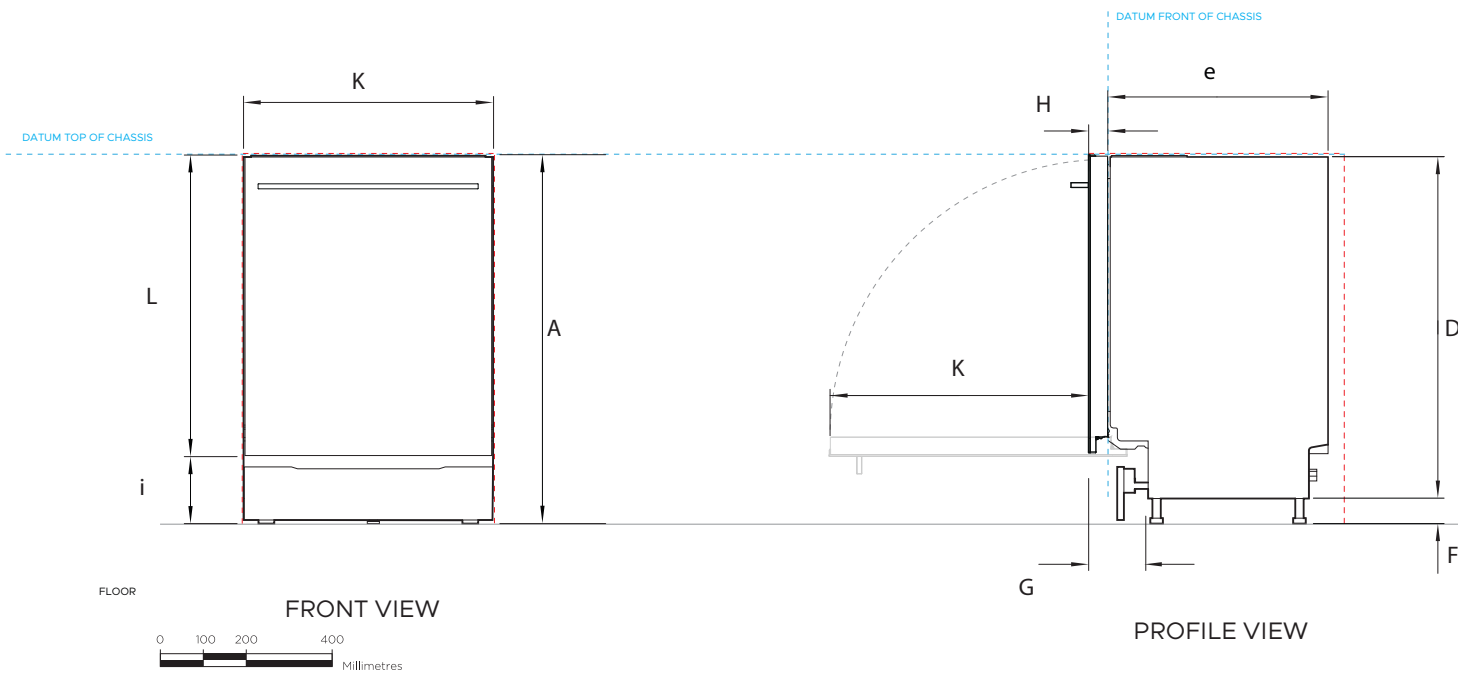
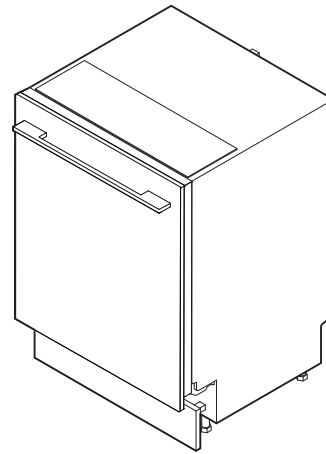
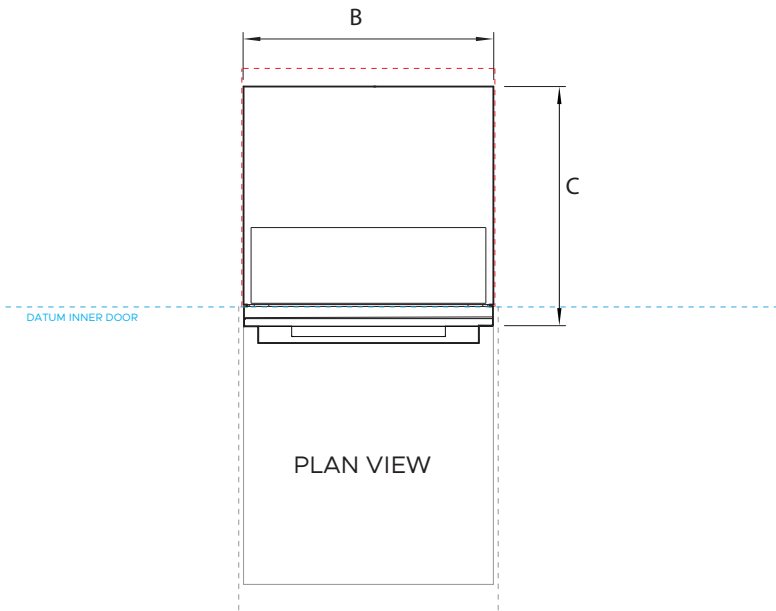
Model No.	DW60UN2X2, DW60UN2B2
Dimensions	H 820 - 880mm* W 598mm D 580mm
Weight	54 kg
Packaged Weight	62 kg
Packaged dimensions	H 890mm x W 700mm x D 660mm
Electrical	
Dedicated Service (A)	10
Rated Power (W)	2400
Supply (Hz)	50
Voltage (V)	220-240
Connection	Hard wired
Plumbing	
Supply	3/4" (20mm) BSP connector water inlet hose with
Pressure	Min 0.03 Mpa (4.35psi), Max 1 Mpa (145psi)

Service outlet at rear extends both sides, hoses and cords can be routed to either or both sides.

*Depending on adjustment of levelling feet.

The models shown in this Planning Guide may not be available in all markets and are subject to change at any time. Product specifications may vary from those shown. This Planning Guide should not be used as installation guidance for any product. Further information is required to safely and correctly install the products featured here. Specific installation guidance will be available on our website fisherpaykel.com

DATA SHEETS



Model nos:
DW60UM4G4

Product Dimensions	mm
a Overall height of product*	820 - 880
B Overall width of product**	598
c Overall depth of product (excl handle)	580
D Height of chassis	820
e Depth of chassis (excl. inner door)	532
f Height of feet*	0 - 60
g Depth of toe kick recess	142
h Depth of door panel	48
i Height from bottom of door to floor*	103
j Depth of open door	620
k Width of door panel	595
l Height of door panel	717

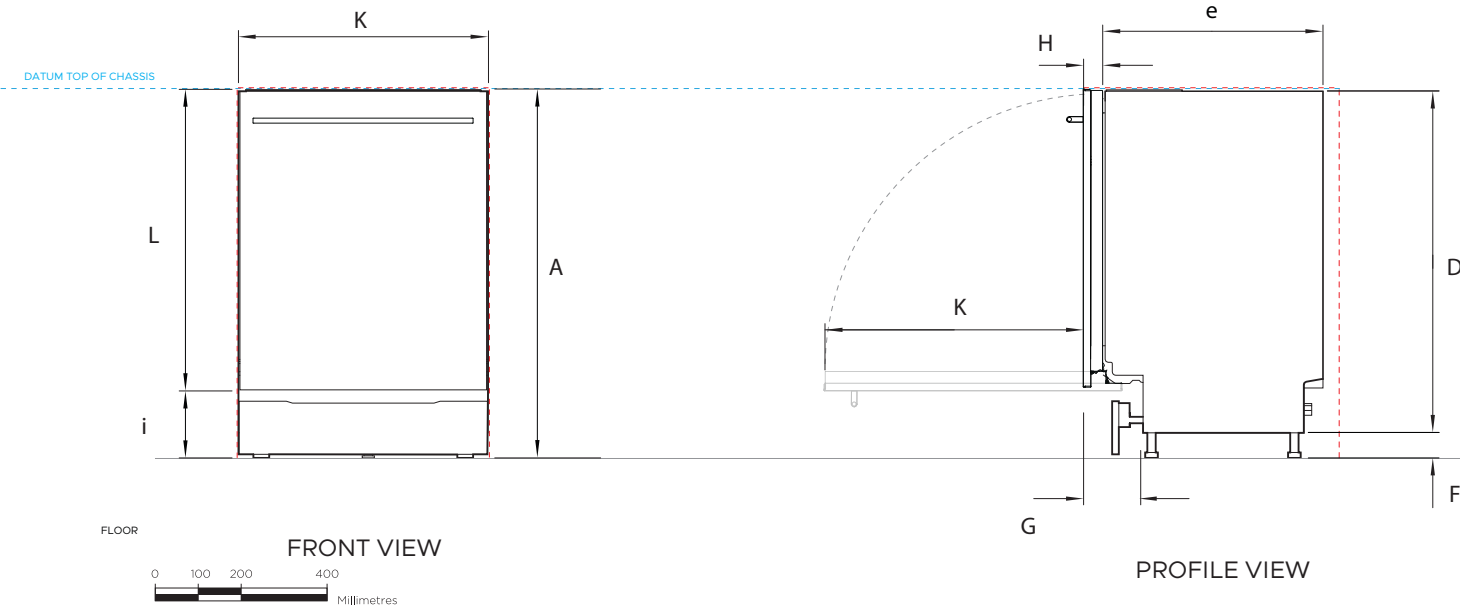
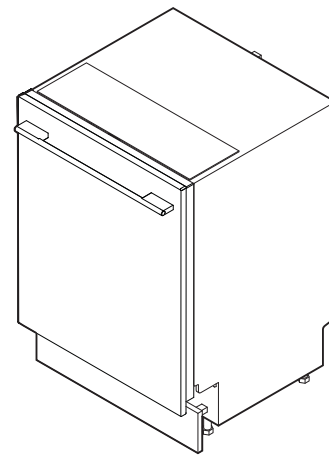
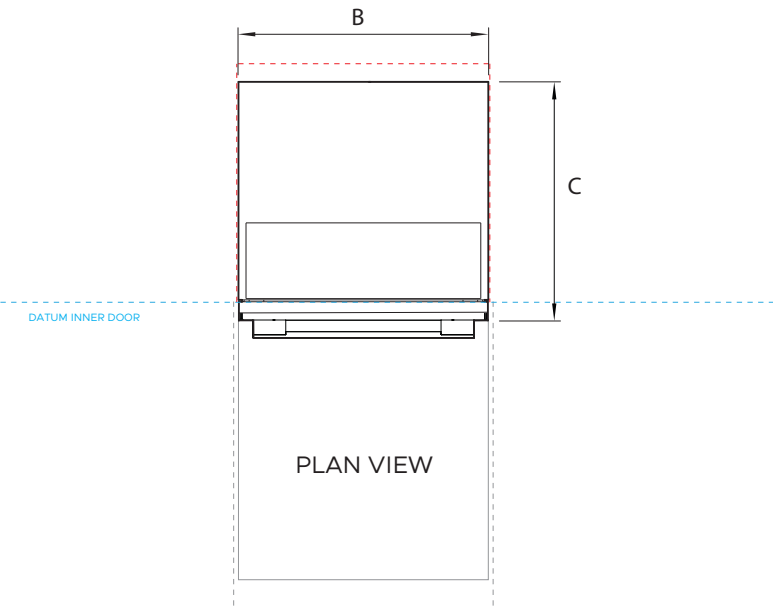
*Depending on adjustment of levelling feet
**Excluding side seals

Minimum Clearances	mm
Inside height of cavity*	820 - 880
Inside width of cavity	min 600
Overall depth of cavity	min 580
Clearance to corner cupboard	13
Height of toe kick area*	101 -161
Clearance to adjacent cupboard door	2

*Depending on adjustment of levelling feet

PRODUCT DATUM -----
INDICATES CABINETRY CLEARANCES -----

IMPORTANT NOTE: Throughout this guide, dimensions may vary by ±2mm (1/16"). Please read the Installation Guide for detailed information on installing the product. For full installation instructions visit fisherpaykel.com



Model nos:
DW60UD4X4
DW60UD4B4

Product Dimensions	mm
a Overall height of product*	820 - 880
B Overall width of product**	598
c Overall depth of product (excl handle)	580
D Height of chassis	820
e Depth of chassis (excl. inner door)	521
f Height of feet*	0 - 60
g Depth of toe kick recess	142
h Depth of door panel	46
i Height from bottom of door to floor*	103
j Depth of open door	620
k Width of door panel	595
l Height of door panel	717

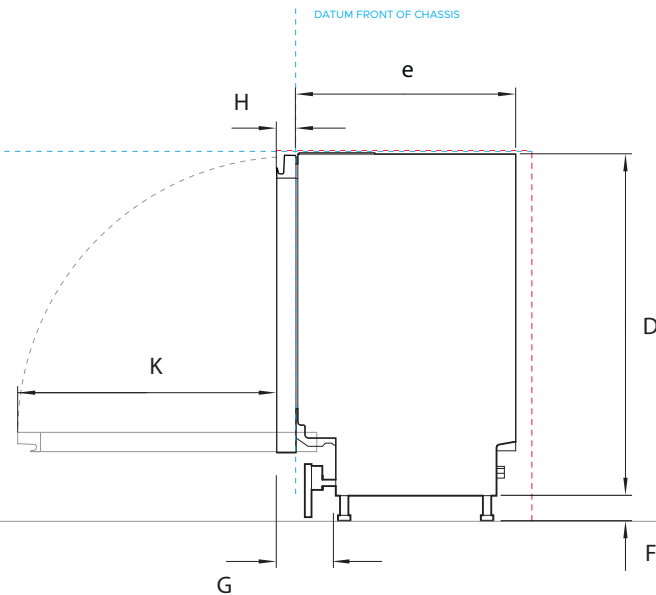
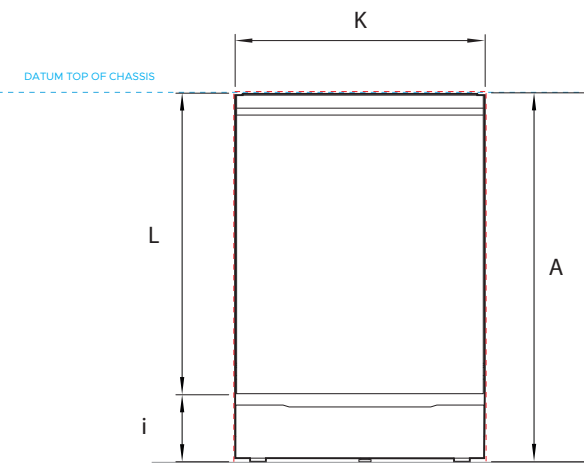
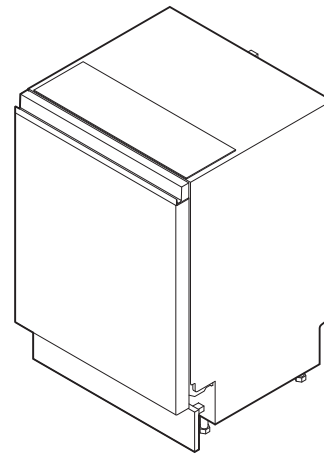
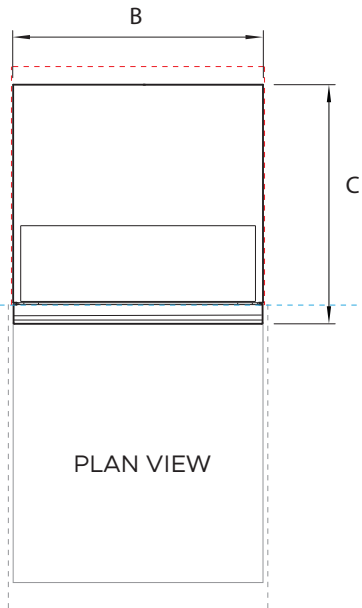
*Depending on adjustment of levelling feet
**Excluding side seals

Minimum Clearances	mm
Inside height of cavity*	820 - 880
Inside width of cavity	min 600
Overall depth of cavity	min 580
clearance to corner cupboard	13
Height of toe kick area*	101 - 161
Clearance to adjacent cupboard door	2

*Depending on adjustment of levelling feet

PRODUCT DATUM -----
INDICATES CABINETRY CLEARANCES -----

IMPORTANT NOTE: Throughout this guide, dimensions may vary by ±2mm (1/16"). Please read the Installation Guide for detailed information on installing the product. For full installation instructions visit fisherpaykel.com



Model nos:
DW60UN4X4
DW60UN4B4

Product Dimensions	mm
a Overall height of product*	820 - 880
B Overall width of product**	598
c Overall depth of product (excl handle)	580
D Height of chassis	820
e Depth of chassis (excl. inner door)	521
f Height of feet*	0 - 60
g Depth of toe kick recess	142
h Depth of door panel	46
i Height from bottom of door to floor*	103
j Depth of open door	620
k Width of door panel	595
l Height of door panel	717

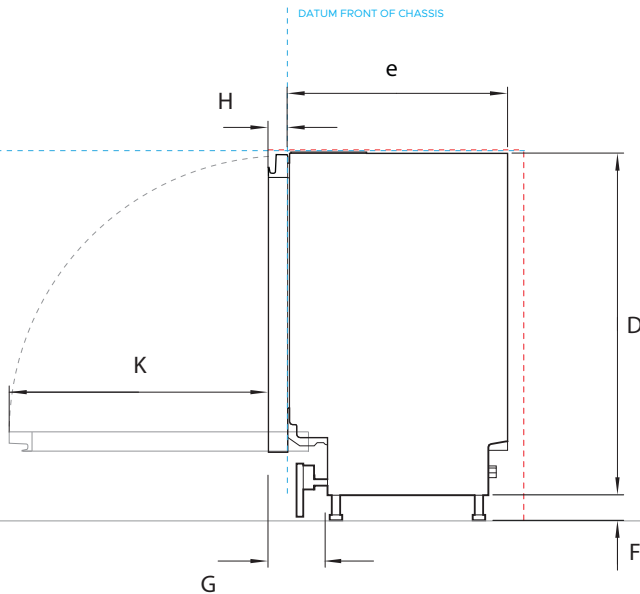
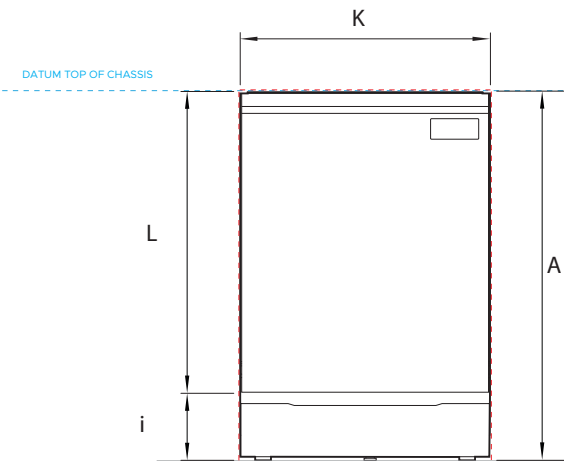
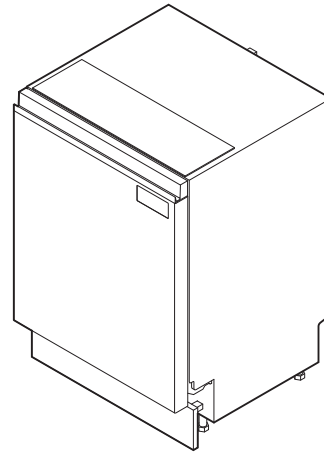
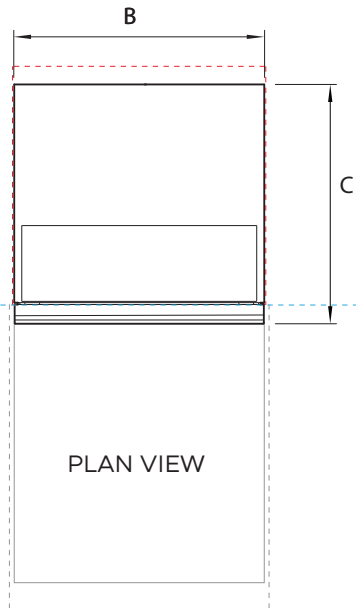
*Depending on adjustment of levelling feet
**Excluding side seals

Minimum Clearances	mm
Inside height of cavity*	820 - 880
Inside width of cavity	min 600
Overall depth of cavity	min 580
clearance to corner cupboard	13
Height of toe kick area*	101 - 161
Clearance to adjacent cupboard door	2

*Depending on adjustment of levelling feet

PRODUCT DATUM -----
INDICATES CABINETRY CLEARANCES -----

IMPORTANT NOTE: Throughout this guide, dimensions may vary by ±2mm (1/16"). Please read the Installation Guide for detailed information on installing the product. For full installation instructions visit fisherpaykel.com



Model nos:
DW60UN2X2
DW60UN2B2

Product Dimensions	mm
a Overall height of product*	820 - 880
B Overall width of product**	598
c Overall depth of product (excl handle)	580
D Height of chassis	820
e Depth of chassis (excl. inner door)	521
f Height of feet*	0 - 60
g Depth of toe kick recess	142
h Depth of door panel	46
i Height from bottom of door to floor*	103
j Depth of open door	620
k Width of door panel	595
l Height of door panel	717

*Depending on adjustment of levelling feet
**Excluding side seals

Minimum Clearances	mm
Inside height of cavity*	820 - 880
Inside width of cavity	min 600
Overall depth of cavity	min 580
clearance to corner cupboard	13
Height of toe kick area*	101 - 161
Clearance to adjacent cupboard door	2

*Depending on adjustment of levelling feet

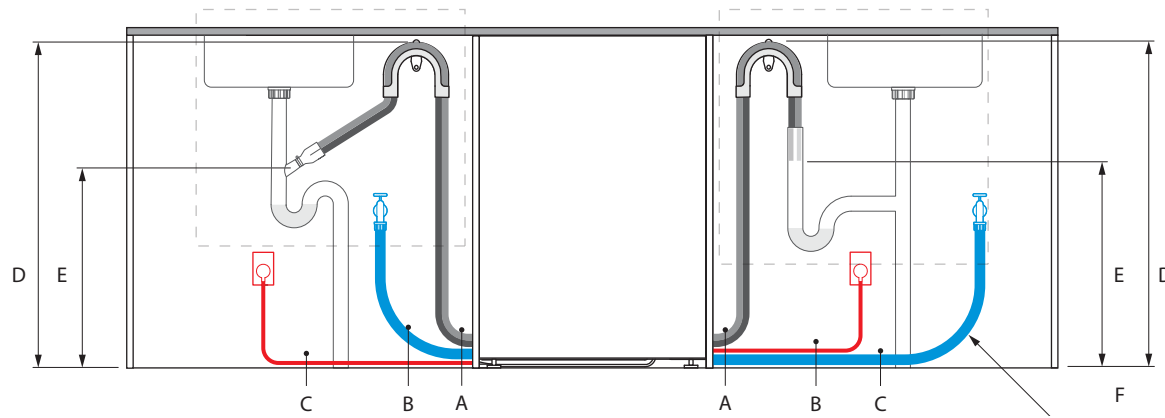
PRODUCT DATUM -----
INDICATES CABINETRY CLEARANCES -----

IMPORTANT NOTE: Throughout this guide, dimensions may vary by ±2mm (1/16"). Please read the Installation Guide for detailed information on installing the product. For full installation instructions visit fisherpaykel.com

FLOOR

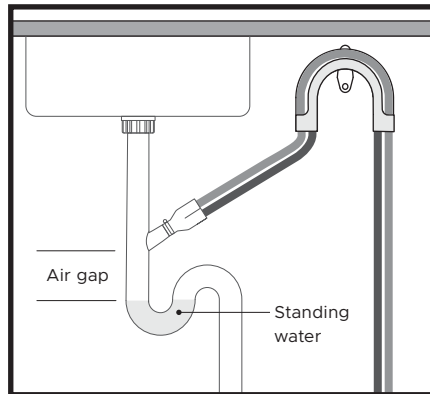


SERVICES

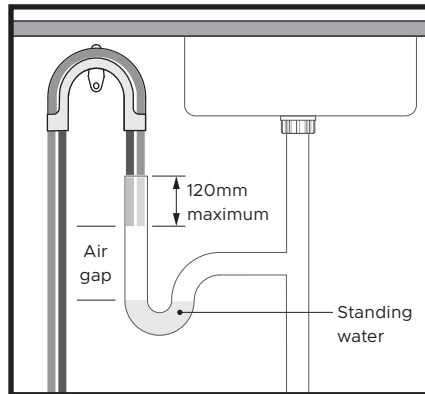


FRONT VIEW
SPIGOT INSTALLATION

FRONT VIEW
STANDPIPE INSTALLATION



DETAIL VIEW
SPIGOT INSTALLATION



DETAIL VIEW
STANDPIPE INSTALLATION

SERVICE REQUIREMENTS

Services can be routed to the left or right.

All connections, electrical and plumbing, MUST be made in adjacent cabinets.

Ensure electrical connections comply with all local standards.

SERVICE DIMENSIONS

	LEFT SIDE	RIGHT SIDE
A Length of drain hose	1980	1650
B Length of power cord*	950	1450
C Length of inlet hose	1450	1300
D Distance from floor to top of hose support	750 - 883	750 - 883
E Distance from floor to end of drain hoses**	min 500	min 500
F Inlet hose radius	min 200	min 200

* Excluding plug

** Standpipe and spigot installation

The models shown in this Planning Guide may not be available in all markets and are subject to change at any time. Product specifications may vary from those shown. This Planning Guide should not be used as installation guidance for any product. Further information is required to safely and correctly install the products featured here. Specific installation guidance will be available with the product on delivery and on our website fisherpaykel.com

