

INDUCTION HOB

PLANNING GUIDE

83CM INDUCTION HOB WITH INTEGRATED VENTILATION RECIRCULATED
CID834RDTB4

FISHER & PAYKEL

INTRODUCTION

This comprehensive planning guide provides you with the framework and tools to achieve your desired design outcome with Fisher & Paykel appliances. In this guide, you will find a range of conceptual, detailed, and dimensional product information to bring your ideas to life and create spaces that truly reflect your vision.

SUPPORT

For additional design planning and installation support please contact the Fisher & Paykel design support team. designsupport@fisherpaykel.com

NOTES

The models shown in this Planning Guide may not be available in all markets and are subject to change at any time. Refer to our website fisherpaykel.com for the latest document version. Product specifications may vary from those shown. This Planning Guide should not be used as installation guidance for any product. Specific installation guidance will be available with the product on delivery and on our website.

CONTENTS

CONCEPT DESIGN PAGE

SPECIFICATION GUIDE	
CID834RDTB4	4

DATA SHEETS PAGE

Component Overview	7
Supplied Component Overview	8
Hob Assembly	9
Hob Assembly with Extender Blocks	10
Product Clearances	11
Recirculation Filter Housing	12
62mm Extender Block	13
500mm Straight Ducting: 222 x 89	14
90° Transition Elbow	14
300mm Straight Ducting: 218 x 55	15
Recirculation Outlet	16
Straight Ducting With Connector	17
90° Horizontal Elbow	18

DEVELOPED AND DETAILED DESIGN PAGE

DESIGN CHOICES	
Outlet Placement	20
Benchtop Details	21
Overflow Trap	22

DEVELOPED AND DETAILED DESIGN PAGE

SPECIFICATION GUIDE

OVERVIEW

This two-in-one hob combines the speed and precision of induction with integrated recirculated extraction. Ideal for island installations or kitchens without external ducting, it eliminates the need for overhead ventilation and supports flexible placement while maintaining a seamless, minimal aesthetic.

**FEATURES**

- ① True design freedom – install flush or raised, ideal for islands and open-plan kitchens
- ② No need for bulky overhead hoods – suitable for high ceilings and flexible kitchen layouts
- ③ Black glass and matte detailing pair seamlessly with other appliances for a cohesive design
- ④ Responsive Touch&Slide controls allow instant, accurate temperature adjustments
- ⑤ Precise control enables fast searing or delicate simmering with ease
- ⑥ Integrated recirculated ventilation with nine speeds and boost for quiet, effective extraction
- ⑦ Induction heats only when cookware is detected, stopping immediately when it's removed
- ⑧ Grease filter tray and glass surface are easy to clean and maintain
- ⑨ Flush ventilation grille allows cookware to move smoothly across the surface
- ⑩ Direct-to-cookware heating improves energy efficiency over traditional gas or electric hobs

PRODUCT

CID834RDTB4
83cm Series 9 4 Zone Induction Hob with Integrated Ventilation, Recirculated

ACCESSORIES

50183 FR-DD
Replacement recirculation filter

82394 D1-C-218-55
1M Straight Ducting 218 x 55
Connector 218 x 55

82395 E90-222218-55
90° Horizontal Elbow

The models shown in this Planning Guide may not be available in all markets and are subject to change at any time. Product specifications may vary from those shown. This Planning Guide should not be used as installation guidance for any product. Further information is required to safely and correctly install the products featured here. Specific installation guidance will be available with the product on delivery and on our website fisherpaykel.com

SPECIFICATIONS

Model Number

CID834RDTB4 83cm Series 9 4 Zone Induction Hob with Integrated Ventilation, Recirculated

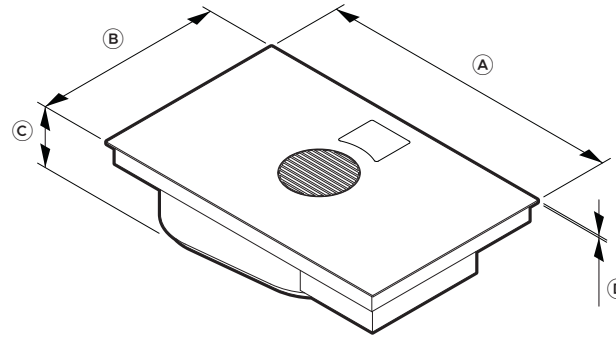
Electrical

Supply 220 - 240 V, 60 Hz

Service 34 A

Connection Terminal block

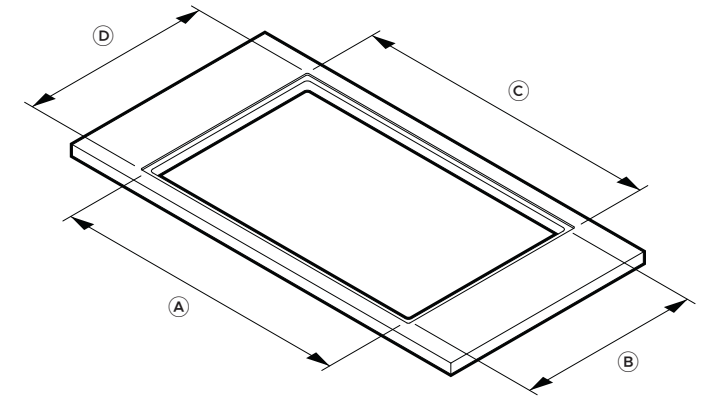
PRODUCT DIMENSIONS



ISOMETRIC VIEW

Product Dimensions	mm
A Overall width of hob	830
B Overall depth of hob	515
C Overall height of hob	217
D Height of glass including flange	5.5

CUTOUT DIMENSIONS



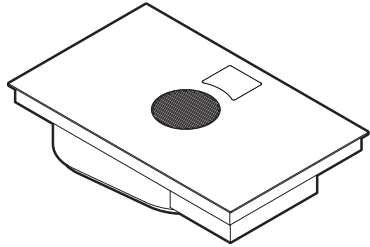
ISOMETRIC VIEW

Product Dimensions	mm
A Cutout width	807
B Cutout depth	492
C Recess width	835
D Recess depth	520
E Recess height (not shown)	6

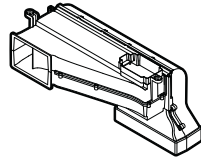
The models shown in this Planning Guide may not be available in all markets and are subject to change at any time. Product specifications may vary from those shown. This Planning Guide should not be used as installation guidance for any product. Further information is required to safely and correctly install the products featured here. Specific installation guidance will be available with the product on delivery and on our website fisherpaykel.com

DATA SHEETS

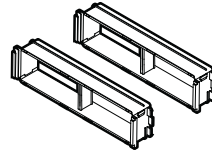
SUPPLIED COMPONENTS



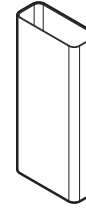
DOWNDRAFT INDUCTION HOB



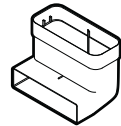
RECIRCULATION FILTER HOUSING



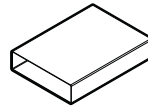
62MM EXTENDER BLOCK (X2)



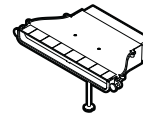
500MM STRAIGHT DUCTING 222 X 89



90° TRANSITION ELBOW 222 X 89 - 218 X 55

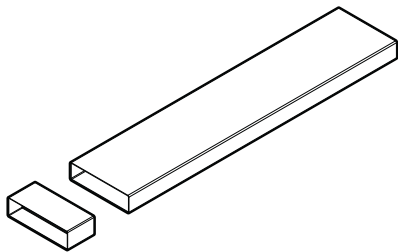


300MM STRAIGHT DUCTING 218 X 55

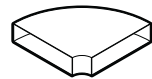


RECIRCULATION OUTLET

OPTIONAL COMPONENTS



1M STRAIGHT DUCTING 218 X 55 + CONNECTOR 218 X 55



90° HORIZONTAL ELBOW

Model no:

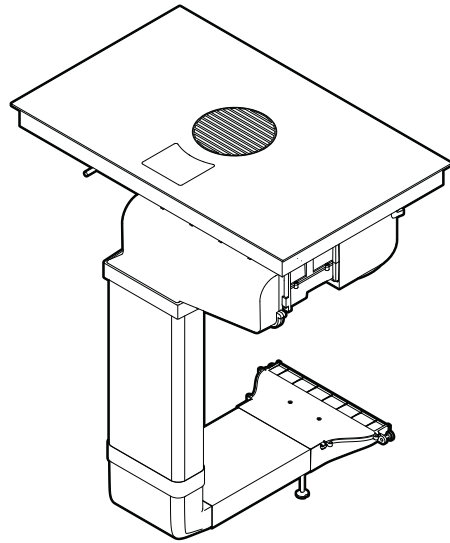
CID834RDTB4 83cm Series 9 4 Zone Induction Hob with Integrated Ventilation, Recirculated

Supplied Components	Quantity
Downdraft Induction Hob	1
Recirculation Filter Housing	1
62mm Extender Block - optional	2
500mm Straight Ducting: 222 x 89	1
90° Transition Elbow: 222 x 89 to 218 x 55	1
300mm Straight Ducting: 218 x 55	1
Recirculation Outlet	1

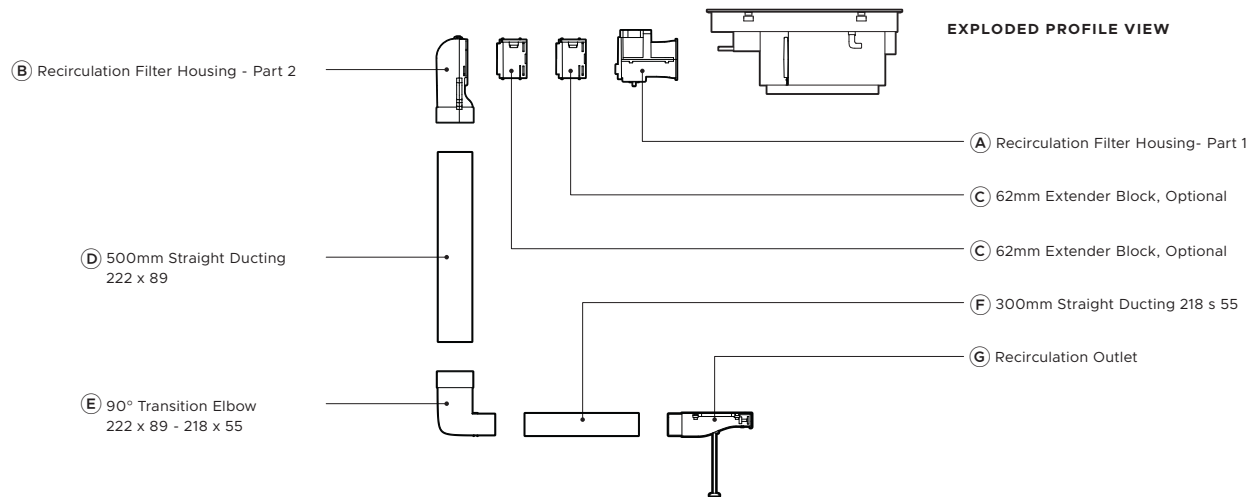
Optional components can be purchased separately to expand venting options.

Optional Components	Model no.
1M Straight Ducting 218 x 55	D1-C-218-55
Connector 218 x 55	
90° Horizontal Elbow	E90-218-55

The models shown in this Planning Guide may not be available in all markets and are subject to change at any time. Product specifications may vary from those shown. This Planning Guide should not be used as installation guidance for any product. Further information is required to safely and correctly install the products featured here. Specific installation guidance will be available with the product on delivery and on our website fisherpaykel.com



ISOMETRIC BACK VIEW

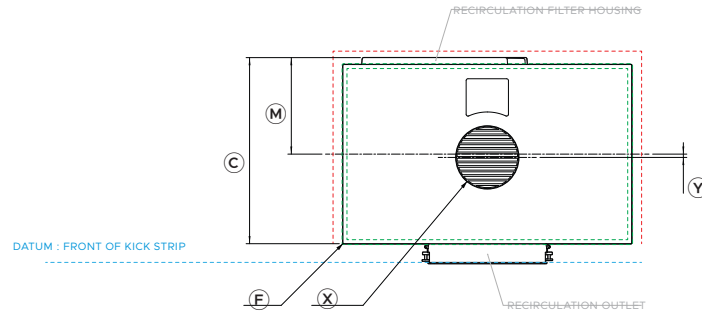


Model no:

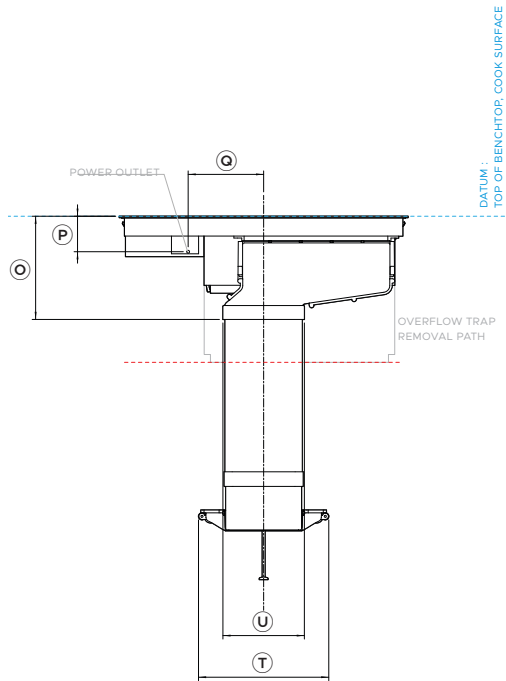
CID834RDTB4 83cm Series 9 4 Zone Induction Hob with Integrated Ventilation, Recirculated

Ducting Parts Supplied	Quantity
(A) Recirculation Filter Housing, part 1	1
(B) Recirculation Filter Housing, part 2	1
(C) 62mm Extender Block - optional	2
(D) 500mm Straight Ducting: 222 x 89 *	1
(E) 90° Transition Elbow: 222 x 89 to 218 x 55	1
(F) 300mm Straight Ducting: 218 x 55 *	1
(G) Recirculation Outlet	1

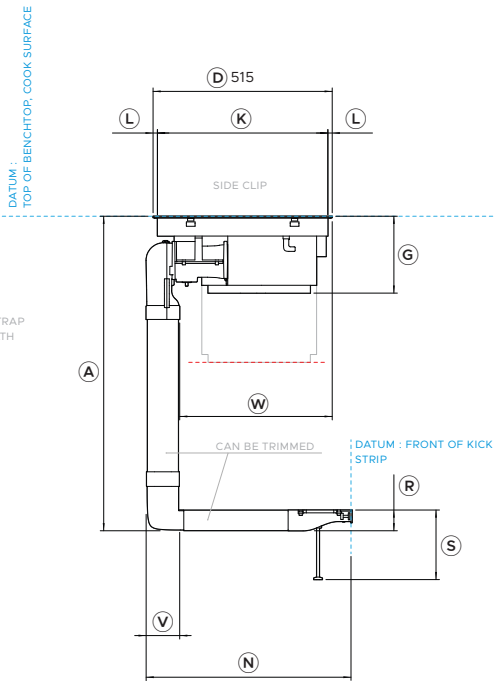
* Ducting length can be trimmed to fit cabinetry requirements.



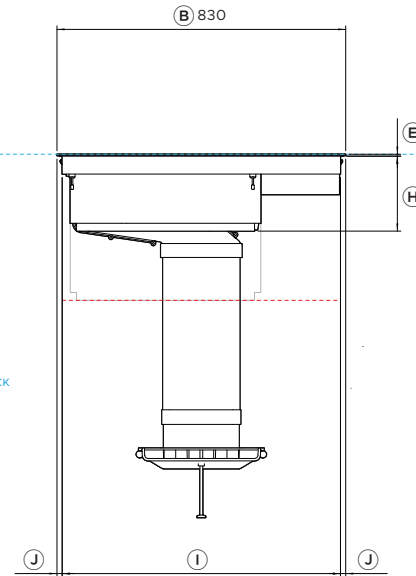
PLAN VIEW



BACK VIEW



PROFILE VIEW



FRONT VIEW

Model no:

CID834RDTB4 83cm Series 9 4 Zone Induction Hob with Integrated Ventilation, Recirculated

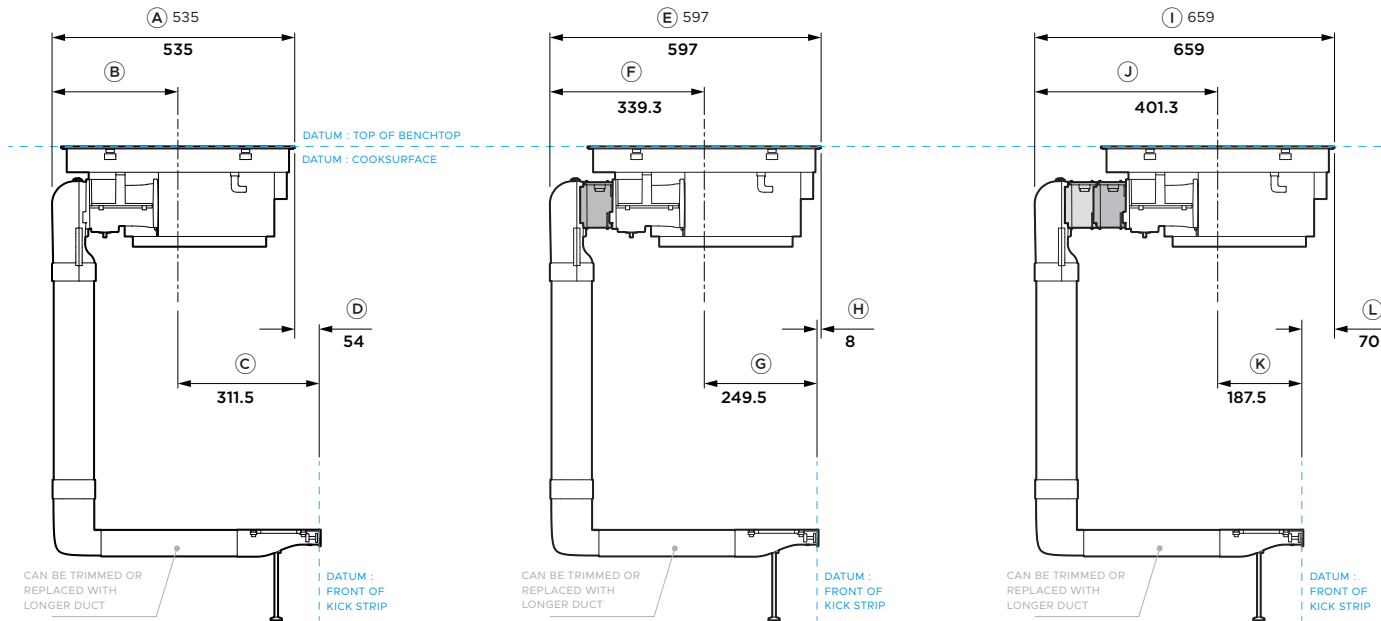
Product Dimensions **mm**

(A)	Maximum overall height of hob and supplied ducting components (excludes foot, straight ducting can be trimmed)	904
(B)	Overall width of hob	830
(C)	Depth of hob including Recirculation Housing Filter* (excludes Recirculation Outlet)	535
(D)	Depth of hob glass	515
(E)	Height of hob glass (includes chassis flange)	5.5
(F)	Corner radii of glass	2
(G)	Height of hob (includes glass, chassis and overflow trap)	218
(H)	Height of chassis (includes overflow trap)	213
(I)	Width of chassis (excludes side clips)	799
(J)	Width of glass overhang at side of chassis	15
(K)	Depth of chassis	488
(L)	Depth of glass overhang at front and rear of chassis	13
(M)	Depth from centre of hob to rear of Recirculation Filter Housing	278
(N)	Maximum depth of supplied ducting components to front of kick strip (straight ducting can be trimmed)	589
(O)	Height from cook surface to base of Recirculation Filter Housing	297
(P)	Height from top of hob to power outlet	102
(Q)	Width from centre of hob to power outlet	217
(R)	Height of Recirculation Outlet (excludes adjustable foot)	60
(S)	Maximum height of adjustable foot from top of Outlet	200
(T)	Width of Recirculation Outlet	375
(U)	Overall width of vertical ducting	234
(V)	Overall depth of vertical ducting	97
(W)	Depth from front of glass to vertical ducting*	438
(X)	Diameter of extractor cover	179
(Y)	Offset of extractor forward from centre of hob	10

*Can be increased by adding 62mm Extender Block (x2 supplied). Refer subsequent pages for details.

----- INDICATES CABINETRY / PRODUCT DATUM
 - - - - - INDICATES CABINETRY CLEARANCES
 - · - · - INDICATES CUTOUT

IMPORTANT NOTE: Throughout this guide, dimensions may vary by ±2mm (1/16"). Please read the installation manual for detailed information on installing the product. For full installation instructions & specifications visit fisherpaykel.com



PROFILE VIEW
WITHOUT EXTENDER BLOCK

PROFILE VIEW
x1 EXTENDER BLOCK

PROFILE VIEW
x2 EXTENDER BLOCK

Model no:

CID834RDTB4 83cm Series 9 4 Zone Induction Hob with Integrated Ventilation, Recirculated

Shown with:

SUPPLIED Extender Blocks

Assembly without optional Extender Block		mm
(A)	Depth from front of glass to rear of ducting	535
(B)	Depth from center of hob to rear of ducting	278
(C)	Depth from center of hob to rear of Recirculation Outlet flange*	312
(D)	Distance from front of glass to rear of Recirculation Outlet flange*	54

Assembly with x1 62mm Extender Block		mm
(E)	Depth from front of glass to rear of ducting	597
(F)	Depth from center of hob to rear of ducting	340
(G)	Depth from center of hob to rear of Recirculation Outlet flange*	250
(H)	Distance from front of glass to rear of Recirculation Outlet flange**	8

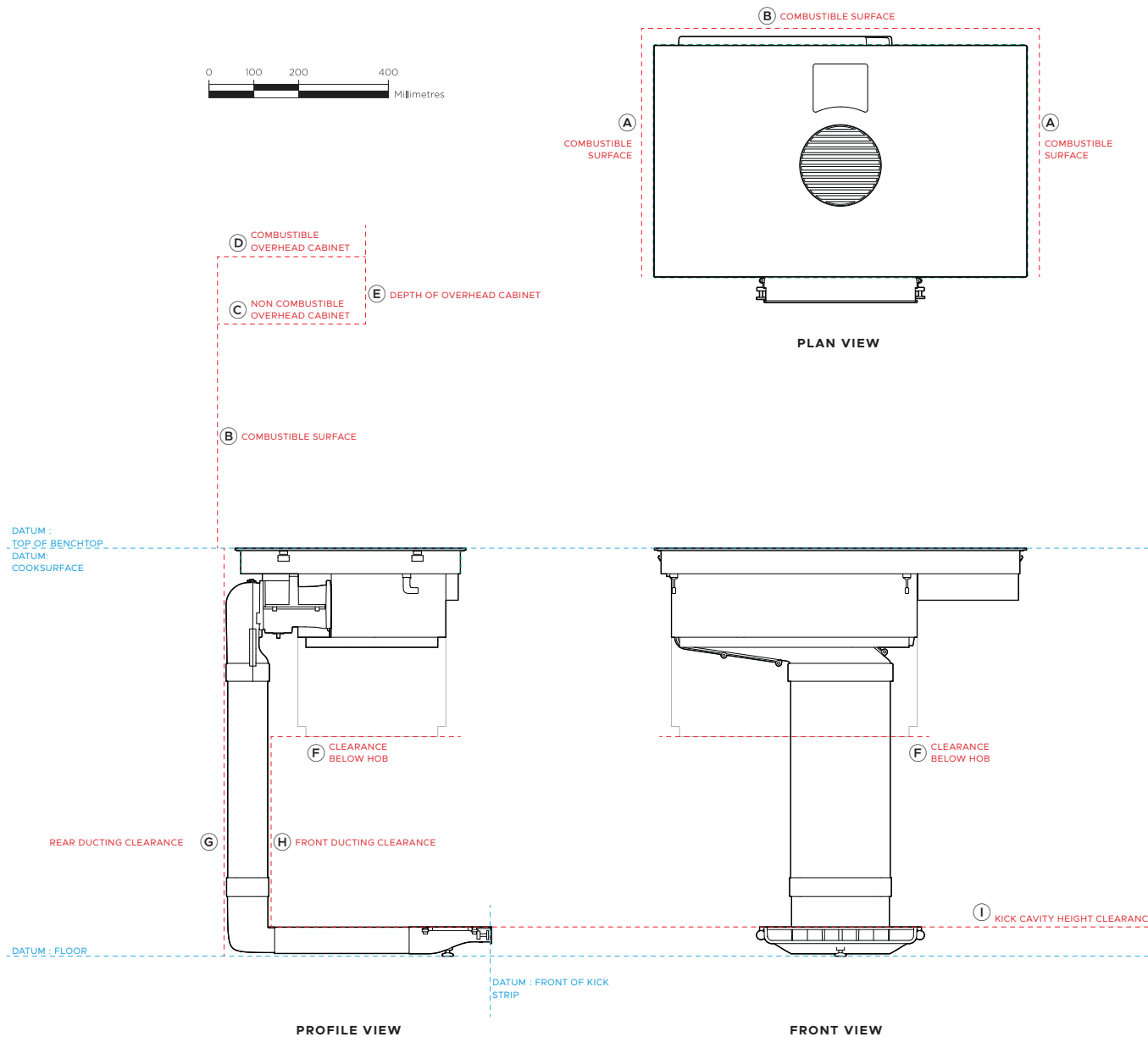
Assembly with x2 62mm Extender Block		mm
(I)	Depth from front of glass to rear of ducting	659
(J)	Depth from center of hob to rear of ducting	402
(K)	Depth from center of hob to rear of Recirculation Outlet flange*	188
(L)	Distance from front of glass to rear of Recirculation Outlet flange**	70

*Maximum distance with supplied ducting. Can be reduced by trimming horizontal ducting.

**Minimum distance with supplied ducting. Can be increased by trimming horizontal ducting.

----- INDICATES CABINETRY / PRODUCT DATUM
 - - - - - INDICATES CABINETRY CLEARANCES
 - - - - - INDICATES CUTOUT

IMPORTANT NOTE: Throughout this guide, dimensions may vary by ±2mm (1/16"). Please read the installation manual for detailed information on installing the product. For full installation instructions & specifications visit fisherpaykel.com



Model no:
CID834RDTB4 83cm Series 9 4 Zone Induction Hob with Integrated Ventilation, Recirculated

Shown with:
SUPPLIED Extender Blocks

Product Clearances	mm
(A) Minimum clearance from nearest combustible surface to - side edge of cutout - side edge of glass	40 30
(B) Minimum clearance from nearest combustible surface to - rear edge of cutout - rear edge of glass - front edge of glass	50 39 554
(C) Minimum clearance from top of cook surface to non combustible surface directly above hob	500
(D) Minimum clearance from top of cook surface to combustible surface directly above hob	650
(E) Maximum depth of overhead cabinetry	330
(F) Minimum clearance below cook surface to top of any appliance or obstruction below hob (required for cleaning access)	421
(G) Rear ducting clearance from - rear edge of cutout* - front edge of glass*	36/98/160 540/602/664
(H) Front ducting clearance from - rear ducting clearance - front edge of glass*	105 435/497/559
(I) Minimum kick cavity height	65

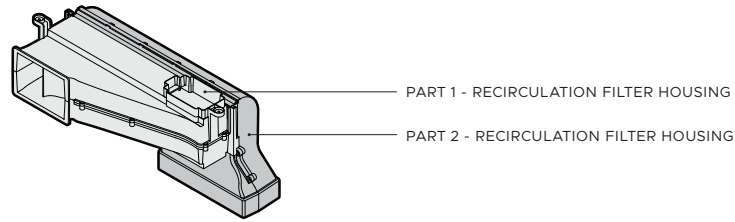
* Can be increased by using 62mm extender blocks (x2 supplied). Refer to 'Supplied Ducting with Extender Block' page for further details.

** Dimensions - no extender block / x1 extender block / x2 extender block

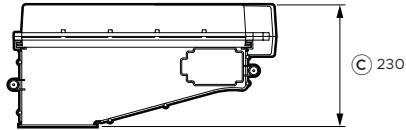
Ventilation Requirements	cm ²
Minimum ventilation gap at front of hob	42cm ²
Minimum ventilation gap at rear of hob	40cm ²

----- INDICATES CABINETRY / PRODUCT DATUM
- - - - - INDICATES CABINETRY CLEARANCES
- · - · - INDICATES CUTOUT

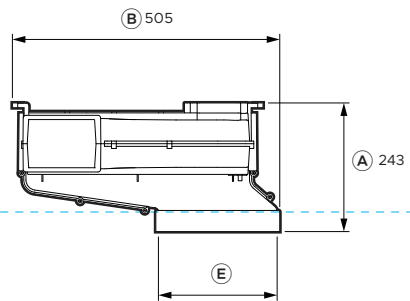
IMPORTANT NOTE: Throughout this guide, dimensions may vary by ±2mm (1/16"). Please read the installation manual for detailed information on installing the product. For full installation instructions & specifications visit fisherpaykel.com



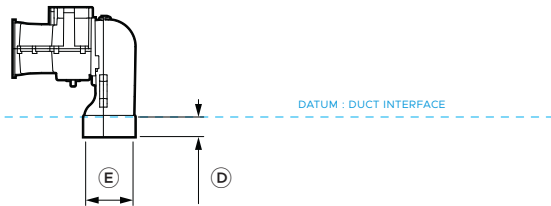
ISO FRONT VIEW
RECIRCULATION FILTER HOUSING



PLAN VIEW



FRONT VIEW



PROFILE VIEW

Model no:

CID834RDTB4 83cm Series 9 4 Zone Induction Hob with Integrated Ventilation, Recirculated

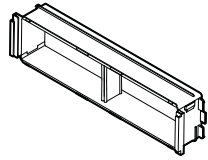
Part Shown:

Supplied Recirculation Filter Housing - Part 1
Supplied Recirculation Filter Housing - Part 2

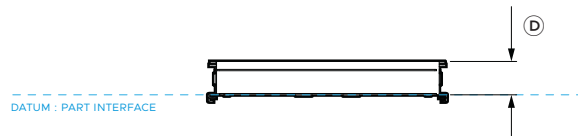
Product Dimensions	mm
(A) Overall height of housing	243
(B) Overall width of housing	505
(C) Overall depth of housing	230
(D) Internal height of female outlet	37
(E) Internal width of female outlet	224
(F) Internal depth of female outlet	90

----- INDICATES CABINETRY / PRODUCT DATUM
- - - - - INDICATES CABINETRY CLEARANCES
- · - · - INDICATES CUTOUT

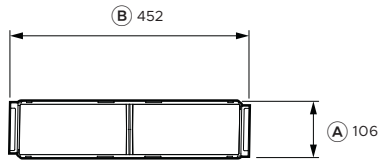
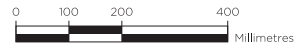
IMPORTANT NOTE: Throughout this guide, dimensions may vary by ±2mm (1/16"). Please read the installation manual for detailed information on installing the product. For full installation instructions & specifications visit fisherpaykel.com



ISO FRONT VIEW
62MM EXTENDER BLOCK



PLAN VIEW



FRONT VIEW



PROFILE VIEW

Model no:

CID834RDTB4 83cm Series 9 4 Zone Induction Hob with Integrated Ventilation, Recirculated

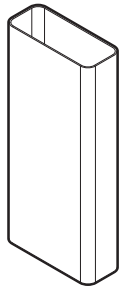
Part Shown:

Supplied x2 Extender Block

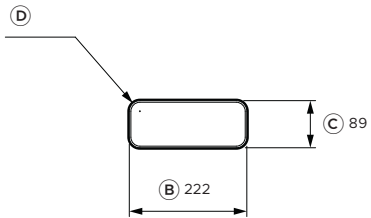
Product Dimensions		mm
(A)	Overall height of block	106
(B)	Overall width of block	452
(C)	Overall depth of block	77
(D)	Depth between connection flanges	62

----- INDICATES CABINERY / PRODUCT DATUM
 - - - - - INDICATES CABINERY CLEARANCES
 - · - · - INDICATES CUTOUT

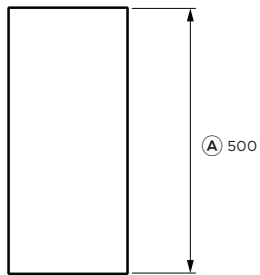
IMPORTANT NOTE: Throughout this guide, dimensions may vary by ±2mm (1/16"). Please read the installation manual for detailed information on installing the product. For full installation instructions & specifications visit fisherpaykel.com



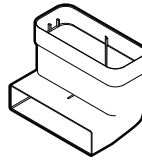
ISO FRONT VIEW
500MM STRAIGHT DUCTING
222 X 89



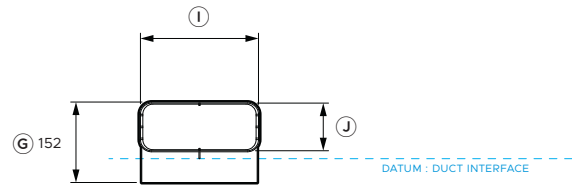
PLAN VIEW



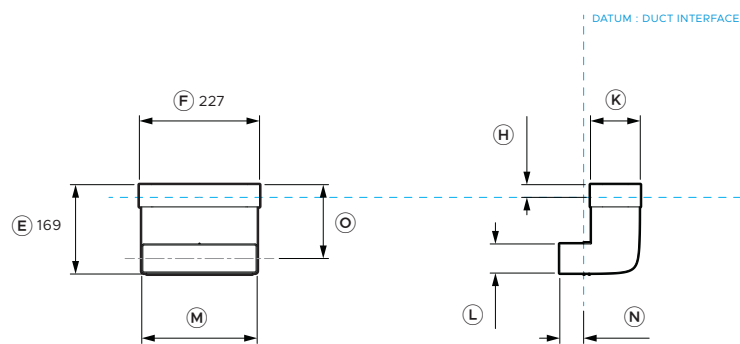
FRONT VIEW



ISO FRONT VIEW
90° TRANSITION ELBOW
222 X 89 - 218 X 55



PLAN VIEW



FRONT VIEW

PROFILE VIEW



Model no:

CID834RDTB4 83cm Series 9 4 Zone Induction Hob with Integrated Ventilation, Recirculated

Parts Shown:

Supplied x1 500mm Straight Ducting 222 x 89
Supplied x1 90° Transition Elbow 222 x 89 - 218 x 55

Product Dimensions **mm**

500mm Straight Ducting 222 x 89

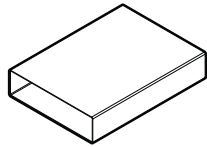
(A)	Overall height of male ducting	500
(B)	Overall width of male ducting	222
(C)	Overall depth of male ducting	89
(D)	Corner radii of ducting	20

90° Transition Elbow 222 x 89 - 218 x 55

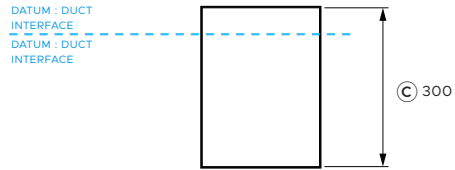
(E)	Overall height of elbow	169
(F)	Overall width of elbow	227
(G)	Overall depth of elbow	152
(H)	Internal height to duct interface of female duct end	24
(I)	Internal width of female duct end	223
(J)	Internal depth of female duct end	90
(K)	External depth of female duct end	94
(L)	External height of male duct end	55
(M)	External width of male duct end	218
(N)	Depth of locators on male duct end	45
(O)	Height from centre of male duct end to top of elbow	140

----- INDICATES CABINETRY / PRODUCT DATUM
- - - - - INDICATES CABINETRY CLEARANCES
- · - · - INDICATES CUTOUT

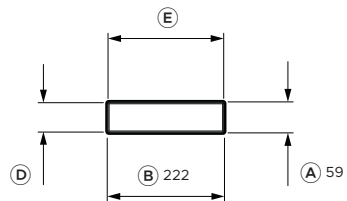
IMPORTANT NOTE: Throughout this guide, dimensions may vary by ±2mm (1/16"). Please read the installation manual for detailed information on installing the product. For full installation instructions & specifications visit fisherpaykel.com



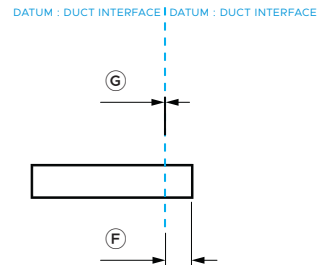
ISO FRONT VIEW
300MM STRAIGHT DUCTING



PLAN VIEW



FRONT VIEW



PROFILE VIEW

Model no:

CID834RTB4 83cm Series 9 4 Zone Induction Hob with Integrated Ventilation, Recirculated

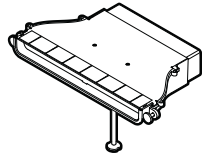
Part Shown:

Supplied x1 300mm Straight Ducting: 218 x 55

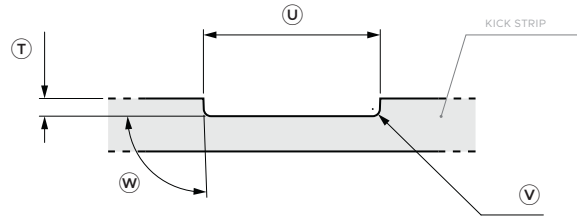
Product Dimensions	mm
① Overall height of female ducting	59
② Overall width of female ducting	222
③ Overall length of female ducting	300
④ Internal height of female duct ends	56
⑤ Internal width of female duct ends	219
⑥ Depth to internal divider (duct interface)	49
⑦ Thickness of internal divider	2

----- INDICATES CABINERY / PRODUCT DATUM
 - - - - - INDICATES CABINERY CLEARANCES
 - · - · - INDICATES CUTOUT

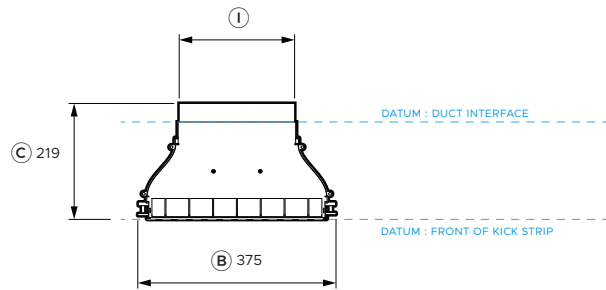
IMPORTANT NOTE: Throughout this guide, dimensions may vary by ±2mm (1/16"). Please read the installation manual for detailed information on installing the product. For full installation instructions & specifications visit fisherpaykel.com



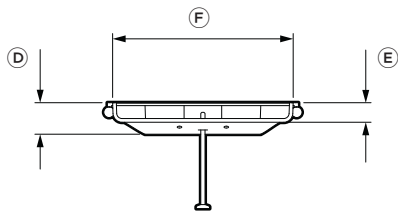
ISO FRONT VIEW
RECIRCULATION OUTLET



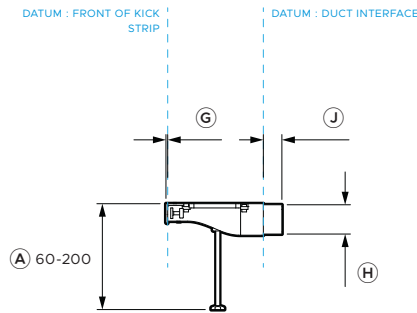
FRONT VIEW
CABINERY CUTOUT



PLAN VIEW



FRONT VIEW



PROFILE VIEW

Model no:

CID834RDTB4 83cm Series 9 4 Zone Induction Hob with Integrated Ventilation, Recirculated

Part Shown:

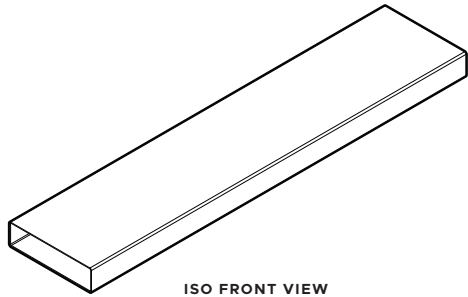
Supplied x1 Recirculation Outlet

Product Dimensions	mm
(A) Overall height of outlet (including adjustable foot)	60 - 200
(B) Overall width of outlet	375
(C) Overall length of outlet	219
(D) Height of outlet box (excluding adjustable foot)	60
(E) Height of outlet flange	37
(F) Width of outlet flange	341
(G) Thickness of outlet flange	3
(H) Height of male inlet	55
(I) Width of male inlet	218
(J) Length of male inlet	35

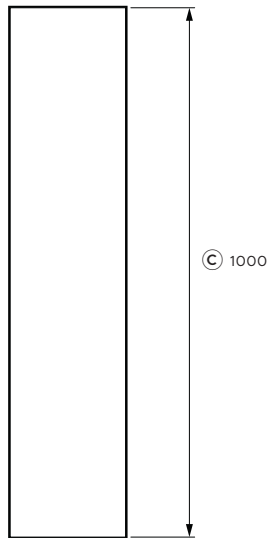
Cabinetry Cutout Dimensions	mm
(K) Height of cutout	34
(L) Width of cutout	334
(M) Corner radii of cutout	13
(N) Angle of sides	92°

----- INDICATES CABINERY / PRODUCT DATUM
 - - - - - INDICATES CABINERY CLEARANCES
 - · - · - INDICATES CUTOUT

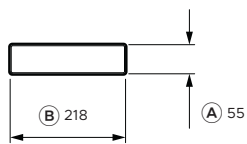
IMPORTANT NOTE: Throughout this guide, dimensions may vary by ±2mm (1/16"). Please read the installation manual for detailed information on installing the product. For full installation instructions & specifications visit fisherpaykel.com



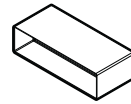
ISO FRONT VIEW
1M STRAIGHT DUCTING 218 X 55



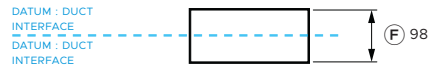
PLAN VIEW



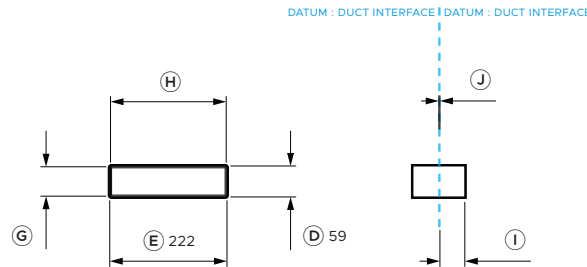
FRONT VIEW



ISO FRONT VIEW
218 X 55 CONNECTOR



PLAN VIEW



FRONT VIEW

PROFILE VIEW

Model no:

D1-C-218-55 Straight Ducting With Connector

Parts Shown:

D1-C-218-55 1M Straight Ducting 218 x 55 (x1)
D1-C-218-55 218 x 55 Connector (x1)

Product Dimensions **mm**

1M Straight Ducting 218 x 55

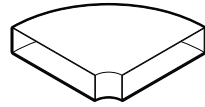
(A) Overall height of male ducting	55
(B) Overall width of male ducting	218
(C) Overall length of male ducting	1000

218 x 55 Connector

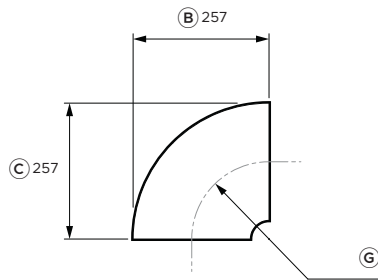
(D) Overall height of connector	59
(E) Overall width of connector	222
(F) Overall depth of connector	98
(G) Internal height of female ends	56
(H) Internal width of female ends	219
(I) Depth to internal divider (duct interface)	47
(J) Thickness of divider	2

----- INDICATES CABINetry / PRODUCT DATUM
- - - - - INDICATES CABINetry CLEARANCES
- · - · - INDICATES CUTOUT

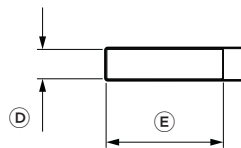
IMPORTANT NOTE: Throughout this guide, dimensions may vary by ±2mm (1/16"). Please read the installation manual for detailed information on installing the product. For full installation instructions & specifications visit fisherpaykel.com



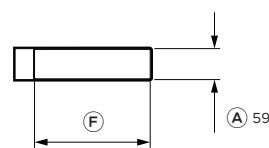
ISO FRONT VIEW
90° HORIZONTAL ELBOW



PLAN VIEW



FRONT VIEW



PROFILE VIEW

Model no:

E90-218-55 90° Horizontal Elbow

Product Dimensions

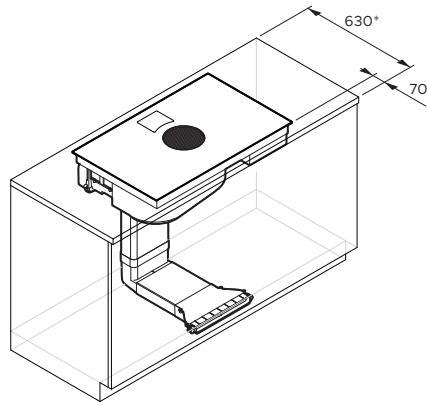
	mm
(A) Overall height of elbow	59
(B) Overall width of elbow	257
(C) Overall depth of elbow	257
(D) Internal height of female ends	56
(E) External width of female ends	222
(F) Internal width of female ends	219
(G) Center radius of elbow	146

----- INDICATES CABINERY / PRODUCT DATUM
 - - - - - INDICATES CABINERY CLEARANCES
 - · - · - INDICATES CUTOUT

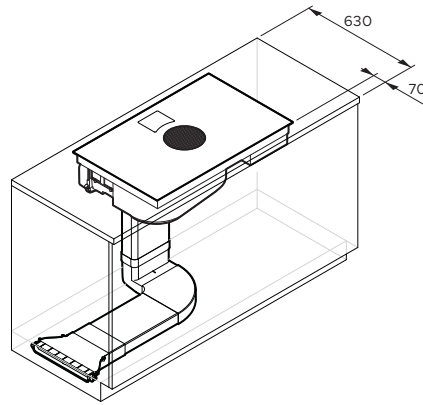
IMPORTANT NOTE: Throughout this guide, dimensions may vary by ±2mm (1/16"). Please read the installation manual for detailed information on installing the product. For full installation instructions & specifications visit fisherpaykel.com

DESIGN CHOICES

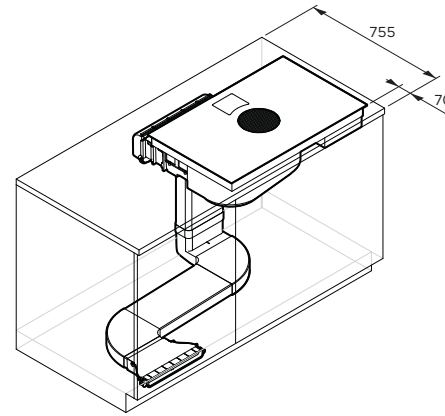
PLEASE NOTE :
These are representational illustrations of cabinetry to show ducting options and provide guideline minimum benchtop depths. Dimensions can be adapted to suit specific location, cabinetry materials and construction methods.



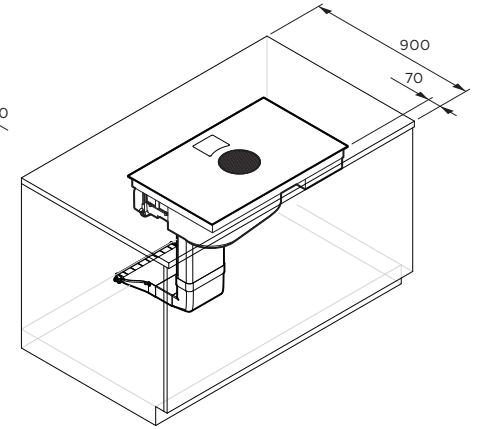
RECIRCULATION OUTLET TO FRONT



RECIRCULATION OUTLET TO SIDE



RECIRCULATION OUTLET TO FRONT, OFFSET



RECIRCULATION OUTLET TO REAR

CONSIDERATIONS

- Compact - fits in 900 wide cabinet
- No construction allowances required outside 900 wide cabinet
- 65mm minimum kick height
- Recirculation outlet is at ankle height when using hob

- Can be vented to the left or right
- Requires kick space under neighbouring cabinets
- 65mm minimum kick height
- Venting away from a persons feet, but potentially below another workspace or on visual surface

- Can be vented to the left or right
- Requires kick space under neighbouring cabinets
- 65mm minimum kick height
- Venting away from a persons feet, but potentially below another workspace

- Requires deeper counter and cabinetry
- 65mm minimum kick height
- Venting away from workspace
- Vent outlet into dining or living spaces, potentially visible

BENCH DEPTH*

630mm** minimum

630mm** minimum

755mm minimum

900mm minimum

BENCH TYPE

Peninsula, Island, Wall

Peninsula, Island, Wall

Peninsula, Island, Wall

Peninsula, Island

SUPPLIED PARTS

Recirculation Filter Housing	x1
62mm Extender Block	
500mm Straight Ducting 222x89	x1
90° Transition Elbow	x1
300mm Straight Ducting 218x55	x1
Recirculation Outlet	x1

OPTIONAL PARTS

1M Straight Ducting 218 x 55	
Connector 218 x 55	
90° Horizontal Elbow	

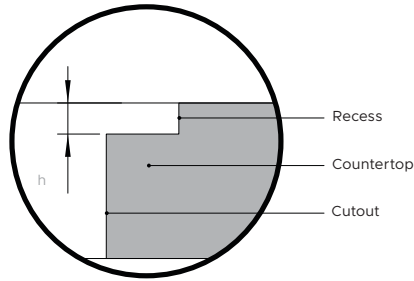
	x1
	x1
	x1

	x1
	x2

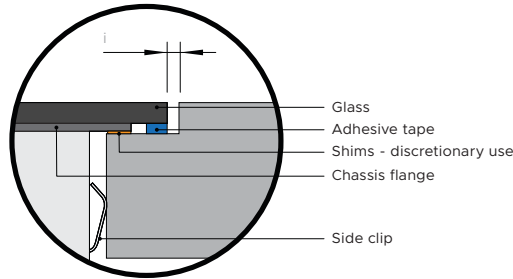
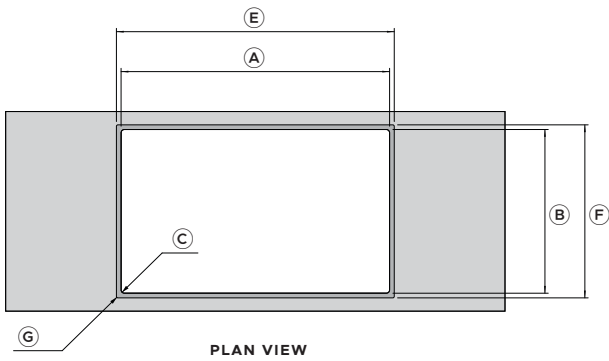
*Minimum benchtop depths are driven by ducting depth requirements within the cabinetry. For this example 19mm back panels have been used and finished flush with the back edge of the benchtop.

** Minimum bench depth can be reduced to 600mm if distance from front of glass to front of benchtop reduced to 40mm (example distance 70mm)

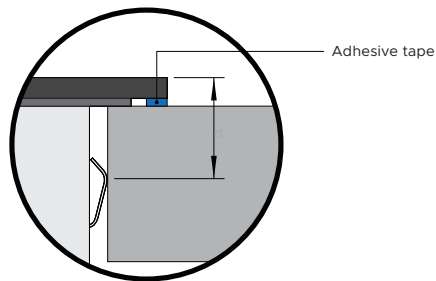
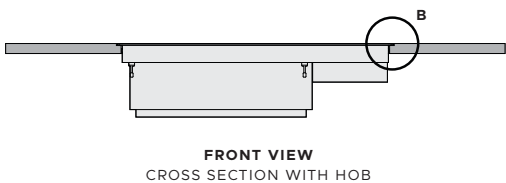
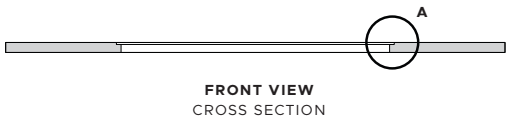
The models shown in this Planning Guide may not be available in all markets and are subject to change at any time. Product specifications may vary from those shown. This Planning Guide should not be used as installation guidance for any product. Further information is required to safely and correctly install the products featured here. Specific installation guidance will be available with the product on delivery and on our website fisherpaykel.com



DETAIL A
FRONT VIEW - CROSS SECTION
Bench top without hob,
reces for flush installation



DETAIL B
FRONT VIEW
Benchtop with hob,
flush installation



DETAIL - SUPPLEMENTARY
FRONT VIEW
Benchtop with hob,
proud installation

BENCHTOP INSTALLATION OPTIONS

The hob can be installed flush or proud in the countertop. Both installation scenarios require a cutout to accommodate the hob chassis. To achieve a flush finish between glass and countertop a recess is required.

Cutout Dimensions	mm
Overall width of cutout	807
Overall depth of cutout	492
Maximum corner radii	10
Distance from top of glass to clip interface	21

Cutout Dimensions	mm
Overall width of cutout	807
Overall depth of cutout	492
Maximum corner radii	10
Distance from top of glass to clip interface	21

----- INDICATES CABINETRY / PRODUCT DATUM
 - - - - - INDICATES CABINETRY CLEARANCES
 - · - · - INDICATES CUTOUT

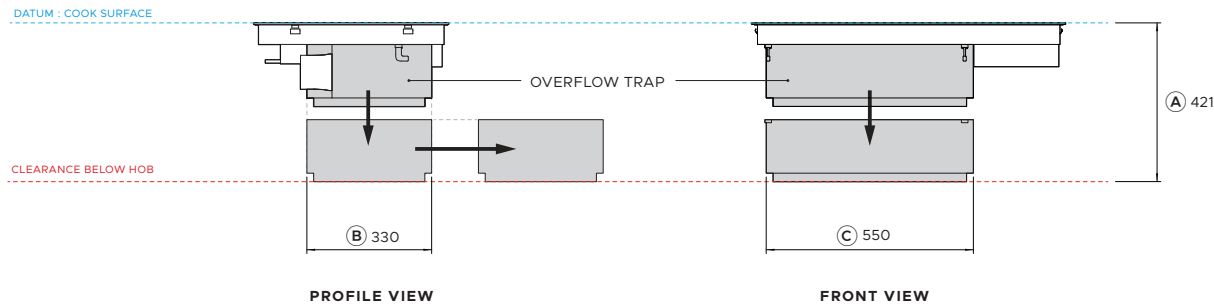
IMPORTANT NOTE: Throughout this guide, dimensions may vary by ±2mm (1/16"). Please read the installation manual for detailed information on installing the product. For full installation instructions & specifications visit fisherpaykel.com

OVERFLOW TRAP REMOVAL

The overflow trap is located below the hob chassis. To allow cleaning, the overflow trap is required to be disconnected and removed.



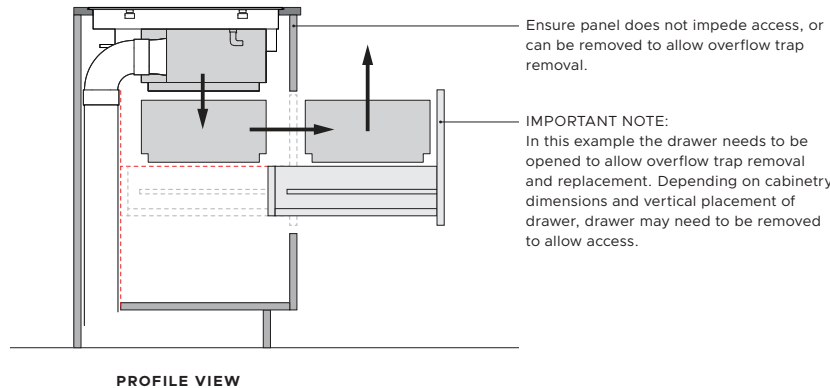
MOTION OF OVERFLOW TRAP REMOVAL



CABINERY EXAMPLE

Cabinetry needs to provide sufficient space to allow ease of access, removal and replacement of the overflow trap.

Cabinetry depicted is to provide a simplified example only and will need to be adapted to suit design requirements, specific location, cabinetry materials and construction methods.



OVERFLOW TRAP OVERVIEW

The overflow trap is located below the hob chassis. To allow cleaning, the overflow trap is required to be disconnected and removed from cabinetry. Cabinetry needs to provide sufficient clearance space to allow ease of access, removal and replacement of the overflow trap.

Cabinetry shown on this page is to provide a guideline only and will need to be adapted to suit design requirements, specific location, cabinetry materials and construction methods.

Overflow Trap Specifications	mm
Minimum clearance below cook surface to top of any appliance or obstruction below hob to allow removal of overflow trap for cleaning	421
Depth of overflow trap	330
Width of overflow trap	550

----- INDICATES CABINERY / PRODUCT DATUM
 ----- INDICATES CABINERY CLEARANCES
 ----- INDICATES CUTOUT

IMPORTANT NOTE: Throughout this guide, dimensions may vary by ±2mm (1/16"). Please read the installation manual for detailed information on installing the product. For full installation instructions & specifications visit fisherpaykel.com

