

---

# DISHWASHER INSTALLATION GUIDE

---

Components required	3
Accessing your product specifications	4
Cabinetry preparation	5
Prior to installation - services	7
Unpack products	8
Apply sealing tape	10
Adjust dishwasher height	11
Attach spacers	13
Place in cavity	14
Install custom toe kick	15
Install full length toe kick	17
Secure in cavity	18
Install drain	19
Connect power	21
Connect water inlet	22
Installer checklist	23

**FISHER & PAYKEL**

US CA

## **DISHWASHER**

---

DW24UDT4X4, DW24UDT2X4, DW24UCT2X4

# COMPONENTS REQUIRED

## TOOLS

### Supplied

- 4mm/ 6mm Allen key

### Not supplied

- Box cutter
- Cross head screwdriver
- Flat blade screw driver
- Drill
- 1x 13mm Drill bit
- 1x 2.5mm Drill bit
- Level
- Pliers
- Pencil

## PARTS

### Supplied

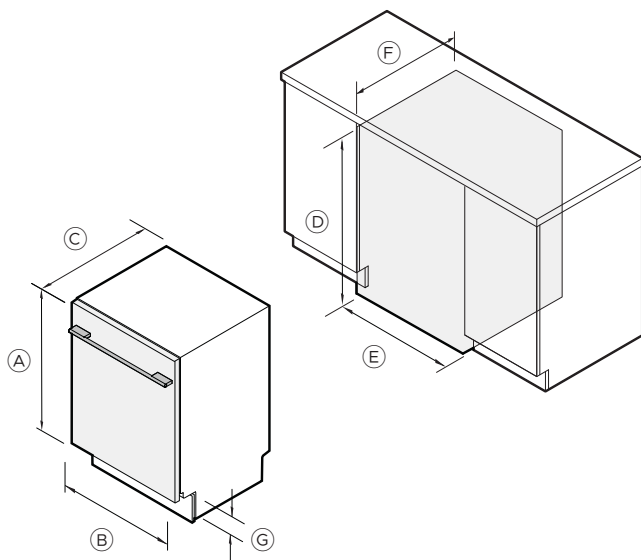
- 1x Moisture protection tape
- 1x pre-finished toe kick panel
- 2x Toe kick brackets
- 4x 25mm screws (4)
- 4x 13mm screws (5)
- 4.2x 50mm screws (2)
- 4x Spacer sets

- 1x Drain hose support
- Washer (2)

## ACCESSING YOUR PRODUCT SPECIFICATIONS



For full product, cabinetry and service specifications, refer to the Planning Guide. To access the Planning Guide, scan the QR code or visit [fisherpaykel.com/specify](http://fisherpaykel.com/specify). Search by appliance type, product name or model code.



Models	DW24UDT4X4, DW24UDT2X4, DW24UCT2X4	
Dimensions	mm	Inch
<b>A</b> Overall height*	857-917	33 3/4 - 36 1/8
<b>B</b> Chassis width	598	23 9/16
<b>C</b> Chassis depth**	580	22 13/16
<b>D</b> Cavity height	857-917	33 3/4 - 36 1/8
<b>E</b> Cavity minimum width	600	23 5/8
<b>F</b> Cavity minimum depth**	580	22 13/16
<b>G</b> Height from bottom of door to floor*	101-161	4 - 6 5/16

\*Depending on adjustment of levelling feet.

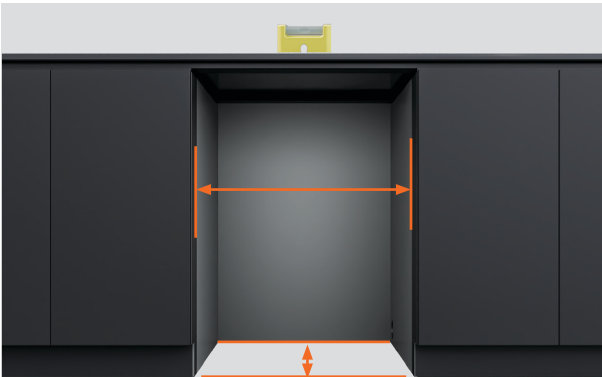
\*\*Assumes 18mm door panels. Note: A 2mm clearance gap is required between the dishwasher drawer panels and surrounding cabinet panels.

## CABINETS PREPARATION



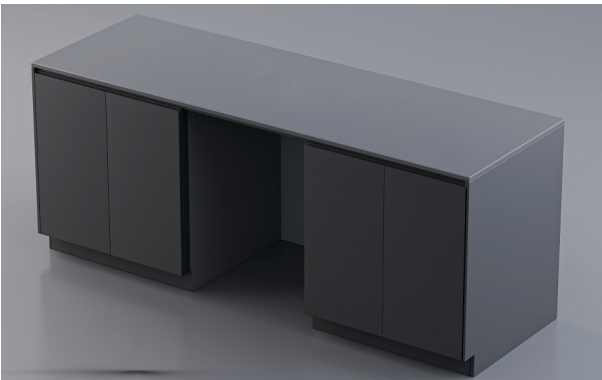
[fisherpaykel.com/specify](https://fisherpaykel.com/specify)

1. Refer to the Planning Guide for cabinetry, cavity, panel and service specifications.



2. Ensure the cabinet is level, and the sides are square.

Ensure the cabinetry meets the minimum cavity specifications required.



3. Ensure that all substrates including the floor are free from bumps and obstructions that could prevent the Dishwasher from sliding into the cavity.

## CABINETY PREPARATION



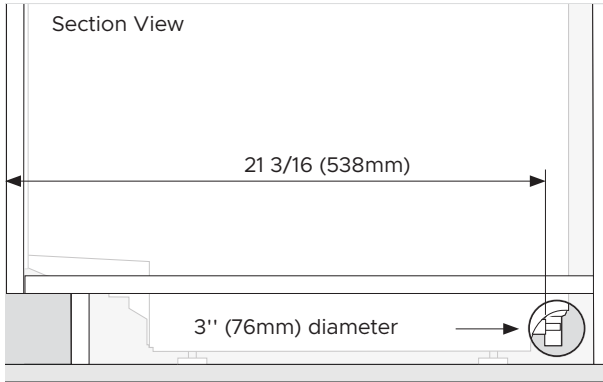
**4.** Cables and hoses can be routed from the dishwasher cavity, into the toe kick space. Then through to the adjacent cavity.



**5.** The power plug should be accessible after installation for maintenance.

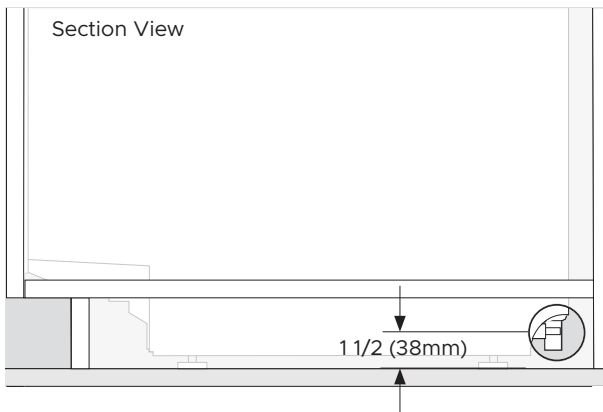
## PRIOR TO INSTALLATION - SERVICES

Refer to the Planning Guide at [fisherpaykel.com](http://fisherpaykel.com) for service options.

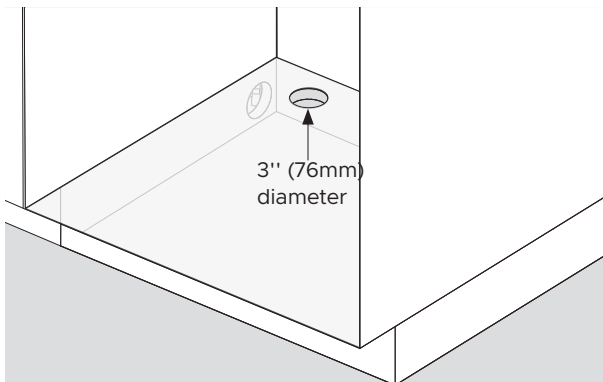


**1.** A minimum 3" (76mm) diameter service hole is required in the cabinet side.

The centre of the hole should be a minimum of 21 3/16" (538mm) from the front of the cabinet.



**2.** The centre of the hole should be a maximum of 1 1/2" (38mm) from the floor or the bottom of dishwasher feet.

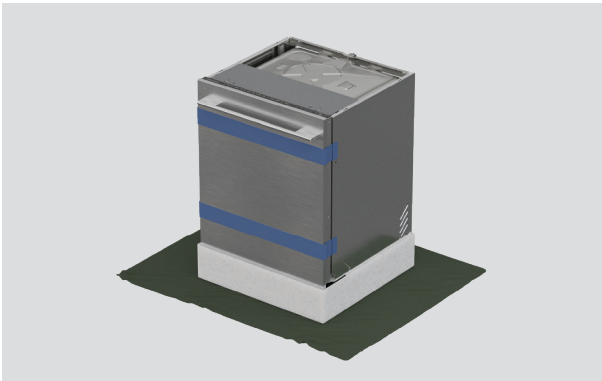


**3.** A 3" (76mm) diameter service hole is required in the adjacent cabinet shelf.

## UNPACK PRODUCTS



**1.** Remove the packaging and plastic wrap.

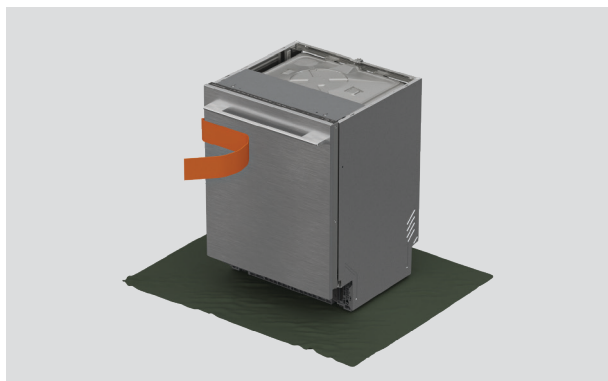


**2.** Protect flooring before removing the packing base.



**3.** To detach the base, use a trolley to lift the dishwasher from the rear, then pull the base off.

## UNPACK PRODUCTS



**4.** Remove exterior tape, accessories, and installation packages from inside the dishwasher.

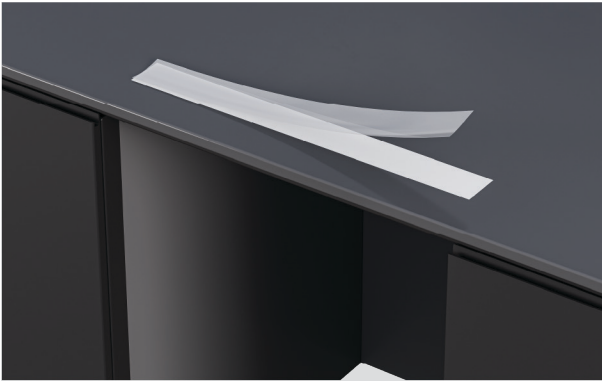


**5.** Dispose of packaging responsibly.

## APPLY SEALING TAPE



**1.** Ensure underside of countertop is clean and free of dust.



**2.** Remove backing from water proof adhesive tape.



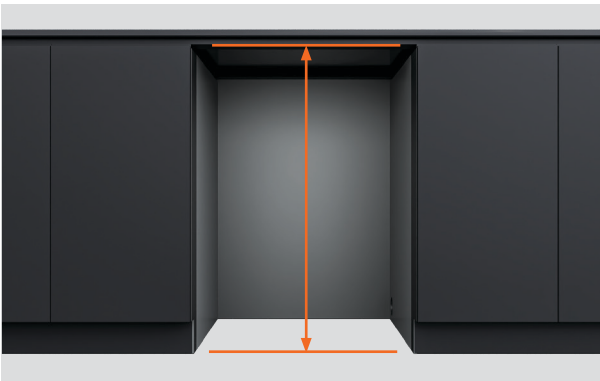
**3.** Apply tape to top edge of cabinet ensuring it is centred and set back 3/8 (10mm) from the front edge.

## ADJUST DISHWASHER HEIGHT

Take care not to bend the feet when tilting the dishwasher. Further adjustments will be made once the dishwasher is inside the cavity.



1. Measure the height of the dishwasher from the feet to the top of the chassis.

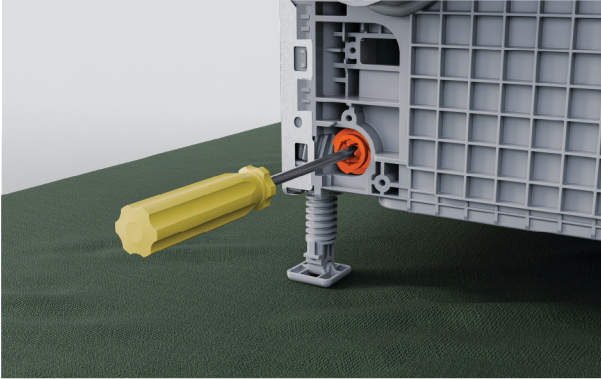


2. Measure the distance from the floor to the underside of the countertop or cavity frame.



3. Adjust the dishwasher height to  $1/8$ -  $3/16$  (3-5mm) below the cavity height.

## ADJUST DISHWASHER HEIGHT

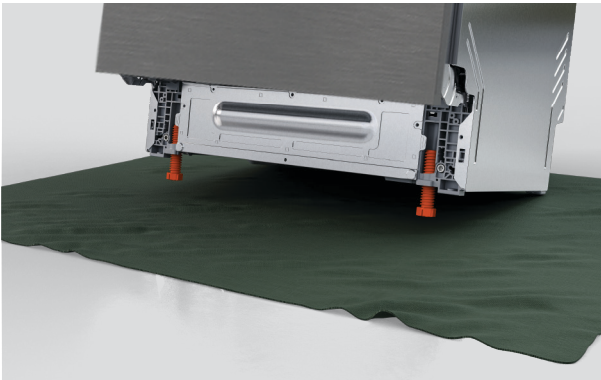


**4.** Remove tape from the dishwasher feet.

Raise the rear feet of the product by turning the feet screws with a 6mm Allen key.

**Left-side foot screw counter-clockwise.**

**Right-side foot screw clockwise.**

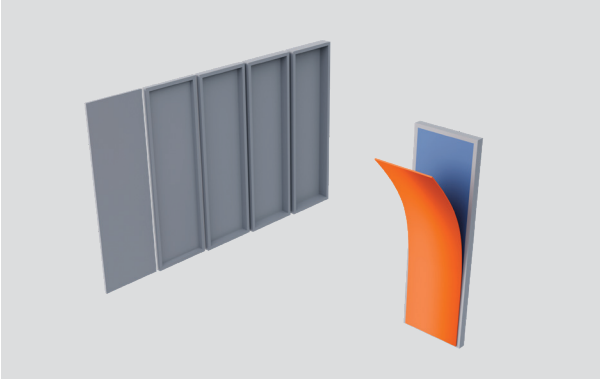


**5.** Raise the front feet by twisting the foot.

Check dishwasher is square and level.

Adjust feet if required.

## ATTACH SPACERS



**1.** Snap off the four spacers with adhesive strip.

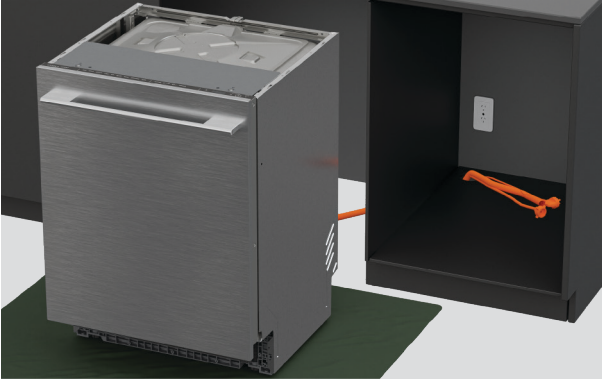


**2.** Place spacers on each side of the dishwasher just below the hole at the top side of the dishwasher.

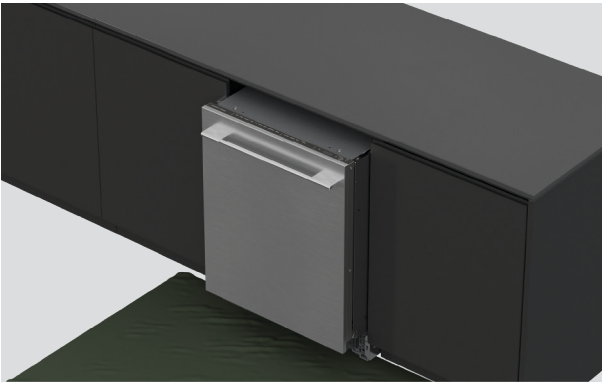


**3.** If required a larger spacer segment can be added to adjust the thickness.

## PLACE IN CAVITY



1. Place the hoses and cords through the service holes and into the adjacent cabinetry. Ensure that the electrical cord is pulled through first, followed by the hoses.

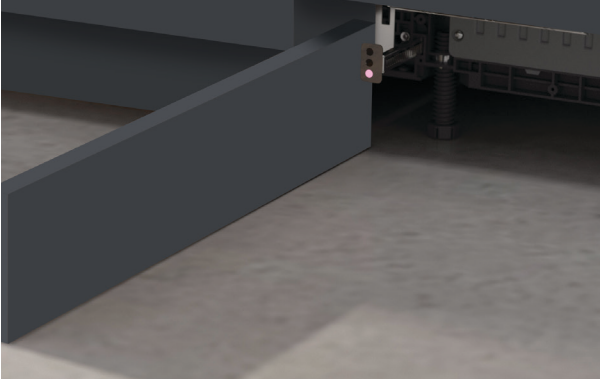


2. Carefully push the product into the cavity, feeding the hoses through the service holes as you go. Avoid crushing, twisting or kinking the hoses.

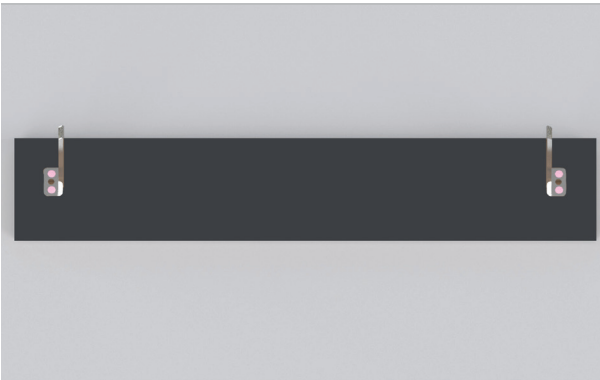


3. Check the product sits level and square within the cavity. If required, adjust feet.

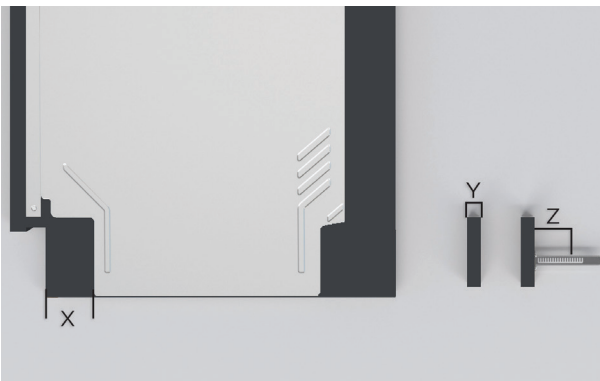
## INSTALL CUSTOM TOE KICK



1. Mark the pilot hole locations for each bracket. Measure the centre of the panel and mark 10 1/8 (257mm) to each side.  
To determine the height of the brackets, measure the height of the lowest bracket hole against the toe kick panel.



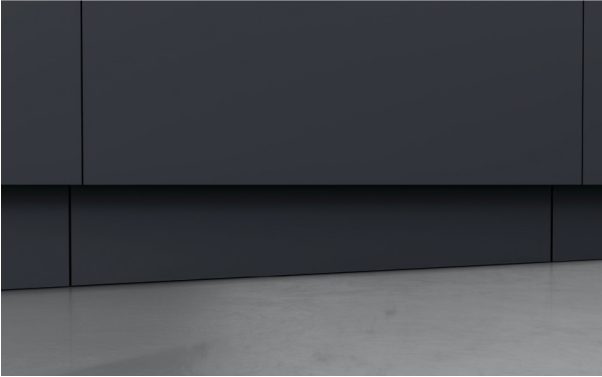
2. Ensure brackets are orientated correctly before fitting to the panel using 2x 4x13mm screws per bracket.



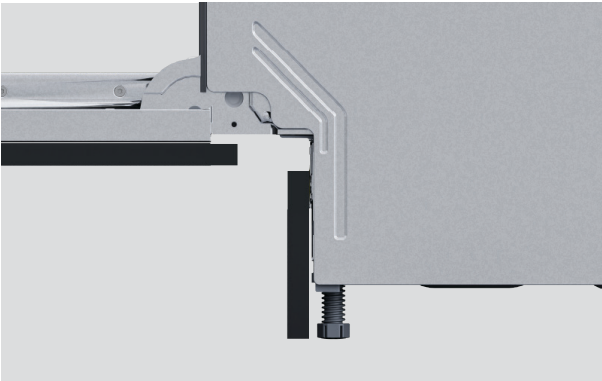
3. Measure the toe kick depth: Use **Z** to determine which tooth to bend back on each toe kick bracket.

$$X - Y = Z$$

## INSTALL CUSTOM TOE KICK



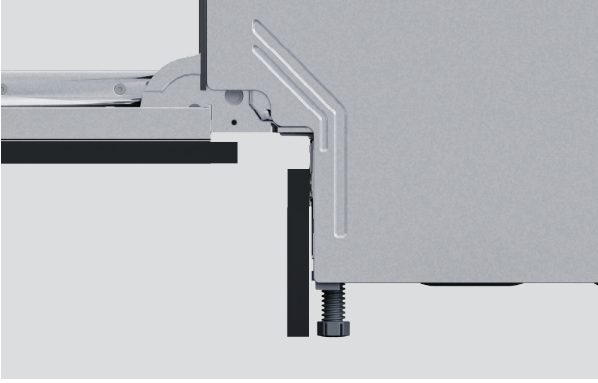
**4.** Align the brackets to the slots on the product and slide into place.



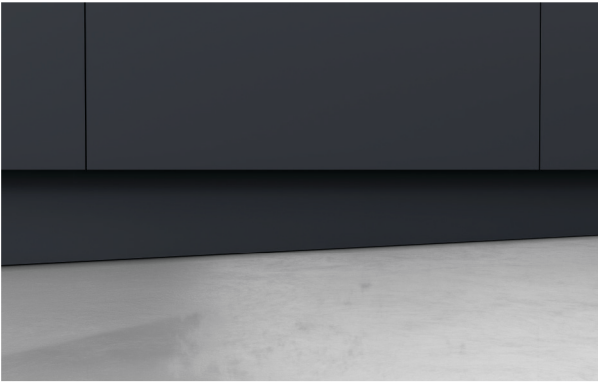
**5.** Ensure the kick strip allow door to open fully.

## INSTALL FULL LENGTH TOE KICK

**IMPORTANT!** The toe kick must be easily removable to allow access to the product for servicing.



1. Align toe kick to product and ensure all door swing clearances have been met.



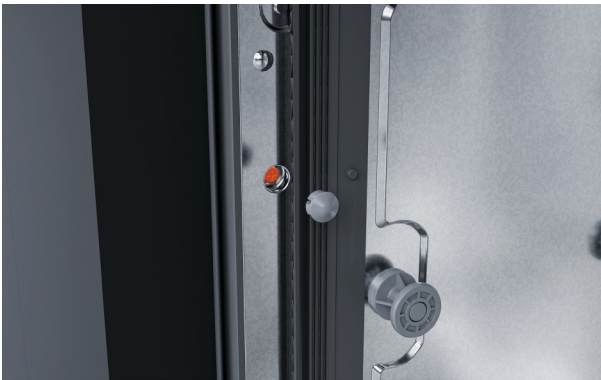
2. Fit panel to surrounding cabinetry.

## SECURE IN CAVITY



**1.** Remove upper dishwasher basket to allow access to screw covers on either side of the dishwasher.

Using a small flat bladed screw driver, carefully remove both screw covers.



**2.** Do a final door panel level check, then fasten product into adjacent cabinet using 4x4x25mm screws. Place screw covers back on.

## INSTALL DRAIN

Ensure the drain hose support is properly installed and the hose is correctly threaded through to prevent damage and drainage issues.

The dishwasher must not be drained into standing water.

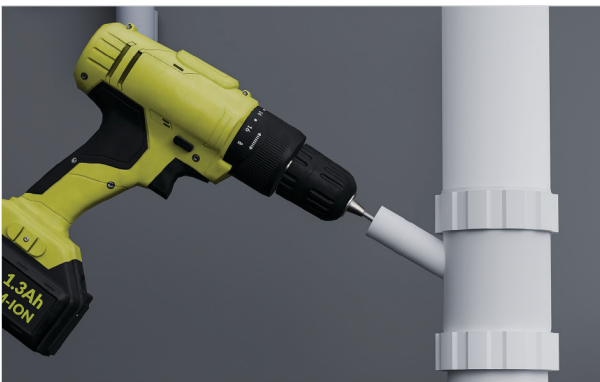
If the drain hoses supplied are not long enough to reach your services, a 141 3/4 (3.6m) drain hose extension kit is available at [fisherpaykel.com](http://fisherpaykel.com)

Appliances connected to water mains.

Max. inlet water pressure	1MPa
Min. inlet water pressure	0.03MPa



- 1.** Install the drain hose support using 1x 4x13mm screw as close to the countertop as possible, with a minimum distance of 29 13/16" (750mm) from the floor. Thread the hoses through the support.



- 2. For connection to waste tee:**

To avoid shavings entering the plumbing system, remove the waste tee before drilling.

Unplug or drill out the waste tee minimum 1/2" (13mm) in diameter before securing joiner.

## INSTALL DRAIN



**3.** Thread the hose clamp (not supplied) onto the hose.

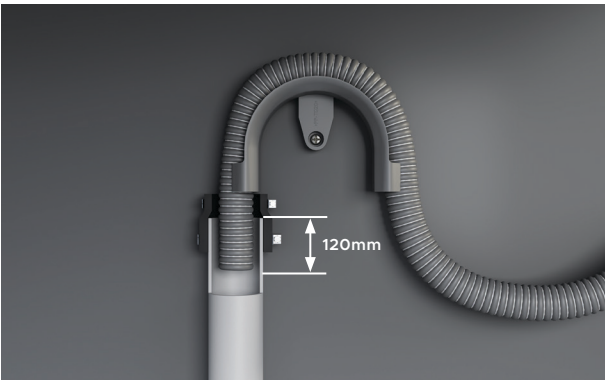
Fit the hose to the hose joiner and secure using the hose clamp.

Ensure hose is routed straight to the joiner to avoid kinks that can restrict drainage.



**4. For connection to standpipe:**

Pull the drain hose through the support guide and rest in standpipe.



**5.** Ensure the hose does not extend more than 4 3/4" (120mm) into the standpipe to prevent wastewater siphoning back into the tub.

Hose can be trimmed if necessary.

## CONNECT POWER

Electrical requirements: 230V, 50Hz, minimum 10A

The power plug should be accessible after installation for maintenance.



1. Connect power.



2. Check the water connections.  
Turn on the water supply and check for leaks.

## CONNECT WATER INLET

**IMPORTANT!** Do not turn water supply on before power has been connected. The dishwasher must be powered on for flood protection to be enabled. If power is to be disconnected, ensure water supply is turned off.

Isolation taps are required to allow the water supply to be shut off.



1. Check that the supplied rubber washer is inserted into the coupling.



2. Connect the inlet hose to the tap.

Ensure the inlet hose is not kinked and the tap is not pulled under pressure.

Do not shorten the inlet hose.



3. Hand-tighten into place. Using a spanner or pliers, turn a further 180° to secure. Avoid over-tightening.

# INSTALLER CHECKLIST

## TO BE COMPLETED BY THE INSTALLER

### Installation

- If power is disconnected, ensure water supply is turned off to prevent flooding.
- Check all parts are installed correctly and are secure.
- Ensure all clearance gaps have been maintained.
- Ensure dishwasher is secure and door opens and closes freely with no resistance.
- Ensure any packaging or tape securing the racks and spray arm is removed.
- Check the spray arms are in place, mounted correctly and rotate freely.

### Plumbing

- Ensure any knock-outs or plugs in drain connection have been drilled out and drain connection has been made.
- The drain hose joiner must not support the weight of excess hose material. Keep drain hose as fully extended as possible to prevent sagging. Any excess length of drain hose should be kept on the dishwasher side of the drain hose support.
- Ensure inlet hose has supplied rubber washer fitted, and that it is tightened.
- If connecting the drain hose to the sink trap, ensure the high loop is a minimum 5 15/16" (150mm) higher than the drain hose joiner or as close as possible to the underside of the countertop.
- Water softener models: adjust the water softener setting from the default setting to suit the water hardness of the area. Refer to your user guide.
- Ensure water supply is turned off until power is connected and turned on. The Dishwasher must be powered on for the flood protection feature to be enabled.

### Electrical

- Ensure all electrical tests have been conducted in accordance with local regulations.

# INSTALLER CHECKLIST

## Test operation

- Turn on the power and water supplies, then open the door. You should hear a beep and see a program indicator light up on the control panel.
- Add three cups of water into the dishwasher.
- Navigate to RINSE and start the program.
- After the rinse cycle has finished, ensure the dishwasher has run and drained correctly.
- Check drainage connections for leaks.
- If site is left without power after installation is complete, ensure water supply is turned off to prevent flooding.**

