

INDUCTION COOKTOP

PLANNING GUIDE

**36" SERIES 9 4 ZONE INDUCTION COOKTOP WITH INTEGRATED
VENTILATION | CID364DTB4**

FISHER & PAYKEL

INTRODUCTION

This comprehensive planning guide provides you with the framework and tools to achieve your desired design outcome with Fisher & Paykel appliances. In this guide, you will find a range of conceptual, detailed, and dimensional product information to bring your ideas to life and create spaces that truly reflect your vision.

SUPPORT

For additional design planning and installation support please contact the Fisher & Paykel design support team.
designsupport@fisherpaykel.com

NOTES

The models shown in this Planning Guide may not be available in all markets and are subject to change at any time. Refer to our website fisherpaykel.com for the latest document version. Product specifications may vary from those shown. This Planning Guide should not be used as installation guidance for any product. Specific installation guidance will be available with the product on delivery and on our website.

CONTENTS

CONCEPT DESIGN	PAGE	DEVELOPED AND DETAILED DESIGN	PAGE	DEVELOPED AND DETAILED DESIGN	PAGE
SPECIFICATION GUIDE		DATA SHEETS		DESIGN CHOICES	
Induction Cooktop with Integrated Ventilation	4	Cooktop Dimensions	7	Venting Decisions	14
		Clearance Dimensions	8	Venting Options	15
		Recirculation Kit	9	Countertop Cutout	16
		Recirculation Kit	10	Overflow Trap	17

SPECIFICATION GUIDE

OVERVIEW

This two-in-one cooktop combines precision induction cooking with powerful integrated ventilation. With no need for an overhead hood, it supports seamless integration into island or open-plan kitchens. Featuring SmartZone pairing, nine fan speeds with boost, and a sleek black glass surface, it delivers both high performance and seamless style.

**FEATURES**

- ① Seamlessly integrated ventilation—ideal for islands or kitchens with high or angled ceilings
- ② Flush or raised installation options with a sleek black glass surface
- ③ Nine fan speeds plus boost remove steam, smoke, and cooking vapors effectively
- ④ Four cooking zones with bridging to create a larger SmartZone
- ⑤ Induction delivers instant heat response and precise control across all temperature levels
- ⑥ Single glass surface and grease filter tray are easy to clean and maintain
- ⑦ Flush ventilation grille allows pots to glide smoothly across the cooktop surface
- ⑧ Compatible with standard 10" x 3.25" ducting systems for straightforward installation
- ⑨ Surface stays cool unless cookware is detected—safer for handling and cleaning
- ⑩ Touch&Slide controls respond instantly for accurate, intuitive temperature adjustments

PRODUCT**CID364DTB4**

36" Series 9 4 Zone Induction Cooktop with Integrated Ventilation

SUPPLIED PARTS

Sheet Metal Adapter 10" x 3.25"

ACCESSORIES**KRECIRCDDFT**

Recirculation Kit

AD325X12X10*

Straight Adaptor 3.25" x 12" To 3.25" x 10"

FILTCARDDFT

Replacement Carbon Filter for KRECIRCDDFT

*For use with Recirculation Kit

The models shown in this Planning Guide may not be available in all markets and are subject to change at any time. Product specifications may vary from those shown. This Planning Guide should not be used as installation guidance for any product. Further information is required to safely and correctly install the products featured here. Specific installation guidance will be available with the product on delivery and on our website fisherpaykel.com

SPECIFICATIONS

Model Number

CID364DTB4 36" Series 9 4 Zone Induction Cooktop with Integrated Ventilation

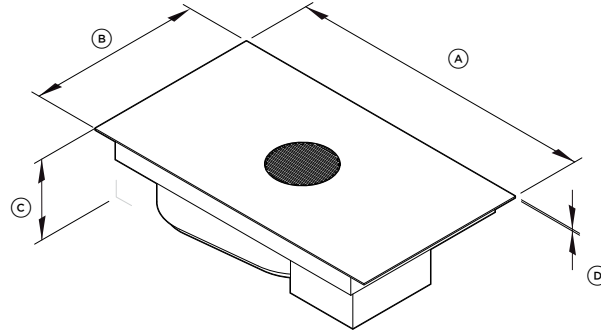
Electrical

Supply 120-240 V, 60 Hz - 3 wire
120-208 V, 60 Hz - 4 wire

Service 32 A - 3 Wire
34 A - 4 Wire

Connection UL cable

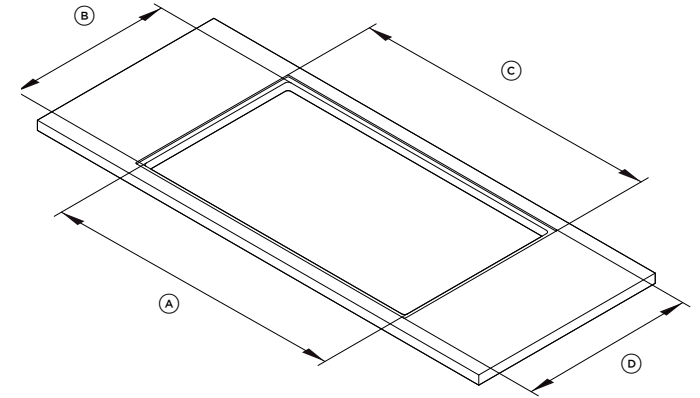
PRODUCT DIMENSIONS



ISOMETRIC VIEW

Product Dimensions		inch	mm
A	Overall width of cooktop	36	915
B	Overall depth of cooktop	20 1/4	515
C	Overall height of cooktop	8 9/16	218
D	Height of glass including flange	1/4	6

CUTOUT DIMENSIONS

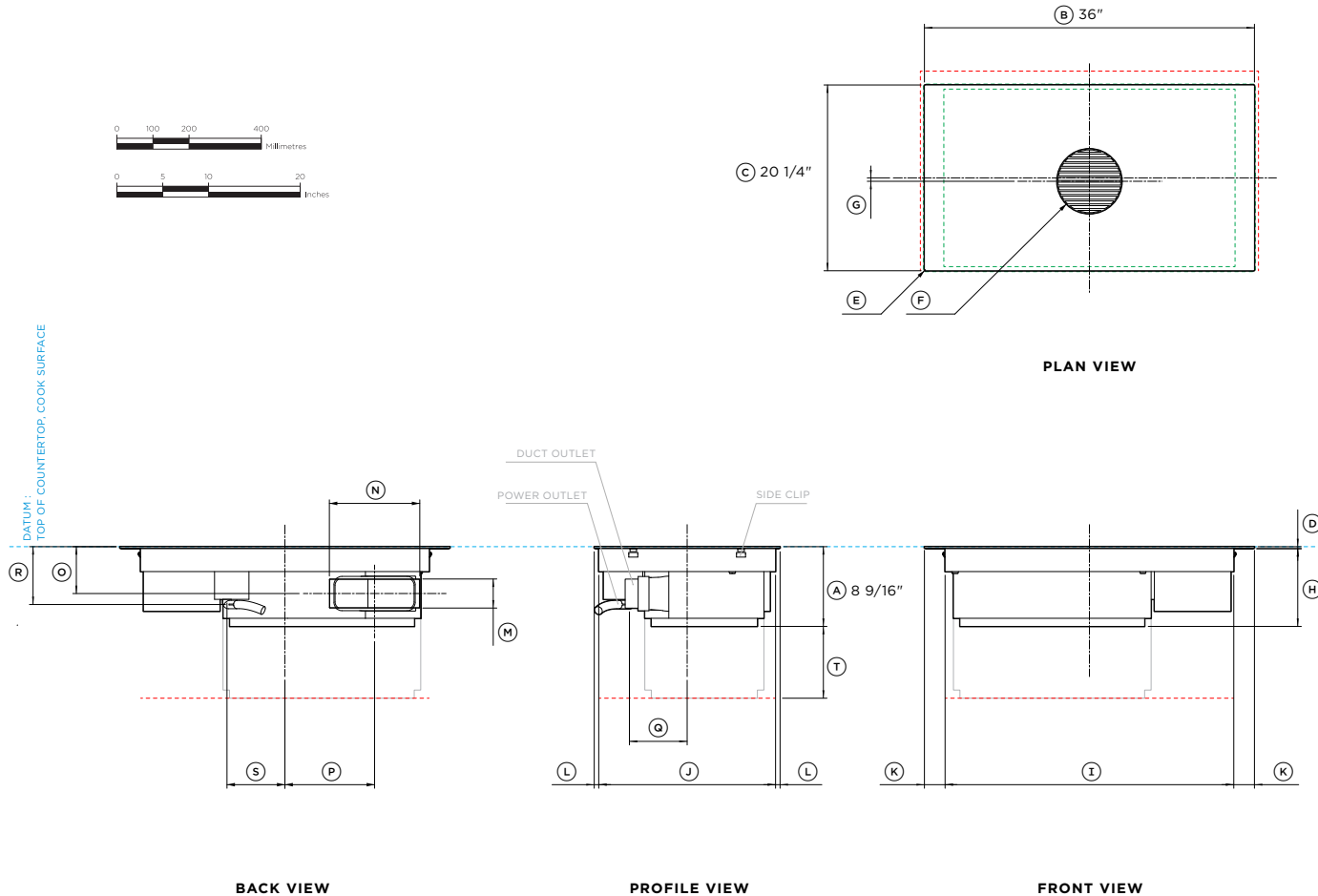


ISOMETRIC VIEW

Cutout Dimensions		inch	mm
A	Cutout width	31 3/4	807
B	Cutout depth	19 3/8	492
C	Recess width	36 7/32	920
D	Recess depth	20 1/2	520
E	Recess height (not shown)	1/4	6

The models shown in this Planning Guide may not be available in all markets and are subject to change at any time. Product specifications may vary from those shown. This Planning Guide should not be used as installation guidance for any product. Further information is required to safely and correctly install the products featured here. Specific installation guidance will be available with the product on delivery and on our website fisherpaykel.com

DATA SHEETS



----- INDICATES CABINERY / PRODUCT DATUM
 - - - - - INDICATES CABINERY CLEARANCES
 - · - · - · INDICATES CUTOUT

IMPORTANT NOTE: Throughout this guide, dimensions may vary by ±2mm (1/16"). Please read the installation manual for detailed information on installing the product. For full installation instructions & specifications visit fisherpaykel.com

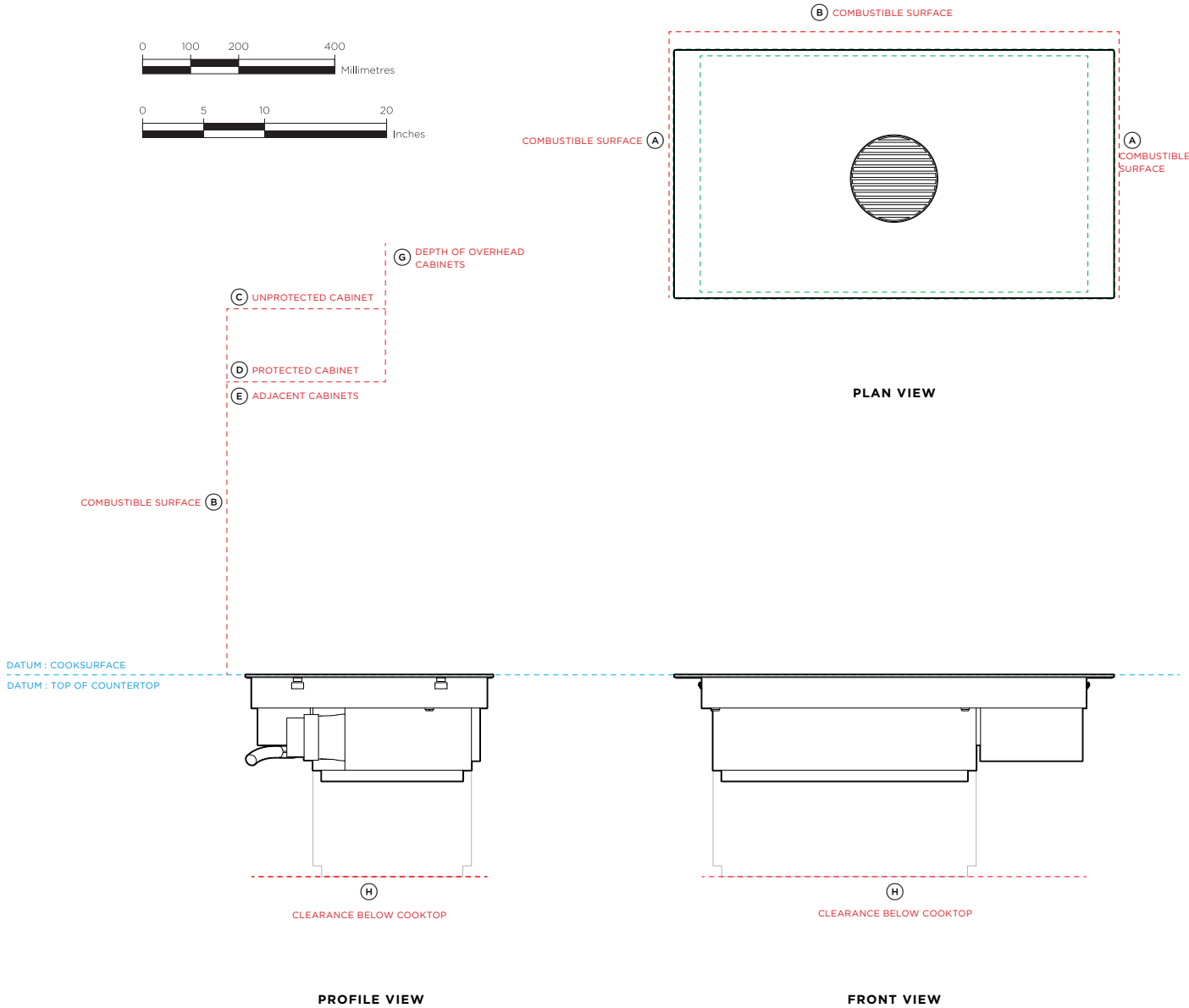
Model no:
CID364DTB4 36" Series 9 4 Zone Induction Cooktop with Integrated Ventilation

Shown with:
 supplied 10" x 3.25" sheet metal adapter

Product Dimensions	inch	mm
(A) Overall height of cooktop	8 9/16	218
(B) Overall width of cooktop	36	915
(C) Overall depth of cooktop	20 1/4	515
(D) Height of cooktop glass (includes chassis flange)	1/4	5.5
(E) Corner radii of glass	1/16	2
(F) Diameter of extractor cover	7 1/16	179
(G) Offset of extractor forward from centre of cooktop	3/8	10
(H) Height of chassis	8 3/8	213
(I) Width of chassis	31 1/2	799
(J) Depth of chassis	19 1/4	488
(K) Width of glass overhang at side of chassis	2 1/4	58
(L) Depth of glass overhang at front and rear of chassis	1/2	13
(M) Height of duct outlet	3 1/4	82
(N) Width of duct outlet	10	254
(O) Height from top of cooktop to centre of duct outlet	5 1/8	130
(P) Width from centre of cooktop to centre of duct outlet	9 13/16	249
(Q) Depth from centre of cooktop to duct outlet	6 5/16	160
(R) Height from top of cooktop to power outlet	6 5/16	160
(S) Width from centre of cooktop to power outlet	6 5/16	161
(T) Height clearance to allow removal of overflow trap	8	202

Cutout Dimensions for Proud and Flush Installations	inch	mm
Overall width of cutout	31 13/16	807
Overall depth of cutout	19 3/8	492
Maximum corner radii	7/16	10

Recess Dimensions for Flush Installation	inch	mm
Overall width of recess	36 7/32	920
Overall depth of recess	20 15/32	520
Overall height of recess (shims may be required for installation)	1/4	6
Corner radii of recess	3/16	4.5



Model no:
CID364DTB4 36" Series 9 4 Zone Induction Cooktop with Integrated Ventilation

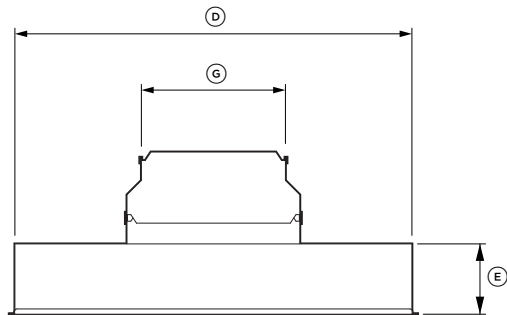
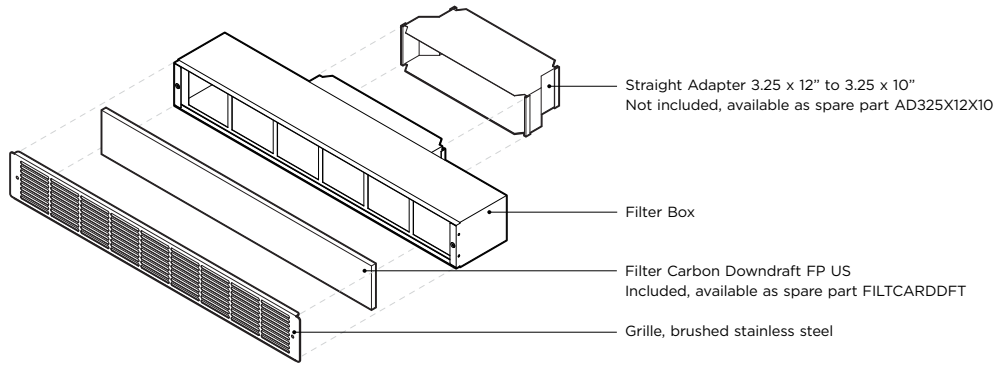
Shown with:
 supplied 10" x 3.25" sheet metal adapter

Product Clearances		inch	mm
(A)	Minimum clearance from side edges of cutout to nearest combustible surface	2 9/16	65
(B)	Minimum clearance from rear edge of cutout to nearest combustible surface	2	50
(C)	Minimum clearance from top of cook surface to unprotected cabinet centered above cooktop	30	762
(D)	Minimum clearance from top of cook surface to protected cabinet centered above cooktop	24	610
(E)	Minimum clearance from top of cook surface to cabinets not directly over cooktop	24	610
(F)	Minimum distance between cabinets not directly over cooktop	36	914
(G)	Maximum depth of overhead cabinetry	13	330
(H)	Minimum clearance below cook surface to top of any appliance or obstruction below cooktop (required for cleaning access)	16 9/16	421

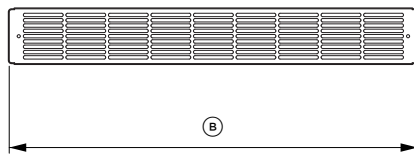
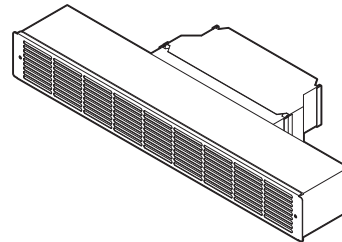
Ventilation Requirements		inch	mm
Minimum ventilation gap at front of cooktop		6 3/16in ²	807
Minimum ventilation gap at rear of cooktop		6 3/16in ²	492

----- INDICATES CABINETRY / PRODUCT DATUM
 - - - - - INDICATES CABINETRY CLEARANCES
 - - - - - INDICATES CUTOUT

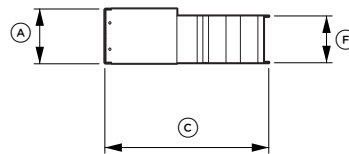
IMPORTANT NOTE: Throughout this guide, dimensions may vary by ±2mm (1/16"). Please read the installation manual for detailed information on installing the product. For full installation instructions & specifications visit fisherpaykel.com



PLAN VIEW



FRONT VIEW



PROFILE VIEW

Model no:

KRECIRCDDFT Kit Recirculation Downdraft FP US

Shown with:

AD325X12X10 Adapter 3.25 x 12" to 3.25 x 10"

Product Dimensions

	inch	mm
(A) Overall height of recirculation kit	3 13/16	96
(B) Overall width of recirculation kit	28 3/8	720
(C) Overall depth of recirculation kit	11 3/8	289
(D) Width of filter box chassis	27 5/8	702
(E) Depth of filter box chassis*	5	126
(F) Height of outlet	3 1/4	83
(G) Width of outlet	10	254

* Does not include grille

Cutout Dimensions

	inch	mm
Recommended width of cutout	27 3/4	705
Minimum width of cutout	3 7/8	99

----- INDICATES CABINETRY / PRODUCT DATUM

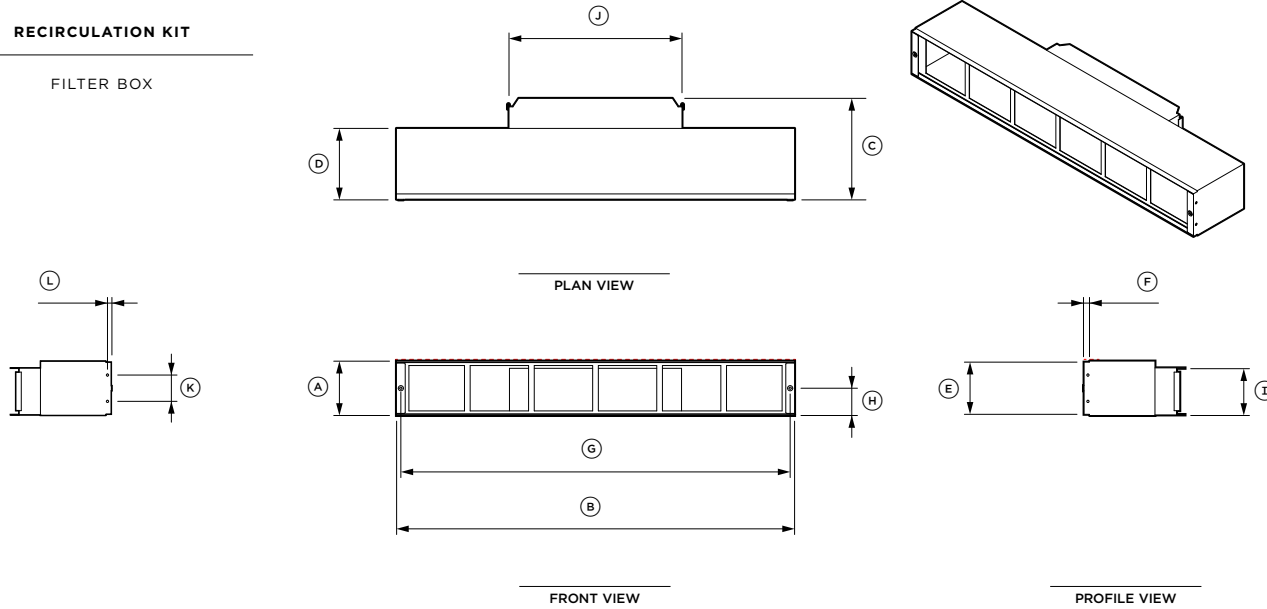
----- INDICATES CABINETRY CLEARANCES

----- INDICATES CUTOUT

IMPORTANT NOTE: Throughout this guide, dimensions may vary by ±2mm (1/16"). Please read the installation manual for detailed information on installing the product. For full installation instructions & specifications visit fisherpaykel.com

RECIRCULATION KIT

FILTER BOX



Component:

Filter Box, Recirculation Kit

Product Dimensions

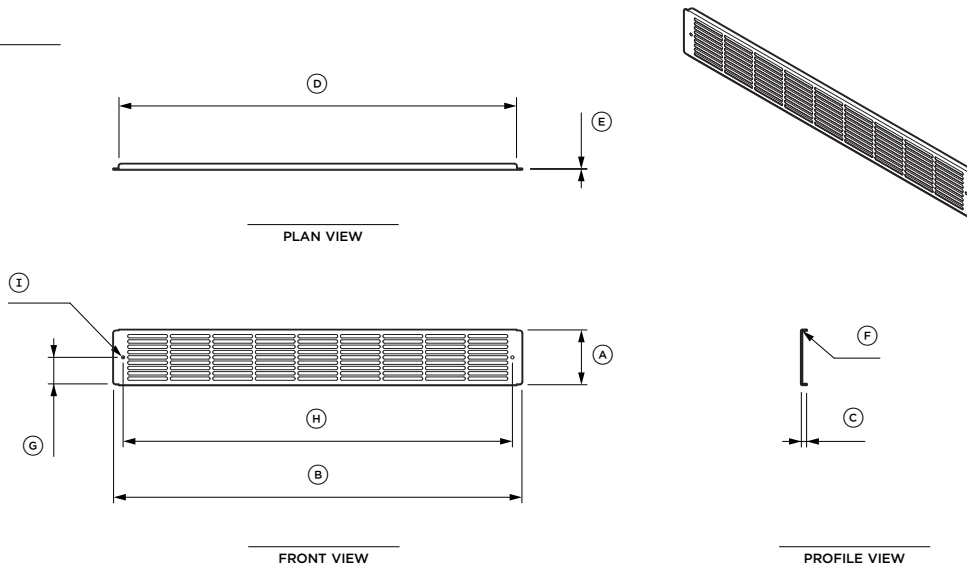
	in	mm
(A) Overall height of filter box	3 13/16	96
(B) Overall width of filter box	27 5/8	702
(C) Overall depth of filter box	7 1/16	179
(D) Depth of filter box chassis (includes nutsert)	5	126
(E) Height of chassis step down for grille	3 5/8	92
(F) Depth of chassis step down for grille	7/16	11
(G) Width between grille fastening holes	27 1/32	686.5
(H) Height of grille fastening holes from base of chassis	1 7/8	48
(I) Height of outlet	3 1/4	83
(J) Width of outlet	12	305
(K) Height between centre of holes (central to chassis)	1 13/16	46
(L) Centre of holes to front of chassis (includes nutsert)	1/4	5/16

Cutout Dimensions

	in	mm
Recommended width of cutout	27 3/4	705
Minimum width of cutout	3 7/8	99

RECIRCULATION KIT

GRILLE



Component:

Grille, Recirculation Kit

Product Dimensions

	in	mm
(A) Overall height of grille	3 13/16	96
(B) Overall width of grille	28 3/8	720
(C) Overall depth of grille	3/8	10
(D) Width of flange	27 5/8	701
(E) Thickness of sheet metal	1/16	1
(F) Internal radius of bend	1/32	0.5
(G) Height from base of grille to centre of holes	1 7/8	47.5
(H) Width between centre of holes	27 1/32	686.5
(I) Diameter of holes	7/32	5.5

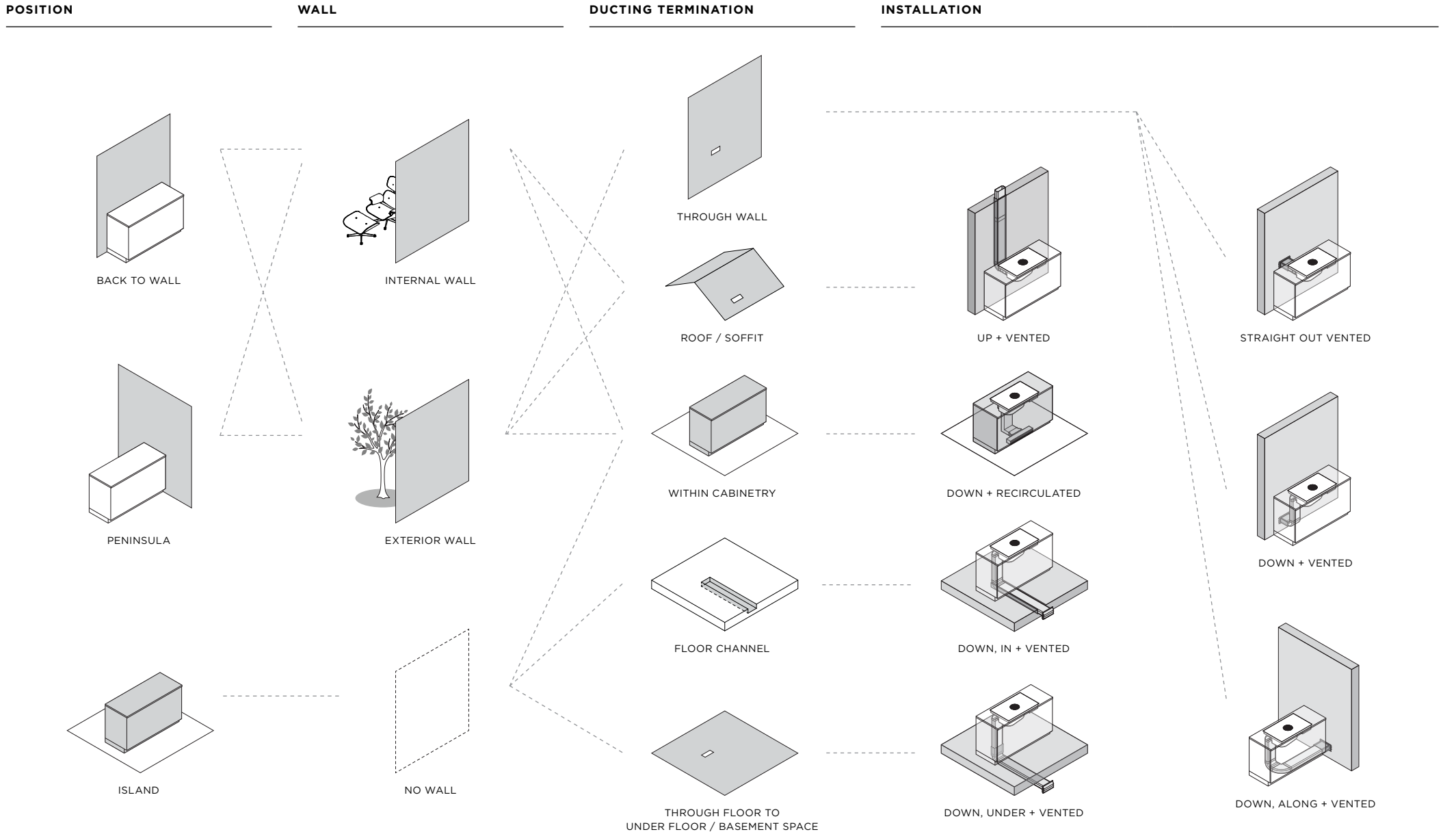
----- INDICATES CABINETRY / PRODUCT DATUM

----- INDICATES CABINETRY CLEARANCES

----- INDICATES CUTOUT

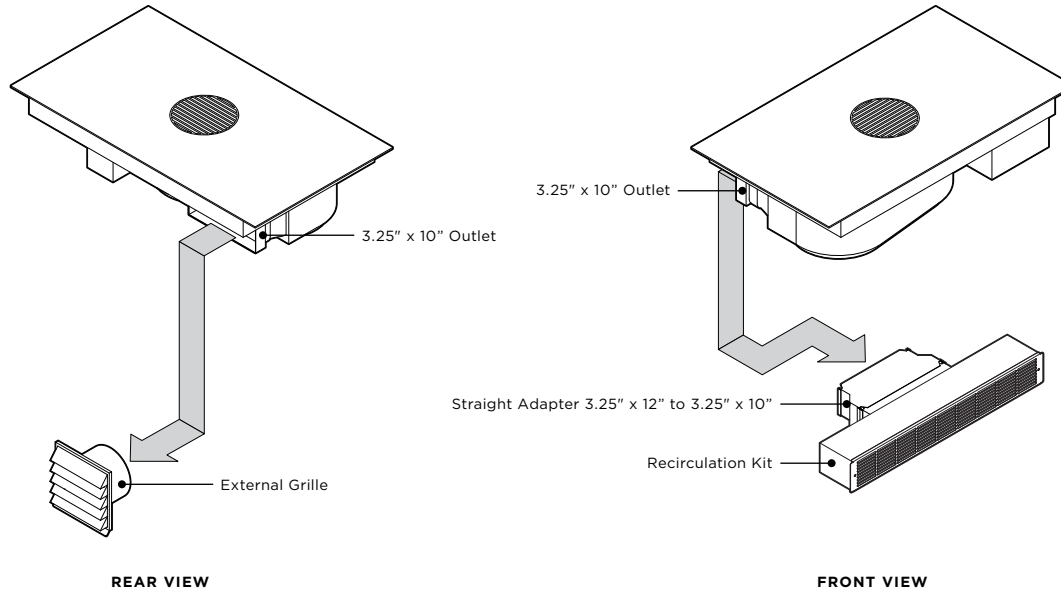
IMPORTANT NOTE: Throughout this guide, dimensions may vary by ±2mm (1/16"). Please read the installation manual for detailed information on installing the product. For full installation instructions & specifications visit fisherpaykel.com

DESIGN CHOICES



EXAMPLE DUCT ROUTES

Representational airflow from cooktop to external vent or recirculation kit is indicative only, duct route should be adapted to suit specific cabinetry requirements and venting location.



VENT OUT

Extracted air is vented outside of the building. External Grille is required to have butterfly valve (not included).

RECIRCULATED

Extracted air is passed through a filter before being reintroduced to living spaces.

Required Accessory
KRECIRCDDFT - Recirculation Kit

Optional Adapter
AD325X12X10 - Straight Adapter 3.25 x 12\"/>

VENTING OPTIONS

The cooktop can be vented externally or internally through the recirculation kit.

DUCTING CONSIDERATIONS

- Model is not supplied with ducting.
- Use only metal duct work to reduce the risk of fire. Do not use flexible ducting.
- Cooktop is supplied with a 3.25\"/>

*Ducting length of 19ft (6m) with x4 bends does not noticeably reduce extraction performance

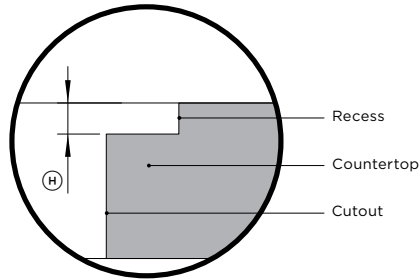
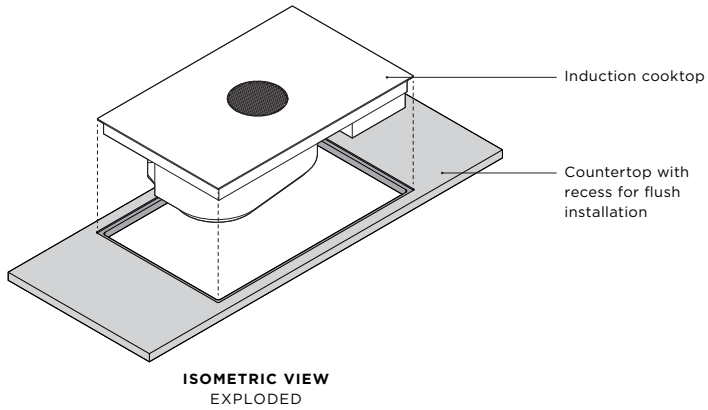
RECIRCULATED CONSIDERATIONS

Recirculation outlet is at a persons foot height so consider placing away from high use workspaces. Recirculation filter requires regular cleaning and replacement, allow for easy access to grille.

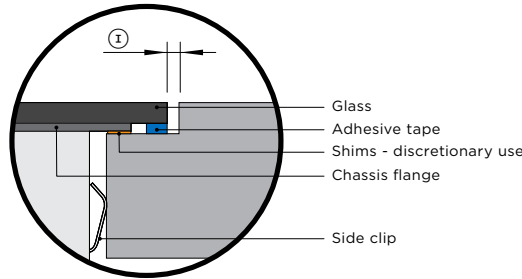
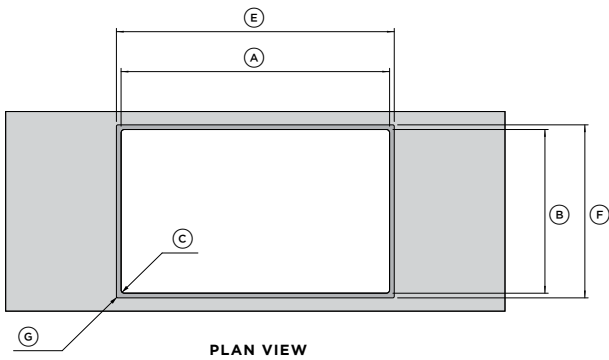
CABINETRY CONSIDERATIONS

To accommodate ducting cabinetry may need to be adapted with features such as cutouts, false panels, shelf and drawer modifications.

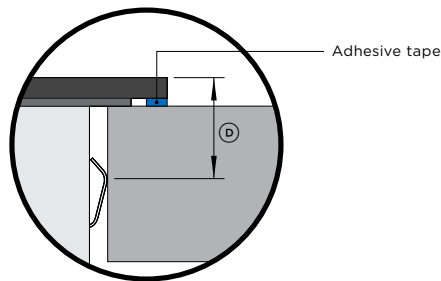
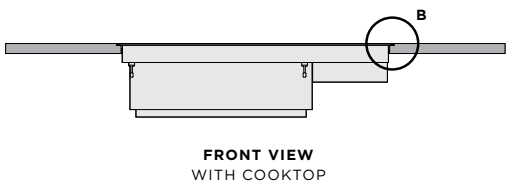
The models shown in this Planning Guide may not be available in all markets and are subject to change at any time. Product specifications may vary from those shown. This Planning Guide should not be used as installation guidance for any product. Further information is required to safely and correctly install the products featured here. Specific installation guidance will be available with the product on delivery and on our website fisherpaykel.com



DETAIL A
FRONT VIEW - CROSS SECTION
Bench top without cooktop,
recess for flush installation



DETAIL B
FRONT VIEW
Bench top with cooktop,
flush installation



DETAIL - SUPPLEMENTARY
FRONT VIEW
Bench top with cooktop,
proud installation

COUNTERTOP INSTALLATION OPTIONS

The cooktop can be installed flush or proud in the countertop. Both installation scenarios require a cutout to accommodate the cooktop chassis. To achieve a flush finish between glass and countertop a recess is required.

Cutout Dimensions	inch	mm
(A) Overall width of cutout	31 13/16	807
(B) Overall depth of cutout	19 3/8	492
(C) Maximum corner radii	7/16	10
(D) Distance from top of glass to clip interface	13/16	21

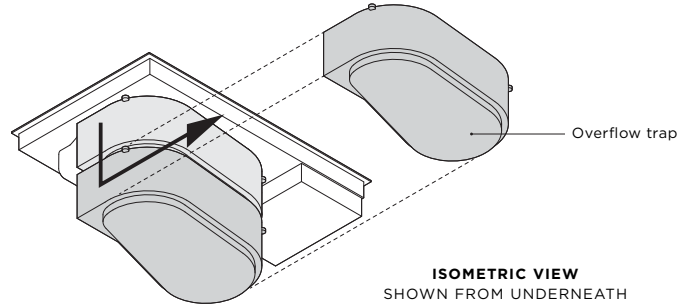
Recess Dimensions for Flush Installation	inch	mm
(E) Overall width of recess	36 7/32	920
(F) Overall depth of recess	20 15/32	520
(G) Corner radii of recess	3/16	4.5
(H) Overall height of recess (shims may be required for installation)	1/4	6
(I) Distance between edge of recess and edge of glass	3/32	2.5

----- INDICATES CABINETRY / PRODUCT DATUM
 - - - - - INDICATES CABINETRY CLEARANCES
 - · - · - INDICATES CUTOUT

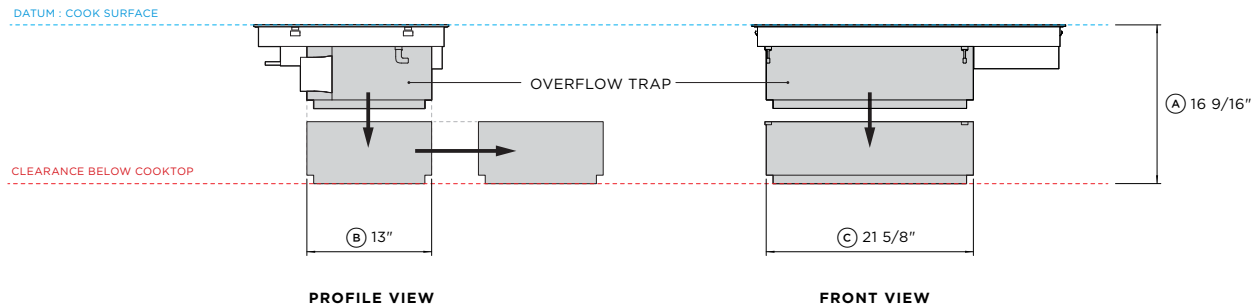
IMPORTANT NOTE: Throughout this guide, dimensions may vary by ±2mm (1/16"). Please read the installation manual for detailed information on installing the product. For full installation instructions & specifications visit fisherpaykel.com

OVERFLOW TRAP REMOVAL

The overflow trap is located below the cooktop chassis. To allow cleaning, the overflow trap is required to be disconnected and removed.



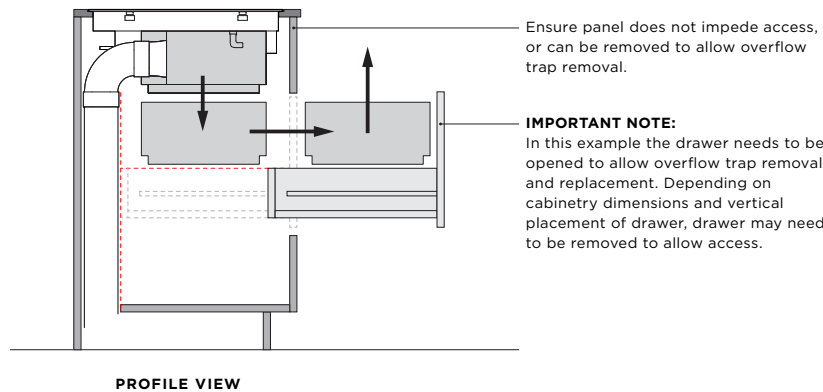
MOTION OF OVERFLOW TRAP REMOVAL



CABINETY EXAMPLE

Cabinetry needs to provide sufficient space to allow ease of access, removal and replacement of the overflow trap.

Cabinetry depicted is to provide a simplified example only and will need to be adapted to suit design requirements, specific location, cabinetry materials and construction methods.



OVERFLOW TRAP OVERVIEW

The overflow trap is located below the cooktop chassis. To allow cleaning, the overflow trap is required to be disconnected and removed from cabinetry. Cabinetry needs to provide sufficient clearance space to allow ease of access, removal and replacement of the overflow trap.

Cabinetry shown on this page is to provide a guideline only and will need to be adapted to suit design requirements, specific location, cabinetry materials and construction methods.

Overflow Trap Specifications	inch	mm
(A) Minimum clearance below cook surface to top of any appliance or obstruction below cooktop to allow removal of overflow trap for cleaning	16 9/16	421
(B) Depth of overflow trap	13	330
(C) Width of overflow trap	21 5/8	550

----- INDICATES CABINETY / PRODUCT DATUM
 - - - - - INDICATES CABINETY CLEARANCES
 - · - · - INDICATES CUTOUT

IMPORTANT NOTE: Throughout this guide, dimensions may vary by ±2mm (1/16"). Please read the installation manual for detailed information on installing the product. For full installation instructions & specifications visit fisherpaykel.com

