
WARMING DRAWER INSTALLATION CONSIDERATIONS

Accessing your product specifications	3
Electrical connection	9

FISHER & PAYKEL

NZ AU UK IE SG EU

MINIMAL

WB60SMG3, WB60SMTG3, WB60SMB3, WB60SMTB3

CONTEMPORARY

WB60SCX3, WB60CTX3

INTEGRATED

WB60SDEI3, WB60DTEI3

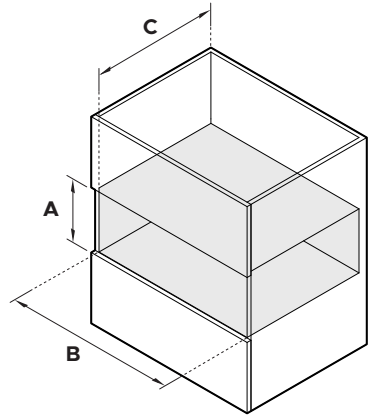
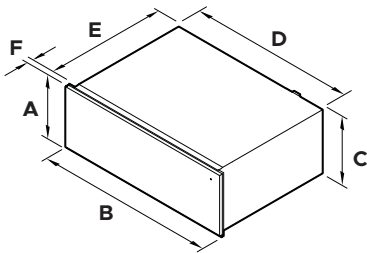
ACCESSING YOUR PRODUCT SPECIFICATIONS



For full product, cabinetry and service specifications, refer to the Planning Guide. To access the Planning Guide, scan the QR code or visit fisherpaykel.com/specify. Search by appliance type, product name or model code.

MINIMAL (STANDARD)

WB60SMG3, WB60SMTG3, WB60SMB3



PRODUCT DIMENSIONS	mm
A Overall height	140
B Overall width	596
C Chassis height	140
D Chassis width	543
E Chassis depth	547
F Control panel thickness	20

CAVITY DIMENSIONS	mm
A Minimum inside height of cavity	142
B Minimum inside width of cavity	560
C Minimum inside depth of cavity*	550
Recommended cabinet height	144
Recommended cabinet width	600

*Measured from front of chassis.

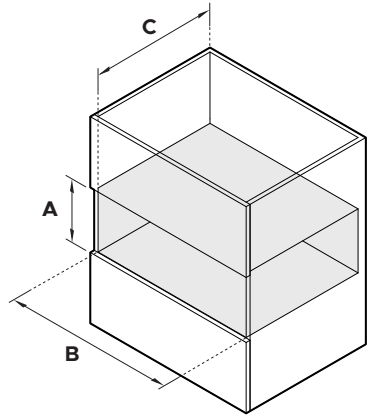
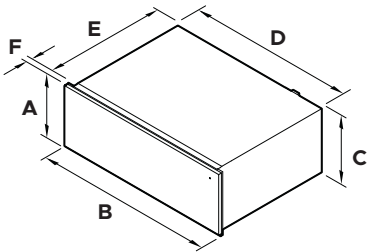
ACCESSING YOUR PRODUCT SPECIFICATIONS



For full product, cabinetry and service specifications, refer to the Planning Guide. To access the Planning Guide, scan the QR code or visit fisherpaykel.com/specify. Search by appliance type, product name or model code.

MINIMAL (TALL)

WB60SMTB3



PRODUCT DIMENSIONS		mm
A	Overall height	290
B	Overall width	596
C	Chassis height	290
D	Chassis width	543
E	Chassis depth	547
F	Control panel thickness	20

CAVITY DIMENSIONS		mm
A	Minimum inside height of cavity	292
B	Minimum inside width of cavity	560
C	Minimum inside depth of cavity*	550
	Recommended cabinet height	294
	Recommended cabinet width	600

*Measured from front of chassis.

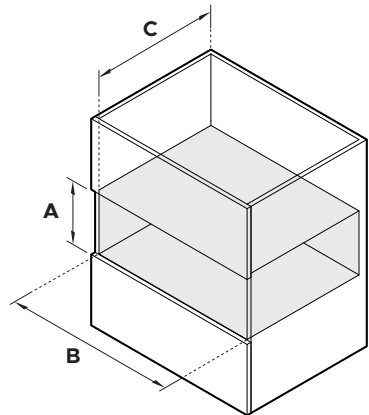
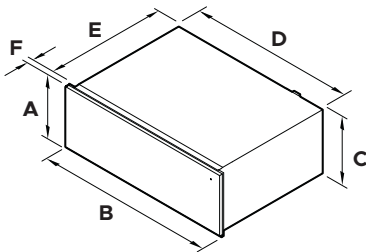
ACCESSING YOUR PRODUCT SPECIFICATIONS



For full product, cabinetry and service specifications, refer to the Planning Guide. To access the Planning Guide, scan the QR code or visit fisherpaykel.com/specify. Search by appliance type, product name or model code.

CONTEMPORARY (STANDARD)

WB60SCX3, WB60SCTX3



PRODUCT DIMENSIONS	mm
A Overall height	140
B Overall width	596
C Chassis height	140
D Chassis width	543
E Chassis depth	547
F Control panel thickness	20

CAVITY DIMENSIONS	mm
A Minimum inside height of cavity	142
B Minimum inside width of cavity	560
C Minimum inside depth of cavity*	550
Recommended cabinet height	144
Recommended cabinet width	600

*Measured from front of chassis.

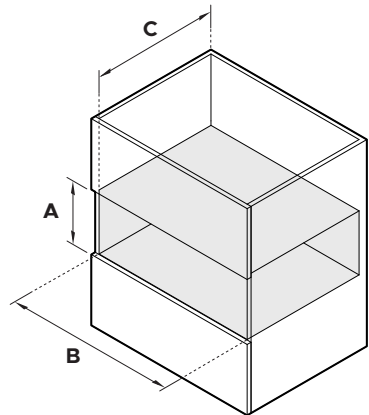
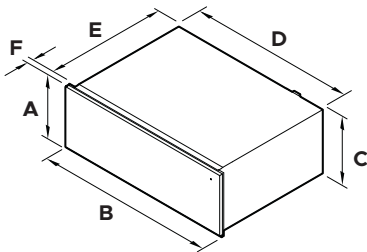
ACCESSING YOUR PRODUCT SPECIFICATIONS



For full product, cabinetry and service specifications, refer to the Planning Guide. To access the Planning Guide, scan the QR code or visit fisherpaykel.com/specify. Search by appliance type, product name or model code.

CONTEMPORARY (TALL)

WB60SCTX3



PRODUCT DIMENSIONS	mm
A Overall height	290
B Overall width	596
C Chassis height	290
D Chassis width	543
E Chassis depth	547
F Control panel thickness	20

CAVITY DIMENSIONS	mm
A Minimum inside height of cavity	292
B Minimum inside width of cavity	560
C Minimum inside depth of cavity*	550
Recommended cabinet height	294
Recommended cabinet width	600

*Measured from front of chassis.

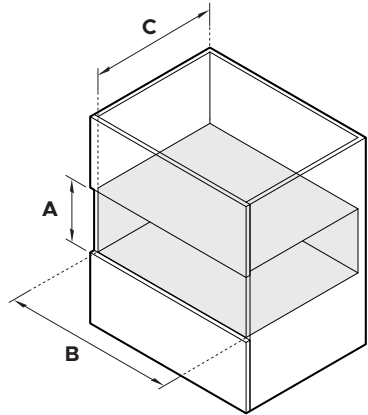
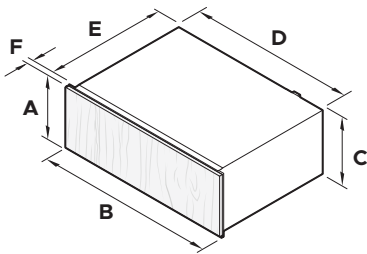
ACCESSING YOUR PRODUCT SPECIFICATIONS



For full product, cabinetry and service specifications, refer to the Planning Guide. To access the Planning Guide, scan the QR code or visit fisherpaykel.com/specify. Search by appliance type, product name or model code.

INTEGRATED (STANDARD)

WB60SDEI3



PRODUCT DIMENSIONS		mm
A	Overall height	140
B	Overall width	559
C	Chassis height	140
D	Chassis width	559
E	Chassis depth	566
F	Front panel thickness	min 16

CAVITY DIMENSIONS		mm
A	Minimum inside height of cavity	142
B	Minimum inside width of cavity	560
C	Minimum inside depth of cavity*	550
	Recommended cabinet height	144
	Recommended cabinet width	600

*Measured from front of chassis.

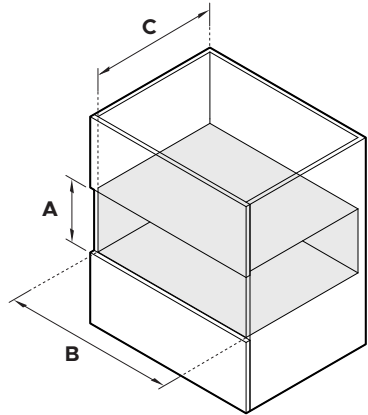
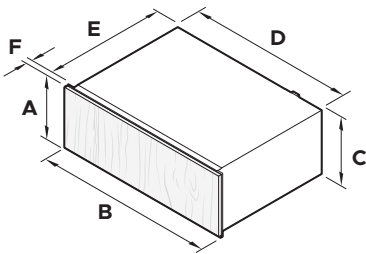
ACCESSING YOUR PRODUCT SPECIFICATIONS



For full product, cabinetry and service specifications, refer to the Planning Guide. To access the Planning Guide, scan the QR code or visit fisherpaykel.com/specify. Search by appliance type, product name or model code.

INTEGRATED (TALL)

WB60SDTEI3



PRODUCT DIMENSIONS		mm
A	Overall height	290
B	Overall width	559
C	Chassis height	290
D	Chassis width	559
E	Chassis depth	566
F	Front panel thickness	min 16

CAVITY DIMENSIONS		mm
A	Minimum inside height of cavity	292
B	Minimum inside width of cavity	560
C	Minimum inside depth of cavity*	550
	Recommended cabinet height	294
	Recommended cabinet width	600

*Measured from front of chassis.

ELECTRICAL CONNECTION

SPECIFICATIONS	WB60 MODELS
SERVICE (A)	10
SUPPLY (Hz)	50
VOLTAGE (V)	220 – 240V

