

COOKING

PLANNING GUIDE

Integrated Insert Wall Cooker Hood 60cm | HP60IHCB4

Integrated Insert Wall Cooker Hood 90cm | HP90IHCB4

FISHER & PAYKEL

INTRODUCTION

This comprehensive planning guide provides you with the framework and tools to achieve your desired design outcome with Fisher & Paykel appliances. In this guide, you will find a range of conceptual, detailed, and dimensional product information to bring your ideas to life and create spaces that truly reflect your vision.

SUPPORT

For additional design planning and installation support please contact the Fisher & Paykel design support team.
designsupport@fisherpaykel.com

NOTES

The models shown in this Planning Guide may not be available in all markets and are subject to change at any time. For the latest version of this document, please visit our website at fisherpaykel.com. Product specifications may vary from those shown.

This Planning Guide is not intended to be used as installation guidance for any product. Detailed installation instructions are available on our website.

CONTENTS

CONCEPT DESIGN

PAGE

DEVELOPED AND DETAILED DESIGN

PAGE

DEVELOPED AND DETAILED DESIGN

PAGE

SPECIFICATION GUIDE

HP90IHCB4 Integrated Insert Wall Cooker Hoods	4
HP60IHCB4 Integrated Insert Wall Cooker Hoods	6

DATA SHEETS

HP90IHCB4 Integrated Insert Wall Cooker Hoods	9
HP60IHCB4 Integrated Insert Wall Cooker Hoods	10

SPECIFICATION GUIDE



OVERVIEW

High-quality, integrated insert wall cooker hoods seamlessly blend with cabinetry and can be installed in a variety of kitchen layouts. With four fan speeds, plus a boost function, powerful extraction quickly removes odours and steam. Enjoy seamless operation with Wi-Fi enabled remote control.

PRODUCTS | SERIES 7

Integrated Insert Wall Cooker Hood, 90cm
HP90IHCB4

OPTIONAL ACCESSORIES

- ① Recirculation Carbon Filter
- ② Aluminium Filter

FEATURES

- ① Seamlessly integrated
- ② Wi-Fi enabled for remote control and notifications through the SmartHQ™ app
- ③ Powerful 710m³/hr maximum airflow
- ④ Energy-efficient bi-colour 3000K and 4000K LED lighting creates a warm (or cold), even glow
- ⑤ Sleek black glass finish with real stainless steel frame
- ⑥ Four fan speeds plus a boost function
- ⑦ Automatic alert works as a reminder to clean filters for optimal performance
- ⑧ Removable, easy-to-clean filters that effectively trap grease
- ⑩ Delayed turn off

*Selected markets and models

SPECIFICATIONS

Model Number

HP90IDCHB4 90cm, Integrated Insert Wall Cooker Hood

Product Dimensions

H 361mm x **W** 830mm x **D** 280mm

Weight

11.5kg

Electrical

Supply 220-240 V, 50 Hz

Light Source

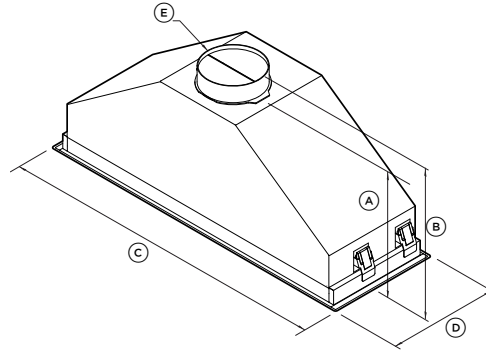
Type Bi colour LED strip

Temperature 3000 or 4000K

Distance above cooktops

600 - 750mm

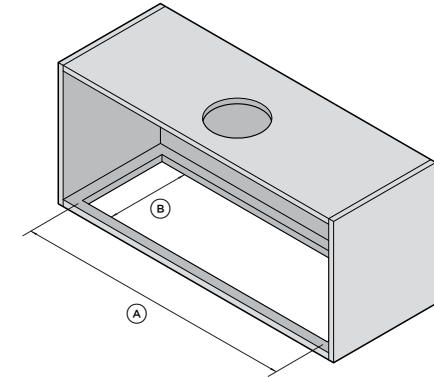
PRODUCT DIMENSIONS



ISOMETRIC VIEW

	mm
Ⓐ Overall height of cooker hood without ducting adapter	316
Ⓑ Overall height of cooker hood with ducting adapter	361
Ⓒ Overall width of cooker hood	830
Ⓓ Overall depth of cooker hood (excl. cabinetry front panel)	280
Ⓔ Diameter of ducting adapter	150

CAVITY DIMENSIONS



ISOMETRIC VIEW

	mm
Ⓐ Width of cut-out	800
Ⓑ Depth of cut-out	260

*Note: We recommend the cabinet has a door or service panel that can be easily opened to access the power connection.

The models shown in this Planning Guide may not be available in all markets and are subject to change at any time. For the latest version of this document, please visit our website at fisherpaykel.com. Product specifications may vary from those shown. The Planning Guide is not intended to be used as installation guidance for any product. Detailed installation instructions are available on our website.



OVERVIEW

High-quality, integrated insert wall cooker hoods seamlessly blend with cabinetry and can be installed in a variety of kitchen layouts. With four fan speeds, plus a boost function, powerful extraction quickly removes odours and steam. Enjoy seamless operation with Wi-Fi enabled remote control.

PRODUCTS | SERIES 7

Integrated Insert Wall Cooker Hood, 60cm
HP60IHCB4

OPTIONAL ACCESSORIES

- ① Recirculation Carbon Filter
- ② Aluminium Filter

FEATURES

- ① Seamlessly integrated
- ② Wi-Fi enabled for remote control and notifications through the SmartHQ™ app
- ③ Powerful 641m³/hr maximum airflow
- ④ Energy-efficient bi-colour 3000K and 4000K LED lighting creates a warm (or cold), even glow
- ⑤ Sleek black glass finish with real stainless steel frame
- ⑥ Four fan speeds plus a boost function
- ⑦ Automatic alert works as a reminder to clean filters for optimal performance
- ⑧ Removable, easy-to-clean filters that effectively trap grease
- ⑩ Delayed turn off

*Selected markets and models

SPECIFICATIONS

Model Number

HP60IDCHB4 60cm, Integrated Insert Wall Cooker Hood

Product Dimensions

H 361mm x W 530mm x D 280mm

Weight

8.2kg

Electrical

Supply 220-240 V, 50 Hz

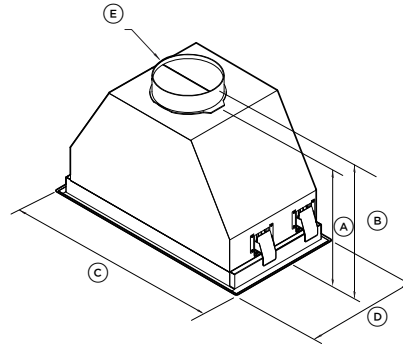
Light Source

Type Bi colour LED strip

Temperature 3000K or 4000K

Distance above cooktops 600 - 750mm

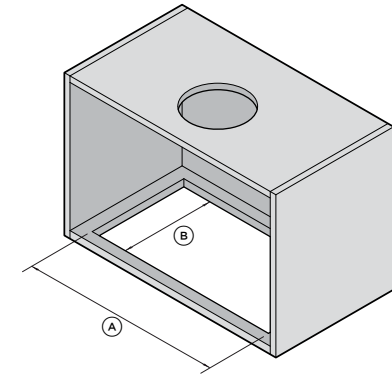
PRODUCT DIMENSIONS



ISOMETRIC VIEW

	mm
Ⓐ Overall height cooker hood without ducting adapter	316
Ⓑ Overall height of cooker hood with ducting adapter	361
Ⓒ Overall width of cooker hood	530
Ⓓ Overall depth of cooker hood (excl. cabinetry front panel)	280
Ⓔ Diameter of ducting adapter	150

CAVITY DIMENSIONS



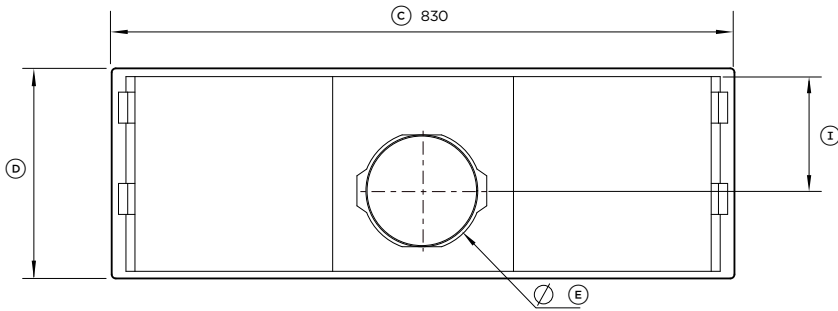
ISOMETRIC VIEW

	mm
Ⓐ Width of cut-out	500
Ⓑ Depth of cut-out	260

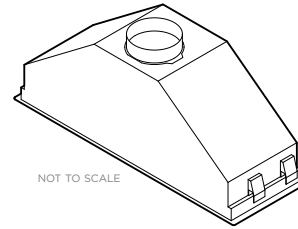
*Note: We recommend the cabinet has a door or service panel that can be easily opened to access the power connection.

The models shown in this Planning Guide may not be available in all markets and are subject to change at any time. For the latest version of this document, please visit our website at fisherpaykel.com. Product specifications may vary from those shown. The Planning Guide is not intended to be used as installation guidance for any product. Detailed installation instructions are available on our website.

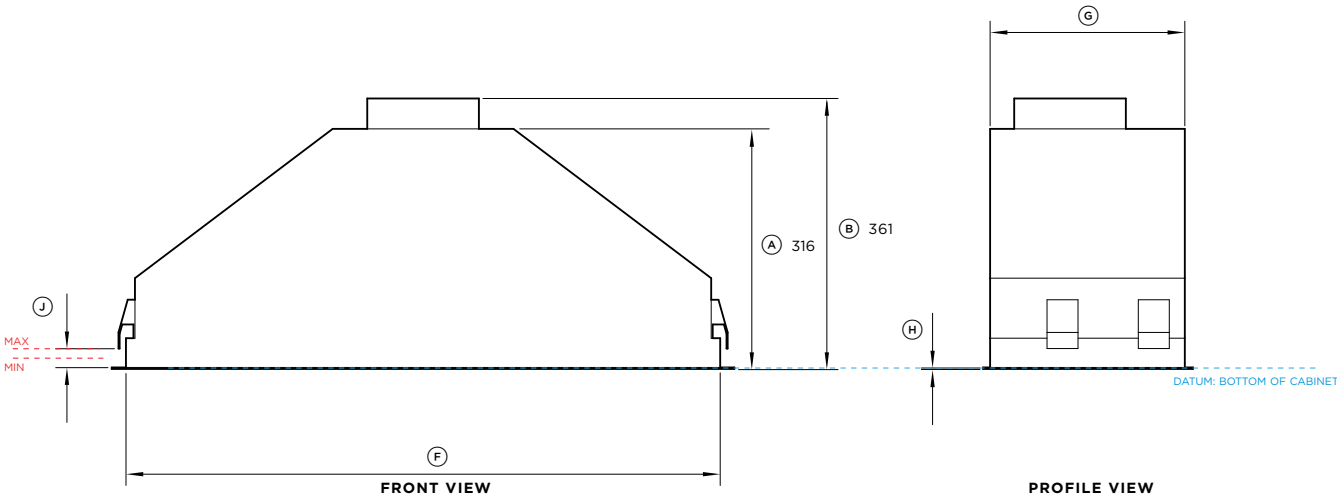
DATA SHEETS



PLAN VIEW

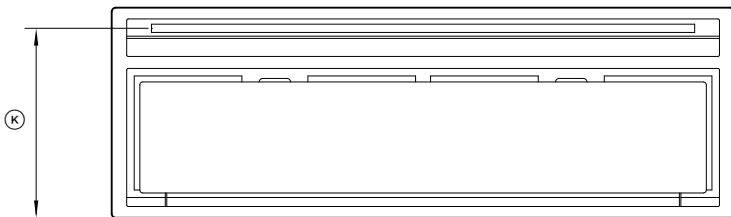


NOT TO SCALE

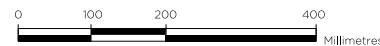


FRONT VIEW

PROFILE VIEW



BOTTOM VIEW



Model no:

HP90IHCB4

90cm, Integrated Insert Wall Cooker Hood

Ⓐ Overall height of cooker hood with ducting adaptor	361
Ⓒ Overall width of cooker hood	830
Ⓓ Overall depth of cooker hood (excl. cabinetry front panel)	280
Ⓔ Diameter of ducting adaptor	150
Ⓕ Width of cooker hood chassis	792
Ⓖ Depth of cooker hood chassis	258
Ⓗ Thickness of flange	2
Ⓘ Distance from ducting outlet centre to rear of chassis	152
Ⓝ Height adjustability of clip that secures cooker hood (cabinet base panel thickness)	min 15 max 40
Ⓚ Distance from rear to centre of light	253

Cavity Dimensions Standard Installation	mm
Width of cut-out	800
Depth of cut-out	260

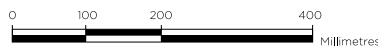
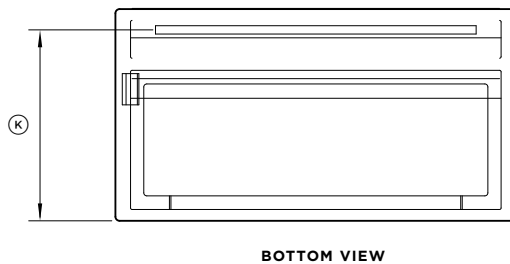
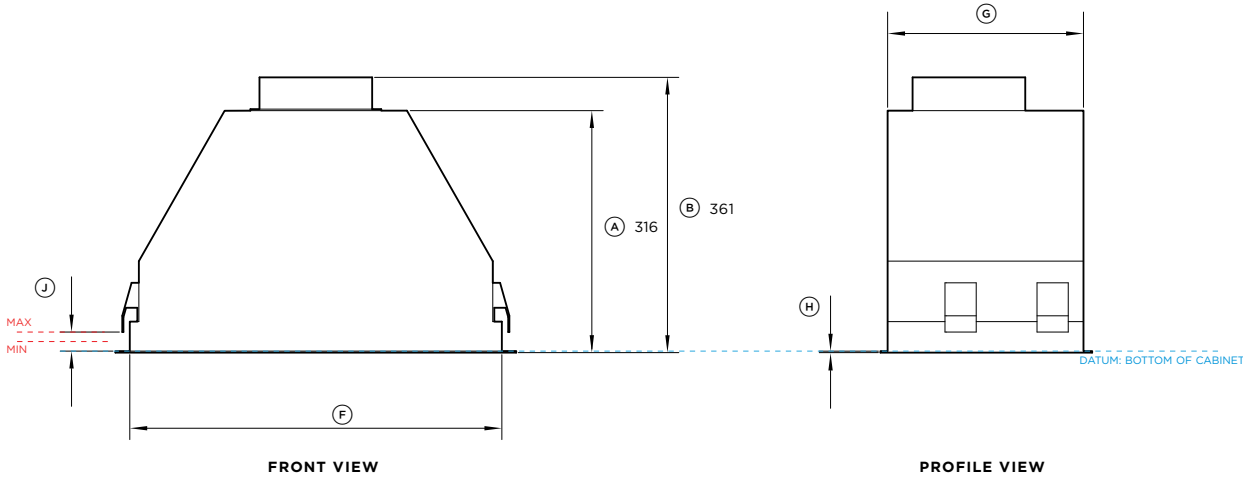
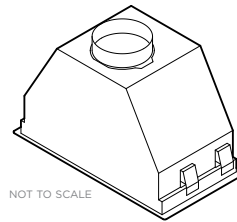
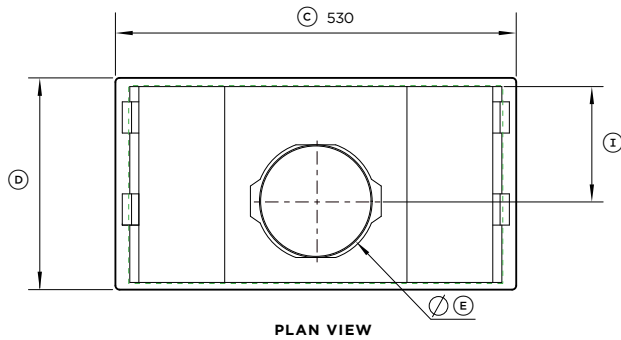
Minimum distance above cooktops	mm
Minimum height from top of electric cooktop to base of product	600
Minimum height from top of gas cooktop to base of product	650

Minimum height may be greater if required by your cooktop. Refer to cooktop installation guide for details.

Note: We recommend the cabinet has a door or service panel that can be easily opened to access the power connection.

- INDICATES CABINERY / PRODUCT DATUM
- INDICATES CABINERY CLEARANCES
- INDICATES CUTOUT

IMPORTANT NOTE: Throughout this guide, dimensions may vary by ±2mm (1/16"). Please read the installation manual for detailed information on installing the product. For full installation instructions & specifications visit fisherpaykel.com



Model no:

HP60IHCB4

60cm, Integrated Insert Wall Cooker Hood

Ⓐ Overall height of cooker hood with ducting adaptor	361
Ⓒ Overall width of cooker hood	530
Ⓓ Overall depth of cooker hood (excl. cabinetry front panel)	280
Ⓔ Diameter of ducting adaptor	150
Ⓕ Width of cooker hood chassis	492
Ⓖ Depth of cooker hood chassis	258
Ⓗ Thickness of flange	2
Ⓛ Distance from ducting outlet centre to rear of chassis	152
Ⓜ Height adjustability of clip that secures cooker hood (cabinet base panel thickness)	min 15 max 40
Ⓝ Distance from rear to centre of light	253

Cavity Dimensions Standard Installation	mm
Width of cut-out	500
Depth of cut-out	260

Minimum distance above cooktops	mm
Minimum height from top of electric cooktop to base of product	600
Minimum height from top of gas cooktop to base of product	650

Minimum height may be greater if required by your cooktop. Refer to cooktop installation guide for details.

Note: We recommend the cabinet has a door or service panel that can be easily opened to access the power connection.

- INDICATES CABINETRY / PRODUCT DATUM
- INDICATES CABINETRY CLEARANCES
- INDICATES CUTOUT

IMPORTANT NOTE: Throughout this guide, dimensions may vary by ±2mm (1/16"). Please read the installation manual for detailed information on installing the product. For full installation instructions & specifications visit fisherpaykel.com

