

The Haier logo is displayed in white text on a dark grey rectangular background in the top right corner of the page.

Haier

# Freestanding Oven with Induction Cooktop

---

## **H500**

HOR60S11CESX2

## **H300**

HOR90S8CESX2, HOR90S8CEBX2



## CONTENTS

---

Safety and warnings .....	4
Components required .....	9
Product dimensions .....	10
Cabinetry dimensions .....	11
Preparing your cooker .....	12
Ventilation requirements .....	13
Moving and levelling the cooker .....	14
Anti-tip device .....	15
Location of electrical supply .....	16
Electrical connection .....	17
Installer checklist .....	19

### **⚠ WARNING!**



#### **Electric Shock Hazard**

Failure to follow this advice may result in electric shock or death.

- Do not cook on a broken or cracked cooktop. If the cooktop surface should break or crack, switch the appliance off immediately at the mains power supply (wall switch) and contact a qualified technician.
- Switch the appliance off before cleaning or maintenance.

### **⚠ WARNING!**



#### **Fire Hazard**

Failure to follow this advice may result in serious burns or death.

- Unattended cooking on a hob with fat or oil can be dangerous and may result in fire.
- Cover flame, eg with a lid or fire blanket, or use dry chemical or foam-type extinguisher.
- Do not store items on cooking surfaces.

### ⚠ WARNING!



#### **Cut Hazard**

Failure to follow this advice could result in injury and cuts.

- The razor sharp blade of a cooktop scraper is exposed when the safety cover is retracted. Use with extreme care and always store safely and out of the reach of children.

### ⚠ WARNING!



#### **Hot Surface Hazard**

Failure to follow this advice could result in burns and scalds.

- Do not touch surface units or areas near units. Surface units maybe hot even though they are dark in colour.
- Surfaces of the appliance may become hot enough to cause burns.
- During and after use, do not touch or let clothing or other flammable materials contact heating elements until they have had sufficient time to cool.
- Handles of saucepans may be hot to touch. Check saucepan handles do not overhang other cooking zones that are on. Keep handles out of reach of children.
- Never leave metal objects (such as kitchen utensils) or empty pans on the cooktop as they can become very hot quickly.

# SAFETY AND WARNINGS

---

## READ AND SAVE THIS GUIDE

Only use the oven for its intended purpose, that is only for the cooking of foods: any other use, for example as a heat source, is considered improper and therefore dangerous. The manufacturer cannot be held responsible for any damage resulting from improper, incorrect or unreasonable usage.

## General warnings

- Do not use a steam cleaner for cleaning operations.
- CAUTION: in order to avoid a hazard due to inadvertent resetting of the thermal cut-out, this appliance must not be supplied through an external switching device, such as a timer, or connected to a circuit that is regularly switched on and off by the utility.
- During use the appliance become hot. Care should be taken to avoid touching heating elements inside the oven.

## Use limitations

- The appliance can be used by children aged from 8 years and above and persons with reduced physical, sensory or mental capabilities or lack of experience and knowledge if they have been given supervision or instruction concerning use of the appliance in a safe way and understand the hazards involved. Children shall not play with the appliance. Cleaning and maintenance shall not be made by children without supervision.
- This appliance is not intended to be used by persons (including children) with reduced physical, sensory or mental capabilities, or lack of experience and knowledge, unless they have been given supervision or instruction concerning use of the appliance by a person responsible for their safety.
- Children should be supervised to ensure that they do not play with the appliance.
- WARNING: the appliance and its accessible parts become hot during use. Care should be taken to avoid touching heating elements.
- Children less than 8 years of age shall be kept away unless continuously supervised.
- WARNING: Accessible parts may become hot during use. Young children should be kept away.

## Installation warnings

- Before fixing, you must ensure good ventilation in the oven space to allow proper circulation of the fresh air required for cooling and protecting the internal parts. Make the openings specified on the illustrations according to the type of fitting. Always fix the oven to the furniture with screws provided with the appliance.
- No additional operation/setting is required in order to operate the appliance at the rated frequencies.
- The appliance must not be installed behind a decorative door in order to avoid overheating.
- During installation the oven should be disconnected from the mains electricity supply.
- If the assistance of the manufacturer is required to rectify faults arising from incorrect installation, this assistance is not covered by the guarantee. The installation instructions for professionally qualified personnel must be followed.
- Incorrect installation may cause harm or injury to people, animals or belongings. The manufacturer cannot be held responsible for such harm or injury.
- Installation must be carried on by a qualified technician who must know and respect the laws in force in the country of installation and the manufacturer's instruction.
- After unboxing the appliance, always check it is not damaged, in case of issue contact the customer service before installing and do not connect to the power supply.

## SAFETY AND WARNINGS

---

- Remove the packaging material before operating the appliance.
- During installation do not use the oven door's handle to lift and move the oven.
- The installation furniture and the adjacent ones must with stand temperatures of 95°C.
- Do not install the product in open environments exposed to atmospheric agents.
- This appliance is designed to be used at altitude lower than 2000m.
- It is recommended to wear protective gloves during installation to avoid cut injuries.

### Electrical warnings

- The socket must be suitable for the load indicated on the tag and must have ground contact connected and in operation. The earth conductor is yellow-green in colour. This operation should be carried out by a suitably qualified professional.
- Connection to the power source can be made by plug or by fixed wiring placing an omnipolar breaker, with contact separation compliant to the requirements for overvoltage category III, between the appliance and the power source that can bear the maximum connected load and that is in line with current legislation.
- In case of incompatibility between the socket and the appliance plug, ask a qualified electrician to substitute the socket with another suitable type. The plug and the socket must be conformed to the current norms of the installation country.
- The yellow-green earth cable should not be interrupted by the breaker. The socket or omnipolar breaker used for the connection should be easily accessible when the appliance is installed.
- If the supply cord is damaged, it must be replaced by the manufacturer, its service agent or similarly qualified persons in order to avoid a hazard. For any repairs, refer only to the Customer Care Department and request the use of original spare parts.
- Disconnect the appliance from the mains electricity supply before carrying out any work or maintenance on it.
- **WARNING:** ensure that the appliance is switched off before replacing the bulb, to avoid the possibility of electric shocks.
- The oven must be switched off before removing the removable parts. After cleaning, reassemble them according the instructions.
- The use of any electrical appliance implies the observance of some fundamental rules:
  - do not pull on the power cable to disconnect the appliance from the power source;
  - do not touch the appliance with wet or damp hands or feet;
  - in general the use of adaptors, multiple sockets and extension cables is not recommended;
  - in case of malfunction and/or poor operation, switch off the appliance and do not tamper with it.
- **NOTE:** as the oven could require maintenance work, it is advisable to keep another wall socket available so that the oven can be connected to this if it is removed from the space in which it is installed.
- Any repair, installation and maintenance not carried out correctly can seriously endanger the user.
- The manufacturing company hereby states that it does not assume any responsibility for direct or indirect damages caused by incorrect installation, maintenance, or repair work. Furthermore, it is not liable for damages caused by the absence or interruption of the grounding system (e.g. electric shock).
- **CAUTION:** in order to avoid a hazard due to inadvertent resetting of the thermal cut-out, this appliance must not be supplied through an external switching device, such as a timer, or connected to a circuit that is regularly switched on and off by the utility.
- The appliance is not designed to be activated by an external timer or separate remote control system.

## SAFETY AND WARNINGS

---

### Use and maintenance

- Do not use harsh abrasive cleaners or sharp metal scrapers to clean the oven door glasses, since they can scratch the surface, which may result in shattering of the glass.
- During cooking, moisture may condense inside the oven cavity or on the glass of the door. This is a normal condition. To reduce this effect, wait 10-15 minutes after turning on the power before putting food inside the oven. In any case, the condensation disappears when the oven reaches the cooking temperature.
- Cook the vegetables in a container with a lid instead of an open tray.
- Avoid leaving food inside the oven after cooking for more than 15/20 minutes.
- A long power supply failure during an occurring cooking phase may cause a malfunction of the monitor. In this case contact customer service.
- **WARNING:** Do not line the oven walls with aluminium foil or single-use protection available from stores. Aluminium foil or any other protection, in direct contact with the hot enamel, risk melting and deteriorating the enamel of the insides.
- **WARNING:** Never remove the oven door seal.
- **CAUTION:** Do not refill the cavity bottom with water during cooking or when the oven is hot.
- For a correct use of the oven it is advisable not to put the food in direct contact with the racks and trays, but to use oven papers and/or special containers.
- **WARNING:** Risk of burn and damage to the appliance: Using the steam function the released steam can cause burns: Open the door carefully to avoid injury after using a cooking function with steam.
- Use only drinking water to fill in the cavity bottom during the steam function.

## COMPONENTS REQUIRED

---

..... TOOLS .....

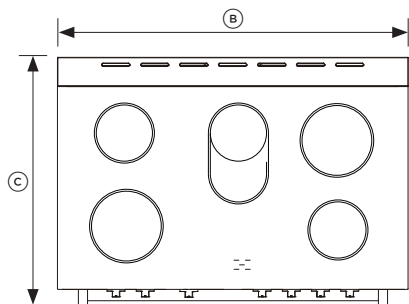
### Supplied

- Screws (2)
- Screw bumper plates (2)

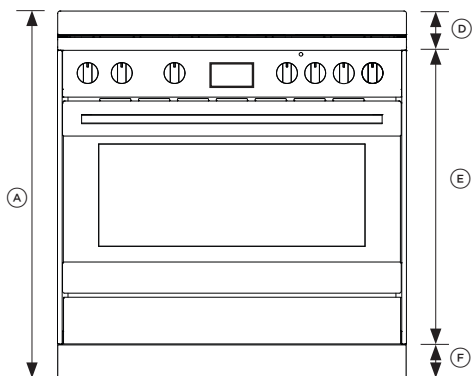
### Not supplied

- Powered driver
- Cross-head screwdriver

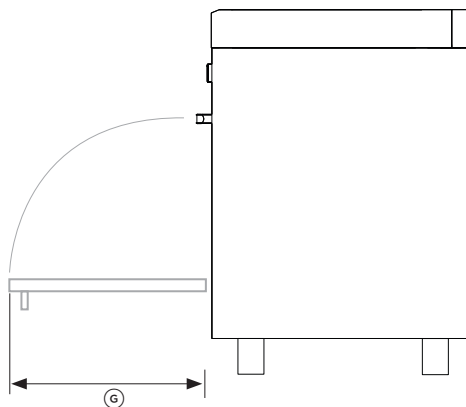
## PRODUCT DIMENSIONS



PLAN



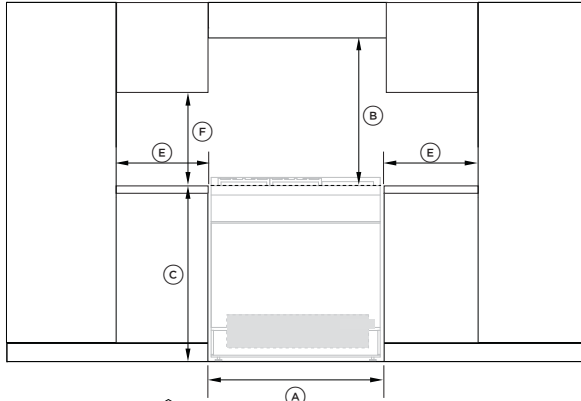
FRONT



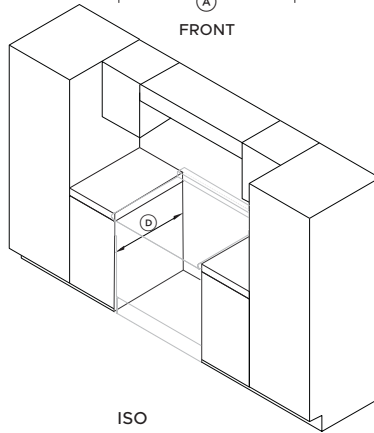
PROFILE

PRODUCT DIMENSIONS	MM	MM
MODELS	HOR60S11CESX2	HOR90S8CESX2, HOR90S8CEBX2.
(A) Overall height	900-925	900-925
(B) Overall width	595	897
(C) Overall depth	600	600
(D) Height of splash back	60	60
(E) Height of chassis	810	810
(F) Adjustable feet height	90-115	90-115
(G) Depth of open door to front of cooker.	477	470

# CABINETRY DIMENSIONS



FRONT



ISO

PRODUCT DIMENSIONS	MM	MM
MODELS	HOR60S11CESX2	HOR90S8CESX2, HOR90S8CEBX2.
(A) Minimum width of cabinetry opening	600	900
(B) Minimum clearance from cooking surface to overhead cabinet or rangehood	650	650
(C) Maximum height of adjacent cabinetry*	920	920
(D) Maximum depth of cabinetry	600	600
(E) Minimum width to adjacent cabinetry	50	50
(F) Minimum height of adjacent cabinetry and overhead cabinetry	450	450

\* Depending on the height of the feet adjustment.

## PREPARING YOUR COOKER

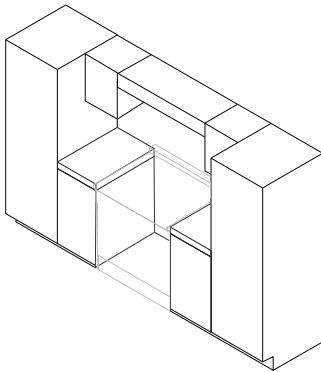
### Before you start

Make sure the product is free from damage and that all cabinetry requirements have been met. Prepare the cooker by following the instructions below to ensure the best performance of your cooker.

### Unpacking the product

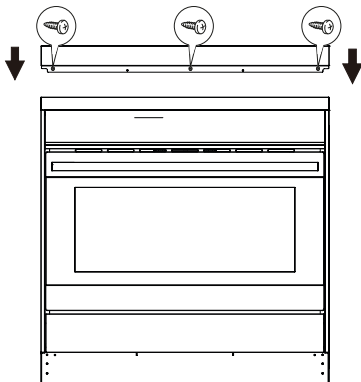
Remove the outer carton and any packing material from the cooker. Steel and aluminium parts may have a protective film that must be removed before installing or using the appliance.

Dispose of packaging responsibly.



### Cabinetry requirements.

Ensure cabinetry complies with minimum sizing specifications. The cabinetry surrounding the cooker must be heat resistant. If you are unsure about your cabinets heat resistance, leave 2cm gap around the cooker.



### Fitting the splash back.

- Remove the screws and spacers on the rear of the cooktop.
- Assemble the splashback as shown and fix onto the back of the range using the same screws and spacers.
- Fix the splashback onto the range using the screws provided.

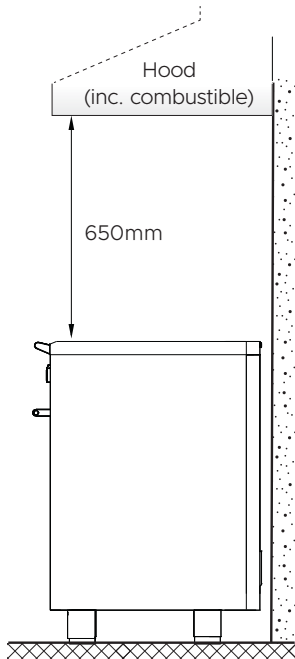
## VENTILATION REQUIREMENTS

### Ventilation

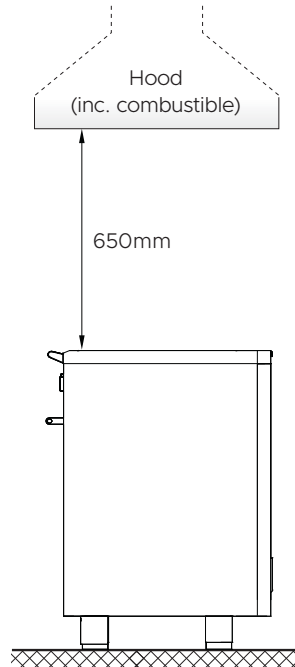
A suitable ventilation grid or hood may be installed above the cooker. Hoods should be installed according to the manufacturer's instructions.

- Ventilation hoods and blowers are designed for use with single wall ducting, however some local building codes or inspectors may require double wall ducting and/or a damper. Consult local building codes and/or agencies before installing to ensure local requirements are met.
- Hood blower speeds should be variable to reduce noise and loss of household air. The maximum speed should only be required when using the grill.
- Due to a high volume of ventilation air, a source of make-up air (outside replacement air) is recommended. This is particularly important for tightly sealed and insulated homes. A reputable heating and ventilating contractor should be consulted.

Wall Installation



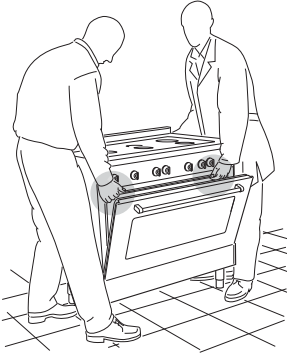
Island Installation



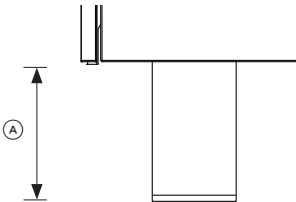
## MOVING AND LEVELLING THE COOKER

To ensure the cooker performs to its best ability ensure that the cooker has been moved carefully and levelled correctly.

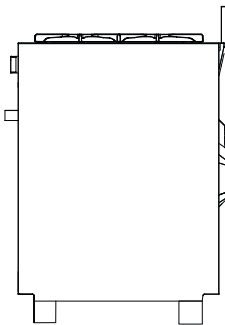
- When moving the cooker do not lift by the door handle, hob rail or trim.
- Do not drag appliance, instead lift.
- The cooker should stand on hard even floor and should not be put on a base.



1. Gently tilt the cooker until you are able to access the feet from the bottom. Ensure there are at least two people when tilting the cooker to avoid harm.



2. Adjust the feet's screws as necessary. Length can be adjusted from 90mm to 115mm.



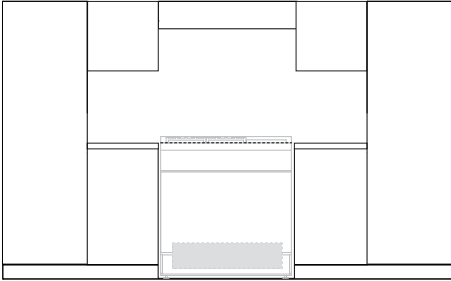
3. Tilt the cooker back to its upright position. Follow the same steps above for adjusting the feet on the opposite side. Once feet have been levelled and cooker is in its final position, clip on toe kick.

## ANTI-TIP DEVICE

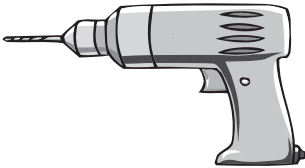
---

### Installing the anti-tip device.

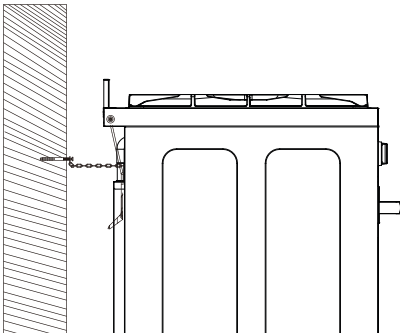
Anti-tip chains are located at the rear of the cooker and must be secured to the wall behind the cooker to prevent accidental tipping/tilting. The chain length must be as short as practicable to avoid cooker tilting forward and also diagonal to avoid cooker moving sideways.



1. Position the cooker in the cabinetry and mark the chain attachment points on the rear wall.



2. Drill holes in the wall & attach the plastic anchors.



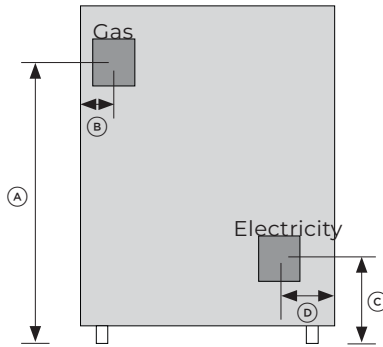
3. Attach the chains and re-position the cooker.

## LOCATION OF ELECTRICAL SUPPLY

### Electrical connection.

It is important that all electrical work is carried out by a suitably qualified and authorised electrician to decrease electrical hazard and ensure the best performance of your cooker.

- The mains lead must not be clamped, bent, trapped, or come into contact with hot parts of the appliance.
- This oven must be earthed.
- Before connecting the oven to the mains power supply, check that:
  - The domestic wiring system is suitable for the power drawn by the oven (as specified on the rating plate)
  - The voltage corresponds to the value given on the rating plate.



SUPPLY AREA DIMENSIONS	MM
Ⓐ Height of gas connection above the floor*	690
Ⓑ Distance of gas connection from product side	50
Ⓒ Height of electrical connection above floor*	320
Ⓓ Distance of electrical connection from product.	150

\*Depending on adjustment of feet.

## ELECTRICAL CONNECTION

---

### IMPORTANT!

- If the installation requires alterations to the domestic electrical system, call a qualified electrician. The electrician should also check that the electrical system is suitable for the electricity drawn by the cooker.
- The appliance must be connected to the mains electricity supply, checking that the voltage corresponds to the value given in the rating plate and that the electrical cable sections can withstand the load specified on the plate.
- A suitable disconnection switch must be incorporated in the permanent wiring, mounted and positioned to comply with the local wiring rules and regulations. The switch must be of an approved type installed in the fixed wiring and provide a 3mm air gap contact separation in all poles in accordance with the local wiring rules.
- A switch of the approved type with a 3mm air gap must be installed in the active (phase) conductor of the fixed wiring.
- The switch must always be accessible.
- The power supply cable must not touch any hot parts and must be positioned so that it does not exceed 75°C at any point.
- This cooker must be connected to a suitable double pole control unit adjacent to the cooker. No diversity can be applied to this control unit.
- This appliance must be connected to the electrical supply using a cable fitted with an appropriately rated plug. The plug must be compatible with the socket-outlet fitted to the final subcircuit in the fixed wiring that is intended to supply the appliance.

### Replacing the power cord

- Replacements should only be made by a qualified electrician.
- Use a cable according to the applicable local regulations.

MODEL CODE	MAX POWER (W)	FREQUENCY (HZ)	VOLTAGE (V)	AMPS (A)
HOR60	8800	50	220-240	25
HOR90	11400	50	220-240	32

### Connecting to the power supply.

- Open the terminal box lid by inserting a screw driver into the slots located at the bottom of the lid and gently lifting up the clips.
- Feed the power supply cable through the clamp.
- Connect the phase, neutral & earth wires as shown in the connection diagram below. Take up any slack in the cable and secure with the clamp
- Close the lid securely.

## ELECTRICAL CONNECTION

Note: The earth wire must be left longer than the other wires.

**IMPORTANT!** Remember to connect the earth (safety) wire to the corresponding location on the connection terminal box.

<b>CONNECTION DIAGRAM</b> <b>Caution! Voltage of heating elements 220-240V</b> <b>Caution! In the event of any connection the safety</b> <b>Wire must be connected to the  E terminal.</b>			<b>Recommended type of connection lead</b>
<b>1</b>	<b>For 220-240V earthed one-phase connection, bridges connect 1-2-3 terminals and 4-5 terminals, safety wire to</b>		<b>H05VV-F3G6</b>
<b>2</b>	<b>For 380-415 earthed three-phase connection, bridges connect 4-5 terminals, phases in succession 1,2 and 3, earth to 4-5, the safety wire to .</b>		<b>H05VV-F5G1.5</b>
<b>L1=R, L2=s, L3=T, N=Null Terminal, E=safety wire terminal</b>			

## INSTALLER CHECKLIST

---

### TO BE COMPLETED BY THE INSTALLER

#### GENERAL

- Placement of unit.
- Specified clearance maintained to cabinet surfaces.
- Unit level—front to back, side to side.
- All packaging material and tie straps removed.
- Backguard attached if there is less than 152mm clearance to combustibles behind unit.
- Radiant tray placed in grill unit (if equipped). The grill grate is in place.
- Island trim or optional backguard correctly attached.
- The anti-tip bracket is correctly installed.
- Door is correctly installed. Check hinge locks both rest inside slots comfortably and neither of the locating notches are visible when oven door is open. When oven door is closed it should run parallel to surrounding cabinetry and sit completely vertical to ensure oven is sealing correctly.

#### ELECTRICAL

- Receptacle with properly rated over-current protection is provided for service cord connection.
- Adequate ground connection.
- Front kick panel in place and two screws secure.

#### OPERATION

- All internal packing materials removed. Check below the grate and inside the oven.
- Grill grate is seated and does not rock (if equipped).
- Knobs turn correctly and freely.
- Griddle is level and does not rock (if equipped).
- Oven door hinges seated and door opens and closes properly

## INSTALLER CHECKLIST

---

Complete and keep for safe reference:

Model \_\_\_\_\_

Serial no. \_\_\_\_\_

Purchase date \_\_\_\_\_

Purchaser \_\_\_\_\_

Dealer address \_\_\_\_\_

Installer's name \_\_\_\_\_

Installer's signature \_\_\_\_\_

Installation company \_\_\_\_\_

Installation date \_\_\_\_\_







# Haier

---

[WWW.HAIER.COM.AU](http://WWW.HAIER.COM.AU)  
[WWW.HAIER.CO.NZ](http://WWW.HAIER.CO.NZ)

□□□□40\*8mm□□□□□□