

COMBINATION MICROWAVE OVEN, CONTEMPORARY

PLANNING GUIDE

SERIES 7

OM60NDLX1

FISHER & PAYKEL

This comprehensive Planning Guide provides you with the framework and tools to achieve your desired design outcome with Fisher & Paykel appliances. In this guide, you will find a range of conceptual, detailed, and dimensional product information to bring your ideas to life and create spaces that truly reflect your vision.

CONTENTS

CONCEPT DESIGN	PAGE	DEVELOPED AND DETAILED DESIGN	PAGE	DEVELOPED AND DETAILED DESIGN	PAGE
Specification Guide OM60NSLX1	3	Data Sheet OM60NSLX1	6		

The models shown in this Planning Guide may not be available in all markets and are subject to change at any time. Product specifications may vary from those shown. This Planning Guide should not be used as installation guidance for any product. Further information is required to safely and correctly install the products featured here. Specific installation guidance will be available on our website fisherpaykel.com

SPECIFICATION GUIDE



OVERVIEW

This 60cm combination microwave combines the speed of microwave cooking with the versatility of convection technology in a compact companion model. It features a spacious 49L interior, sleek stainless steel finish, and 19 cooking functions. The intuitive 2.4" display enhances control, complemented by Wi-Fi connectivity and SmartHQ™ app integration for convenience in any modern kitchen.

PRODUCTS

Combination Microwave Oven, 60cm
2.4" TFT Display, Dial
OM60NDLX1

SERIES & STYLE

Series 7
Contemporary

FEATURES

- ① Stylish stainless steel finish with a polished metal trim
- ② Compact 60cm width means this microwave oven can be placed almost anywhere
- ③ Intuitive, 2.4" display with illuminated dial
- ④ Generous 49L capacity, with four shelf positions
- ⑤ Choose from 19 cooking modes including Fan Forced and Grill
- ⑥ CoolTouch door is safe to touch from the outside
- ⑦ Wi-Fi enabled and works with the SmartHQ™ app for remote control and notifications*
- ⑧ Purchase the Wired Temperature Sensor accessory to precisely monitor cooking in real-time

*Selected markets and models

ACCESSORIES

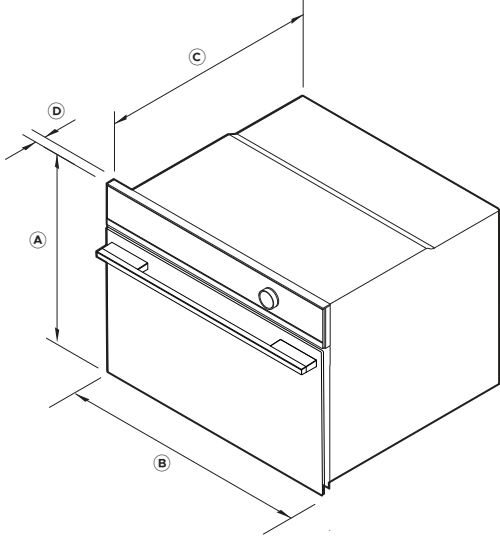
- ① Wire Shelves
- ② Step down wire shelf
- ③ Glass oven tray
- ④ Broil rack

The models shown in this Planning Guide may not be available in all markets and are subject to change at any time. Product specifications may vary from those shown. This Planning Guide should not be used as installation guidance for any product. Further information is required to safely and correctly install the products featured here. Specific installation guidance will be available on our website fisherpaykel.com

SPECIFICATIONS

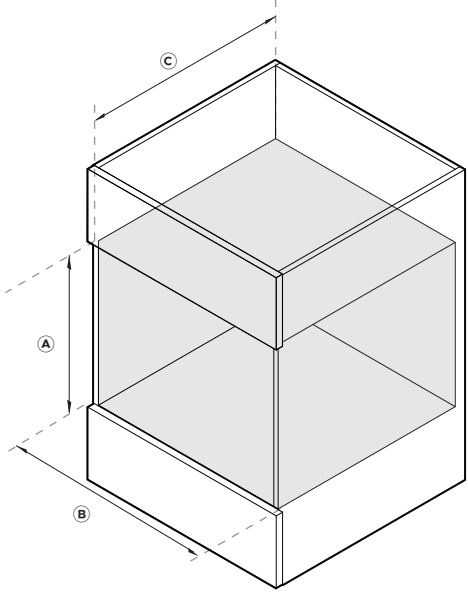
Model No.	OM60NDLX1
Product Dimensions	H 458mm W 596mm D 565mm
Electrical	
Supply	220-240 V, 50 Hz
Service	20 A

PRODUCT DIMENSIONS



	mm
Ⓐ Overall height	458
Ⓑ Overall width	596
Ⓒ Depth of chassis	545
Ⓓ Depth from front frame (excludes dial and handle)	20
Depth of oven door when fully open (measured from front of control panel)	320

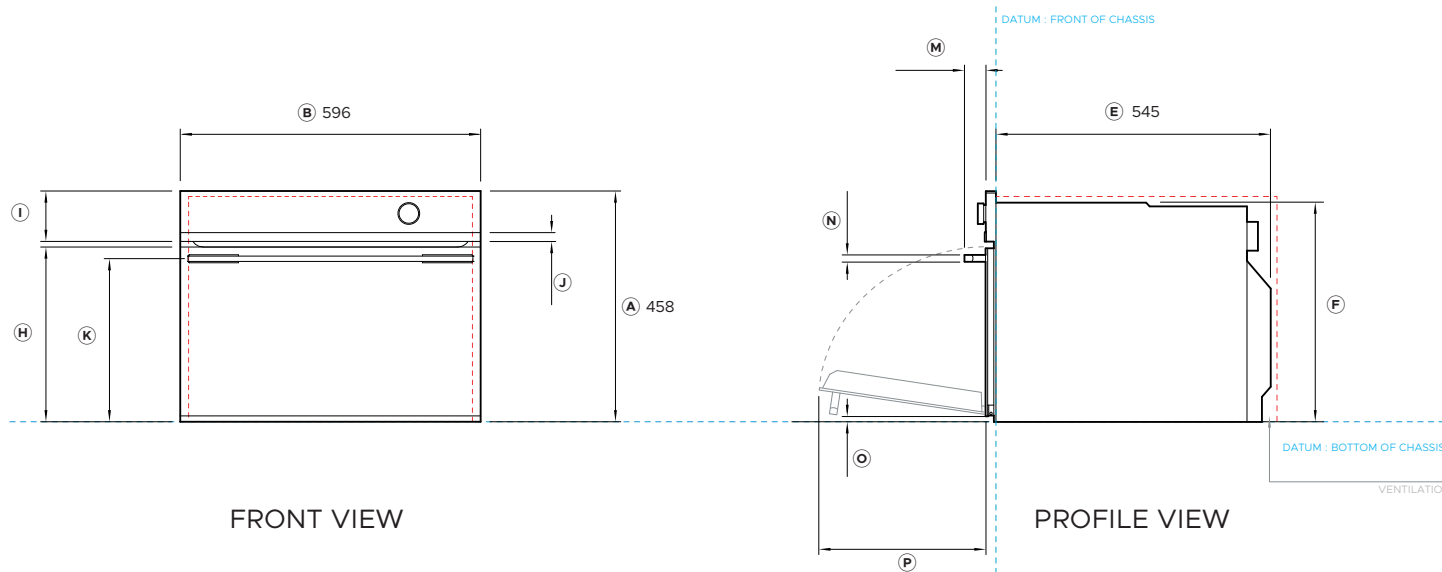
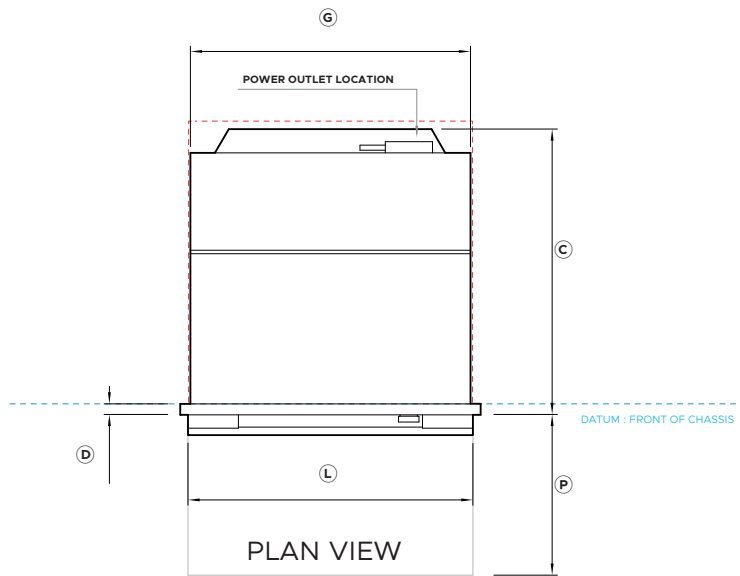
CAVITY DIMENSIONS



	mm
Ⓐ Minimum inside height	440
Ⓑ Minimum inside width	560
Ⓒ Minimum inside depth	550

The models shown in this Planning Guide may not be available in all markets and are subject to change at any time. Product specifications may vary from those shown. This Planning Guide should not be used as installation guidance for any product. Further information is required to safely and correctly install the products featured here. Specific installation guidance will be available on our website fisherpaykel.com

DATA SHEET



OM60NDLX1

Product Dimensions	mm
A Overall height of oven	458
B Overall width of oven	596
C Overall depth of oven (excludes handle and front metal trim)	565
D Depth of oven frame, control panel and door (excludes handle and front trim)	20
E Depth of chassis (includes terminal block)	545
F Height of chassis	435
G Width of chassis	556
H Height from bottom datum to top of oven door	347
I Height of control panel	100
J Height of metal cap on control panel	20
K Height from bottom datum to centerline of handle	324
L Width of handle	565
M Depth of handle (measured from front of door)	42
N Thickness of handle	16
O Distance from bottom datum to bottom of door glass	12
P Depth of door (open) (measured from front of door)	320

Minimum Clearances	mm
Minimum inside height of cavity	440
Minimum inside width of cavity	560
Minimum inside depth of cavity	550
Overall height of cabinetry (cavity around front frame)	460
Overall width of cabinetry (cavity around front frame)	600
Rear ventilation air vent depth*	50
Rear ventilation air vent width*	560

*A rear ventilation air vent totalling 44in2 (280cm2) is required. The air vent must be located at the rear of the cabinet, it can be positioned at the base, sides, back or top of the cavity.

IMPORTANT NOTE: Throughout this guide, dimensions may vary by ±2mm (1/16")

INDICATES PRODUCT DATUM -----
 INDICATES CABINETRY CLEARANCES -----

IMPORTANT NOTE: Throughout this guide, dimensions may vary by ±2mm (1/16"). Please read the Installation Guide for detailed information on installing the product. For full installation instructions visit fisherpaykel.com

