

FISHER & PAYKEL

DATA SHEET

Freestanding Dishwasher, 60cm

Model nos:

DW60FC4X3
DW60FC1X3
DW60FC2X3

Product Dimensions

	mm
Ⓐ Overall height of product* (incl. top panel)	850 - 895
Ⓑ Overall width of product	597
Ⓒ Overall depth of product (incl. top panel)	600
Ⓓ Depth chassis	558
Ⓔ Height of feet*	0 - 45
Ⓕ Door panel depth	46
Ⓖ Height from top of chassis to bottom of door panel	745
Ⓗ Height from top of door to floor*	103
Ⓘ Depth of door opening	620
Ⓙ Door panel width	590
Ⓚ Door panel height	711

*Depending on adjustment of levelling feet

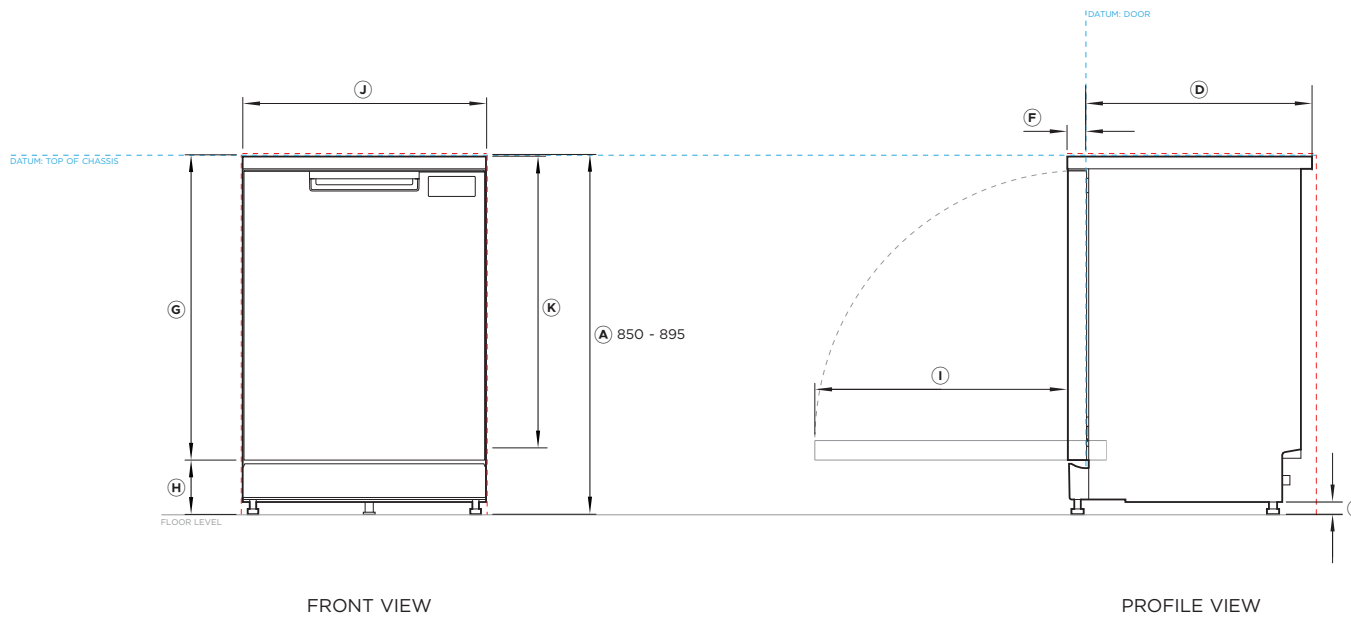
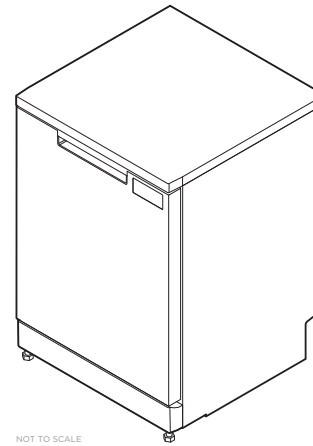
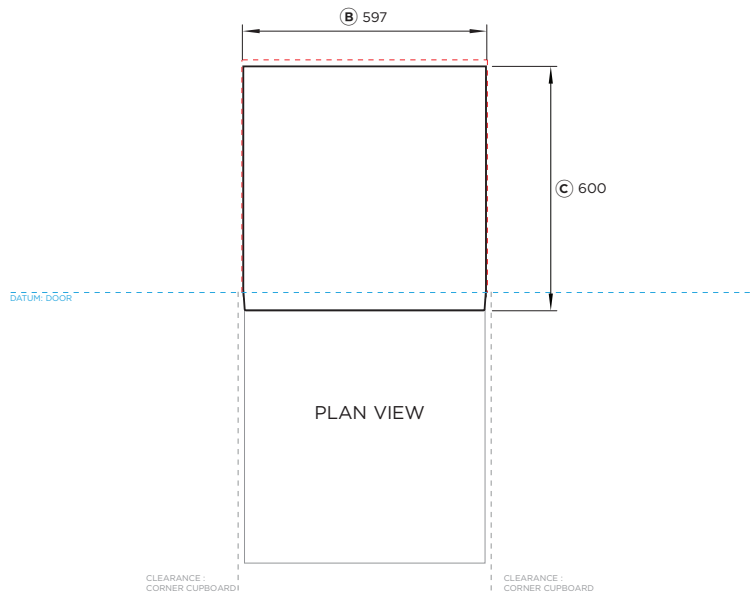
Minimum Clearances

	mm
Minimum inside height of cavity* with top panel in place with top panel removed**	850 - 895
Minimum inside width of cavity	600
Minimum overall depth of cavity	605

*Depending on adjustment of levelling feet

**The top panel may be removed to suit underbench cavity height

See Installation Guide for further instructions



INDICATES PRODUCT DATUM -----
INDICATES CABINETRY CLEARANCES - - - - -

DATE: 1.4.2024

90003391B

IMPORTANT NOTE: Throughout this guide, dimensions may vary by ± 2 mm (1/16"). Please read the installation guide for detailed information on installing the product. For full installation instructions & specifications visit fisherpaykel.com