

REFRIGERATOR FREEZERS

PLANNING GUIDE

SERIES 7 FRENCH DOOR REFRIGERATOR FREEZER

RF178ANUX1 | RF178ANJX1 | RF178ANX1

SERIES 5 REFRIGERATOR FREEZER

RF178WRNUX1 | RF178WRNJX1 | RF178WRNX1

INTRODUCTION

This comprehensive planning guide provides you with the framework and tools to achieve your desired design outcome with Fisher & Paykel appliances. In this guide, you will find a range of conceptual, detailed, and dimensional product information to bring your ideas to life and create spaces that truly reflect your vision.

SUPPORT

For additional design planning and installation support please contact the Fisher & Paykel design support team.
designsupport@fisherpaykel.com

NOTES

The models shown in this Planning Guide may not be available in all markets and are subject to change at any time. Refer to our website fisherpaykel.com for the latest document version. Product specifications may vary from those shown. This Planning Guide should not be used as installation guidance for any product. Specific installation guidance will be available with the product on delivery and on our website.

CONTENTS

CONCEPT DESIGN	PAGE	DEVELOPED AND DETAILED DESIGN	PAGE	DEVELOPED AND DETAILED DESIGN	PAGE
Specification guide		Design choices		Services	
RF178ANUX1	4	Product options	11	RF178ANUX1, RF178ANJX1	24
RF178ANJX1	5			RF178ANX1	25
RF178ANX1	6	Data sheets		RF178WRNUX1, RF178WRNJX1	26
RF178WRNUX1	7	RF178ANUX1	13	RF178WRNX1	27
RF178WRNJX1	8	RF178ANX1, RF178ANJX1	14		
RF178WRNX1	9	RF178WRNUX1	15		
		RF178WRNX1, RF178WRNJX1			
			16		
		Planning considerations			
		Cavity specifications	18		
		Cavity width for door opening	19		
		Door opening clearance	20		
		Venting specifications	21		
		Service specifications	22		

SPECIFICATION GUIDE



OVERVIEW

With a sleek stainless finish, this 18 cu ft French Door fridge is designed for everyday convenience. It offers plenty of fresh food space with a 70:30 split, dual humidity bins, and a slimline dispenser for chilled water and ice—making it a practical, stylish choice for busy households.

PRODUCTS*

RF178ANUX1

18 cu ft Series 7 French Door Refrigerator Freezer, Ice & Water.
Stainless Steel

*Some models may not be available in all markets, please check fisherpaykel.com for more information.

FEATURES

- ① Sleek French Door design with recessed handles for a contemporary look.
- ② 70:30 fridge-to-freezer split for generous fresh food capacity.
- ③ Dual humidity bins preserve fruits and vegetables in ideal conditions for lasting freshness.
- ④ ActiveSmart™ technology maintains the ideal temperature to help keep food fresher for longer.
- ⑤ Slimline water dispenser and internal ice maker provide chilled water and ice on demand.
- ⑥ Energy-efficient design cools and defrosts only when needed, saving energy without compromise.
- ⑦ Full-width drawers and flexible shelving support easy organisation.
- ⑧ Premium materials including solid glass shelving and stainless detailing.
- ⑨ Bright LED lighting ensures easy access to contents.



RF178ANUX1

The models shown in this Planning Guide may not be available in all markets and are subject to change at any time. Product specifications may vary from those shown. This Planning Guide should not be used as installation guidance for any product. Further information is required to safely and correctly install the products featured here. Specific installation guidance will be available with the product on delivery and on our website fisherpaykel.com



OVERVIEW

With its sleek French Door design and recessed handles, this 18 cu ft refrigerator brings refined style to everyday living. A 70:30 split prioritises fresh food storage, while dual humidity drawers and ActiveSmart™ technology help maintain ideal conditions. Designed for energy efficiency and easy access with a spacious bottom freezer.

PRODUCTS*

RF178ANJX1

18 cu ft Series 7 French Door Refrigerator Freezer, Ice
Stainless Steel

*Some models may not be available in all markets, please check fisherpaykel.com for more information.



RF178ANJX1

FEATURES

- ① Sleek French Door design with recessed handles for a contemporary look.
- ② 70:30 fridge-to-freezer split for generous fresh food capacity.
- ③ Dual humidity bins preserve fruits and vegetables in ideal conditions for lasting freshness.
- ④ Internal ice maker delivers fresh ice on demand.
- ⑤ ActiveSmart™ technology maintains the ideal temperature to help keep food fresher for longer.
- ⑥ Energy-efficient design cools and defrosts only when needed, saving energy without compromise.
- ⑦ Spacious bottom freezer with full extension drawers gives easy access to frozen goods.
- ⑧ Premium materials including solid glass shelving and stainless detailing.
- ⑨ Bright LED lighting ensures easy access to contents.

The models shown in this Planning Guide may not be available in all markets and are subject to change at any time. Product specifications may vary from those shown. This Planning Guide should not be used as installation guidance for any product. Further information is required to safely and correctly install the products featured here. Specific installation guidance will be available with the product on delivery and on our website fisherpaykel.com



OVERVIEW

With its sleek French Door design and recessed handles, this 18 cu ft refrigerator brings refined style to everyday living. A 70:30 split prioritises fresh food storage, while dual humidity drawers and ActiveSmart™ technology help maintain ideal conditions. Designed for energy efficiency and easy access with a spacious bottom freezer.

PRODUCTS*

RF178ANX1

18 cu ft Series 7 French Door Refrigerator Freezer.
Stainless Steel

*Some models may not be available in all markets, please check fisherpaykel.com for more information.

FEATURES

- ① Sleek French Door design with recessed handles for a contemporary look.
- ② 70:30 fridge-to-freezer split for generous fresh food capacity.
- ③ Dual humidity bins preserve fruits and vegetables in ideal conditions for lasting freshness.
- ④ ActiveSmart™ technology maintains the ideal temperature to help keep food fresher for longer.
- ⑤ Energy-efficient design cools and defrosts only when needed, saving energy without compromise.
- ⑥ Spacious bottom freezer with full extension drawers gives easy access to frozen goods.
- ⑦ Premium materials including solid glass shelving and stainless detailing.
- ⑧ Bright LED lighting ensures easy access to contents.



The models shown in this Planning Guide may not be available in all markets and are subject to change at any time. Product specifications may vary from those shown. This Planning Guide should not be used as installation guidance for any product. Further information is required to safely and correctly install the products featured here. Specific installation guidance will be available with the product on delivery and on our website fisherpaykel.com



OVERVIEW

This 18.2 cu ft bottom freezer refrigerator offers generous fresh food storage and everyday convenience, with a slimline water dispenser and internal ice maker. A 70:30 fridge-freezer split, dual humidity bins, and ActiveSmart™ technology help keep food fresher for longer in a sleek, counter-depth Stainless Steel design.

PRODUCTS*

RF178WRNUX1

18.2 cu ft Series 5 Refrigerator Freezer, Ice & Water.
Stainless Steel

*Some models may not be available in all markets, please check fisherpaykel.com for more information.

FEATURES

- ① Slimline, counter-depth design with a bottom freezer.
- ② 70:30 fridge-to-freezer split for generous fresh food capacity.
- ③ Dual humidity bins preserve fruits and vegetables in ideal conditions for lasting freshness.
- ④ Slimline water dispenser and internal ice maker provide chilled water and ice on demand.
- ⑤ ActiveSmart™ technology maintains the ideal temperature to help keep food fresher for longer.
- ⑥ Energy-efficient design cools and defrosts only when needed, saving energy without compromise.
- ⑦ Full-width drawers and flexible shelving support easy organisation.
- ⑧ Premium materials including solid glass shelving and stainless detailing.
- ⑨ Bright LED lighting ensures easy access to contents.



RF178WRNUX1

The models shown in this Planning Guide may not be available in all markets and are subject to change at any time. Product specifications may vary from those shown. This Planning Guide should not be used as installation guidance for any product. Further information is required to safely and correctly install the products featured here. Specific installation guidance will be available with the product on delivery and on our website fisherpaykel.com



OVERVIEW

With a slimline, counter-depth design and recessed handles, this 18.2 cu ft bottom freezer refrigerator offers a streamlined aesthetic and generous fresh food capacity. A 70:30 fridge-freezer split, dual humidity bins, and ActiveSmart™ technology help keep food fresher for longer, while flexible shelving supports easy organisation.

PRODUCTS*

RF178WRNJX1

18.2 cu ft Series 5 Refrigerator Freezer, Ice.
Stainless Steel

*Some models may not be available in all markets, please check fisherpaykel.com for more information.

FEATURES

- ① Slimline, counter-depth design with a bottom freezer.
- ② 70:30 fridge-to-freezer split for generous fresh food capacity.
- ③ Dual humidity bins preserve fruits and vegetables in ideal conditions for lasting freshness.
- ④ ActiveSmart™ technology maintains the ideal temperature to help keep food fresher for longer.
- ⑤ Internal ice maker delivers fresh ice on demand.
- ⑥ Spacious bottom freezer with full extension drawers gives easy access to frozen goods.
- ⑦ Full-width drawers and flexible shelving support easy organisation.
- ⑧ Premium materials including solid glass shelving and stainless detailing.
- ⑨ Reversible door hinge for flexible installation.



RF178WRNJX1

The models shown in this Planning Guide may not be available in all markets and are subject to change at any time. Product specifications may vary from those shown. This Planning Guide should not be used as installation guidance for any product. Further information is required to safely and correctly install the products featured here. Specific installation guidance will be available with the product on delivery and on our website fisherpaykel.com



OVERVIEW

With a slimline, counter-depth design and recessed handles, this 18.2 cu ft bottom freezer refrigerator offers a streamlined aesthetic and generous fresh food capacity. A 70:30 fridge-freezer split, dual humidity bins, and ActiveSmart™ technology help keep food fresher for longer, while flexible shelving supports easy organisation.

PRODUCTS*

RF178WRNX1

18.2 cu ft Series 5 Refrigerator Freezer. Stainless Steel

*Some models may not be available in all markets, please check fisherpaykel.com for more information.

FEATURES

- ① Slimline, counter-depth design with a bottom freezer.
- ② 70:30 fridge-to-freezer split for generous fresh food capacity.
- ③ Dual humidity bins preserve fruits and vegetables in ideal conditions for lasting freshness.
- ④ ActiveSmart™ technology maintains the ideal temperature to help keep food fresher for longer.
- ⑤ Spacious bottom freezer with full extension drawers gives easy access to frozen goods.
- ⑥ Full-width drawers and flexible shelving support easy organisation.
- ⑦ Premium materials including solid glass shelving and stainless detailing.
- ⑧ Reversible door hinge for flexible installation.



RF178WRNX1

The models shown in this Planning Guide may not be available in all markets and are subject to change at any time. Product specifications may vary from those shown. This Planning Guide should not be used as installation guidance for any product. Further information is required to safely and correctly install the products featured here. Specific installation guidance will be available with the product on delivery and on our website fisherpaykel.com

DESIGN CHOICES

DESIGN PLANNING | FRENCH DOOR REFRIGERATOR FREEZER

FRENCH DOOR REFRIGERATOR FREEZER



Model		Finish
① RF178ANUX1	32" French Door Refrigerator Freezer with Ice & Water	Stainless Steel
② RF178ANJX1	32" French Door Refrigerator Freezer with Ice	Stainless Steel
③ RF178ANX1	32" French Door Refrigerator Freezer	Stainless Steel

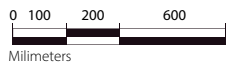
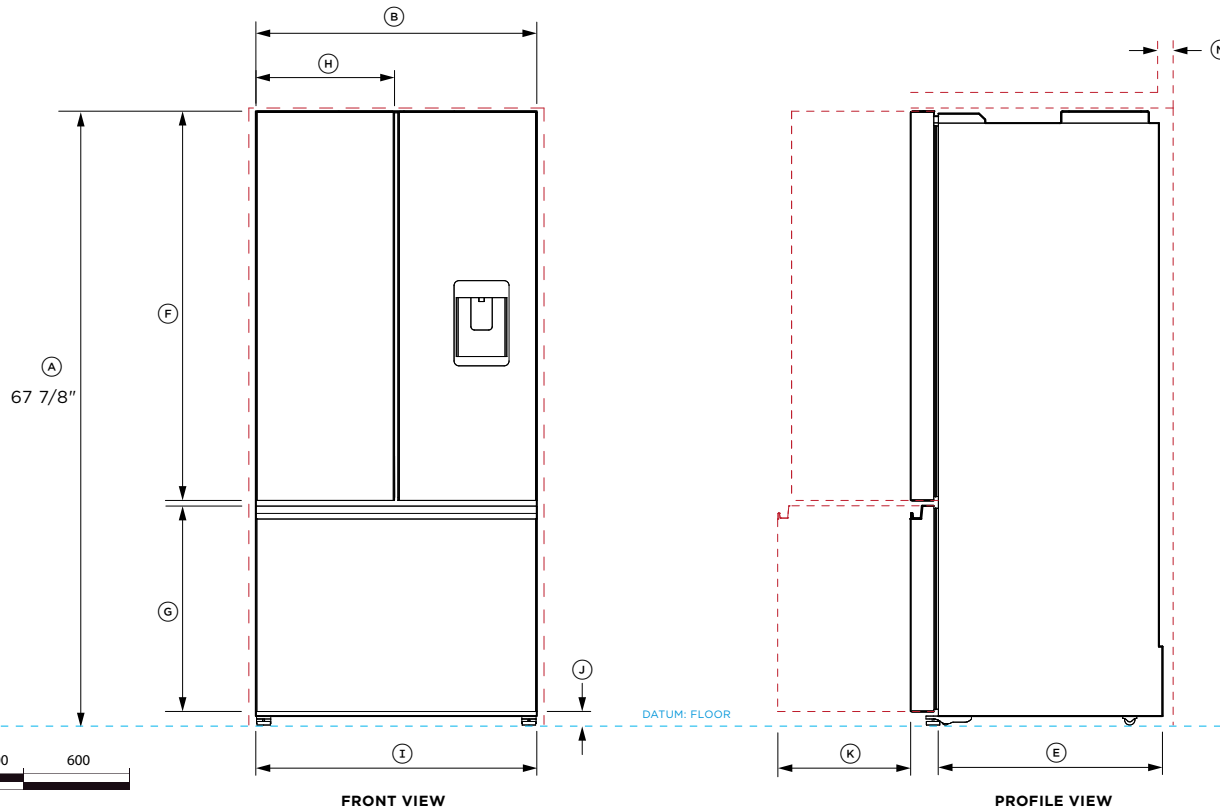
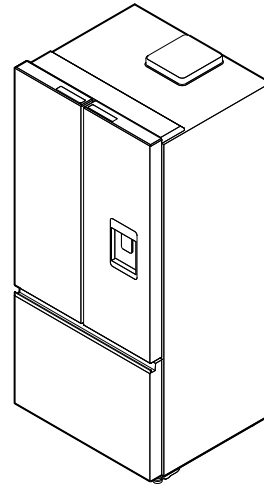
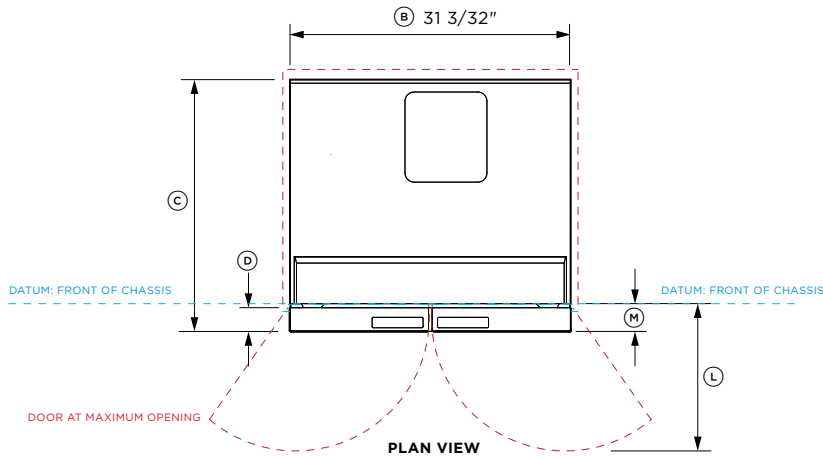
REFRIGERATOR FREEZER



Model		Finish
④ RF178WRNUX1	32" Refrigerator Freezer with Ice & Water	Stainless Steel
⑤ RF178WRNJX1	32" Refrigerator Freezer with Ice	Stainless Steel
⑥ RF178WRNX1	32" Refrigerator Freezer	Stainless Steel

The models shown in this Planning Guide may not be available in all markets and are subject to change at any time. Product specifications may vary from those shown. This Planning Guide should not be used as installation guidance for any product. Further information is required to safely and correctly install the products featured here. Specific installation guidance will be available with the product on delivery and on our website fisherpaykel.com

DATA SHEETS



Model no:
RF178ANUX1

Product Dimensions	in	mm
(A) Overall height of product	67 7/8	1725
(B) Overall width of chassis	31 3/32	790
(C) Overall depth of product	27 27/32	707
(D) Overall depth of door	2 19/32	66
(E) Depth of chassis	24 3/4	629

Door Dimensions	in	mm
(F) Height of door	43 1/8	1095
(G) Height of drawer	22 3/4	578
(H) Width of door	15 11/32	390
(I) Width of drawer	31 3/32	790
(J) Door panel to floor	1 1/2	38

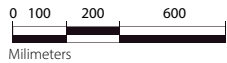
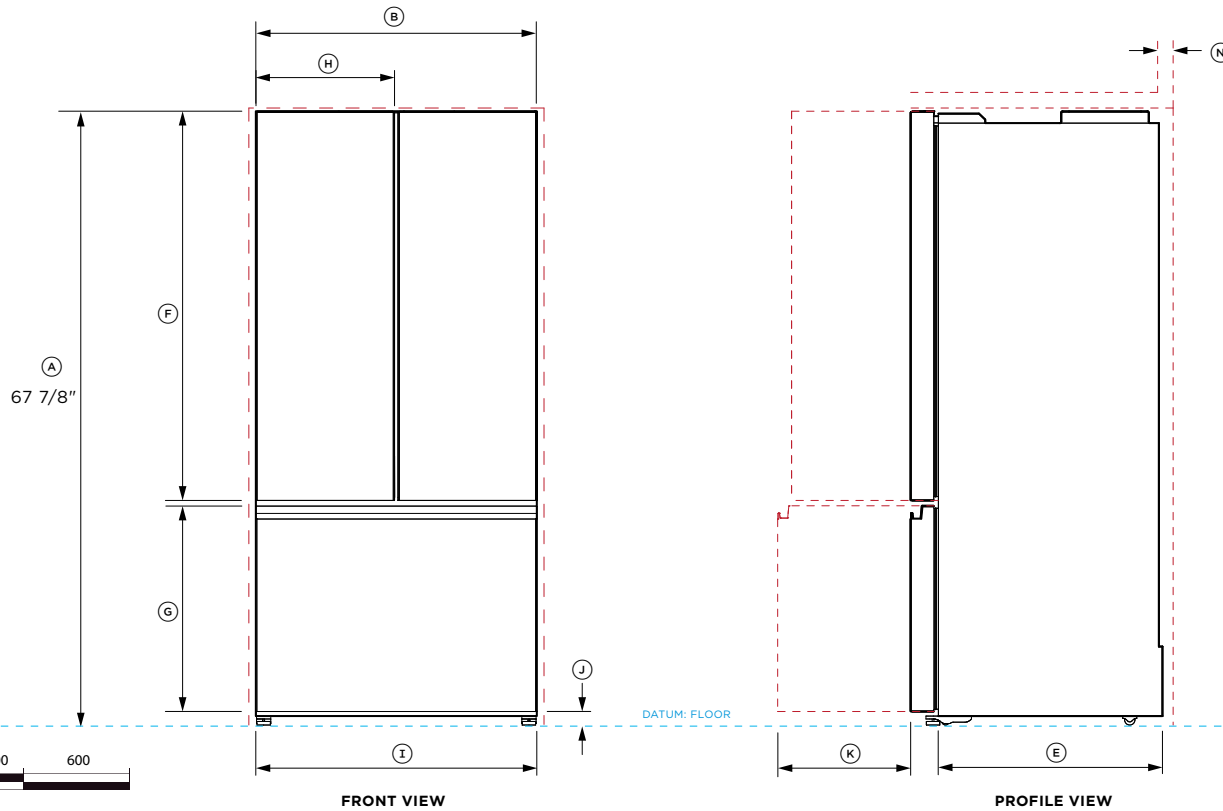
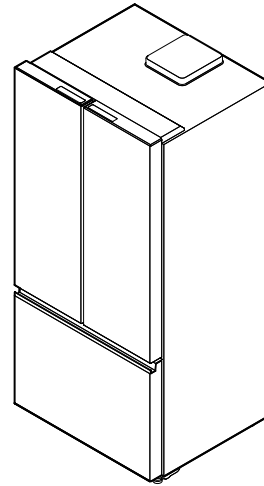
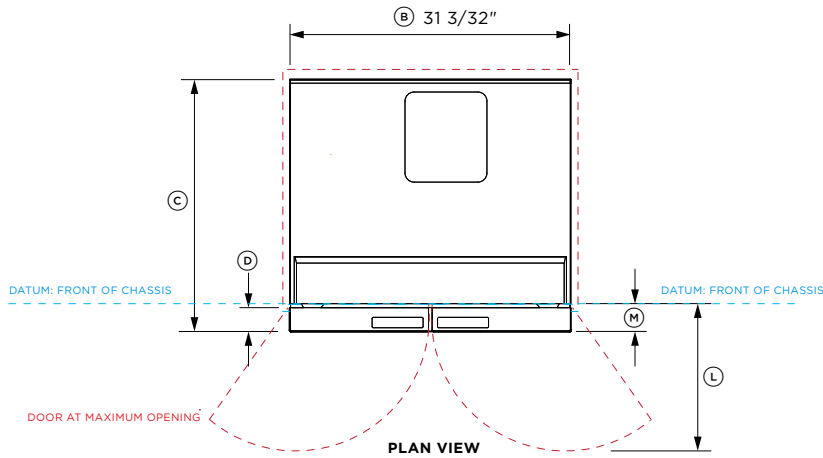
Door/Drawer Opening Dimensions	in	mm
(K) Depth of drawer (open)	14 3/4	375
(L) Depth of door (max opening) from front of panel***	15 7/8	403
(M) Depth of door to front of chassis	3 1/16	78

Minimum Clearances	in	mm
(N) Vent cavity*	2	50
Minimum clearance to chassis side**	25/32	20
Minimum rear clearance	1 3/16	30

*Venting cavity must be included either directly over the refrigerator or around an overhead cupboard. Check the Venting Specifications page for details.
 **Does not include door opening.
 ***Assumes minimum side clearance of 25/32".

----- INDICATES CABINETRY / PRODUCT DATUM
 - - - - - INDICATES CABINETRY CLEARANCES
 - · - · - INDICATES CUTOUT

IMPORTANT NOTE: Throughout this guide, dimensions may vary by ±2mm (1/16"). Please read the installation manual for detailed information on installing the product. For full installation instructions & specifications visit fisherpaykel.com



Model no:
RF178ANX1,
RF178ANJX1

Product Dimensions	in	mm
(A) Overall height of product	67 7/8	1725
(B) Overall width of chassis	31 3/32	790
(C) Overall depth of product	27 27/32	707
(D) Overall depth of door	2 19/32	66
(E) Depth of chassis	24 3/4	629

Door Dimensions	in	mm
(F) Height of door	43 1/8	1095
(G) Height of drawer	22 3/4	578
(H) Width of door	15 11/32	390
(I) Width of drawer	31 3/32	790
(J) Door panel to floor	1 1/2	38

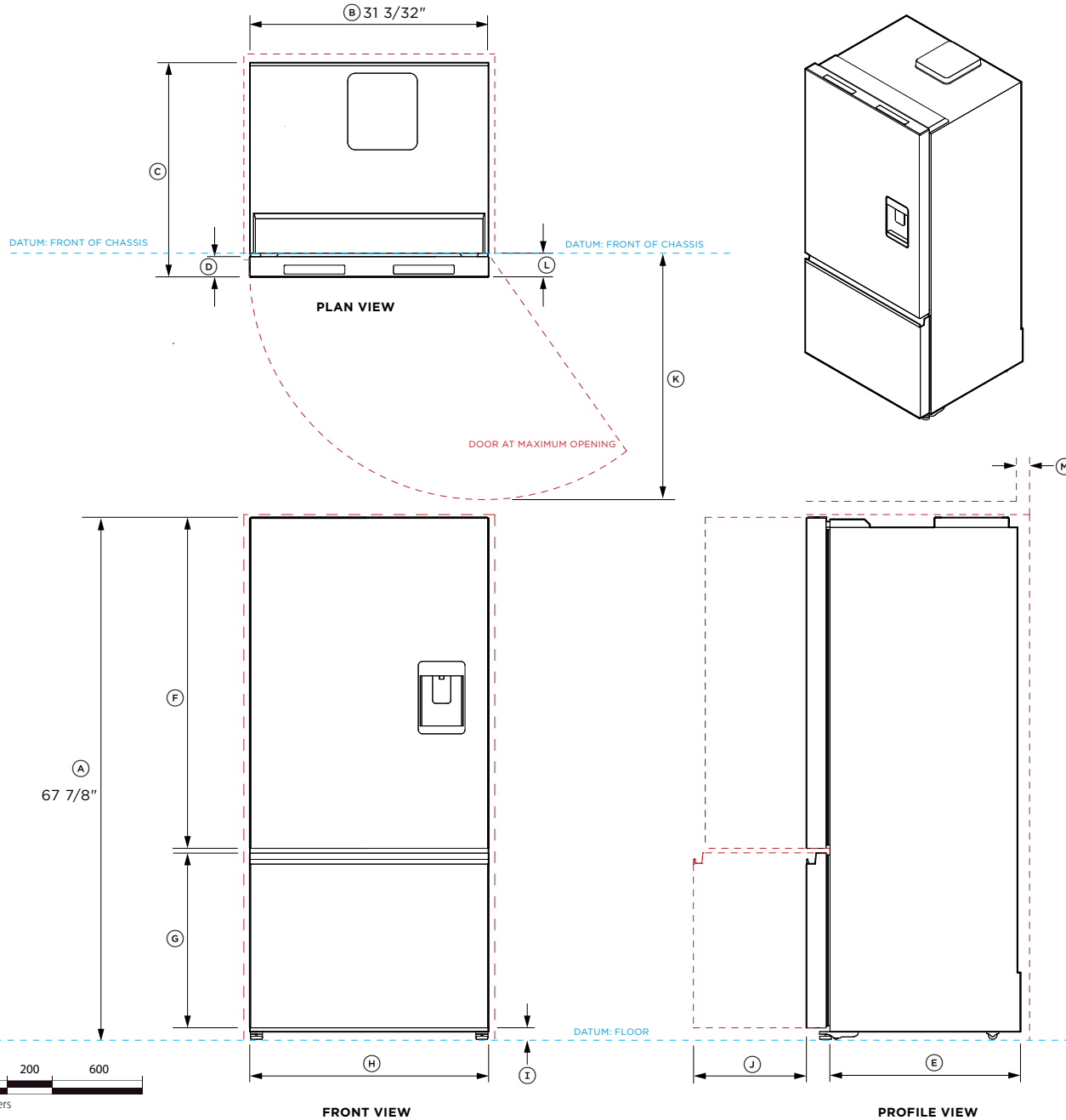
Door/Drawer Opening Dimensions	in	mm
(K) Depth of drawer (open)	14 3/4	375
(L) Depth of door (max opening) from front of panel***	15 7/8	403
(M) Depth of door to front of chassis	3 1/16	78

Minimum Clearances	in	mm
(N) Vent cavity*	2	50
Minimum clearance to chassis side**	25/32	20
Minimum rear clearance	1 3/16	30

*Vent cavity must be included either directly over the refrigerator or around an overhead cupboard. Check the Venting Specifications page for details.
 **Does not include door opening.
 ***Assumes minimum side clearance of 25/32".

----- INDICATES CABINETRY / PRODUCT DATUM
 - - - - - INDICATES CABINETRY CLEARANCES
 - · - · - INDICATES CUTOUT

IMPORTANT NOTE: Throughout this guide, dimensions may vary by ±2mm (1/16"). Please read the installation manual for detailed information on installing the product. For full installation instructions & specifications visit fisherpaykel.com



Model no:
RF178WRNUX1

Product Dimensions	in	mm
(A) Overall height of product	67 7/8	1725
(B) Overall width of chassis	31 3/32	790
(C) Overall depth of product	27 27/32	707
(D) Overall depth of door	2 19/32	66
(E) Depth of chassis	24 3/4	629

Door Dimensions	in	mm
(F) Height of door	43 1/8	1095
(G) Height of drawer	22 3/4	578
(H) Width of door and drawer	31 3/32	790
(I) Door panel to floor	1 1/2	38

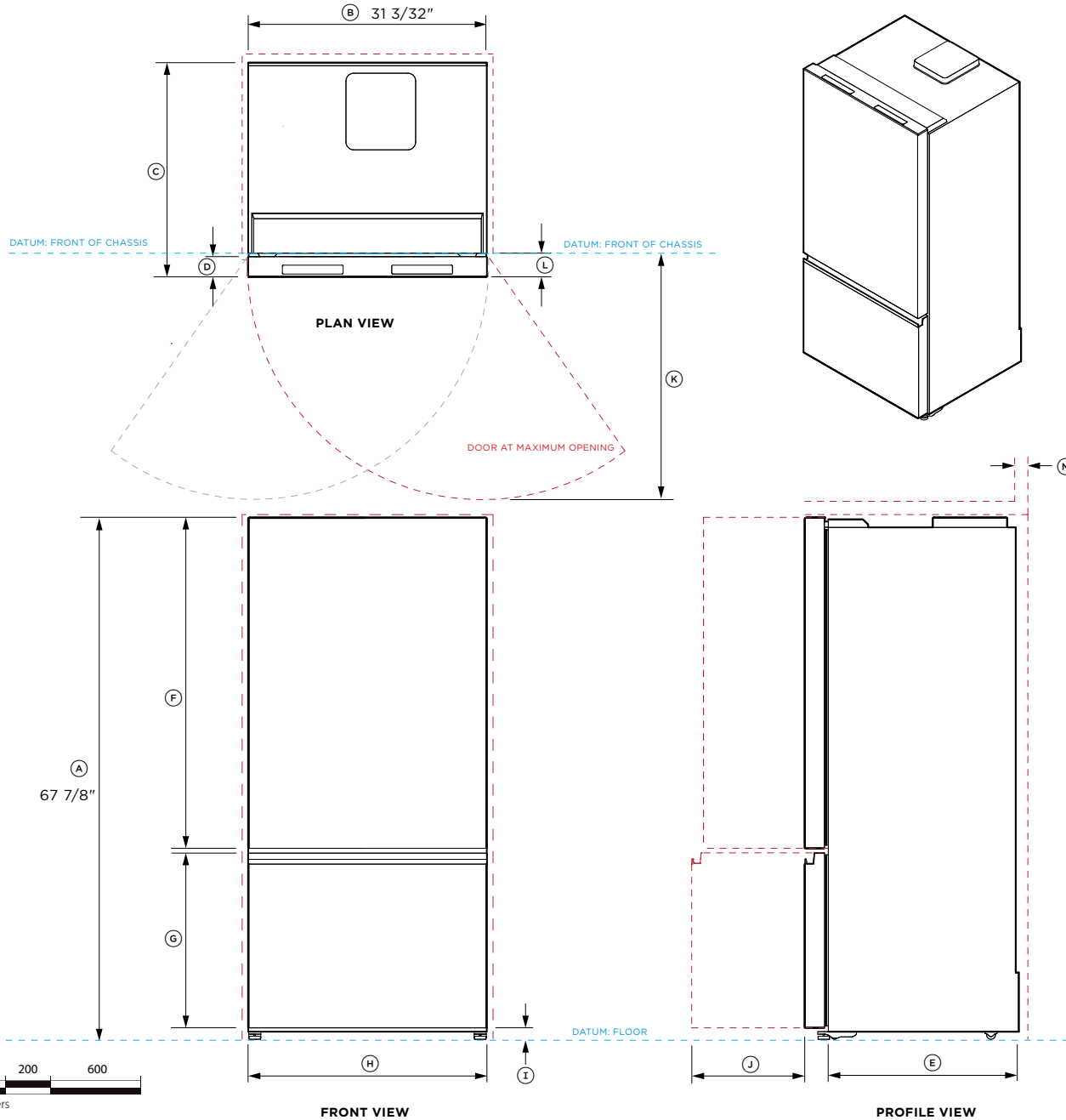
Door/Drawer Opening Dimensions	in	mm
(J) Depth of drawer (open)	14 3/4	375
(K) Depth of door (max opening) from front of panel***	15 7/8	803
(L) Depth of door to front of chassis	3 1/16	78

Minimum Clearances	in	mm
(M) Vent cavity*	2	50
Minimum clearance to chassis side**	25/32	20
Minimum rear clearance	1 3/16	30

*Vent cavity must be included either directly over the refrigerator or around an overhead cupboard. Check the Venting Specifications page for details.
 **Does not include door opening.
 ***Assumes minimum side clearance of 25/32".

----- INDICATES CABINETRY / PRODUCT DATUM
 - - - - - INDICATES CABINETRY CLEARANCES
 - · - · - INDICATES CUTOUT

IMPORTANT NOTE: Throughout this guide, dimensions may vary by ±2mm (1/16"). Please read the installation manual for detailed information on installing the product. For full installation instructions & specifications visit fisherpaykel.com



Model no:

RF178WRNX1
RF178WRNJX1

Hinges are reversible for left or right installation

Product Dimensions

	in	mm
(A) Overall height of product	67 7/8	1725
(B) Overall width of chassis	31 3/32	790
(C) Overall depth of product	27 27/32	707
(D) Overall depth of door	2 19/32	66
(E) Depth of chassis	24 3/4	629

Door Dimensions

	in	mm
(F) Height of door	43 1/8	1095
(G) Height of drawer	22 3/4	578
(H) Width of door and drawer	31 3/32	790
(I) Door panel to floor	1 1/2	38

Door/Drawer Opening Dimensions

	in	mm
(J) Depth of drawer (open)	14 3/4	375
(K) Depth of door (max opening) from front of panel***	15 7/8	803
(L) Depth of door to front of chassis	3 1/16	78

Minimum Clearances

	in	mm
(M) Vent cavity*	2	50
Minimum clearance to chassis side**	25/32	20
Minimum rear clearance	1 3/16	30

*Vent cavity must be included either directly over the refrigerator or around an overhead cupboard. Check the Venting Specifications page for details.

**Does not include door opening.

***Assumes minimum side clearance of 25/32".

Note: Door hinges are reversible and allow for either left-hand or right-hand installation. A hinging kit is included.

----- INDICATES CABINETRY / PRODUCT DATUM

----- INDICATES CABINETRY CLEARANCES

----- INDICATES CUTOUT

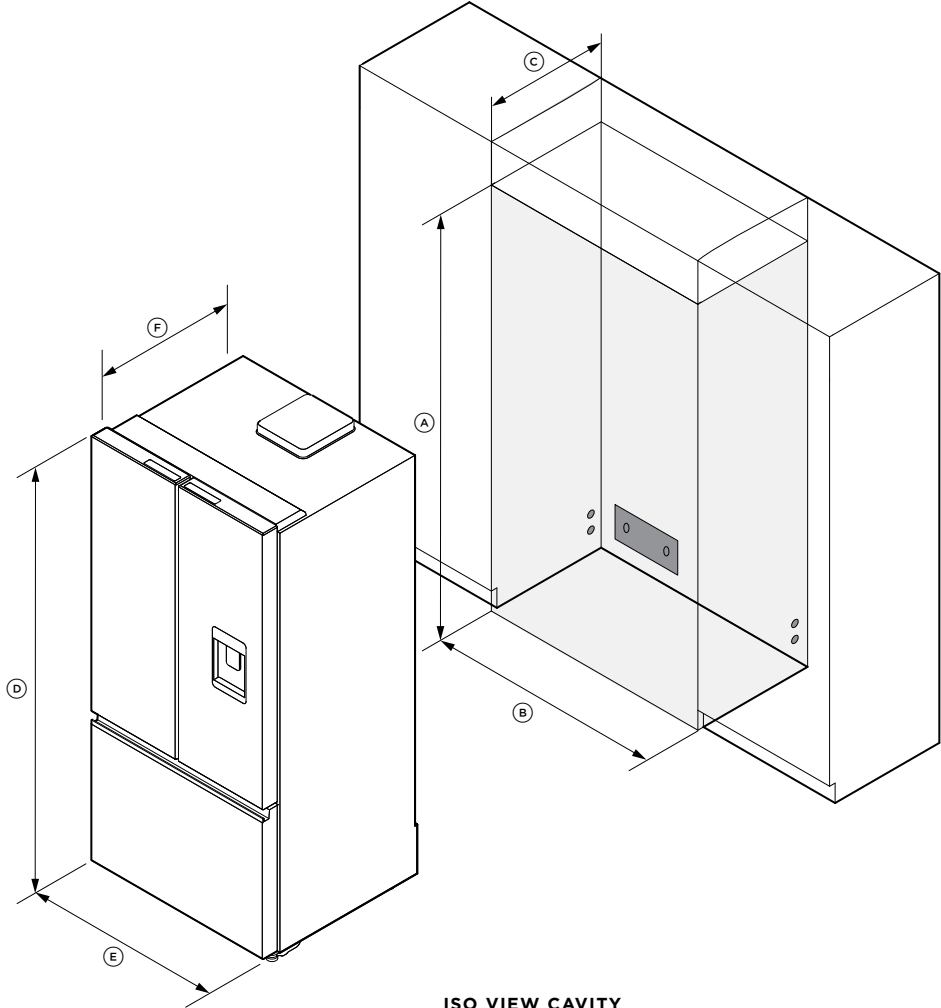
IMPORTANT NOTE: Throughout this guide, dimensions may vary by ±2mm (1/16"). Please read the installation manual for detailed information on installing the product. For full installation instructions & specifications visit fisherpaykel.com

PLANNING CONSIDERATIONS

CAVITY SPECIFICATIONS

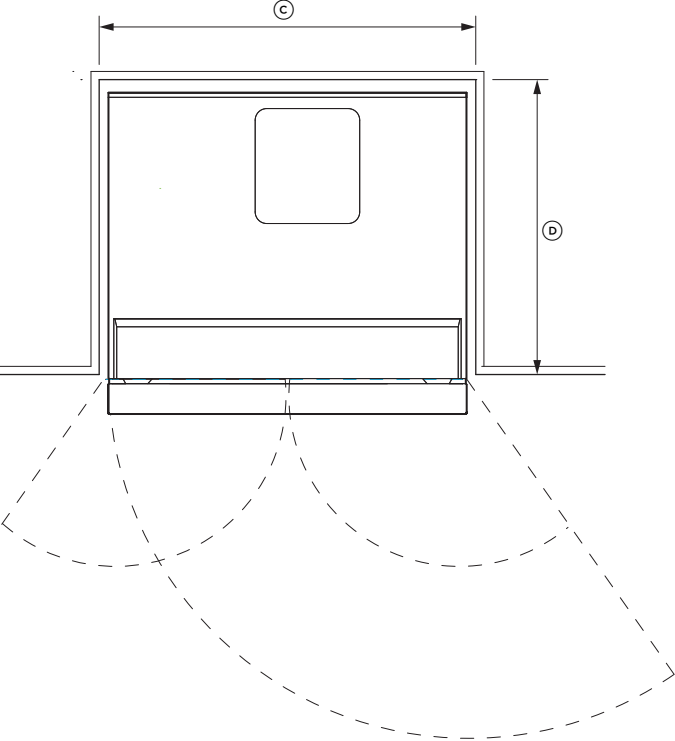
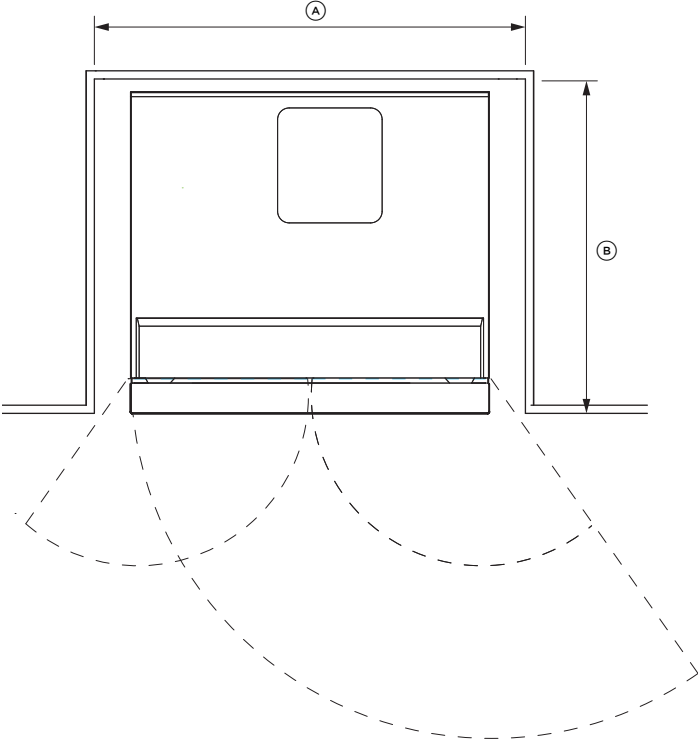
Dimensions		in	mm
(A)	Minimum cavity height*	68 5/16	1735
(B)	Minimum cavity width		
	Flush to door - maximum opening	37 13/32	950
	Flush to chassis - maximum opening	32 11/16	830
(C)	Minimum cavity depth**		
	Flush to door - maximum opening	29	737
	Flush to chassis - maximum opening	25 19/32	650
(D)	Product height	67 7/8	1725
(E)	Product width	31 3/32	790
(F)	Product depth	27 27/32	707

*The minimum cabinet gap above door panels is 3/8"
 **Water and electrical connections must not protrude from the wall if located behind the refrigerator.



ISO VIEW CAVITY

The models shown in this Planning Guide may not be available in all markets and are subject to change at any time. Product specifications may vary from those shown. This Planning Guide should not be used as installation guidance for any product. Further information is required to safely and correctly install the products featured here. Specific installation guidance will be available with the product on delivery and on our website fisherpaykel.com



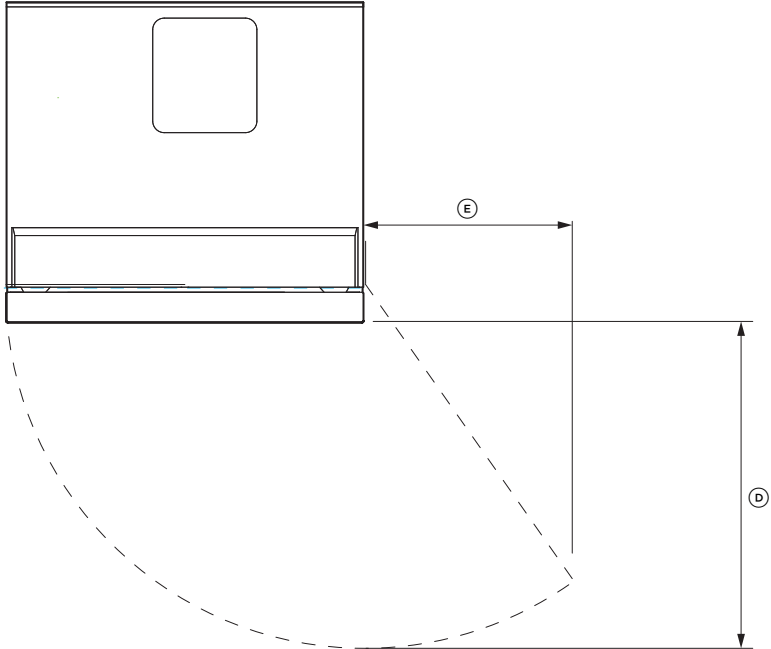
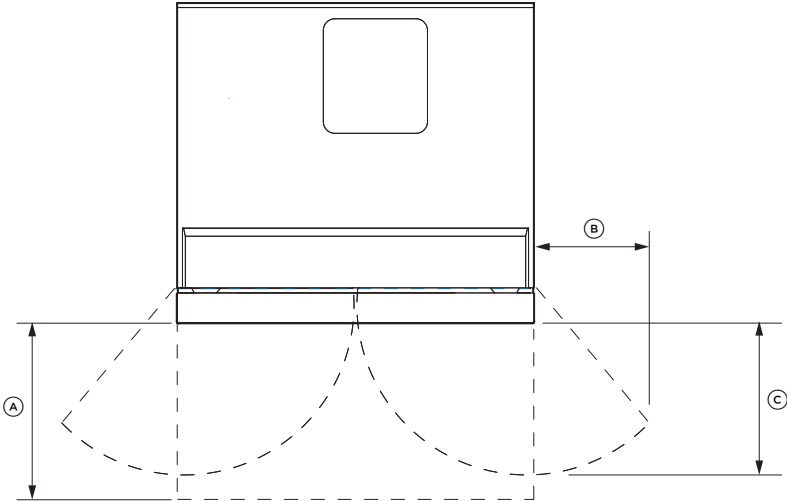
FLUSH TO DOOR - MAXIMUM OPENING

Dimensions	in	mm
Ⓐ Minimum cavity width	37 13/32	950
Ⓑ Minimum cavity depth	29	737

FLUSH TO CHASSIS - MAXIMUM OPENING

Dimensions	in	mm
Ⓒ Minimum cavity width	32 11/16	830
Ⓓ Minimum cavity depth	25 19/32	650

The models shown in this Planning Guide may not be available in all markets and are subject to change at any time. Product specifications may vary from those shown. This Planning Guide should not be used as installation guidance for any product. Further information is required to safely and correctly install the products featured here. Specific installation guidance will be available with the product on delivery and on our website fisherpaykel.com



FRENCH DOOR REFRIGERATOR FREEZER

Dimensions	Maximum Opening	in	mm
Ⓐ	Drawer open clearance	14 3/4	375
Ⓑ	Door open distance from chassis	10 1/32	255
Ⓒ	Door open clearance	13 7/16	341

REFRIGERATOR FREEZER

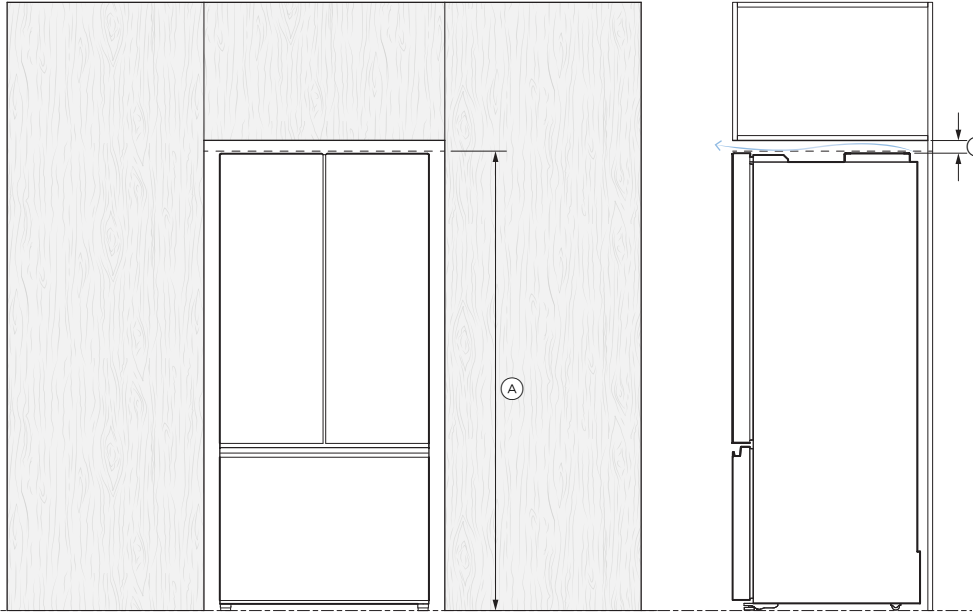
Dimensions	Maximum Opening	in	mm
Ⓓ	Door open clearance	28 11/32	720
Ⓔ	Door open distance from chassis	18 3/16	462

The models shown in this Planning Guide may not be available in all markets and are subject to change at any time. Product specifications may vary from those shown. This Planning Guide should not be used as installation guidance for any product. Further information is required to safely and correctly install the products featured here. Specific installation guidance will be available with the product on delivery and on our website fisherpaykel.com

DESIGN PLANNING | VENTING SPECIFICATIONS

VENTING

A 2" vent is required above the refrigerator or around an upper cupboard.



VENTING ABOVE REFRIGERATOR FREEZER

Dimensions	in	mm
Ⓐ Minimum cavity height	68 5/16	1735
Ⓑ Minimum vent	2	50

VENTING ABOVE UPPER CUPBOARD

Dimensions	in	mm
Ⓒ Minimum cavity height	68 5/16	1735
Ⓓ Minimum vent	2	50
Ⓔ Minimum vent	2	50

The models shown in this Planning Guide may not be available in all markets and are subject to change at any time. Product specifications may vary from those shown. This Planning Guide should not be used as installation guidance for any product. Further information is required to safely and correctly install the products featured here. Specific installation guidance will be available with the product on delivery and on our website fisherpaykel.com

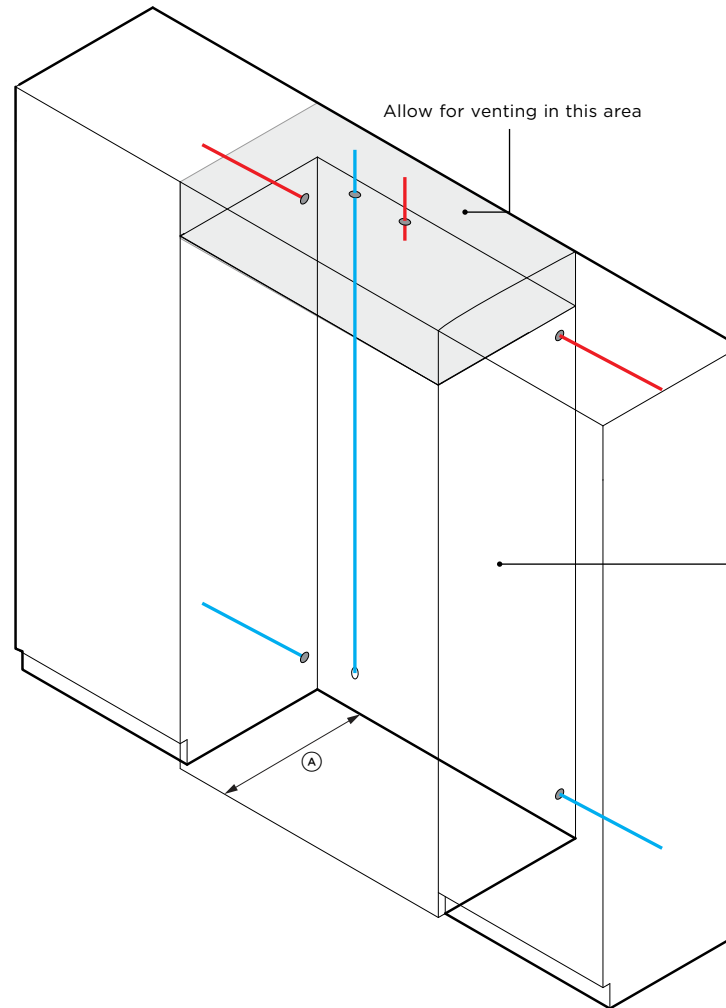
SERVICE SPECIFICATIONS

Electrical and water connections should be located in an adjacent cabinet to either side, or above the refrigerator cavity.

Ensure that the power and water connection is accessible after installation.

Cavity Dimensions		in	mm
Ⓐ	Minimum cavity depth*		
	Flush to door	29	737
	Flush to chassis	25 19/32	650

*For minimum cavity depths with surrounding cabinetry, water and electrical connections must not protrude from the wall if located behind the refrigerator.
 Allow for a 3 5/32" (80mm) bend radius for the water hose.



Minimum cavity depth:
 If water and power connections are located on the wall behind the refrigerator, they must be recessed into the wall.
 Allow for a 3 5/32" (80mm) bend radius for the water hose.

**ISO VIEW - CAVITY
 HOSE & ELECTRICAL ROUTING OPTIONS**

The models shown in this Planning Guide may not be available in all markets and are subject to change at any time. Product specifications may vary from those shown. This Planning Guide should not be used as installation guidance for any product. Further information is required to safely and correctly install the products featured here. Specific installation guidance will be available with the product on delivery and on our website fisherpaykel.com

SERVICES

Electrical / Plumbing Specifications

RF178ANUX1 French Door Refrigerator Freezer
RF178ANJX1

Specifications

Electrical

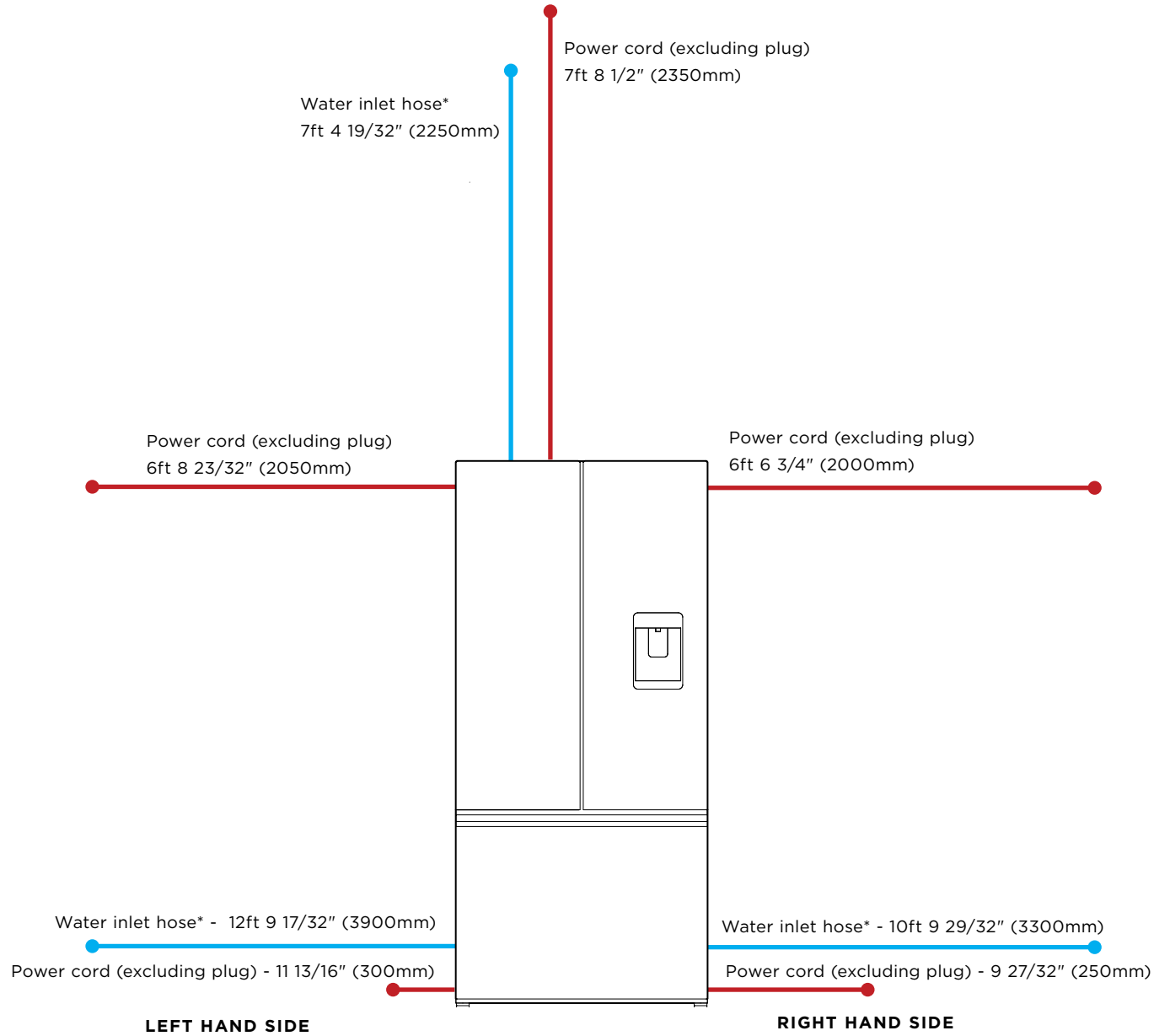
Supply	115V, 60Hz
Service	10 A circuit

Plumbing

Water Supply	1/4" LLDPE piping
Pressure	Min 150 kPa (22 psi) Max 827 kPa (120 psi) @ 68°F (20°C)

*Water inlet hose dimensions apply to Ice & Water models only.

Connections may be located in an adjacent cabinet to either side of the refrigerator or above the refrigerator cavity.

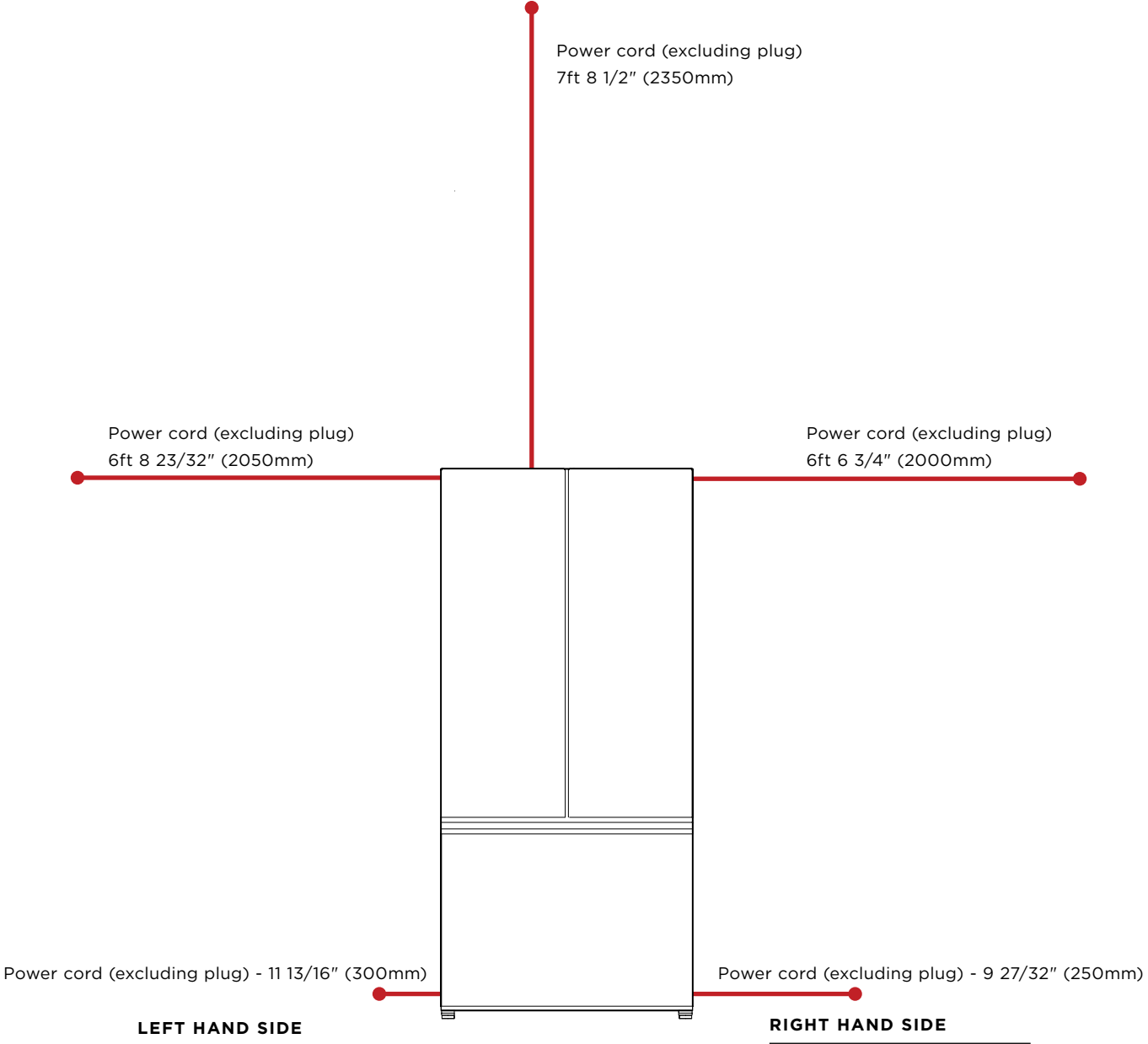


The models shown in this Planning Guide may not be available in all markets and are subject to change at any time. Product specifications may vary from those shown. This Planning Guide should not be used as installation guidance for any product. Further information is required to safely and correctly install the products featured here. Specific installation guidance will be available with the product on delivery and on our website fisherpaykel.com

Electrical / Plumbing Specifications

RF178ANX1	French Door Refrigerator Freezer
Specifications	
Electrical	
Supply	115V, 60Hz
Service	10 A circuit

Connections may be located in an adjacent cabinet to either side of the refrigerator or above the refrigerator cavity.



The models shown in this Planning Guide may not be available in all markets and are subject to change at any time. Product specifications may vary from those shown. This Planning Guide should not be used as installation guidance for any product. Further information is required to safely and correctly install the products featured here. Specific installation guidance will be available with the product on delivery and on our website fisherpaykel.com

DESIGN PLANNING | RF178WRNUX1, RF178WRNJX1

Electrical / Plumbing Specifications

RF178WRNUX1 Refrigerator Freezer
RF178WRNJX1

Specifications

Electrical

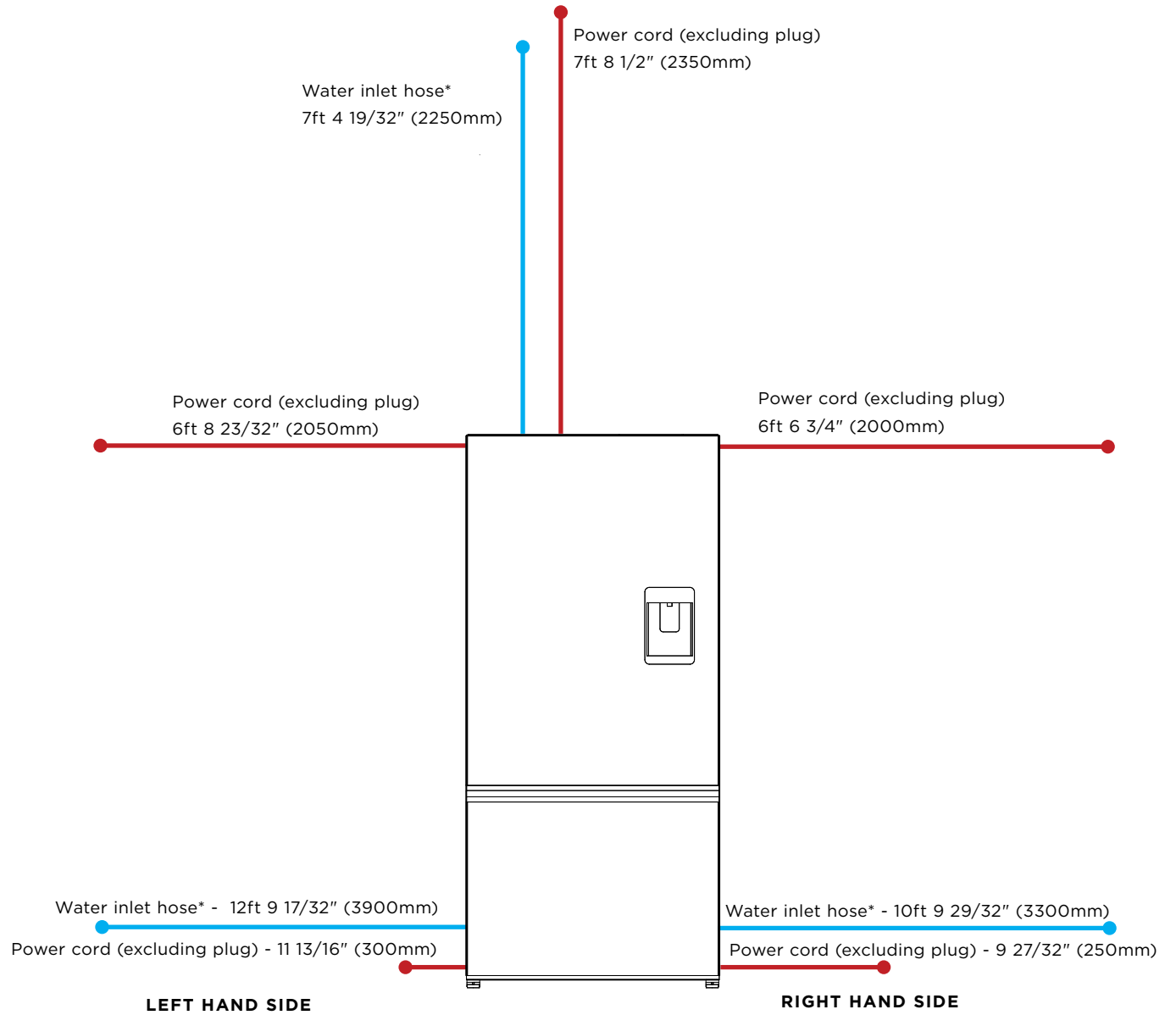
Supply	115V, 60Hz
Service	10 A circuit

Plumbing

Water Supply	1/4" LLDPE piping
Pressure	Min 150 kPa (22 psi) Max 827 kPa (120 psi) @ 68°F (20°C)

*Water inlet hose dimensions apply to Ice & Water models only.

Connections may be located in an adjacent cabinet to either side of the refrigerator or above the refrigerator cavity.



The models shown in this Planning Guide may not be available in all markets and are subject to change at any time. Product specifications may vary from those shown. This Planning Guide should not be used as installation guidance for any product. Further information is required to safely and correctly install the products featured here. Specific installation guidance will be available with the product on delivery and on our website fisherpaykel.com

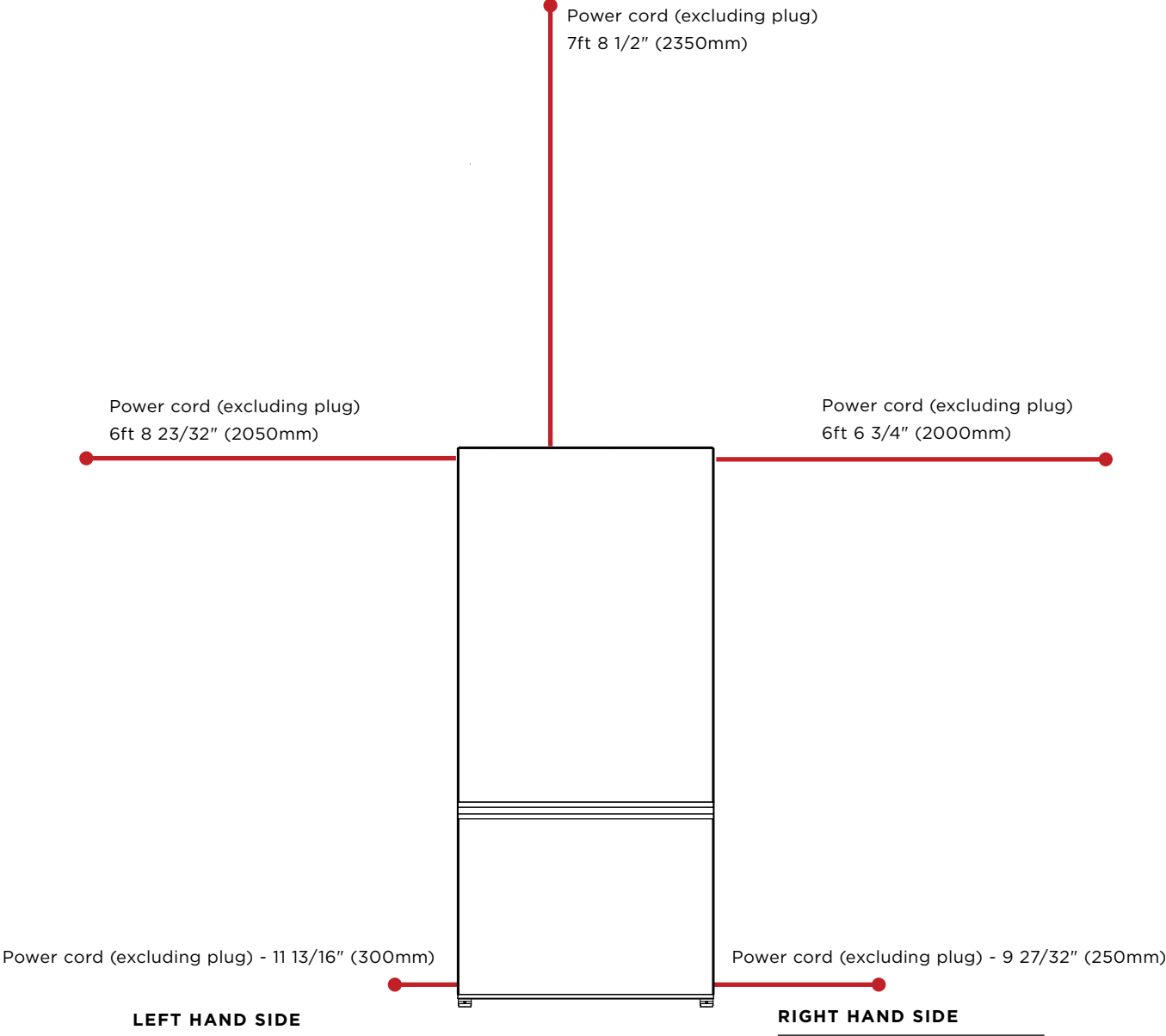
Electrical / Plumbing Specifications

RF178WRNX1 Refrigerator Freezer

Specifications

Electrical	
Supply	115V, 60Hz
Service	10 A circuit

Connections may be located in an adjacent cabinet to either side of the refrigerator or above the refrigerator cavity.



The models shown in this Planning Guide may not be available in all markets and are subject to change at any time. Product specifications may vary from those shown. This Planning Guide should not be used as installation guidance for any product. Further information is required to safely and correctly install the products featured here. Specific installation guidance will be available with the product on delivery and on our website fisherpaykel.com

