

**60CM CONTEMPORARY OVENS**

---

# PLANNING GUIDE

---

**SERIES 5 PYROLYTIC OVEN** | OB60SBCPGX5, OB60SBCPGB5

**SERIES 5 OVEN** | OB60SBCGX5, OB60SBCGB5

**INTRODUCTION**

This comprehensive planning guide provides you with the framework and tools to achieve your desired design outcome with Fisher & Paykel appliances. In this guide, you will find a range of conceptual, detailed, and dimensional product information to bring your ideas to life and create spaces that truly reflect your vision.

**SUPPORT**

For additional design planning and installation support please contact the Fisher & Paykel design support team.  
**designsupport@fisherpaykel.com**

**NOTES**

The models shown in this Planning Guide may not be available in all markets and are subject to change at any time. Refer to our website [fisherpaykel.com](http://fisherpaykel.com) for the latest document version. Product specifications may vary from those shown.  
 This Planning Guide should not be used as installation guidance for any product. Specific installation guidance will be available with the product on delivery and on our website.

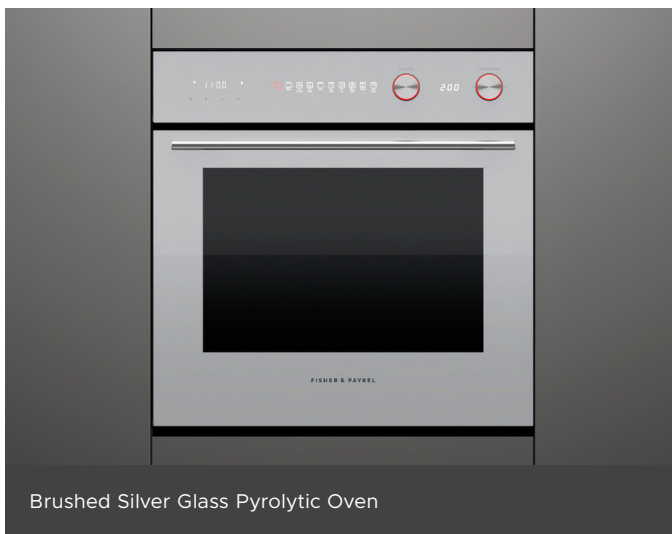
CONCEPT DESIGN	PAGE
SPECIFICATION GUIDE	
Pyrolytic Oven	4
Pyrolytic Oven Specification	5
Oven	6
Oven Specification	7

DEVELOPED AND DETAILED DESIGN	PAGE
DATA SHEETS	
Pyrolytic Oven	9
Oven	10

DEVELOPED AND DETAILED DESIGN	PAGE
-------------------------------	------

# **SPECIFICATION GUIDE**

## SERIES 5



**OVERVIEW**

Designed to be distinctive and timeless, this Contemporary oven complements a wide range of kitchen styles. The pyrolytic self-cleaning function breaks down food residue for an easy clean, while the dial control with illuminated icons offers simple operation of 9 versatile functions including Air Fry and Pizza Bake.

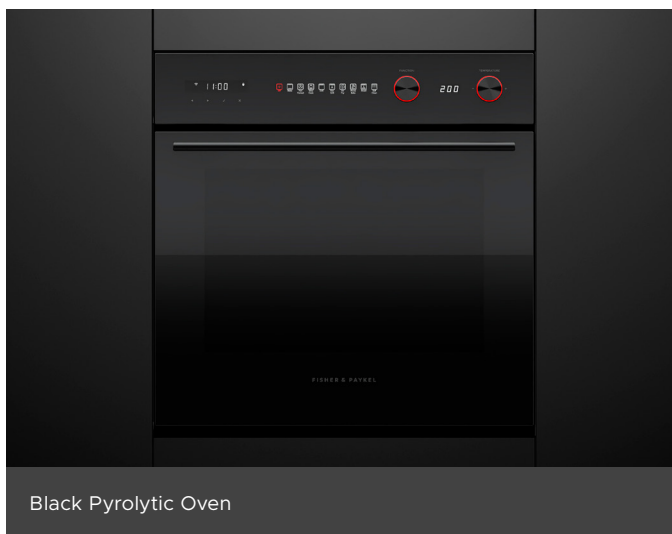
**PRODUCTS**

**OB60SBCPGX5 - Brushed Silver Glass**  
60cm Series 5 Contemporary Pyrolytic Oven

**OB60SBCPGB5 - Black**  
60cm Series 5 Contemporary Pyrolytic Oven

**FEATURES**

- 1 Contemporary style is distinctive and timeless to complement a wide range of kitchen styles
- 2 Self-cleaning pyrolytic function breaks down food residue for an easy clean
- 3 Generous 72L useable capacity
- 4 Dial control with illuminated icons for simple operation
- 5 Even heat distribution thanks to AeroTech™ technology
- 6 9 versatile functions including Air Fry and Pizza Bake



**SERIES & STYLE**

Series 5  
Contemporary

**ACCESSORIES**

- 1 Pyro-proof Side Ladders
- 2 Wire Shelf
- 3 Multi-functional Air Fry Tray
- 4 Roasting Dish

The models shown in this Planning Guide may not be available in all markets and are subject to change at any time. Product specifications may vary from those shown. This Planning Guide should not be used as installation guidance for any product. Further information is required to safely and correctly install the products featured here. Specific installation guidance will be available with the product on delivery and on our website [fisherpaykel.com](http://fisherpaykel.com)

**SPECIFICATIONS**

**MODEL NUMBER**

OB60SBCPGX5 60cm Series 5 Contemporary Pyrolytic Oven - Brushed Silver Glass

OB60SBCPGB5 60cm Series 5 Contemporary Pyrolytic Oven - Black

**ELECTRICAL**

Dedicated Circuit (A)	16
Rated Power (W)	2800 - 3300
Supply (Hz)	50
Voltage (V)	220 - 240
Connection	Hard-wired, min 1500mm*

\*The electrician is required to provide a free length of power supply cable extending at least 1500mm in front of the bottom edge of the cavity opening.

Note: For multi-residential installations, use the Rated Power to calculate the demand.

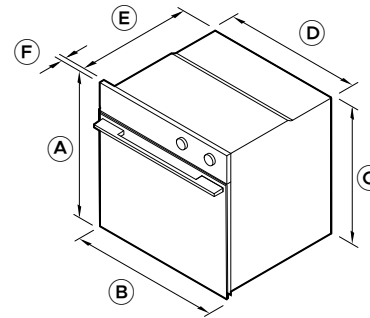
**CAPACITY**

Total Oven capacity 85L

**WEIGHTS**

Packaged 55kg  
Unpackaged 45kg

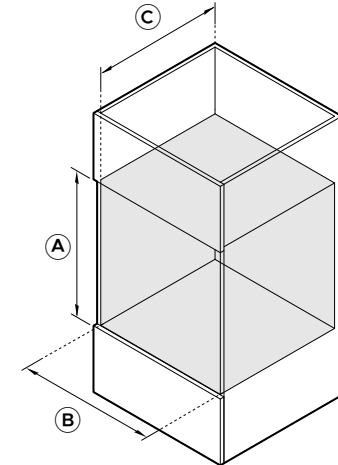
**PRODUCT DIMENSIONS**



ISOMETRIC VIEW

	mm
<b>A</b> Overall product height	598
<b>B</b> Overall product width	596
<b>C</b> Chassis height	575
<b>D</b> Chassis width	556
<b>E</b> Chassis depth	545
<b>F</b> Front frame depth (excludes handle)	20
Door open depth at 90° (from product front)	447

**CAVITY DIMENSIONS**



ISOMETRIC VIEW

	mm
<b>A</b> Cavity height	min 580
<b>B</b> Cavity width	min 560
<b>C</b> Cavity depth (from chassis front datum)	min 550

The models shown in this Planning Guide may not be available in all markets and are subject to change at any time. Product specifications may vary from those shown. This Planning Guide should not be used as installation guidance for any product. Further information is required to safely and correctly install the products featured here. Specific installation guidance will be available with the product on delivery and on our website fisherpaykel.com



Brushed Silver Glass Oven

**OVERVIEW**

Designed to be distinctive and timeless, this Contemporary oven complements a wide range of kitchen styles. The dial control with illuminated icons offers simple operation of 9 versatile functions including Air Fry and Pizza Bake.

**PRODUCTS**

**OB60SBCGX5 - Brushed Silver Glass**  
60cm Series 5 Contemporary Oven

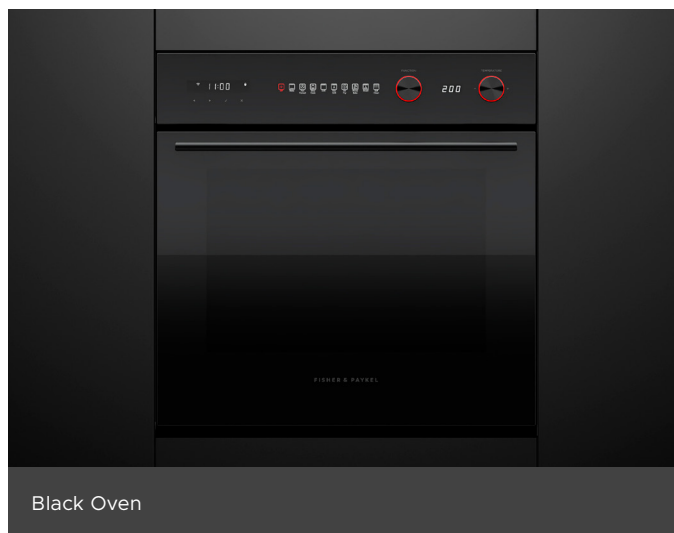
**OB60SBCGB5 - Black**  
60cm Series 5 Contemporary Oven

**SERIES & STYLE**

Series 5  
Contemporary

**FEATURES**

- 1** Contemporary style is distinctive and timeless to complement a wide range of kitchen styles
- 2** Generous 72L useable capacity
- 3** Dial control with illuminated icons for simple operation
- 4** Even heat distribution thanks to AeroTech™ technology
- 5** 9 versatile functions including Air Fry and Pizza Bake



Black Oven

**ACCESSORIES**

- 1** Chrome Side Ladders
- 2** Wire Shelf
- 3** Multi-functional Air Fry Tray
- 4** Roasting Dish

The models shown in this Planning Guide may not be available in all markets and are subject to change at any time. Product specifications may vary from those shown. This Planning Guide should not be used as installation guidance for any product. Further information is required to safely and correctly install the products featured here. Specific installation guidance will be available with the product on delivery and on our website [fisherpaykel.com](http://fisherpaykel.com)

**SPECIFICATIONS**

**MODEL NUMBER**

OB60SBCGX5	60cm Series 5 Contemporary Oven - Brushed Silver Glass
OB60SBCGB5	60cm Series 5 Contemporary Oven - Black

**ELECTRICAL**

Dedicated Circuit (A)	16
Rated Power (W)	2800 - 3300
Supply (Hz)	50
Voltage (V)	220 - 240
Connection	Hard-wired, min 1500mm*

\*The electrician is required to provide a free length of power supply cable extending at least 1500mm in front of the bottom edge of the cavity opening.

Note: For multi-residential installations, use the Rated Power to calculate the demand.

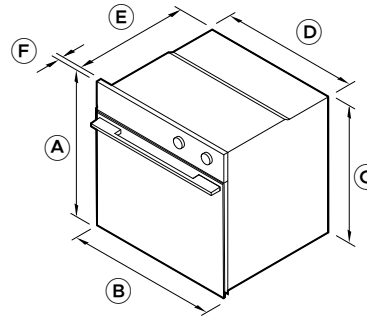
**CAPACITY**

Total Oven capacity	85L
---------------------	-----

**WEIGHTS**

Packaged	55kg
Unpackaged	45kg

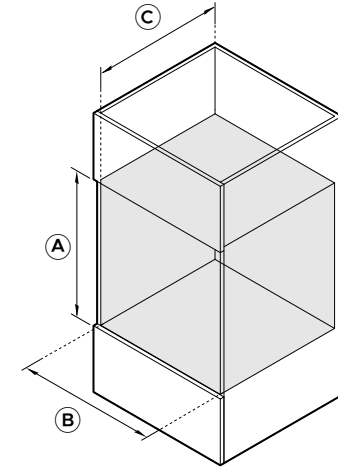
**PRODUCT DIMENSIONS**



ISOMETRIC VIEW

	mm
<b>A</b> Overall product height	598
<b>B</b> Overall product width	596
<b>C</b> Chassis height	575
<b>D</b> Chassis width	556
<b>E</b> Chassis depth	545
<b>F</b> Front frame depth (excludes handle)	20
Door open depth at 90° (from product front)	447

**CAVITY DIMENSIONS**

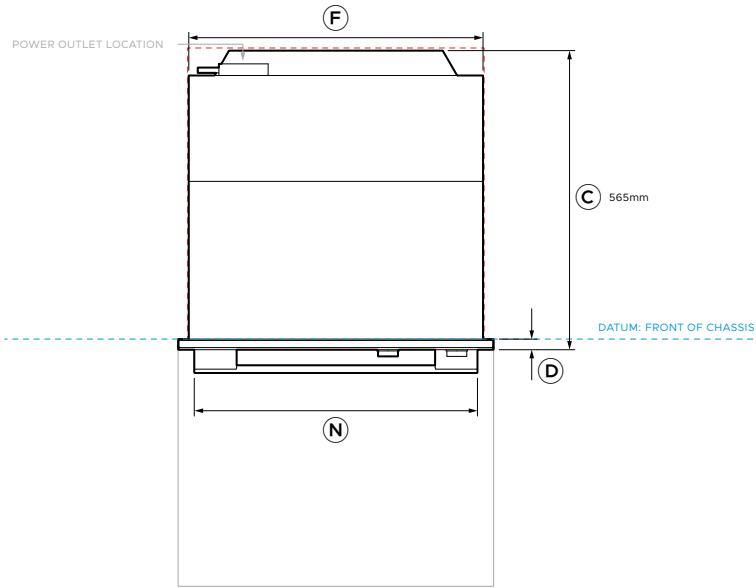


ISOMETRIC VIEW

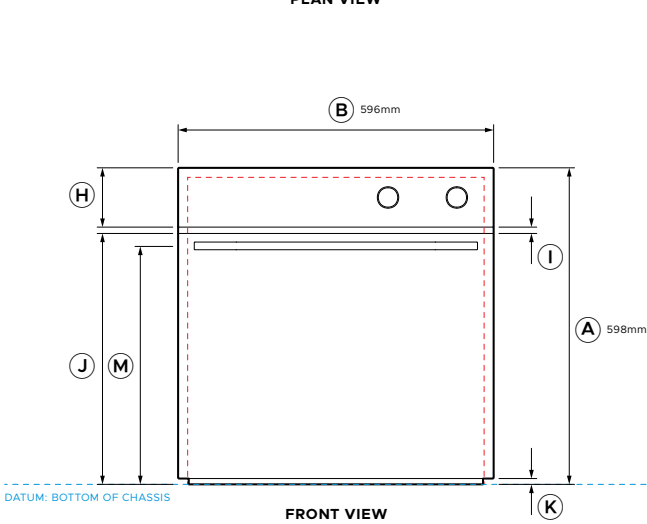
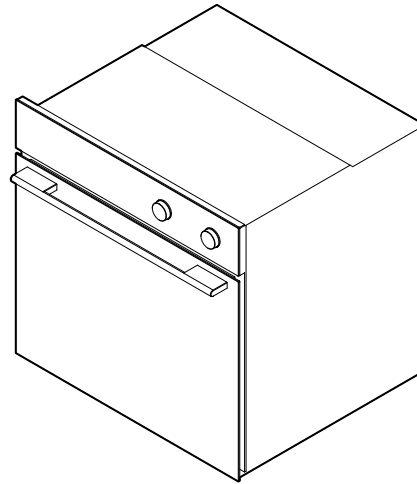
	mm
<b>A</b> Cavity height	min 580
<b>B</b> Cavity width	min 560
<b>C</b> Cavity depth (from chassis front datum)	min 550

The models shown in this Planning Guide may not be available in all markets and are subject to change at any time. Product specifications may vary from those shown. This Planning Guide should not be used as installation guidance for any product. Further information is required to safely and correctly install the products featured here. Specific installation guidance will be available with the product on delivery and on our website fisherpaykel.com

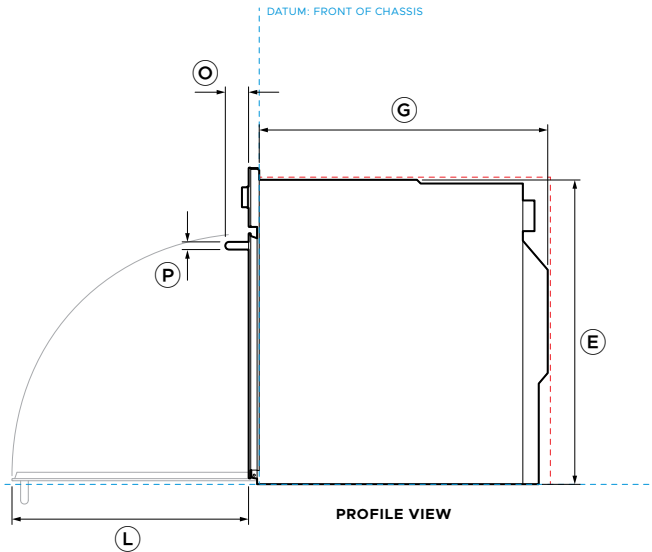
## DATA SHEETS



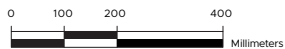
PLAN VIEW



FRONT VIEW



PROFILE VIEW



**Model no:**

<b>OB60SBCPGX5</b>	60cm Series 5 Contemporary Pyrolytic Oven - Brushed Silver Glass
<b>OB60SBCPGB5</b>	60cm Series 5 Contemporary Pyrolytic Oven - Black

**Product Dimensions**

	mm
<b>A</b> Overall product height	598
<b>B</b> Overall product width	596
<b>C</b> Overall product depth (excludes handle)	565
<b>D</b> Front frame depth (excludes handle)	20
<b>E</b> Chassis height	575
<b>F</b> Chassis width	556
<b>G</b> Chassis depth	545
<b>H</b> Control panel height	112
<b>I</b> Door-to-control panel gap	12
<b>J</b> Door upper edge height (from chassis base datum)	474
<b>K</b> Door lower edge height (from chassis base datum)	11
<b>L</b> Door open depth at 90° (from product front)	447
<b>M</b> Handle centreline height (from chassis base datum)	450.5
<b>N</b> Handle width	535
<b>O</b> Handle depth (projection)	44
<b>P</b> Handle thickness	15

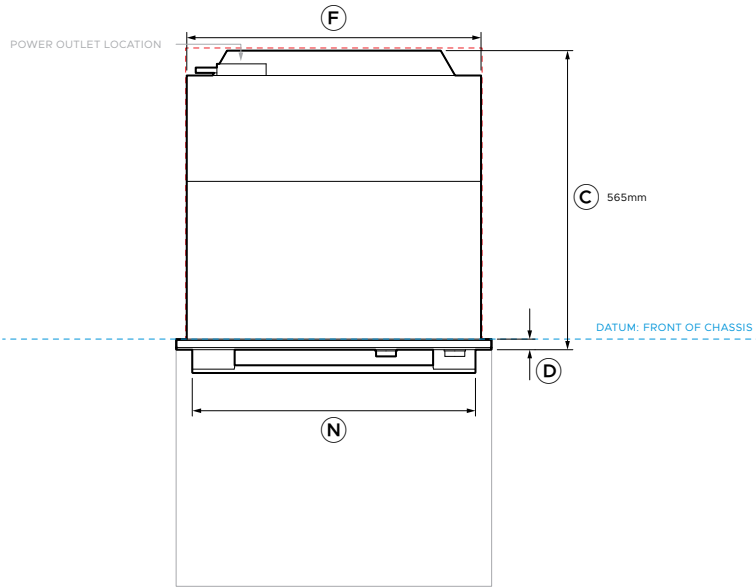
**Minimum Clearances**

	mm
Cavity height	min 580
Cavity width	min 560
Cavity depth (from chassis front datum)	min 550
Front frame clearance - top & sides*	min 2

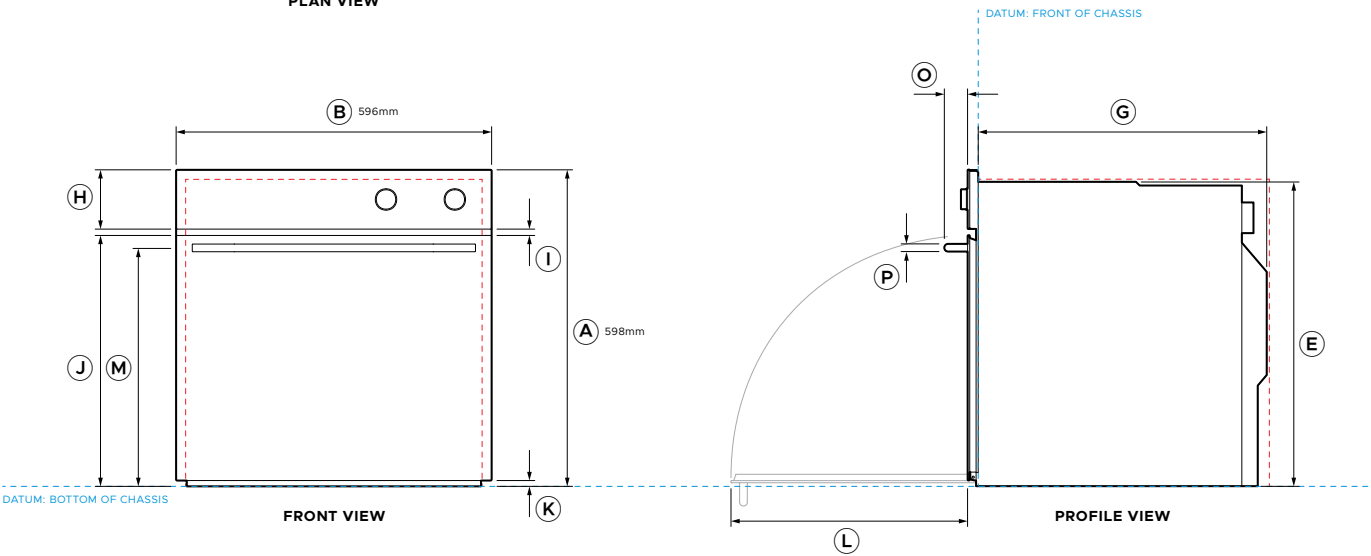
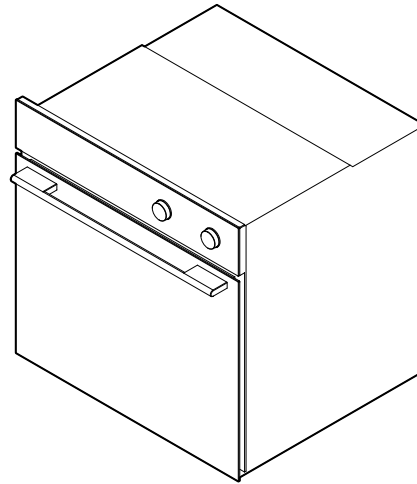
\*Products require no bottom clearance between product to cabinetry front panel or appliance.

----- INDICATES PRODUCT DATUM  
 - - - - - INDICATES CABINETRY CLEARANCES

IMPORTANT NOTE: Throughout this guide, dimensions may vary by ±2mm (1/16"). Please read the installation manual for detailed information on installing the product. For full installation instructions & specifications visit [fisherpaykel.com](http://fisherpaykel.com)



PLAN VIEW



FRONT VIEW

PROFILE VIEW

**Model no:**

<b>OB60SBCGX5</b>	60cm Series 5 Contemporary Oven - Brushed Silver Glass
<b>OB60SBCGB5</b>	60cm Series 5 Contemporary Oven - Black

**Product Dimensions**

	mm
<b>A</b> Overall product height	598
<b>B</b> Overall product width	596
<b>C</b> Overall product depth (excludes handle)	565
<b>D</b> Front frame depth (excludes handle)	20
<b>E</b> Chassis height	575
<b>F</b> Chassis width	556
<b>G</b> Chassis depth	545
<b>H</b> Control panel height	112
<b>I</b> Door-to-control panel gap	12
<b>J</b> Door upper edge height (from chassis base datum)	474
<b>K</b> Door lower edge height (from chassis base datum)	11
<b>L</b> Door open depth at 90° (from product front)	447
<b>M</b> Handle centreline height (from chassis base datum)	450.5
<b>N</b> Handle width	535
<b>O</b> Handle depth (projection)	44
<b>P</b> Handle thickness	15

**Minimum Clearances**

	mm
Cavity height	min 580
Cavity width	min 560
Cavity depth (from chassis front datum)	min 550
Front frame clearance - top & sides*	min 2

\*Products require no bottom clearance between product to cabinetry front panel or appliance.

----- INDICATES PRODUCT DATUM  
 - - - - - INDICATES CABINETRY CLEARANCES

IMPORTANT NOTE: Throughout this guide, dimensions may vary by ±2mm (1/16"). Please read the installation manual for detailed information on installing the product. For full installation instructions & specifications visit [fisherpaykel.com](http://fisherpaykel.com)

