

INTEGRATED TALL DOUBLE DISHDRAWER™

PLANNING GUIDE

SERIES 11 | DD60DTX6I1 | DD60DTX6HI1

INTRODUCTION

This comprehensive planning guide provides you with the framework and tools to achieve your desired design outcome with Fisher & Paykel appliances. In this guide, you will find a range of conceptual, detailed, and dimensional product information to bring your ideas to life and create spaces that truly reflect your vision.

SUPPORT

For additional design planning and installation support please contact the Fisher & Paykel design support team.
designsupport@fisherpaykel.com

NOTES

The models shown in this Planning Guide may not be available in all markets and are subject to change at any time. Refer to our website fisherpaykel.com for the latest document version. Product specifications may vary from those shown. This Planning Guide should not be used as installation guidance for any product. Specific installation guidance will be available with the product on delivery and on our website.

CONTENTS

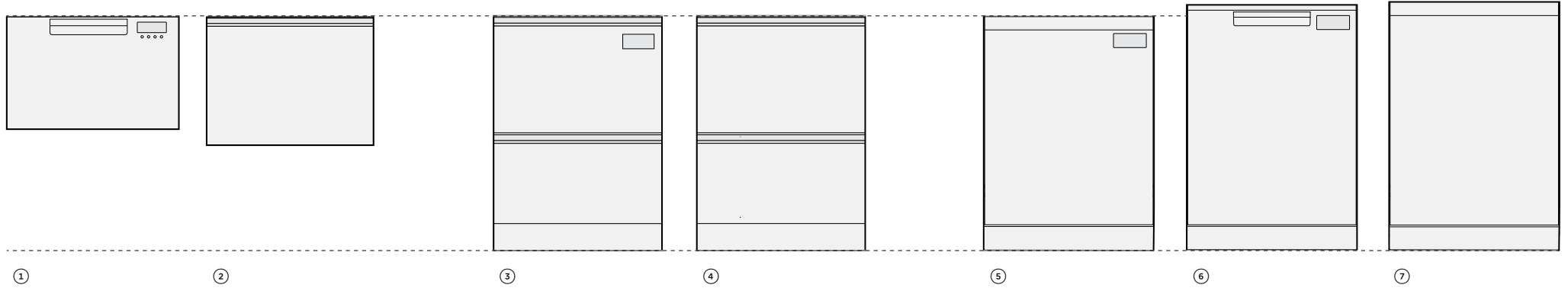
CONCEPT DESIGN		PAGE	DEVELOPED AND DETAILED DESIGN		PAGE	DEVELOPED AND DETAILED DESIGN		PAGE
Contents		2	Specification guide		6	Custom door panel preparation		20
Design choices		3	Specifications		7	Custom panel preparation		21
Pre-finished dishwashers		4	Data sheets		8	Services		22
Integrated dishwashers		5	Dishdrawer™ with pre-finished panels		9	Service placement options		23
			Dishdrawer™ with custom panels		10	Service specifications		24
			Accessories		11	Electrical and plumbing specifications		25
			Handles		12	Data sheets: Handles		26
			Stainless steel panels		13	Contemporary square fine handle		27
			Planning considerations		14	Contemporary round handle		28
			Cavity specifications		15	Classic round handle		29
			Over width cavity specifications		16	Professional round flush handle		30
			Pre-finished toe kick		17			
			Custom toe kick specifications		18			
			Custom panel specifications		19			

DESIGN CHOICES

SINGLE DRAWER

DOUBLE DRAWER

DROP DOOR



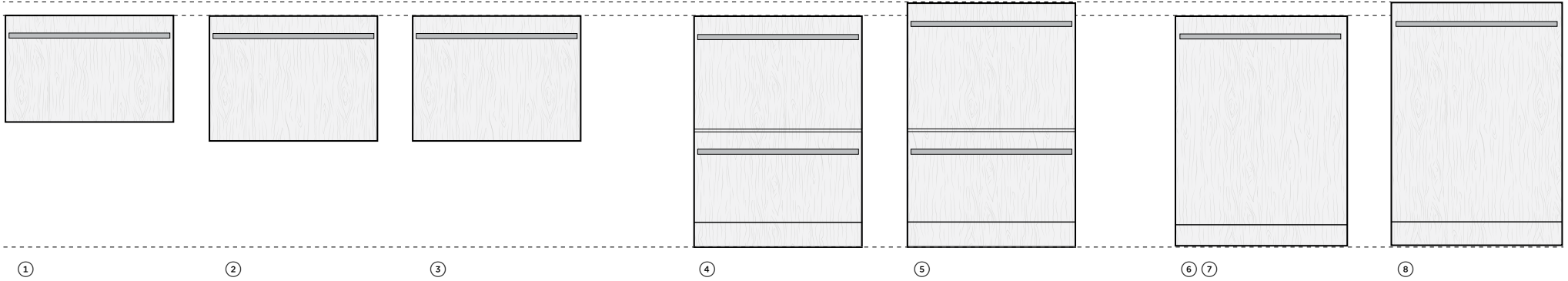
STYLE	MODELS	FINISH	HANDLE STYLE	HEIGHT	WIDTH	DEPTH
① Contemporary Single DishDrawer™ Series 7	DD60SCX9 DD60SAX9	Stainless Steel Stainless Steel	Pocket handle, external control panel	410mm	599mm	573mm
② Contemporary Tall Single DishDrawer™ Series 9	DD60ST4ZB9, DD60ST4HZB9 DD60ST4NB9, DD60ST4HNB9 DD60ST4NX9, DD60ST4HNX9	Black Glass Black Stainless Steel Stainless Steel	Recessed Handle, internal control panel	454mm	599mm	573mm
③ Contemporary Double DishDrawer™ Series 7	DD60D2NB9, DD60D2HNB9 DD60D2NX9, DD60D2HNX9	Black Stainless Steel Stainless Steel	Recessed Handle, external control panel	820-880mm	599mm	573mm
④ Contemporary Double DishDrawer™ Series 9	DD60D4ZB9, DD60D4HZB9 DD60D4NB9, DD60D4HNB9 DD60D4NX9, DD60D4HNX9	Black Glass Black Stainless Steel Stainless Steel	Recessed Handle, internal control panel	820-880mm	599mm	573mm
⑤ Contemporary Built-Under Dishwasher Series 7	DW60UN4B2 DW60UN4X2	Black Stainless Steel Stainless Steel	Recessed Handle, internal control panel	820-880mm	597mm	574mm
⑥ Contemporary Dishwasher Series 7	DW60FC4B2 DW60FC4X2	Black Stainless Steel Stainless Steel	Pocket handle, external control panel	850-895mm	597mm	600mm
⑦ Contemporary Tall Built-Under DishDrawer™ Series 9	DW60UZT4B2 DW60UNT4B2 DW60UNT4X2	Black Glass Black Stainless Steel Stainless Steel	Recessed Handle, internal control panel	857 - 917mm	597mm	574mm

The models shown in this Planning Guide may not be available in all markets and are subject to change at any time. Product specifications may vary from those shown. This Planning Guide should not be used as installation guidance for any product. Further information is required to safely and correctly install the products featured here. Specific installation guidance will be available with the product on delivery and on our website fisherpaykel.com

SINGLE DRAWER

DOUBLE DRAWER

DROP DOOR



STYLE	MODELS	PRE-FINISHED PANEL OPTIONS	HANDLE OPTIONS	HEIGHT	WIDTH	DEPTH
① Integrated Single DishDrawer™ Series 9	DD60SI9 DD60SHI9	Black Stainless Steel, Brushed Stainless Steel	Contemporary, Professional and Classic	410mm	599mm	553mm
② Integrated Tall Single DishDrawer™ Series 9	DD60STI9 DD60STHI9	Black Stainless Steel, Brushed Stainless Steel	Contemporary, Professional and Classic	455mm	599mm	553mm
③ Integrated Tall Single DishDrawer™ Series 11	DD60STX6I1 DD60STX6HI1	Black Stainless Steel, Brushed Stainless Steel	Contemporary, Professional and Classic	455mm	599mm	553mm
④ Integrated Double DishDrawer™ Series 9	DD60DI9 DD60DHI9	Black Stainless Steel, Brushed Stainless Steel	Contemporary, Professional and Classic	820-880mm	599mm	571mm
⑤ Integrated Tall Double DishDrawer™ Series 11	DD60DTX6I1 DD60DTX6HI1	Black Stainless Steel, Brushed Stainless Steel	Contemporary, Professional and Classic	865-925mm	599mm	553mm
⑥ Integrated Built-Under Dishwasher Series 7	DW60U4I2 DW60U4HI2	Black Stainless Steel, Brushed Stainless Steel	Contemporary, Professional and Classic	820-880mm	598mm	554mm
⑦ Integrated Built-Under Dishwasher Series 9	DW60U2I2	Black Stainless Steel, Brushed Stainless Steel	Contemporary, Professional and Classic	820-880mm	598mm	554mm
⑧ Integrated Tall Dishwasher Series 9	DW60UT4I2 DW60UT4HI2	Black Stainless Steel, Stainless Steel	Contemporary, Professional and Classic	857 - 917mm	597mm	554mm

The models shown in this Planning Guide may not be available in all markets and are subject to change at any time. Product specifications may vary from those shown. This Planning Guide should not be used as installation guidance for any product. Further information is required to safely and correctly install the products featured here. Specific installation guidance will be available with the product on delivery and on our website fisherpaykel.com

SPECIFICATION GUIDE

**OVERVIEW**

Install your DishDrawer™ Dishwasher into an existing kitchen space or integrate into kitchen cabinetry. The touch-sensitive control panel is located inside this Integrated model, leaving an uninterrupted exterior that blends seamlessly with surrounding cabinetry.

PRODUCTS**DD60DTX6I1**

Integrated Dishdrawer™, 60cm wide

DD60DTX6HI1

Integrated Dishdrawer™ with water softener, 60cm wide

ACCESSORIES**PRE-FINISHED PANEL ADDD60DTPX**

Brushed stainless steel pre-finished panels

PRE-FINISHED PANEL ADDD60DTPB

Black stainless steel pre-finished panels

HANDLES

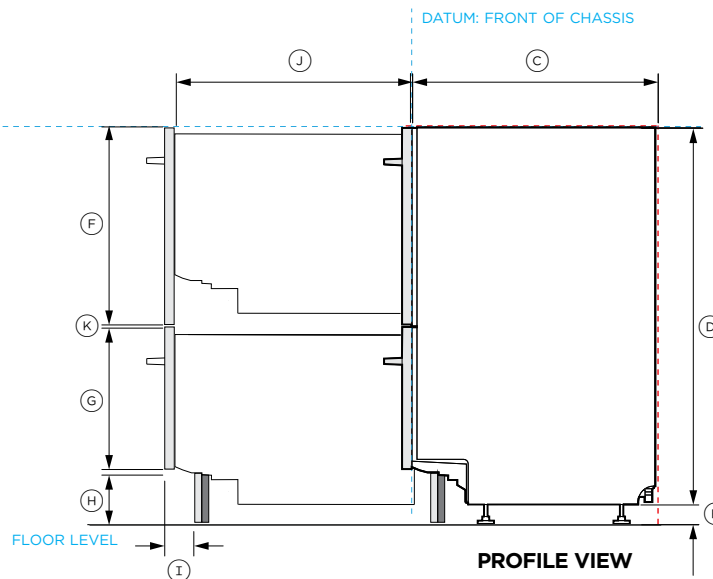
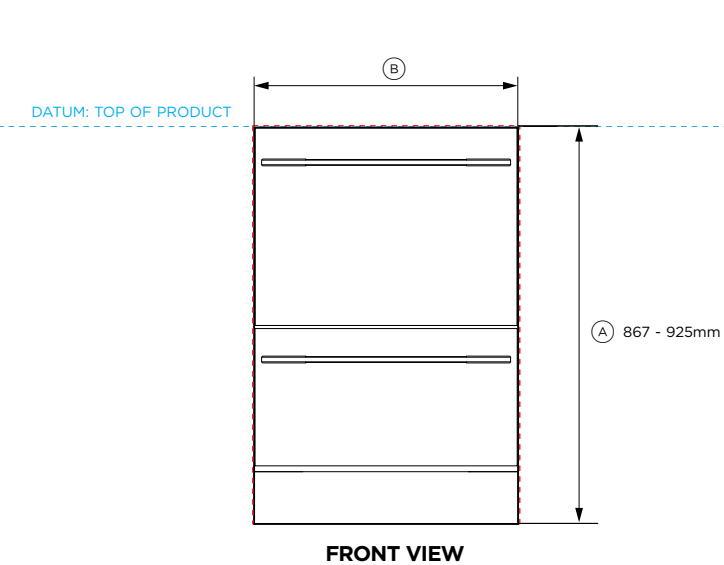
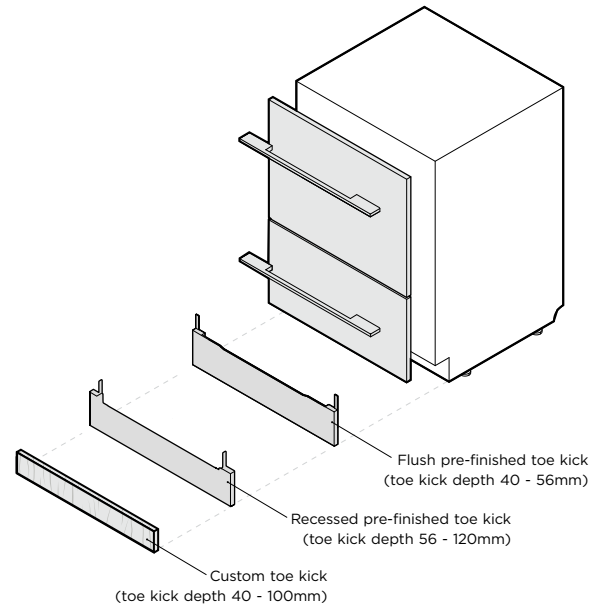
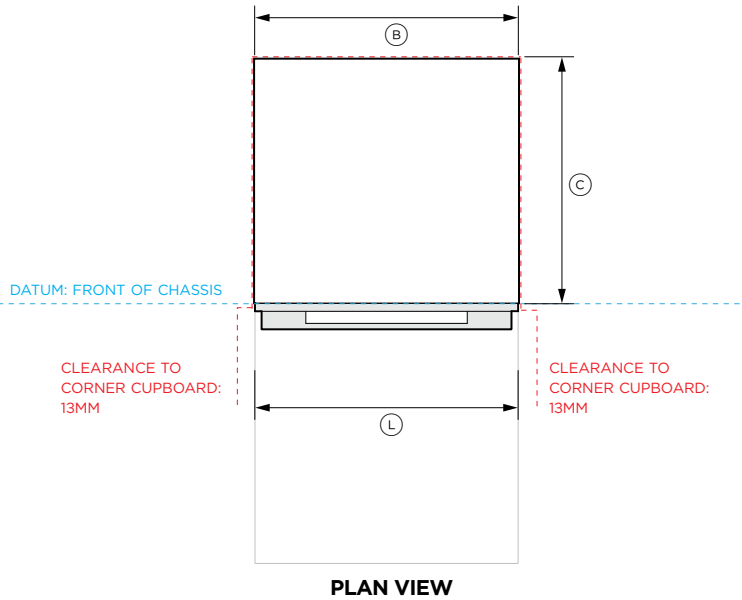
Handles are available for the DishDrawer™ including Contemporary, Professional, and Classic styles. Options include brushed aluminium, black, and stainless steel finishes. Two handle kits are required for double drawer models.

FEATURES

- ① Eight wash programs including Auto, 60min and Glassware, while modifiers such as Sanitize, Dry+ and Quiet provide added wash flexibility. The Quiet wash modifier reduces the noise on some cycles while maintaining performance - perfect for late night washing.
- ② Tall top drawer fits full-size dinner plates up to 310mm, with flexible racking for large cookware.
- ③ Wi-Fi capability and a SmartHQ™ app to see cycle status and notifications.
- ④ Both drawers fit a true half load. Each drawer operates independently, so you can wash one load while stacking the other drawer, or wash simultaneously on separate cycles
- ⑤ For ease-of-use, these DishDrawer™ Dishwashers have a knock to pause function. A knock on the front panel will pause the dishwasher, which can be restarted by using the start button.

DD60DTX6I1, DD60DTX6HI1

DATA SHEETS



Model nos:
DD60DTX6I1 & DD60DTX6HI1
 Shown with Stainless Steel Drawer Panels, ADDD60DTPX
 Available Black Stainless Steel Panels, ADDD60DTPB
 Shown with Contemporary Square Fine Handle, AHD5-OBDD-60

Product includes the following Toe Kick options:
 Flush Pre-Finished Toe Kick
 Recessed Pre-Finished Toe Kick (also used as a Custom toe kick bracket)

Product Dimensions	mm
Ⓐ Overall height*	867 - 925
Ⓑ Overall width of chassis	599
Ⓒ Overall depth of chassis	553
Ⓓ Height of chassis	854
Ⓔ Height of feet*	10 - 70
Ⓕ Height of upper drawer panel - minimum	442
Ⓖ Height of lower drawer panel - minimum	311
Ⓜ Height of toe kick	45-123
Ⓣ Toe kick depth	40-120
Ⓝ Maximum extension of drawer	527
Ⓧ Ventilation gap between drawers	8
Ⓛ Drawer panel width	596

*Depending on adjustment of leveling feet

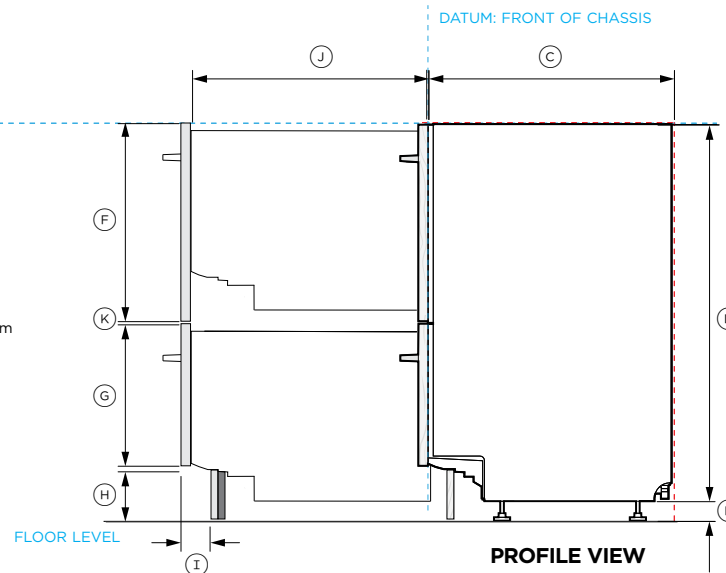
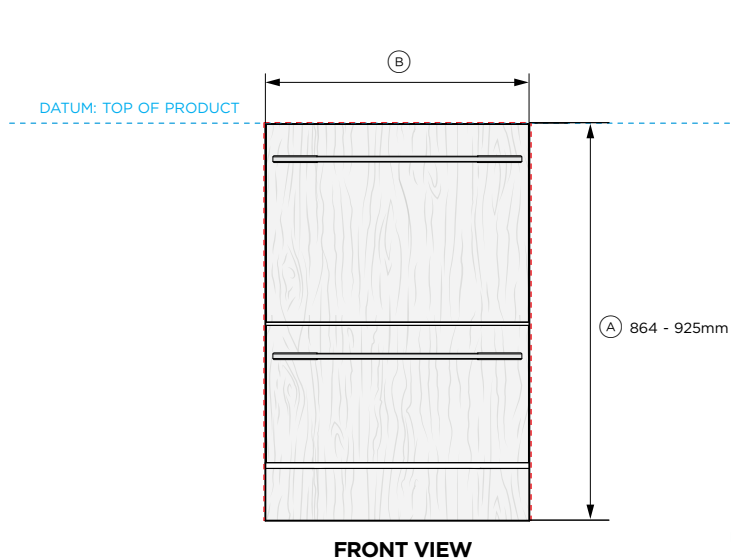
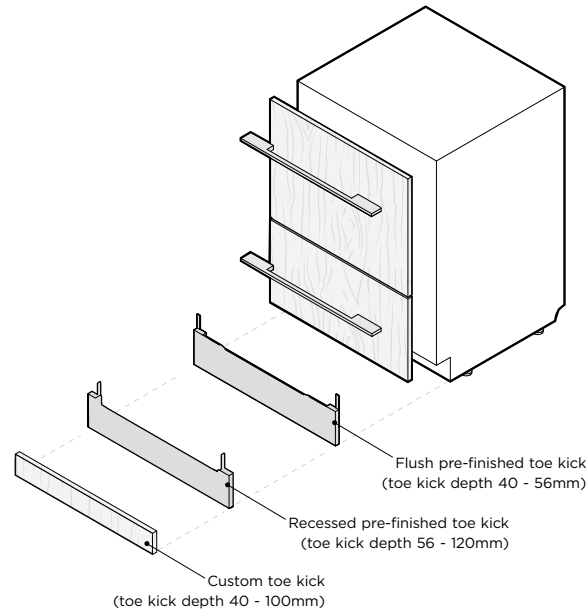
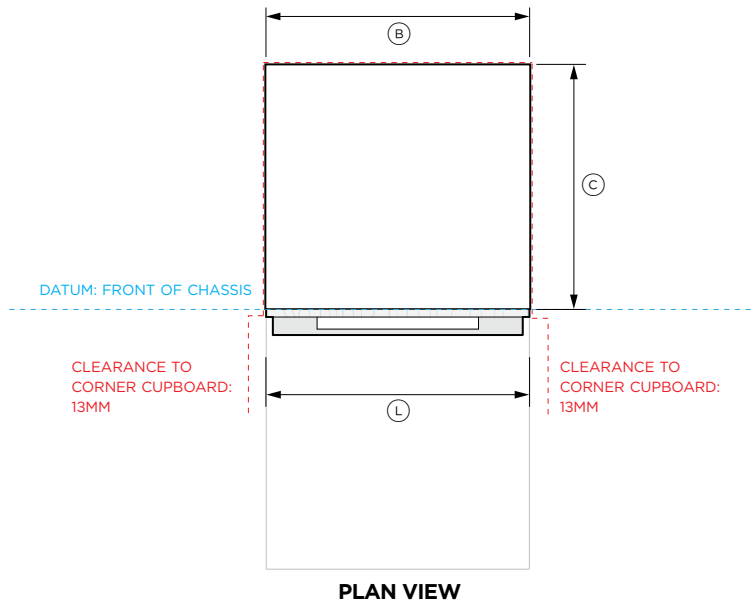
Minimum Clearances	mm
Minimum inside height of cavity*	869
Minimum inside width of cavity	600
Minimum overall depth of cavity (includes panels)	578
Minimum clearance to corner cupboard	13
Minimum clearance to adjacent cupboard door	2
Minimum clearance between drawer panels	8

*Depending on adjustment of leveling feet

INDICATES PRODUCT DATUM -----
 INDICATES CABINETRY CLEARANCES - - - - -

IMPORTANT NOTE: Throughout this guide, dimensions may vary by ±2mm (1/16"). Please read the Installation Guide for detailed information on installing the product. For full installation instructions visit fisherpaykel.com





Model nos:

DD60DTX6I1 & DD60DTX6H1I

Shown with Custom Drawer Panels

Shown with Contemporary Square Fine Handle, AHD5-OBDD-60S

Product includes the following Toe Kick options:

Flush Pre-Finished Toe Kick

Recessed Pre-Finished Toe Kick (also used as a Custom toe kick bracket)

Product Dimensions	mm
Ⓐ Overall height*	867 - 925
Ⓐ Overall width of chassis	599
Ⓒ Overall depth of chassis	553
Ⓓ Height of chassis	854
Ⓔ Height of feet*	10 - 70
Ⓕ Height of upper drawer panel - minimum	442
Ⓖ Height of lower drawer panel - minimum	311
Ⓗ Height of toe kick	45-123
Ⓚ Toe kick depth	40-120
Ⓛ Maximum extension of drawer	527
Ⓜ Ventilation gap between drawers	8
Ⓝ Drawer panel width (custom panels widths can vary to fit adjacent cabinet doors/drawers)	596

*Depending on adjustment of leveling feet

Minimum Clearances	mm
Minimum inside height of cavity*	869
Minimum inside width of cavity	600
Minimum overall depth of cavity**	578
Minimum clearance to corner cupboard	13
Minimum clearance to adjacent cupboard door	2
Minimum clearance between drawer panels	8

*Depending on adjustment of leveling feet

**Assumes 19mm drawer panels on adjacent cabinetry

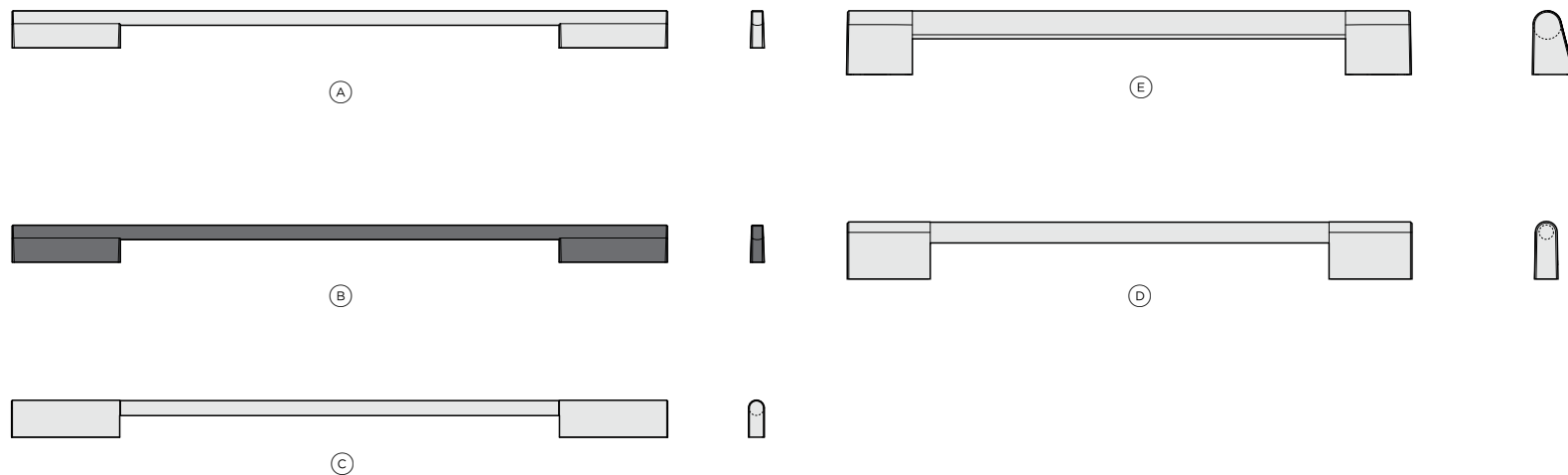
NOTE: Custom drawer panel and toe kicks to be manufactured/fitted by cabinetmaker.

INDICATES PRODUCT DATUM - - - - -
 INDICATES CABINETRY CLEARANCES - - - - -

IMPORTANT NOTE: Throughout this guide, dimensions may vary by ±2mm (1/16"). Please read the Installation Guide for detailed information on installing the product. For full installation instructions visit fisherpaykel.com



ACCESSORIES



Handle kits		
Style	Model	Finish
(A) Contemporary square fine	AHD5-OBDD-60SX	Brushed aluminium
(B) Contemporary square fine black	AHD5-OBDD-60SB	Brushed black aluminium
(C) Contemporary round	AHS-OBDD-60S	Stainless steel
(D) Professional round flush	AHP3-DWDD-60S	Stainless steel
(E) Classic round	AHCL-DDDW-60X	Stainless steel

Note: Double Dishwasher requires two handle kits.

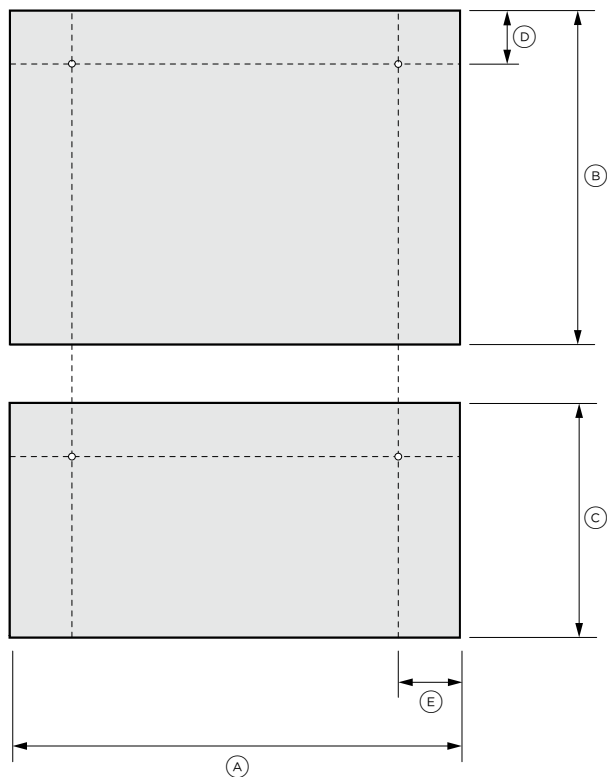
The models shown in this Planning Guide may not be available in all markets and are subject to change at any time. Product specifications may vary from those shown. This Planning Guide should not be used as installation guidance for any product. Further information is required to safely and correctly install the products featured here. Specific installation guidance will be available on our website fisherpaykel.com

PRE-FINISHED PANELS

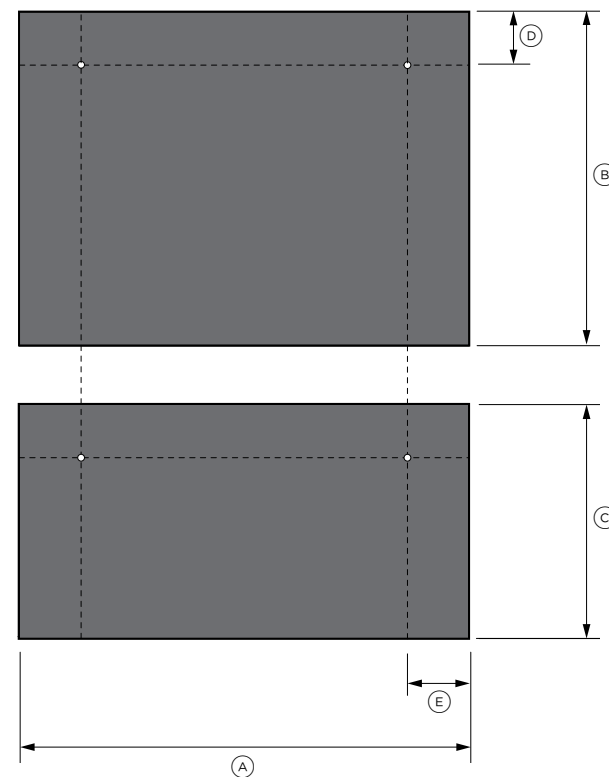
Brushed Stainless Steel - ADDD60DTPX
 Black Stainless Steel - ADDD60DTPB

Panel Dimensions	mm
Ⓐ Width of panels	596
Ⓑ Height of top drawer panel	442
Ⓒ Height of bottom drawer panel	311
Ⓓ Handle fixing point from top of panel	72
Ⓔ Handle fixing point from side of panel	81.5
Panel depth	18

Note: Custom toe kick panels can be installed alongside pre-finished panels using the recessed pre-finished toe kick as a mounting jig.



PRE-FINISHED PANEL ADDD60DTPX
BRUSHED STAINLESS STEEL



PRE-FINISHED PANEL ADDD60DTPB
BLACK STAINLESS STEEL

The models shown in this Planning Guide may not be available in all markets and are subject to change at any time. Product specifications may vary from those shown. This Planning Guide should not be used as installation guidance for any product. Further information is required to safely and correctly install the products featured here. Specific installation guidance will be available on our website fisherpaykel.com

PLANNING CONSIDERATIONS

PLANNING CONSIDERATIONS | CAVITY SPECIFICATIONS

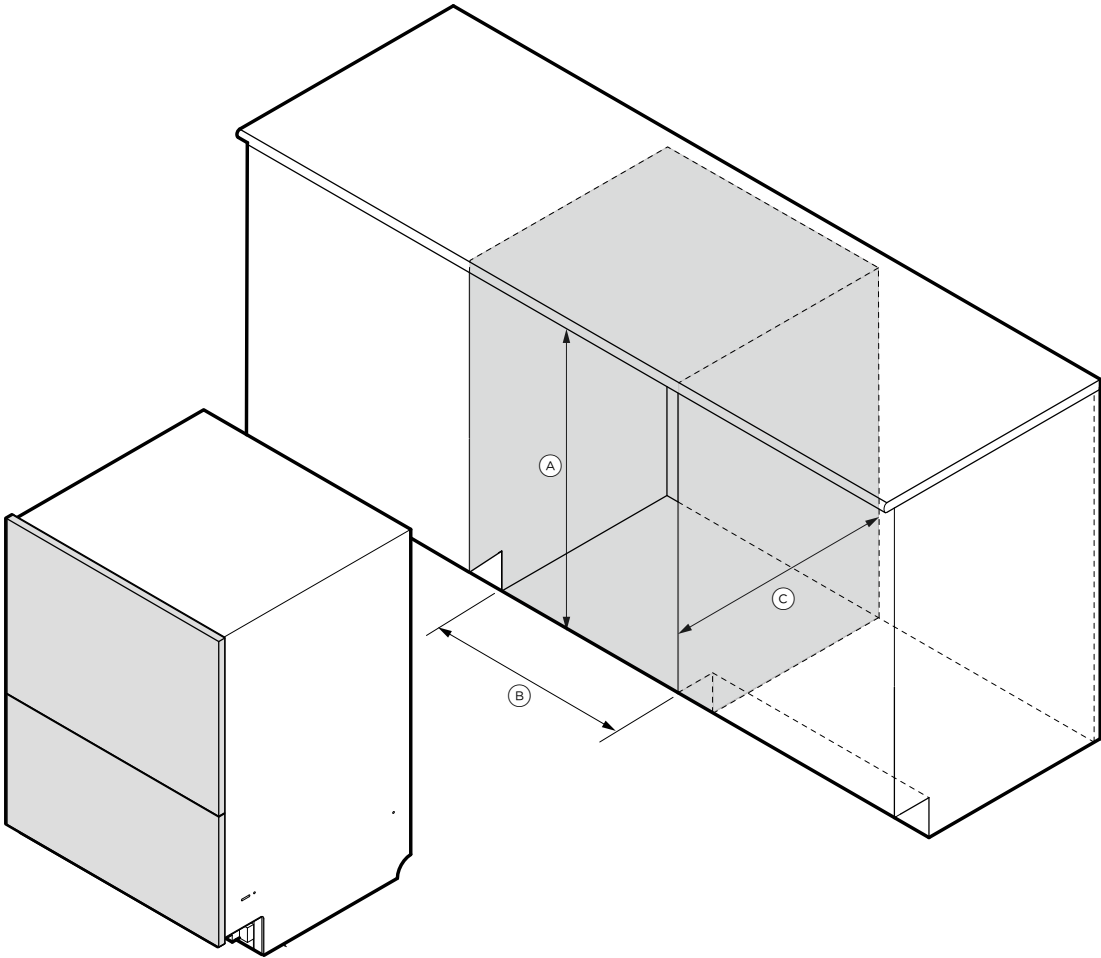
CAVITY SPECIFICATIONS

The cavity height will vary according to your cabinetry design.

Cavity Dimensions	mm
Ⓐ Cavity height*	869-927
Ⓑ Minimum cavity width	600
Ⓒ Minimum cavity depth**	578

*Cavity height depends on adjustment of levelling feet.

**Ensure there are no obstructions in the cavity if minimum cavity depth, width or height are specified.



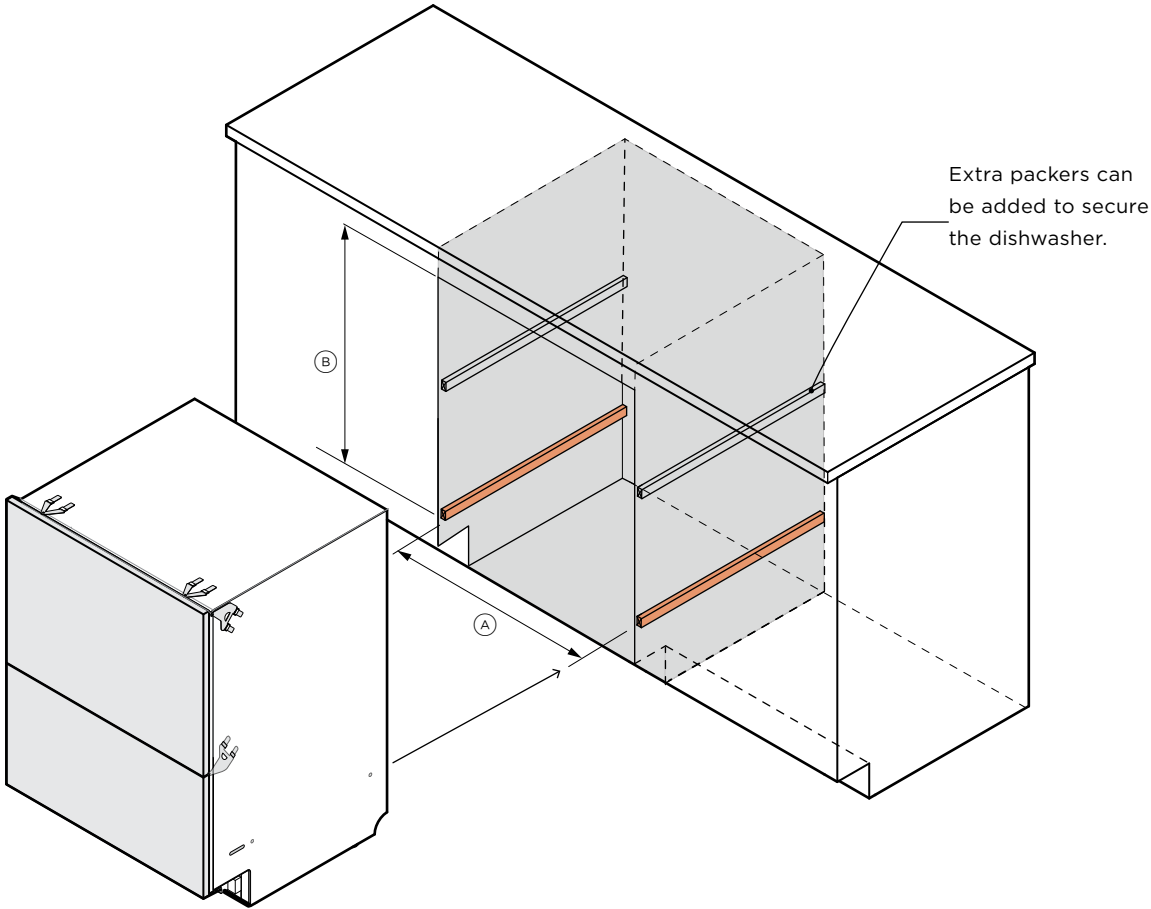
The models shown in this Planning Guide may not be available in all markets and are subject to change at any time. Product specifications may vary from those shown. This Planning Guide should not be used as installation guidance for any product. Further information is required to safely and correctly install the products featured here. Specific installation guidance will be available with the product on delivery and on our website fisherpaykel.com

CAVITY PACKING PLACEMENT

The dishwasher must be secured through chassis and into the cabinet sides. If the cavity is over width, packers must be installed to avoid bowing the chassis.

Side and top brackets may be installed and fixed to the edge of the cabinet.

Dimensions	mm
Ⓐ Width between packers	600
Ⓑ Center of fixing points from top of chassis	640



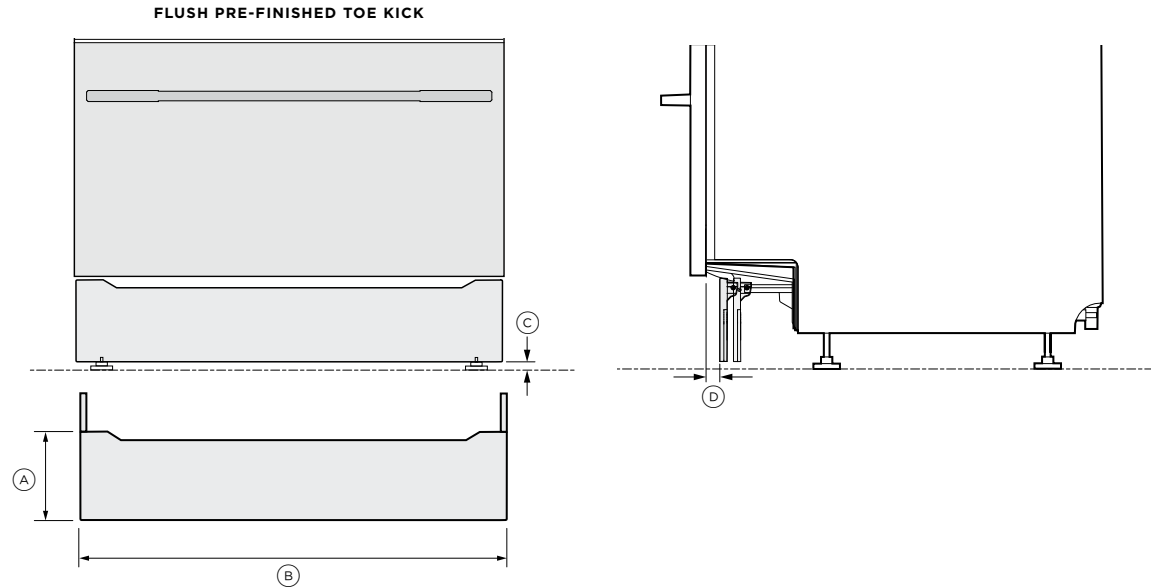
The models shown in this Planning Guide may not be available in all markets and are subject to change at any time. Product specifications may vary from those shown. This Planning Guide should not be used as installation guidance for any product. Further information is required to safely and correctly install the products featured here. Specific installation guidance will be available with the product on delivery and on our website fisherpaykel.com

FLUSH PRE-FINISHED TOE KICK

Suitable for a toe kick depth of **40 to 56mm**. The pre-finished toe kick height can be cut to fit as needed.

Dimensions	mm
Ⓐ Toe kick height	45 - 123
Ⓑ Toe kick width	595
Ⓒ Minimum clearance between toe kick panel and floor	12
Ⓓ Depth of toe kick recess*	40 - 56

*Back of drawer to front of toe kick



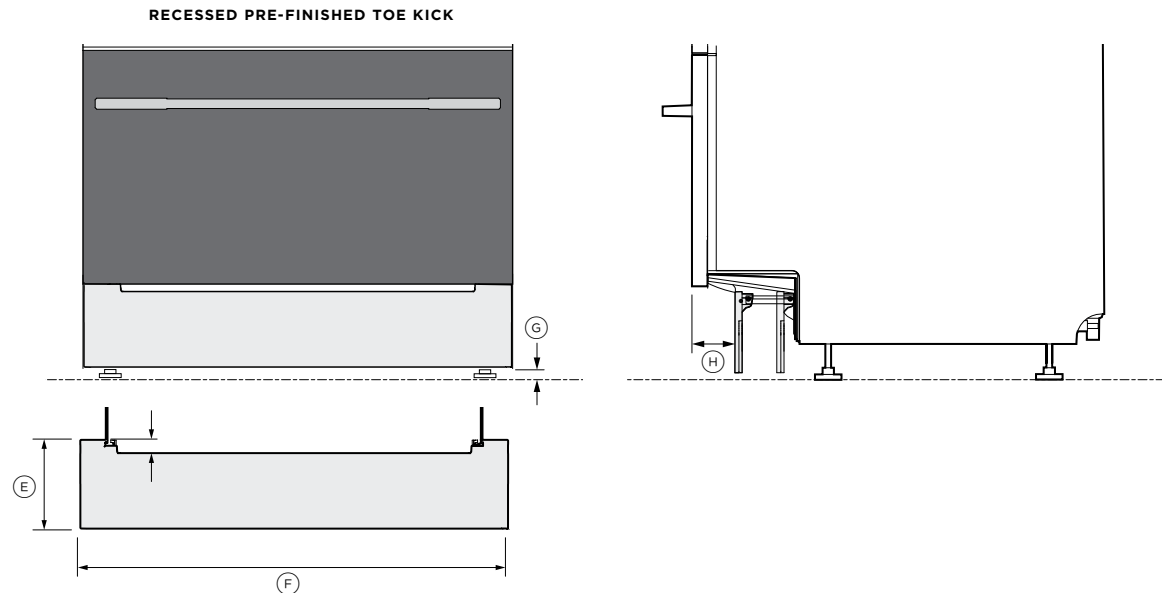
RECESSED PRE-FINISHED TOE KICK

Suitable for a toe kick depth of **56 to 120mm**. The pre-finished toe kick height can be cut to fit as needed.

The recessed toe kick is also used as a mount for custom panels.

Dimensions	mm
Ⓔ Toe kick height	45 - 123
Ⓕ Toe kick width	595
Ⓖ Minimum clearance between toe kick panel and floor	12
Ⓗ Depth of toe kick recess*	56 - 120

*Back of drawer to front of toe kick



The models shown in this Planning Guide may not be available in all markets and are subject to change at any time. Product specifications may vary from those shown. This Planning Guide should not be used as installation guidance for any product. Further information is required to safely and correctly install the products featured here. Specific installation guidance will be available on our website fisherpaykel.com

PLANNING CONSIDERATIONS | CUSTOM TOE KICK SPECIFICATIONS

CUSTOM TOE KICK SPECIFICATIONS

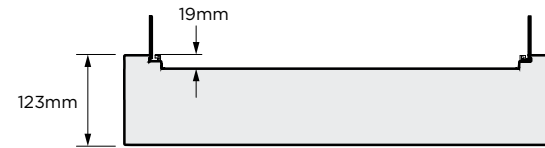
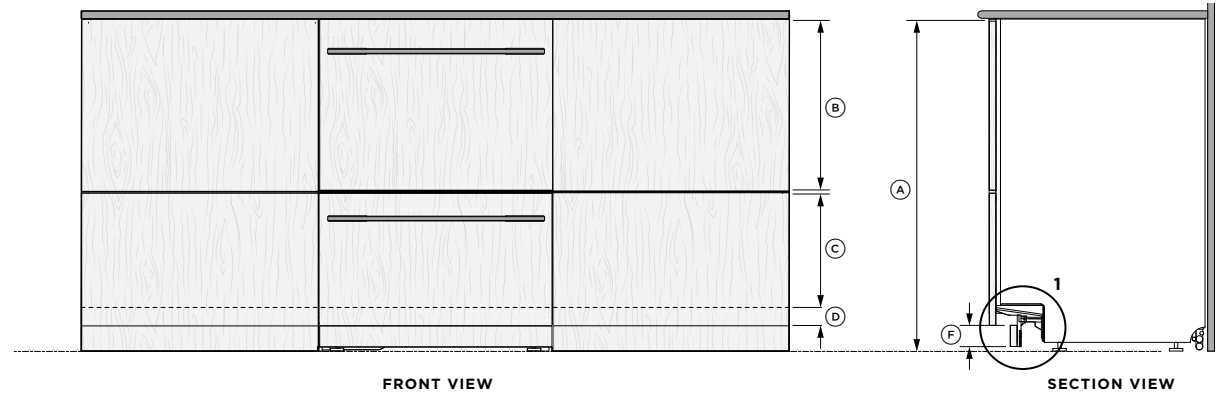
The custom panel is fixed to the recessed pre-finished panel.
The finished toe kick height will vary according to the toe kick depth and the adjusted height of the dishwasher.

The bottom drawer panel can be extended over the toe kick up to a maximum of 50mm.

Toe kick Dimensions	mm
A Product height	867 - 925
B Top panel height minimum	442
C Bottom panel height minimum	311
D Bottom panel maximum extension	50
E Minimum toe kick clearance to floor	12
F Toe kick panel height*	45 - 123
G Toe kick depth	40 - 120

*For overall cabinet toe kick height include the 12mm clearance gap from the bottom of the toe kick to the floor.

Custom drawer panel and toe kicks should be manufactured and fitted by a cabinetmaker.



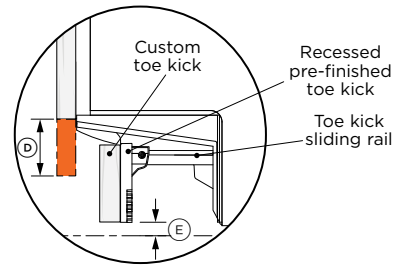
RECESSED PRE-FINISHED TOE KICK 40 - 100MM DEPTH



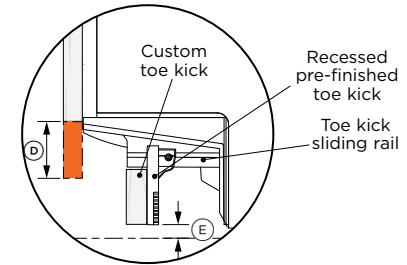
CUSTOM TOE KICK PANEL ALIGNMENT FOR 40MM TO 56MM DEPTH



CUSTOM TOE KICK PANEL ALIGNMENT FOR 56MM TO 120MM DEPTH



SECTION DETAIL VIEW 1
TOE KICK DEPTHS 40 - 56MM



SECTION DETAIL VIEW 1
TOE KICK DEPTHS 56 - 120MM

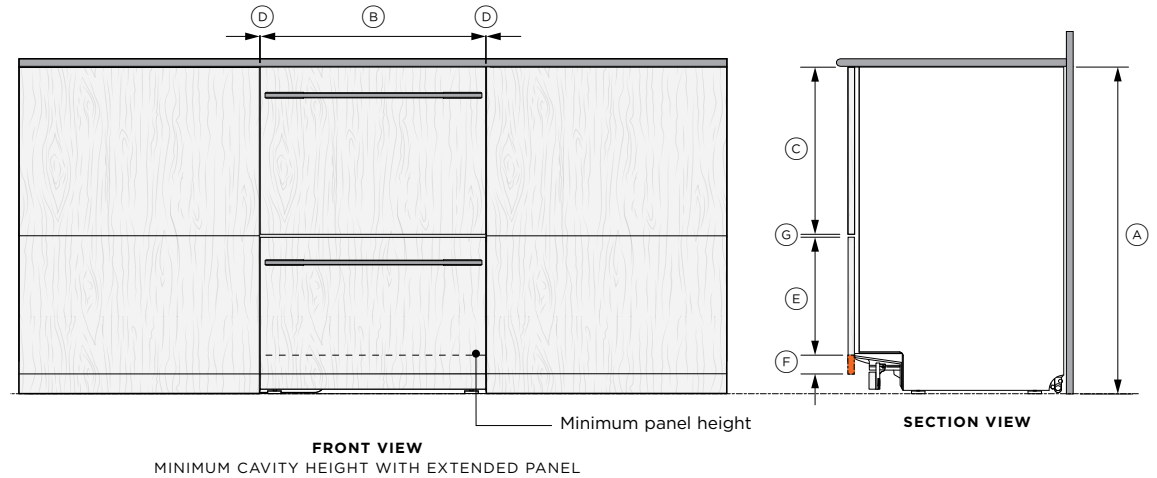
The models shown in this Planning Guide may not be available in all markets and are subject to change at any time. Product specifications may vary from those shown. This Planning Guide should not be used as installation guidance for any product. Further information is required to safely and correctly install the products featured here. Specific installation guidance will be available with the product on delivery and on our website fisherpaykel.com

PLANNING CONSIDERATIONS | CUSTOM PANEL SPECIFICATIONS

CUSTOM PANEL SPECIFICATIONS

Ensure that there are no obstructions under the counter top if the dishwasher is installed directly below.

Dimensions	mm
(A) Height of cavity	869-927
(B) Minimum panel width	596
(C) Minimum top panel height	442
(D) Minimum clearance gap to adjacent cabinetry	2
(E) Minimum bottom panel height	311
(F) Maximum bottom panel extension	50
(G) Minimum ventilation gap	8



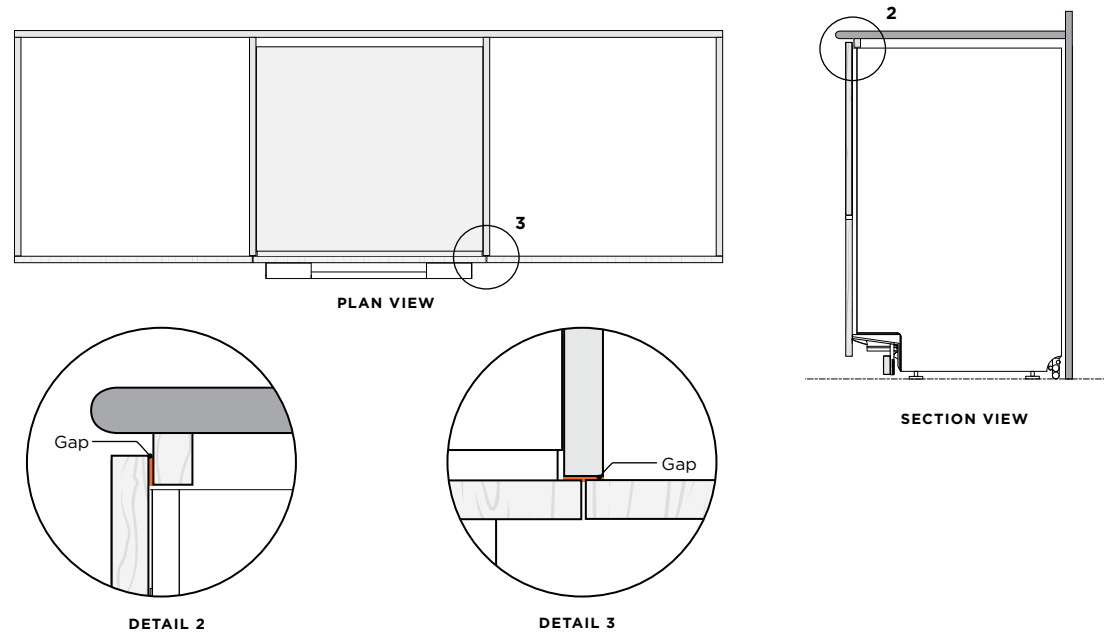
EXTENDING CUSTOM PANELS

Custom panels may need to extend to cover cabinet side walls or frames, or to create recessed handles.

Make sure the dishwasher drawer can always close securely against the seals on the chassis.

The dishwasher drawers must seal properly when closed to prevent humidity escape and condensation, which can damage the custom panel.

If the custom drawer panel contacts any cabinetry, the seal may be compromised, allowing humidity to escape and damage the drawer panels or cabinetry.



The models shown in this Planning Guide may not be available in all markets and are subject to change at any time. Product specifications may vary from those shown. This Planning Guide should not be used as installation guidance for any product. Further information is required to safely and correctly install the products featured here. Specific installation guidance will be available on our website fisherpaykel.com

CUSTOM DRAWER PANEL PREPARATION

PLANNING CONSIDERATIONS | CUSTOM PANEL DETAILS

CUSTOM PANEL SPECIFICATIONS

Panel width and height will vary according to your cabinet specifications.

Custom drawer panel and toe kicks should be manufactured and fitted by a cabinetmaker.

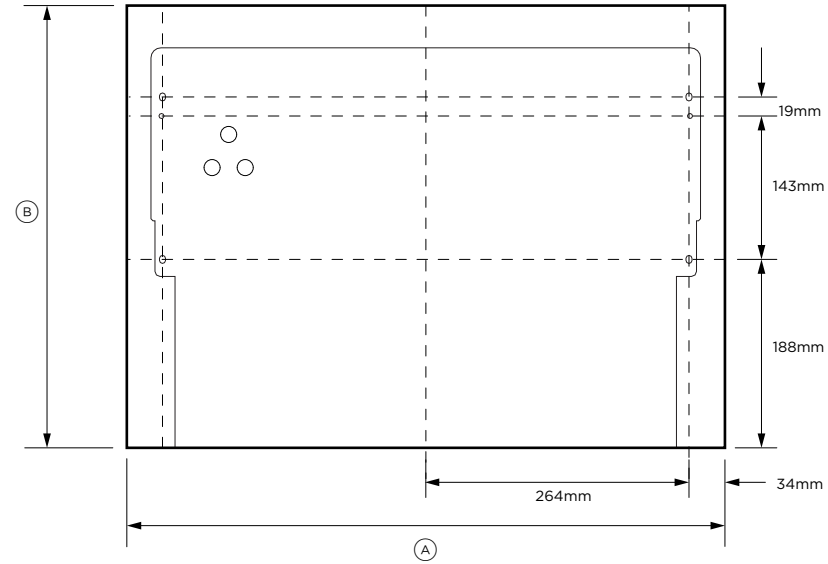
Panel Dimensions	mm
Ⓐ Minimum panel width	596
Ⓑ Top drawer panel minimum height	442
Ⓒ Bottom drawer panel minimum height	311
Ⓓ Maximum bottom drawer panel extension	50
Maximum panel weight per drawer panel including handle	9kg

TOP PANEL EXTENSION

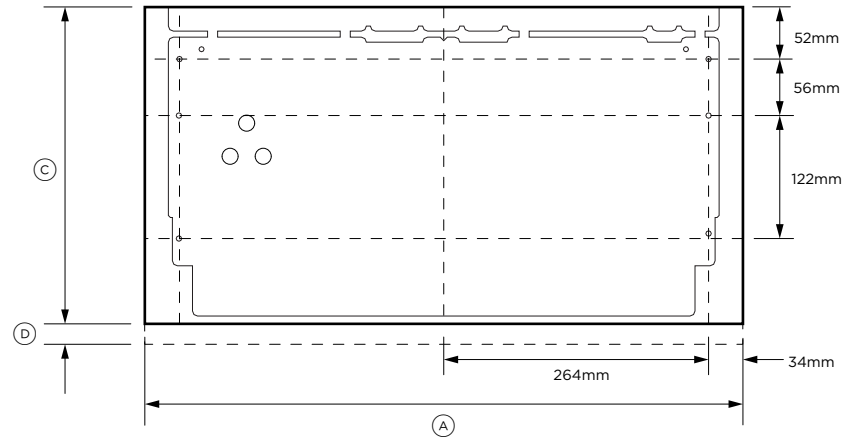
The top panel can be extended upwards. This can affect the ease of using the internal control panel.

For additional support please contact the Fisher & Paykel design support team at designsupport@fisherpaykel.com

TOP PANEL - BACK VIEW

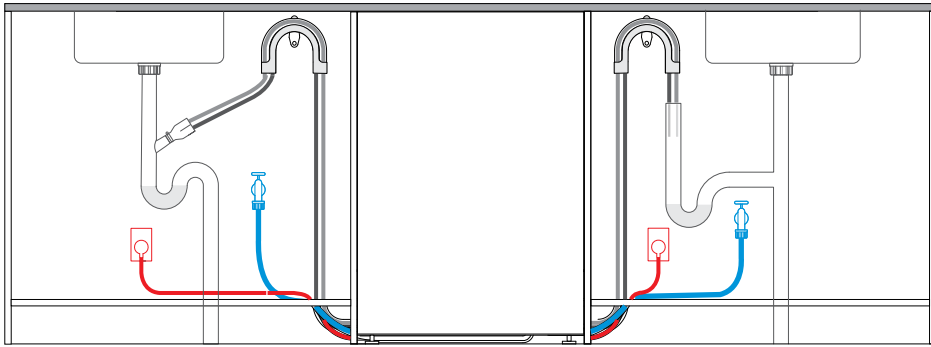


BOTTOM PANEL - BACK VIEW



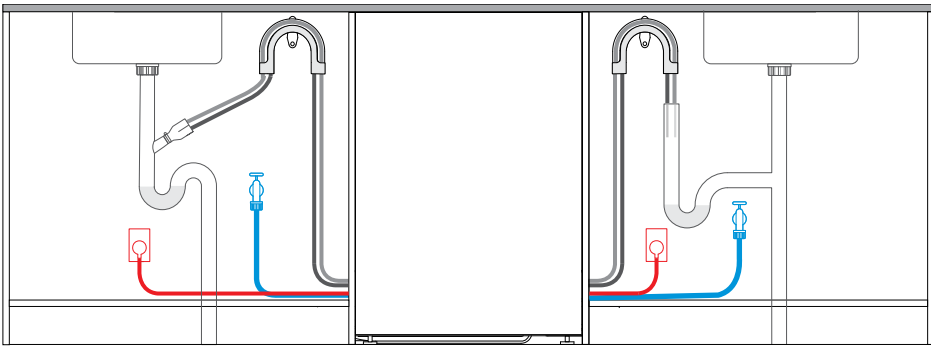
The models shown in this Planning Guide may not be available in all markets and are subject to change at any time. Product specifications may vary from those shown. This Planning Guide should not be used as installation guidance for any product. Further information is required to safely and correctly install the products featured here. Specific installation guidance will be available with the product on delivery and on our website fisherpaykel.com

SERVICES



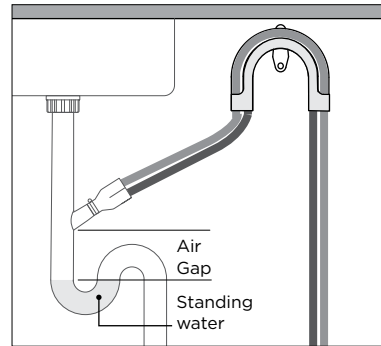
FRONT SECTION VIEW - SERVICES THROUGH TOE KICK

Services can be routed left or right through the toe kick and into the adjacent cabinet. Drainage can be routed to a spigot or stand pipe.



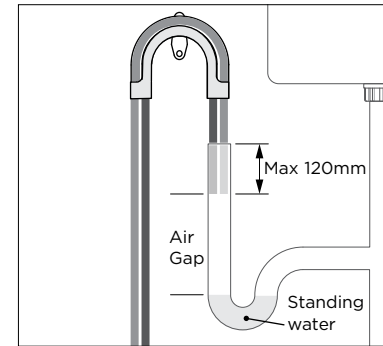
FRONT SECTION VIEW - SERVICES THROUGH CABINET SIDE

If routing directly through the cabinet side is necessary, ensure that the service hole is raised. There must be space behind the dishwasher for feeding hoses and cords.



DETAIL VIEW - SPIGOT INSTALL

The spigot must be installed above the standing water with an air gap in between.



DETAIL VIEW - STAND PIPE INSTALL

The dishwasher drain must be installed no more than 120mm into the stand pipe. An air gap between drain ends and standing water is required.

SERVICE REQUIREMENTS

The drain hose support should be placed as close to the underside of the counter top as possible.

Drain hoses must be installed higher than standing water with an air gap between to avoid drainage issues.

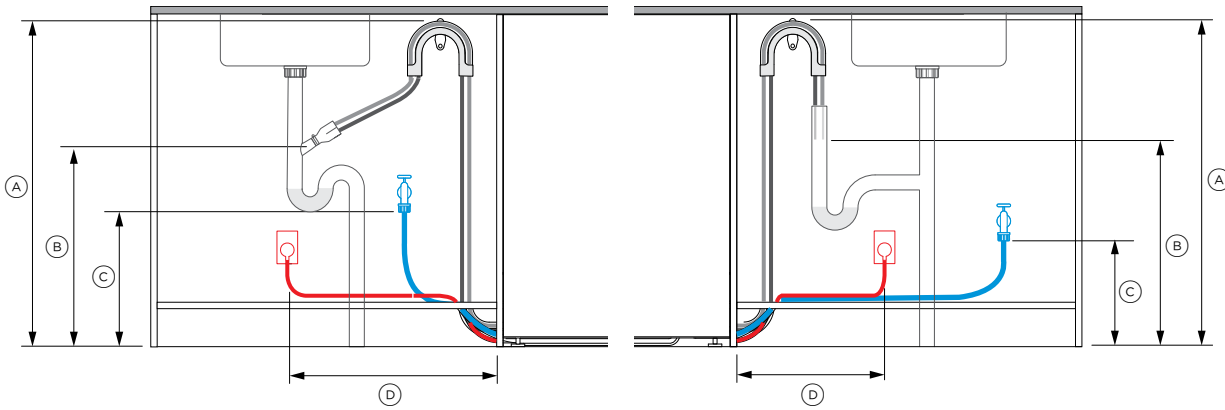
Hoses can be shortened to achieve the air gap.

Hoses must not extend into a standpipe more than 120mm.

If the drain hoses supplied are not long enough to reach your services, a Fisher & Paykel drain hose extension kit is available which will extend the drain hoses by 3.6m (part number 525798).

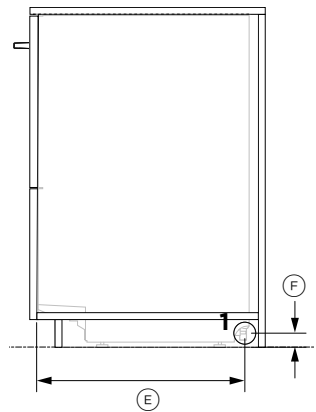
The models shown in this Planning Guide may not be available in all markets and are subject to change at any time. Product specifications may vary from those shown. This Planning Guide should not be used as installation guidance for any product. Further information is required to safely and correctly install the products featured here. Specific installation guidance will be available on our website fisherpaykel.com

SERVICES | SERVICE SPECIFICATIONS

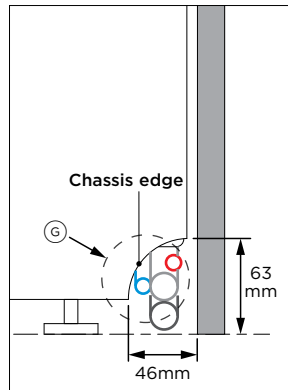


FRONT SECTION VIEW - SPIGOT INSTALL

FRONT SECTION VIEW - STAND PIPE INSTALL



SIDE SECTION VIEW - SERVICE HOLE

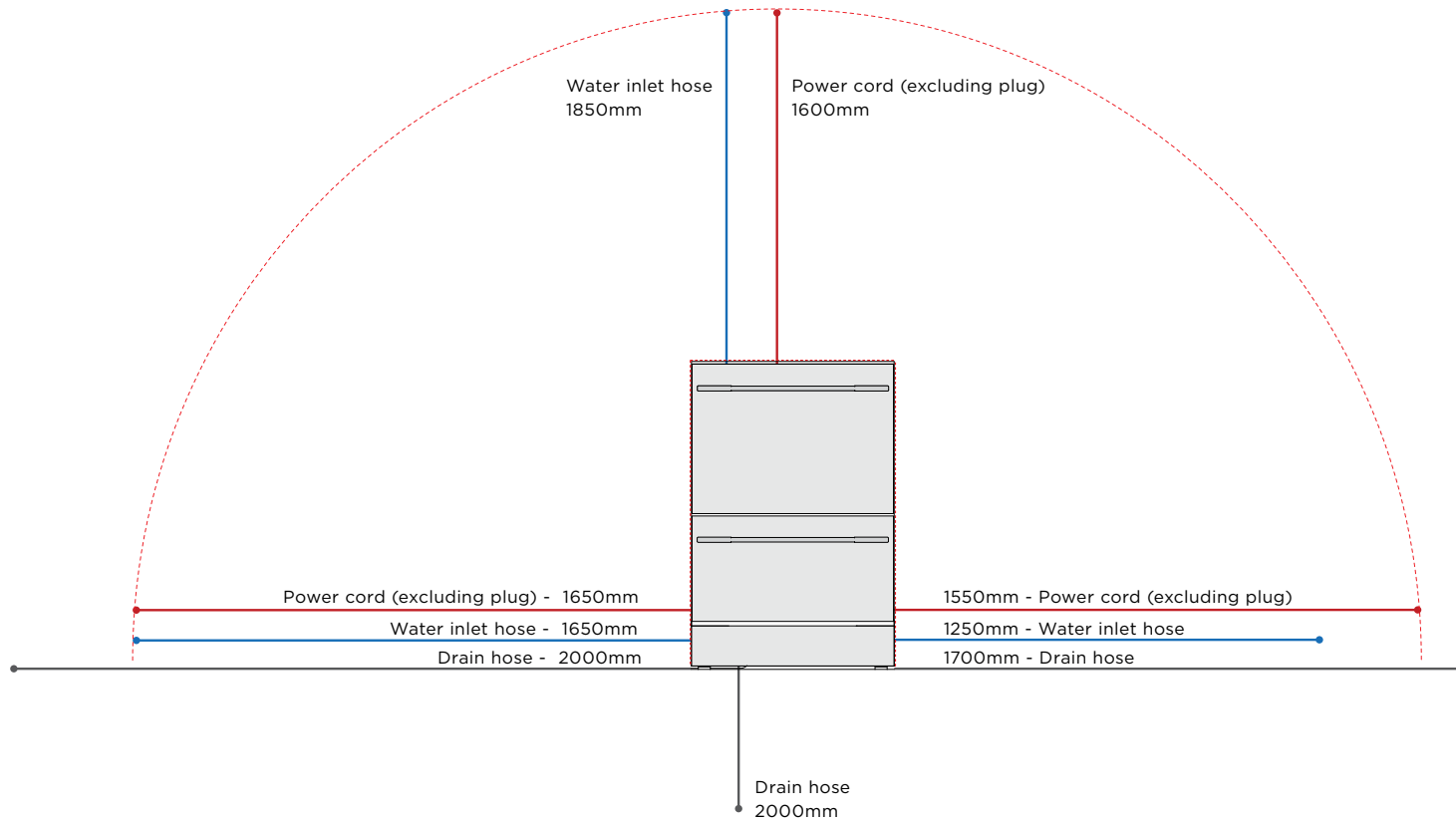


DETAIL 1 - SERVICE HOLE

Service dimensions	mm
Ⓐ Minimum distance from floor to top of hose support	750
Ⓑ Minimum distance from floor to end of drain hoses*	500
Ⓒ Minimum distance from floor to inlet hose connection	200
Ⓓ Maximum distance from cabinetry to the centre of electrical outlet	450
*Distances are the same for standpipe and waste tee installation.	
Minimum service hole dimensions	mm
Ⓔ Minimum distance between front of product* and center of service hole	538
Ⓕ Maximum distance between floor and center of service hole	38
Ⓖ Minimum diameter of all service holes	57

*Not including dishwasher panels

The models shown in this Planning Guide may not be available in all markets and are subject to change at any time. Product specifications may vary from those shown. This Planning Guide should not be used as installation guidance for any product. Further information is required to safely and correctly install the products featured here. Specific installation guidance will be available on our website fisherpaykel.com



Electrical and plumbing specifications

DD60DTX6I1, DD60DTX6H11

Electrical

Supply	220-240V
Service	Min 8.5A

Plumbing

Supply	3/4" BSP (GB20) to suit flat washer
Pressure	
Water softener model (DD60DTX6H11)	Min. 0.1 MPa (14.5 psi) Max. 1 MPa (145 psi)
Non water softener model (DD60DTX6I1)	Min. 0.03 MPa (4.3 psi) Max. 1 MPa (145 psi)
Recommended temperature	Cold (max 60°C)

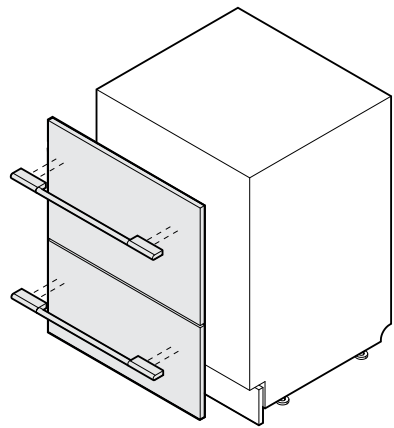
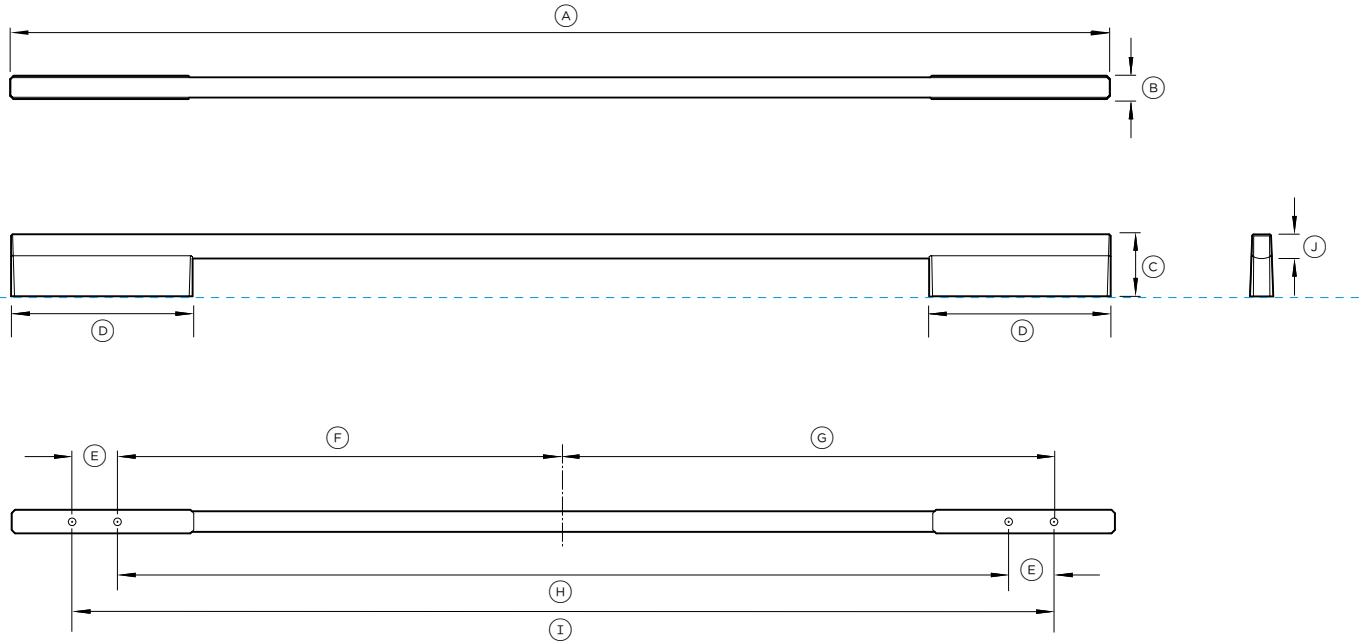
Hose and cord lengths

	mm
Drain hoses*	2000
Water inlet	1850
Power	1600

*The Fisher & Paykel 3.6m drain hose extension kit (part number 525798) is available for purchase from fisherpaykel.com

IMPORTANT NOTE: Throughout this guide, dimensions may vary by ±2mm (1/16"). Please read the Installation Guide for detailed information on installing the product. For full installation instructions visit fisherpaykel.com

DATA SHEETS: HANDLES



*M6 X 25mm Pan Head Socket Screw (2 per handle)

Model no:
 Square Fine Handle AHD5-OBDD-60SX
 Black Square Fine Handle AHD5-OBDD-60SB
For Models:
 DD60DTX6I1, DD60DTX6H1I, DD60DI9, DD60DH19

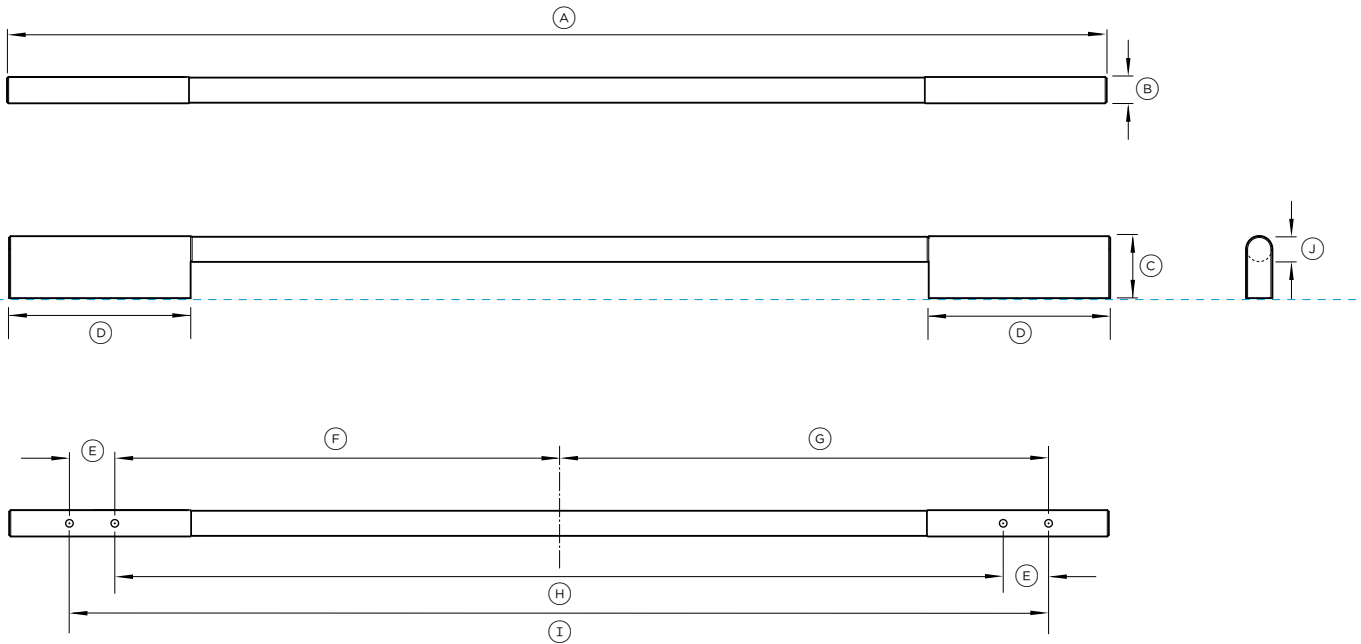
Compatible with drawer panel kits:
 Square Fine Handle for drawer Panel Kits ADDD60DPX, ADDD60DTPX
 Black Square Fine Handle for drawer Panel Kits ADDD60DPB, ADDD60DTPB
 Custom drawer panels

Handle Dimensions	mm
A Overall length of handle	565
B Overall depth of handle	15
C Overall height of handle	41
D Length of off-stand	100
E Distance between attachment holes	32
F Distance from centreline to inner attachment holes	216
G Distance from centreline to outer attachment holes	248.5
H Distance between inner attachment holes	432
I Distance between outer attachment holes	497
J Thickness of handle rail	16

*Suits standard 19mm drawer panel. Thicker drawer panels may require counter boring or longer screws.

Note: Single Dishwasher requires one handle kit. Double Dishwasher requires two handle kits.

IMPORTANT NOTE: Throughout this guide, dimensions may vary by ±2mm (1/16"). Please read the Installation Guide for detailed information on installing the product. For full installation instructions visit fisherpaykel.com



Model no:
Round Handle AHS-OBDD-60S

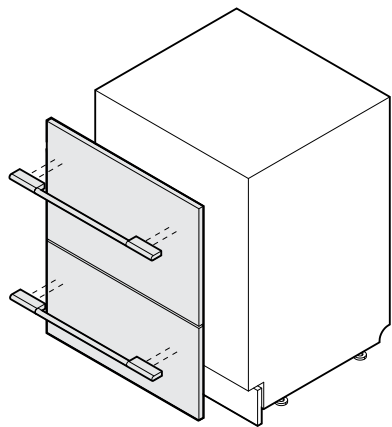
For Models:
DD60DTX6I1, DD60DTX6H1I, DD60DI9, DD60DH9

Compatible with drawer panel kits:
Round Handle for Drawer Panel Kits ADDD60SPX, ADDD60STPX

Handle Dimensions	mm
A Overall length of handle	565
B Overall depth of handle	17
C Overall height of handle	41
D Length of off-stand	100
E Distance between attachment holes	32
F Distance from centreline to inner attachment holes	216
G Distance from centreline to outer attachment holes	248.5
H Distance between inner attachment holes	432
I Distance between outer attachment holes	497
J Thickness of handle rail	16

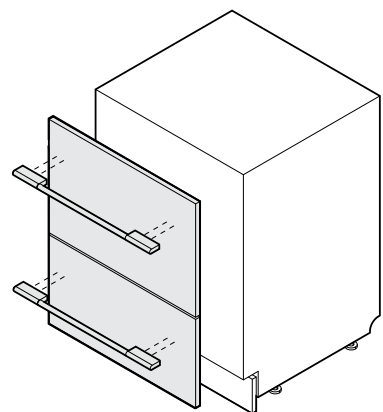
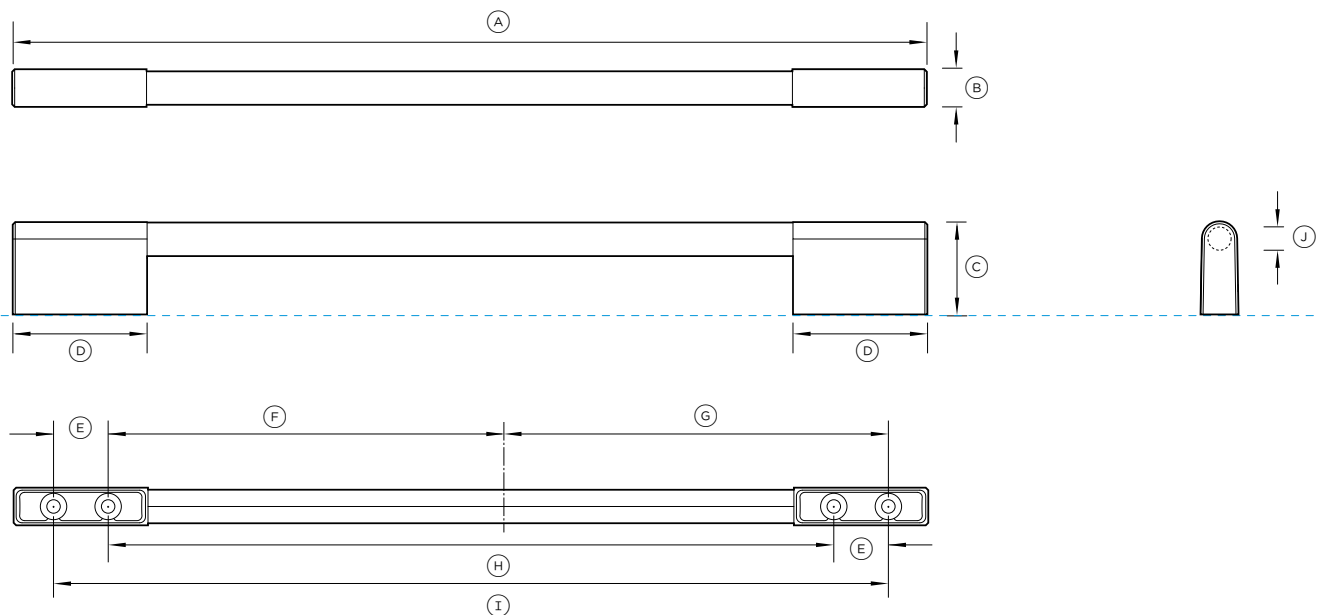
*Suits standard 19mm drawer panel. Thicker drawer panels may require counter boring or longer screws.

Note: Single Dishwasher requires one handle kit. Double Dishwasher requires two handle kits.



*M6 X 25mm Pan Head Socket Screw (2 per handle)

IMPORTANT NOTE: Throughout this guide, dimensions may vary by ±2mm (1/16"). Please read the Installation Guide for detailed information on installing the product. For full installation instructions visit fisherpaykel.com



*M6 X 25mm Pan Head Socket Screw (2 per handle)

Model no:
Classic Round Handle AHCL-DDDW-60X

For Models:
DD60DTX6I1, DD60DTX6H11, DD60DI9, DD60DH19

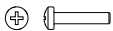
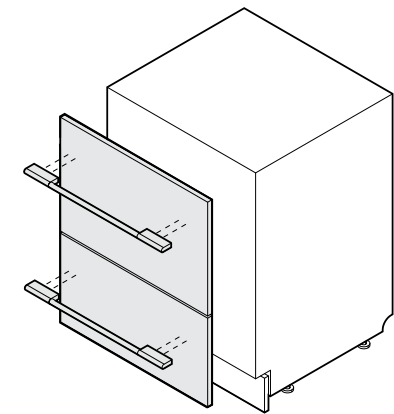
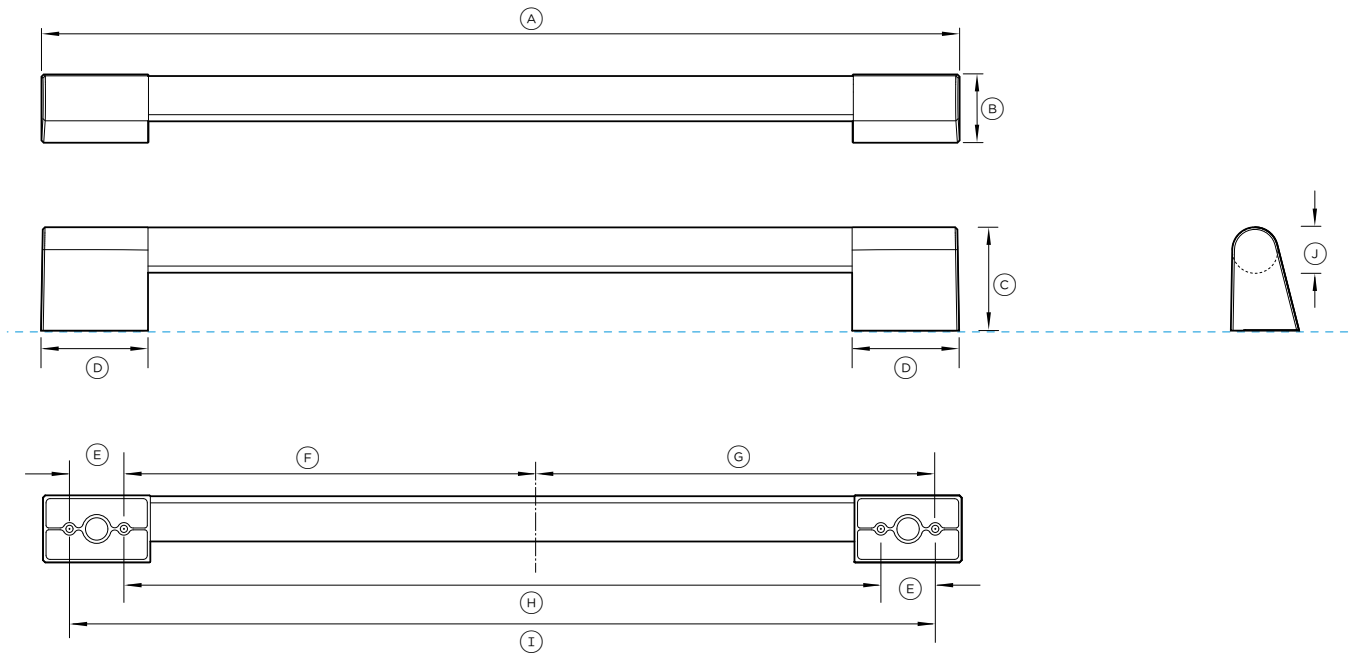
Compatible with drawer panel kits:
Classic Round Handle for Drawer Panel Kits ADDD60DPX, ADDD60TPX

Handle Dimensions	mm
A Overall length of handle	544
B Overall depth of handle	22
C Overall height of handle	55
D Length of off-stand	80
E Distance between attachment holes	32
F Distance from centreline to inner attachment holes	216
G Distance from centreline to outer attachment holes	248.5
H Distance between inner attachment holes	432
I Distance between outer attachment holes	497
J Diameter of handle rail	20

*Suits standard 19mm drawer panel. Thicker drawer panels may require counter boring or longer screws.

Note: Single Dishwasher requires one handle kit. Double Dishwasher requires two handle kits.

IMPORTANT NOTE: Throughout this guide, dimensions may vary by ±2mm (1/16"). Please read the Installation Guide for detailed information on installing the product. For full installation instructions visit fisherpaykel.com



*M6 X 25mm Pan Head Socket Screw (2 per handle)

Model no:
Professional Round Flush Handle AHP3-DWDD-60S

For Models:
DD60DTX6I1, DD60DTX6H1I, DD60DI9, DD60DH19

Compatible with drawer panel kits:
Professional Flush Handle for drawer Panel Kits ADDD60DPX, ADDD60DTPX
Custom Drawer Panels

Handle Dimensions	mm
A Overall length of handle	515
B Overall depth of handle	38
C Overall height of handle	58
D Length of off-stand	60
E Distance between attachment holes	32
F Distance from centreline to inner attachment holes	216
G Distance from centreline to outer attachment holes	248.5
H Distance between inner attachment holes	432
I Distance between outer attachment holes	497
J Diameter of handle rail	25

*Suits standard 19mm drawer panel. Thicker drawer panels may require counter boring or longer screws.

Note: Single Dishwasher requires one handle kit. Double Dishwasher requires two handle kits.

IMPORTANT NOTE: Throughout this guide, dimensions may vary by ±2mm (1/16"). Please read the Installation Guide for detailed information on installing the product. For full installation instructions visit fisherpaykel.com

