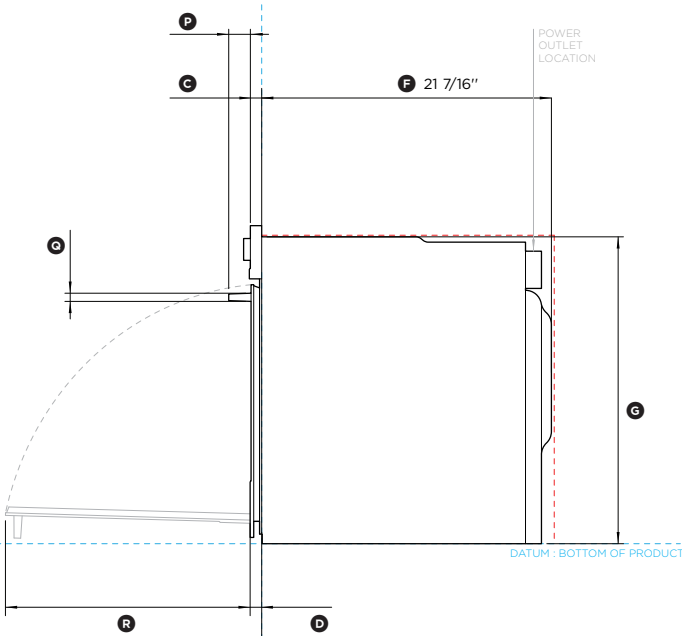
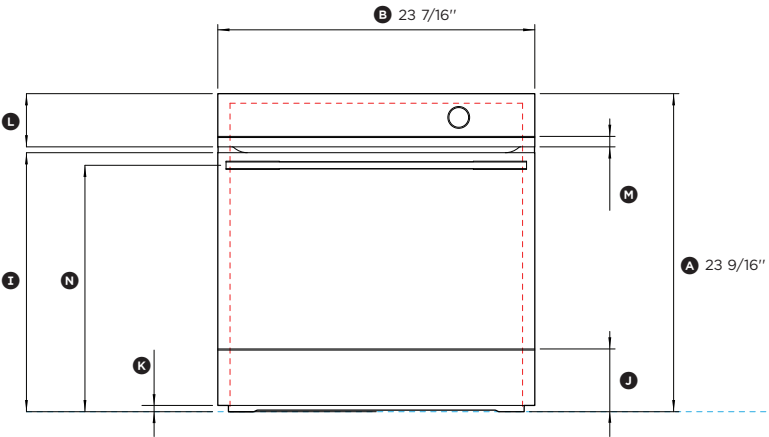
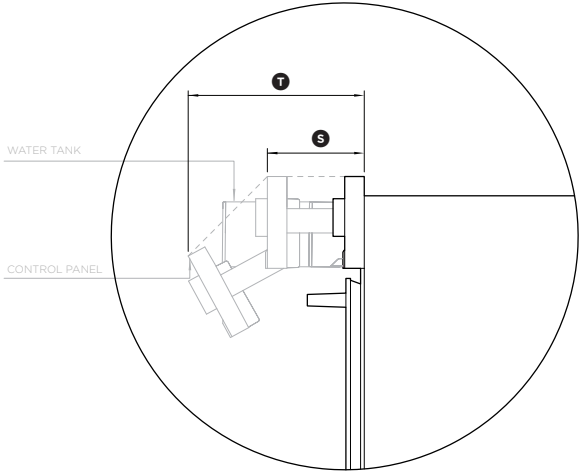
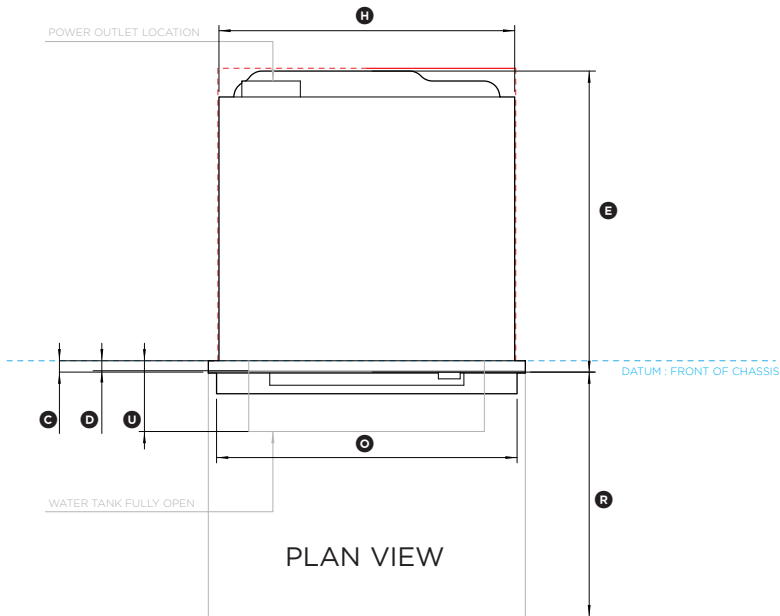


# FISHER & PAYKEL

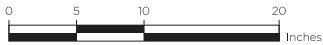
## DATA SHEET 24" Oven

Model no:  
**OS24SDTDX1**  
(refer page 2 for metric measurements)



FRONT VIEW

PROFILE VIEW



Product Dimensions	in
Ⓐ Overall height of oven	23 9/16"
Ⓑ Overall width of oven	23 7/16"
Ⓒ Depth of control panel (excludes handle and front metal trim)	13/16"
Ⓓ Depth of front door (excluding front trim)	13/16"
Ⓔ Depth of oven chassis to front of door glass (excludes handle)	22 1/4"
Ⓕ Depth of chassis	21 7/16"
Ⓖ Height of chassis	22 3/4"
Ⓙ Width of chassis	21 7/8"
Ⓚ Height from bottom datum to top of oven door	19 3/16"
Ⓛ Height of metal cap on oven door	4 5/8"
Ⓜ Height from bottom datum to bottom of door	7/16"
Ⓝ Height of control panel	3 15/16"
Ⓞ Height of metal cap on control panel	13/16"
Ⓟ Height from bottom datum to centerline of handle	18 1/4"
Ⓠ Width of handle	22 1/4"
Ⓡ Depth of handle (measured from front of door)	1 5/8"
Ⓢ Thickness of handle	5/8"
Ⓣ Depth of door (open) (measured from front of door)	18 1/8"
Ⓤ Control panel half open (measured from front of chassis)	3 5/16"
Ⓡ Control panel fully open (measured from front of chassis)	6 11/16"
Ⓢ Water tank carriage fully open	5 1/4"

Minimum Clearances	in
Minimum inside height of cavity	22 7/8"
Minimum inside width of cavity	22 1/16"
Minimum inside depth of cavity	21 11/16"

INDICATES PRODUCT DATUM -----  
INDICATES CABINETRY CLEARANCES -----

DATE: 17.11.2021

IMPORTANT NOTE: Throughout this guide, dimensions may vary by ±2mm (1/16"). Please read the installation manual for detailed information on installing the product. For full installation instructions & specifications visit fisherpaykel.com

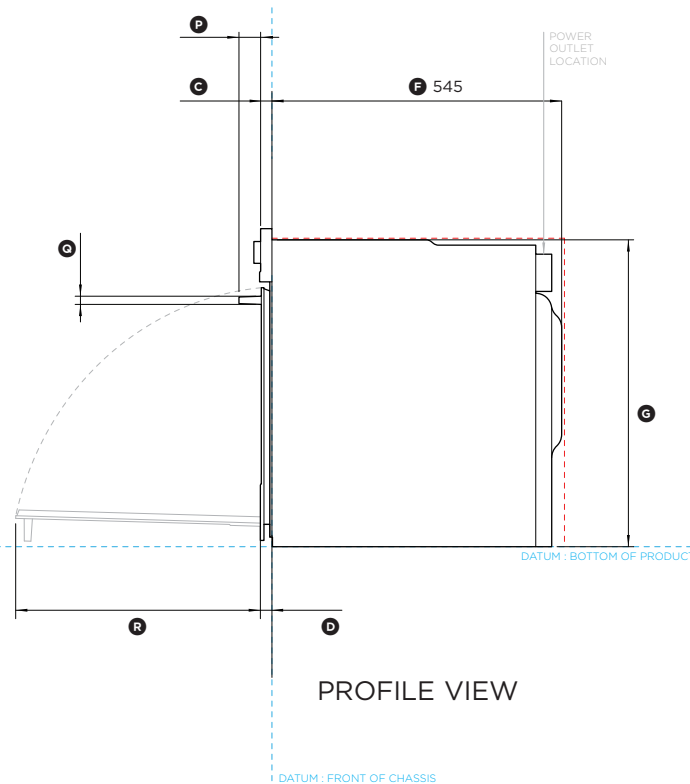
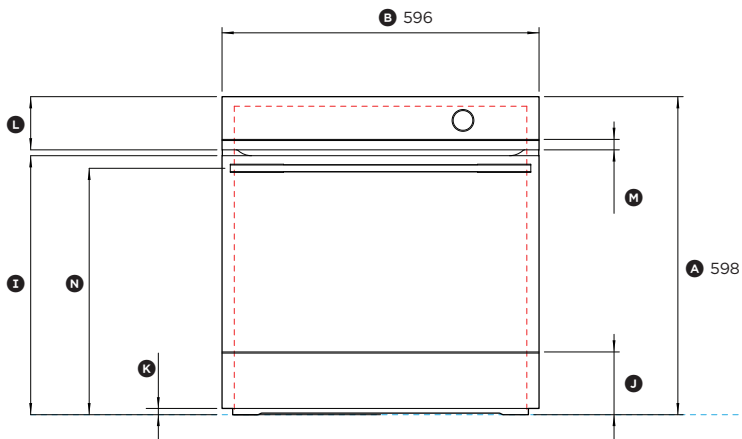
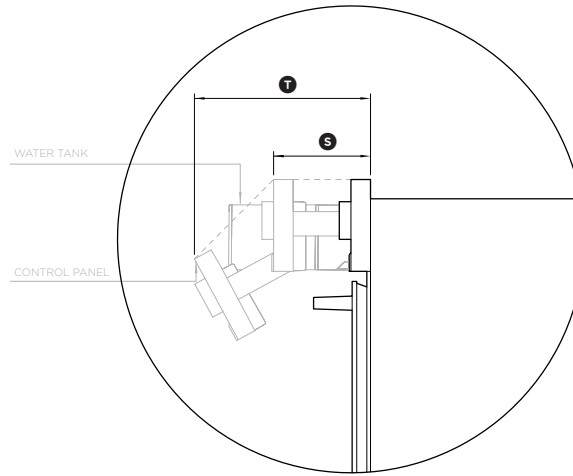
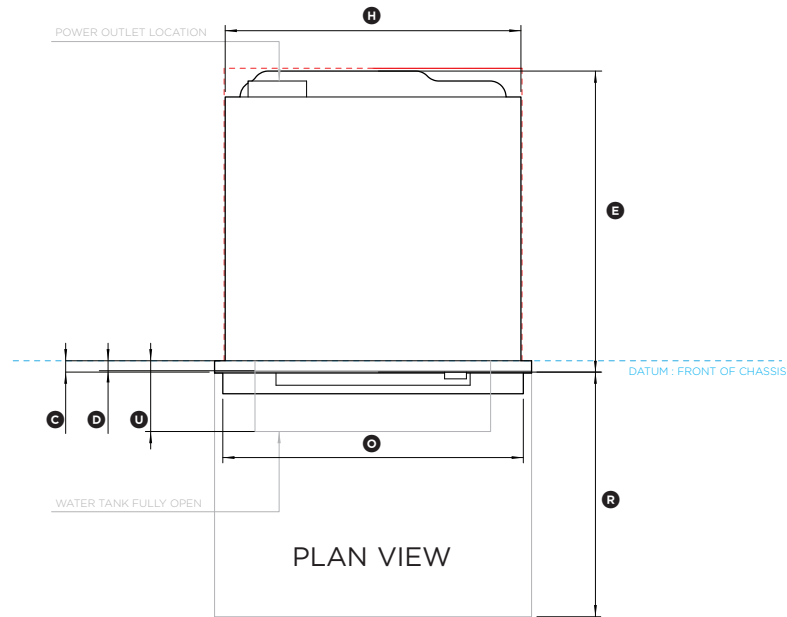
# FISHER & PAYKEL

## DATA SHEET 24" Oven

Model no:

**OS24SDTDX1**

(refer page 1 for imperial measurements)



Product Dimensions	mm
Ⓐ Overall height of oven	598
Ⓑ Overall width of oven	596
Ⓒ Depth of control panel (excludes handle and front metal trim)	21
Ⓓ Depth of front door (excluding front trim)	20
Ⓔ Depth of oven chassis to front of door glass (excludes handle)	565
Ⓕ Depth of chassis	545
Ⓖ Height of chassis	577
Ⓙ Width of chassis	556
Ⓚ Height from bottom datum to top of oven door	487
Ⓛ Height of metal cap on oven door	117
Ⓚ Height from bottom datum to bottom of door	11
Ⓛ Height of control panel	100
Ⓚ Height of metal cap on control panel	20
Ⓚ Height from bottom datum to centerline of handle	464
Ⓚ Width of handle	565
Ⓚ Depth of handle (measured from front of door)	42
Ⓚ Thickness of handle	16
Ⓚ Depth of door (open) (measured from front of door)	460
Ⓚ Control panel half open (measured from front of chassis)	84
Ⓚ Control panel fully open (measured from front of chassis)	170
Ⓚ Water tank carriage fully open	133

Minimum Clearances	mm
Minimum inside height of cavity	580
Minimum inside width of cavity	560
Minimum inside depth of cavity	550

INDICATES PRODUCT DATUM -----  
INDICATES CABINERY CLEARANCES -----

DATE: 17.11.2021

IMPORTANT NOTE: Throughout this guide, dimensions may vary by  $\pm 2\text{mm}$  (1/16"). Please read the installation manual for detailed information on installing the product. For full installation instructions & specifications visit [fisherpaykel.com](http://fisherpaykel.com)