

## 60CM CONTEMPORARY OVENS AND COMPANIONS

---

# PLANNING GUIDE

---

**SERIES 9 PYROLYTIC OVEN** | OB60SACPUDX5  
**SERIES 11 COMBI-STEAM OVEN** | OS60SACHUDX5  
**SERIES 9 COMBI-STEAM OVEN** | OS60SACVUDX5  
**SERIES 11 COMPACT COMBI-STEAM OVEN** | OS60NACHUDX5  
**SERIES 9 COMPACT COMBI-STEAM OVEN** | OS60NACVUDX5  
**SERIES 9 COMPACT COMBI-MICROWAVE OVEN** | OM60NCUDX5  
**SERIES 9 BUILT-IN COFFEE MAKER** | EB60CSX3  
**SERIES 9 TALL WARMING DRAWER** | WB60SCTX3  
**SERIES 9 INTEGRATED TALL WARMING DRAWER** | WB60SDTEI3  
**SERIES 9 WARMING DRAWER** | WB60SCX3  
**SERIES 9 INTEGRATED WARMING DRAWER** | WB60SDEI3  
**SERIES 9 VACUUM SEAL DRAWER** | VB60SCX3  
**SERIES 9 INTEGRATED VACUUM SEAL DRAWER** | VB60SDEI3

## INTRODUCTION

This comprehensive planning guide provides you with the framework and tools to achieve your desired design outcome with Fisher & Paykel appliances. In this guide, you will find a range of conceptual, detailed, and dimensional product information to bring your ideas to life and create spaces that truly reflect your vision.

## SUPPORT

For additional design planning and installation support please contact the Fisher & Paykel design support team.  
**designsupport@fisherpaykel.com**

## NOTES

The models shown in this Planning Guide may not be available in all markets and are subject to change at any time. Refer to our website [fisherpaykel.com](http://fisherpaykel.com) for the latest document version. Product specifications may vary from those shown.  
 This Planning Guide should not be used as installation guidance for any product. Specific installation guidance will be available with the product on delivery and on our website.

CONCEPT DESIGN	PAGE	DEVELOPED AND DETAILED DESIGN	PAGE	DEVELOPED AND DETAILED DESIGN	PAGE
DESIGN CHOICE		DATA SHEETS		PLANNING CONSIDERATIONS	
Styles	4	Pyrolytic Oven	27	Cabinetry Preparation	41
Contemporary Style	5	Combi-Steam Oven	28	Ventilation	42
Installation Options	6	Combi-Steam Oven	29	Stack Height	43
Overview	7	Compact Combi-Steam Oven	30	SERVICES	
SPECIFICATION GUIDE		Compact Combi-Steam Oven	31	Power Connection and Electrical	45
Pyrolytic Oven	9	Compact Combi-Microwave Oven	32		
Combi-Steam Oven	10	Built-in Coffee Maker	33		
Combi-Steam Oven	11	Tall Warming Drawer	34		
Compact Combi-Steam Oven	12	Integrated Tall Warming Drawer	35		
Compact Combi-Steam Oven	13	Warming Drawer	36		
Compact Combi-Microwave Oven	14	Integrated Warming Drawer	37		
Built-in Coffee Maker	15	Vacuum Seal Drawer	38		
Tall Warming Drawer	16	Integrated Vacuum Seal Drawer	39		
Integrated Tall Warming Drawer	17				
Warming Drawer	18				
Integrated Warming Drawer	19				
Vacuum Seal Drawer	20				
Integrated Vacuum Seal Drawer	21				
Dimensions - Ovens	22				
Dimensions - Compact Ovens and Built-in Coffee Maker	23				
Dimensions - Drawers	24				
Services	25				

## DESIGN CHOICE



**MINIMAL STYLE - HANDLELESS**



**MINIMAL STYLE**



**CONTEMPORARY STYLE**

Celebrating a singular aesthetic to blend seamlessly into the kitchen, Minimal style ovens feature subtle textural and tonal contrasts for a sense of refinement and purity.

Defined by clean lines and timeless design cues, Contemporary style ovens bring a sense of balance and refinement. A versatile aesthetic that complements a range of kitchen styles.

This Planning Guide is for the Contemporary Style featuring 60cm Ovens and Companions. For information on other styles, please visit the Fisher and Paykel website. To see what models are available, head to the 'Overview' section in this Planning Guide.

The models shown in this Planning Guide may not be available in all markets and are subject to change at any time. Product specifications may vary from those shown. This Planning Guide should not be used as installation guidance for any product. Further information is required to safely and correctly install the products featured here. Specific installation guidance will be available with the product on delivery and on our website [fisherpaykel.com](http://fisherpaykel.com)

FINISH



Brushed  
Silver Glass

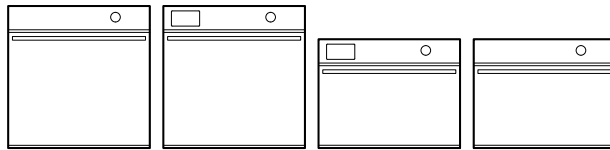
OVENS

PYROLYTIC

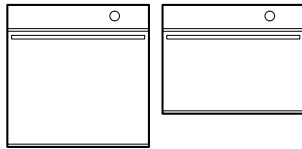
COMBI-STEAM

COMBI-  
MICROWAVE

Series 9



Series 11



**SERIES 11 - COMBI-STEAM OVENS**

The Series 11 Combi-Steam Ovens have an internal water tank in the control panel.

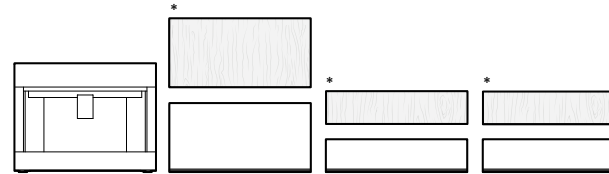
COMPANIONS

BUILT-IN  
COFFEE  
MAKER

TALL  
WARMING  
DRAWER

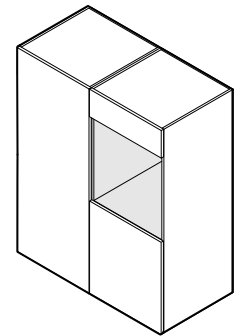
WARMING  
DRAWER

VACUUM  
SEAL  
DRAWER

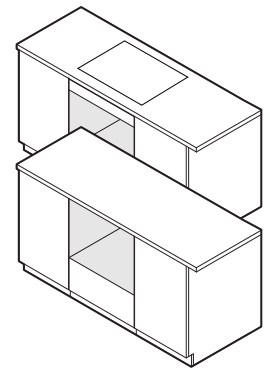


\*Integrated model, panel ready for a custom front panel.

INSTALLATION OPTIONS



Installation in wall



Installation under-bench

**CONSIDERATIONS**

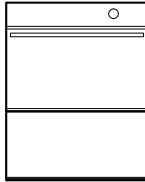
Different configurations possible, consider heights for grid and row installations.

**STACK HEIGHT**

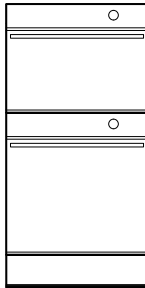
Stack Height is overall product height with minimum clearance above appliance front panel to upper cabinetry front panel or appliance.

**STACKED INSTALLATION**

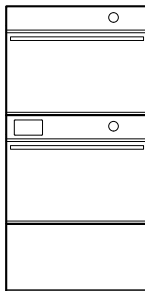
Stack Height  
750mm



Stack Height  
1200mm

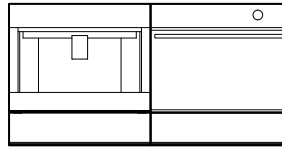


Stack Height  
1210mm

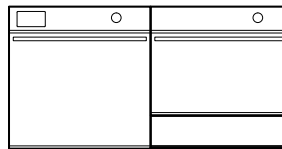


**GRID INSTALLATION**

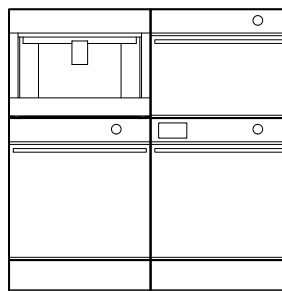
Stack Height  
600mm



Stack Height  
600mm

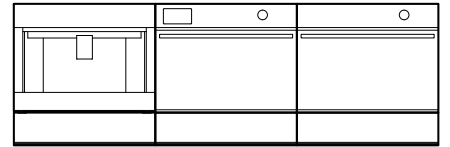


Stack Height  
1200mm

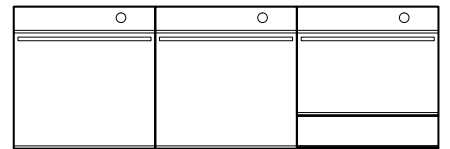


**ROW INSTALLATION**

Stack Height  
600mm



Stack Height  
600mm



The models shown in this Planning Guide may not be available in all markets and are subject to change at any time. Product specifications may vary from those shown. This Planning Guide should not be used as installation guidance for any product. Further information is required to safely and correctly install the products featured here. Specific installation guidance will be available with the product on delivery and on our website [fisherpaykel.com](http://fisherpaykel.com)

	FRONT ELEVATION					SIDE ELEVATION			
	<b>PYROLYTIC OVEN</b>	<b>COMBI-STEAM OVEN</b>	<b>COMPACT COMBI-STEAM OVEN</b>	<b>COMPACT COMBI-MICROWAVE OVEN</b>	<b>BUILT-IN COFFEE</b>	<b>TALL WARMING DRAWER</b>	<b>WARMING DRAWER</b>	<b>VACUUM SEAL DRAWER</b>	
Brushed Silver Glass Models	Series 9 OB60SACPUDX5	Series 11 OS60SACHUDX5 Series 9 OS60SACVUDX5	Series 11 OS60NACHUDX5 Series 9 OS60NACVUDX5	Series 9 OM60NCUDX5	Series 9 EB60CSX3	Series 9 WB60SCTX3	Series 9 WB60SCX3	Series 9 VB60SCX3	
Integrated Models	-	-	-	-	-	Series 9 WB60SDTEI3	Series 9 WB60SDEI3	Series 9 VB60SDEI3	
Interface	6.8" Touchscreen	6.8" Touchscreen	6.8" Touchscreen	6.8" Touchscreen	4.3" Touchscreen	-	-	-	
Overall Height	598mm	598mm	458mm	458mm	458mm	290mm	140mm	140mm	
Overall Width	596mm	596mm	596mm	596mm	596mm	596mm	596mm	596mm	
Control Panel/Front Panel Thickness	20mm	20mm	20mm	20mm	20mm	20mm	20mm	20mm	

\*Integrated models available.

The models shown in this Planning Guide may not be available in all markets and are subject to change at any time. Product specifications may vary from those shown. This Planning Guide should not be used as installation guidance for any product. Further information is required to safely and correctly install the products featured here. Specific installation guidance will be available with the product on delivery and on our website [fisherpaykel.com](http://fisherpaykel.com)

# **SPECIFICATION GUIDE**

## SERIES 9 & 11



**OVERVIEW**

Designed to be distinctive and timeless, this Contemporary oven matches with our Contemporary style family of appliances. The pyrolytic self-cleaning function breaks down food residue for an easy clean, while precise cooking methods with temperature and heat type recommendations for a wide range of food types are easily accessed via the large touch screen and SmartHQ™.

**PRODUCTS**

OB60SACPUDX5  
60cm Series 9 Contemporary Pyrolytic Oven

**SERIES & STYLE**

Series 9  
Contemporary

**ACCESSORIES**

- 1 Pyro-proof Side Ladders
- 2 Full Extension Sliding Shelf (x2)
- 3 Multi-functional Air Fry Tray

**FEATURES**

- 1 Contemporary style is distinctive and timeless. Designed to match with our Contemporary style family of appliances
- 2 Self-cleaning pyrolytic function breaks down food residue for an easy clean
- 3 Premium soft open and close door
- 4 Generous 72L useable capacity
- 5 Large 6.8" touchscreen is intuitive and easy to use
- 6 Create perfect results with precise cooking methods, with temperature and heat type recommendations for your food type
- 7 Moisture control and even heat distribution thanks to ActiveVent™ and AeroTech™ technology
- 8 Includes a wired temperature sensor for real-time monitoring of cooking temperatures
- 9 Connected capability via the SmartHQ™ app gives control & visibility from anywhere at anytime

**ACCESSORIES**

- 4 Roasting Dish
- 5 Flat Brushed Baking Tray
- 6 Wired Temperature Sensor



The models shown in this Planning Guide may not be available in all markets and are subject to change at any time. Product specifications may vary from those shown. This Planning Guide should not be used as installation guidance for any product. Further information is required to safely and correctly install the products featured here. Specific installation guidance will be available with the product on delivery and on our website [fisherpaykel.com](http://fisherpaykel.com)



### OVERVIEW

Designed to be distinctive and timeless, this Combi-Steam oven matches with our Contemporary style family of appliances. With versatile cooking options including steam or convection, plus a Steam Clean function for easy maintenance. Precise cooking methods with temperature and heat type recommendations for a wide range of food types are easily accessed via the large touch screen and SmartHQ™.

### PRODUCTS

OS60SACHUDX5  
60cm Series 11 Contemporary Combi-Steam Oven

### SERIES & STYLE

Series 11  
Contemporary

### ACCESSORIES

- 1 Chrome Side Ladders
- 2 Full Extension Sliding Shelf (x2)
- 3 Multi-functional Air Fry Tray
- 4 Roasting Dish
- 5 Flat Brushed Baking Tray

### FEATURES

- 1 Contemporary style is distinctive and timeless. Designed to match with our Contemporary style family of appliances
- 2 Versatile cooking options with steam or convection heat for optimal results
- 3 Premium soft open and close door
- 4 Generous 72L useable capacity
- 5 Large 6.8" touchscreen is intuitive and easy to use
- 6 Create perfect results with precise cooking methods, with temperature and heat type recommendations for your food type
- 7 Moisture control and even heat distribution thanks to ActiveVent™ and AeroTech™ technology
- 8 Steam Clean function ensures a spotless oven with minimal effort
- 9 Includes a wired temperature sensor for real-time monitoring of cooking temperatures
- 10 Connected capability via the SmartHQ™ app gives control & visibility from anywhere at anytime

### ACCESSORIES

- 6 Large Perforated Steam Dish
- 7 Small Perforated Steam Dish
- 8 Large Steam Dish
- 9 Wired Temperature Sensor
- 10 Descale Solution x2 sachets (Part 580295)



The models shown in this Planning Guide may not be available in all markets and are subject to change at any time. Product specifications may vary from those shown. This Planning Guide should not be used as installation guidance for any product. Further information is required to safely and correctly install the products featured here. Specific installation guidance will be available with the product on delivery and on our website [fisherpaykel.com](http://fisherpaykel.com)



### OVERVIEW

Designed to be distinctive and timeless, this Combi-Steam oven matches with our Contemporary style family of appliances. With versatile cooking options including steam or convection, plus a Steam Clean function for easy maintenance. Precise cooking methods with temperature and heat type recommendations for a wide range of food types are easily accessed via the large touch screen and SmarthQ™.

### PRODUCTS

OS60SACVUDX5  
60cm Series 9 Contemporary Combi-Steam Oven

### SERIES & STYLE

Series 9  
Contemporary

### ACCESSORIES

- 1 Chrome Side Ladders
- 2 Full Extension Sliding Shelf
- 3 Wire Shelf
- 4 Multi-functional Air Fry Tray
- 5 Roasting Dish
- 6 Flat Brushed Baking Tray

### FEATURES

- 1 Contemporary style is distinctive and timeless. Designed to match with our Contemporary style family of appliances
- 2 Versatile cooking options with steam or convection heat for optimal results
- 3 Premium soft open and close door
- 4 Generous 72L useable capacity
- 5 Large 6.8" touchscreen is intuitive and easy to use
- 6 Create perfect results with precise cooking methods, with temperature and heat type recommendations for your food type
- 7 Moisture control and even heat distribution thanks to ActiveVent™ and AeroTech™ technology
- 8 Steam Clean function ensures a spotless oven with minimal effort
- 9 Includes a wired temperature sensor for real-time monitoring of cooking temperatures
- 10 Connected capability via the SmarthQ™ app gives control & visibility from anywhere at anytime

### ACCESSORIES

- 7 Large Perforated Steam Dish
- 8 Small Perforated Steam Dish
- 9 Large Steam Dish
- 10 Wired Temperature Sensor
- 11 Descale Solution x2 sachets (Part 580295)



The models shown in this Planning Guide may not be available in all markets and are subject to change at any time. Product specifications may vary from those shown. This Planning Guide should not be used as installation guidance for any product. Further information is required to safely and correctly install the products featured here. Specific installation guidance will be available with the product on delivery and on our website [fisherpaykel.com](http://fisherpaykel.com)



### OVERVIEW

Designed to be distinctive and timeless, this Combi-Steam oven matches with our Contemporary style family of appliances. With versatile cooking options including steam or convection, plus a Steam Clean function for easy maintenance. Precise cooking methods with temperature and heat type recommendations for a wide range of food types are easily accessed via the large touch screen and SmartHQ™.

### PRODUCTS

OS60NACHUDX5  
60cm Series 11 Contemporary Compact Combi-Steam Oven

### SERIES & STYLE

Series 11  
Contemporary

### ACCESSORIES

- 1 Chrome Side Ladders
- 2 Full Extension Sliding Shelf
- 3 Wire Shelf
- 4 Multi-functional Air Fry Tray
- 5 Roasting Dish

### FEATURES

- 1 Contemporary style is distinctive and timeless. Designed to match with our Contemporary style family of appliances
- 2 Versatile cooking options with steam or convection heat for optimal results
- 3 Premium soft open and close door
- 4 Compact 45L useable capacity
- 5 Large 6.8" touchscreen is intuitive and easy to use
- 6 Create perfect results with precise cooking methods, with temperature and heat type recommendations for your food type
- 7 Moisture control and even heat distribution thanks to ActiveVent™ and AeroTech™ technology
- 8 Steam Clean function ensures a spotless oven with minimal effort
- 9 Includes a wired temperature sensor for real-time monitoring of cooking temperatures
- 10 Connected capability via the SmartHQ™ app gives control & visibility from anywhere at anytime

### ACCESSORIES

- 6 Large Perforated Steam Dish
- 7 Small Perforated Steam Dish
- 8 Large Steam Dish
- 9 Wired Temperature Sensor
- 10 Descale Solution x2 sachets (Part 580295)



The models shown in this Planning Guide may not be available in all markets and are subject to change at any time. Product specifications may vary from those shown. This Planning Guide should not be used as installation guidance for any product. Further information is required to safely and correctly install the products featured here. Specific installation guidance will be available with the product on delivery and on our website [fisherpaykel.com](http://fisherpaykel.com)



### OVERVIEW

Designed to be distinctive and timeless, this Combi-Steam oven matches with our Contemporary style family of appliances. With versatile cooking options including steam or convection, plus a Steam Clean function for easy maintenance. Precise cooking methods with temperature and heat type recommendations for a wide range of food types are easily accessed via the large touch screen and SmartHQ™.

### PRODUCTS

OS60NACVUDX5  
60cm Series 9 Contemporary Compact Combi-Steam Oven

### SERIES & STYLE

Series 9  
Contemporary

### ACCESSORIES

- 1 Chrome Side Ladders
- 2 Full Extension Sliding Shelf
- 3 Wire Shelf
- 4 Multi-functional Air Fry Tray
- 5 Roasting Dish

### FEATURES

- 1 Contemporary style is distinctive and timeless. Designed to match with our Contemporary style family of appliances
- 2 Versatile cooking options with steam or convection heat for optimal results
- 3 Premium soft open and close door
- 4 Compact 45L useable capacity
- 5 Large 6.8" touchscreen is intuitive and easy to use
- 6 Create perfect results with precise cooking methods, with temperature and heat type recommendations for your food type
- 7 Moisture control and even heat distribution thanks to ActiveVent™ and AeroTech™ technology
- 8 Steam Clean function ensures a spotless oven with minimal effort
- 9 Includes a wired temperature sensor for real-time monitoring of cooking temperatures
- 10 Connected capability via the SmartHQ™ app gives control & visibility from anywhere at anytime

### ACCESSORIES

- 6 Large Perforated Steam Dish
- 7 Small Perforated Steam Dish
- 8 Large Steam Dish
- 9 Wired Temperature Sensor
- 10 Descale Solution x2 sachets (Part 580295)



The models shown in this Planning Guide may not be available in all markets and are subject to change at any time. Product specifications may vary from those shown. This Planning Guide should not be used as installation guidance for any product. Further information is required to safely and correctly install the products featured here. Specific installation guidance will be available with the product on delivery and on our website [fisherpaykel.com](http://fisherpaykel.com)

**OVERVIEW**

Designed to be distinctive and timeless, this Combi-Microwave oven matches with our Contemporary style family of appliances. Versatile cooking options including microwave or convection offer efficient heating across a variety of dishes. Precise cooking methods with temperature and heat type recommendations for a wide range of food types are easily accessed via the large touch screen and SmarHq™.

**PRODUCTS**

**OM60NCUDX5**  
60cm Series 9 Contemporary Compact Combi-Microwave Oven

**SERIES & STYLE**

Series 9  
Contemporary

**FEATURES**

- 1** Contemporary style is distinctive and timeless. Designed to match with our Contemporary style family of appliances
- 2** Combines fast microwave cooking with even convection heat for versatile, efficient heating across a variety of dishes
- 3** Premium soft open and close door
- 4** Compact 38L useable capacity
- 5** Large 6.8" touchscreen is intuitive and easy to use
- 6** Create perfect results with precise cooking methods, with temperature and heat type recommendations for your food type
- 7** Versatile microwave only, convection only or combi-microwave functions to suit a range of cooking styles
- 8** Includes a wired temperature sensor for real-time monitoring of cooking temperatures
- 9** Connected capability via the SmarHq™ app gives control & visibility from anywhere at anytime

**ACCESSORIES**

- 1** Chrome Side Ladders
- 2** Wire Shelf
- 3** Step Down Wire Shelf
- 4** Glass Tray
- 5** Grill Rack
- 6** Wired Temperature Sensor

The models shown in this Planning Guide may not be available in all markets and are subject to change at any time. Product specifications may vary from those shown. This Planning Guide should not be used as installation guidance for any product. Further information is required to safely and correctly install the products featured here. Specific installation guidance will be available with the product on delivery and on our website [fisherpaykel.com](http://fisherpaykel.com)



### OVERVIEW

Designed to be distinctive and timeless, this Coffee Maker matches with our Contemporary style family of appliances. It learns your preferences over time, offering personalised coffee at the touch of a button. With precise grinding, creamy milk frothing, and effortless self-cleaning, it brings barista-quality coffee home.

### PRODUCTS

**EB60CSX3**  
60cm Series 9 Contemporary Built-in Coffee Maker

### SERIES & STYLE

Series 9  
Contemporary

### FEATURES

- 1 Contemporary style is distinctive and timeless. Designed to match with our Contemporary style family of appliances
- 2 Intuitive touch display brews a perfect cup of coffee at the touch of a button
- 3 Programmable timer turns on the Coffee Maker at the ideal time each day
- 4 Personalised coffee and smart self-learning menu preferences with 13 functions to suit any taste
- 5 Allows you to prepare hot milk or creamy froth in seconds
- 6 Stainless steel conical burr grinder with 13 coarseness positions
- 7 15 bar pump pressure
- 8 Self-cleaning function and easy-to-empty coffee grounds container and drip tray
- 9 2.4L water tank capacity

### ACCESSORIES

- 1 Milk Container (Auto-Froth)
- 2 Steam Wand
- 3 Coffee Spoon
- 4 Cleaning Brush
- 5 Descaler Solution – 1 bottle
- 6 Water Hardness Indicator Paper
- 7 Water Filter



The models shown in this Planning Guide may not be available in all markets and are subject to change at any time. Product specifications may vary from those shown. This Planning Guide should not be used as installation guidance for any product. Further information is required to safely and correctly install the products featured here. Specific installation guidance will be available with the product on delivery and on our website [fisherpaykel.com](http://fisherpaykel.com)

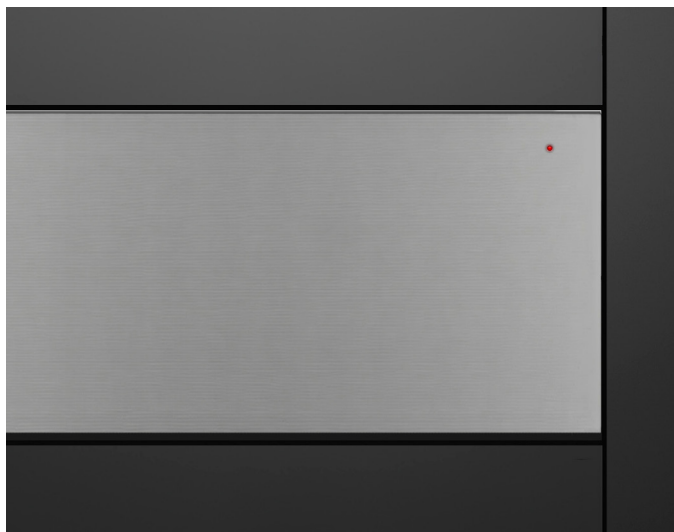


### OVERVIEW

Designed to be distinctive and timeless, this Warming Drawer matches with our Contemporary style family of appliances. Featuring a push-to-open mechanism, intuitive touch controls, and a smooth glass base for easy cleaning. With six tailored programmes and space for 16 place settings, it keeps meals ready to serve.

### PRODUCTS

**WB60SCTX3**  
60cm Series 9 Contemporary Tall Warming Drawer



### SERIES & STYLE

Series 9  
Contemporary

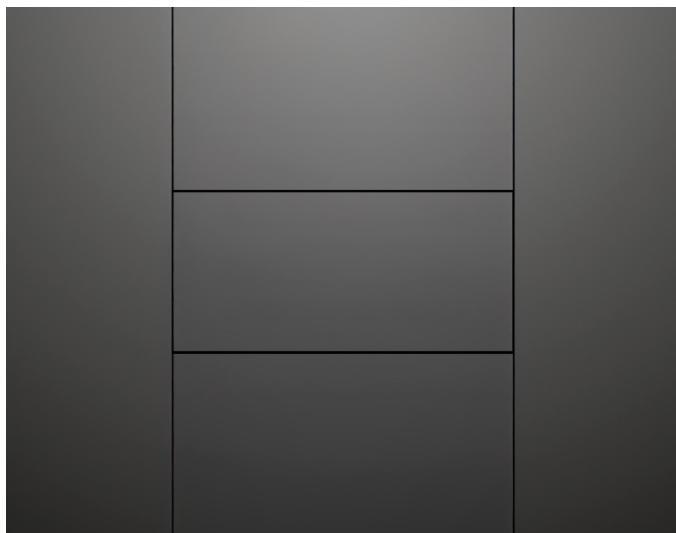
### FEATURES

- 1** Contemporary style is distinctive and timeless. Designed to match with our Contemporary style family of appliances
- 2** Push-to-open drawer, designed for added convenience
- 3** Simple and intuitive touch controls for effortless operation
- 4** Easy-to-clean glass base
- 5** Automatic switch-off and delayed start functionality to help keep dishes warm until it is time to serve
- 6** Room for 16 standard-sized place settings
- 7** Six tailored programmes including Warming, Proofing, Dehydrating, and Slow Cooking offer convenience and flexibility

### ACCESSORIES

- 1** Accessory rack for optimising space

The models shown in this Planning Guide may not be available in all markets and are subject to change at any time. Product specifications may vary from those shown. This Planning Guide should not be used as installation guidance for any product. Further information is required to safely and correctly install the products featured here. Specific installation guidance will be available with the product on delivery and on our website [fisherpaykel.com](https://fisherpaykel.com)



**OVERVIEW**

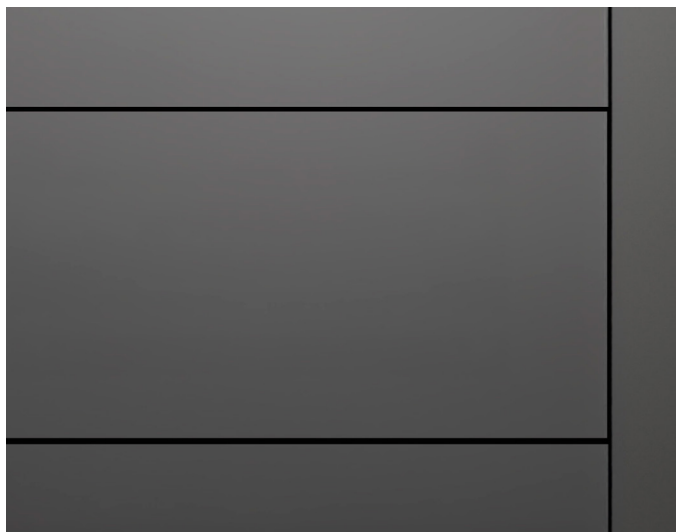
Panel ready design allows for seamless integration and customisation of this Warming Drawer with kitchen cabinetry for a cohesive kitchen look. Featuring a push-to-open mechanism, intuitive touch controls, and a smooth glass base for easy cleaning. With six tailored programmes and space for 16 place settings, it keeps meals ready to serve.

**PRODUCTS**

**WB60SDTEI3**  
60cm Series 9 Integrated Tall Warming Drawer

**FEATURES**

- 1** Panel ready design allows for seamless integration and customisation with kitchen cabinetry for a cohesive kitchen look
- 2** Push-to-open drawer, designed for added convenience
- 3** Simple and intuitive touch controls for effortless operation
- 4** Easy-to-clean glass base
- 5** Automatic switch-off and delayed start functionality to help keep dishes warm until it is time to serve
- 6** Room for 16 standard-sized place settings
- 7** Six tailored programmes including Warming, Proofing, Dehydrating, and Slow Cooking offer convenience and flexibility



**SERIES & STYLE**

Series 9  
Integrated

**ACCESSORIES**

- 1** Accessory rack for optimising space

The models shown in this Planning Guide may not be available in all markets and are subject to change at any time. Product specifications may vary from those shown. This Planning Guide should not be used as installation guidance for any product. Further information is required to safely and correctly install the products featured here. Specific installation guidance will be available with the product on delivery and on our website [fisherpaykel.com](http://fisherpaykel.com)



**OVERVIEW**

Designed to be distinctive and timeless, this Warming Drawer matches with our Contemporary style family of appliances. Featuring a push-to-open mechanism, intuitive touch controls, and a smooth glass base for easy cleaning. With six tailored programmes and space for 6 place settings, it keeps meals ready to serve.

**PRODUCTS**

**WB60SCX3**  
60cm Series 9 Contemporary Warming Drawer

**FEATURES**

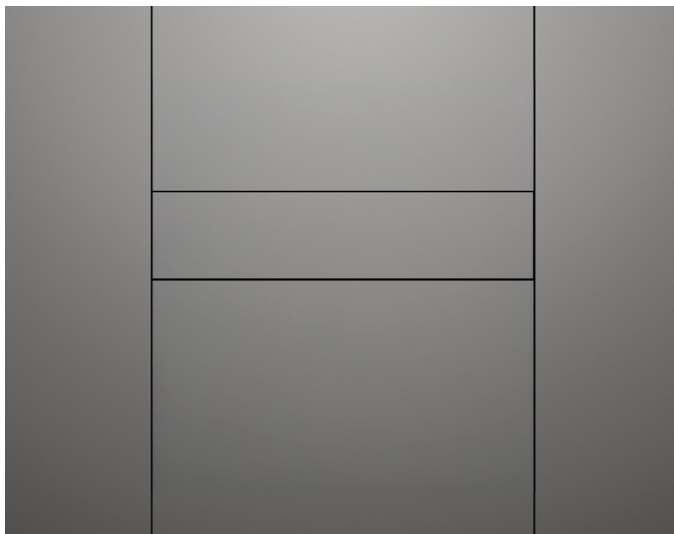
- 1** Contemporary style is distinctive and timeless. Designed to match with our Contemporary style family of appliances
- 2** Push-to-open drawer, designed for added convenience
- 3** Simple and intuitive touch controls for effortless operation
- 4** Easy-to-clean glass base
- 5** Automatic switch-off and delayed start functionality to help keep dishes warm until it is time to serve
- 6** Room for 6 standard-sized place settings
- 7** Six tailored programmes including Warming, Proofing, Dehydrating, and Slow Cooking offer convenience and flexibility



**SERIES & STYLE**

Series 9  
Contemporary

The models shown in this Planning Guide may not be available in all markets and are subject to change at any time. Product specifications may vary from those shown. This Planning Guide should not be used as installation guidance for any product. Further information is required to safely and correctly install the products featured here. Specific installation guidance will be available with the product on delivery and on our website [fisherpaykel.com](http://fisherpaykel.com)



**OVERVIEW**

Panel ready design allows for seamless integration and customisation of this Warming Drawer with kitchen cabinetry for a cohesive kitchen look. Featuring a push-to-open mechanism, intuitive touch controls, and a smooth glass base for easy cleaning. With six tailored programmes and space for 6 place settings, it keeps meals ready to serve.

**PRODUCTS**

**WB60SDEI3**  
60cm Series 9 Integrated Warming Drawer

**FEATURES**

- 1** Panel ready design allows for seamless integration and customisation with kitchen cabinetry for a cohesive kitchen look
- 2** Push-to-open drawer, designed for added convenience
- 3** Simple and intuitive touch controls for effortless operation
- 4** Easy-to-clean glass base
- 5** Automatic switch-off and delayed start functionality to help keep dishes warm until it is time to serve
- 6** Room for 6 standard-sized place settings
- 7** Six tailored programmes including Warming, Proofing, Dehydrating, and Slow Cooking offer convenience and flexibility



**SERIES & STYLE**

Series 9  
Integrated

The models shown in this Planning Guide may not be available in all markets and are subject to change at any time. Product specifications may vary from those shown. This Planning Guide should not be used as installation guidance for any product. Further information is required to safely and correctly install the products featured here. Specific installation guidance will be available with the product on delivery and on our website [fisherpaykel.com](http://fisherpaykel.com)



**OVERVIEW**

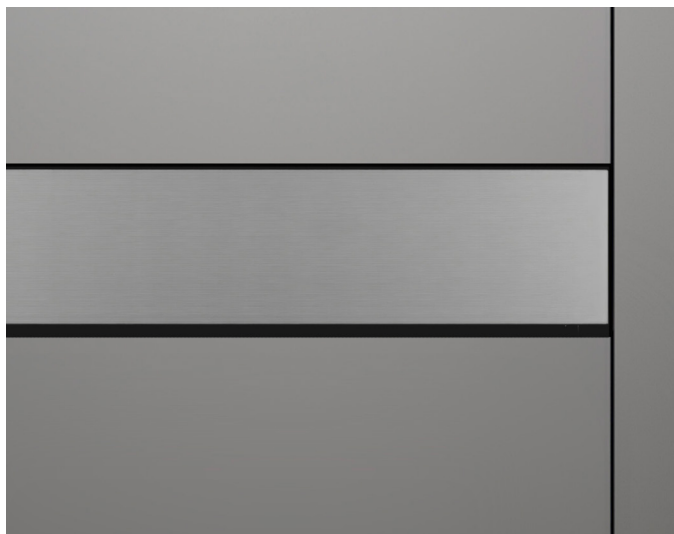
Designed to be distinctive and timeless, this Vacuum Seal Drawer matches with our Contemporary style family of appliances. A push-to-open mechanism and intuitive touch controls offer effortless use, while three vacuum and heat sealing levels support sous vide preparation, marinating, and food storage, using reusable and BPA-free food-grade bags.

**PRODUCTS**

**VB60SCX3**  
60cm Series 9 Contemporary Vacuum Seal Drawer

**FEATURES**

- 1** Contemporary style is distinctive and timeless. Designed to match with our Contemporary style family of appliances
- 2** Push-to-open drawer, designed for added convenience
- 3** Simple and intuitive touch controls for effortless operation
- 4** Easy-to-clean glass base
- 5** Three levels of vacuum and heat sealing - for easy re-sealing, food portioning, marinating, storage and extending shelf life
- 6** Allows effortless preparation for sous vide cooking
- 7** Our food-grade, BPA-free bags are an excellent storage option – these can be re-used if sealed and cut appropriately



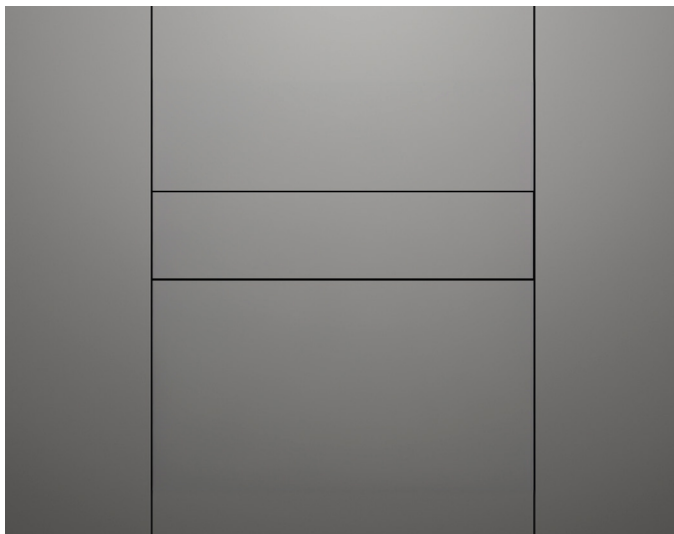
**SERIES & STYLE**

Series 9  
Contemporary

**ACCESSORIES**

- 1** External Vacuuming Accessory Kit
- 2** Large BPA-free Vacuum Seal Bags - 50 bags (Part 793034)
- 3** Small size BPA-free Vacuum Seal Bags - 50 bags (Part 793033)

The models shown in this Planning Guide may not be available in all markets and are subject to change at any time. Product specifications may vary from those shown. This Planning Guide should not be used as installation guidance for any product. Further information is required to safely and correctly install the products featured here. Specific installation guidance will be available with the product on delivery and on our website [fisherpaykel.com](http://fisherpaykel.com)



**OVERVIEW**

Panel ready design allows for seamless integration and customisation of this Vacuum Seal Drawer with kitchen cabinetry for a cohesive kitchen look. A push-to-open mechanism and intuitive touch controls offer effortless use, while three vacuum and heat sealing levels support sous vide preparation, marinating, and food storage, using reusable and BPA-free food-grade bags.

**PRODUCTS**

**VB60SDEI3**  
60cm Series 9 Integrated Vacuum Seal Drawer

**FEATURES**

- 1** Panel ready design allows for seamless integration and customisation with kitchen cabinetry for a cohesive kitchen look
- 2** Push-to-open drawer, designed for added convenience
- 3** Simple and intuitive touch controls for effortless operation
- 4** Easy-to-clean glass base
- 5** Three levels of vacuum and heat sealing - for easy re-sealing, food portioning, marinating, storage and extending shelf life
- 6** Allows effortless preparation for sous vide cooking
- 7** Our food-grade, BPA-free bags are an excellent storage option – these can be re-used if sealed and cut appropriately



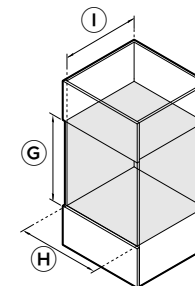
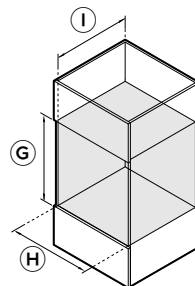
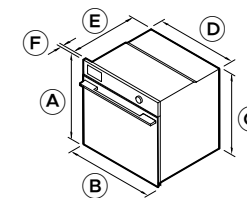
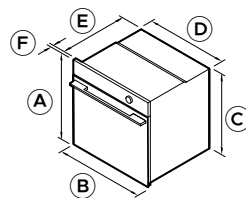
**SERIES & STYLE**

Series 9  
Integrated

**ACCESSORIES**

- 1** External Vacuuming Accessory Kit
- 2** Large BPA-free Vacuum Seal Bags - 50 bags (Part 793034)
- 3** Small size BPA-free Vacuum Seal Bags - 50 bags (Part 793033)

The models shown in this Planning Guide may not be available in all markets and are subject to change at any time. Product specifications may vary from those shown. This Planning Guide should not be used as installation guidance for any product. Further information is required to safely and correctly install the products featured here. Specific installation guidance will be available with the product on delivery and on our website [fisherpaykel.com](http://fisherpaykel.com)



PRODUCT DIMENSIONS

CAVITY DIMENSIONS

**PYROLYTIC OVEN**  
OB60SACPUDX5

**COMBI-STEAM OVEN**  
OS60SACHUDX5, OS60SACVUDX5

PRODUCT DIMENSIONS	
A	Overall product height
B	Overall product width
C	Chassis height
D	Chassis width
E	Chassis depth
F	Front frame depth (excludes handle)
	Door open depth at 90° (from product front)

PYROLYTIC OVEN	
OB60SACPUDX5	
	mm
A	598
B	596
C	575
D	556
E	545
F	20
	463

COMBI-STEAM OVEN	
OS60SACHUDX5, OS60SACVUDX5	
	mm
A	598
B	596
C	575
D	556
E	545
F	20
	463

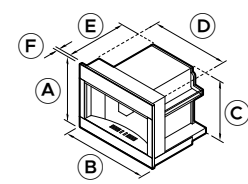
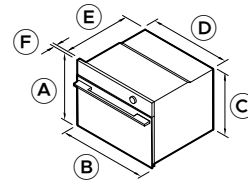
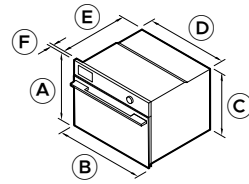
CAVITY DIMENSIONS	
G	Cavity height
H	Cavity width
I	Cavity depth (from chassis front datum)

PYROLYTIC OVEN	
OB60SACPUDX5	
	mm
G	min 580
H	min 560
I	min 550

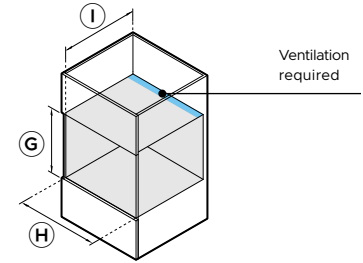
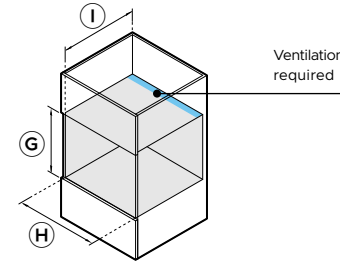
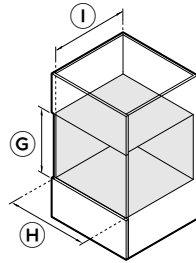
COMBI-STEAM OVEN	
OS60SACHUDX5, OS60SACVUDX5	
	mm
G	min 580
H	min 560
I	min 550

The models shown in this Planning Guide may not be available in all markets and are subject to change at any time. Product specifications may vary from those shown. This Planning Guide should not be used as installation guidance for any product. Further information is required to safely and correctly install the products featured here. Specific installation guidance will be available with the product on delivery and on our website [fisherpaykel.com](http://fisherpaykel.com)

PRODUCT DIMENSIONS



CAVITY DIMENSIONS



COMPACT COMBI-STEAM OVEN  
OS60NACHUDX5, OS60NACVUDX5

COMPACT MICROWAVE OVEN  
OM60NCUDX5

BUILT-IN COFFEE MAKER  
EB60CSX3

PRODUCT DIMENSIONS	
<b>A</b> Overall product height	458
<b>B</b> Overall product width	596
<b>C</b> Chassis height	435
<b>D</b> Chassis width	556
<b>E</b> Chassis depth	545
<b>F</b> Front frame depth (excludes handle)	20
Door open depth at 90° (from product front)	324
Product extension	-

COMPACT COMBI-STEAM OVEN OS60NACHUDX5, OS60NACVUDX5	
	mm
	458
	596
	435
	556
	545
	20
	324
	-

COMPACT MICROWAVE OVEN OM60NCUDX5	
	mm
	458
	596
	435
	556
	545
	20
	324
	-

BUILT-IN COFFEE MAKER EB60CSX3	
	mm
	458
	596
	445
	560
	460
	20
	-
	max 435

CAVITY DIMENSIONS	
<b>G</b> Cavity height	min 440
<b>H</b> Cavity width	min 560
<b>I</b> Cavity depth (from chassis front datum)	min 550

COMPACT COMBI-STEAM OVEN OS60NACHUDX5, OS60NACVUDX5	
	mm
	min 440
	min 560
	min 550

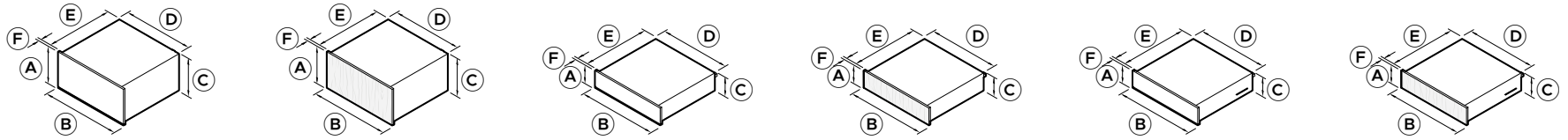
COMPACT MICROWAVE OVEN OM60NCUDX5	
	mm
	min 440
	min 560
	min 550*

BUILT-IN COFFEE MAKER EB60CSX3	
	mm
	min 450
	min 560
	min 545*

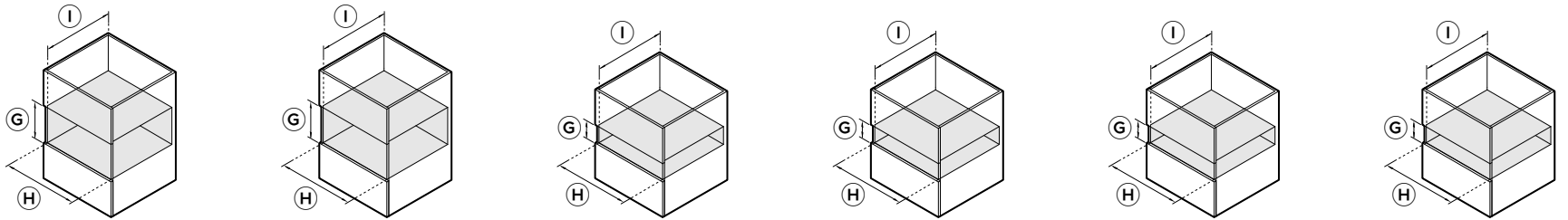
\*Minimum total ventilation area of 280cm<sup>2</sup> is required. The ventilation opening must be located at the rear of the cavity and may be positioned at the base, sides, or top of the cavity.

The models shown in this Planning Guide may not be available in all markets and are subject to change at any time. Product specifications may vary from those shown. This Planning Guide should not be used as installation guidance for any product. Further information is required to safely and correctly install the products featured here. Specific installation guidance will be available with the product on delivery and on our website [fisherpaykel.com](http://fisherpaykel.com)

PRODUCT DIMENSIONS



CAVITY DIMENSIONS

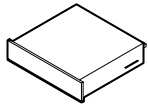
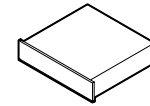
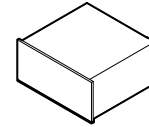
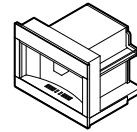
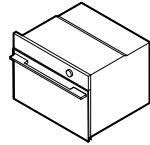
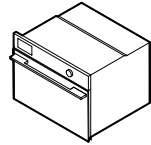
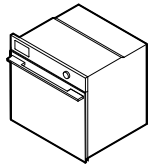
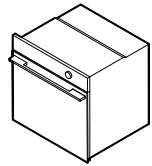


	TALL WARMING DRAWER WB60SCTX3	TALL INTEGRATED WARMING DRAWER WB60SDTEI3	WARMING DRAWER WB60SCX3	INTEGRATED WARMING DRAWER WB60SDEI3	VACUUM SEAL DRAWER VB60SCX3	INTEGRATED VACUUM SEAL DRAWER VB60SDEI3
<b>PRODUCT DIMENSIONS</b>	mm	mm	mm	mm	mm	mm
<b>A</b> Overall product height	290	290	140	140	140	140
<b>B</b> Overall product width	596	559	596	559	596	559
<b>C</b> Chassis height	290	290	140	140	140	140
<b>D</b> Chassis width	543	543*	543	543*	556	543*
<b>E</b> Chassis depth**	547	566	547	566	545	563
<b>F</b> Front frame depth/custom panel thickness	20	min 16***	20	min 16***	20	min 16***
Custom panel height	286	min 286	136	min 136	136	min 136
Custom panel width	596	min 536	596	min 536	596	min 536
Drawer extension	max 414	max 414	max 414	max 414	max 414	max 414
*Excludes side brackets. **Including power plug. ***Required 2mm gap between back of custom panel and cabinet frame for push-to-open actuation. Installation spacer included. Maximum custom panel weight 5kg.						
<b>CAVITY DIMENSIONS</b>	mm	mm	mm	mm	mm	mm
<b>G</b> Cavity height	min 292	min 292	min 142	min 142	min 142	min 142
<b>H</b> Cavity width	min 560	min 560 max 568	min 560	min 560 max 568	min 560	min 560 max 568
<b>I</b> Cavity depth (from chassis front datum)	min 550	min 570	min 550	min 570	min 550	min 570

Note: 60cm Fisher & Paykel ovens can be installed directly onto the drawer. An intermediate shelf is not required.

The models shown in this Planning Guide may not be available in all markets and are subject to change at any time. Product specifications may vary from those shown. This Planning Guide should not be used as installation guidance for any product. Further information is required to safely and correctly install the products featured here. Specific installation guidance will be available with the product on delivery and on our website [fisherpaykel.com](http://fisherpaykel.com)

ISOMETRIC VIEW



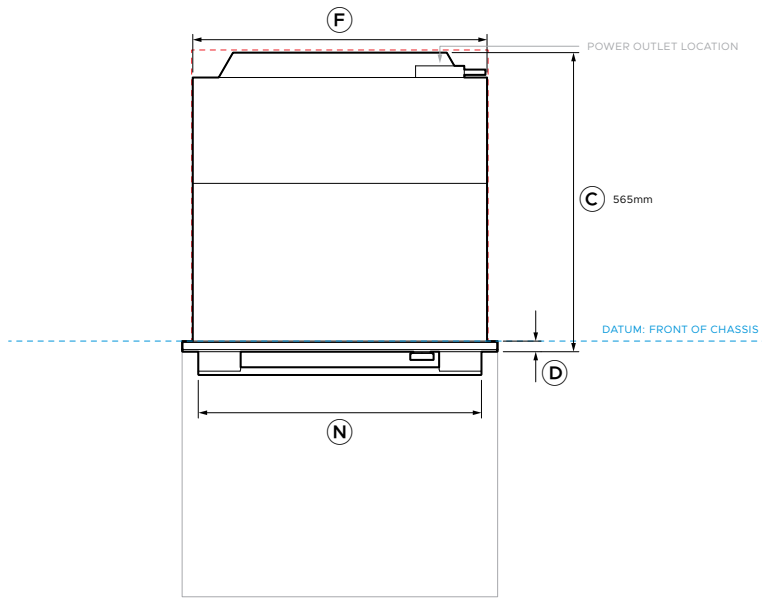
	<b>PYROLYTIC OVEN</b> OB60SACPUDX5	<b>COMBI-STEAM OVEN</b> OS60SACHUDX5, OS60SACVUDX5	<b>COMPACT COMBI-STEAM OVEN</b> OS60NACHUDX5, OS60NACVUDX5	<b>COMPACT COMBI-MICROWAVE OVEN</b> OM60NCUDX5	<b>BUILT-IN COFFEE MAKER</b> EB60CSX3	<b>TALL WARMING DRAWER</b> WB60SCTX3 <b>INTEGRATED TALL WARMING DRAWER</b> WB60SDTEI3	<b>WARMING DRAWER</b> WB60SCX3 <b>INTEGRATED WARMING DRAWER</b> WB60SDEI3	<b>VACUUM SEAL DRAWER</b> VB60SCX3 <b>INTEGRATED VACUUM SEAL DRAWER</b> VB60SDEI3
<b>PRODUCT REQUIREMENTS</b>								
Dedicated Circuit (A)	16	16	16	16	10	10	10	10
Rated Power (W)	2800 - 3300	2800 - 3300	2800 - 3300	3350 - 3800	1350	810	810	320
Supply (Hz)	50	50	50	50	50	50	50	50
Voltage (V)	220 - 240	220 - 240	220 - 240	220 - 240	220 - 240	220 - 240	220 - 240	220 - 240
Connection	Hard-wired min 1500mm**	Hard-wired min 1500mm**	Hard-wired min 1500mm**	Hard-wired min 1500mm**	Flex cord 1700mm*	Flex cord 1800mm*	Flex cord 1800mm*	Flex cord 1800mm*
<b>CAPACITY</b>								
Total Oven capacity	85L	85L	55L	49L	-	-	-	-
Total water tank capacity	-	Series 11 - 1.4L Series 9 - 0.67L	Series 11 - 1.4L Series 9 - 0.67L	-	2.4L	-	-	-
<b>WEIGHTS</b>								
Packaged	51kg	Series 11 - 63kg Series 9 - 56kg	Series 11 - 52kg Series 9 - 47kg	47kg	29kg	25kg Integrated 23kg	22kg Integrated 18kg	42kg Integrated 33kg
Unpackaged	43kg	Series 11 - 51kg Series 9 - 43kg	Series 11 - 41kg Series 9 - 36kg	38kg	19.5kg	20kg Integrated 20kg	18kg Integrated 15kg	35kg Integrated 28kg

\*Supplied with product. \*\*The electrician is required to provide a free length of power supply cable extending at least 1500mm in front of the bottom edge of the cavity opening.  
Note: For multi-residential installations, use the Rated Power to calculate the demand.

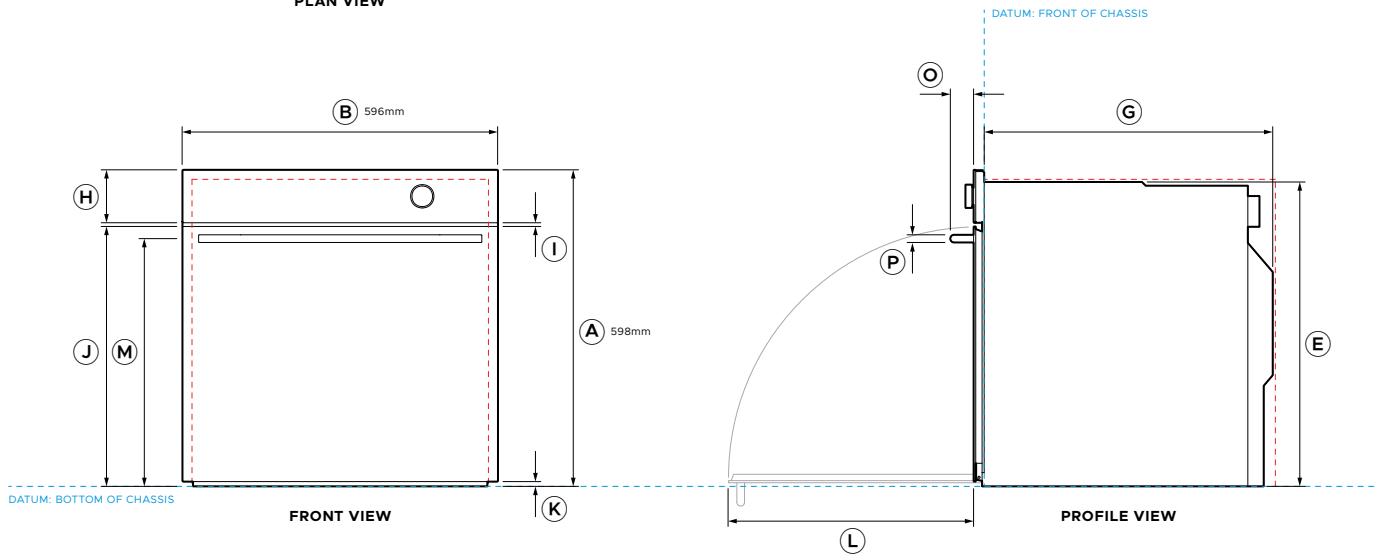
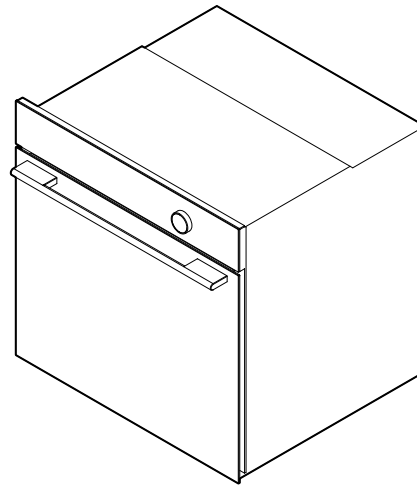
Note: All Coffee Makers and Steam Ovens have internal water tanks which need to be filled manually. No external water supply is required.

The models shown in this Planning Guide may not be available in all markets and are subject to change at any time. Product specifications may vary from those shown. This Planning Guide should not be used as installation guidance for any product. Further information is required to safely and correctly install the products featured here. Specific installation guidance will be available with the product on delivery and on our website [fisherpaykel.com](http://fisherpaykel.com)

## DATA SHEETS

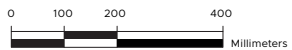


PLAN VIEW



FRONT VIEW

PROFILE VIEW



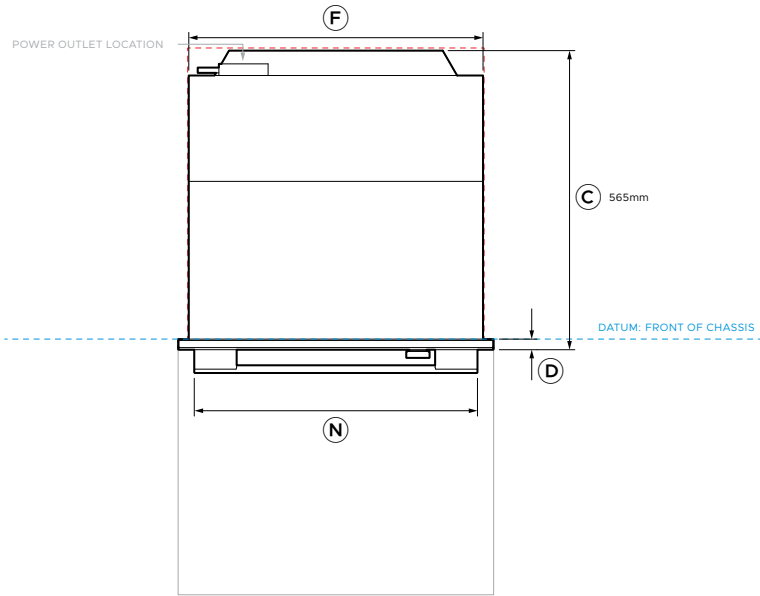
**Model no:**  
**OB60SACPUDX5** 60cm Series 9 Contemporary Pyrolytic Oven

Product Dimensions		mm
<b>A</b>	Overall product height	598
<b>B</b>	Overall product width	596
<b>C</b>	Overall product depth (excludes handle)	565
<b>D</b>	Front frame depth (excludes handle)	20
<b>E</b>	Chassis height	575
<b>F</b>	Chassis width	556
<b>G</b>	Chassis depth	545
<b>H</b>	Control panel height	100
<b>I</b>	Door-to-control panel gap	7
<b>J</b>	Door upper edge height (from chassis base datum)	491
<b>K</b>	Door lower edge height (from chassis base datum)	9
<b>L</b>	Door open depth at 90° (from product front)	463
<b>M</b>	Handle centreline height (from chassis base datum)	468
<b>N</b>	Handle width	535
<b>O</b>	Handle depth (projection)	44
<b>P</b>	Handle thickness	15

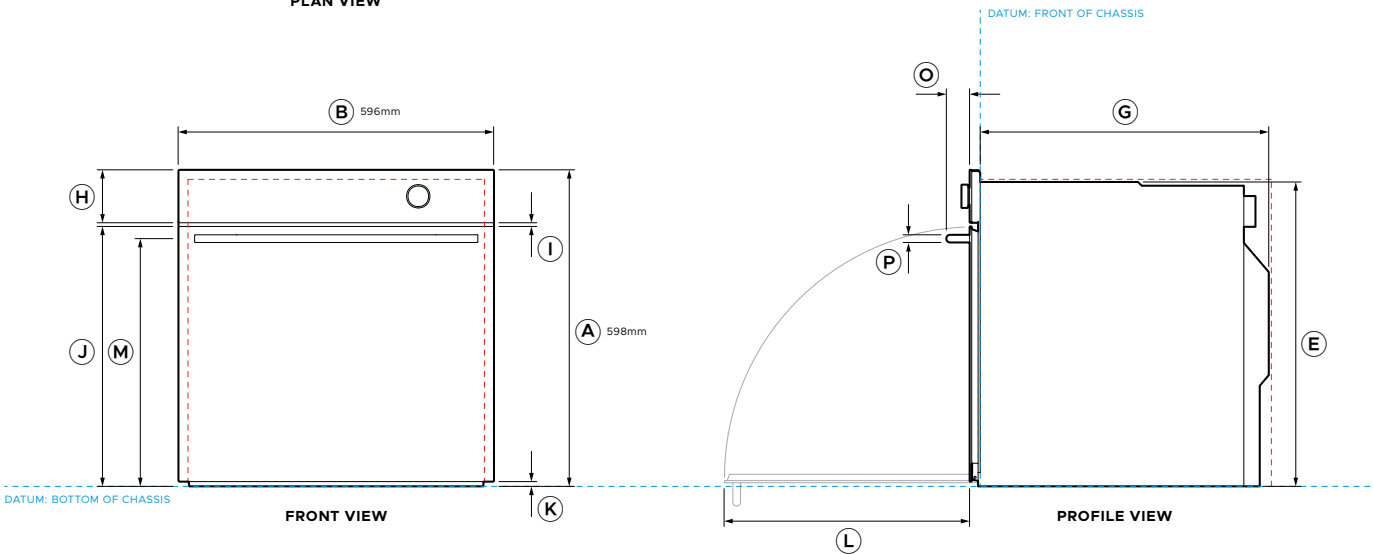
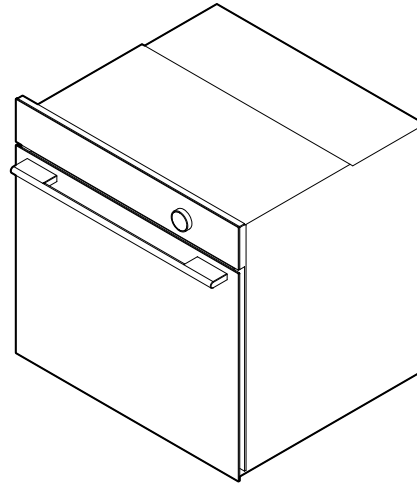
Minimum Clearances		mm
	Cavity height	min 580
	Cavity width	min 560
	Cavity depth (from chassis front datum)	min 550
	Front frame clearance - top & sides	min 2

----- INDICATES PRODUCT DATUM  
 - - - - - INDICATES CABINETRY CLEARANCES

IMPORTANT NOTE: Throughout this guide, dimensions may vary by ±2mm (1/16"). Please read the installation manual for detailed information on installing the product. For full installation instructions & specifications visit [fisherpaykel.com](http://fisherpaykel.com)

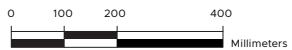


PLAN VIEW



FRONT VIEW

PROFILE VIEW



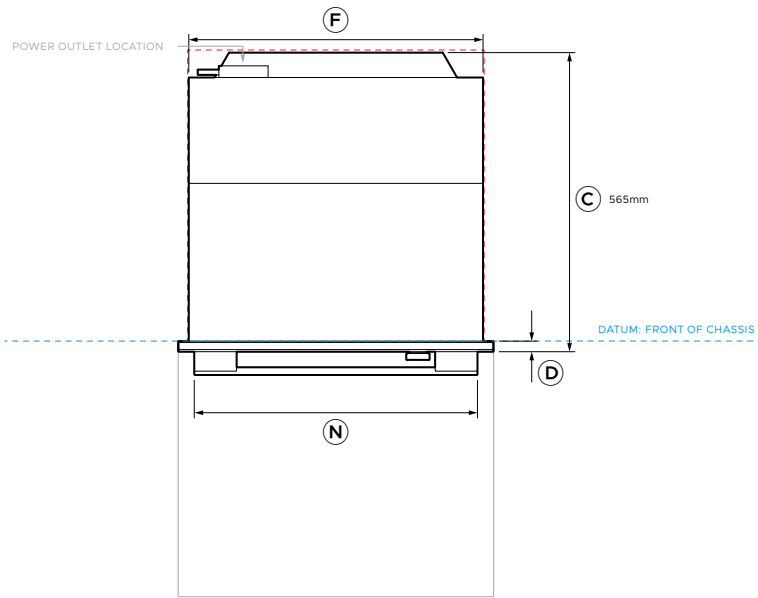
**Model no:**  
OS60SACHUDX5 60cm Series 11 Contemporary Combi-Steam Oven

Product Dimensions		mm
<b>A</b>	Overall product height	598
<b>B</b>	Overall product width	596
<b>C</b>	Overall product depth (excludes handle)	565
<b>D</b>	Front frame depth (excludes handle)	20
<b>E</b>	Chassis height	575
<b>F</b>	Chassis width	556
<b>G</b>	Chassis depth	545
<b>H</b>	Control panel height	100
<b>I</b>	Door-to-control panel gap	7
<b>J</b>	Door upper edge height (from chassis base datum)	491
<b>K</b>	Door lower edge height (from chassis base datum)	9
<b>L</b>	Door open depth at 90° (from product front)	463
<b>M</b>	Handle centreline height (from chassis base datum)	468
<b>N</b>	Handle width	535
<b>O</b>	Handle depth (projection)	44
<b>P</b>	Handle thickness	15

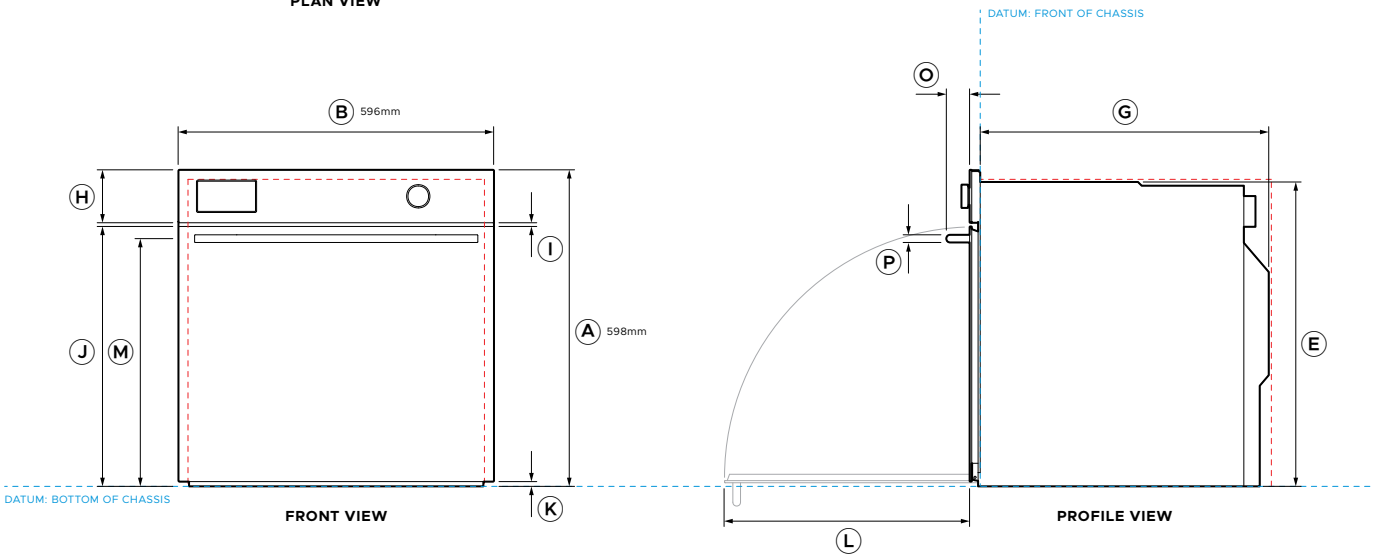
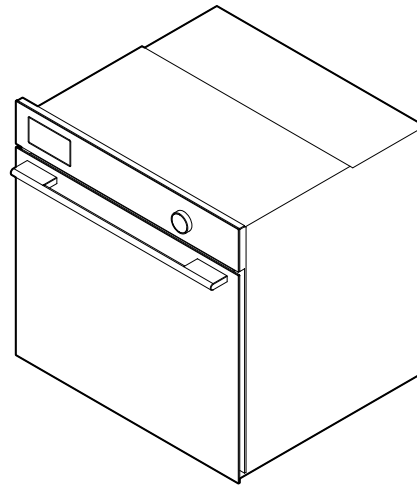
Minimum Clearances		mm
	Cavity height	min 580
	Cavity width	min 560
	Cavity depth (from chassis front datum)	min 550
	Front frame clearance - top & sides	min 2

----- INDICATES PRODUCT DATUM  
----- INDICATES CABINETRY CLEARANCES

IMPORTANT NOTE: Throughout this guide, dimensions may vary by ±2mm (1/16"). Please read the installation manual for detailed information on installing the product. For full installation instructions & specifications visit [fisherpaykel.com](http://fisherpaykel.com)

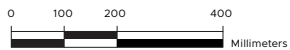


PLAN VIEW



FRONT VIEW

PROFILE VIEW



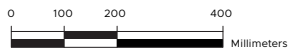
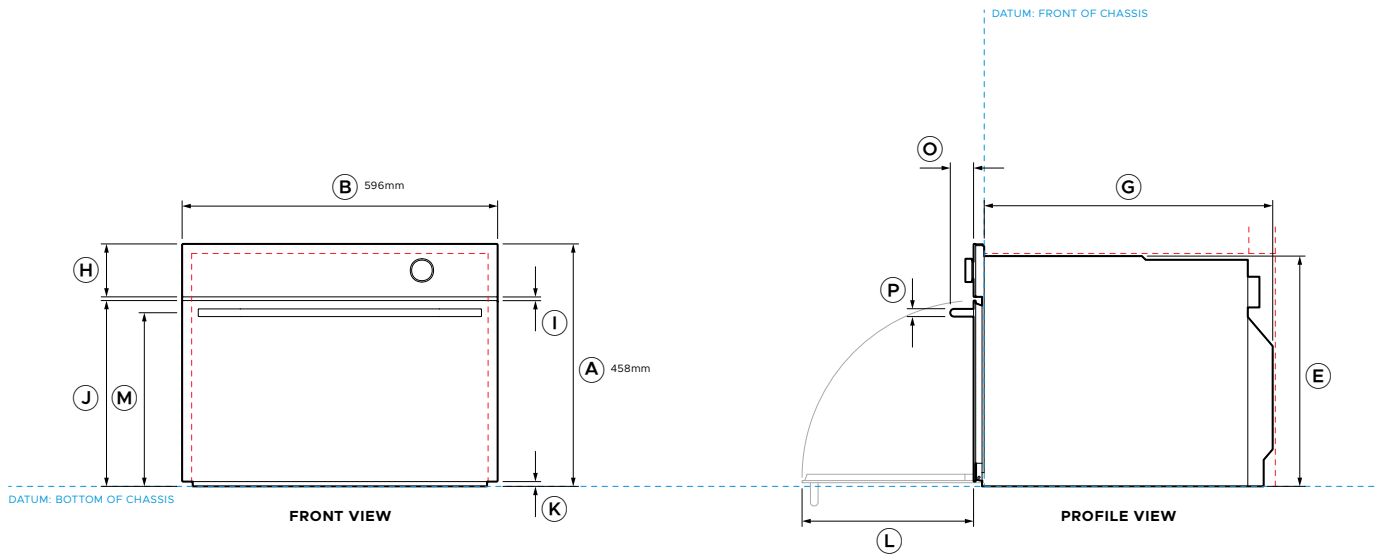
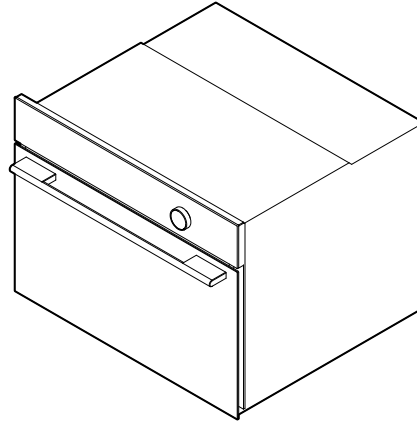
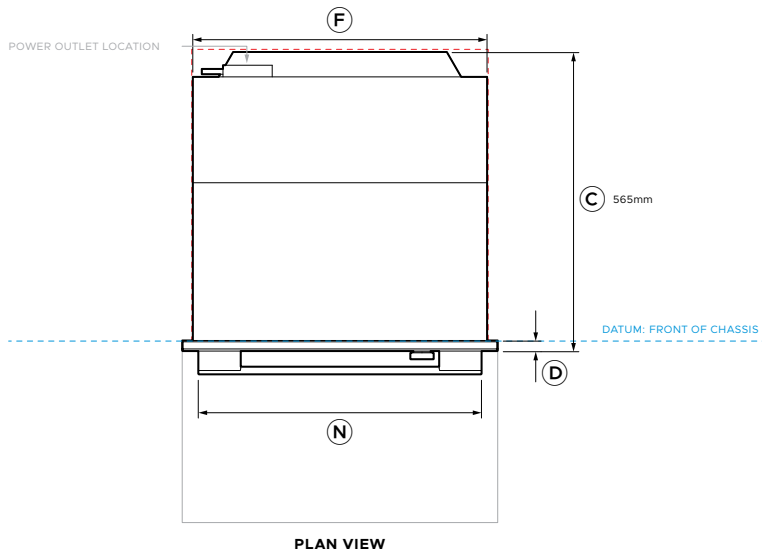
**Model no:**  
OS60SACVUDX5 60cm Series 9 Contemporary Combi-Steam Oven

Product Dimensions		mm
<b>A</b>	Overall product height	598
<b>B</b>	Overall product width	596
<b>C</b>	Overall product depth (excludes handle)	565
<b>D</b>	Front frame depth (excludes handle)	20
<b>E</b>	Chassis height	575
<b>F</b>	Chassis width	556
<b>G</b>	Chassis depth	545
<b>H</b>	Control panel height	100
<b>I</b>	Door-to-control panel gap	7
<b>J</b>	Door upper edge height (from chassis base datum)	491
<b>K</b>	Door lower edge height (from chassis base datum)	9
<b>L</b>	Door open depth at 90° (from product front)	463
<b>M</b>	Handle centreline height (from chassis base datum)	328
<b>N</b>	Handle width	535
<b>O</b>	Handle depth (projection)	44
<b>P</b>	Handle thickness	15

Minimum Clearances		mm
	Cavity height	min 580
	Cavity width	min 560
	Cavity depth (from chassis front datum)	min 550
	Front frame clearance - top & sides	min 2

----- INDICATES PRODUCT DATUM  
----- INDICATES CABINERY CLEARANCES

IMPORTANT NOTE: Throughout this guide, dimensions may vary by ±2mm (1/16"). Please read the installation manual for detailed information on installing the product. For full installation instructions & specifications visit [fisherpaykel.com](http://fisherpaykel.com)



**Model no:**

**OS60NACHUDX5**

60cm Series 11 Contemporary Compact Combi-Steam Oven

**Product Dimensions**

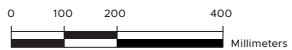
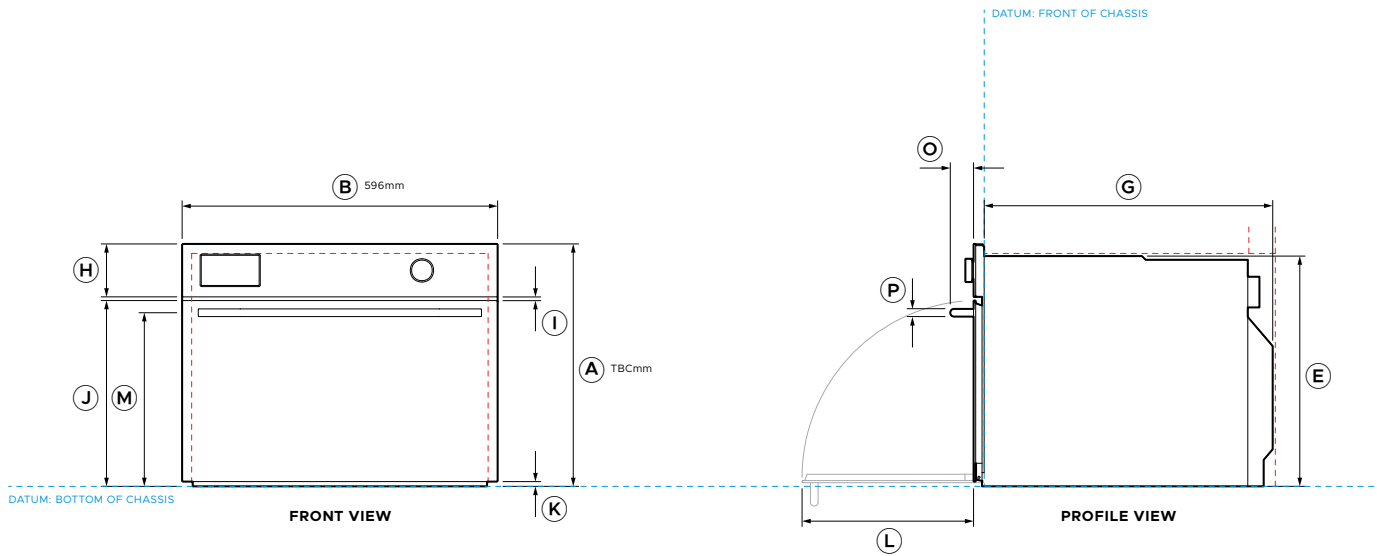
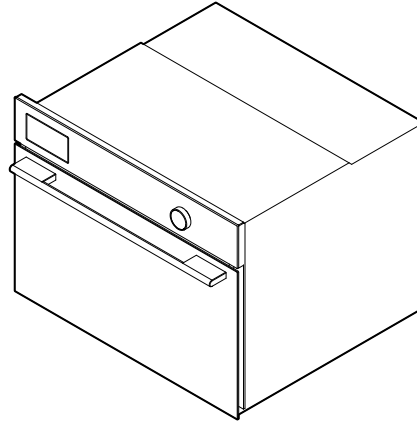
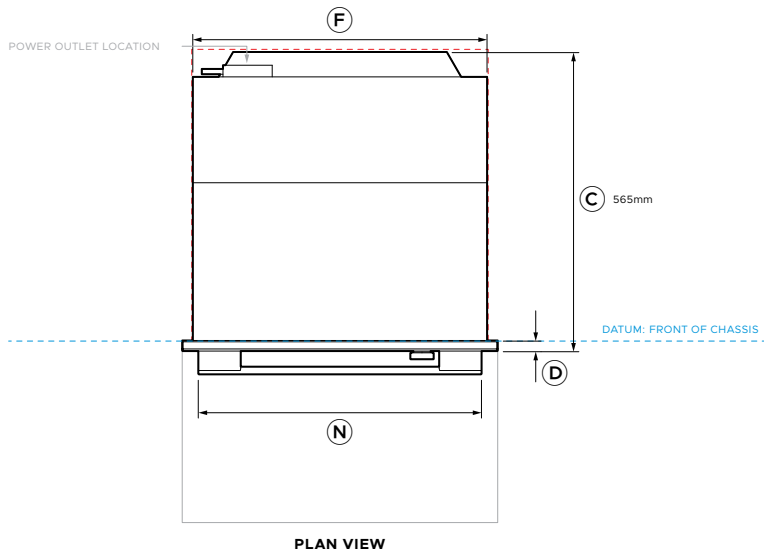
	<b>mm</b>
<b>A</b> Overall product height	458
<b>B</b> Overall product width	596
<b>C</b> Overall product depth (excludes handle)	565
<b>D</b> Front frame depth (excludes handle)	20
<b>E</b> Chassis height	435
<b>F</b> Chassis width	556
<b>G</b> Chassis depth	545
<b>H</b> Control panel height	100
<b>I</b> Door-to-control panel gap	7
<b>J</b> Door upper edge height (from chassis base datum)	351
<b>K</b> Door lower edge height (from chassis base datum)	9
<b>L</b> Door open depth at 90° (from product front)	324
<b>M</b> Handle centreline height (from chassis base datum)	328
<b>N</b> Handle width	535
<b>O</b> Handle depth (projection)	44
<b>P</b> Handle thickness	15

**Minimum Clearances**

	<b>mm</b>
Cavity height	min 440
Cavity width	min 560
Cavity depth (from chassis front datum)	min 550
Front frame clearance - top & sides	min 2

----- INDICATES PRODUCT DATUM  
 - - - - - INDICATES CABINETRY CLEARANCES

IMPORTANT NOTE: Throughout this guide, dimensions may vary by ±2mm (1/16"). Please read the installation manual for detailed information on installing the product. For full installation instructions & specifications visit [fisherpaykel.com](http://fisherpaykel.com)



**Model no:**

**OS60NACVUDX5**

60cm Series 9 Contemporary Compact Combi-Steam Oven

**Product Dimensions**

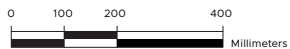
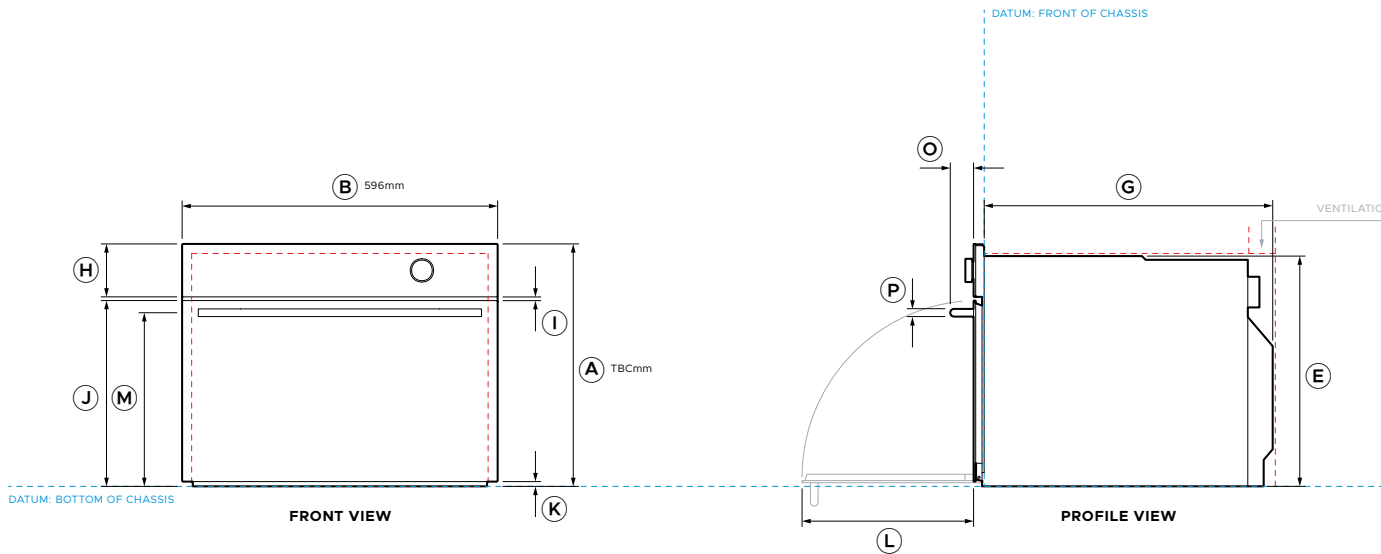
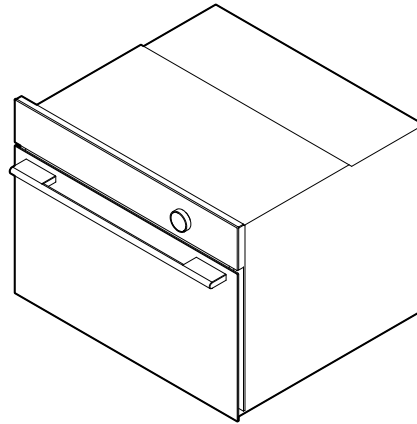
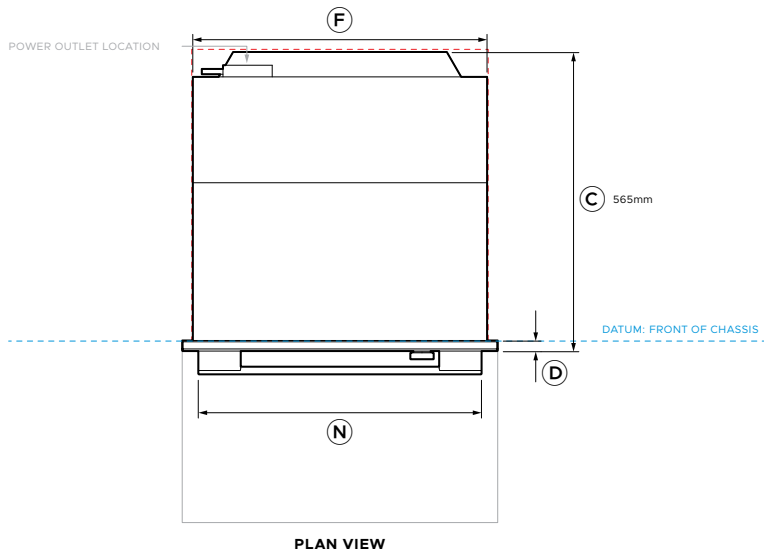
	<b>mm</b>
<b>A</b> Overall product height	458
<b>B</b> Overall product width	596
<b>C</b> Overall product depth (excludes handle)	565
<b>D</b> Front frame depth (excludes handle)	20
<b>E</b> Chassis height	435
<b>F</b> Chassis width	556
<b>G</b> Chassis depth	545
<b>H</b> Control panel height	100
<b>I</b> Door-to-control panel gap	7
<b>J</b> Door upper edge height (from chassis base datum)	351
<b>K</b> Door lower edge height (from chassis base datum)	9
<b>L</b> Door open depth at 90° (from product front)	324
<b>M</b> Handle centreline height (from chassis base datum)	328
<b>N</b> Handle width	535
<b>O</b> Handle depth (projection)	44
<b>P</b> Handle thickness	15

**Minimum Clearances**

	<b>mm</b>
Cavity height	min 440
Cavity width	min 560
Cavity depth (from chassis front datum)	min 550
Front frame clearance - top & sides	min 2

----- INDICATES PRODUCT DATUM  
 - - - - - INDICATES CABINETRY CLEARANCES

IMPORTANT NOTE: Throughout this guide, dimensions may vary by ±2mm (1/16"). Please read the installation manual for detailed information on installing the product. For full installation instructions & specifications visit [fisherpaykel.com](http://fisherpaykel.com)



**Model no:**  
**OM60NCUDX5** 60cm Series 9 Contemporary Compact Combi-Microwave Oven

Product Dimensions		mm
<b>A</b>	Overall product height	458
<b>B</b>	Overall product width	596
<b>C</b>	Overall product depth (excludes handle)	565
<b>D</b>	Front frame depth (excludes handle)	20
<b>E</b>	Chassis height	435
<b>F</b>	Chassis width	556
<b>G</b>	Chassis depth	545
<b>H</b>	Control panel height	100
<b>I</b>	Door-to-control panel gap	7
<b>J</b>	Door upper edge height (from chassis base datum)	351
<b>K</b>	Door lower edge height (from chassis base datum)	9
<b>L</b>	Door open depth at 90° (from product front)	324
<b>M</b>	Handle centreline height (from chassis base datum)	328
<b>N</b>	Handle width	535
<b>O</b>	Handle depth (projection)	44
<b>P</b>	Handle thickness	15

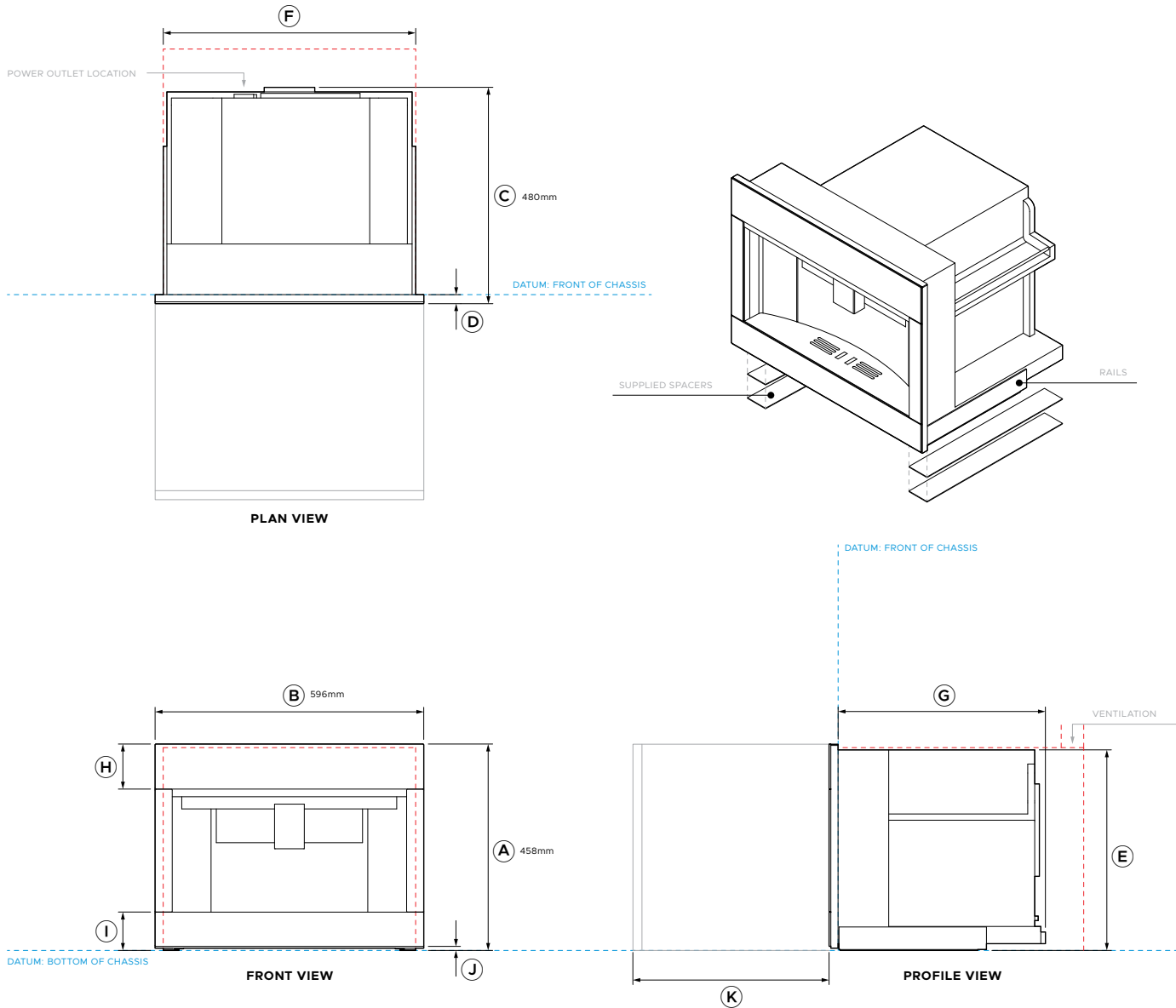
Minimum Clearances		mm
	Cavity height	min 440
	Cavity width	min 560
	Cavity depth (from chassis front datum)	min 550
	Front frame clearance - top & sides	min 2

Ventilation Requirements		mm
	Rear ventilation opening height*	min 50
	Rear ventilation opening width*	min 560

\*Minimum total ventilation area of 280cm<sup>2</sup> is required. The ventilation opening must be located at the rear of the cavity and may be positioned at the base, sides, or top of the cavity.

----- INDICATES PRODUCT DATUM  
----- INDICATES CABINETRY CLEARANCES

IMPORTANT NOTE: Throughout this guide, dimensions may vary by ±2mm (1/16"). Please read the installation manual for detailed information on installing the product. For full installation instructions & specifications visit [fisherpaykel.com](http://fisherpaykel.com)



**Model no:**  
**EB60CSX3** 60cm Series 9 Contemporary Built-in Coffee Maker

Product Dimensions		mm
<b>A</b>	Overall product height	458
<b>B</b>	Overall product width	596
<b>C</b>	Overall product depth (includes power plug)	480
<b>D</b>	Front frame depth	20
<b>E</b>	Chassis height (includes side rails)*	445
<b>F</b>	Chassis width (includes side rails)*	560
<b>G</b>	Chassis depth	460
<b>H</b>	Control panel height	100
<b>I</b>	Base panel upper edge height	85
<b>J</b>	Base panel lower edge height (from chassis base datum)	9
<b>K</b>	Product extension	max 435

\*Side rails are attached to the product and cabinetry during installation.

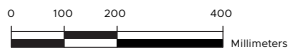
Minimum Clearances		mm
Cavity height		min 450
Cavity width		min 560
Cavity depth (from chassis front datum)		min 545
Front frame clearance - top & sides		min 2

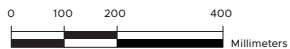
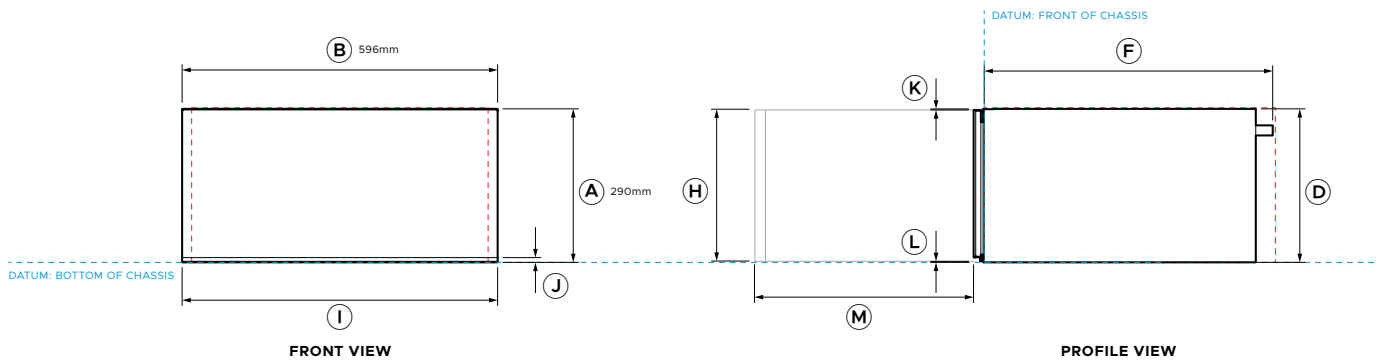
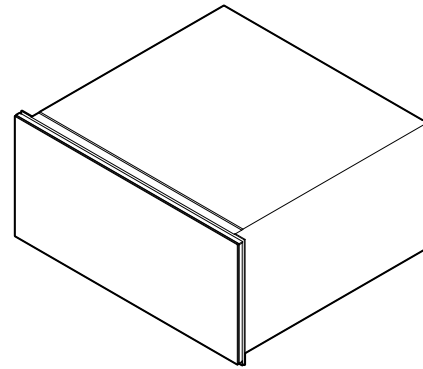
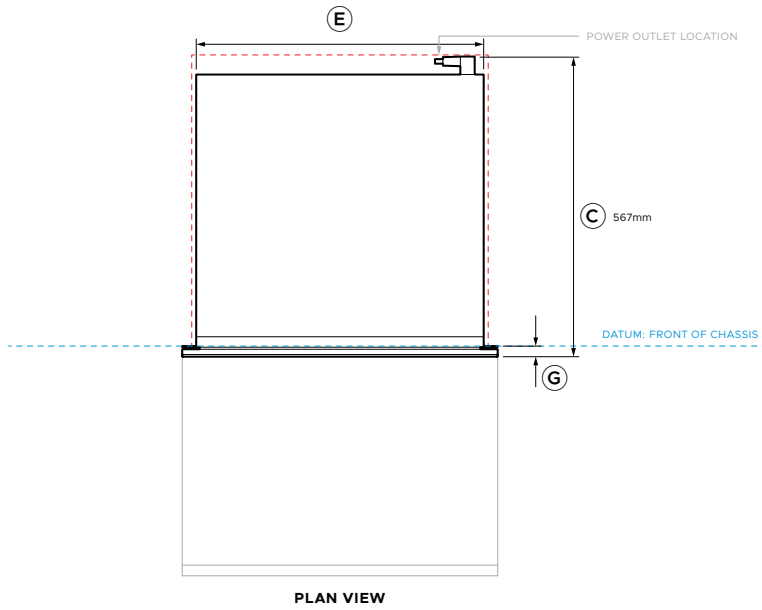
Ventilation Requirements		mm
Rear ventilation opening height*		min 50
Rear ventilation opening width*		min 560

\*Minimum total ventilation area of 280cm<sup>2</sup> is required. The ventilation opening must be located at the rear of the cavity and may be positioned at the base, sides, or top of the cavity.

----- INDICATES PRODUCT DATUM  
 ----- INDICATES CABINETRY CLEARANCES

**IMPORTANT NOTE:** Throughout this guide, dimensions may vary by ±2mm (1/16"). Please read the installation manual for detailed information on installing the product. For full installation instructions & specifications visit [fisherpaykel.com](http://fisherpaykel.com)





**Model no:**  
WB60SCTX3 60cm Series 9 Contemporary Tall Warming Drawer

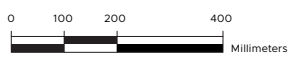
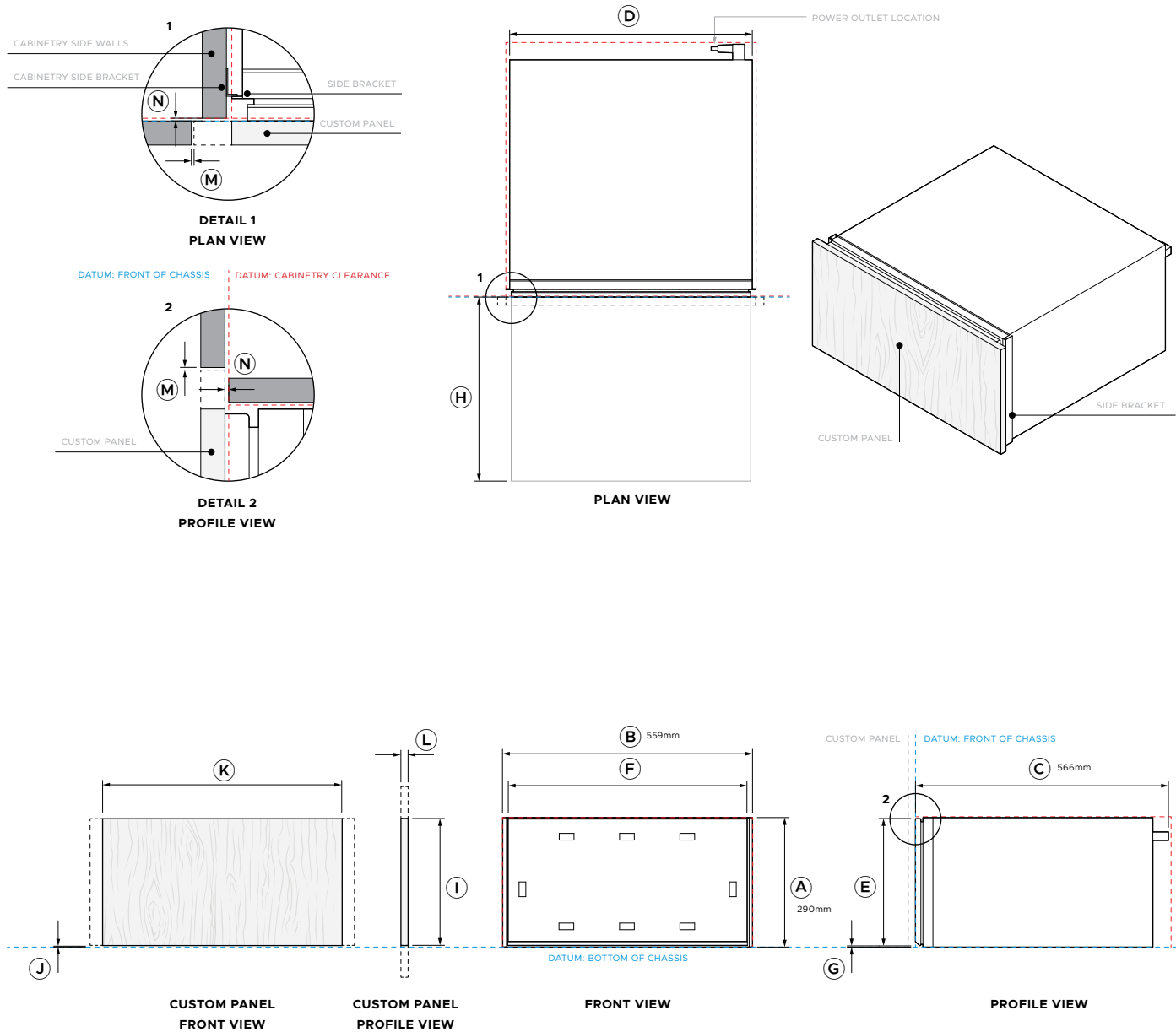
Product Dimensions		mm
<b>A</b>	Overall product height	290
<b>B</b>	Overall product width	596
<b>C</b>	Overall product depth (includes power plug)	567
<b>D</b>	Chassis height	290
<b>E</b>	Chassis width	543
<b>F</b>	Chassis depth	547
<b>G</b>	Front frame depth (includes flange and front panel)	20
<b>H</b>	Front panel height	286
<b>I</b>	Front panel width	596
<b>J</b>	Front panel lower visual edge height (from chassis base datum)	9
<b>K</b>	Front panel upper edge to top of chassis	2
<b>L</b>	Front panel lower true edge height (from chassis base datum)	2
<b>M</b>	Drawer extension	max 414

Minimum Clearances		mm
Cavity height		
- standalone installation		min 292
- stack installation		290
Cavity width		min 560
Cavity depth (from chassis front datum)		min 550
Front frame clearance - top & sides		min 2

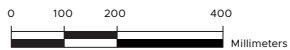
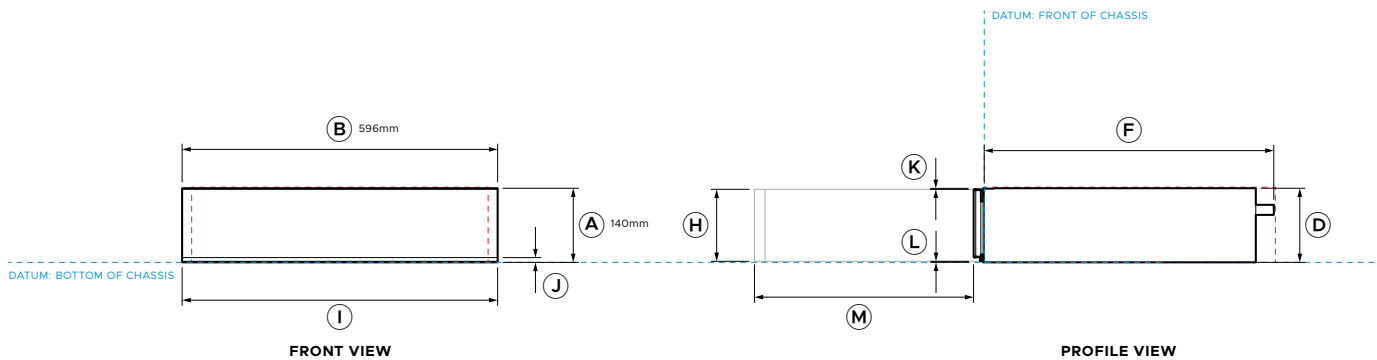
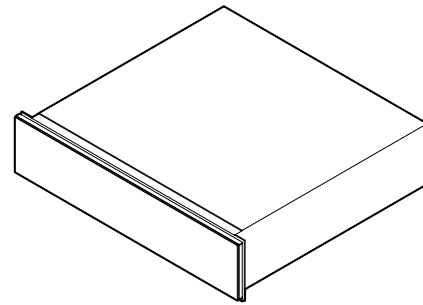
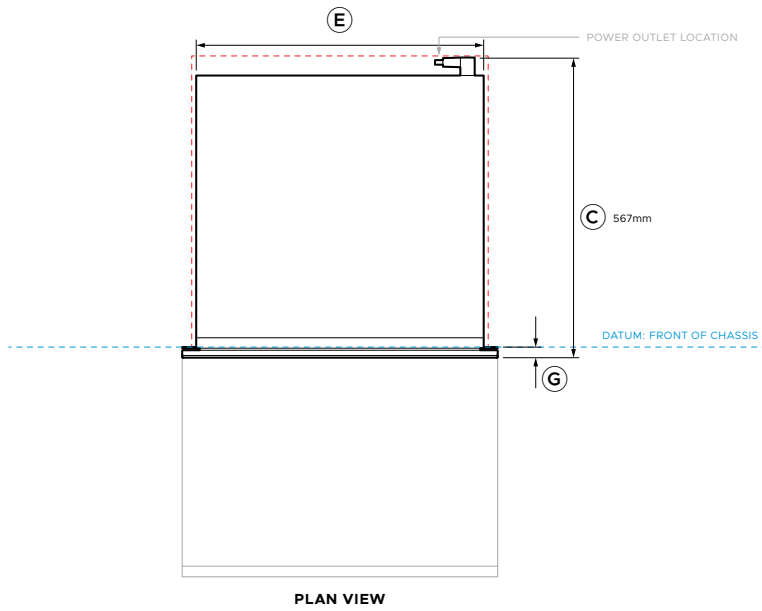
Note: 60cm Fisher & Paykel ovens can be installed directly onto the drawer. An intermediate shelf is not required.

----- INDICATES PRODUCT DATUM  
 - - - - - INDICATES CABINETRY CLEARANCES

IMPORTANT NOTE: Throughout this guide, dimensions may vary by ±2mm (1/16"). Please read the installation manual for detailed information on installing the product. For full installation instructions & specifications visit [fisherpaykel.com](http://fisherpaykel.com)



<b>Model no:</b>		
<b>WB60SDTEI3</b>	60cm Series 9 Integrated Tall Warming Drawer	
<b>Product Dimensions</b>		
<b>A</b>	Overall product height	290
<b>B</b>	Overall product width	559
<b>C</b>	Overall product depth (includes power plug and flange)	566
<b>D</b>	Chassis width (excludes side brackets)	543
<b>E</b>	Inner panel height	284
<b>F</b>	Inner panel width	536
<b>G</b>	Inner panel lower edge height	2
<b>H</b>	Drawer extension	max 414
<b>Custom Panel Dimensions</b>		
<b>I</b>	Custom panel height	min 286
<b>J</b>	Custom panel lower edge height above base datum	max 2
<b>K</b>	Custom panel width	min 536
	Custom panel width to match F&P 60cm products	596
<b>L</b>	Custom panel thickness	min 16
	Custom panel weight	max 5kg
Note: The custom panel can be extended on all sides. Once installed, the panel can be vertically adjusted to align with adjacent cabinetry.		
<b>Minimum Clearances</b>		<b>mm</b>
Cavity height		
- standalone installation		min 292
- stack installation		290
Cavity width		min 560
		max 568
Cavity depth		min 570
<b>M</b>	Custom panel clearance - top & sides	min 2
<b>N</b>	Push-to-open clearance*	min 2
*Required gap between back of custom panel and cabinet frame for push-to-open actuation. Installation spacer included.		
Note: 60cm Fisher & Paykel ovens can be installed directly onto the drawer. An intermediate shelf is not required.		
----- INDICATES PRODUCT DATUM - - - - - INDICATES CABINTRY CLEARANCES		
IMPORTANT NOTE: Throughout this guide, dimensions may vary by ±2mm (1/16"). Please read the installation manual for detailed information on installing the product. For full installation instructions & specifications visit fisherpaykel.com		



**Model no:**  
**WB60SCX3**      60cm Series 9 Contemporary Warming Drawer

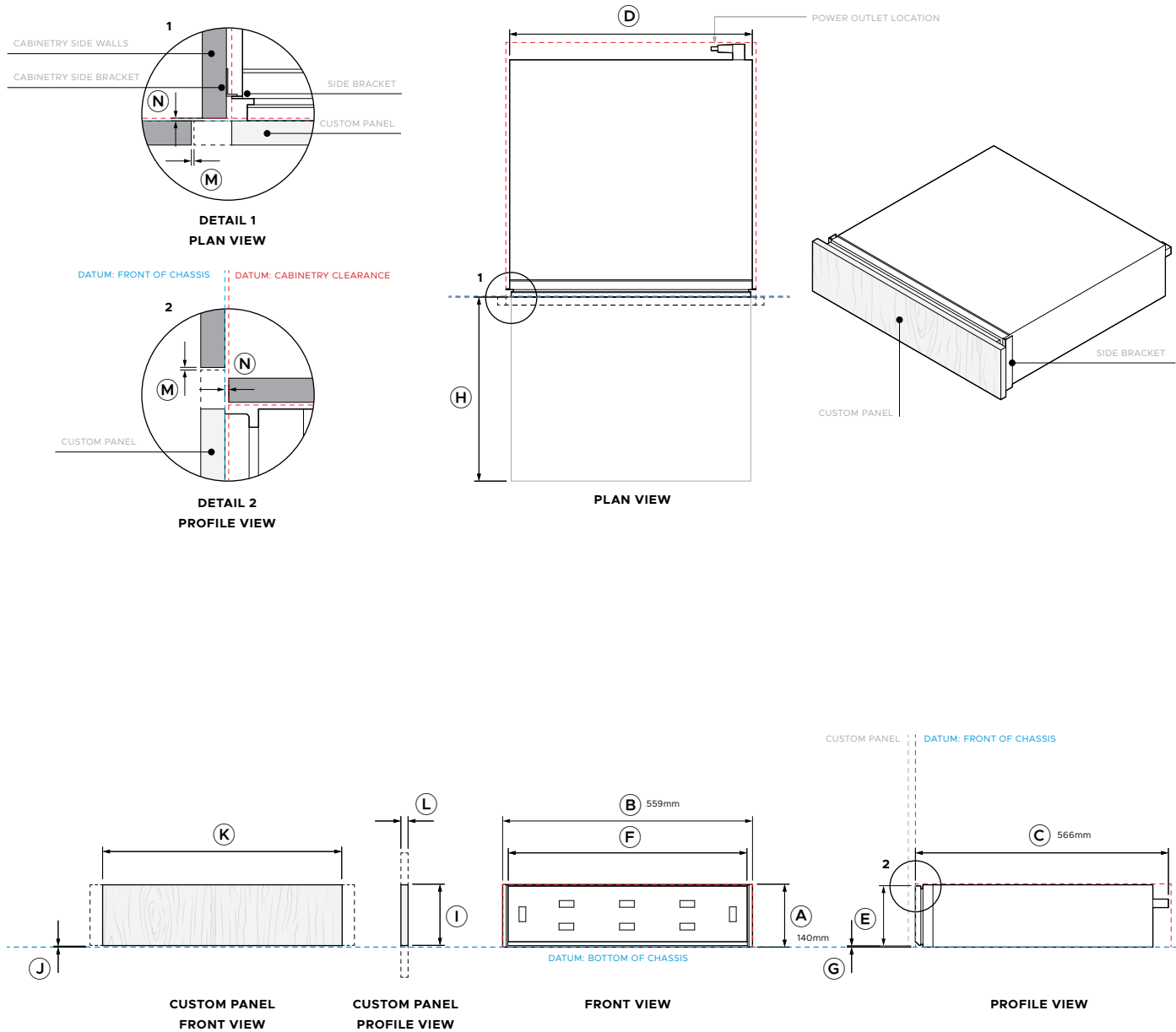
Product Dimensions		mm
<b>A</b>	Overall product height	140
<b>B</b>	Overall product width	596
<b>C</b>	Overall product depth (includes power plug)	567
<b>D</b>	Chassis height	140
<b>E</b>	Chassis width	543
<b>F</b>	Chassis depth	547
<b>G</b>	Front frame depth (includes flange and front panel)	20
<b>H</b>	Front panel height	136
<b>I</b>	Front panel width	596
<b>J</b>	Front panel lower visual edge height (from chassis base datum)	9
<b>K</b>	Front panel upper edge to top of chassis	2
<b>L</b>	Front panel lower true edge height (from chassis base datum)	2
<b>M</b>	Drawer extension	max 414

Minimum Clearances		mm
Cavity height		
- standalone installation		min 142
- stack installation		140
Cavity width		min 560
Cavity depth (from chassis front datum)		min 550
Front frame clearance - top & sides		min 2

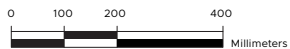
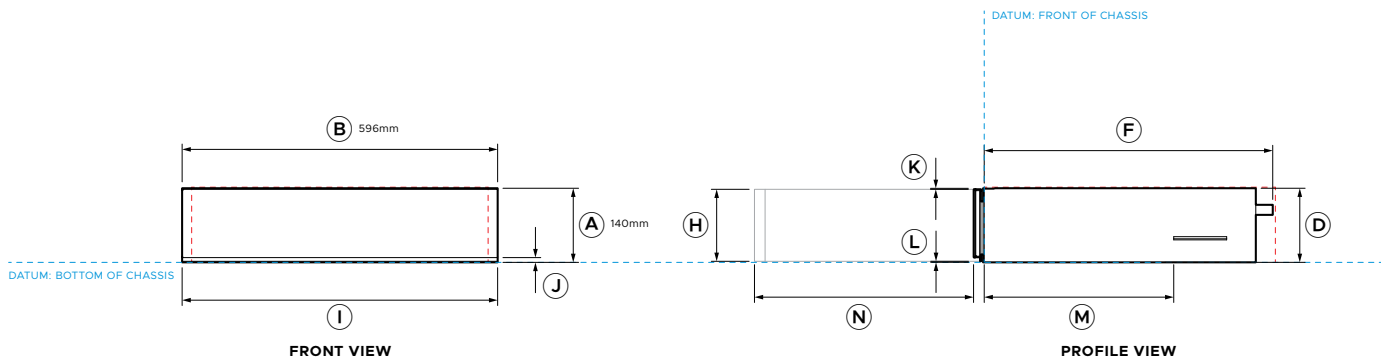
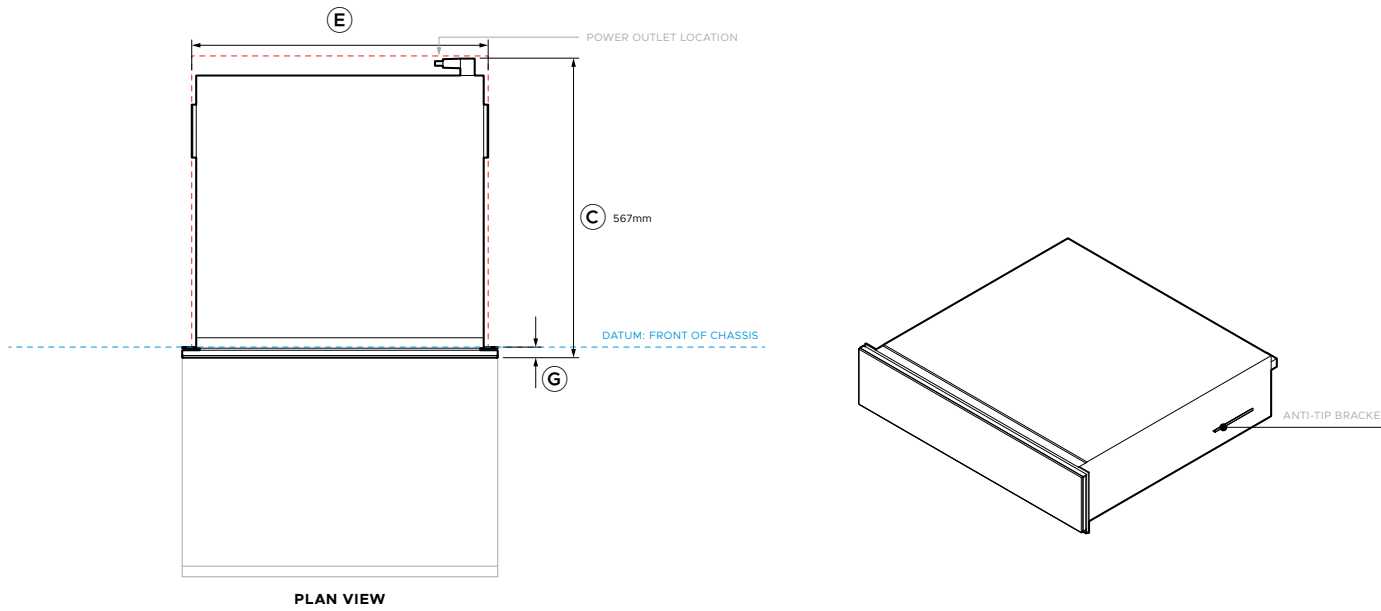
Note: 60cm Fisher & Paykel ovens can be installed directly onto the drawer. An intermediate shelf is not required.

----- INDICATES PRODUCT DATUM  
- - - - - INDICATES CABINETRY CLEARANCES

IMPORTANT NOTE: Throughout this guide, dimensions may vary by ±2mm (1/16"). Please read the installation manual for detailed information on installing the product. For full installation instructions & specifications visit [fisherpaykel.com](http://fisherpaykel.com)



<b>Model no:</b>	
<b>WB60SDEI3</b>	60cm Series 9 Integrated Warming Drawer
<b>Product Dimensions</b>	
<b>A</b>	Overall product height
<b>B</b>	Overall product width
<b>C</b>	Overall product depth (includes power plug and flange)
<b>D</b>	Chassis width (excludes side brackets)
<b>E</b>	Inner panel height
<b>F</b>	Inner panel width
<b>G</b>	Inner panel lower edge height
<b>H</b>	Drawer extension
<b>Custom Panel Dimensions</b>	
<b>I</b>	Custom panel height
<b>J</b>	Custom panel lower edge height above base datum
<b>K</b>	Custom panel width
	Custom panel width to match F&P 60cm products
<b>L</b>	Custom panel thickness
	Custom panel weight
Note: The custom panel can be extended on all sides. Once installed, the panel can be vertically adjusted to align with adjacent cabinetry.	
<b>Minimum Clearances</b>	
Cavity height	
- standalone installation	min 142
- stack installation	140
Cavity width	
	min 560
	max 568
Cavity depth	
	min 570
<b>M</b>	Custom panel clearance - top & sides
<b>N</b>	Push-to-open clearance*
*Required gap between back of custom panel and cabinet frame for push-to-open actuation. Installation spacer included.	
Note: 60cm Fisher & Paykel ovens can be installed directly onto the drawer. An intermediate shelf is not required.	
----- INDICATES PRODUCT DATUM - - - - - INDICATES CABINTRY CLEARANCES	
IMPORTANT NOTE: Throughout this guide, dimensions may vary by ±2mm (1/16"). Please read the installation manual for detailed information on installing the product. For full installation instructions & specifications visit <a href="http://fisherpaykel.com">fisherpaykel.com</a>	



**Model no:**  
**VB60SCX3** 60cm Series 9 Contemporary Vacuum Seal Drawer

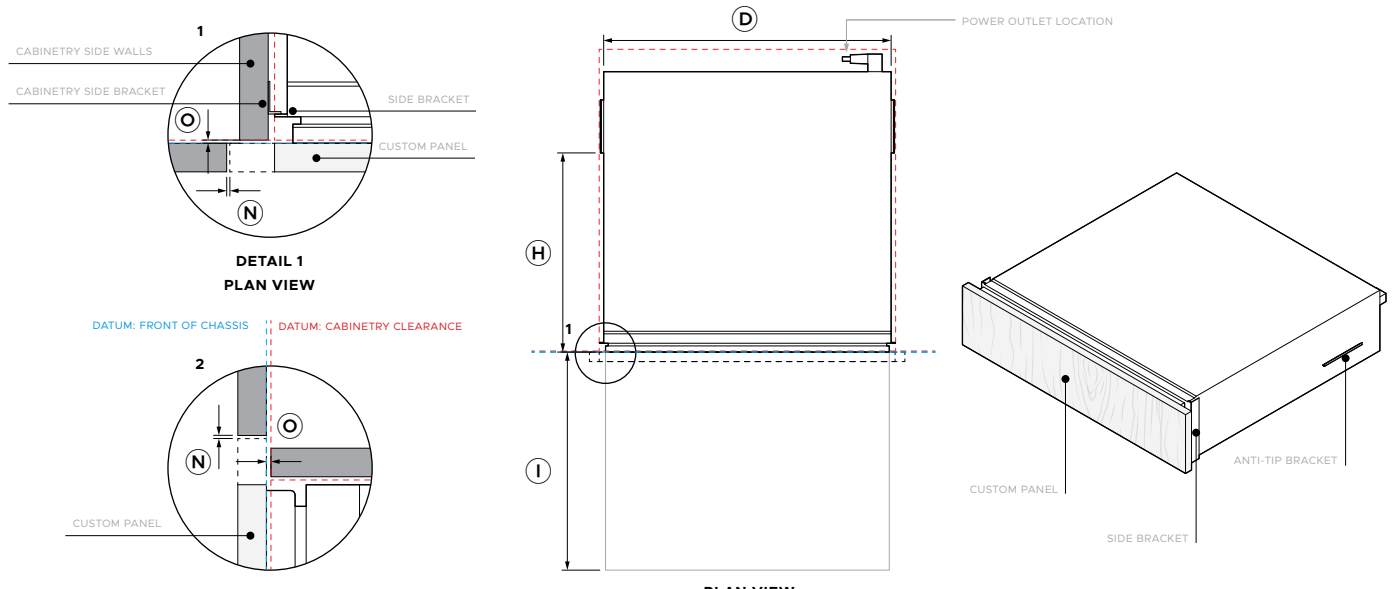
Product Dimensions		mm
<b>A</b>	Overall product height	140
<b>B</b>	Overall product width	596
<b>C</b>	Overall product depth (includes power plug)	565
<b>D</b>	Chassis height	140
<b>E</b>	Chassis width	556
<b>F</b>	Chassis depth	545
<b>G</b>	Front frame depth (includes flange and front panel)	20
<b>H</b>	Front panel height	136
<b>I</b>	Front panel width	596
<b>J</b>	Front panel lower visual edge height (from chassis base datum)	9
<b>K</b>	Front panel upper edge to top of chassis	2
<b>L</b>	Front panel lower true edge height (from chassis base datum)	2
<b>M</b>	Anit-tip bracket to front of chassis	358
<b>N</b>	Drawer extension	max 414

Minimum Clearances		mm
Cavity height		
- standalone installation		min 142
- stack installation		140
Cavity width		min 560
Cavity depth (from chassis front datum)		min 550
Front frame clearance - top & sides		min 2

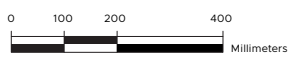
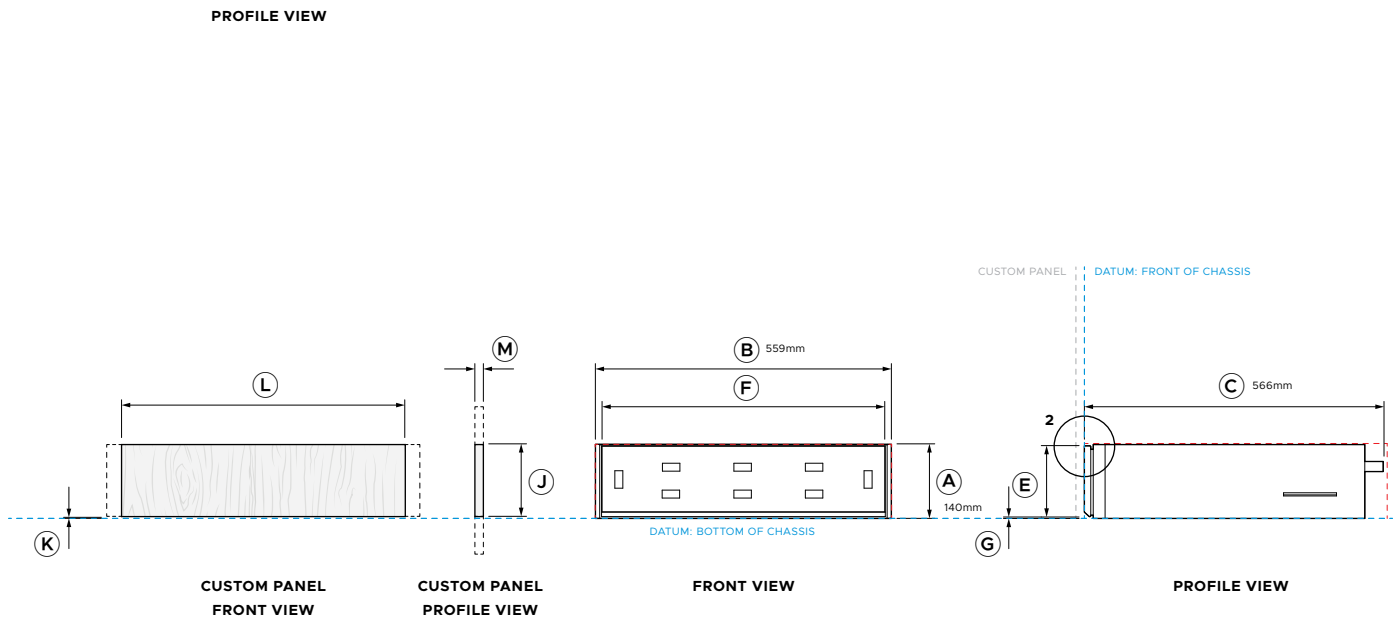
Note: 60cm Fisher & Paykel ovens can be installed directly onto the drawer. An intermediate shelf is not required.

----- INDICATES PRODUCT DATUM  
 - - - - - INDICATES CABINETRY CLEARANCES

IMPORTANT NOTE: Throughout this guide, dimensions may vary by ±2mm (1/16"). Please read the installation manual for detailed information on installing the product. For full installation instructions & specifications visit [fisherpaykel.com](http://fisherpaykel.com)



<b>Model no:</b>		
<b>VB60SDEI3</b>	60cm Series 9 Integrated Vacuum Seal Drawer	
<b>Product Dimensions</b>		
<b>A</b>	Overall product height	140
<b>B</b>	Overall product width	559
<b>C</b>	Overall product depth (includes power plug and flange)	563
<b>D</b>	Chassis width (excludes side brackets)	543
<b>E</b>	Inner panel height	134
<b>F</b>	Inner panel width	536
<b>G</b>	Inner panel lower edge height	2
<b>H</b>	Anit-tip bracket to front of chassis	376
<b>I</b>	Drawer extension	max 414
<b>Custom Panel Dimensions</b>		
<b>J</b>	Custom panel height	min 136
<b>K</b>	Custom panel lower edge height above base datum	max 2
<b>L</b>	Custom panel width	min 536
	Custom panel width to match F&P 60cm products	596
<b>M</b>	Custom panel thickness	min 16
	Custom panel weight	max 5kg
Note: The custom panel can be extended on all sides. Once installed, the panel can be vertically adjusted to align with adjacent cabinetry.		
<b>Minimum Clearances</b>		
Cavity height		
- standalone installation	min 142	
- stack installation	140	
Cavity width		
	min 560	
	max 568	
Cavity depth		
	min 570	
<b>N</b>	Custom panel clearance - top & sides	min 2
<b>O</b>	Push-to-open clearance*	min 2
*Required gap between back of custom panel and cabinet frame for push-to-open actuation. Installation spacer included.		
Note: 60cm Fisher & Paykel ovens can be installed directly onto the drawer. An intermediate shelf is not required.		
----- INDICATES PRODUCT DATUM		
----- INDICATES CABINTRY CLEARANCES		
IMPORTANT NOTE: Throughout this guide, dimensions may vary by ±2mm (1/16"). Please read the installation manual for detailed information on installing the product. For full installation instructions & specifications visit <a href="http://fisherpaykel.com">fisherpaykel.com</a>		



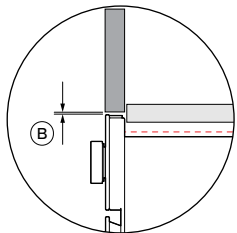
## PLANNING CONSIDERATIONS

**CABINETS CLEARANCES**

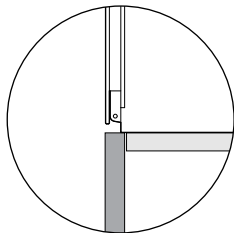
CLEARANCES		mm
<b>A</b>	Front/custom panel clearance - sides	min 2
<b>B</b>	Front/custom panel clearance - top	min 2

**UNDERBENCH**

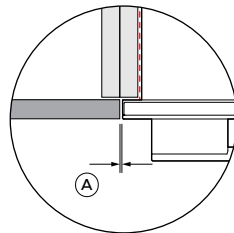
If installing a cooktop above the oven, ensure adequate clearance is provided for the cooktop as per the cooktop manufacturer's instructions.



**DETAIL 1**  
PROFILE VIEW

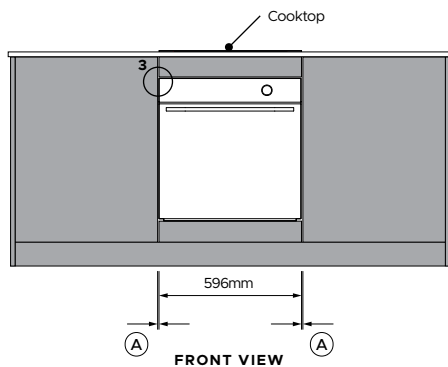


**DETAIL 2**  
PROFILE VIEW

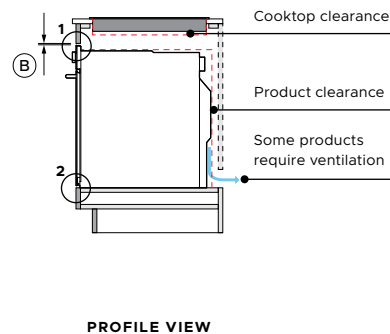


**DETAIL 3**  
PLAN VIEW

Products require no bottom clearance between product to cabinetry front panel or appliance.



**FRONT VIEW**



**PROFILE VIEW**

**INSTALLATION**

**SINGLE**

Head to the 'Data Sheets' section in this Planning Guide for details.

**STACKED OR GRID**

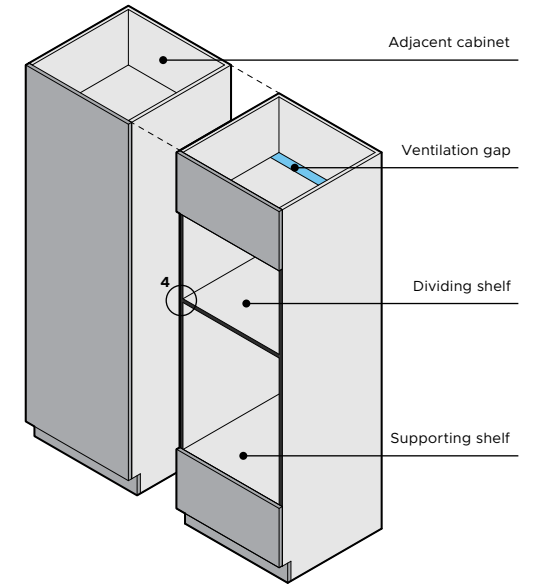
Head to the 'Stack Height' section in this Planning Guide for details.

**BLACK CLASHING**

Black edge clashing is recommended on all front facing panels and openings at product locations, and on side cabinet panels where a rebated exists.

**DIVIDING SHELF**

If the appliance front panel is thicker than the cabinetry front panel, adjust the dividing shelf depth to ensure the oven sits flush with the front of the cabinetry.

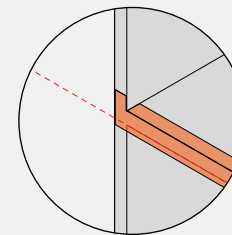


**OVEN CABINETS TRIM (OPTIONAL)**

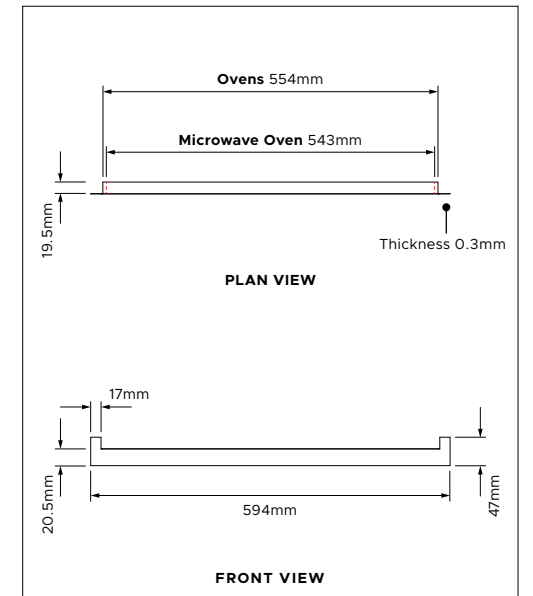
An optional black cabinetry trim is supplied with all ovens.

Prior to installation, check the trim height against dividing or supporting shelves. If required, score and cut the trim to the appropriate height to prevent interference.

Note: Microwave ovens has a different trim width. Ensure the correct trim is used for each appliance.

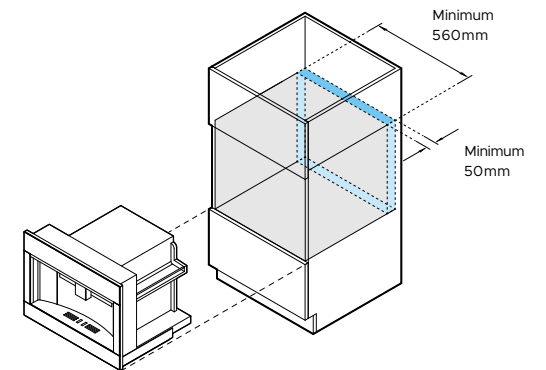
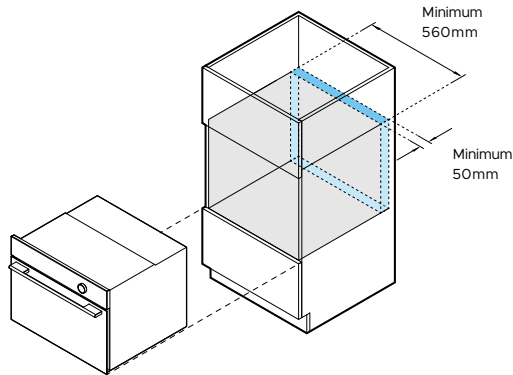
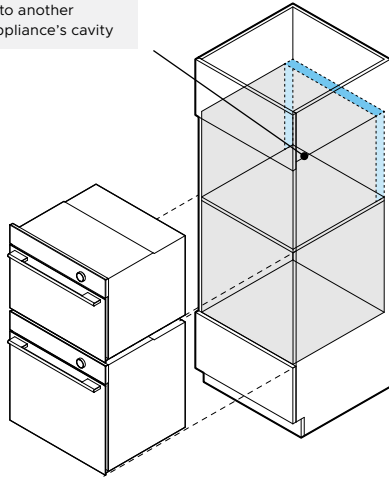


**DETAIL 4**  
ISOMETRIC VIEW



The models shown in this Planning Guide may not be available in all markets and are subject to change at any time. Product specifications may vary from those shown. This Planning Guide should not be used as installation guidance for any product. Further information is required to safely and correctly install the products featured here. Specific installation guidance will be available with the product on delivery and on our website fisherpaykel.com

Do not vent directly into another appliance's cavity



Options for total minimum ventilation area

**VENTILATION**

Ventilation is required to ensure proper performance of certain products.

**Possible Venting Locations:**

- Space behind the cabinet
- Upper cavity (not a product cavity)
- Toe kick cavity
- Adjacent cabinetry (not a product cavity)

**Cabinet with back panel or installed against a wall:**

Select one of the venting locations listed above, providing the required minimum ventilation area.

**Cabinet without back panel:**

If the cabinet is manufactured without a back panel and is not positioned directly against a wall, the open back will provide sufficient ventilation.

Do not vent directly into another appliance's cavity.

**COMPACT MICROWAVE OVEN**

OM60NCUDX5

**VENTILATION PLACEMENT**

Total minimum ventilation area	280cm <sup>2</sup> or 50mm x 560mm
Cavity venting options	base, sides, top or back

**BUILT-IN COFFEE MAKER**

EB60CSX3

**VENTILATION PLACEMENT**

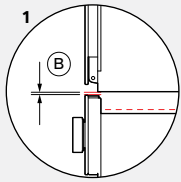
Total minimum ventilation area	280cm <sup>2</sup> or 50mm x 560mm
Cavity venting options	base, sides, top or back

The models shown in this Planning Guide may not be available in all markets and are subject to change at any time. Product specifications may vary from those shown. This Planning Guide should not be used as installation guidance for any product. Further information is required to safely and correctly install the products featured here. Specific installation guidance will be available with the product on delivery and on our website [fisherpaykel.com](http://fisherpaykel.com)

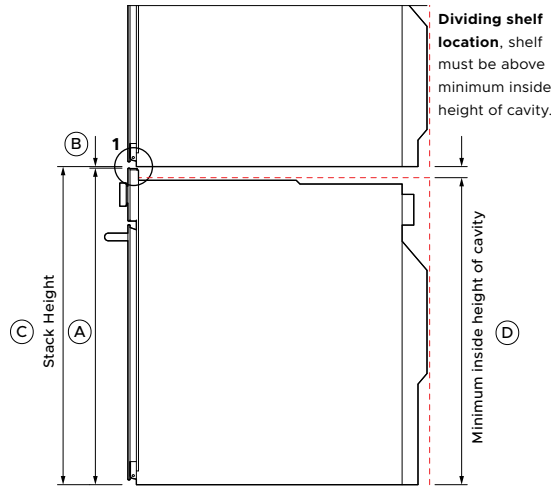
**STACK HEIGHT**

Stack height is overall product height with minimum clearance above appliance control panel or front panel.

$$\begin{array}{r}
 \text{A Overall product height} \\
 + \\
 \text{B Minimum top clearance above appliance front/custom panel to upper appliance} \\
 = \\
 \text{C Stack Height}
 \end{array}$$



**DETAIL 1  
PROFILE VIEW**



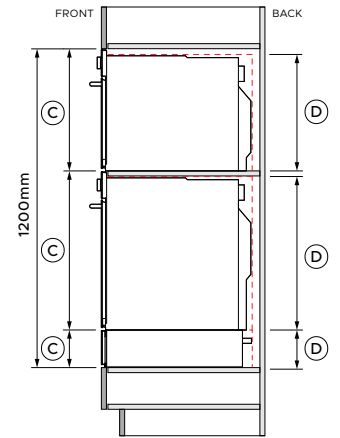
**PROFILE VIEW**

**Ventilation** air vent is required at rear of cabinetry for some products.

**Dividing shelves** are required to support stacked appliances and to achieve correct clearance.

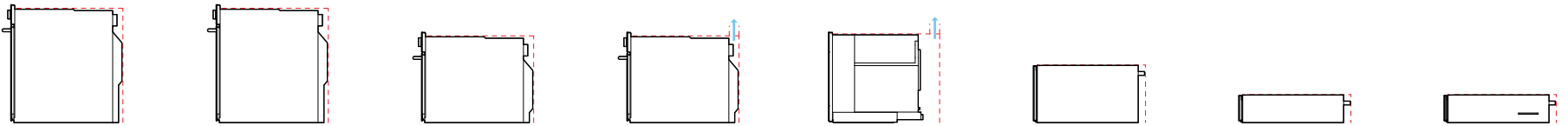
**Dividing shelves** must be constructed from material that will support the weight of the appliances. Ensure the product is not bearing any weight from cabinetry or products installed above.

**Drawers** can fully support a 60cm Fisher & Paykel ovens. An intermediate shelf is not required.



**EXAMPLE  
PROFILE VIEW**

**MINIMUM  
INSIDE  
HEIGHT OF  
CAVITY**

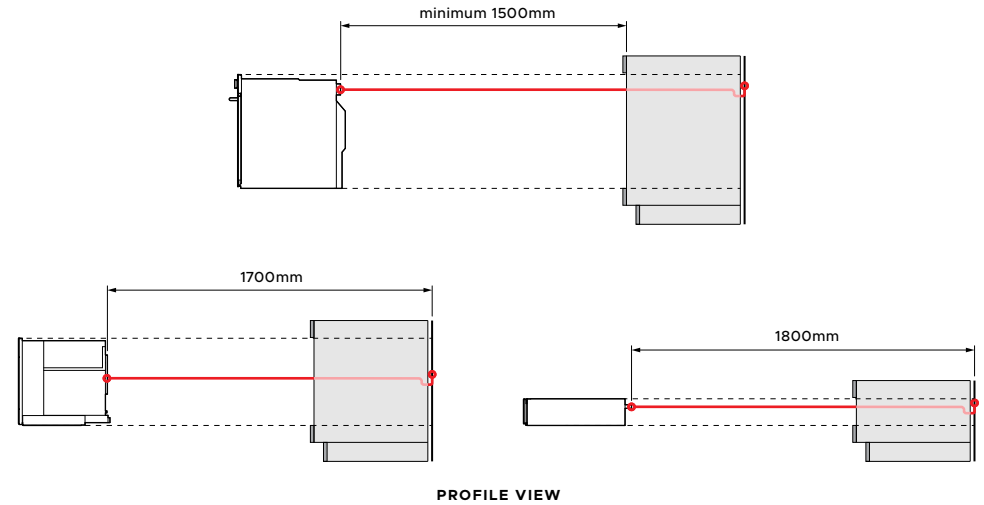
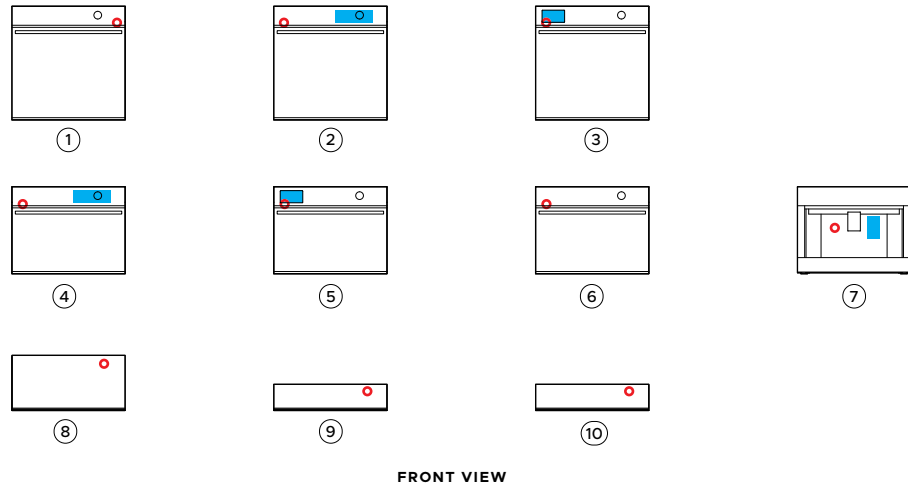


	<b>PYROLYTIC OVEN</b> OB60SACPUDX5	<b>COMBI-STEAM OVEN</b> OS60SACHUDX5, OS60SACVUDX5	<b>COMPACT COMBI-STEAM OVEN</b> OS60NACHUDX5, OS60NACVUDX5	<b>COMPACT COMBI-MICROWAVE OVEN</b> OM60NCUDX5	<b>BUILT-IN COFFEE MAKER</b> EB60CSX3	<b>TALL WARMING DRAWER</b> WB60SCTX3 <b>INTEGRATED TALL WARMING DRAWER</b> WB60SDTEI3	<b>WARMING DRAWER</b> WB60SCX3 <b>INTEGRATED WARMING DRAWER</b> WB60SDEI3	<b>VACUUM SEAL DRAWER</b> VB60SCX3 <b>INTEGRATED VACUUM SEAL DRAWER</b> VB60SDEI3
<b>DIMENSIONS</b>	<b>mm</b>	<b>mm</b>	<b>mm</b>	<b>mm</b>	<b>mm</b>	<b>mm</b>	<b>mm</b>	<b>mm</b>
<b>A</b> Overall product height	598	598	458	458	458	290	140	140
<b>B</b> Minimum top clearance above appliance front/custom panel	2	2	2	2	2	-	-	-
<b>C</b> Stack height	600	600	460	460	460	290*	140*	140*
<b>D</b> Minimum cavity height	580	580	440	440	450	290	140	140

\*60cm Fisher & Paykel ovens can be installed directly onto the drawer. An intermediate shelf is not required. Note: Standalone installation of drawers require minimum clearance above, head to 'Data Sheets' section of this Planning Guide for more details.

The models shown in this Planning Guide may not be available in all markets and are subject to change at any time. Product specifications may vary from those shown. This Planning Guide should not be used as installation guidance for any product. Further information is required to safely and correctly install the products featured here. Specific installation guidance will be available with the product on delivery and on our website [fisherpaykel.com](http://fisherpaykel.com)

## SERVICES



**CONNECTION**

Connections may be located in an adjacent cabinet to either side of the appliance. Ensure power will remain accessible following installation to allow access for any future product maintenance.

POWER CONNECTION WATER TANK LOCATION

**HARD-WIRED**

The electrician is required to provide a free length of power supply cable extending at least 1500mm in front of the bottom edge of the cavity opening.

For more information on electrical requirements, refer to the Installation Guide.

	PYROLYTIC OVEN	COMBI-STEAM OVEN	COMPACT COMBI-STEAM OVEN	COMPACT COMBI-MICROWAVE OVEN	BUILT-IN COFFEE MAKER	TALL WARMING DRAWERS	WARMING DRAWERS	VACUUM SEAL DRAWERS
<b>SERIES 11</b>		<b>2</b> OS60SACHUDX5	<b>4</b> OS60NACHUDX5					
<b>SERIES 9</b>	<b>1</b> OB60SACPUDX5	<b>3</b> OS60SACVUDX5	<b>5</b> OS60NACVUDX5	<b>6</b> OM60NCUDX5	<b>7</b> EB60CSX3	<b>8</b> WB60SCTX3 WB60SDTEI3	<b>9</b> WB60SCX3 WB60SDEI3	<b>10</b> VB60SCX3 VB60SDEI3
<b>POWER CONNECTION</b>								
Connection	Hard-wired min 1500mm	Hard-wired min 1500mm	Hard-wired min 1500mm	Hard-wired min 1500mm	Flex cord 1700mm	Flex cord 1800mm	Flex cord 1800mm	Flex cord 1800mm
Location	upper right	upper left	upper left	upper left	center left	upper right	upper right	upper right
<b>ELECTRICAL</b>								
Dedicated Circuit (A)	16	16	16	16	10	10	10	10
Rated Power (W)	2800 - 3300	2800 - 3300	2800 - 3300	3350 - 3800	1350	810	810	320
Supply (Hz)	50	50	50	50	50	50	50	50
Voltage (V)	220 - 240	220 - 240	220 - 240	220 - 240	220 - 240	220 - 240	220 - 240	220 - 240

Note: Multiple product installation requires the design of power outlets according to local regulations.

The models shown in this Planning Guide may not be available in all markets and are subject to change at any time. Product specifications may vary from those shown. This Planning Guide should not be used as installation guidance for any product. Further information is required to safely and correctly install the products featured here. Specific installation guidance will be available with the product on delivery and on our website fisherpaykel.com

