

60CM CONTEMPORARY OVENS

PLANNING GUIDE

SERIES 7 PYROLYTIC OVEN | OB60SACPGX5, OB60SACPGB5

SERIES 7 OVEN | OB60SACGX5, OB60SACGB5

INTRODUCTION

This comprehensive planning guide provides you with the framework and tools to achieve your desired design outcome with Fisher & Paykel appliances. In this guide, you will find a range of conceptual, detailed, and dimensional product information to bring your ideas to life and create spaces that truly reflect your vision.

SUPPORT

For additional design planning and installation support please contact the Fisher & Paykel design support team.
designsupport@fisherpaykel.com

NOTES

The models shown in this Planning Guide may not be available in all markets and are subject to change at any time. Refer to our website fisherpaykel.com for the latest document version. Product specifications may vary from those shown.
 This Planning Guide should not be used as installation guidance for any product. Specific installation guidance will be available with the product on delivery and on our website.

CONCEPT DESIGN **PAGE**

| | |
|------------------------------|----------|
| SPECIFICATION GUIDE | |
| Pyrolytic Oven | 4 |
| Pyrolytic Oven Specification | 5 |
| Oven | 6 |
| Oven Specification | 7 |

DEVELOPED AND DETAILED DESIGN **PAGE**

| | |
|--------------------------------|-----------|
| DATA SHEETS | |
| Pyrolytic Oven | 9 |
| Oven | 10 |
| PLANNING CONSIDERATIONS | |
| Cabinetry Preparation | 12 |

DEVELOPED AND DETAILED DESIGN **PAGE**

| | |
|--------------------------------------|--|
| DEVELOPED AND DETAILED DESIGN | |
| PAGE | |

SPECIFICATION GUIDE

SERIES 7



Brushed Silver Glass Pyrolytic Oven

OVERVIEW

Designed to be distinctive and timeless, this Contemporary oven complements a wide range of kitchen styles. The pyrolytic self-cleaning function breaks down food residue for an easy clean, while the dial control with illuminated icons offers simple operation of 9 versatile functions including Air Fry and Pizza Bake.

PRODUCTS

OB60SACPGX5 - Brushed Silver Glass
60cm Series 7 Contemporary Pyrolytic Oven

OB60SACPGB5 - Black
60cm Series 7 Contemporary Pyrolytic Oven

SERIES & STYLE

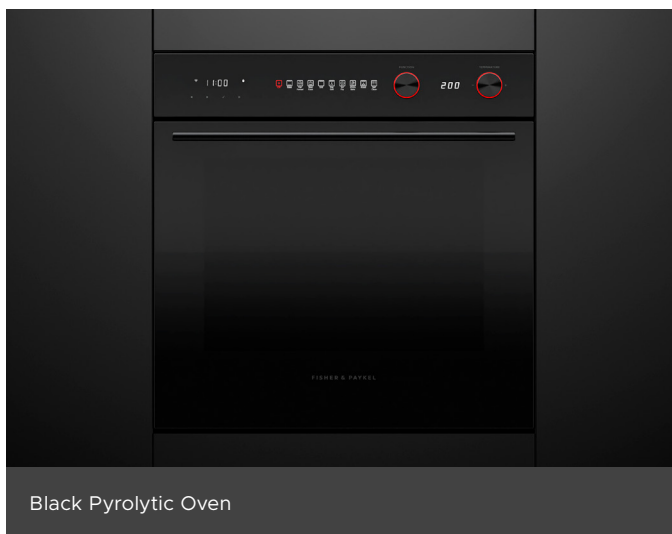
Series 7
Contemporary

FEATURES

- 1 Contemporary style is distinctive and timeless to complement a wide range of kitchen styles
- 2 Self-cleaning pyrolytic function breaks down food residue for an easy clean
- 3 Premium soft open and close door
- 4 Generous 72L useable capacity
- 5 Dial control with illuminated icons for simple operation
- 6 Even heat distribution thanks to AeroTech™ technology
- 7 9 versatile functions including Air Fry and Pizza Bake

ACCESSORIES

- 1 Pyro-proof Side Ladders
- 2 Telescopic Sliding Runners
- 3 Wire Shelf (x2)
- 4 Multi-functional Air Fry Tray
- 5 Roasting Dish
- 6 Flat Brushed Baking Tray



Black Pyrolytic Oven

The models shown in this Planning Guide may not be available in all markets and are subject to change at any time. Product specifications may vary from those shown. This Planning Guide should not be used as installation guidance for any product. Further information is required to safely and correctly install the products featured here. Specific installation guidance will be available with the product on delivery and on our website fisherpaykel.com

SPECIFICATIONS

MODEL NUMBER

OB60SACPGX5 60cm Series 7 Contemporary Pyrolytic Oven - Brushed Silver Glass

OB60SACPGB5 60cm Series 7 Contemporary Pyrolytic Oven - Black

ELECTRICAL

Dedicated Circuit (A) 16

Rated Power (W) 2800 - 3300

Supply (Hz) 50

Voltage (V) 220 - 240

Connection Hard-wired, min 1500mm*

*The electrician is required to provide a free length of power supply cable extending at least 1500mm in front of the bottom edge of the cavity opening.

Note: For multi-residential installations, use the Rated Power to calculate the demand.

CAPACITY

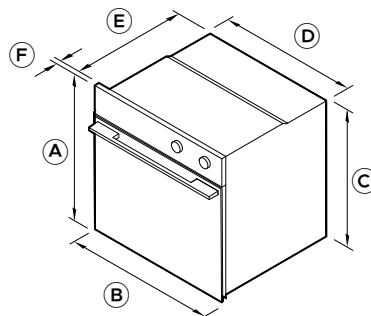
Total Oven capacity 85L

WEIGHTS

Packaged 52kg

Unpackaged 43kg

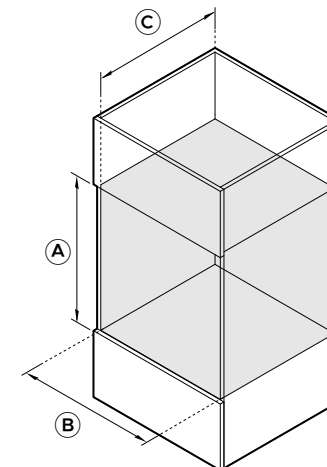
PRODUCT DIMENSIONS



ISOMETRIC VIEW

| | mm |
|--|-----|
| A Overall product height | 598 |
| B Overall product width | 596 |
| C Chassis height | 575 |
| D Chassis width | 556 |
| E Chassis depth | 545 |
| F Front frame depth (excludes handle) | 20 |
| Door open depth at 90° (from product front) | 463 |

CAVITY DIMENSIONS



ISOMETRIC VIEW

| | mm |
|--|---------|
| A Cavity height | min 580 |
| B Cavity width | min 560 |
| C Cavity depth (from chassis front datum) | min 550 |

The models shown in this Planning Guide may not be available in all markets and are subject to change at any time. Product specifications may vary from those shown. This Planning Guide should not be used as installation guidance for any product. Further information is required to safely and correctly install the products featured here. Specific installation guidance will be available with the product on delivery and on our website fisherpaykel.com



OVERVIEW

Designed to be distinctive and timeless, this Contemporary oven complements a wide range of kitchen styles. The dial control with illuminated icons offers simple operation of 9 versatile functions including Air Fry and Pizza Bake.

PRODUCTS

OB60SACGX5 - Brushed Silver Glass

60cm Series 7 Contemporary Oven

OB60SACGB5 - Black

60cm Series 7 Contemporary Oven

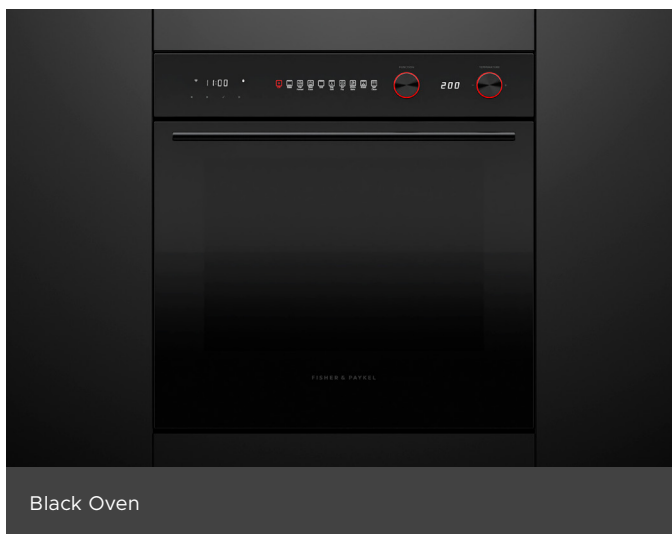
SERIES & STYLE

Series 7

Contemporary

FEATURES

- 1 Contemporary style is distinctive and timeless to complement a wide range of kitchen styles
- 2 Premium soft open and close door
- 3 Generous 72L useable capacity
- 4 Dial control with illuminated icons for simple operation
- 5 Even heat distribution thanks to AeroTech™ technology
- 6 9 versatile functions including Air Fry and Pizza Bake



ACCESSORIES

- 1 Chrome Side Ladders
- 2 Telescopic Sliding Runners
- 3 Wire Shelf (x2)
- 4 Multi-functional Air Fry Tray
- 5 Roasting Dish
- 6 Flat Brushed Baking Tray

The models shown in this Planning Guide may not be available in all markets and are subject to change at any time. Product specifications may vary from those shown. This Planning Guide should not be used as installation guidance for any product. Further information is required to safely and correctly install the products featured here. Specific installation guidance will be available with the product on delivery and on our website fisherpaykel.com

SPECIFICATIONS

MODEL NUMBER

OB60SACGX5 60cm Series 7 Contemporary Oven - Brushed Silver Glass

OB60SACGB5 60cm Series 7 Contemporary Oven - Black

ELECTRICAL

Dedicated Circuit (A) 16

Rated Power (W) 2800 - 3300

Supply (Hz) 50

Voltage (V) 220 - 240

Connection Hard-wired, min 1500mm*

*The electrician is required to provide a free length of power supply cable extending at least 1500mm in front of the bottom edge of the cavity opening.

Note: For multi-residential installations, use the Rated Power to calculate the demand.

CAPACITY

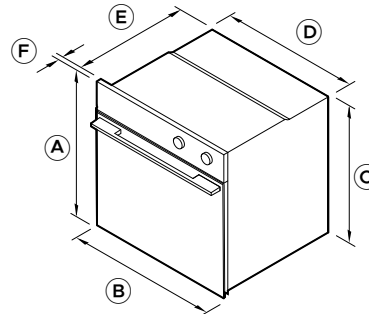
Total Oven capacity 85L

WEIGHTS

Packaged 47kg

Unpackaged 37kg

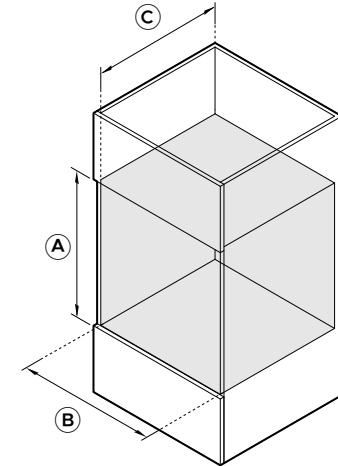
PRODUCT DIMENSIONS



ISOMETRIC VIEW

| | mm |
|--|-----|
| A Overall product height | 598 |
| B Overall product width | 596 |
| C Chassis height | 575 |
| D Chassis width | 556 |
| E Chassis depth | 545 |
| F Front frame depth (excludes handle) | 20 |
| Door open depth at 90° (from product front) | 463 |

CAVITY DIMENSIONS

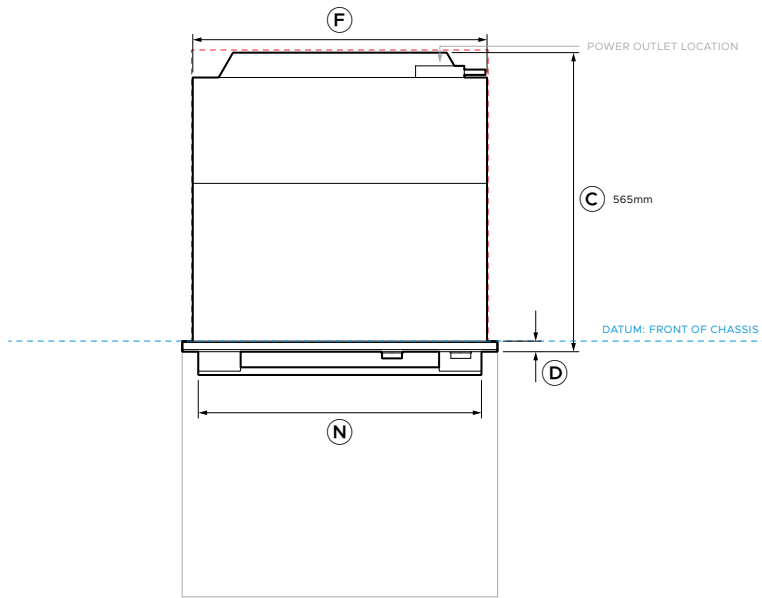


ISOMETRIC VIEW

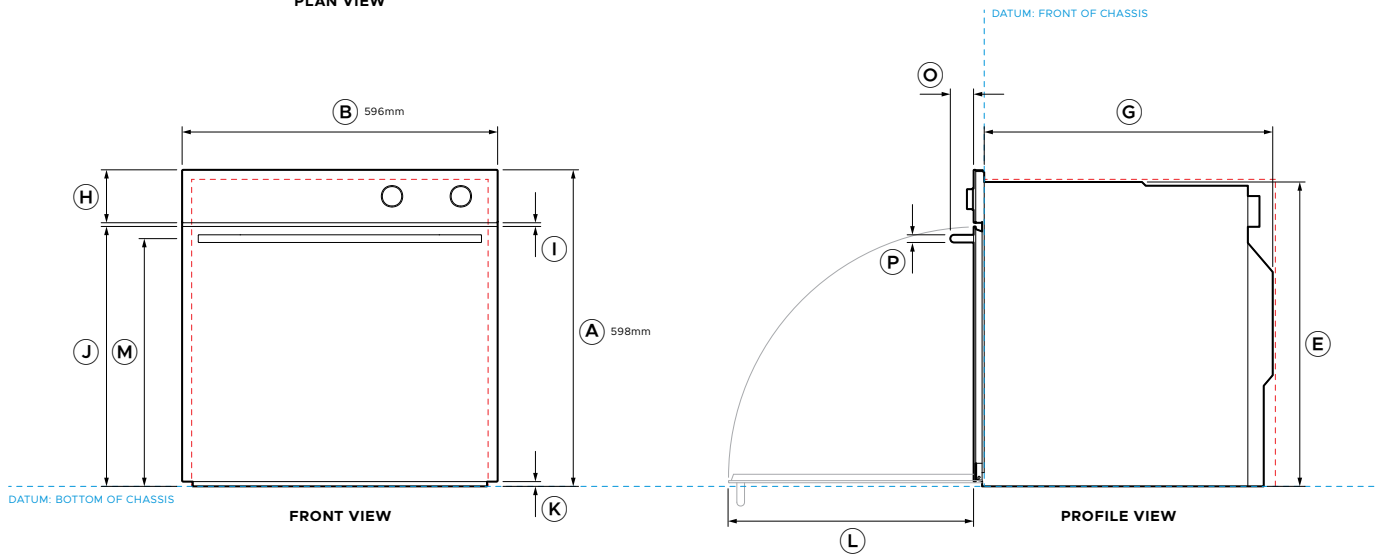
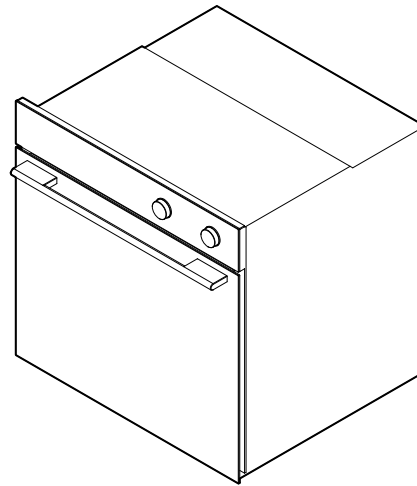
| | mm |
|--|---------|
| A Cavity height | min 580 |
| B Cavity width | min 560 |
| C Cavity depth (from chassis front datum) | min 550 |

The models shown in this Planning Guide may not be available in all markets and are subject to change at any time. Product specifications may vary from those shown. This Planning Guide should not be used as installation guidance for any product. Further information is required to safely and correctly install the products featured here. Specific installation guidance will be available with the product on delivery and on our website fisherpaykel.com

DATA SHEETS

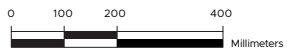


PLAN VIEW



FRONT VIEW

PROFILE VIEW



Model no:

| | |
|--------------------|--|
| OB60SACPGX5 | 60cm Series 7 Contemporary Pyrolytic Oven - Brushed Silver Glass |
| OB60SACPGB5 | 60cm Series 7 Contemporary Pyrolytic Oven - Black |

Product Dimensions

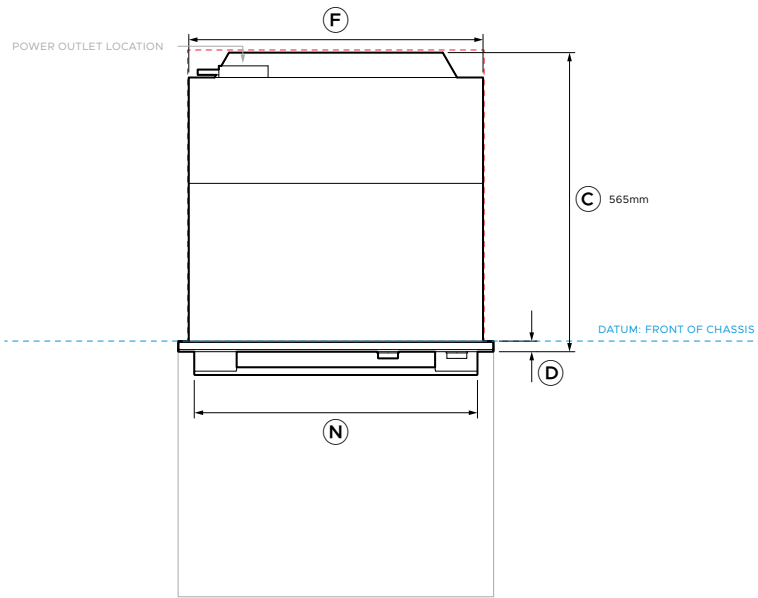
| | mm |
|---|-----|
| A Overall product height | 598 |
| B Overall product width | 596 |
| C Overall product depth (excludes handle) | 565 |
| D Front frame depth (excludes handle) | 20 |
| E Chassis height | 575 |
| F Chassis width | 556 |
| G Chassis depth | 545 |
| H Control panel height | 100 |
| I Door-to-control panel gap | 7 |
| J Door upper edge height (from chassis base datum) | 491 |
| K Door lower edge height (from chassis base datum) | 9 |
| L Door open depth at 90° (from product front) | 463 |
| M Handle centreline height (from chassis base datum) | 468 |
| N Handle width | 535 |
| O Handle depth (projection) | 44 |
| P Handle thickness | 15 |

Minimum Clearances

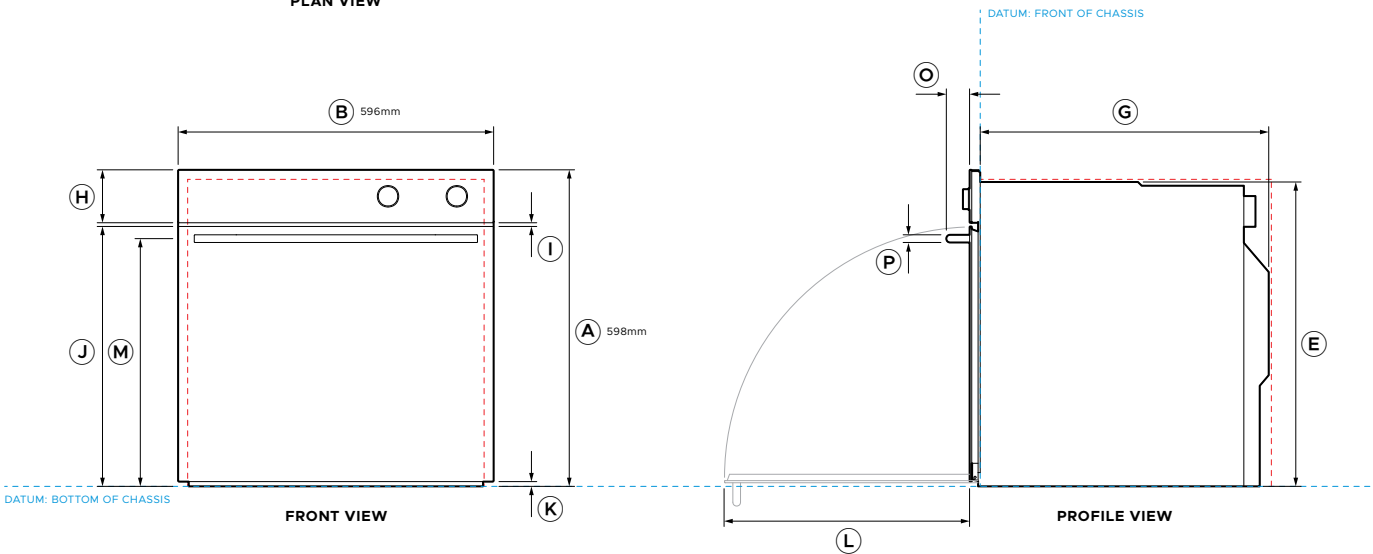
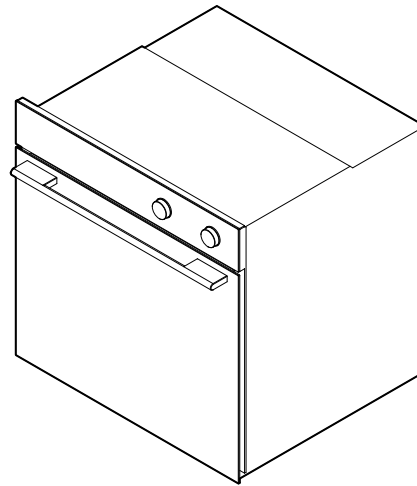
| | mm |
|---|---------|
| Cavity height | min 580 |
| Cavity width | min 560 |
| Cavity depth (from chassis front datum) | min 550 |
| Front frame clearance - top & sides | min 2 |

----- INDICATES PRODUCT DATUM
 - - - - - INDICATES CABINETRY CLEARANCES

IMPORTANT NOTE: Throughout this guide, dimensions may vary by ±2mm (1/16"). Please read the installation manual for detailed information on installing the product. For full installation instructions & specifications visit fisherpaykel.com

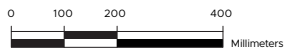


PLAN VIEW



FRONT VIEW

PROFILE VIEW



| | |
|-------------------|--|
| Model no: | |
| OB60SACGX5 | 60cm Series 7 Contemporary Oven - Brushed Silver Glass |
| OB60SACGB5 | 60cm Series 7 Contemporary Oven - Black |

| Product Dimensions | mm |
|---|-----|
| A Overall product height | 598 |
| B Overall product width | 596 |
| C Overall product depth (excludes handle) | 565 |
| D Front frame depth (excludes handle) | 20 |
| E Chassis height | 575 |
| F Chassis width | 556 |
| G Chassis depth | 545 |
| H Control panel height | 100 |
| I Door-to-control panel gap | 7 |
| J Door upper edge height (from chassis base datum) | 491 |
| K Door lower edge height (from chassis base datum) | 9 |
| L Door open depth at 90° (from product front) | 463 |
| M Handle centreline height (from chassis base datum) | 468 |
| N Handle width | 535 |
| O Handle depth (projection) | 44 |
| P Handle thickness | 15 |

| Minimum Clearances | mm |
|---|---------|
| Cavity height | min 580 |
| Cavity width | min 560 |
| Cavity depth (from chassis front datum) | min 550 |
| Front frame clearance - top & sides | min 2 |

----- INDICATES PRODUCT DATUM
 - - - - - INDICATES CABINETRY CLEARANCES

IMPORTANT NOTE: Throughout this guide, dimensions may vary by ±2mm (1/16"). Please read the installation manual for detailed information on installing the product. For full installation instructions & specifications visit fisherpaykel.com

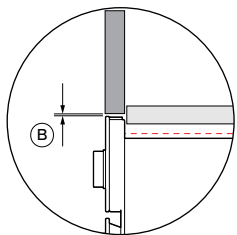
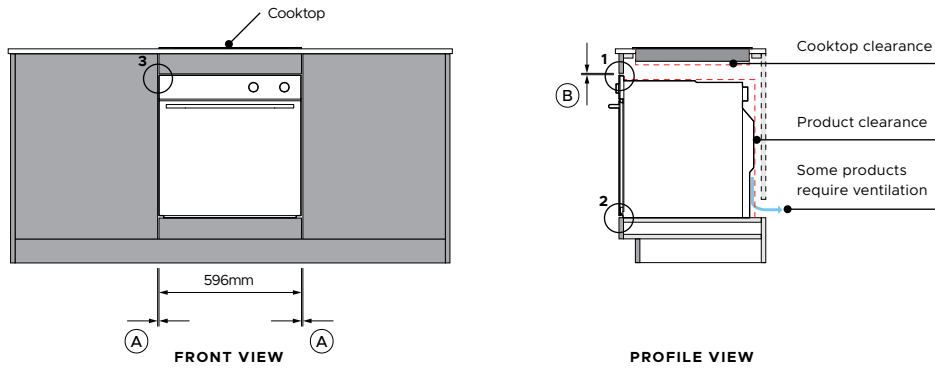
PLANNING CONSIDERATIONS

CABINETRY CLEARANCES

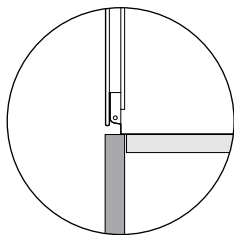
| CLEARANCES | | mm |
|------------|-------------------------------|-------|
| A | Front panel clearance - sides | min 2 |
| B | Front panel clearance - top | min 2 |

UNDERBENCH

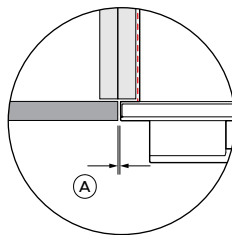
If installing a cooktop above the oven, ensure adequate clearance is provided for the cooktop as per the cooktop manufacturer's instructions.



**DETAIL 1
PROFILE VIEW**



**DETAIL 2
PROFILE VIEW**



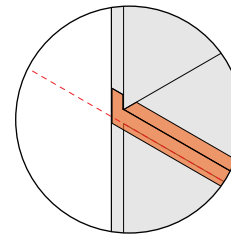
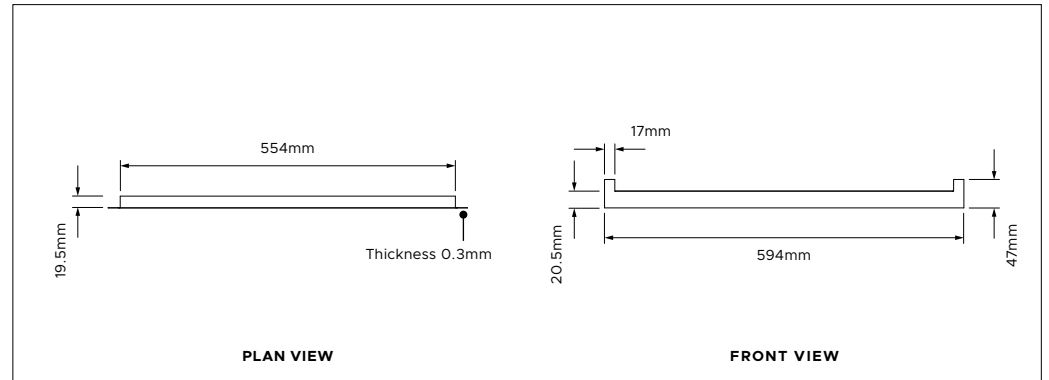
**DETAIL 3
PLAN VIEW**

Products require no bottom clearance between product to cabinetry front panel or appliance.

OVEN CABINETRY TRIM (OPTIONAL)

An optional black cabinetry trim is supplied with all ovens.

Prior to installation, check the trim height against dividing or supporting shelves. If required, score and cut the trim to the appropriate height to prevent interference.



**CABINETRY FRONT
ISOMETRIC VIEW**

The models shown in this Planning Guide may not be available in all markets and are subject to change at any time. Product specifications may vary from those shown. This Planning Guide should not be used as installation guidance for any product. Further information is required to safely and correctly install the products featured here. Specific installation guidance will be available with the product on delivery and on our website fisherpaykel.com

