

24" CONTEMPORARY OVENS

PLANNING GUIDE

SERIES 5 OVEN | OB24SACGX5, OB24SACGB5

INTRODUCTION

This comprehensive planning guide provides you with the framework and tools to achieve your desired design outcome with Fisher & Paykel appliances. In this guide, you will find a range of conceptual, detailed, and dimensional product information to bring your ideas to life and create spaces that truly reflect your vision.

SUPPORT

For additional design planning and installation support please contact the Fisher & Paykel design support team.
designsupport@fisherpaykel.com

NOTES

The models shown in this Planning Guide may not be available in all markets and are subject to change at any time. Refer to our website fisherpaykel.com for the latest document version. Product specifications may vary from those shown.
 This Planning Guide should not be used as installation guidance for any product. Specific installation guidance will be available with the product on delivery and on our website.

CONCEPT DESIGN	PAGE
SPECIFICATION GUIDE	
Oven	4
Oven Specification	5

DEVELOPED AND DETAILED DESIGN	PAGE
DATA SHEETS	
Oven	7
PLANNING CONSIDERATIONS	
Cabinetry Preparation	9

DEVELOPED AND DETAILED DESIGN	PAGE
-------------------------------	------

SPECIFICATION GUIDE

SERIES 5



Brushed Silver Glass Oven

OVERVIEW

Designed to be distinctive and timeless, this Contemporary oven complements a wide range of kitchen styles. The dial control with illuminated icons offers simple operation of 9 versatile functions including Air Fry and Pizza Bake.

PRODUCTS

OB24SACGX5 - Brushed Silver Glass
24" Series 5 Contemporary Oven

OB24SACGB5 - Black
24" Series 5 Contemporary Oven

SERIES & STYLE

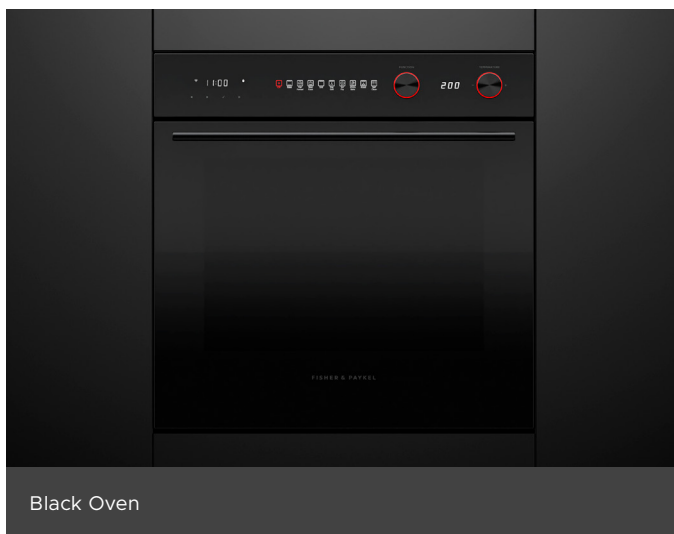
Series 5
Contemporary

FEATURES

- 1 Contemporary style is distinctive and timeless to complement a wide range of kitchen styles
- 2 Premium soft open and close door
- 3 Generous 2.5 cu ft useable capacity
- 4 Dial control with illuminated icons for simple operation
- 5 Even heat distribution thanks to AeroTech™ technology
- 6 9 versatile functions including Air Fry and Pizza Bake

ACCESSORIES

- 1 Chrome Side Ladders
- 2 Telescopic Sliding Runners
- 3 Wire Shelf
- 4 Multi-functional Air Fry Tray
- 5 Roasting Dish



Black Oven

The models shown in this Planning Guide may not be available in all markets and are subject to change at any time. Product specifications may vary from those shown. This Planning Guide should not be used as installation guidance for any product. Further information is required to safely and correctly install the products featured here. Specific installation guidance will be available with the product on delivery and on our website fisherpaykel.com

SPECIFICATIONS

MODEL NUMBER

OB24SACGX5	24" Series 5 Contemporary Oven - Brushed Silver Glass
OB24SACGB5	24" Series 5 Contemporary Oven - Black

ELECTRICAL

Dedicated Circuit (A)	20
Rated Power (W)	4200 / 3200
Supply (Hz)	60
Voltage (V)	208 / 240
Connection	Hard-wired 48" (1220mm)*

*Supplied with product.

Note: For multi-residential installations, use the Rated Power to calculate the demand.

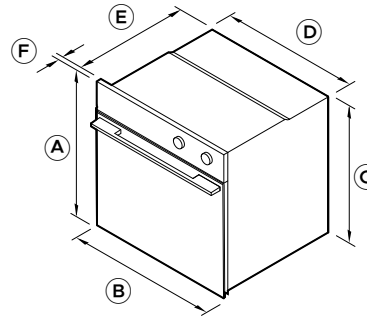
CAPACITY

Total Oven capacity	3cu ft (85L)
---------------------	--------------

WEIGHTS

Packaged	106lb (48kg)
Unpackaged	84lb (38kg)

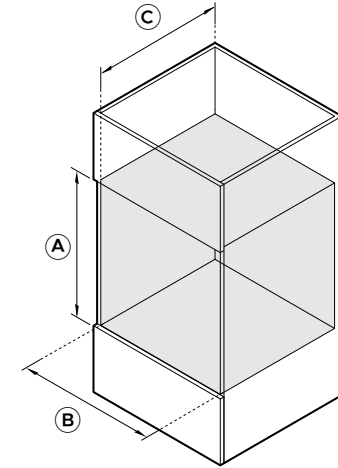
PRODUCT DIMENSIONS



ISOMETRIC VIEW

	inch	mm
A Overall product height	23 9/16	598
B Overall product width	23 7/16	596
C Chassis height	22 5/8	575
D Chassis width	21 7/8	556
E Chassis depth	21 7/16	545
F Front frame depth (excludes handle)	13/16	20
G Door open depth at 90° (from product front)	18 1/4	463

CAVITY DIMENSIONS

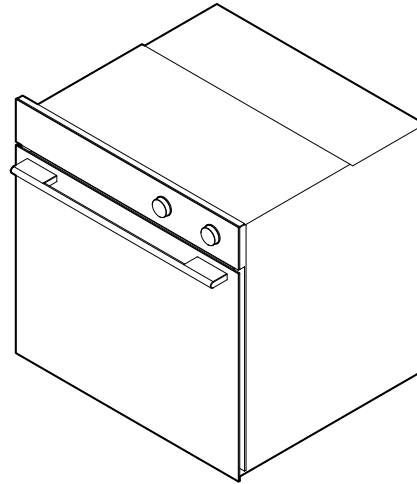
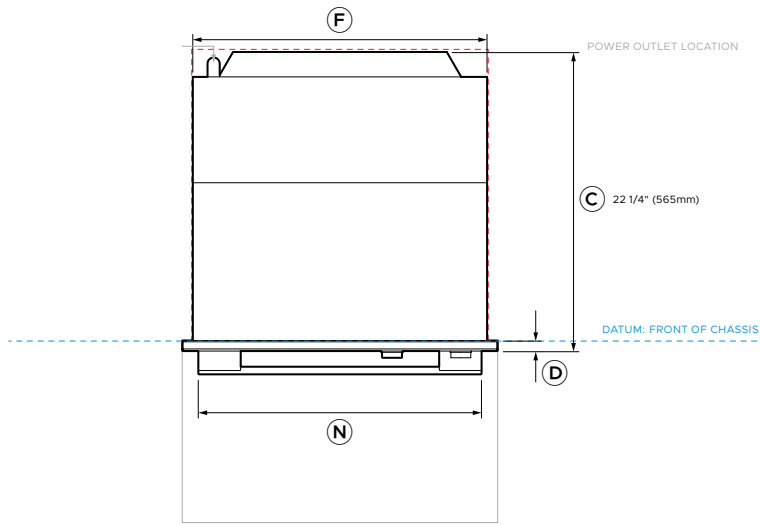


ISOMETRIC VIEW

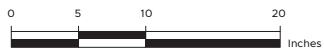
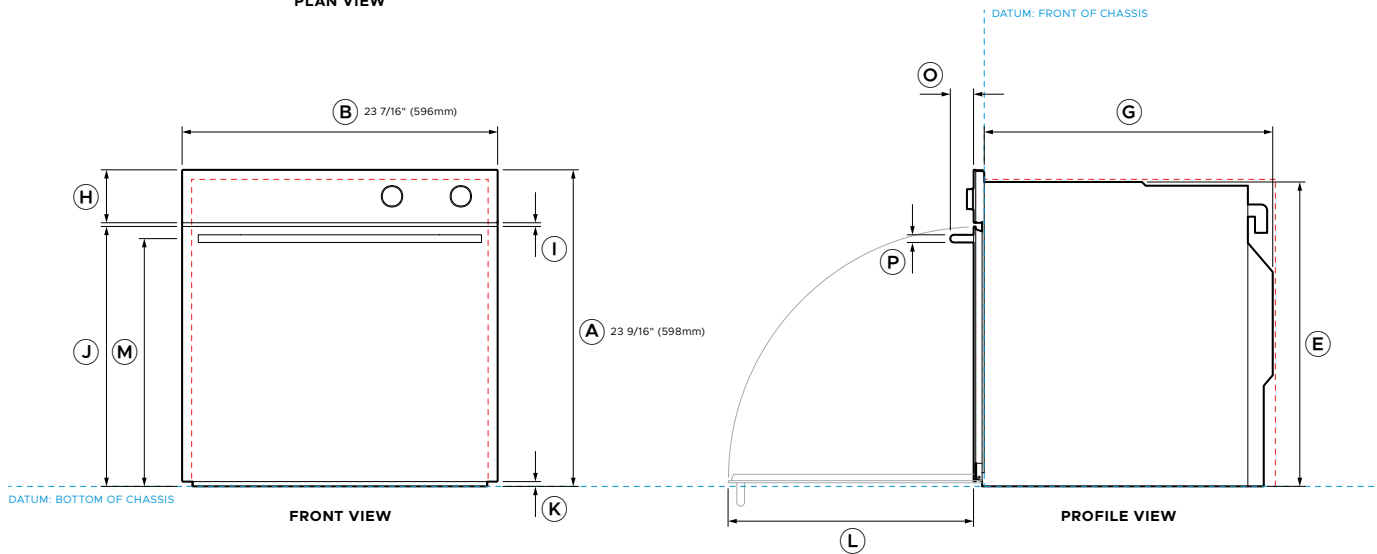
	inch	mm
A Cavity height	min 22 13/16	min 580
B Cavity width	min 22 1/16	min 560
C Cavity depth (from chassis front datum)	min 21 5/8	min 550

The models shown in this Planning Guide may not be available in all markets and are subject to change at any time. Product specifications may vary from those shown. This Planning Guide should not be used as installation guidance for any product. Further information is required to safely and correctly install the products featured here. Specific installation guidance will be available with the product on delivery and on our website fisherpaykel.com

DATA SHEETS



PLAN VIEW



Model no:

OB24SACGX5
OB24SACGB5

24" Series 5 Contemporary Oven - Brushed Silver Glass
24" Series 5 Contemporary Oven - Black

Product Dimensions		inch	mm
A	Overall product height	23 9/16	598
B	Overall product width	23 7/16	596
C	Overall product depth (excludes handle)	22 1/4	565
D	Front frame depth (excludes handle)	13/16	20
E	Chassis height	22 5/8	575
F	Chassis width	21 7/8	556
G	Chassis depth	21 7/16	545
H	Control panel height	3 15/16	100
I	Door-to-control panel gap	9/32	7
J	Door upper edge height (from chassis base datum)	19 5/16	491
K	Door lower edge height (from chassis base datum)	3/8	9
L	Door open depth at 90° (from product front)	8 1/4	463
M	Handle centreline height (from chassis base datum)	18 7/16	468
N	Handle width	21 1/16	535
O	Handle depth (projection)	1 3/4	44
P	Handle thickness	5/8	15
Minimum Clearances		inch	mm
	Cavity height	min 22 13/16	min 580
	Cavity width	min 22 1/16	min 560
	Cavity depth (from chassis front datum)	min 21 5/8	min 550
	Front frame clearance - top & sides	min 1/16	min 2

----- INDICATES PRODUCT DATUM
----- INDICATES CABINETRY CLEARANCES

IMPORTANT NOTE: Throughout this guide, dimensions may vary by ±2mm (1/16"). Please read the installation manual for detailed information on installing the product. For full installation instructions & specifications visit fisherpaykel.com

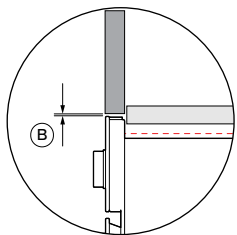
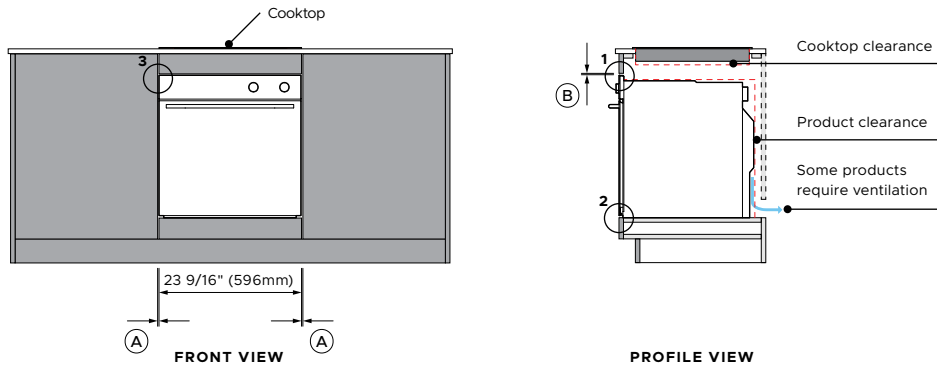
PLANNING CONSIDERATIONS

CABINETRY CLEARANCES

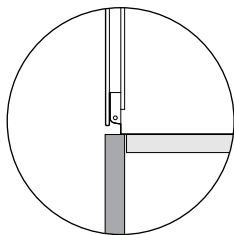
CLEARANCES	inch	mm
A Front panel clearance - sides	min 1/16	min 2
B Front panel clearance - top	min 1/16	min 2

UNDERBENCH

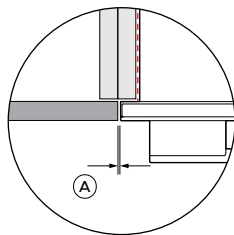
If installing a cooktop above the oven, ensure adequate clearance is provided for the cooktop as per the cooktop manufacturer's instructions.



**DETAIL 1
PROFILE VIEW**



**DETAIL 2
PROFILE VIEW**



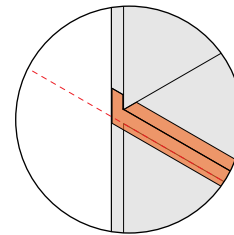
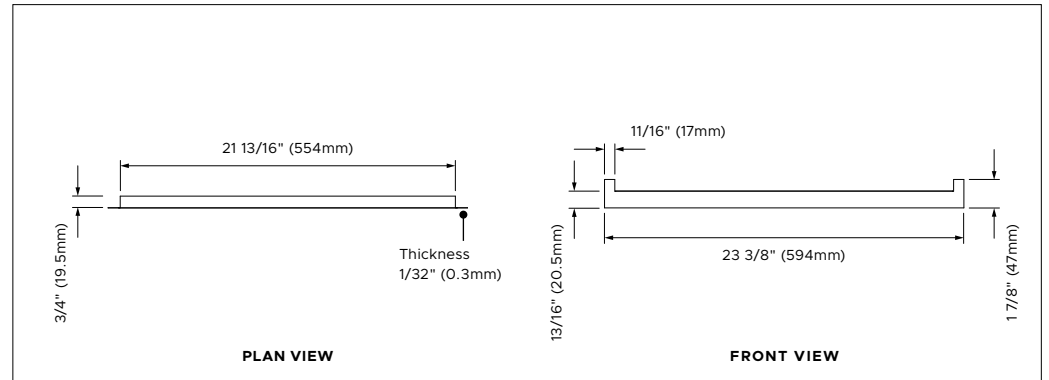
**DETAIL 3
PLAN VIEW**

Products require no bottom clearance between product to cabinetry front panel or appliance.

OVEN CABINETRY TRIM (OPTIONAL)

An optional black cabinetry trim is supplied with all ovens.

Prior to installation, check the trim height against dividing or supporting shelves. If required, score and cut the trim to the appropriate height to prevent interference.



**CABINETRY FRONT
ISOMETRIC VIEW**

The models shown in this Planning Guide may not be available in all markets and are subject to change at any time. Product specifications may vary from those shown. This Planning Guide should not be used as installation guidance for any product. Further information is required to safely and correctly install the products featured here. Specific installation guidance will be available with the product on delivery and on our website fisherpaykel.com

