

PROFESSIONAL GRILLS SERIES 9 OUTDOOR KITCHEN

PLANNING GUIDE

BEI-48RCI | BEI-36RCI | BEI-48RC | BEI-36RC | BEI-48C | BEI-36C | BGA54-IJS |
BGA48-IJS | BGA42-IJS | BGA36-IJS | ASE6-48 | ASE6-36

DCS

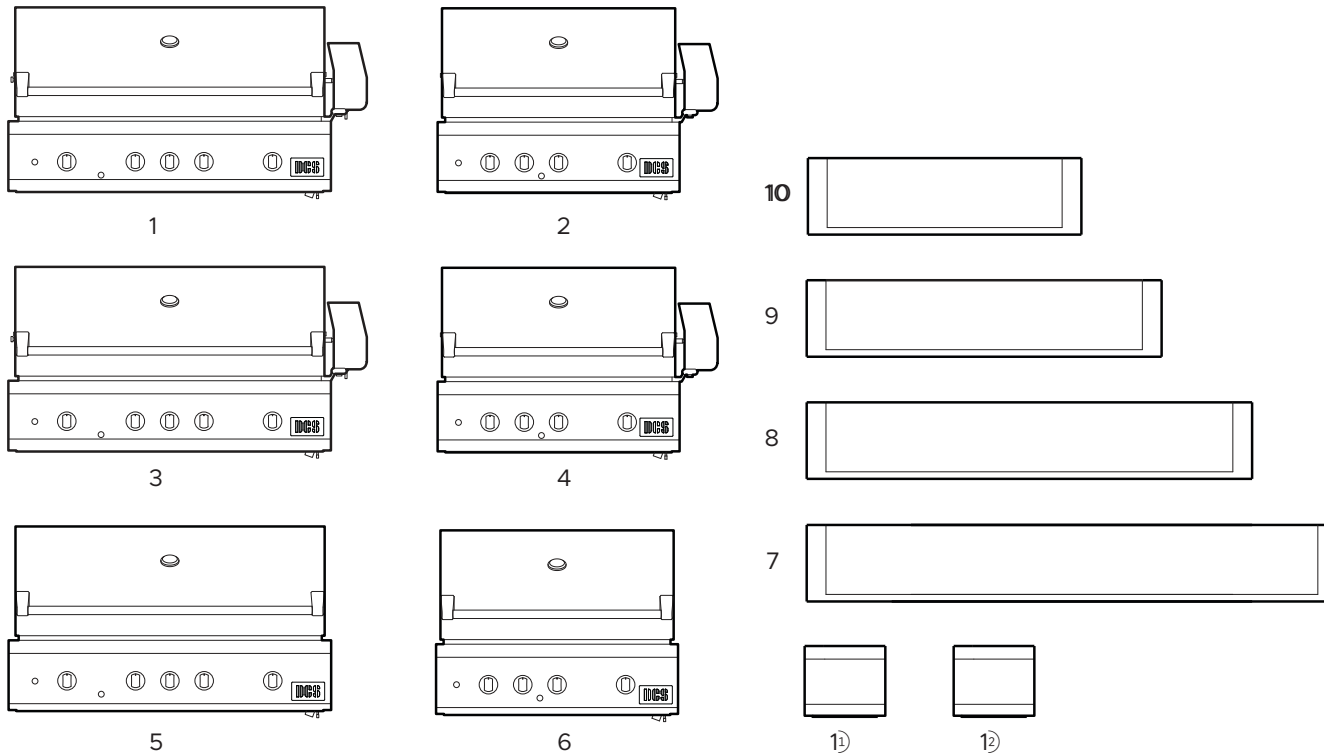
This comprehensive Planning Guide provides you with the framework and tools to achieve your desired design outcome with DCS appliances. In this guide, you will find a range of conceptual, detailed, and dimensional product information to bring your ideas to life and create spaces that truly reflect your vision.

CONTENTS

CONCEPT DESIGN	PAGE	DEVELOPED AND DETAILED DESIGN	PAGE	DEVELOPED AND DETAILED DESIGN	PAGE
Design Choices		Data Sheets		Grill Cabinet Specifications	
Grills	4	Grills 48" with Rotisserie	15	Non-combustible cabinet	31
Specialty cooking	5	Grills 48"	16	Combustible cabinet	32
Cooling	6	Grills 36" with Rotisserie	17		
Drawers	7	Grills 36"	18	Specialty Cooking Cabinet Specifications	
Access doors	8	Side burner	19	30 & 24" Specialty cooking installation	34
Carts	9	Power burner	20	24" Specialty cooking in recessed cavity	35
Compact kitchen	10	Griddle	21		
Medium kitchen	11	Griddle/side burner	22	Services	
Large kitchen	12	All grill	23	Electrical	37
Large kitchen	13				
		Planning Considerations			
		Grills - clearances	25		
		Specialty cooking - clearances	26		
		Wind screen protection	27		
		Ventilation requirements for LP cylinder enclosures	28		
		Notched counter-top and bull-nose edging details	29		

The models shown in this Planning Guide may not be available in all markets and are subject to change at any time. Product specifications may vary from those shown. This Planning Guide should not be used as installation guidance for any product. Further information is required to safely and correctly install the products featured here. Specific installation guidance will be available on our website [dcsappliances.com](https://www.dcsappliances.com)

DESIGN CHOICES



GRILLS

1 BE1-48RCI Grill

48" Grilling surface, infrared sear burner, left or right hand rotisserie placement, charcoal smoker tray, full surface searing, secondary cooking. Gas options: LP or NG

2 BE1-36RCI Grill

36" Grilling surface, infrared sear burner, left or right hand rotisserie placement, charcoal smoker tray, full surface searing, secondary cooking. Gas options: LP or NG

3 BE1-48RC Grill

48" Grilling surface, left or right hand rotisserie placement, charcoal smoker tray, full surface searing, secondary cooking. Gas options: LP or NG

4 BE1-36RC Grill

36" Grilling surface, left or right hand rotisserie placement, charcoal smoker tray, full surface searing, secondary cooking. Gas options: LP or NG

5 BE1-48C Grill

48" Grilling surface, charcoal smoker tray, full surface searing, secondary cooking. Gas options: LP or NG

6 BE1-36C Grill

36" Grilling surface, charcoal smoker tray, full surface searing, secondary cooking. Gas options: LP or NG

7 BGA54-IJS INSULATION JACKET

54" Jacket for combustible cabinet installation (ASE6-48 6" storage in combination with S9 48" grill)

8 BGA48-IJS INSULATION JACKET

9 BGA42-IJS INSULATION JACKET

10 BGA36-IJS INSULATION JACKET

11 ASE6-48 SIDE STORAGE

12 ASE6-36 SIDE STORAGE

The models shown in this Planning Guide may not be available in all markets and are subject to change at any time. Product specifications may vary from those shown. This Planning Guide should not be used as installation guidance for any product. Further information is required to safely and correctly install the products featured here. Specific installation guidance will be available on our website dcsappliances.com

SPECIALTY COOKING

1 SBE1-142 Double Side Burner

14" Double side burner with cover. Gas Options: LP or NG

2 PBE1-24 Power Burner

24" Power burner with cover. Gas Options: LP or NG

3 GDSBE1-302 Griddle/Side Burner

30" Griddle/side burner with cover. CAD1-30E Free-standing cart install option available.

Gas Options: LP or NG

4 BE1-30AG All Grill

30" Grilling Surface with cover. CAD1-30E Free-standing cart install option available.

Gas Options: LP or NG

5 GDE1-30 Griddle

30" Large griddle with separate temperature zones. CAD1-30E Free-standing cart install option available.

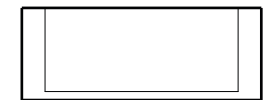
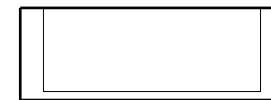
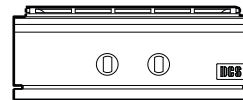
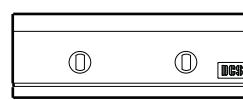
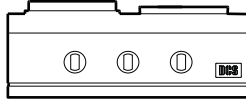
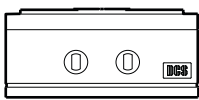
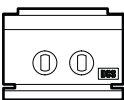
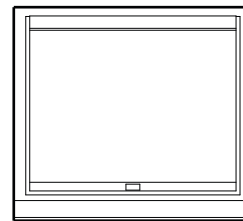
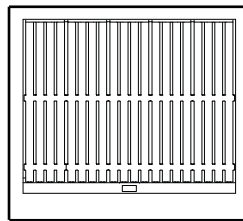
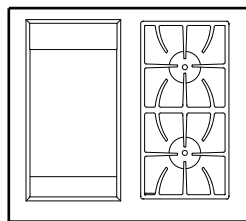
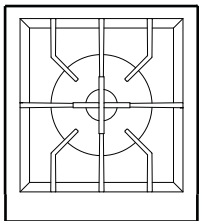
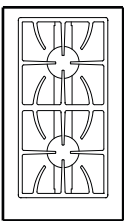
Gas Options: LP or NG

6 BGB30-IJS 30" Insulation Jacket

30" Jacket for combustible cabinet installation with GDSBE1-302 Griddle/Side Burner, BE1-30AG All Grill and GDE1-30 Griddle

7 BGA24-IJS 24" Insulation Jacket

24" Jacket for combustible cabinet installation with PBE1-24 Power Burner



1

2

3

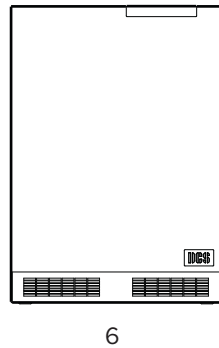
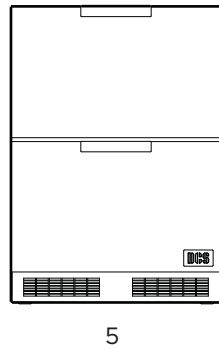
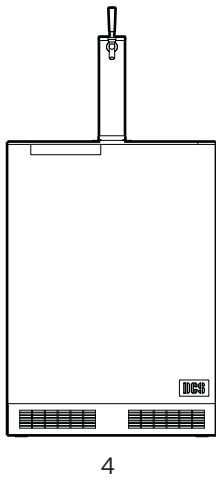
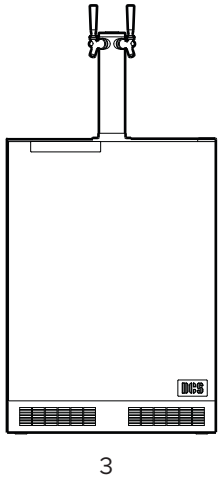
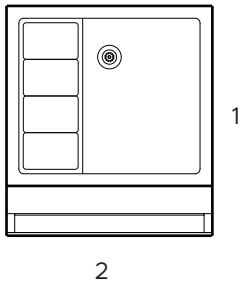
4

5

6

7

The models shown in this Planning Guide may not be available in all markets and are subject to change at any time. Product specifications may vary from those shown. This Planning Guide should not be used as installation guidance for any product. Further information is required to safely and correctly install the products featured here. Specific installation guidance will be available on our website dcsappliances.com



CHILLERS IN COUNTER

1 BC25 Sink

25" Bottle and ice sink with four condiment storage containers.

2 BC1-25AC Bottle Holder Sink Accessory

25" 1 litre bottle holder with towel rack.

3 RF24BTR2, RF24BTL2 Outdoor Beer Dispenser

24" Dual tap, CO2 tank and regulator, refrigerated keg storage, door open alarm, digital temperature control with in counter drainage system. Left or right door opening.

4 RF24BTR2, RF24BTL2 Outdoor Beer Dispenser

24" Single tap, CO2 tank and regulator, refrigerated keg storage, door open alarm, digital temperature control with in counter drainage system. Left or right door opening.

CHILLERS UNDER COUNTER

5 RF24DE4 Outdoor refrigerator drawers

24" Refrigerated drawers, 5 cu foot capacity, rapid cool down, and open door alarm.

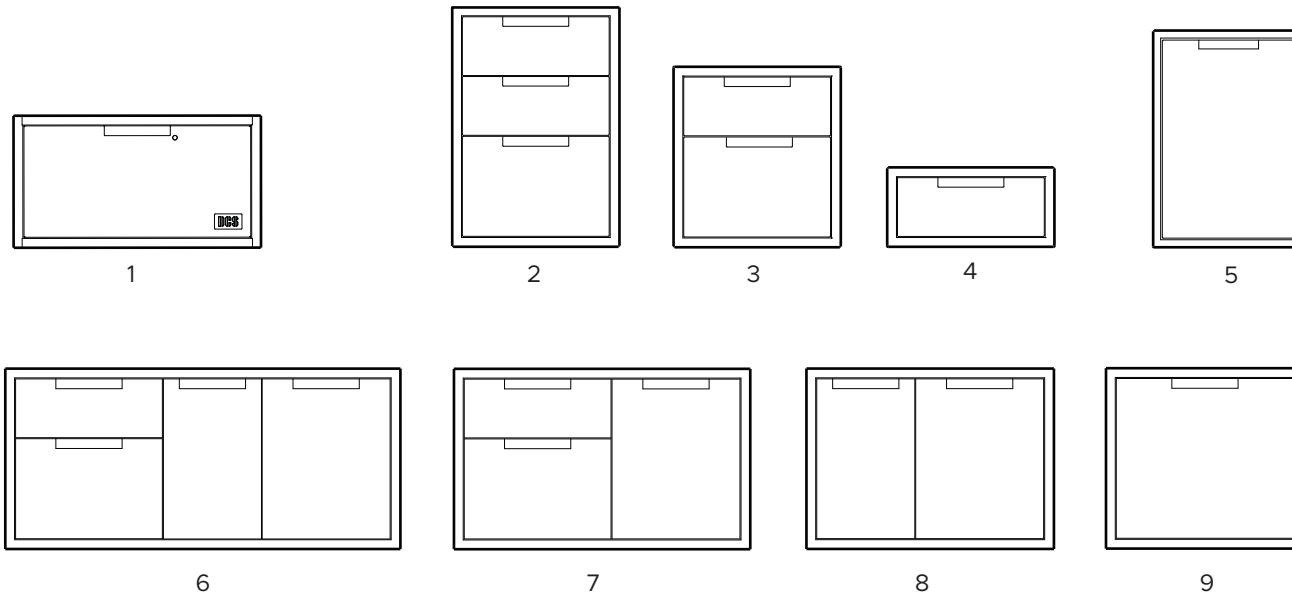
6 RF24RE4, RF24LE4 Outdoor refrigerator

24" Single door refrigerator, 5.3 cu foot capacity and open door alarm. Left or right door opening.

7 RF15IL3, RF15R3 Outdoor Ice Machine

15" Ice Machine, 39lb per day, sound buffered, eco and delay mode.

The models shown in this Planning Guide may not be available in all markets and are subject to change at any time. Product specifications may vary from those shown. This Planning Guide should not be used as installation guidance for any product. Further information is required to safely and correctly install the products featured here. Specific installation guidance will be available on our website dcsappliances.com



DRAWERS

1 WD1-30-SSOD Warming drawer

30" Outdoor warming drawer, removable stainless steel shelf, space for 6 standard dinner plates.

2 TDT1-20 Tower drawer triple

20 5/16" Wide outdoor weather resistant triple drawers.

3 TDD1-20 Tower drawer double

20 5/16" Wide outdoor weather resistant double drawers.

4 TDS1-20 Tower drawer single

20 5/16" Wide outdoor weather resistant single drawer.

5 TB1-20 Trash bin

20 5/16" Wide waste solution with two full sized removable bins.

6 ADR2-48 Access drawers

48" Wide access four drawer or convert to trash drawer and flexible storage.

7 ADR2-36 Access drawers

36" Wide access three drawer or convert to trash drawer and flexible storage.

8 ADR2-30 Access drawers

30" Wide access two drawer or convert to trash drawer and flexible storage.

9 ADR2-24 Access drawers

24" Wide access single drawer or convert to trash drawer.

The models shown in this Planning Guide may not be available in all markets and are subject to change at any time. Product specifications may vary from those shown. This Planning Guide should not be used as installation guidance for any product. Further information is required to safely and correctly install the products featured here. Specific installation guidance will be available on our website dcsappliances.com

ACCESS DOORS

1 DP1-42 Dry pantry

42" Wide dry pantry, adjustable storage, removable storage bins and wire shelves.

2 ADN1-20X48 Access doors

48" Wide access doors, for built in cabinet storage.

3 ADN1-20X36 Access doors

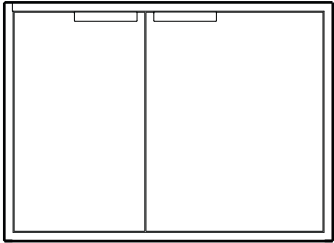
36" Wide access doors, for built in cabinet storage.

4 ADN1-20X30 Access doors

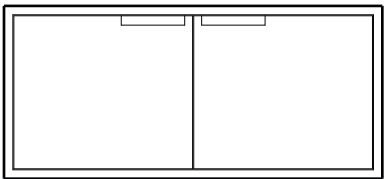
30" Wide access doors, for built in cabinet storage.

5 ADN1-20X24 Access doors

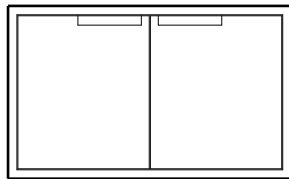
24" Wide access doors, for built in cabinet storage.



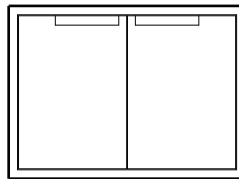
1



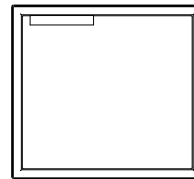
2



3

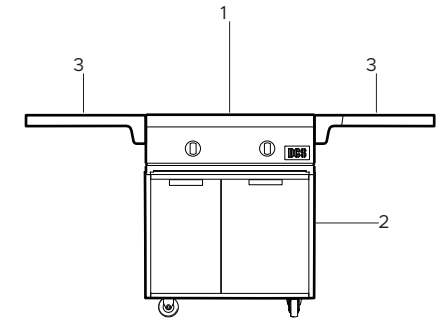
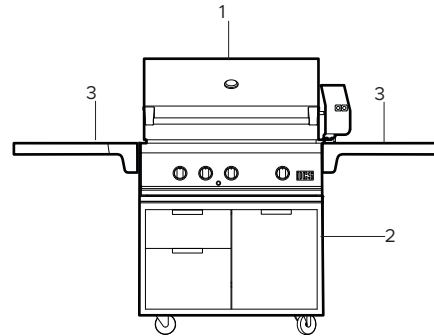
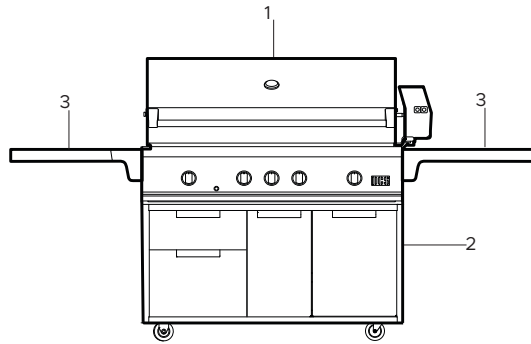


4



5

The models shown in this Planning Guide may not be available in all markets and are subject to change at any time. Product specifications may vary from those shown. This Planning Guide should not be used as installation guidance for any product. Further information is required to safely and correctly install the products featured here. Specific installation guidance will be available on our website dcsappliances.com



MODELS

1 48" Grill with Rotisserie, Sear Burner and Charcoal Smoker Tray

Models: BE1-48RCI-L (LPG), BE1-48RCI-N (NG)

2 48" Cad Grill Cart

CAD1-48E

3 Shelf Accessories - Optional

Side Shelf - CAD1-SK

Bamboo Cutting Board AP-CBB

1 36" Grill with Rotisserie and Charcoal Smoker Tray

Models: BE1-36RC-L (LPG), BE1-36RC-N (NG)

2 36" Cad Grill Cart

CAD1-36E

3 Shelf Accessories - Optional

Side Shelf - CAD1-SK

Bamboo Cutting Board AP-CBB

1 30" All Grill

Models: BE1-30AG-L (LPG), BE1-30AG-N (NG)

2 30" Cad Grill Cart

CAD1-30E

3 Shelf Accessories - Optional

Side Shelf - CAD1-SK

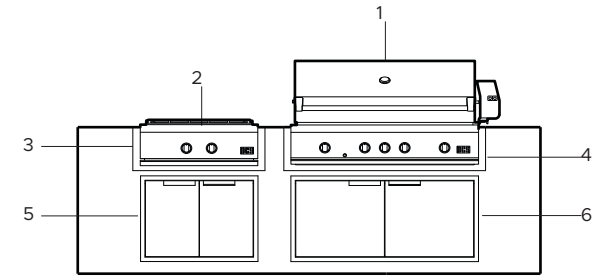
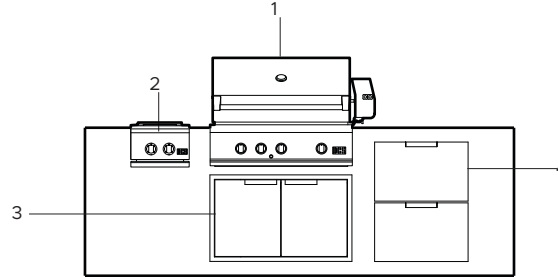
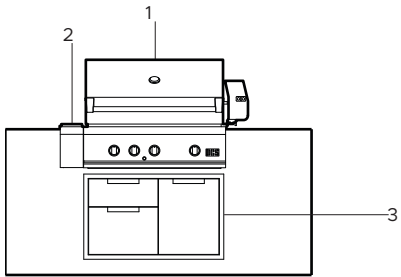
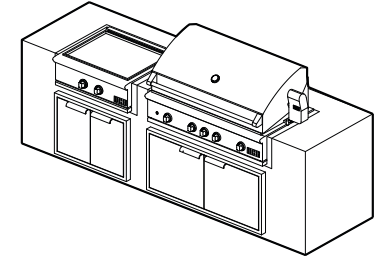
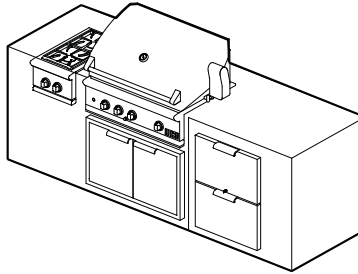
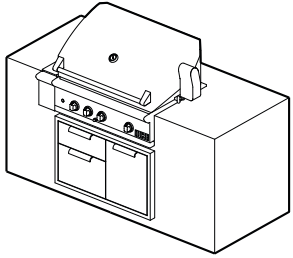
Back Bar - CAD30-BB

Bamboo Cutting Board AP-CBB

Note: Any grill or 30" specialty cooking product with corresponding width to cart dimensions can be installed. Contact your DCS supplier for guidance.

The models shown in this Planning Guide may not be available in all markets and are subject to change at any time. Product specifications may vary from those shown. This Planning Guide should not be used as installation guidance for any product. Further information is required to safely and correctly install the products featured here. Specific installation guidance will be available on our website dcsappliances.com

DESIGN CHOICES | COMPACT CONFIGURATIONS



MODELS

1 36" Grill with Rotisserie, Sear Burner and Charcoal Smoker Tray

Models: BE1-36RCI-L (LPG), BE1-36RCI-N (NG)

2 6" Side Storage Unit

ASE6-36

3 36" Access Drawers Built-in

ADR2-36

1 36" Grill with Rotisserie and Charcoal Smoker Tray

Models: BE1-36RC-L (LPG), BE1-36R-N (NG)

2 14" Double Side Burner

Models: SBE1-142-L (LPG), SBE1-142 (NG)

3 36" Access Doors Built-in

ADN1-20X36

4 24" Outdoor Refrigerator Drawers

RF24DE4

1 48" Grill with Rotisserie, Sear Burner and Charcoal Smoker Tray

Models: BE1-48RCI-L (LPG), BE1-48RCI-N (NG)

2 30" Griddle

Models: GDE1-30-L (LPG), GDE1-30-N (NG)

3 30" Insulation Jacket

BGB30-IJS

4 48" Insulation Jacket

BGA48-IJS

5 30" Access Drawers Built-in

ADN1-20X30

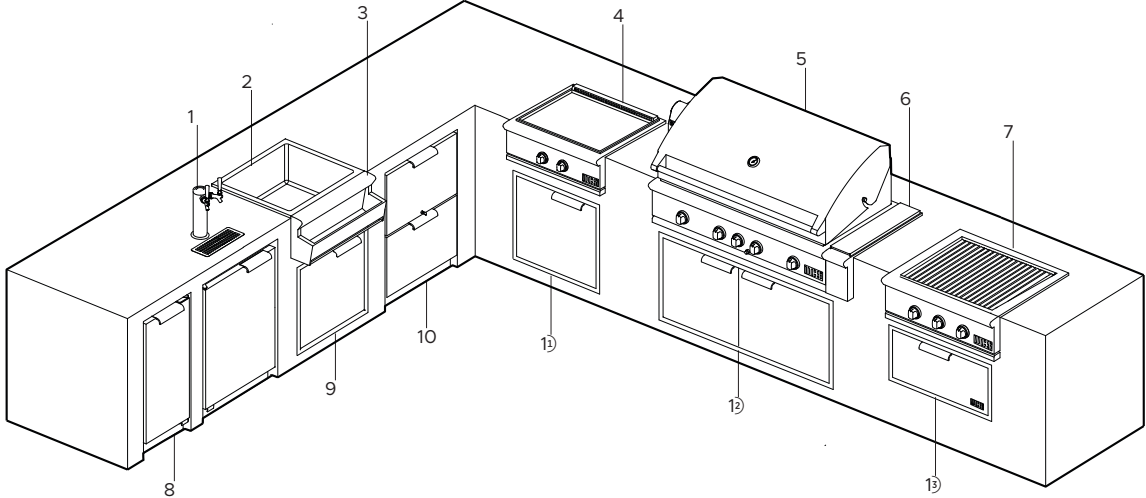
6 48" Access Doors Built-in

ADN1-20X48

Note: Multiple grill and storage configurations are available.

The models shown in this Planning Guide may not be available in all markets and are subject to change at any time. Product specifications may vary from those shown. This Planning Guide should not be used as installation guidance for any product. Further information is required to safely and correctly install the products featured here. Specific installation guidance will be available on our website dcsappliances.com

DESIGN CHOICES | MEDIUM OUTDOOR KITCHEN



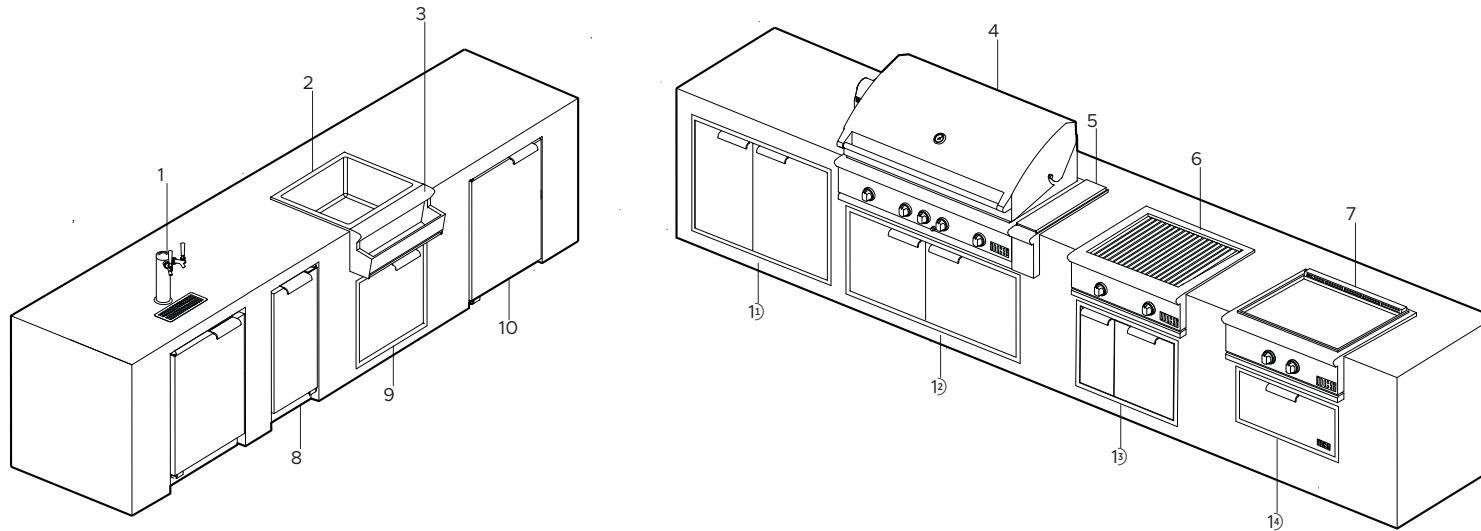
MODELS

1 24" Outdoor Dual Tap Beer Dispenser RF24BTR2	6 6" Side Storage Unit ASE6-48	1) 24" Access Door ADN1-20X24
2 25" Beverage Chiller/Sink BC25	7 30" All Grill Models: BE1-30AG-L, (LPG), BE1-30AG-N (NG)	1) 48" Access Doors ADN1-20X48
3 Bottle Holder Accessory BC1-25AC	8 15" Outdoor Ice Machine Models: RF15IL3 (left hand opening), RF15IR3 (right hand opening)	1) 30" Outdoor Warming Drawer WD1-30-SSOD
4 30" Griddle Models: GDE1-30-L, (LPG), GDE1-30-N (NG)	9 24" Access Door ADN1-20X24	
5 48" Grill with Rotisserie, Sear Burner and Charcoal Smoker Tray Models: BE1-48RCI-L (LPG), BE1-48RCI-N (NG)	10 24" Outdoor Refrigerator Drawers RF24DE4	

Note: Multiple grill, cooler and storage configurations are available.

The models shown in this Planning Guide may not be available in all markets and are subject to change at any time. Product specifications may vary from those shown. This Planning Guide should not be used as installation guidance for any product. Further information is required to safely and correctly install the products featured here. Specific installation guidance will be available on our website dcsappliances.com

DESIGN CHOICES | LARGE OUTDOOR KITCHEN



MODELS

1 24" Outdoor Dual Tap Beer Dispenser

RF24BTR2

2 25" Beverage Chiller/Sink

BC25

3 Bottle Holder Accessory

BC1-25AC

4 48" Grill with Rotisserie, Sear Burner and Charcoal Smoker Tray

Models: BE1-48RCI-L (LPG), BE1-48RCI-N (NG)

5 6" Side Storage Unit

ASE6-48

6 30" All Grill

Models: BE1-30AG-L, (LPG), BE1-30AG-N (NG)

7 30" Griddle

Models: GDE1-30-L, (LPG), GDE1-30-N (NG)

8 15" Outdoor Ice Machine

Models: RF15IL3 (left hand opening), RF15IR3 (right hand opening)

9 24" Access Door

ADN1-20X24

10 24" Outdoor Refrigerator

Models: RF24LE4 (left hand opening), RF24RE4 (right hand)

1) 42" Dry Pantry

DP1-42

1) 48" Access Doors

ADN1-20X48

1) 30" Access Drawers Built-in

ADR2-30

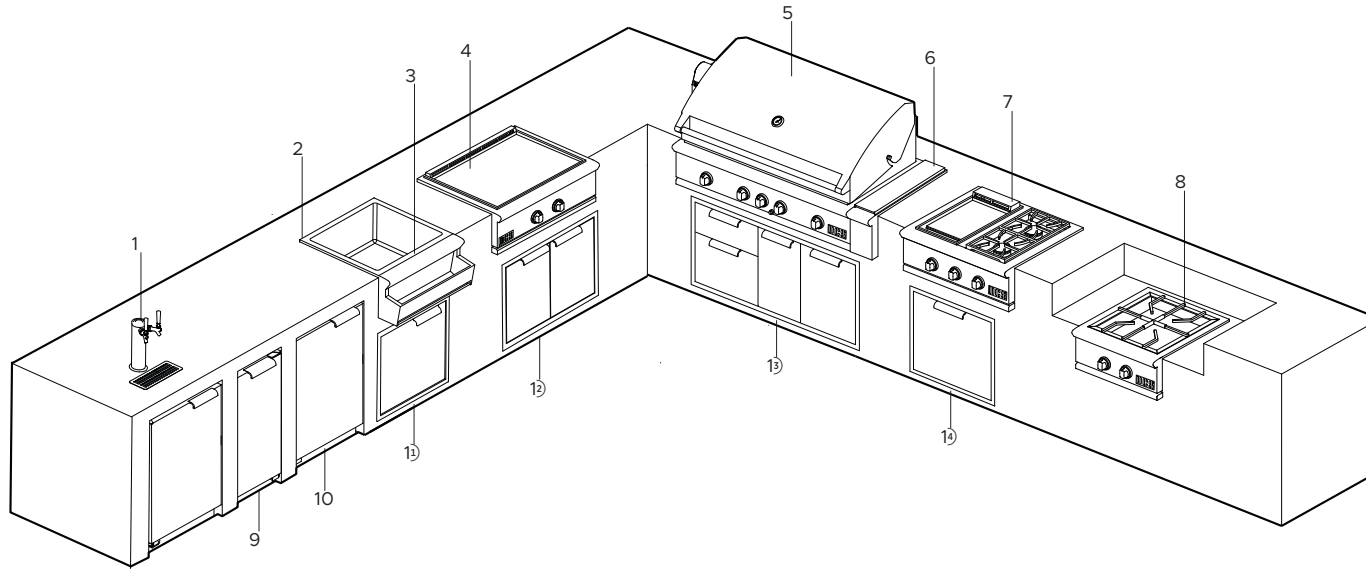
1) 30" Outdoor Warming Drawer

WD1-30-SSOD

NOTE: Multiple grill, cooler and storage configurations are available.

The models shown in this Planning Guide may not be available in all markets and are subject to change at any time. Product specifications may vary from those shown. This Planning Guide should not be used as installation guidance for any product. Further information is required to safely and correctly install the products featured here. Specific installation guidance will be available on our website dcsappliances.com

DESIGN CHOICES | LARGE OUTDOOR KITCHEN



MODELS

1 24" Outdoor Dual Tap Beer Dispenser

RF24BTR2

2 25" Beverage Chiller/Sink

BC25

3 Bottle Holder Accessory

BC1-25AC

4 30" Griddle

Models: GDE1-30-L, (LPG), GDE1-30-N (NG)

5 48" Grill with Rotisserie, Sear Burner and Charcoal Smoker Tray

Models: BE1-48RCI-L (LPG), BE1-48RCI-N (NG)

6 6" Side Storage Unit

ASE6-48

7 30" Griddle/Side Burner

Models: GDSBE1-302-L, (LPG), GDSBE1-302-N (NG)

8 24" Power Burner

Models: PBE1-24-L (LPG), PBE1-24-N (NG)

9 15" Outdoor Ice Machine

Models: RF15IL3 (left hand opening), RF15IR3 (right hand opening)

10 24" Outdoor Refrigerator

Models: RF24LE4 (left hand opening), RF24RE4 (right hand)

1) 24" Access Door Built-in

ADN1-20X24

1) 30" Access Doors

ADN1-20X30

1) 48" Access Drawers Built-in

ADR2-48

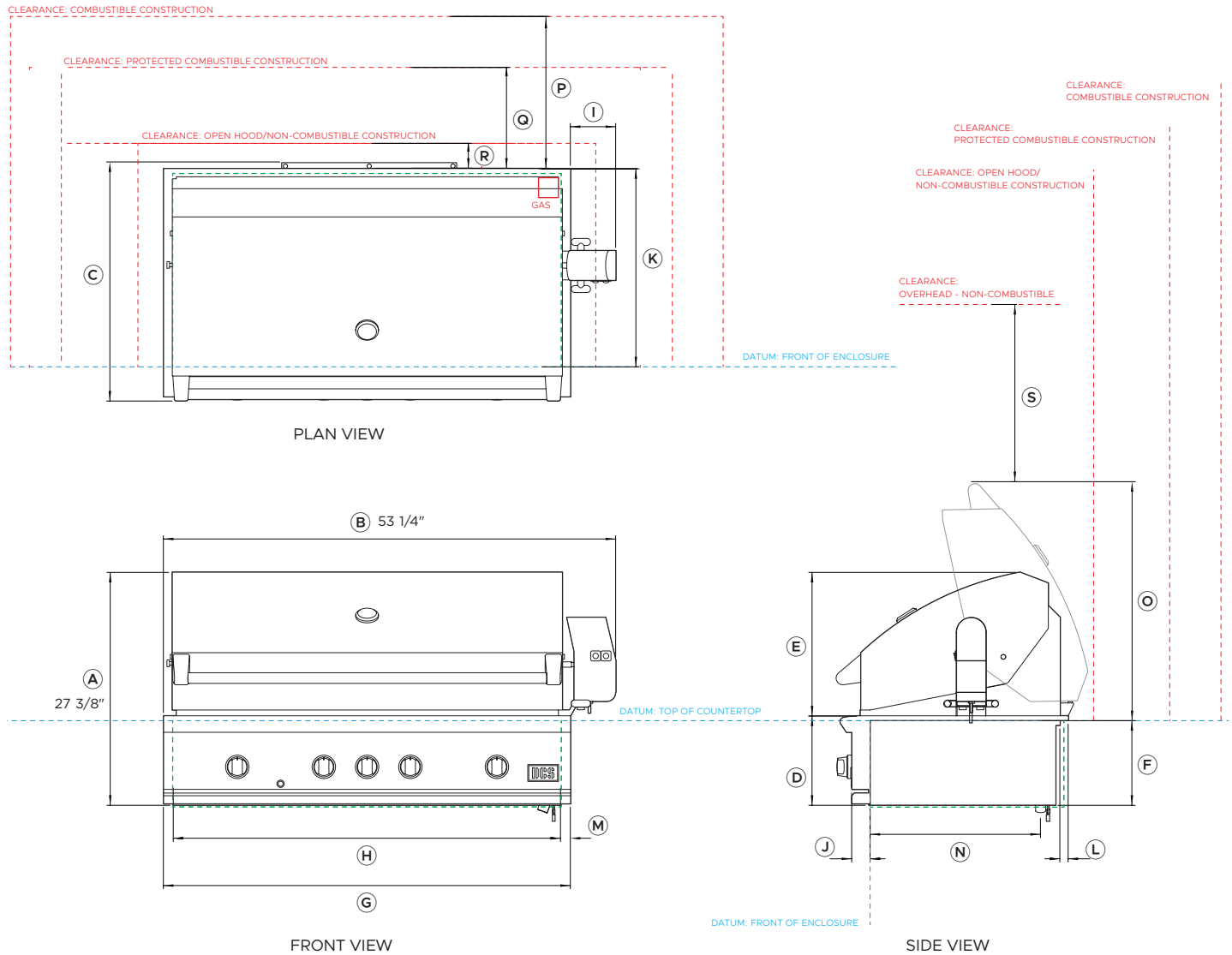
1) 24" Access Door Built-in

ADN1-20X24

NOTE: Multiple grill, cooler and storage configurations are available.

The models shown in this Planning Guide may not be available in all markets and are subject to change at any time. Product specifications may vary from those shown. This Planning Guide should not be used as installation guidance for any product. Further information is required to safely and correctly install the products featured here. Specific installation guidance will be available on our website dcsappliances.com

DATA SHEETS



Model no:
48" Grills with rotisserie - BE1-48RCI, BE1-48RC

Product Dimensions	inch	mm
Ⓐ Overall height	27 3/8	696
Ⓑ Overall width including rotisserie motor	53 1/4	1353
Ⓒ Overall depth	27 15/16	709
Ⓓ Height of chassis including flange	10 1/2	267
Ⓔ Height of chassis from top of hood to flange	16 15/16	430
Ⓕ Height of chassis below flange	9 15/16	253
Ⓖ Width of control panel	47 15/16	1217
Ⓗ Width of chassis inside enclosure	45 9/16	1158
Ⓘ Rotisserie motor depth	5 5/16	135
Ⓝ Control panel depth	22 3/16	55
Ⓚ Front of cabinet (proud) to rear flange	23 5/16	592
Ⓛ Depth of rear flange	1	25
Ⓜ Width of side flanges	1 3/16	29.5
Ⓝ Front of chassis to gas outlet	20 1/16	509
Ⓞ Height of open hood to top of counter-top	27 3/8	691

Minimum Clearances	inch	mm
Ⓟ Clearance to combustible construction	18	457
Ⓠ Clearance to protected combustible construction	12	305
Ⓡ Clearance to non-combustible construction	3	76
Ⓢ Minimum clearance top of open hood to non-combustible surface	24	76

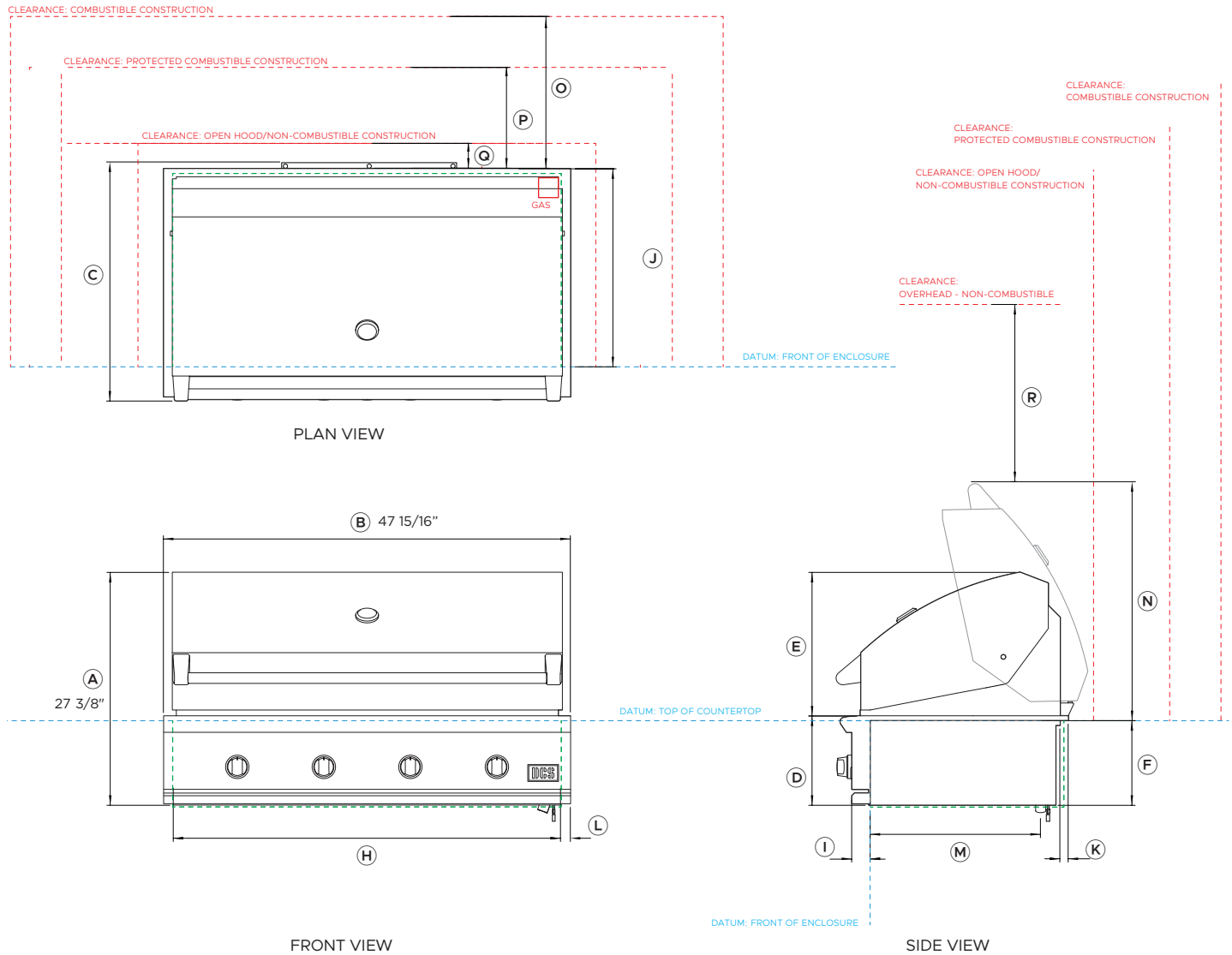
Note: Do not install under unprotected combustible or protected combustible construction without using a fire safe ventilation system As per UL 507 and CSA C22.2 No 60335-2-31.

If the grill is to be placed into a combustible enclosure, an approved insulated jacket is necessary. Use only the DCS insulated jacket which has specifically been designed and tested for this purpose.

48" Insulated jacket model number: BGA48-IJS

INDICATES CABINETRY / PRODUCT DATUM -----
INDICATES CABINETRY CLEARANCES - - - - -

IMPORTANT NOTE: Throughout this guide, dimensions may vary by ±2mm (1/16"). Please read the Installation Guide for detailed information on installing the product. For full installation instructions visit dcsappliances.com



Model no:
48" Grills - BE1-48C

Product Dimensions	inch	mm
Ⓐ Overall height	27 3/8	696
Ⓑ Overall width	47 15/16	1217
Ⓒ Overall depth	27 15/16	709
Ⓓ Height of chassis including flange	10 1/2	267
Ⓔ Height of chassis from top of hood to flange	16 15/16	430
Ⓕ Height of chassis below flange	9 15/16	253
Ⓖ Width of chassis inside enclosure	45 9/16	1158
Ⓘ Control panel depth	22 3/16	55
Ⓙ Front of cabinet (proud) to rear flange	23 5/16	592
Ⓚ Depth of rear flange	1	25
Ⓛ Width of side flanges	1 3/16	29.5
Ⓜ Front of chassis to gas outlet	20 1/16	509
Ⓝ Height of open hood to top of counter-top	27 3/8	691

Minimum Clearances	inch	mm
Ⓞ Clearance to combustible construction	18	457
Ⓟ Clearance to protected combustible construction	12	305
Ⓠ Clearance to non-combustible construction	3	76
Ⓡ Minimum clearance top of open hood to non-combustible surface	24	76

Note: Do not install under unprotected combustible or protected combustible construction without using a fire safe ventilation system As per UL 507 and CSA C22.2 No 60335-2-31.

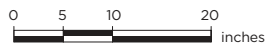
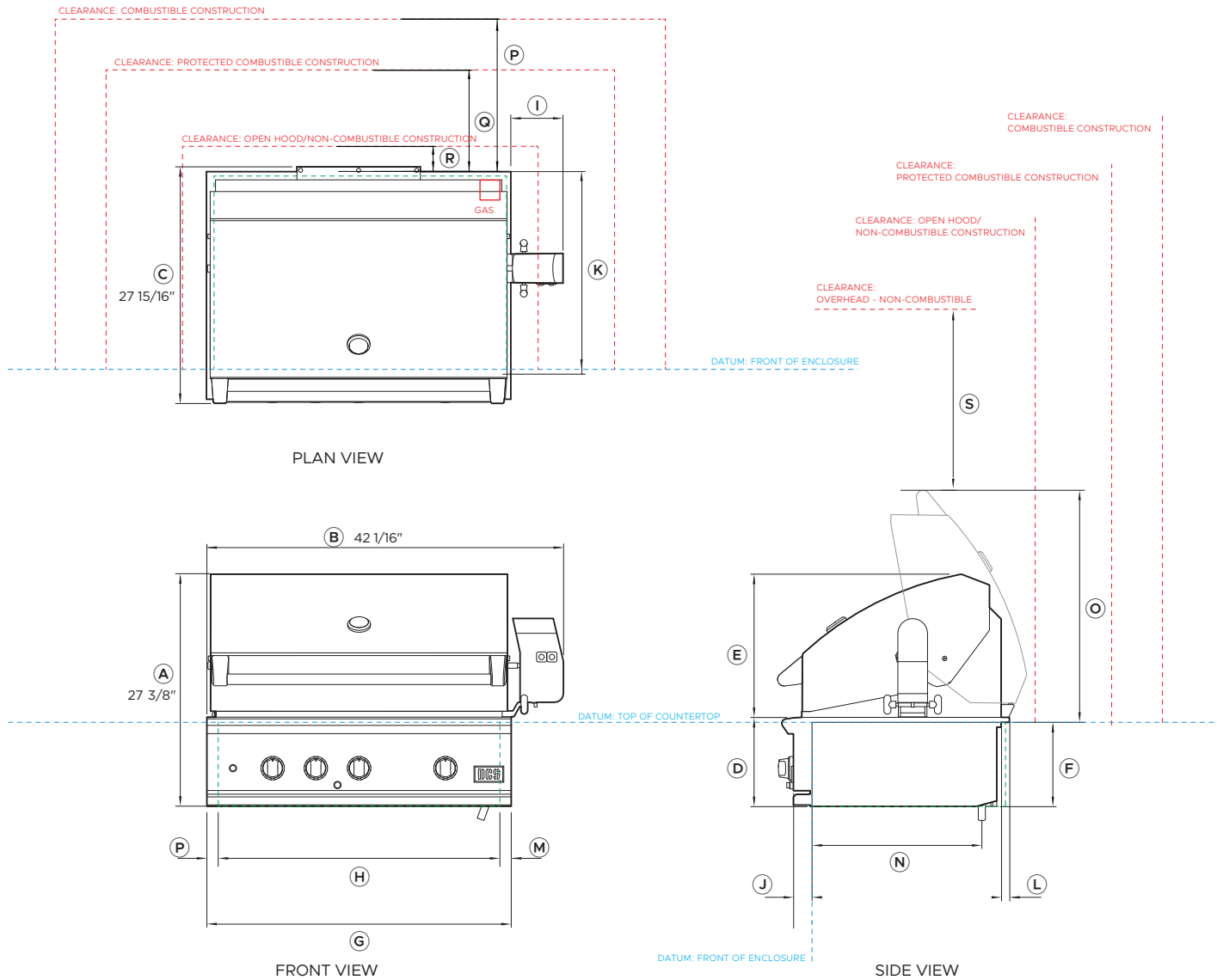
If the grill is to be placed into a combustible enclosure, an approved insulated jacket is necessary. Use only the DCS insulated jacket which has specifically been designed and tested for this purpose.

48" Insulated jacket model number: BGA48-IJS

INDICATES CABINETRY / PRODUCT DATUM -----
INDICATES CABINETRY CLEARANCES - - - - -

IMPORTANT NOTE: Throughout this guide, dimensions may vary by ±2mm (1/16"). Please read the Installation Guide for detailed information on installing the product. For full installation instructions visit dcsappliances.com





Model no:

36" Grills with rotisserie - BE1-36RCI, BE1-36RC

Product Dimensions	inch	mm
A Overall height (excluding lid)	27 3/8	696
B Overall width including rotisserie motor	42 1/16	1069
C Overall depth	27 15/16	709
D Height of chassis including flange	10 1/2	267
E Height of chassis from top of hood to flange	16 15/16	430
F Height of chassis below flange	9 15/16	253
G Width of control panel	35 15/16	912
H Width of Chassis inside enclosure	33 11/16	855
I Rotisserie motor depth	6 1/8	156
J Control panel depth	2 3/16	55
K Front of cabinet (proud) to rear flange	23 5/16	592
L Depth of rear flange	1	25
M Width of side flanges	1 3/16	29.5
N Front of chassis to gas outlet	20 1/16	509
O Height of open hood to top of counter-top	27 3/16	691

Minimum Clearances	inch	mm
P Clearance to combustibile construction	18	457
Q Clearance to protected combustibile construction	12	305
R Clearance to non-combustibile construction	3	76
S Minimum clearance top of open hood to non-combustibile surface	24	610

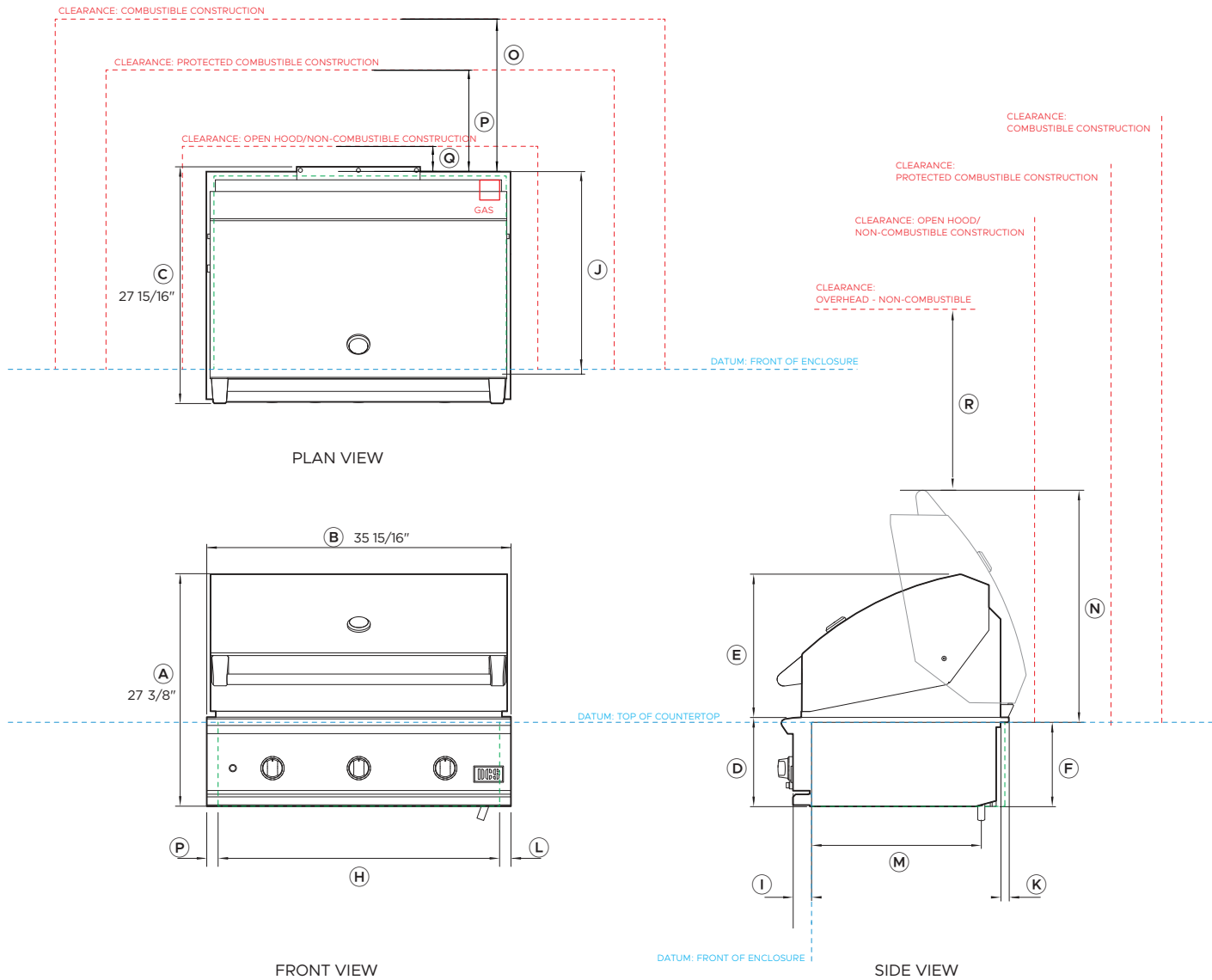
Note: Do not install under unprotected combustibile or protected combustibile construction without using a fire safe ventilation system As per UL 507 and CSA C22.2 No 60335-2-31.

If the grill is to be placed into a combustibile enclosure, an approved insulated jacket is necessary. Use only the DCS insulated jacket which has specifically been designed and tested for this purpose.

36" Insulated jacket model number: BGA36-IJS

INDICATES CABINETRY / PRODUCT DATUM -----
 INDICATES CABINETRY CLEARANCES - - - - -

IMPORTANT NOTE: Throughout this guide, dimensions may vary by ±2mm (1/16"). Please read the Installation Guide for detailed information on installing the product. For full installation instructions visit dcsappliances.com



Model no:
36" Grills - BE1-36C

Product Dimensions		inch	mm
A	Overall height (excluding lid)	27 3/8	696
B	Overall width	35 15/16	912
C	Overall depth	27 15/16	709
D	Height of chassis including flange	10 1/2	267
E	Height of chassis from top of hood to flange	16 15/16	430
F	Height of chassis below flange	9 15/16	253
H	Width of Chassis inside enclosure	33 11/16	855
I	Control panel depth	2 3/16	55
J	Front of cabinet (proud) to rear flange	23 5/16	592
K	Depth of rear flange	1	25
L	Width of side flanges	1 3/16	29.5
M	Front of chassis to gas outlet	20 1/16	509
N	Height of open hood to top of counter-top	27 3/16	691

Minimum Clearances		inch	mm
O	Clearance to combustible construction	18	457
P	Clearance to protected combustible construction	12	305
Q	Clearance to non-combustible construction	3	76
R	Minimum clearance top of open hood to non-combustible surface	24	610

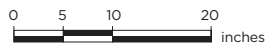
Note: Do not install under unprotected combustible or protected combustible construction without using a fire safe ventilation system As per UL 507 and CSA C22.2 No 60335-2-31.

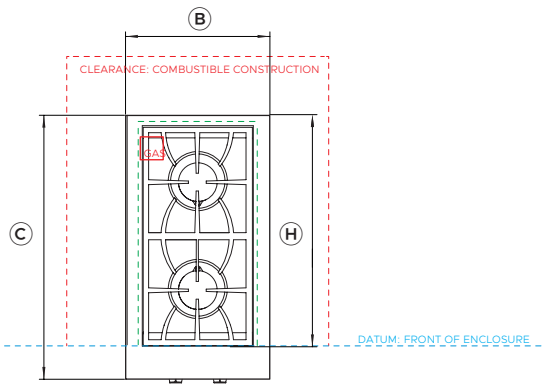
If the grill is to be placed into a combustible enclosure, an approved insulated jacket is necessary. Use only the DCS insulated jacket which has specifically been designed and tested for this purpose.

36" Insulated jacket model number: BGA36-IJS

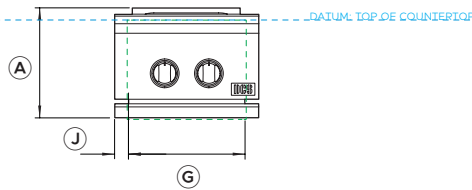
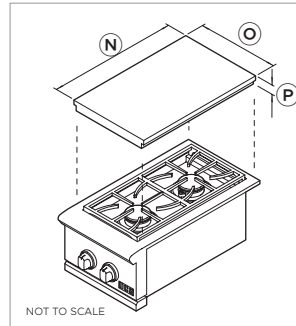
INDICATES CABINETRY / PRODUCT DATUM -----
INDICATES CABINETRY CLEARANCES - - - - -

IMPORTANT NOTE: Throughout this guide, dimensions may vary by ±2mm (1/16"). Please read the Installation Guide for detailed information on installing the product. For full installation instructions visit dcsappliances.com

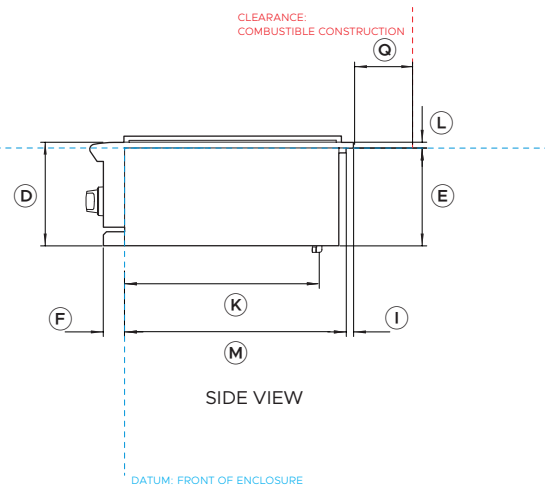




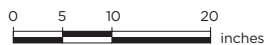
PLAN VIEW



FRONT VIEW



SIDE VIEW



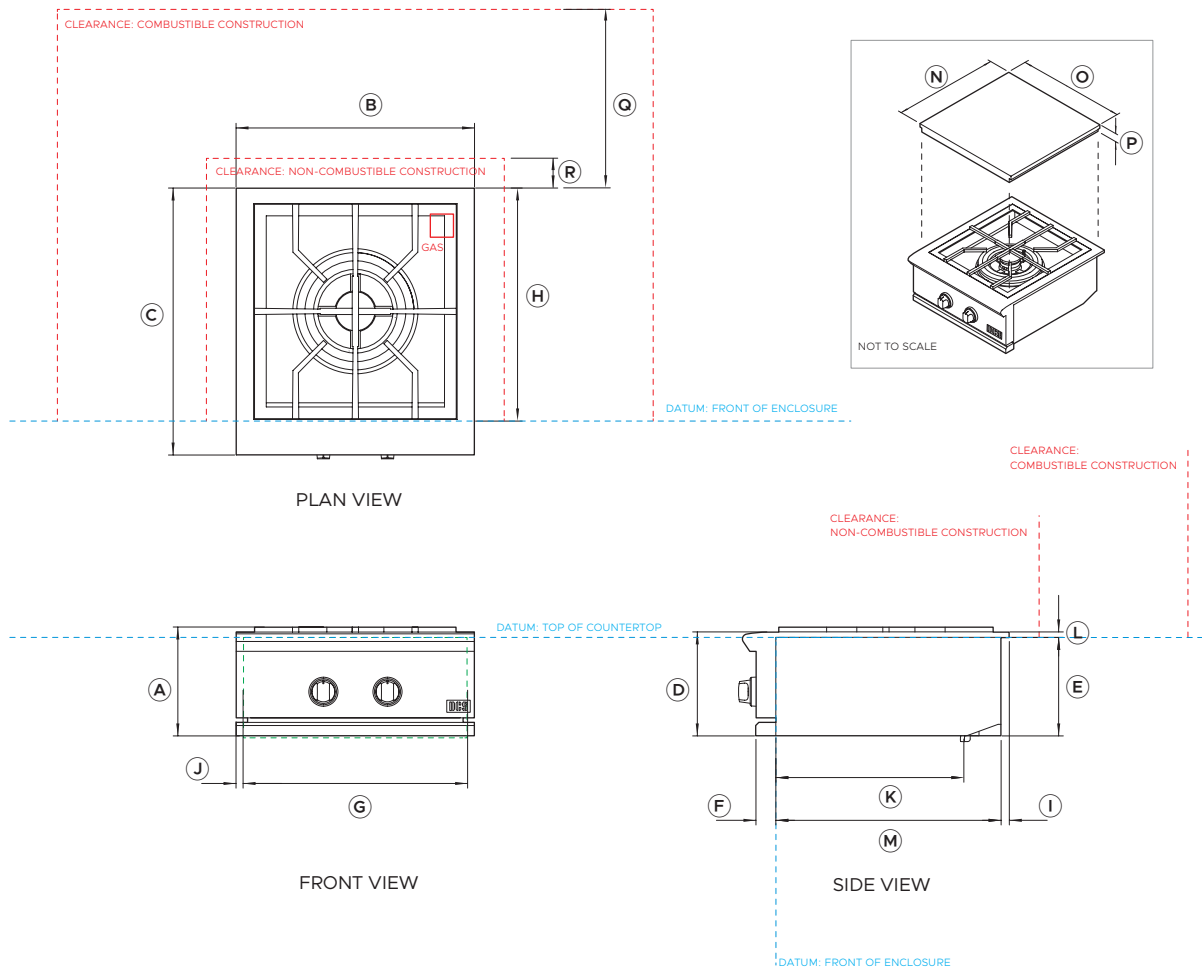
Model no:
Side burner - SBE1-142

Product Dimensions	inch	mm
(A) Overall height	11 3/4	285
(B) Overall width	14 11/16	373
(C) Overall depth (excluding dials)	26 7/8	683
(D) Height of chassis including flange	10 5/8	268
(E) Height of chassis below flange	9 15/16	253
(F) Control panel depth	2 3/16	55
(G) Width of Chassis inside enclosure	11 7/8	301
(H) Front of cabinet (proud) to rear flange	11 1/4	286
(I) Depth of rear flange	3/4	19
(J) Width of side flanges	1 7/6	36
(K) Front of chassis to gas outlet	20 1/16	509
(L) Height of flange	19/32	15
(M) Depth of chassis	22 9/16	573
(N) Depth of lid	23	585
(O) Width of lid	14 3/8	365
(P) Height of lid	1 11/16	43

Minimum Clearances	inch	mm
(Q) Clearance to surfaces above counter-top at rear and sides	6	152

INDICATES CABINETRY / PRODUCT DATUM -----
INDICATES CABINETRY CLEARANCES - - - - -

IMPORTANT NOTE: Throughout this guide, dimensions may vary by ±2mm (1/16"). Please read the Installation Guide for detailed information on installing the product. For full installation instructions visit dcsappliances.com



Model no:
Power burner - PBE1-24

Product Dimensions	inch	mm
(A) Overall height	11	279
(B) Overall width	24	610
(C) Overall depth (excluding dials)	26 7/8	683
(D) Height of chassis including flange	10 1/2	266
(E) Height of chassis below flange	9 15/16	252
(F) Control panel depth	2	51
(G) Width of chassis inside enclosure	20 3/16	552
(H) Front of cabinet (proud) to rear flange	23 1/2	597
(I) Depth of rear flange	1	25
(J) Width of side flanges	1 1/8	29
(K) Front of chassis to gas outlet	20 1/16	509
(L) Height of flange	9/16	14
(M) Depth of chassis	22 9/16	573
(N) Depth of lid	22 15/16	583
(O) Width of lid	23 5/8	600
(P) Height of lid	1 11/16	43

Minimum Clearances	inch	mm
(Q) Clearance to combustible construction	18	457
(R) Clearance to non-combustible construction	3	76

Note: The power burner should be mounted 6 - 12" below the counter-top height to assist with lifting heavy pans and wind protection.

If the power burner is to be placed into a combustible enclosure, an approved insulated jacket is necessary. Use only the DCS insulated jacket which has specifically been designed and tested for this purpose.

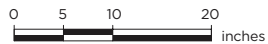
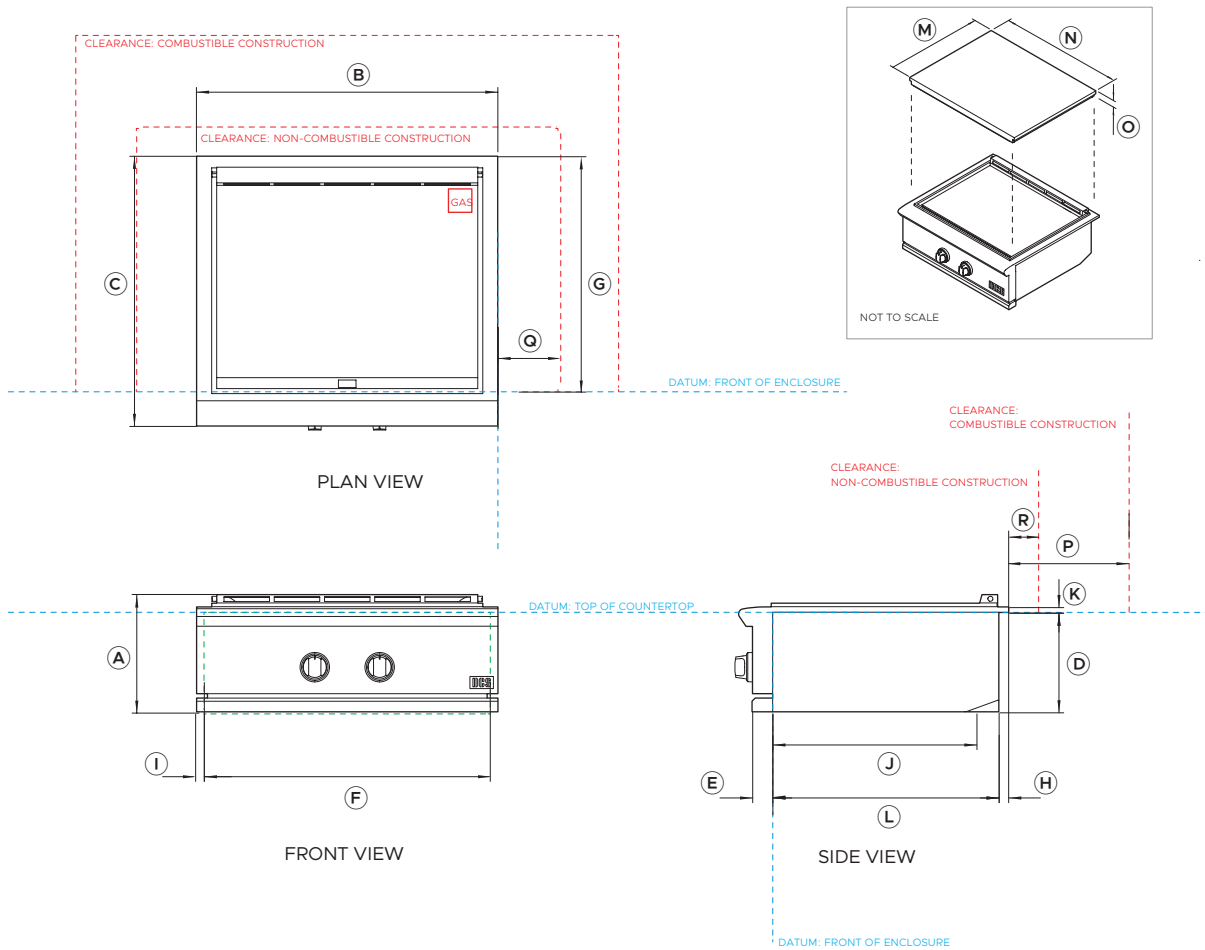
24" Insulated jacket model number: BGA24-IJS

INDICATES CABINETRY / PRODUCT DATUM -----
INDICATES CABINETRY CLEARANCES - - - - -

IMPORTANT NOTE: Throughout this guide, dimensions may vary by ±2mm (1/16"). Please read the Installation Guide for detailed information on installing the product. For full installation instructions visit dcsappliances.com



CLEARANCE: COMBUSTIBLE CONSTRUCTION



Model no:
Griddle - GDE1-30

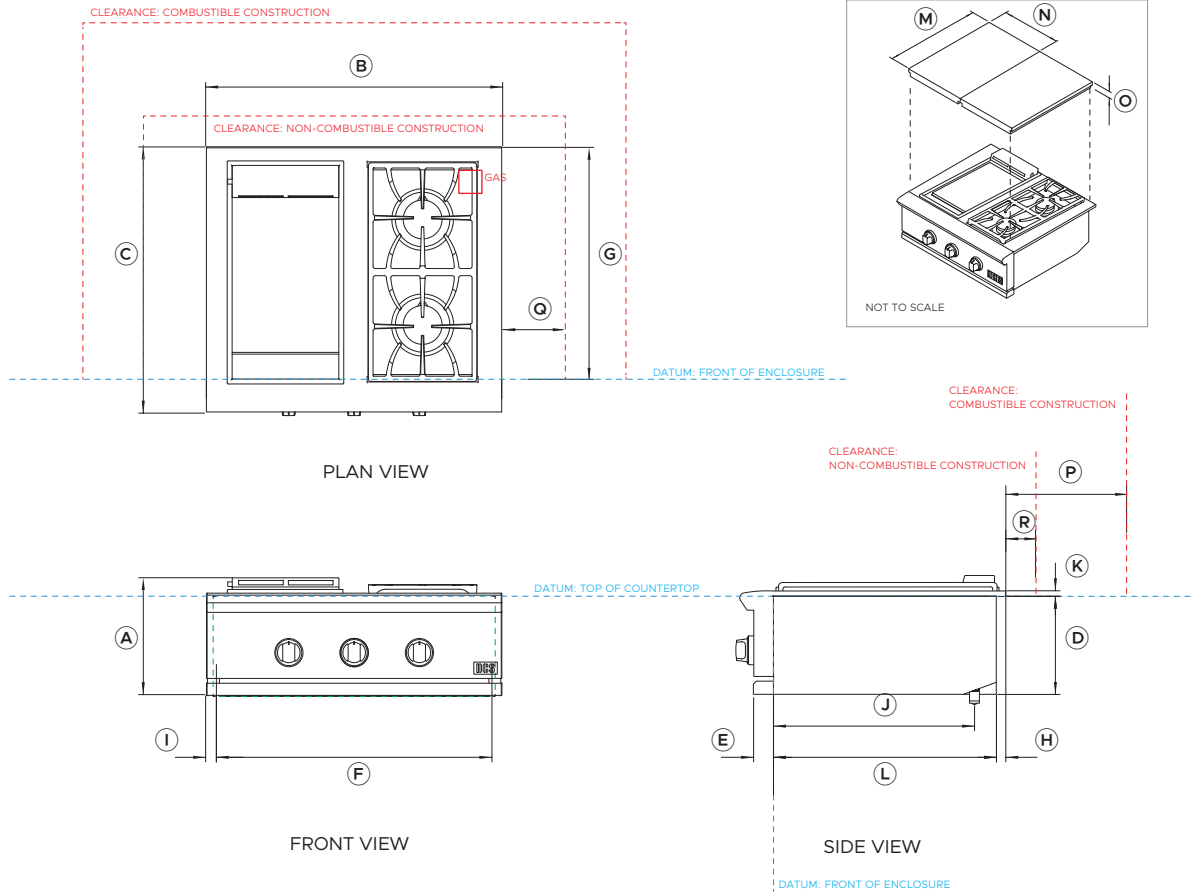
Product Dimensions	inch	mm
(A) Overall height	11 3/4	298
(B) Overall width	30	762
(C) Overall depth (excluding dials)	26 7/8	683
(D) Height of chassis below flange	9 15/16	252
(E) Control panel depth	2	51
(F) Width of chassis inside enclosure	27 13/16	707
(G) Front of cabinet (proud) to rear flange	23 1/2	597
(H) Depth of rear flange	1	25
(I) Width of side flanges	1 1/16	27.5
(J) Front of chassis to gas outlet	20 1/16	509
(K) Height of flange	9/16	14
(L) Depth of chassis	22 9/16	573
(M) Depth of lid	23	585
(N) Width of lid	29 1/2	750
(O) Height of lid	1 11/16	43

Minimum Clearances	inch	mm
(P) Clearance to combustibles above counter top at rear and sides	12	305
(Q) Clearance to non-combustibles above counter top at sides	6	152
(R) Clearance to non-combustibles above counter top at rear	3	76

Note: If the griddle is to be placed into a combustibles enclosure, an approved insulated jacket is necessary. Use only the DCS insulated jacket which has specifically been designed and tested for this purpose.
30" Insulated jacket model number: BGB30-IJS

INDICATES CABINETRY / PRODUCT DATUM -----
INDICATES CABINETRY CLEARANCES - - - - -

IMPORTANT NOTE: Throughout this guide, dimensions may vary by ±2mm (1/16"). Please read the Installation Guide for detailed information on installing the product. For full installation instructions visit dcsappliances.com



Model no:
Griddle/side burner - GDSBE1-302

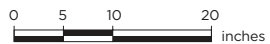
Product Dimensions	inch	mm
(A) Overall height	12	305
(B) Overall width	30	762
(C) Overall depth (excluding dials)	26 7/8	683
(D) Height of chassis below flange	9 15/16	252
(E) Control panel depth	2	51
(F) Width of chassis inside enclosure	27 13/16	707
(G) Front of cabinet (proud) to rear flange	23 1/2	597
(H) Depth of rear flange	7/8	22
(I) Width of side flanges	1 1/16	27.5
(J) Front of chassis to gas outlet	20 1/32	509
(K) Height of flange	9/16	14
(L) Depth of chassis	22 9/16	573
(M) Depth of lids (left and right)	23	584
(N) Width of lids (left and right)	14 3/8	365
(O) Height of lids (left and right)	1 11/16	43

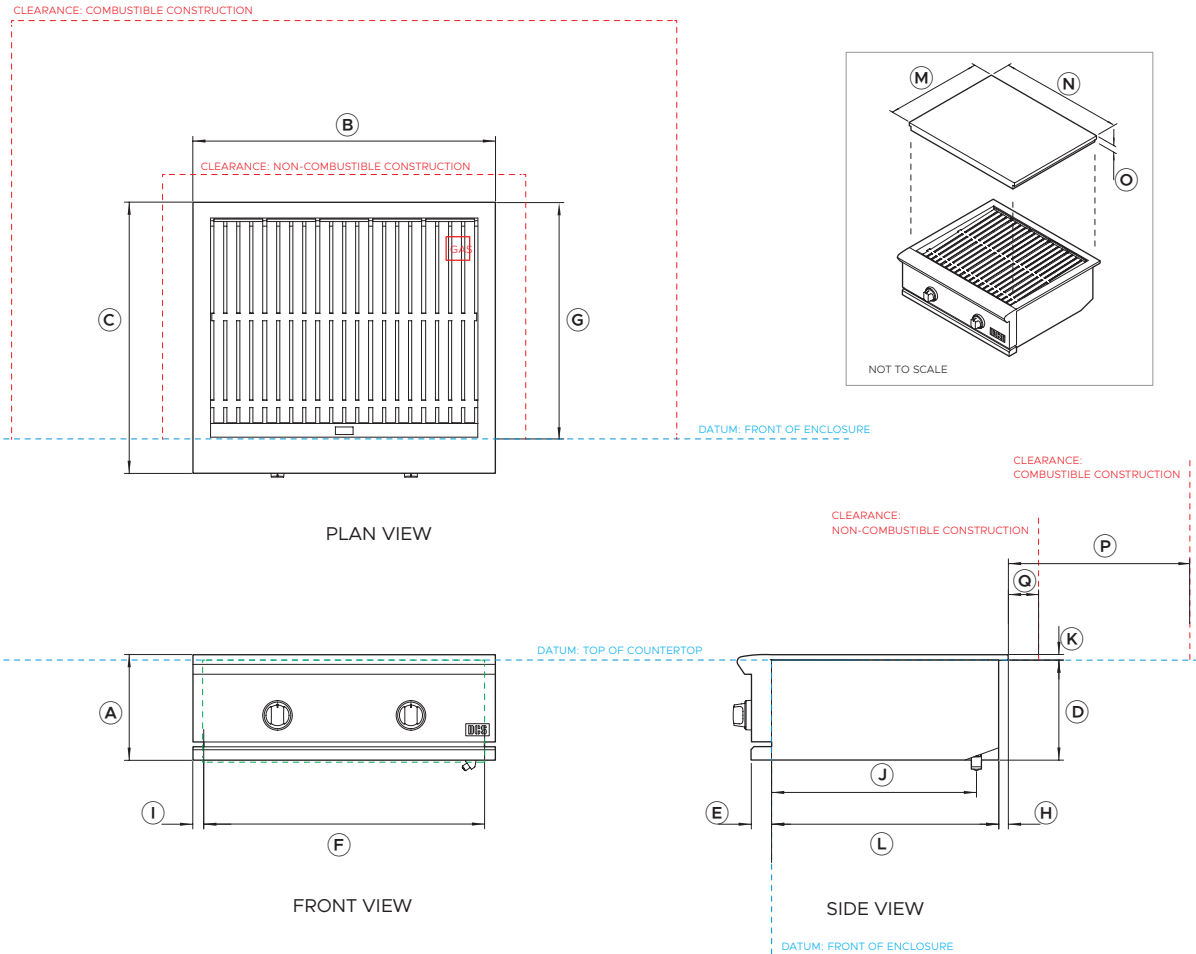
Minimum Clearances	inch	mm
(P) Clearance to combustible construction above counter top at rear and sides	12	305
(Q) Clearance to non-combustible construction above counter top at sides	6	152
(R) Clearance to non-combustible construction above counter top at rear	3	76

Note: If the griddle is to be placed into a combustible enclosure, an approved insulated jacket is necessary. Use only the DCS insulated jacket which has specifically been designed and tested for this purpose.
30" Insulated jacket model number: BGB30-IJS

INDICATES CABINETRY / PRODUCT DATUM -----
INDICATES CABINETRY CLEARANCES - - - - -

IMPORTANT NOTE: Throughout this guide, dimensions may vary by ±2mm (1/16"). Please read the Installation Guide for detailed information on installing the product. For full installation instructions visit dcsappliances.com





Model no:
All grill - BE1-30AG

Product Dimensions	inch	mm
(A) Overall height	10 1/2	266
(B) Overall width	30	762
(C) Overall depth (excluding dials)	26 7/8	683
(D) Height of chassis below flange	9 15/16	252
(E) Control panel depth	2 1/16	52
(F) Width of chassis inside enclosure	27 13/16	707
(G) Front of cabinet (proud) to rear flange	23 1/2	596
(H) Depth of rear flange	1	25
(I) Width of side flanges	1 1/16	27.5
(J) Front of chassis to gas outlet	20 1/16	509
(K) Height of flange	9/16	14
(L) Depth of chassis	22 9/16	573
(M) Depth of lid	23	585
(N) Width of lid	29 1/2	750
(O) Height of lid	1 11/16	43

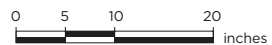
Minimum Clearances	inch	mm
(P) Clearance to combustible construction above counter top at rear and sides	18	457
(Q) Clearance to non-combustible construction above counter top at rear	3	76

Note: If the griddle is to be placed into a combustible enclosure, an approved insulated jacket is necessary. Use only the DCS insulated jacket which has specifically been designed and tested for this purpose.

30" Insulated jacket model number: BGB30-IJS

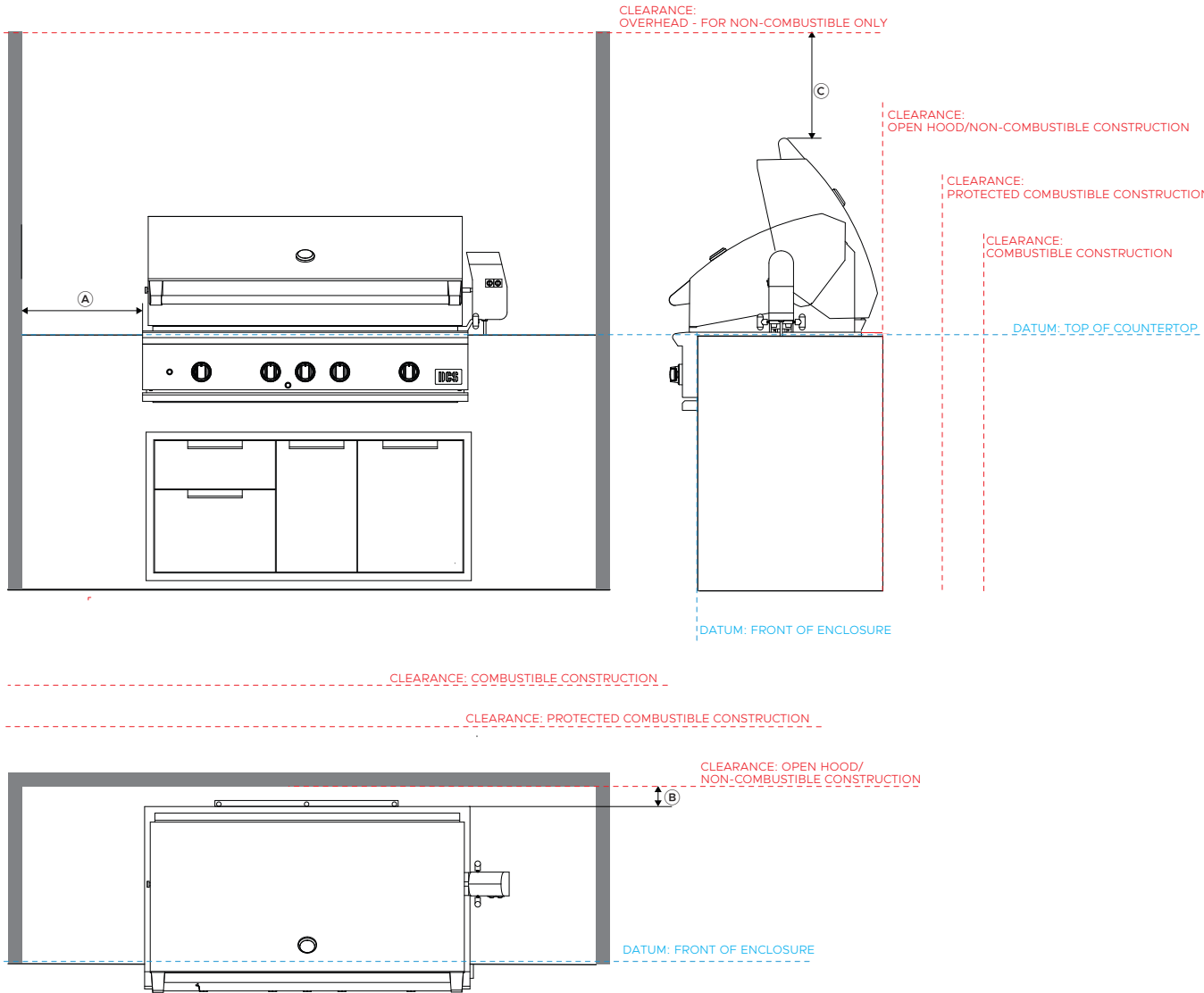
INDICATES CABINETRY / PRODUCT DATUM -----
INDICATES CABINETRY CLEARANCES - - - - -

IMPORTANT NOTE: Throughout this guide, dimensions may vary by ±2mm (1/16"). Please read the Installation Guide for detailed information on installing the product. For full installation instructions visit dcsappliances.com



PLANNING CONSIDERATIONS

SPECIFICATIONS | CLEARANCES - GRILLS



Model no:

Grills - BE1-48RCI, BE1-48RC, BE1-48C BE1-36RCI, BE1-36RC, BE1-36C

Product Dimensions

Clearance to non-combustible* surfaces	inch	mm
A) Minimum clearance to sides	6	153
B) Minimum clearance to back	3	76
C) Minimum clearance top of open hood to surface	24	610

Clearance to combustible** surfaces	inch	mm
A) Minimum clearance to sides	18	457
B) Minimum clearance to back	18	457

Clearance to protected*** combustible surfaces	inch	mm
A) Minimum clearance to sides	12	305
B) Minimum clearance to back	12	305

*Non-combustible materials are materials that are not capable of being ignited and burned consisting entirely of steel, iron, brick tile, concrete, slate and plaster.

**Combustible materials include any decorative or structural material made of wood, compressed paper, plant fibres, vinyl, plastic or other materials that are capable of transferring heat or being ignited or burned. Such materials are considered combustible even if flame proofed, fire retardant treated, surface painted or plastered. Clearances from combustible materials of minimum 18" (457mm) apply to the internal carcass of the cabinet if an insulation jacket is not used.

***Protected combustible surfaces have a non-combustible material (minimum 4" or 102mm) in front of or covering combustible material.

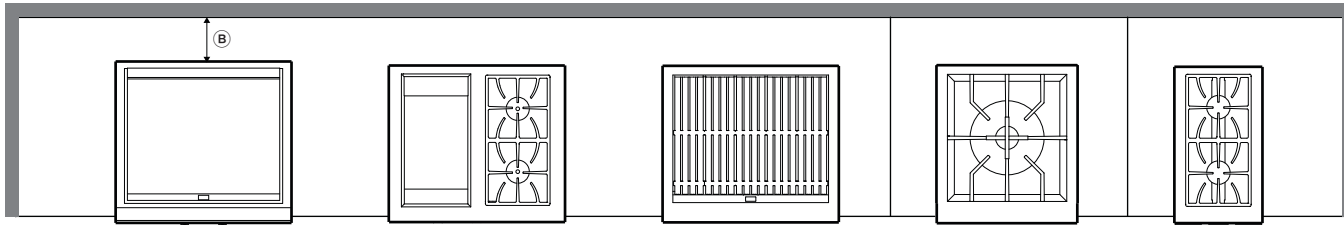
Note: Do not install under unprotected combustible or protected combustible construction without using a fire safe ventilation system As per UL 507 and CSA C22.2 No 60335-2-31.

If the grill is to be placed into a combustible enclosure, an approved insulated jacket is necessary. Use only the DCS insulated jacket which has specifically been designed and tested for this purpose.

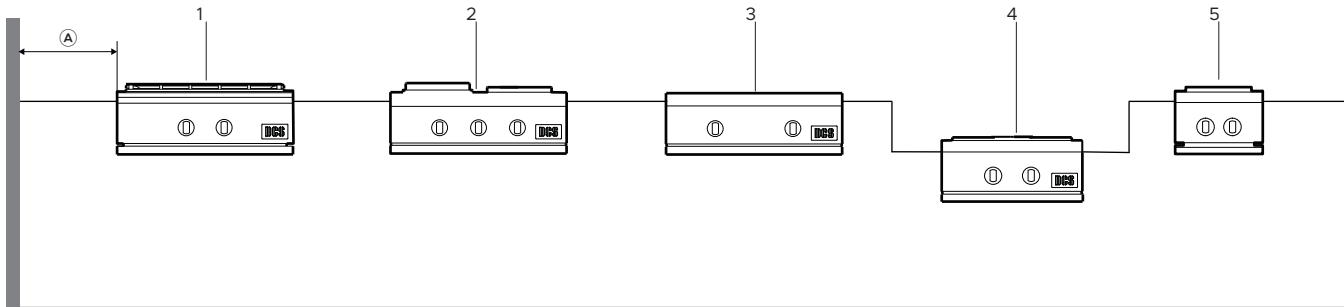
INDICATES CABINETRY / PRODUCT DATUM -----
 INDICATES CABINETRY CLEARANCES - - - - -

IMPORTANT NOTE: Throughout this guide, dimensions may vary by ±2mm (1/16"). Please read the Installation Guide for detailed information on installing the product. For full installation instructions visit dcsappliances.com

TOP VIEW



FRONT VIEW



Model no:
30" Griddles - 1 GDE1-30, 2 GDSBE1-30

Clearance to non-combustible* surfaces above counter top		inch	mm
Ⓐ	Minimum clearance to sides	6	152
Ⓑ	Minimum clearance to back	3	76
Clearance to combustible** surfaces above counter top		inch	mm
Ⓐ	Minimum clearance to sides	12	305
Ⓑ	Minimum clearance to back	12	305

Model no:
Specialty Cooking - 3 BE1-30AG, 4 24" PBE1-24

Clearance to non-combustible* surfaces above counter top		inch	mm
Ⓐ	Minimum clearance to sides	3	76
Ⓑ	Minimum clearance to back	3	76
Clearance to combustible** surfaces above counter top		inch	mm
Ⓐ	Minimum clearance to sides	18	457
Ⓑ	Minimum clearance to back	18	457

Model no:
14" Specialty Cooking - 5 SBE1-142

Clearance to combustible** surfaces above counter top		inch	mm
Ⓐ	Minimum clearance to sides	6	152
Ⓑ	Minimum clearance to back	6	152

*Non-combustible materials are materials that are not capable of being ignited and burned consisting entirely of steel, iron, brick tile, concrete, slate and plaster.

**Combustible materials include any decorative or structural material made of wood, compressed paper, plant fibres, vinyl, plastic or other materials that are capable of transferring heat or being ignited or burned. Such materials are considered combustible even if flame proofed, fire retardant treated, surface painted or plastered. Clearances from combustible materials of minimum 18" (457mm) apply to the internal carcass of the cabinet if an insulation jacket is not used.

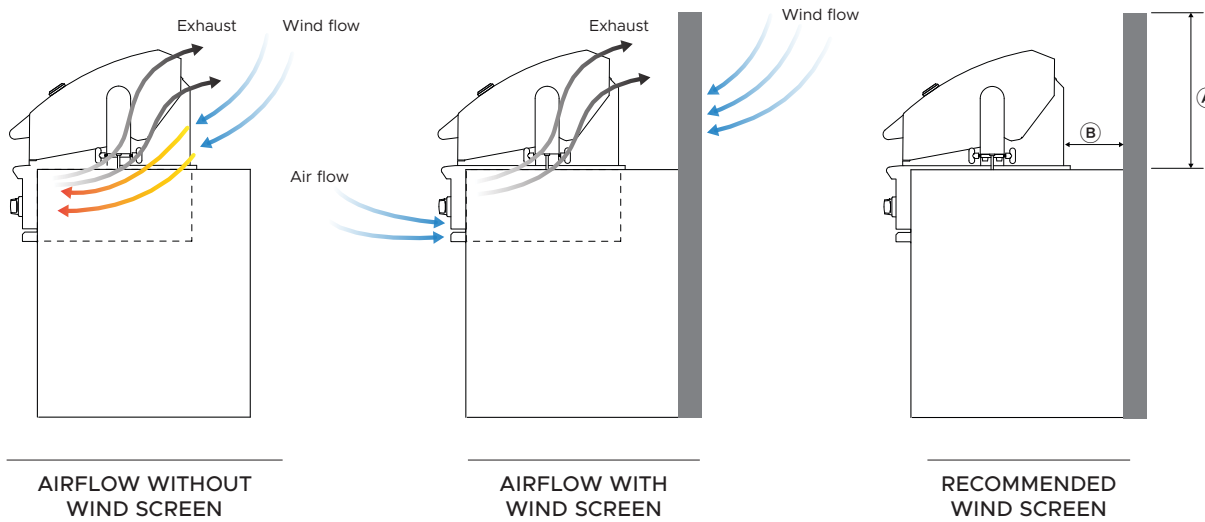
*** Protected combustible surfaces have a non-combustible material (minimum 4" or 102mm) in front of or covering combustible material.

INDICATES CABINETRY / PRODUCT DATUM -----
INDICATES CABINETRY CLEARANCES - - - - -

IMPORTANT NOTE: Throughout this guide, dimensions may vary by ±2mm (1/16"). Please read the Installation Guide for detailed information on installing the product. For full installation instructions visit dcsappliances.com

SPECIFICATIONS | WIND SCREEN PROTECTION

Wind hitting the grill while in use, (especially wind blowing into or across the hood gap) can cause poor performance. In some cases wind can cause the control panel to get hot. If wind is an issue, a windscreen should be added.



Wind protection Dimensions

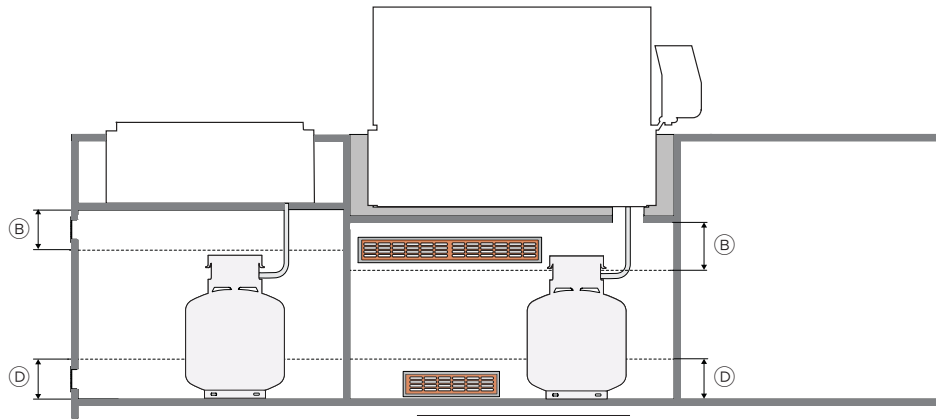
	inch	mm
Ⓐ Minimum windscreen height	18 3/4	476
Clearance to combustible surfaces		
Ⓑ Minimum clearance to back	18	457
Clearance to non-combustible surfaces		
Ⓑ Minimum clearance to back	3	76

Note: Wind hitting the grill while in use, (especially wind blowing into or across the hood gap) can cause poor performance and in some cases can cause the control panel to get dangerously hot. If wind is an issue, a windscreen should be added.

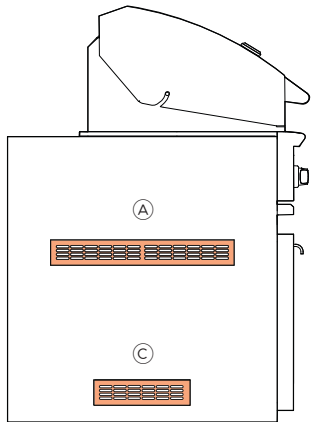
INDICATES CABINETRY / PRODUCT DATUM -----
 INDICATES CABINETRY CLEARANCES - - - - -

IMPORTANT NOTE: Throughout this guide, dimensions may vary by ±2mm (1/16"). Please read the Installation Guide for detailed information on installing the product. For full installation instructions visit dcsappliances.com

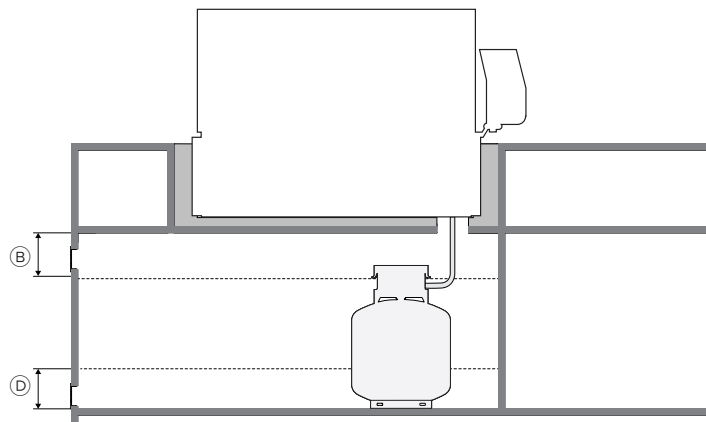
SPECIFICATIONS | VENTILATION REQUIREMENTS FOR LP CYLINDER ENCLOSURES



SECTION VIEW
MULTIPLE TANKS



SIDE VIEW



SECTION SINGLE
TANK

LP cylinder storage *ventilation requirements:

Ventilation Dimensions

(A) Upper ventilation min free area** (1"² per lb)	20"²(20lb cylinder)	129cm²
(B) Upper ventilation openings must be installed within 5" (127mm) of the top of the enclosure and unobstructed.	5"	127mm
(C) Lower ventilation min free area** (1/2"²per lb)	10"² (20lb cylinder)	64.5cm²
(D) Lower ventilation openings must be installed within 5" (127mm) of the bottom of the enclosure and unobstructed.	5"	127mm

*Refer to ANSI Z21.58 Standard for Outdoor Cooking Gas Appliances, Section 4.6.2 Enclosures For Self Contained LP-Gas Supply Systems. Both upper and lower ventilation openings are required.

**Free area is the area within an opening unobstructed by grills or dampers when in operation. Every opening must be wide enough to fit a 3/16" (4.8mm) rod.

Note: At least one ventilation opening shall be provided on the exposed exterior side of the enclosure located within 5" (127mm) of the top of the enclosure and unobstructed. The opening(s) shall have a total free area of not less than 1"²/lb (14.2cm²/kg) of stored fuel capacity.

At least one ventilation opening shall be provided on the exposed exterior side of the enclosure 1" (25.4mm) or less from the floor level and shall have a total free area of not less than 1/2"²/lb (7.1cm²/kg) of stored fuel capacity. The upper edge shall be no more than 5" (127mm) above the floor level.

Every opening shall have a minimum dimension so as to permit the entrance of a 3/16" (4.8mm) rod.

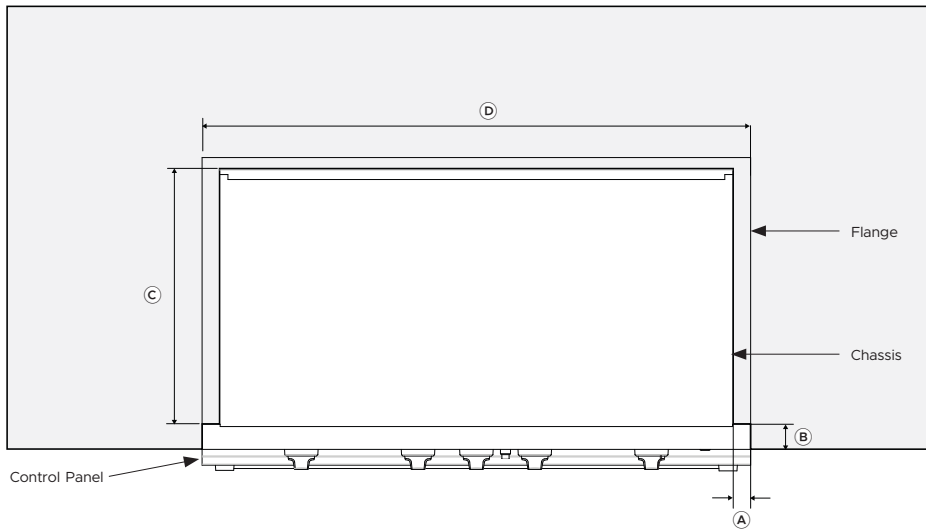
Do not install under unprotected combustible or protected combustible construction without using a fire safe ventilation system As per UL 507 and CSA C22.2 No 60335-2-31.

INDICATES CABINETRY / PRODUCT DATUM
INDICATES CABINETRY CLEARANCES - - - - -

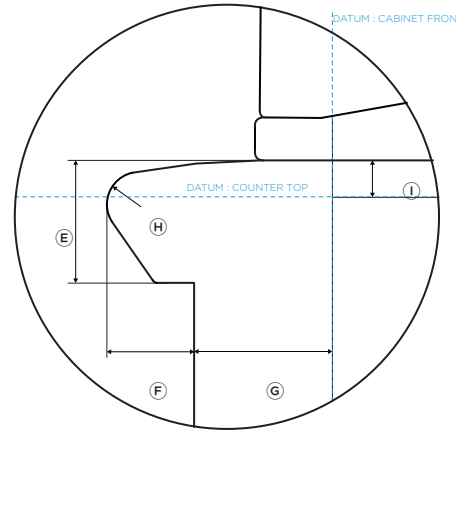
IMPORTANT NOTE: Throughout this guide, dimensions may vary by ±2mm (1/16"). Please read the Installation Guide for detailed information on installing the product. For full installation instructions visit dcsappliances.com

SPECIFICATIONS | BULL-NOSE EDGING DETAILS

Counter-tops with bull-nose edging or overhang require notching around the control panel of your grill or specialty cooking product. Ensure proper customization for a seamless fit.



PLAN VIEW



DETAIL VIEW - GRILL BULL-NOSE

Bull-nose Dimensions

Non-combustible counter-top notch dimensions		inch	mm
A Counter-top control panel notch			
Grills BE1-48RCI, BE1-36RCI, BE1-48RC, BE1-36RC, BE1-48C, BE1-36C	1 1/2		38.6
Griddle GDE1-30, Griddle/Side burner GDSBE1-302	1 1/16		27.5
All Grill BE1-30AG	11/16		17.9
Power Burner PBE1-24	3/4		19.3
Double Side Burner SBE1-24	1 13/32		36
B Counter-top overhang dimensions vary according to counter-top design			
C See Cabinet Specifications pages for your product dimensions			
D See Cabinet Specifications pages for your product dimensions			

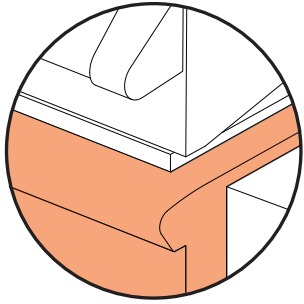
Grill & specialty cooking bull-nose and control panel dimensions

E Bull-nose height	1 9/16	40
F Bull-nose to control panel	1 7/16	36
G Control panel to cabinet front		
Grills BE1-48RCI, BE1-36RCI, BE1-48R, BE1-36R, BE1-48C, BE1-36C	2 3/16	55.6
Griddle GDE1-30	2	51
Griddle/Side burner GDSBE1-302	2	51
All Grill BE1-30AG	2	51
Power Burner PBE1-24	2	51
Double Side Burner SBE1-24	2 1/8	55
H Bull-nose diameter	1	25.4
I Flange height	9/16	14

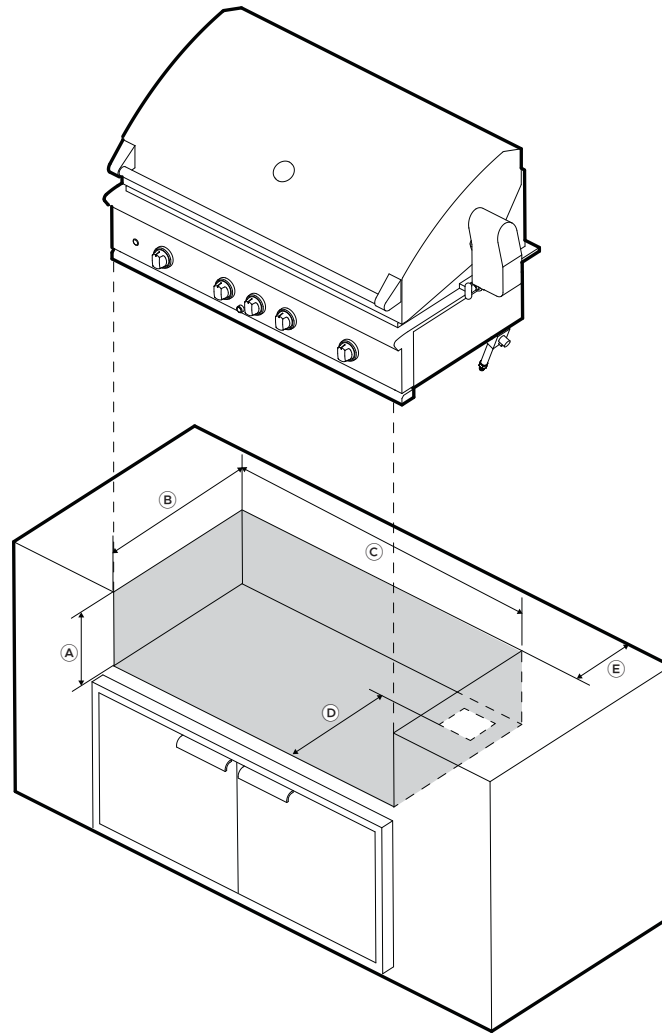
INDICATES CABINETRY / PRODUCT DATUM
 INDICATES CABINETRY CLEARANCES - - - - -

IMPORTANT NOTE: Throughout this guide, dimensions may vary by ±2mm (1/16"). Please read the Installation Guide for detailed information on installing the product. For full installation instructions visit dcsappliances.com

GRILL CABINET SPECIFICATIONS



NON-COMBUSTIBLE CABINET



ISO VIEW

Model no:

48" Grills - BE1-48RCI, BE1-48RD, BE1-48C

Product Dimensions

Non-combustible cabinetry	inch	mm
A) Cavity height	10 1/8	257
B) Cavity depth	22 3/4	578
C) Cavity width	45 3/4	1162
D) Depth to gas supply opening	18 1/2	470
E) Minimum hood swing clearance	min 3 3/4	min 95

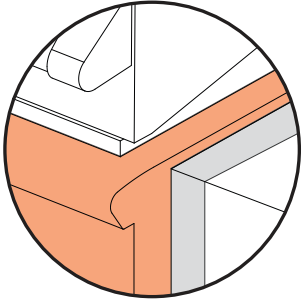
Model no:

36" Grills - BE1-36RCI, BE1-36RC, BE1-36C

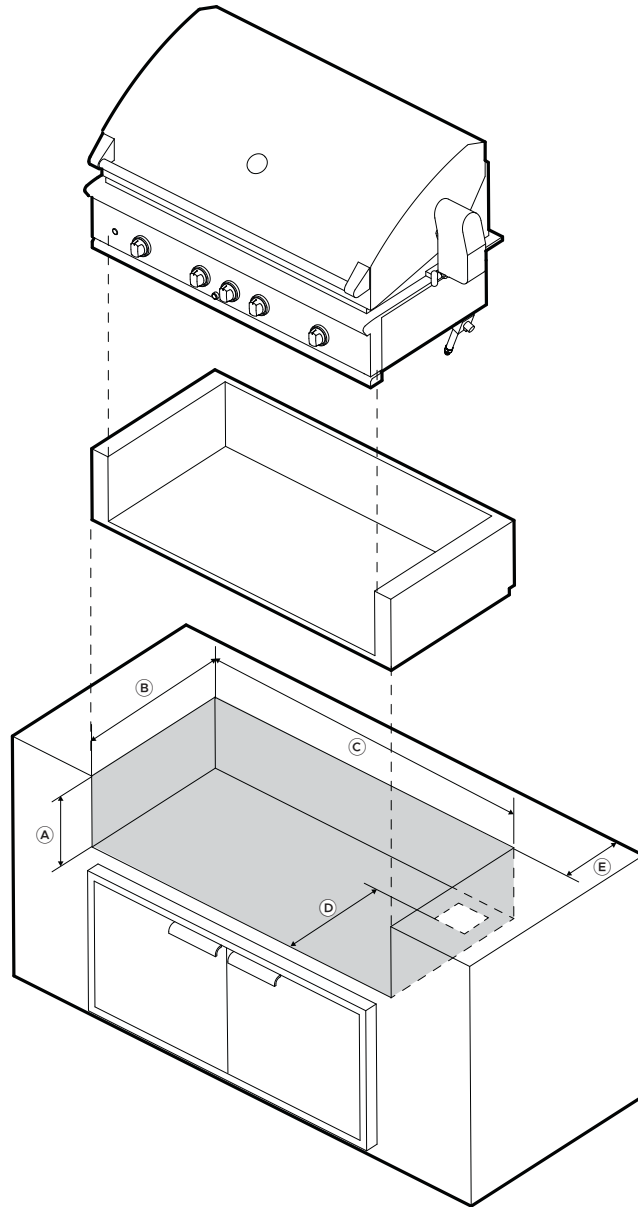
Non-combustible cabinetry	inch	mm
A) Cavity height	10 1/8	257
B) Cavity depth	22 3/4	578
C) Cavity width	34 1/2	876
D) Depth to gas supply opening	18 1/2	470
E) Minimum hood swing clearance	min 3 3/4	min 95

INDICATES CABINETRY / PRODUCT DATUM -----
 INDICATES CABINETRY CLEARANCES - - - - -

IMPORTANT NOTE: Throughout this guide, dimensions may vary by ±2mm (1/16"). Please read the Installation Guide for detailed information on installing the product. For full installation instructions visit dcsappliances.com



COMBUSTIBLE CABINET WITH INSULATION JACKET



ISO VIEW

Model no:

48" Grills - BE1-48RCI, BE1-48RC, BE1-48C

Product Dimensions

Combustible cabinetry with insulation jacket	inch	mm
(A) Cavity height	11 1/8	283
(B) Cavity depth	23 3/4	603
(C) Cavity width	51 7/8	1318
(D) Depth to gas supply opening	18 1/2	470
(E) Minimum hood swing clearance	min 3	min 76

Model no:

36" Grills - BE1-36RCI, BE1-36RC, BE1-36C

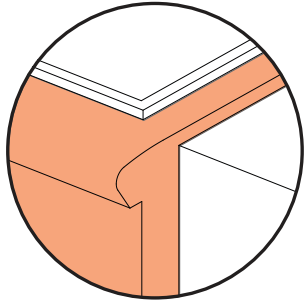
Combustible cabinetry with insulation jacket	inch	mm
(A) Cavity height	11 1/8	283
(B) Cavity depth	23 3/4	603
(C) Cavity width	40 1/2	1029
(D) Depth to gas supply opening	18 1/2	470
(E) Minimum hood swing clearance	min 2 27/32	min 72

INDICATES CABINETRY / PRODUCT DATUM
 INDICATES CABINETRY CLEARANCES - - - - -

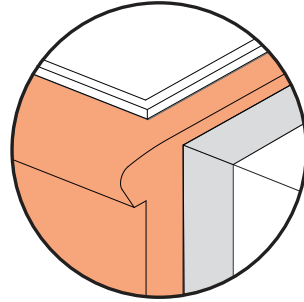
IMPORTANT NOTE: Throughout this guide, dimensions may vary by ±2mm (1/16"). Please read the Installation Guide for detailed information on installing the product. For full installation instructions visit dcsappliances.com

SPECIALTY COOKING CABINET SPECIFICATIONS

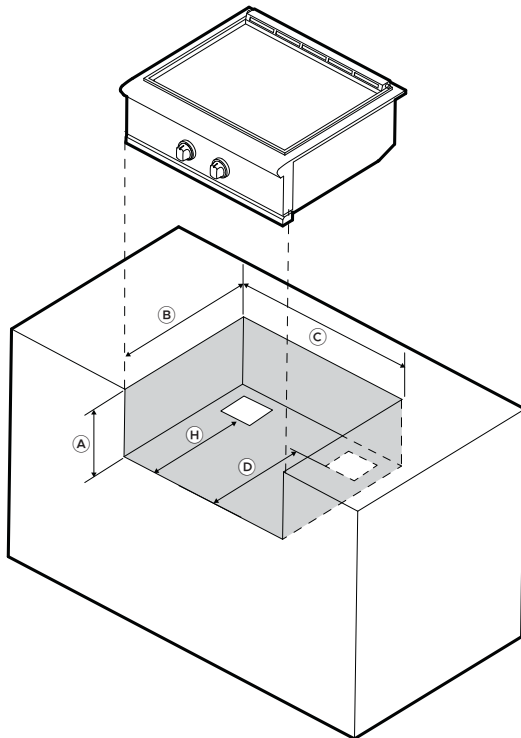
SPECIFICATIONS | SPECIALTY COOKING INSTALLATION



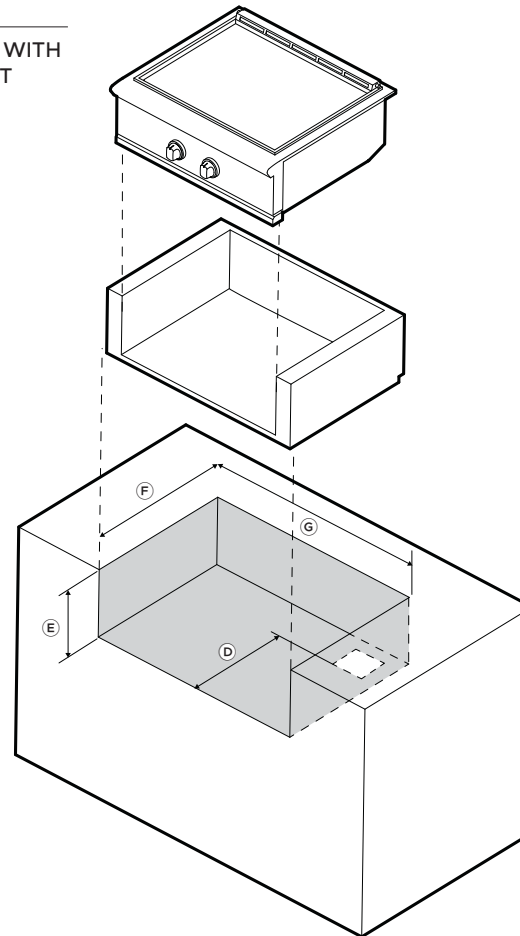
NON-COMBUSTIBLE CABINET



COMBUSTIBLE CABINET WITH INSULATION JACKET



ISO VIEW



ISO VIEW

Model no:

30" Specialty Cooking - GDE1-30, GDSBE1-302, BE1-30AG

Product Dimensions

Non-combustible cabinetry	inch	mm
(A) Cavity height	10 1/8	257
(B) Cavity depth	22 3/4	578
(C) Cavity width	28 1/2	724
(D) Depth to gas supply opening (right)	18 1/2	470

Combustible cabinet with insulation jacket	inch	mm
(E) Cavity height	11 1/8	283
(F) Cavity depth	23 3/4	603
(G) Cavity width	34 7/8	886

Model no:

24" Specialty Cooking - PBE1-24

Non-combustible cabinetry	inch	mm
(A) Cavity height	10 1/8	257
(B) Cavity depth	22 3/4	578
(C) Cavity width	22 1/2	572
(D) Depth to gas supply opening (right)	18 1/2	470

Combustible cabinet with insulation jacket	inch	mm
(E) Cavity height	11 1/8	283
(F) Cavity depth	23 3/4	603
(G) Cavity width	28 7/8	734

Model no:

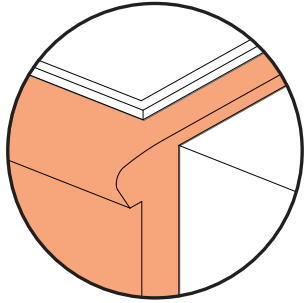
14" Specialty Cooking - SBE1-142

Non-combustible cabinetry	inch	mm
(A) Cavity height	10 1/8	257
(B) Cavity depth	22 3/4	578
(C) Cavity width	12 1/8	308
(H) Depth to gas supply opening (left)	18 1/2	470

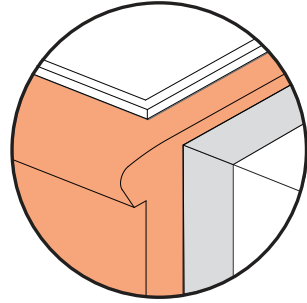
INDICATES CABINETS / PRODUCT DATUM -----
 INDICATES CABINETS CLEARANCES - - - - -

IMPORTANT NOTE: Throughout this guide, dimensions may vary by ±2mm (1/16"). Please read the Installation Guide for detailed information on installing the product. For full installation instructions visit dcsappliances.com

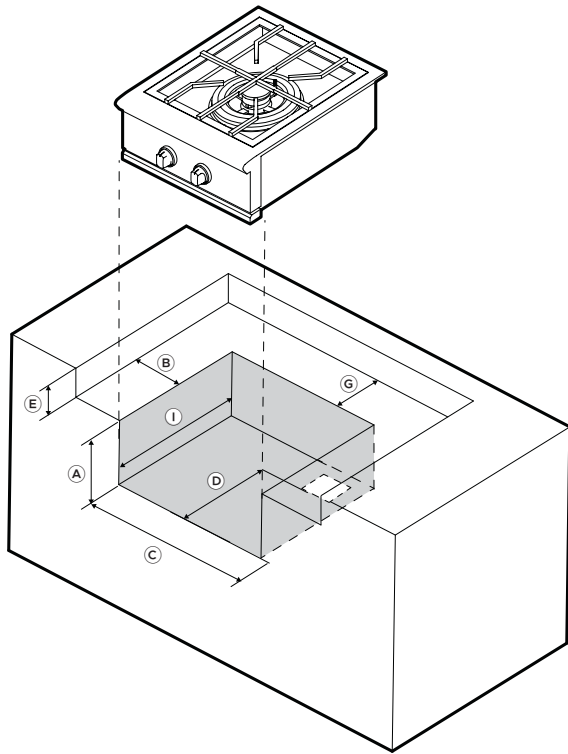
SPECIFICATIONS | 24" POWER BURNER - RECESSED CAVITY INSTALLATION



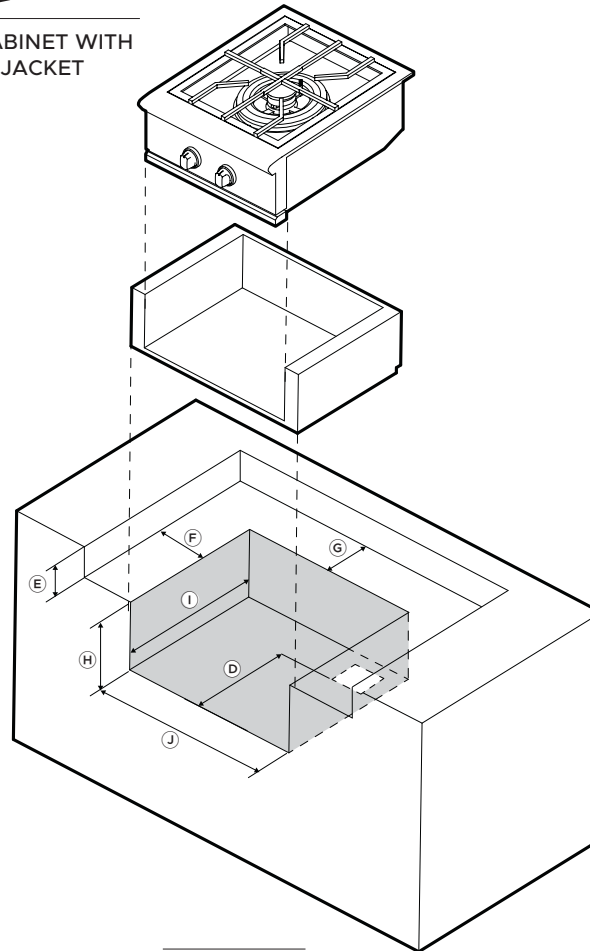
NON-COMBUSTIBLE CABINET



COMBUSTIBLE CABINET WITH INSULATION JACKET



ISO VIEW



ISO VIEW

Model no:

24" Specialty Cooking - PBE1-24

Product Dimensions

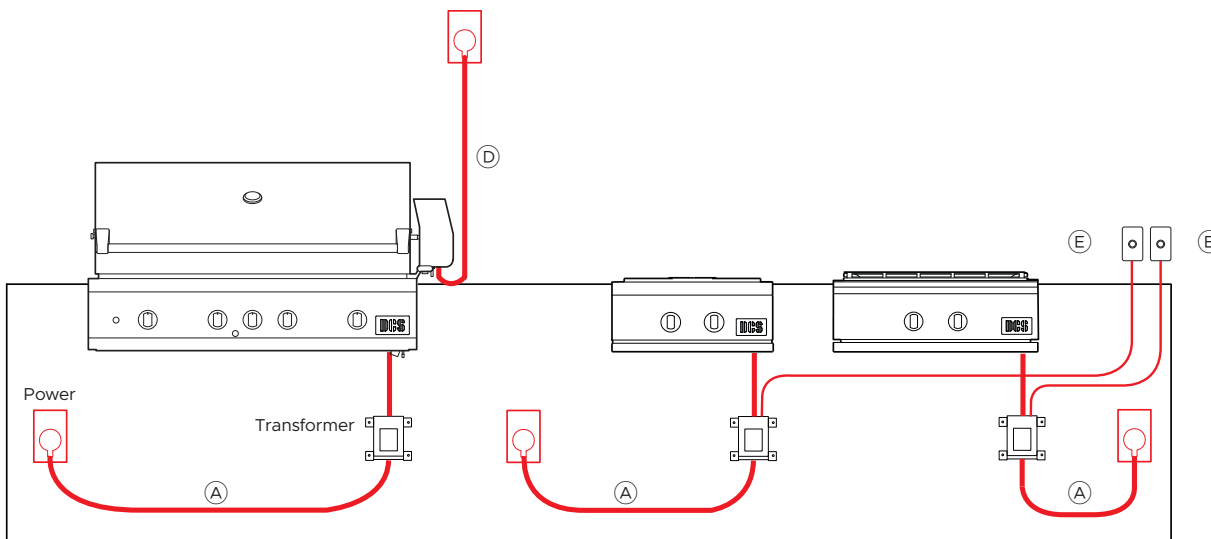
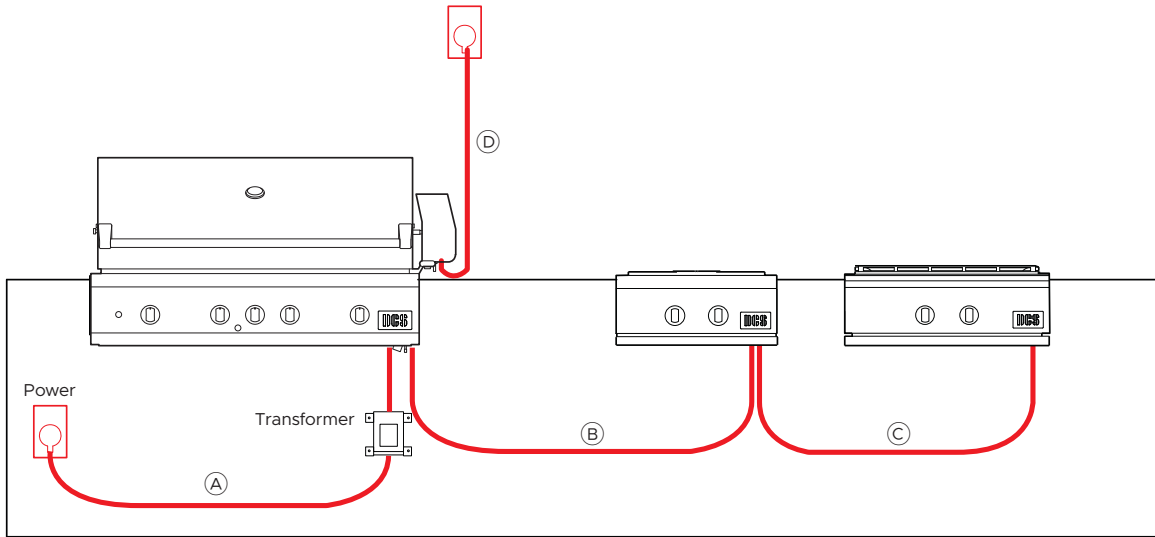
Non-combustible cabinetry	inch	mm
Ⓐ Cavity height	10 1/8	257
Ⓑ Cavity depth	22 3/4	578
Ⓒ Cavity width	22 1/2	572
Ⓓ Depth to gas supply opening	18 1/2	470
Ⓔ Height of counter-top recess	6-12	152-305
Ⓕ Minimum distance to recess sides	6	152
Ⓖ Minimum distance to recess back	3	76

Combustible cabinet with insulation jacket	inch	mm
Ⓓ Depth to gas supply opening	18 1/2	470
Ⓔ Height of counter-top recess	6-12	152-305
Ⓕ Minimum distance to recess sides	6	152
Ⓖ Minimum distance to recess back	3	76
Ⓕ Cavity height	11 1/8	283
Ⓖ Cavity depth	23 3/4	603
Ⓖ Cavity width	28 7/8	734

INDICATES CABINETRY / PRODUCT DATUM -----
 INDICATES CABINETRY CLEARANCES - - - - -

IMPORTANT NOTE: Throughout this guide, dimensions may vary by ±2mm (1/16"). Please read the Installation Guide for detailed information on installing the product. For full installation instructions visit dcsappliances.com

SERVICES



Maximum Distance of Cords

Model Numbers:

Grills - BE1-48RC1, BE1-36RC1, BE1-48RC, BE1-36RC
 Specialty cooking - GDE1-30, GDSBE1-302, BE1-30AG, PBE1-24, SBE1-142
 Interconnectivity connector cables - BGA-4PC, BGA-6PC
 External lighting power button - BGA-LB DCS

Product Dimensions	inch	mm
(A) Maximum power cord length from transformer	63	1600
(B) 4ft Extension cable (BGA-4PC) length	48	1200
(C) 6ft Extension cable (BGA-6PC) length	72	1800
(D) Maximum rotisserie power cord length transformer	31 1/2	800
(E) External lighting power button can be used with 4ft & 6ft extension cables		

Specifications

Electrical

Supply	120V 60Hz
Service	13-15A

Note: Use only a Ground Fault Interrupter (GFI) protected circuit with these products. An outdoor 120VAC 15A GFI electrical outlet must be installed by a qualified electrician.

IMPORTANT NOTE: Throughout this guide, dimensions may vary by ±2mm (1/16"). Please read the Installation Guide for detailed information on installing the product. For full installation instructions visit dcsappliances.com

