

60CM MINIMAL OVENS AND COMPANIONS

PLANNING GUIDE

SERIES 7 PYROLYTIC OVEN | OB60SAMPTB5

SERIES 7 COMPACT COMBI-STEAM OVEN | OS60NAMVTB5

SERIES 7 COMPACT COMBI-MICROWAVE OVEN | OM60NMTB5

SERIES 9 BUILT-IN COFFEE MAKER | EB60MSB3

SERIES 9 TALL WARMING DRAWER | WB60SMTB3

SERIES 9 INTEGRATED TALL WARMING DRAWER | WB60SDTEI3

SERIES 9 WARMING DRAWER | WB60SMB3

SERIES 9 INTEGRATED WARMING DRAWER | WB60SDEI3

SERIES 9 VACUUM SEAL DRAWER | VB60SMB3

SERIES 9 INTEGRATED VACUUM SEAL DRAWER | VB60SDEI3

CONTENTS | 60CM OVENS AND COMPANIONS

INTRODUCTION

This comprehensive planning guide provides you with the framework and tools to achieve your desired design outcome with Fisher & Paykel appliances. In this guide, you will find a range of conceptual, detailed, and dimensional product information to bring your ideas to life and create spaces that truly reflect your vision.

SUPPORT

For additional design planning and installation support please contact the Fisher & Paykel design support team.
designsupport@fisherpaykel.com

NOTES

The models shown in this Planning Guide may not be available in all markets and are subject to change at any time. Refer to our website fisherpaykel.com for the latest document version. Product specifications may vary from those shown.
 This Planning Guide should not be used as installation guidance for any product. Specific installation guidance will be available with the product on delivery and on our website.

| CONCEPT DESIGN | PAGE | DEVELOPED AND DETAILED DESIGN | PAGE | DEVELOPED AND DETAILED DESIGN | PAGE |
|--|------|--------------------------------|------|---------------------------------|------|
| DESIGN CHOICE | | DATA SHEETS | | PLANNING CONSIDERATIONS | |
| Styles | 4 | Pyrolytic Oven | 23 | Cabinetry Preparation | 34 |
| Minimal Style | 5 | Compact Combi-Steam Oven | 24 | Ventilation | 35 |
| Installation Options | 6 | Compact Combi-Microwave Oven | 25 | Stack Height | 36 |
| Overview | 7 | Built-in Coffee Maker | 26 | SERVICES | |
| SPECIFICATION GUIDE | | Tall Warming Drawer | 27 | Power Connection and Electrical | 38 |
| Pyrolytic Oven | 9 | Integrated Tall Warming Drawer | 28 | | |
| Compact Combi-Steam Oven | 10 | Warming Drawer | 29 | | |
| Compact Combi-Microwave Oven | 11 | Integrated Warming Drawer | 30 | | |
| Built-in Coffee Maker | 12 | Vacuum Seal Drawer | 31 | | |
| Tall Warming Drawer | 13 | Integrated Vacuum Seal Drawer | 32 | | |
| Integrated Tall Warming Drawer | 14 | | | | |
| Warming Drawer | 15 | | | | |
| Integrated Warming Drawer | 16 | | | | |
| Vacuum Seal Drawer | 17 | | | | |
| Integrated Vacuum Seal Drawer | 18 | | | | |
| Dimensions - Ovens and Built-in Coffee maker | 19 | | | | |
| Dimensions - Drawers | 20 | | | | |
| Services | 21 | | | | |

DESIGN CHOICE



MINIMAL STYLE - HANDLELESS

MINIMAL STYLE

CONTEMPORARY STYLE

Celebrating a singular aesthetic to blend seamlessly into the kitchen, Minimal style ovens feature subtle textural and tonal contrasts for a sense of refinement and purity.

Defined by clean lines and timeless design cues, Contemporary style ovens bring a sense of balance and refinement. A versatile aesthetic that complements a range of kitchen styles.

This Planning Guide is for the Minimal Style featuring 60cm Ovens and Companions. For information on other styles, please visit the Fisher and Paykel website. To see what models are available, head to the 'Overview' section in this Planning Guide.

The models shown in this Planning Guide may not be available in all markets and are subject to change at any time. Product specifications may vary from those shown. This Planning Guide should not be used as installation guidance for any product. Further information is required to safely and correctly install the products featured here. Specific installation guidance will be available with the product on delivery and on our website fisherpaykel.com

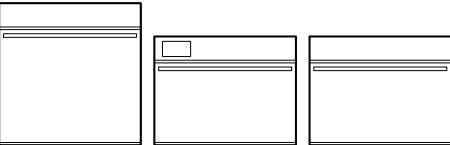
FINISH



Black

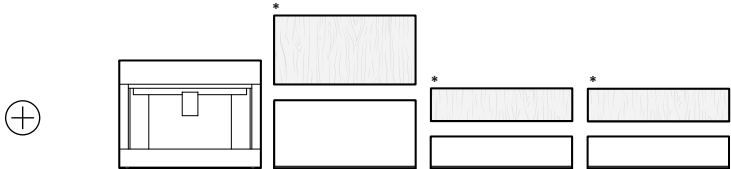
OVENS

- PYROLYTIC
- COMBI-STEAM
- COMBI-MICROWAVE



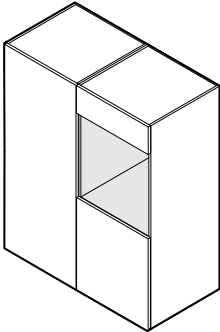
COMPANIONS

- BUILT-IN COFFEE MAKER
- TALL WARMING DRAWER
- WARMING DRAWER
- VACUUM SEAL DRAWER

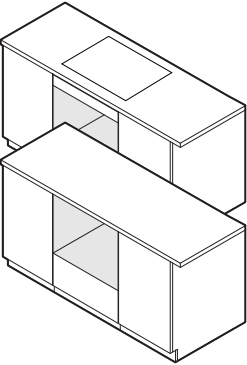


*Integrated model, panel ready for a custom front panel.

INSTALLATION OPTIONS



Installation in wall



Installation under-bench

The models shown in this Planning Guide may not be available in all markets and are subject to change at any time. Product specifications may vary from those shown. This Planning Guide should not be used as installation guidance for any product. Further information is required to safely and correctly install the products featured here. Specific installation guidance will be available with the product on delivery and on our website fisherpaykel.com

CONSIDERATIONS

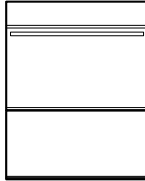
Different configurations possible, consider heights for grid and row installations.

STACK HEIGHT

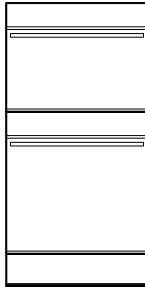
Stack Height is overall product height with minimum clearance above appliance front panel to upper cabinetry front panel or appliance.

STACKED INSTALLATION

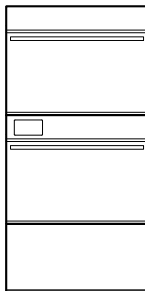
Stack Height
750mm



Stack Height
1200mm

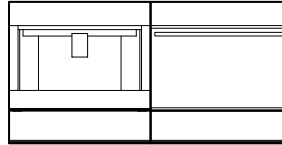


Stack Height
1210mm

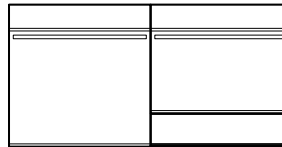


GRID INSTALLATION

Stack Height
600mm

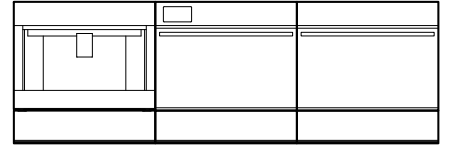


Stack Height
600mm

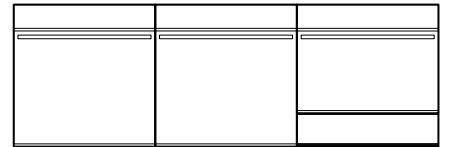


ROW INSTALLATION

Stack Height
600mm



Stack Height
600mm



The models shown in this Planning Guide may not be available in all markets and are subject to change at any time. Product specifications may vary from those shown. This Planning Guide should not be used as installation guidance for any product. Further information is required to safely and correctly install the products featured here. Specific installation guidance will be available with the product on delivery and on our website fisherpaykel.com

| | FRONT ELEVATION | | | | SIDE ELEVATION | | |
|-------------------------------------|-----------------------|---------------------------------|-------------------------------------|------------------------|----------------------------|-----------------------|---------------------------|
| | | | | | | | |
| | | | | | | | |
| | | | | | | | |
| | PYROLYTIC OVEN | COMPACT COMBI-STEAM OVEN | COMPACT COMBI-MICROWAVE OVEN | BUILT-IN COFFEE | TALL WARMING DRAWER | WARMING DRAWER | VACUUM SEAL DRAWER |
| Series | Series 7 | Series 7 | Series 7 | Series 9 | Series 9 | Series 9 | Series 9 |
| Black | OB60SAMPTB5 | OS60NAMVTB5 | OM60NMTB5 | EB60MSB3 | WB60SMTB3 | WB60SMB3 | VB60SMB3 |
| Integrated Models | - | - | - | - | WB60SDTEI3 | WB60SDEI3 | VB60SDEI3 |
| Interface | 5" Touchscreen | 5" Touchscreen | 5" Touchscreen | 4.3" Touchscreen | - | - | - |
| Overall Height | 598mm | 458mm | 458mm | 458mm | 290mm | 140mm | 140mm |
| Overall Width | 596mm | 596mm | 596mm | 596mm | 596mm | 596mm | 596mm |
| Control Panel/Front Panel Thickness | 20mm | 20mm | 20mm | 20mm | 20mm | 20mm | 20mm |

*Integrated models available.

The models shown in this Planning Guide may not be available in all markets and are subject to change at any time. Product specifications may vary from those shown. This Planning Guide should not be used as installation guidance for any product. Further information is required to safely and correctly install the products featured here. Specific installation guidance will be available with the product on delivery and on our website fisherpaykel.com

SPECIFICATION GUIDE

SERIES 7 & 9



OVERVIEW

Designed to complement Minimal style appliances, this oven delivers a seamless, flush finish – ideal for modern kitchen designs. The pyrolytic self-cleaning function breaks down food residue for an easy clean, while precise cooking methods with temperature and heat type recommendations for a wide range of food types are easily accessed via the touch screen and SmarthQ™.

PRODUCTS

OB60SAMPTB5 - Black
60cm Series 7 Minimal Pyrolytic Oven

SERIES & STYLE

Series 7
Minimal

ACCESSORIES

- 1 Pyro-proof Side Ladders
- 2 Telescopic Sliding Runners
- 3 Wire Shelf (x2)
- 4 Multi-functional Air Fry Tray

FEATURES

- 1 Minimal style is designed to fit flush with cabinetry. Matches our Minimal style family of appliances
- 2 Self-cleaning pyrolytic function breaks down food residue for an easy clean
- 3 Premium soft open and close door
- 4 Generous 72L useable capacity
- 5 5" touchscreen is intuitive and easy to use
- 6 Create perfect results with precise cooking methods, with temperature and heat type recommendations for your food type
- 7 Moisture control and even heat distribution thanks to ActiveVent™ and AeroTech™ technology
- 8 Includes a wired temperature sensor for real-time monitoring of cooking temperatures
- 9 Connected capability via the SmarthQ™ app gives control & visibility from anywhere at anytime

ACCESSORIES

- 5 Roasting Dish
- 6 Flat Brushed Baking Tray
- 7 Wired Temperature Sensor



The models shown in this Planning Guide may not be available in all markets and are subject to change at any time. Product specifications may vary from those shown. This Planning Guide should not be used as installation guidance for any product. Further information is required to safely and correctly install the products featured here. Specific installation guidance will be available with the product on delivery and on our website fisherpaykel.com



OVERVIEW

Designed to complement Minimal style appliances, this Combi-Steam oven delivers a seamless, flush finish – ideal for modern kitchen designs. With versatile cooking options including steam or convection, plus a Steam Clean function for easy maintenance. Precise cooking methods with temperature and heat type recommendations for a wide range of food types are easily accessed via the touch screen and SmarthQ™.

PRODUCTS

OS60NAMVTB5 - Black
60cm Series 7 Minimal Compact Combi-Steam Oven

SERIES & STYLE

Series 7
Minimal

ACCESSORIES

- 1 Chrome Side Ladders
- 2 Telescopic Sliding Runners
- 3 Wire Shelf (x2)
- 4 Multi-functional Air Fry Tray
- 5 Roasting Dish

FEATURES

- 1 Minimal style is designed to fit flush with cabinetry. Matches our Minimal style family of appliances
- 2 Versatile cooking options with steam or convection heat for optimal results
- 3 Premium soft open and close door
- 4 Compact 45L useable capacity
- 5 5" touchscreen is intuitive and easy to use
- 6 Create perfect results with precise cooking methods, with temperature and heat type recommendations for your food type
- 7 Moisture control and even heat distribution thanks to ActiveVent™ and AeroTech™ technology
- 8 Includes a wired temperature sensor for real-time monitoring of cooking temperatures
- 9 Connected capability via the SmarthQ™ app gives control & visibility from anywhere at anytime



ACCESSORIES

- 6 Large Perforated Steam Dish
- 7 Large Steam Dish
- 8 Wired Temperature Sensor
- 9 Descale Solution x2 sachets (Part 580295)

The models shown in this Planning Guide may not be available in all markets and are subject to change at any time. Product specifications may vary from those shown. This Planning Guide should not be used as installation guidance for any product. Further information is required to safely and correctly install the products featured here. Specific installation guidance will be available with the product on delivery and on our website fisherpaykel.com

**OVERVIEW**

Designed to complement Minimal style appliances, this Combi-Microwave oven delivers a seamless, flush finish – ideal for modern kitchen designs. Versatile cooking options including microwave or convection offer efficient heating across a variety of dishes. Precise cooking methods with temperature and heat type recommendations for a wide range of food types are easily accessed via the touch screen and SmarthQ™.

PRODUCTS

OM60NMTB5 - Black
60cm Series 7 Minimal Compact Combi-Microwave Oven

SERIES & STYLE

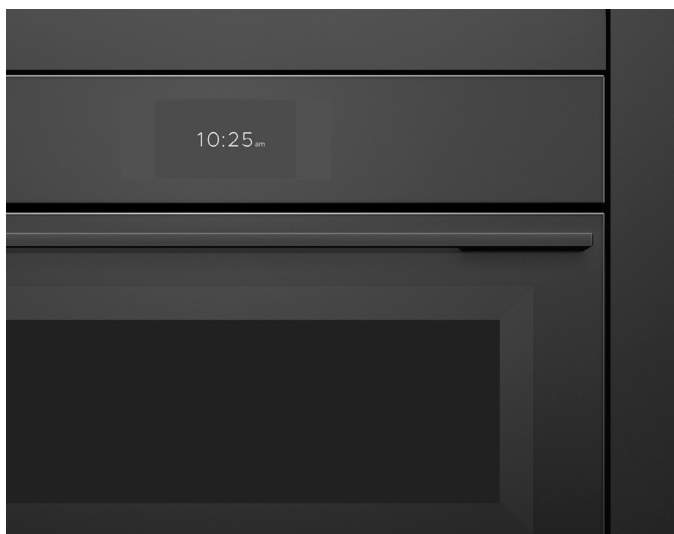
Series 7
Minimal

FEATURES

- 1 Minimal style is designed to fit flush with cabinetry. Matches our Minimal style family of appliances
- 2 Combines fast microwave cooking with even convection heat for versatile, efficient heating across a variety of dishes
- 3 With soft open and close, the CoolTouch door is safe to touch from the outside - protecting hands and surrounding cabinetry
- 4 Compact 38L useable capacity
- 5 5" touchscreen is intuitive and easy to use
- 6 Create perfect results with precise cooking methods, with temperature and heat type recommendations for your food type
- 7 Versatile microwave only, convection only or combi-microwave functions to suit a range of cooking styles
- 8 Includes a wired temperature sensor for real-time monitoring of cooking temperatures
- 9 Connected capability via the SmarthQ™ app gives control & visibility from anywhere at anytime

ACCESSORIES

- 1 Chrome Side Ladders
- 2 Wire Shelf
- 3 Step Down Wire Shelf
- 4 Glass Tray
- 5 Grill Rack
- 6 Wired Temperature Sensor



The models shown in this Planning Guide may not be available in all markets and are subject to change at any time. Product specifications may vary from those shown. This Planning Guide should not be used as installation guidance for any product. Further information is required to safely and correctly install the products featured here. Specific installation guidance will be available with the product on delivery and on our website fisherpaykel.com



OVERVIEW

Designed to complement Minimal style appliances, this Coffee Maker delivers a seamless, flush finish – ideal for modern kitchen designs. It learns your preferences over time, offering personalised coffee at the touch of a button. With precise grinding, creamy milk frothing, and effortless self-cleaning, it brings barista-quality coffee home.

PRODUCTS

EB60MSB3 - Black
60cm Series 9 Minimal Built-in Coffee Maker



SERIES & STYLE

Series 9
Minimal

FEATURES

- 1 Minimal style is designed to fit flush with cabinetry. Matches our Minimal style family of appliances
- 2 Intuitive touch display brews a perfect cup of coffee at the touch of a button
- 3 Programmable timer turns on the Coffee Maker at the ideal time each day
- 4 Personalised coffee and smart self-learning menu preferences with 13 functions to suit any taste
- 5 Allows you to prepare hot milk or creamy froth in seconds
- 6 Stainless steel conical burr grinder with 13 coarseness positions
- 7 15 bar pump pressure
- 8 Self-cleaning function and easy-to-empty coffee grounds container and drip tray
- 9 2.4L water tank capacity

ACCESSORIES

- 1 Milk Container (Auto-Froth)
- 2 Steam Wand
- 3 Coffee Spoon
- 4 Cleaning Brush
- 5 Descaler Solution – 1 bottle
- 6 Water Hardness Indicator Paper
- 7 Water Filter

The models shown in this Planning Guide may not be available in all markets and are subject to change at any time. Product specifications may vary from those shown. This Planning Guide should not be used as installation guidance for any product. Further information is required to safely and correctly install the products featured here. Specific installation guidance will be available with the product on delivery and on our website fisherpaykel.com



OVERVIEW

Designed to complement Minimal style appliances, this Warming Drawer delivers a seamless, flush finish – ideal for modern kitchen designs. Featuring a push-to-open mechanism, intuitive touch controls, and a smooth glass base for easy cleaning. With six tailored programmes and space for 16 place settings, it keeps meals ready to serve.

PRODUCTS

WB60SMTB3 - Black
60cm Series 9 Minimal Tall Warming Drawer

FEATURES

- 1 Minimal style is designed to fit flush with cabinetry. Matches our Minimal style family of appliances
- 2 Push-to-open drawer, designed for added convenience
- 3 Simple and intuitive touch controls for effortless operation
- 4 Easy-to-clean glass base
- 5 Automatic switch-off and delayed start functionality to help keep dishes warm until it is time to serve
- 6 Room for 16 standard-sized place settings
- 7 Six tailored programmes including Warming, Proofing, Dehydrating, and Slow Cooking offer convenience and flexibility



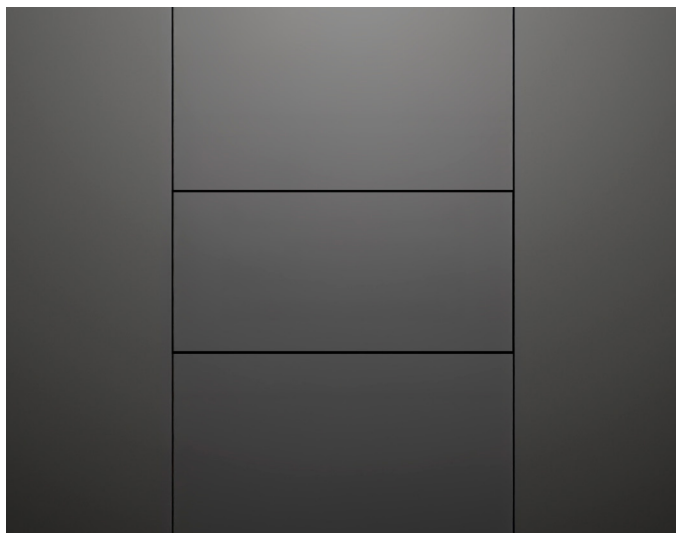
SERIES & STYLE

Series 9
Minimal

ACCESSORIES

- 1 Accessory rack for optimising space

The models shown in this Planning Guide may not be available in all markets and are subject to change at any time. Product specifications may vary from those shown. This Planning Guide should not be used as installation guidance for any product. Further information is required to safely and correctly install the products featured here. Specific installation guidance will be available with the product on delivery and on our website fisherpaykel.com



OVERVIEW

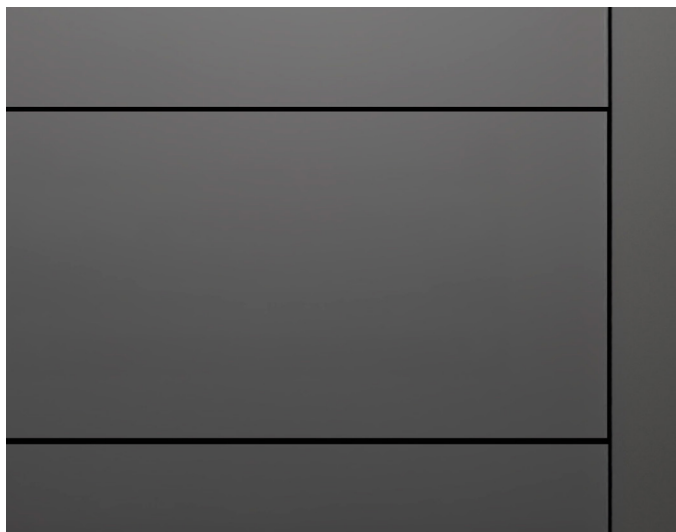
Panel ready design allows for seamless integration and customisation of this Warming Drawer with kitchen cabinetry for a cohesive kitchen look. Featuring a push-to-open mechanism, intuitive touch controls, and a smooth glass base for easy cleaning. With six tailored programmes and space for 16 place settings, it keeps meals ready to serve.

PRODUCTS

WB60SDTEI3
60cm Series 9 Integrated Tall Warming Drawer

FEATURES

- 1** Panel ready design allows for seamless integration and customisation with kitchen cabinetry for a cohesive kitchen look
- 2** Push-to-open drawer, designed for added convenience
- 3** Simple and intuitive touch controls for effortless operation
- 4** Easy-to-clean glass base
- 5** Automatic switch-off and delayed start functionality to help keep dishes warm until it is time to serve
- 6** Room for 16 standard-sized place settings
- 7** Six tailored programmes including Warming, Proofing, Dehydrating, and Slow Cooking offer convenience and flexibility



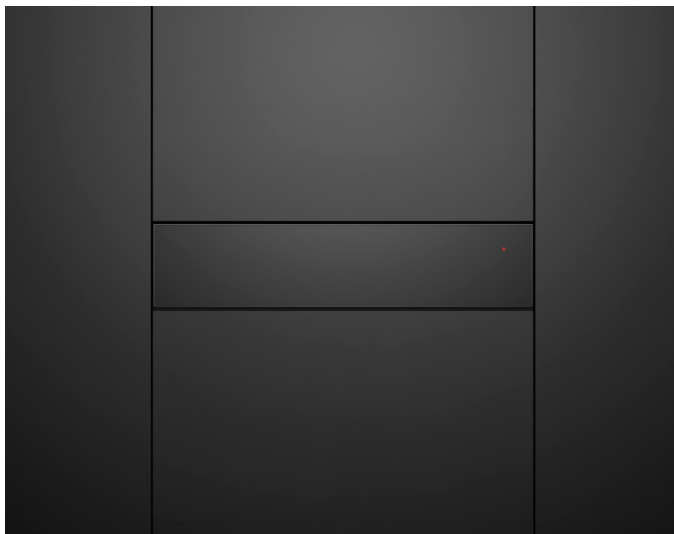
SERIES & STYLE

Series 9
Integrated

ACCESSORIES

- 1** Accessory rack for optimising space

The models shown in this Planning Guide may not be available in all markets and are subject to change at any time. Product specifications may vary from those shown. This Planning Guide should not be used as installation guidance for any product. Further information is required to safely and correctly install the products featured here. Specific installation guidance will be available with the product on delivery and on our website fisherpaykel.com

**OVERVIEW**

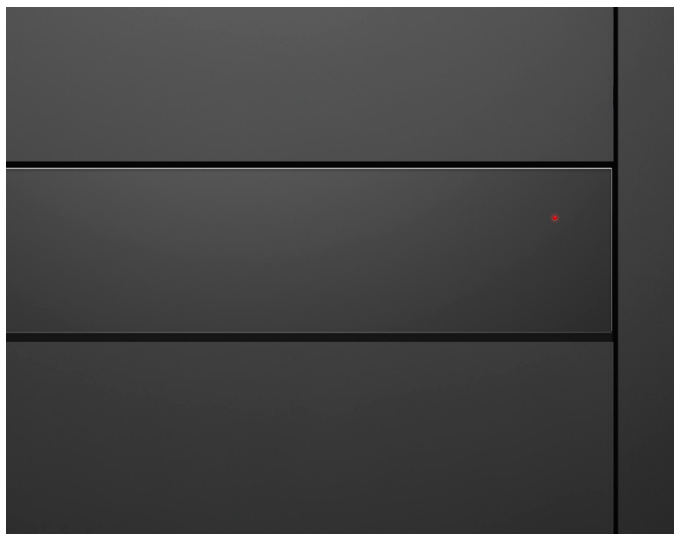
Designed to complement Minimal style appliances, this Warming Drawer delivers a seamless, flush finish – ideal for modern kitchen designs. Featuring a push-to-open mechanism, intuitive touch controls, and a smooth glass base for easy cleaning. With six tailored programmes and space for 6 place settings, it keeps meals ready to serve.

PRODUCTS

WB60SMB3 - Black
60cm Series 9 Minimal Warming Drawer

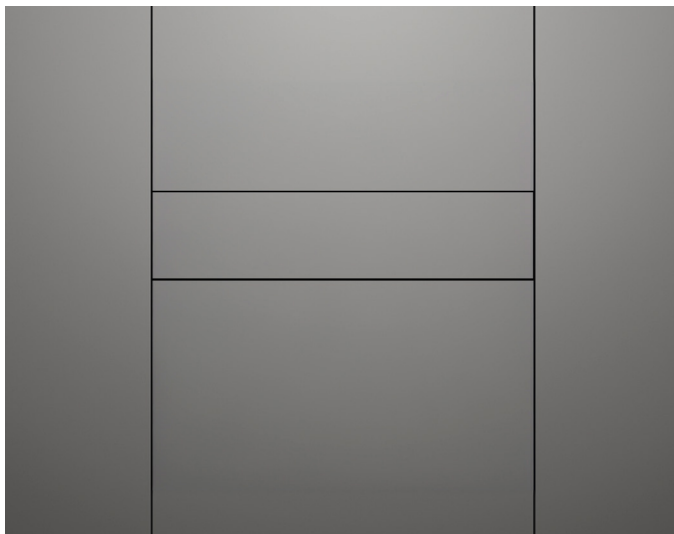
FEATURES

- 1** Minimal style is designed to fit flush with cabinetry. Matches our Minimal style family of appliances
- 2** Push-to-open drawer, designed for added convenience
- 3** Simple and intuitive touch controls for effortless operation
- 4** Easy-to-clean glass base
- 5** Automatic switch-off and delayed start functionality to help keep dishes warm until it is time to serve
- 6** Room for 6 standard-sized place settings
- 7** Six tailored programmes including Warming, Proofing, Dehydrating, and Slow Cooking offer convenience and flexibility

**SERIES & STYLE**

Series 9
Minimal

The models shown in this Planning Guide may not be available in all markets and are subject to change at any time. Product specifications may vary from those shown. This Planning Guide should not be used as installation guidance for any product. Further information is required to safely and correctly install the products featured here. Specific installation guidance will be available with the product on delivery and on our website fisherpaykel.com



OVERVIEW

Panel ready design allows for seamless integration and customisation of this Warming Drawer with kitchen cabinetry for a cohesive kitchen look. Featuring a push-to-open mechanism, intuitive touch controls, and a smooth glass base for easy cleaning. With six tailored programmes and space for 6 place settings, it keeps meals ready to serve.

PRODUCTS

WB60SDEI3
60cm Series 9 Integrated Warming Drawer

FEATURES

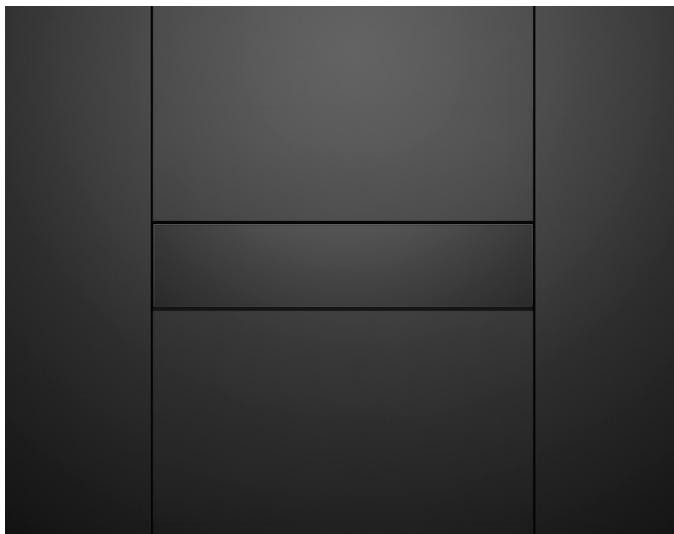
- 1** Panel ready design allows for seamless integration and customisation with kitchen cabinetry for a cohesive kitchen look
- 2** Push-to-open drawer, designed for added convenience
- 3** Simple and intuitive touch controls for effortless operation
- 4** Easy-to-clean glass base
- 5** Automatic switch-off and delayed start functionality to help keep dishes warm until it is time to serve
- 6** Room for 6 standard-sized place settings
- 7** Six tailored programmes including Warming, Proofing, Dehydrating, and Slow Cooking offer convenience and flexibility



SERIES & STYLE

Series 9
Integrated

The models shown in this Planning Guide may not be available in all markets and are subject to change at any time. Product specifications may vary from those shown. This Planning Guide should not be used as installation guidance for any product. Further information is required to safely and correctly install the products featured here. Specific installation guidance will be available with the product on delivery and on our website fisherpaykel.com



OVERVIEW

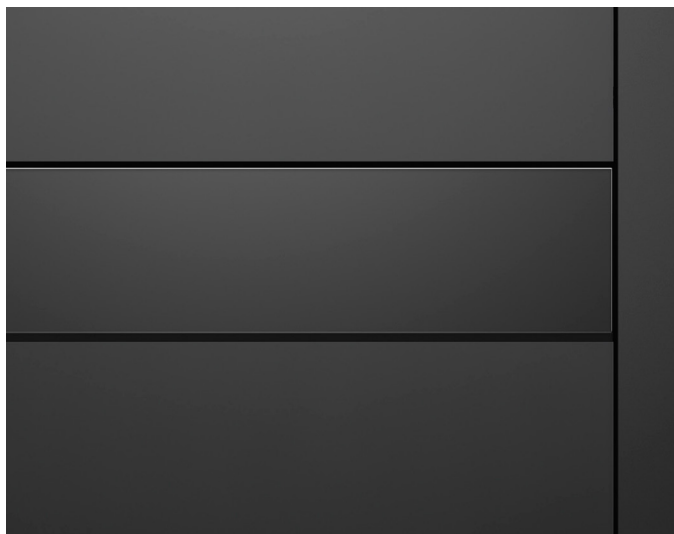
Designed to complement Minimal style appliances, this Vacuum Seal Drawer delivers a seamless, flush finish – ideal for modern kitchen designs. A push-to-open mechanism and intuitive touch controls offer effortless use, while three vacuum and heat sealing levels support sous vide preparation, marinating, and food storage, using reusable and BPA-free food-grade bags.

PRODUCTS

VB60SMB3 - Black
60cm Series 9 Minimal Vacuum Seal Drawer

FEATURES

- 1** Minimal style is designed to fit flush with cabinetry. Matches our Minimal style family of appliances
- 2** Push-to-open drawer, designed for added convenience
- 3** Simple and intuitive touch controls for effortless operation
- 4** Easy-to-clean glass base
- 5** Three levels of vacuum and heat sealing - for easy re-sealing, food portioning, marinating, storage and extending shelf life
- 6** Allows effortless preparation for sous vide cooking
- 7** Our food-grade, BPA-free bags are an excellent storage option – these can be re-used if sealed and cut appropriately



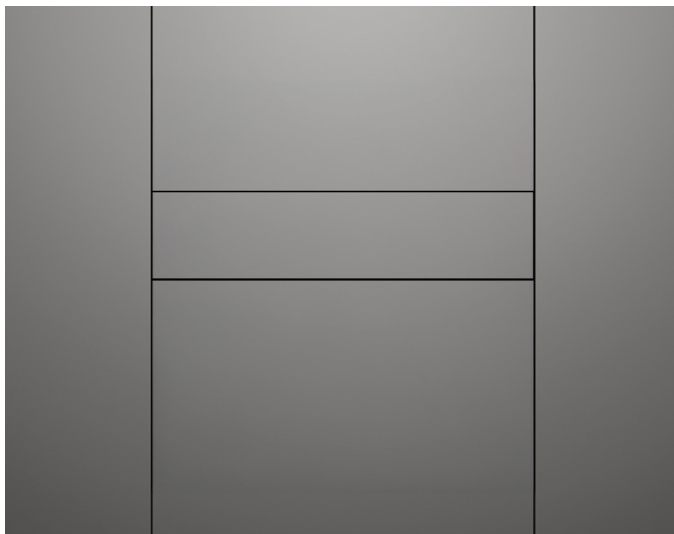
SERIES & STYLE

Series 9
Minimal

ACCESSORIES

- 1** External Vacuuming Accessory Kit
- 2** Large BPA-free Vacuum Seal Bags - 50 bags (Part 793034)
- 3** Small size BPA-free Vacuum Seal Bags - 50 bags (Part 793033)

The models shown in this Planning Guide may not be available in all markets and are subject to change at any time. Product specifications may vary from those shown. This Planning Guide should not be used as installation guidance for any product. Further information is required to safely and correctly install the products featured here. Specific installation guidance will be available with the product on delivery and on our website fisherpaykel.com



OVERVIEW

Panel ready design allows for seamless integration and customisation of this Vacuum Seal Drawer with kitchen cabinetry for a cohesive kitchen look. A push-to-open mechanism and intuitive touch controls offer effortless use, while three vacuum and heat sealing levels support sous vide preparation, marinating, and food storage, using reusable and BPA-free food-grade bags.

PRODUCTS

VB60SDEI3
60cm Series 9 Integrated Vacuum Seal Drawer

FEATURES

- 1** Panel ready design allows for seamless integration and customisation with kitchen cabinetry for a cohesive kitchen look
- 2** Push-to-open drawer, designed for added convenience
- 3** Simple and intuitive touch controls for effortless operation
- 4** Easy-to-clean glass base
- 5** Three levels of vacuum and heat sealing - for easy re-sealing, food portioning, marinating, storage and extending shelf life
- 6** Allows effortless preparation for sous vide cooking
- 7** Our food-grade, BPA-free bags are an excellent storage option – these can be re-used if sealed and cut appropriately



SERIES & STYLE

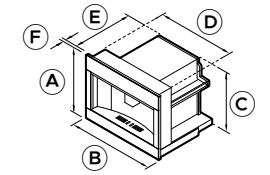
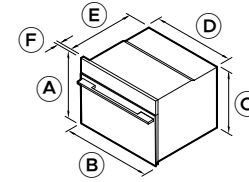
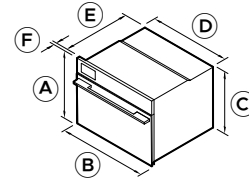
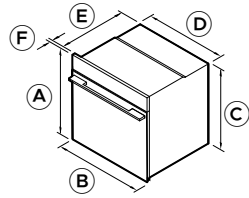
Series 9
Integrated

ACCESSORIES

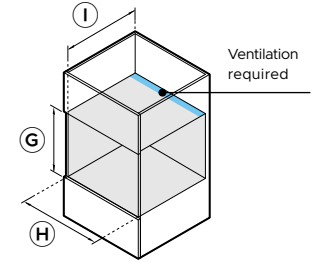
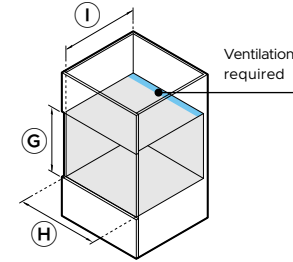
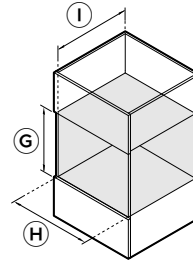
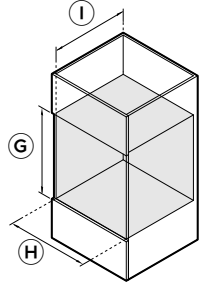
- 1** External Vacuuming Accessory Kit
- 2** Large BPA-free Vacuum Seal Bags - 50 bags (Part 793034)
- 3** Small size BPA-free Vacuum Seal Bags - 50 bags (Part 793033)

The models shown in this Planning Guide may not be available in all markets and are subject to change at any time. Product specifications may vary from those shown. This Planning Guide should not be used as installation guidance for any product. Further information is required to safely and correctly install the products featured here. Specific installation guidance will be available with the product on delivery and on our website fisherpaykel.com

PRODUCT DIMENSIONS



CAVITY DIMENSIONS



| PRODUCT DIMENSIONS | |
|--|-----|
| A Overall product height | 598 |
| B Overall product width | 596 |
| C Chassis height | 575 |
| D Chassis width | 556 |
| E Chassis depth | 545 |
| F Front frame depth (excludes handle) | 20 |
| Door open depth at 90° (from product front) | 463 |
| Product extension | - |

| PYROLYTIC OVEN OB60SAMPTB5 | |
|--|-----|
| | mm |
| A Overall product height | 598 |
| B Overall product width | 596 |
| C Chassis height | 575 |
| D Chassis width | 556 |
| E Chassis depth | 545 |
| F Front frame depth (excludes handle) | 20 |
| Door open depth at 90° (from product front) | 463 |
| Product extension | - |

| COMPACT COMBI-STEAM OVEN OS60NAMVTB5 | |
|--|-----|
| | mm |
| A Overall product height | 458 |
| B Overall product width | 596 |
| C Chassis height | 435 |
| D Chassis width | 556 |
| E Chassis depth | 545 |
| F Front frame depth (excludes handle) | 20 |
| Door open depth at 90° (from product front) | 324 |
| Product extension | - |

| COMPACT MICROWAVE OVEN OM60NMTB5 | |
|--|-----|
| | mm |
| A Overall product height | 458 |
| B Overall product width | 596 |
| C Chassis height | 435 |
| D Chassis width | 556 |
| E Chassis depth | 545 |
| F Front frame depth (excludes handle) | 20 |
| Door open depth at 90° (from product front) | 324 |
| Product extension | - |

| BUILT-IN COFFEE MAKER EB60MSB3 | |
|--|---------|
| | mm |
| A Overall product height | 458 |
| B Overall product width | 596 |
| C Chassis height | 445 |
| D Chassis width | 560 |
| E Chassis depth | 460 |
| F Front frame depth (excludes handle) | 20 |
| Door open depth at 90° (from product front) | - |
| Product extension | max 435 |

| CAVITY DIMENSIONS | |
|---|---------|
| G Minimum inside height of cavity | min 580 |
| H Minimum inside width of cavity | min 560 |
| I Minimum inside depth of cavity** | min 550 |

| PYROLYTIC OVEN OB60SAMPTB5 | |
|---|---------|
| | mm |
| G Minimum inside height of cavity | min 580 |
| H Minimum inside width of cavity | min 560 |
| I Minimum inside depth of cavity** | min 550 |

| COMPACT COMBI-STEAM OVEN OS60NAMVTB5 | |
|---|---------|
| | mm |
| G Minimum inside height of cavity | min 440 |
| H Minimum inside width of cavity | min 560 |
| I Minimum inside depth of cavity** | min 550 |

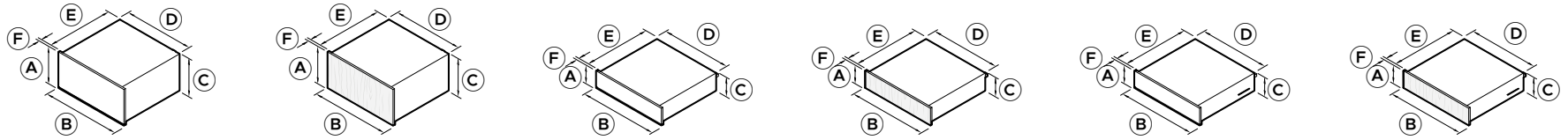
| COMPACT MICROWAVE OVEN OM60NMTB5 | |
|---|----------|
| | mm |
| G Minimum inside height of cavity | min 440 |
| H Minimum inside width of cavity | min 560 |
| I Minimum inside depth of cavity** | min 550* |

| BUILT-IN COFFEE MAKER EB60MSB3 | |
|---|----------|
| | mm |
| G Minimum inside height of cavity | min 450 |
| H Minimum inside width of cavity | min 560 |
| I Minimum inside depth of cavity** | min 545* |

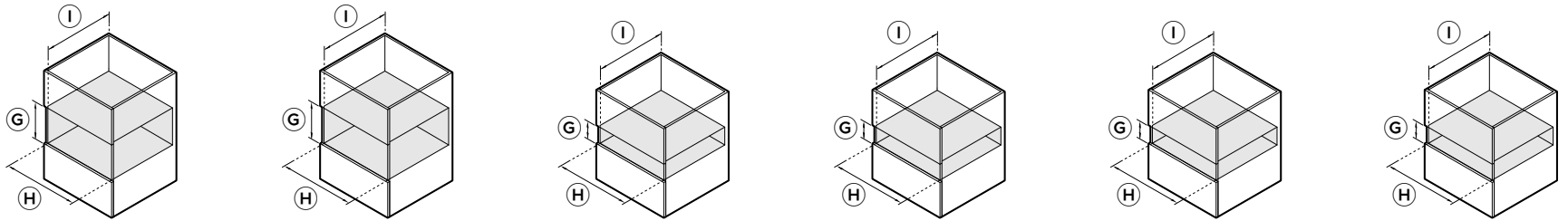
*Minimum total ventilation area of 280cm² is required. The ventilation opening must be located at the rear of the cavity and may be positioned at the base, sides, or top of the cavity.

The models shown in this Planning Guide may not be available in all markets and are subject to change at any time. Product specifications may vary from those shown. This Planning Guide should not be used as installation guidance for any product. Further information is required to safely and correctly install the products featured here. Specific installation guidance will be available with the product on delivery and on our website fisherpaykel.com

PRODUCT DIMENSIONS



CAVITY DIMENSIONS

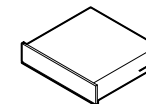
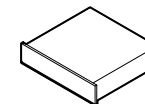
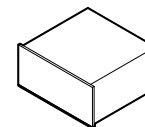
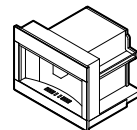
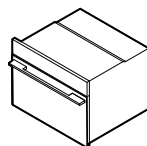
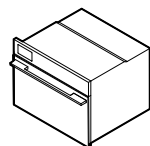
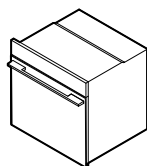


| | TALL WARMING DRAWER WB60SMTB3 | TALL INTEGRATED WARMING DRAWER WB60SDTEI3 | WARMING DRAWER WB60SMB3 | INTEGRATED WARMING DRAWER WB60SDEI3 | VACUUM SEAL DRAWER VB60SMB3 | INTEGRATED VACUUM SEAL DRAWER VB60SDEI3 |
|--|----------------------------------|--|----------------------------|--|--------------------------------|--|
| PRODUCT DIMENSIONS | | | | | | |
| A Overall product height | 290 | 290 | 140 | 140 | 140 | 140 |
| B Overall product width | 596 | 559 | 596 | 559 | 596 | 559 |
| C Chassis height | 290 | 290 | 140 | 140 | 140 | 140 |
| D Chassis width | 543 | 543* | 543 | 543* | 556 | 543* |
| E Chassis depth** | 547 | 566 | 547 | 566 | 545 | 563 |
| F Front frame depth/custom panel thickness | 20 | min 16*** | 20 | min 16*** | 20 | min 16*** |
| Custom panel height | 286 | min 286 | 136 | min 136 | 136 | min 136 |
| Custom panel width | 596 | min 536 | 596 | min 536 | 596 | min 536 |
| Drawer extension | max 414 | max 414 | max 414 | max 414 | max 414 | max 414 |
| *Excludes side brackets. **Including power plug. ***Required 2mm gap between back of custom panel and cabinet frame for push-to-open actuation. Installation spacer included. Maximum custom panel weight 5kg. | | | | | | |
| CAVITY DIMENSIONS | | | | | | |
| G Cavity height | min 292 | min 292 | min 142 | min 142 | min 142 | min 142 |
| H Cavity width | min 560 | min 560 max 568 | min 560 | min 560 max 568 | min 560 | min 560 max 568 |
| I Cavity depth (from chassis front datum) | min 550 | min 570 | min 550 | min 570 | min 550 | min 570 |

Note: 60cm Fisher & Paykel ovens can be installed directly onto the drawer. An intermediate shelf is not required.

The models shown in this Planning Guide may not be available in all markets and are subject to change at any time. Product specifications may vary from those shown. This Planning Guide should not be used as installation guidance for any product. Further information is required to safely and correctly install the products featured here. Specific installation guidance will be available with the product on delivery and on our website fisherpaykel.com

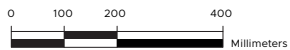
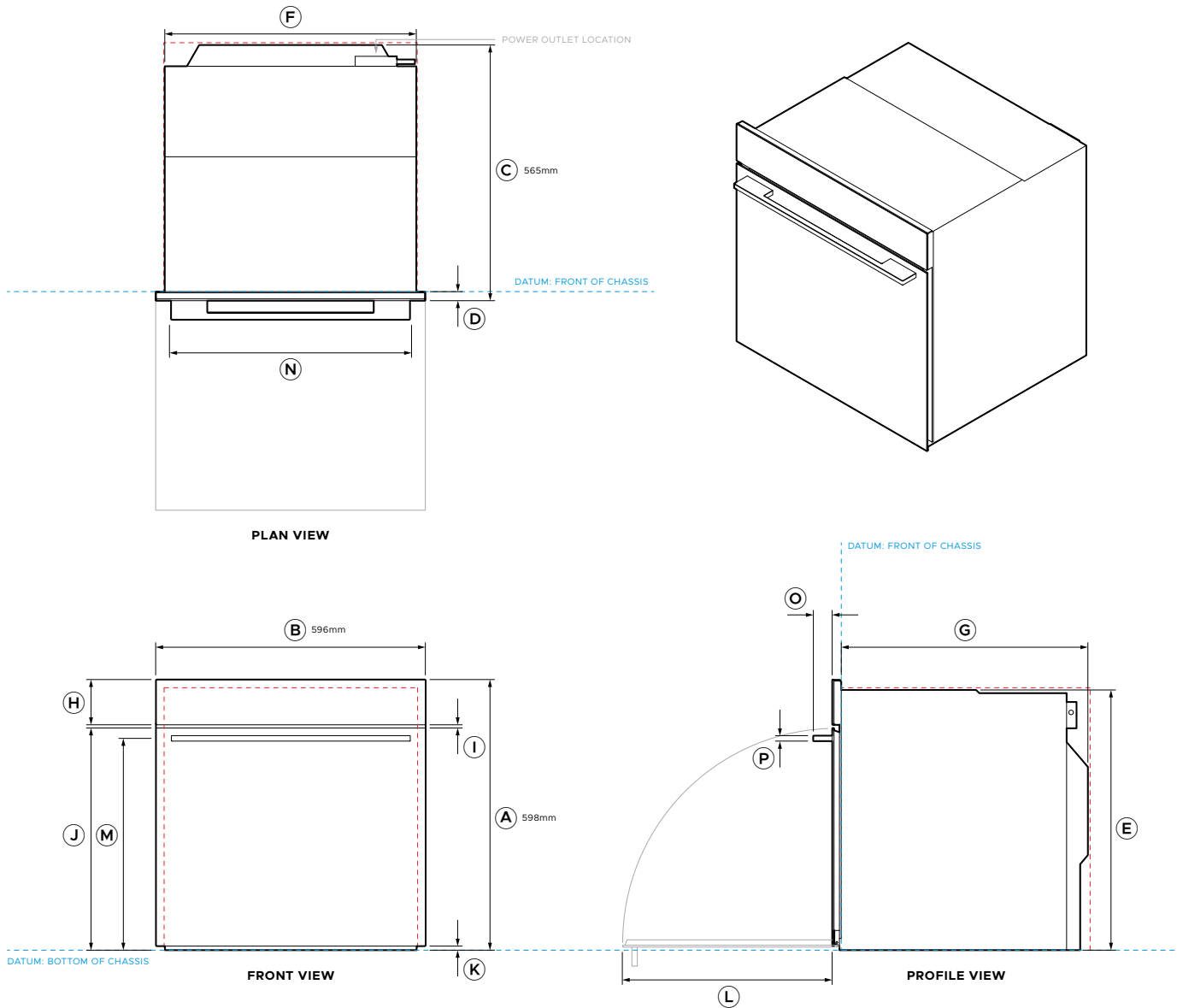
ISOMETRIC
VIEW



| | PYROLYTIC OVEN OB60SAMPTB5 | COMPACT COMBI-STEAM OVEN OS60NAMVTB5 | COMPACT COMBI-MICROWAVE OVEN OM60NMTB5 | BUILT-IN COFFEE MAKER EB60MSB3 | TALL WARMING DRAWER WB60SMTB3 | WARMING DRAWER WB60SMB3 | VACUUM SEAL DRAWER VB60SMB3 |
|--|--------------------------------------|--|--|--|---|---|---|
| PRODUCT REQUIREMENTS | | | | | INTEGRATED TALL WARMING DRAWER WB60SDTEI3 | INTEGRATED WARMING DRAWER WB60SDEI3 | INTEGRATED VACUUM SEAL DRAWER VB60SDEI3 |
| Dedicated Circuit (A) | 16 | 16 | 16 | 10 | 10 | 10 | 10 |
| Rated Power (W) | 2800 - 3300 | 2800 - 3300 | 3350 - 3800 | 1350 | 810 | 810 | 320 |
| Supply (Hz) | 50 | 50 | 50 | 50 | 50 | 50 | 50 |
| Voltage (V) | 220 - 240 | 220 - 240 | 220 - 240 | 220 - 240 | 220 - 240 | 220 - 240 | 220 - 240 |
| Connection | Hard-wired min 1500mm** | Hard-wired min 1500mm** | Hard-wired min 1500mm** | Flex cord 1700mm* | Flex cord 1800mm* | Flex cord 1800mm* | Flex cord 1800mm* |
| *Supplied with product. **The electrician is required to provide a free length of power supply cable extending at least 1500mm in front of the bottom edge of the cavity opening. Note: For multi-residential installations, use the Rated Power to calculate the demand. | | | | | | | |
| CAPACITY | | | | | | | |
| Total Oven capacity | 85L | 55L | 49L | - | - | - | - |
| Total water tank capacity | - | 0.67L | - | 2.4L | - | - | - |
| Note: All Coffee Makers and Steam Ovens have internal water tanks which need to be filled manually. No external water supply is required. | | | | | | | |
| WEIGHTS | | | | | | | |
| Packaged | 53kg | 46kg | 47kg | 29kg | 25kg Integrated 23kg | 22kg Integrated 18kg | 42kg Integrated 33kg |
| Unpackaged | 43kg | 34kg | 38kg | 19.5kg | 20kg Integrated 20kg | 18kg Integrated 15kg | 35kg Integrated 28kg |

The models shown in this Planning Guide may not be available in all markets and are subject to change at any time. Product specifications may vary from those shown. This Planning Guide should not be used as installation guidance for any product. Further information is required to safely and correctly install the products featured here. Specific installation guidance will be available with the product on delivery and on our website fisherpaykel.com

DATA SHEETS



Model no:
OB60SAMPTB5 60cm Series 7 Minimal Pyrolytic Oven - Black

Product Dimensions **mm**

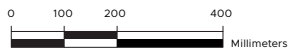
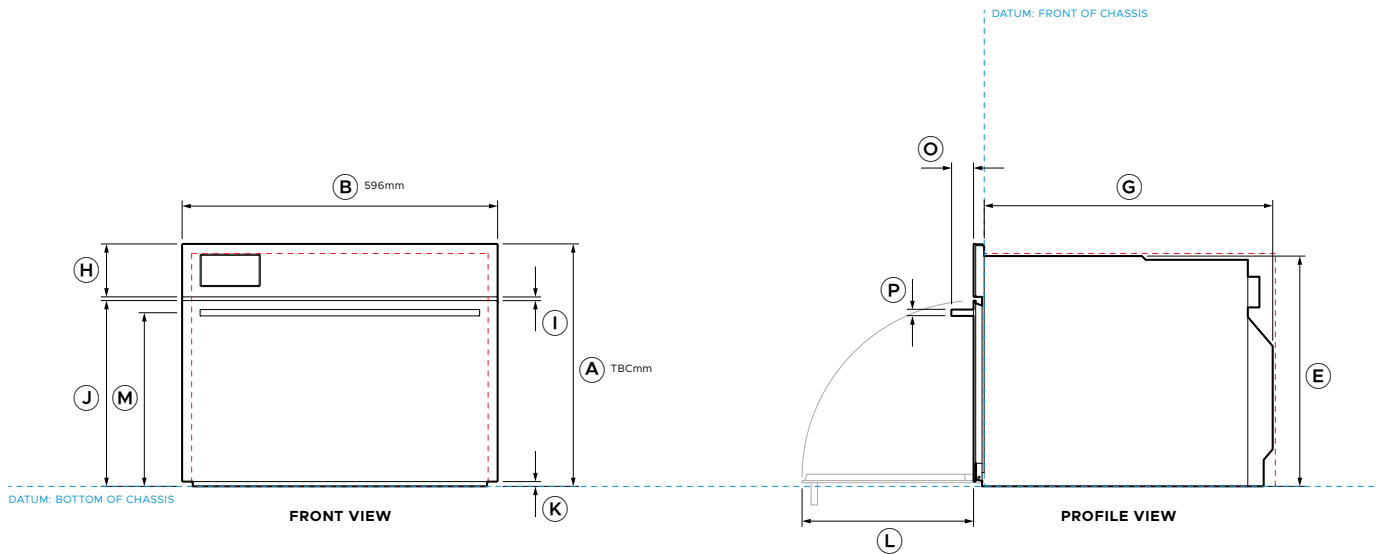
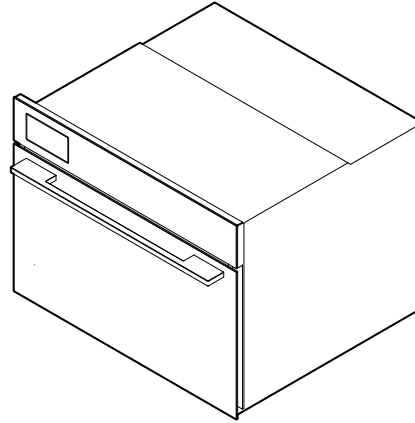
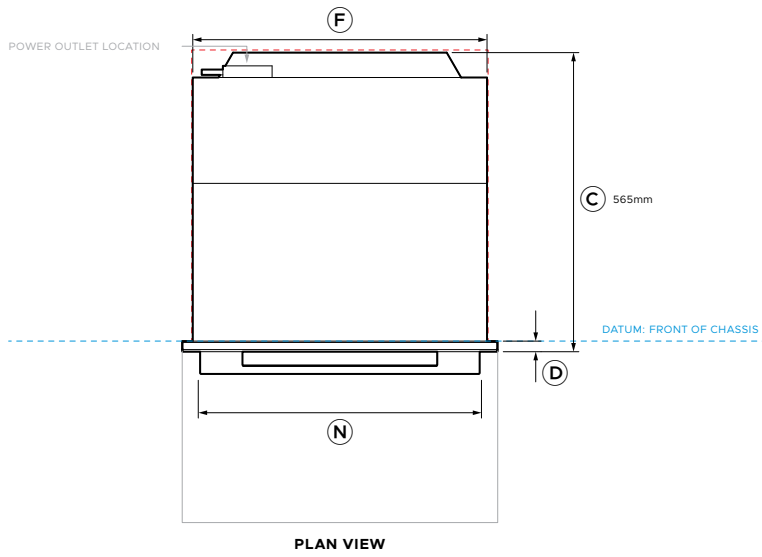
| | | |
|----------|--|-----|
| A | Overall product height | 598 |
| B | Overall product width | 596 |
| C | Overall product depth (excludes handle) | 565 |
| D | Front frame depth (excludes handle) | 20 |
| E | Chassis height | 575 |
| F | Chassis width | 556 |
| G | Chassis depth | 545 |
| H | Control panel height | 100 |
| I | Door-to-control panel gap | 7 |
| J | Door upper edge height (from chassis base datum) | 491 |
| K | Door lower edge height (from chassis base datum) | 9 |
| L | Door open depth at 90° (from product front) | 463 |
| M | Handle centreline height (from chassis base datum) | 468 |
| N | Handle width | 528 |
| O | Handle depth (projection) | 42 |
| P | Handle thickness | 12 |

Minimum Clearances **mm**

| | |
|---|---------|
| Cavity height | min 580 |
| Cavity width | min 560 |
| Cavity depth (from chassis front datum) | min 550 |
| Front frame clearance - top & sides | min 2 |

----- INDICATES PRODUCT DATUM
 ----- INDICATES CABINETRY CLEARANCES

IMPORTANT NOTE: Throughout this guide, dimensions may vary by ±2mm (1/16"). Please read the installation manual for detailed information on installing the product. For full installation instructions & specifications visit fisherpaykel.com



Model no:

OS60NAMVTB5

60cm Series 7 Minimal Compact Combi-Steam Oven
- Black

Product Dimensions

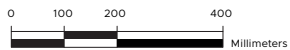
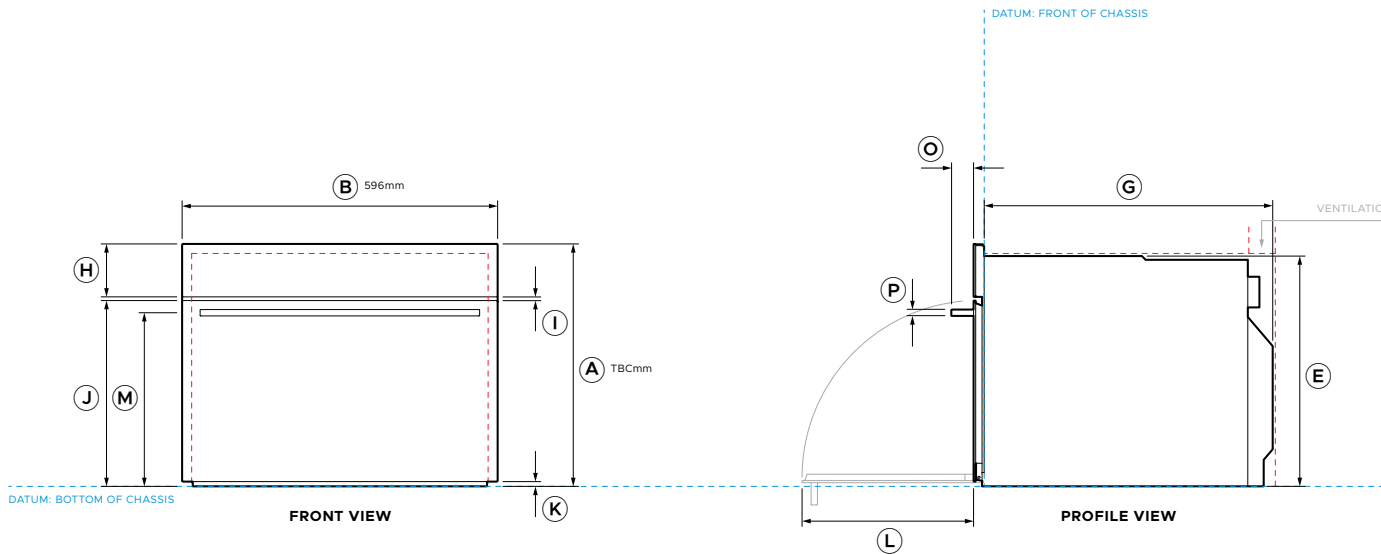
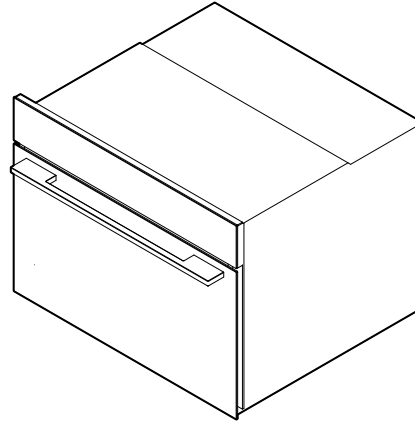
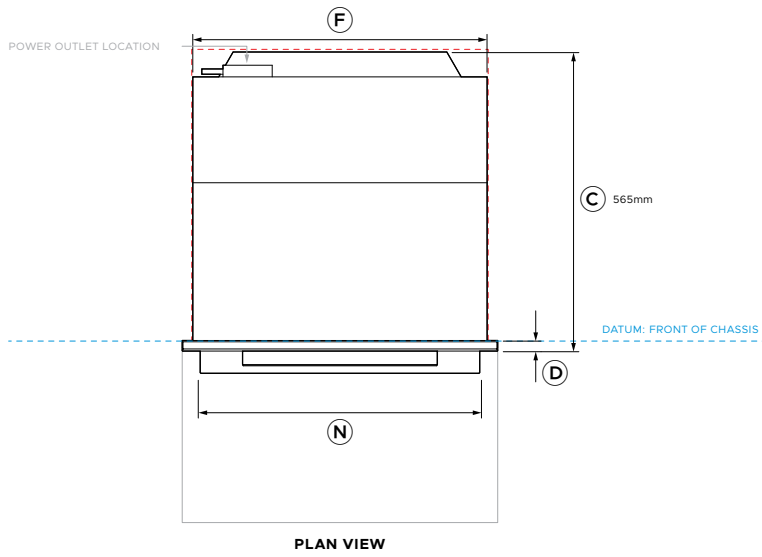
| | mm |
|---|-----------|
| A Overall product height | 458 |
| B Overall product width | 596 |
| C Overall product depth (excludes handle) | 565 |
| D Front frame depth (excludes handle) | 20 |
| E Chassis height | 435 |
| F Chassis width | 556 |
| G Chassis depth | 545 |
| H Control panel height | 100 |
| I Door-to-control panel gap | 7 |
| J Door upper edge height (from chassis base datum) | 351 |
| K Door lower edge height (from chassis base datum) | 9 |
| L Door open depth at 90° (from product front) | 324 |
| M Handle centreline height (from chassis base datum) | 328 |
| N Handle width | 528 |
| O Handle depth (projection) | 42 |
| P Handle thickness | 12 |

Minimum Clearances

| | mm |
|---|-----------|
| Cavity height | min 440 |
| Cavity width | min 560 |
| Cavity depth (from chassis front datum) | min 550 |
| Front frame clearance - top & sides | min 2 |

----- INDICATES PRODUCT DATUM
----- INDICATES CABINETRY CLEARANCES

IMPORTANT NOTE: Throughout this guide, dimensions may vary by ±2mm (1/16"). Please read the installation manual for detailed information on installing the product. For full installation instructions & specifications visit fisherpaykel.com



Model no:
OM60NMTB5 60cm Series 7 Minimal Compact Combi-Microwave Oven - Black

| Product Dimensions | | mm |
|--------------------|--|-----|
| A | Overall product height | 458 |
| B | Overall product width | 596 |
| C | Overall product depth (excludes handle) | 565 |
| D | Front frame depth (excludes handle) | 20 |
| E | Chassis height | 435 |
| F | Chassis width | 556 |
| G | Chassis depth | 545 |
| H | Control panel height | 100 |
| I | Door-to-control panel gap | 7 |
| J | Door upper edge height (from chassis base datum) | 351 |
| K | Door lower edge height (from chassis base datum) | 9 |
| L | Door open depth at 90° (from product front) | 324 |
| M | Handle centreline height (from chassis base datum) | 328 |
| N | Handle width | 528 |
| O | Handle depth (projection) | 42 |
| P | Handle thickness | 12 |

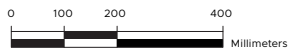
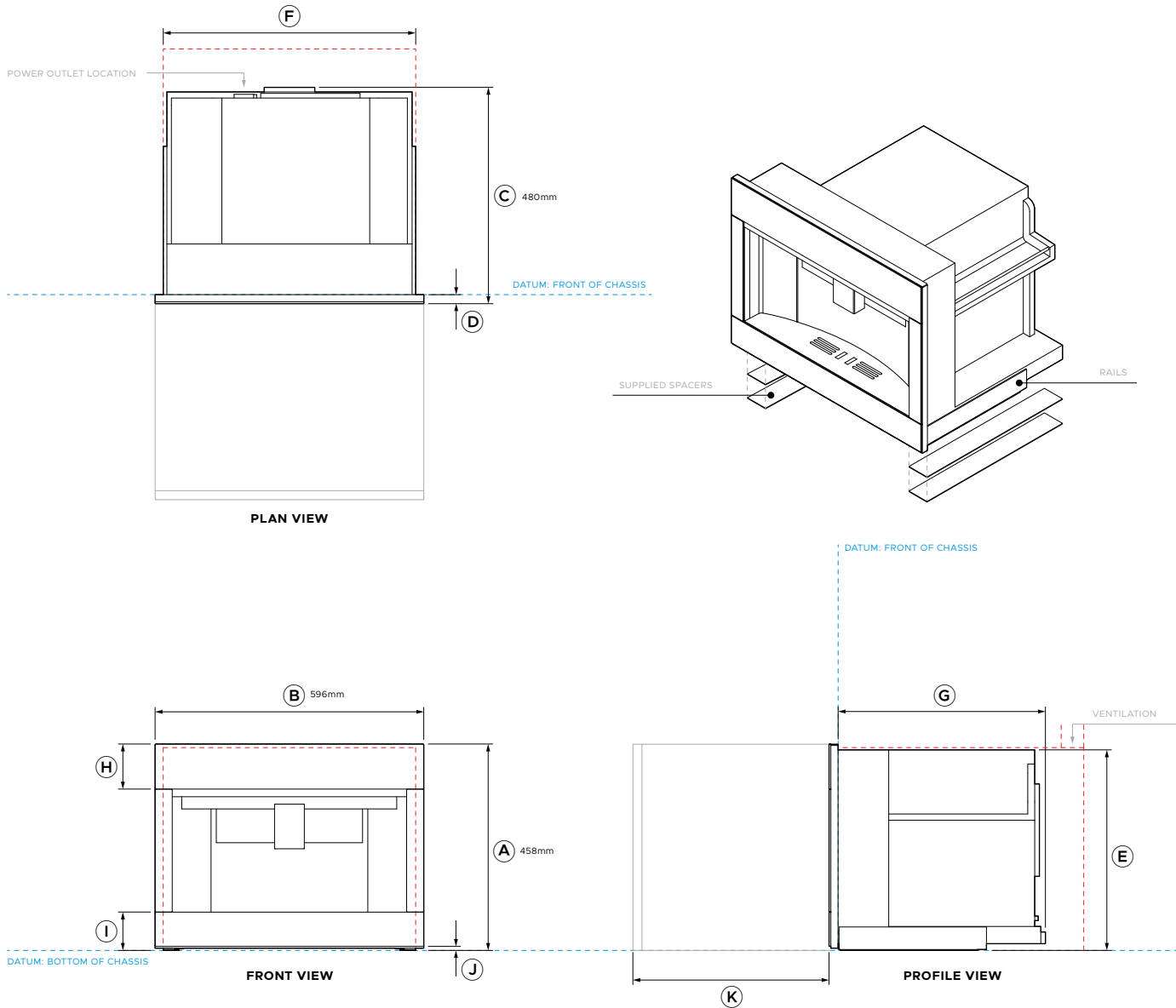
| Minimum Clearances | | mm |
|--------------------|---|---------|
| | Cavity height | min 440 |
| | Cavity width | min 560 |
| | Cavity depth (from chassis front datum) | min 550 |
| | Front frame clearance - top & sides | min 2 |

| Ventilation Requirements | | mm |
|--------------------------|----------------------------------|---------|
| | Rear ventilation opening height* | min 50 |
| | Rear ventilation opening width* | min 560 |

*Minimum total ventilation area of 280cm² is required. The ventilation opening must be located at the rear of the cavity and may be positioned at the base, sides, or top of the cavity.

----- INDICATES PRODUCT DATUM
----- INDICATES CABINETRY CLEARANCES

IMPORTANT NOTE: Throughout this guide, dimensions may vary by ±2mm (1/16"). Please read the installation manual for detailed information on installing the product. For full installation instructions & specifications visit fisherpaykel.com



Model no:
EB60MSB3 60cm Series 9 Minimal Built-in Coffee Maker - Black

| Product Dimensions | | mm |
|--------------------|--|---------|
| A | Overall product height | 458 |
| B | Overall product width | 596 |
| C | Overall product depth (includes power plug) | 480 |
| D | Front frame depth | 20 |
| E | Chassis height (includes side rails)* | 445 |
| F | Chassis width (includes side rails)* | 560 |
| G | Chassis depth | 460 |
| H | Control panel height | 100 |
| I | Base panel upper edge height | 85 |
| J | Base panel lower edge height (from chassis base datum) | 9 |
| K | Product extension | max 435 |

*Side rails are attached to the product and cabinetry during installation.

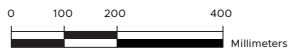
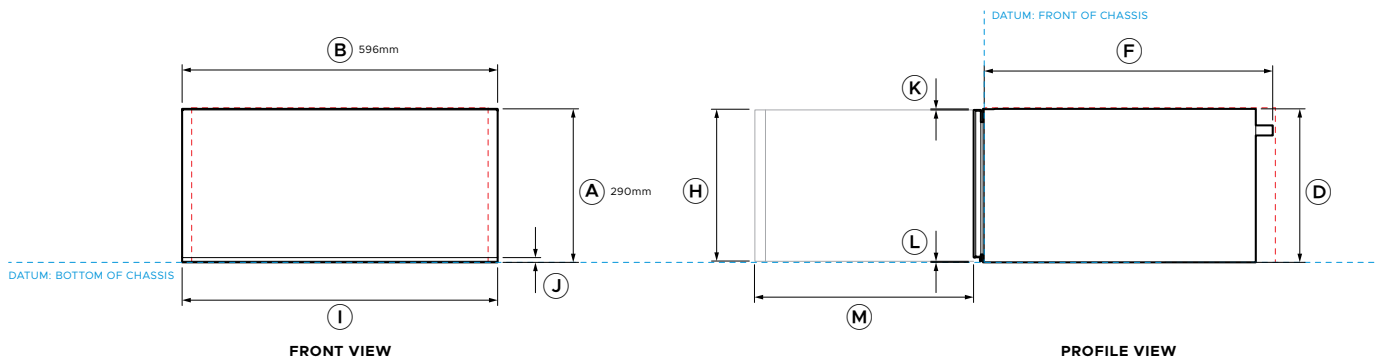
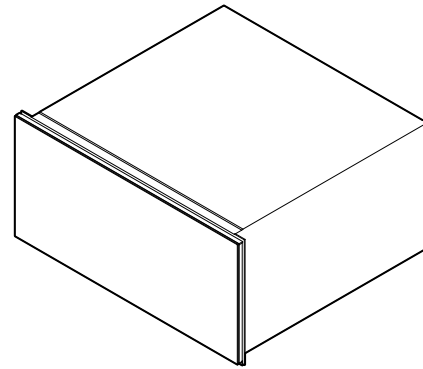
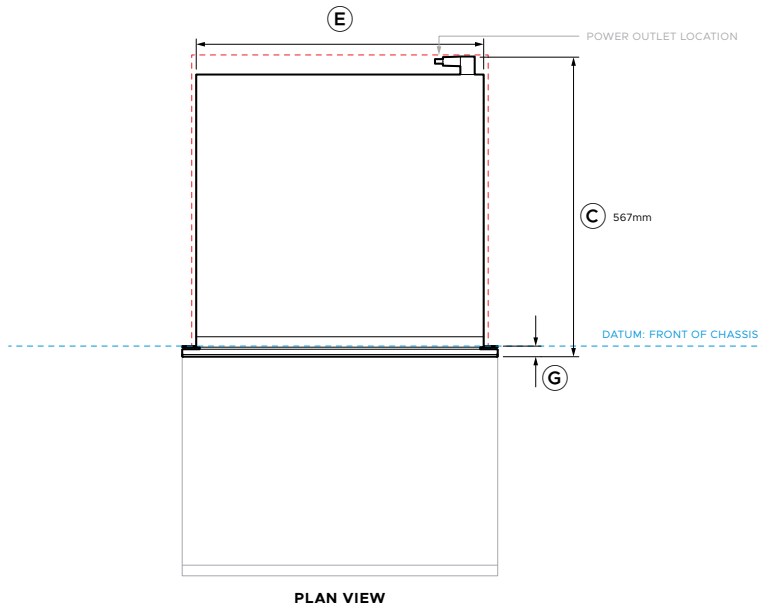
| Minimum Clearances | | mm |
|--------------------|---|---------|
| | Cavity height | min 450 |
| | Cavity width | min 560 |
| | Cavity depth (from chassis front datum) | min 545 |
| | Front frame clearance - top & sides | min 2 |

| Ventilation Requirements | | mm |
|--------------------------|----------------------------------|---------|
| | Rear ventilation opening height* | min 50 |
| | Rear ventilation opening width* | min 560 |

*Minimum total ventilation area of 280cm² is required. The ventilation opening must be located at the rear of the cavity and may be positioned at the base, sides, or top of the cavity.

----- INDICATES PRODUCT DATUM
 - - - - - INDICATES CABINETRY CLEARANCES

IMPORTANT NOTE: Throughout this guide, dimensions may vary by ±2mm (1/16"). Please read the installation manual for detailed information on installing the product. For full installation instructions & specifications visit fisherpaykel.com



Model no:
WB60SMTB3 60cm Series 9 Minimal Tall Warming Drawer - Black

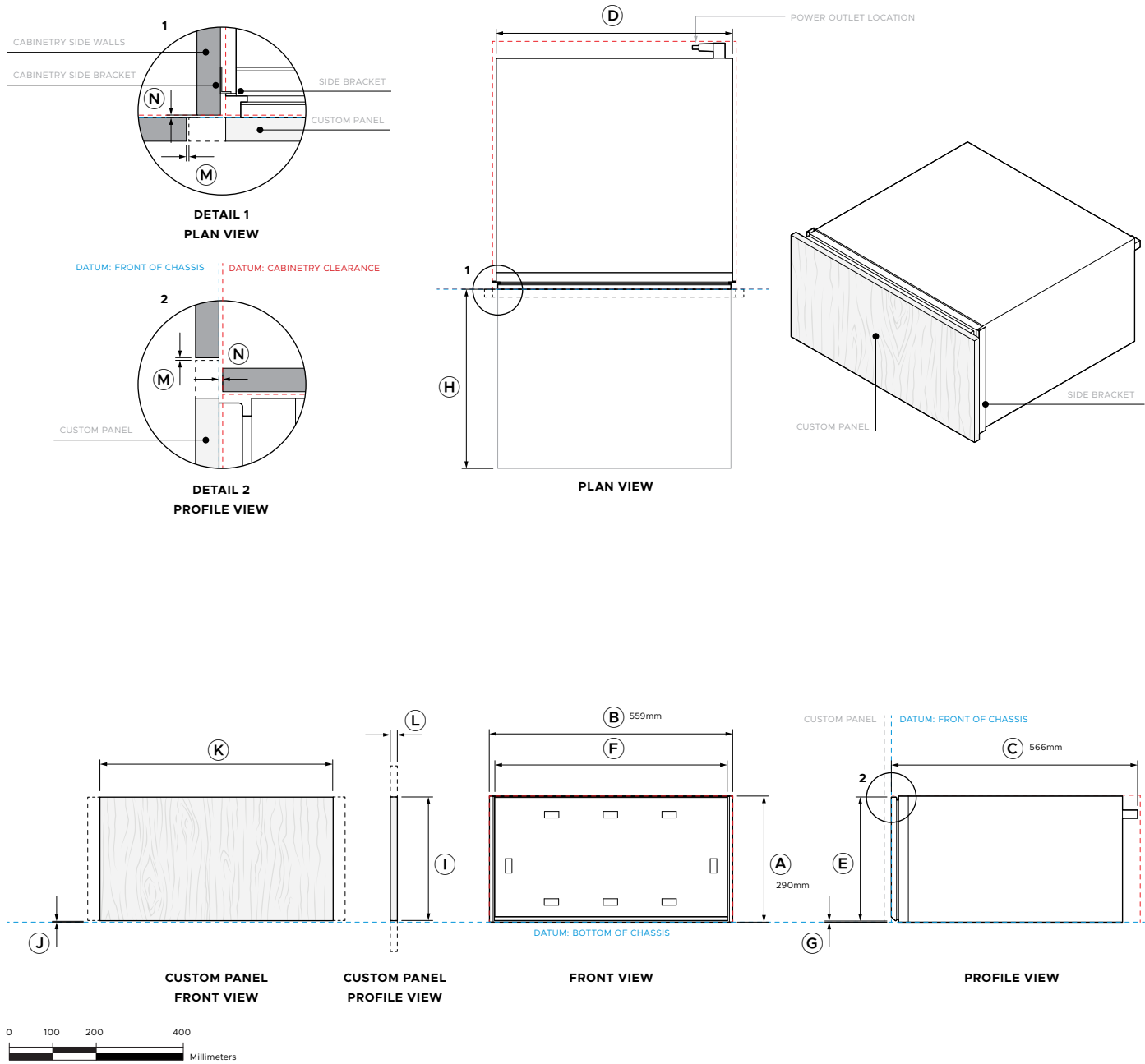
| Product Dimensions | | mm |
|--------------------|--|---------|
| A | Overall product height | 290 |
| B | Overall product width | 596 |
| C | Overall product depth (includes power plug) | 567 |
| D | Chassis height | 290 |
| E | Chassis width | 543 |
| F | Chassis depth | 547 |
| G | Front frame depth (includes flange and front panel) | 20 |
| H | Front panel height | 286 |
| I | Front panel width | 596 |
| J | Front panel lower visual edge height (from chassis base datum) | 9 |
| K | Front panel upper edge to top of chassis | 2 |
| L | Front panel lower true edge height (from chassis base datum) | 2 |
| M | Drawer extension | max 414 |

| Minimum Clearances | | mm |
|---|--|---------|
| Cavity height | | |
| - standalone installation | | min 292 |
| - stack installation | | 290 |
| Cavity width | | min 560 |
| Cavity depth (from chassis front datum) | | min 550 |
| Front frame clearance - top & sides | | min 2 |

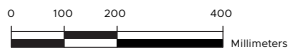
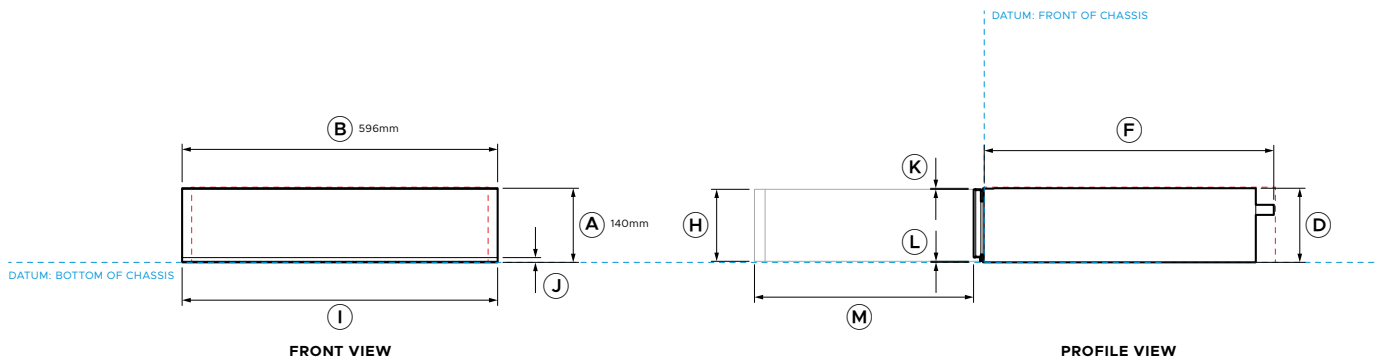
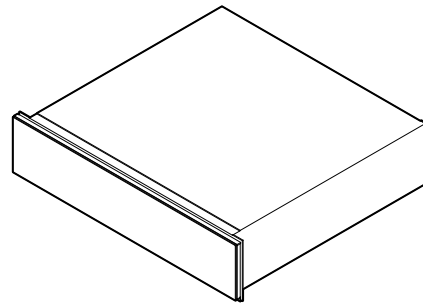
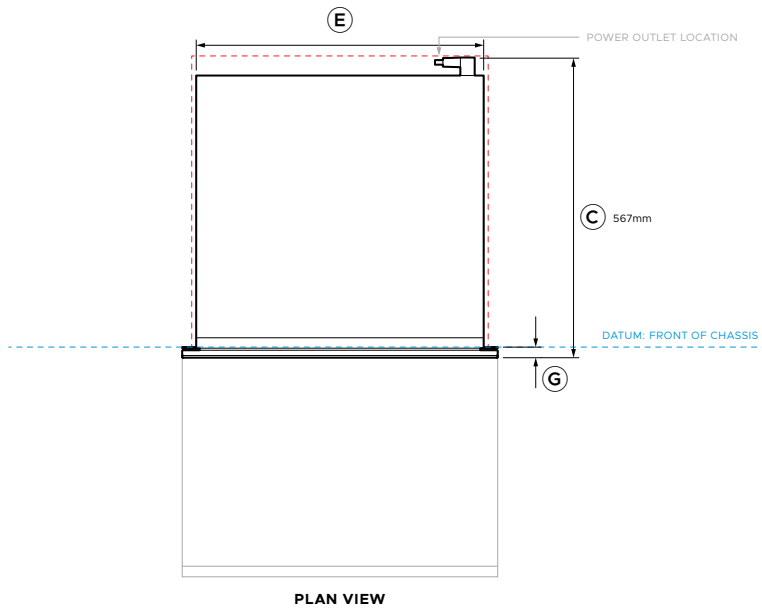
Note: 60cm Fisher & Paykel ovens can be installed directly onto the drawer. An intermediate shelf is not required.

----- INDICATES PRODUCT DATUM
- - - - - INDICATES CABINETRY CLEARANCES

IMPORTANT NOTE: Throughout this guide, dimensions may vary by ±2mm (1/16"). Please read the installation manual for detailed information on installing the product. For full installation instructions & specifications visit fisherpaykel.com



| | | |
|--|--|-----------|
| Model no: | | |
| WB60SDTEI3 | 60cm Series 9 Integrated Tall Warming Drawer | |
| Product Dimensions | | |
| A | Overall product height | 290 |
| B | Overall product width | 559 |
| C | Overall product depth (includes power plug and flange) | 566 |
| D | Chassis width (excludes side brackets) | 543 |
| E | Inner panel height | 284 |
| F | Inner panel width | 536 |
| G | Inner panel lower edge height | 2 |
| H | Drawer extension | max 414 |
| Custom Panel Dimensions | | |
| I | Custom panel height | min 286 |
| J | Custom panel lower edge height above base datum | max 2 |
| K | Custom panel width | min 536 |
| | Custom panel width to match F&P 60cm products | 596 |
| L | Custom panel thickness | min 16 |
| | Custom panel weight | max 5kg |
| Note: The custom panel can be extended on all sides. Once installed, the panel can be vertically adjusted to align with adjacent cabinetry. | | |
| Minimum Clearances | | mm |
| Cavity height | | |
| - standalone installation | | min 292 |
| - stack installation | | 290 |
| Cavity width | | min 560 |
| | | max 568 |
| Cavity depth | | min 570 |
| M | Custom panel clearance - top & sides | min 2 |
| N | Push-to-open clearance* | min 2 |
| *Required gap between back of custom panel and cabinet frame for push-to-open actuation. Installation spacer included. | | |
| Note: 60cm Fisher & Paykel ovens can be installed directly onto the drawer. An intermediate shelf is not required. | | |
| ----- INDICATES PRODUCT DATUM - - - - - INDICATES CABINETY CLEARANCES | | |
| IMPORTANT NOTE: Throughout this guide, dimensions may vary by ±2mm (1/16"). Please read the installation manual for detailed information on installing the product. For full installation instructions & specifications visit fisherpaykel.com | | |



Model no:
WB60SMB3 60cm Series 9 Minimal Warming Drawer - Black

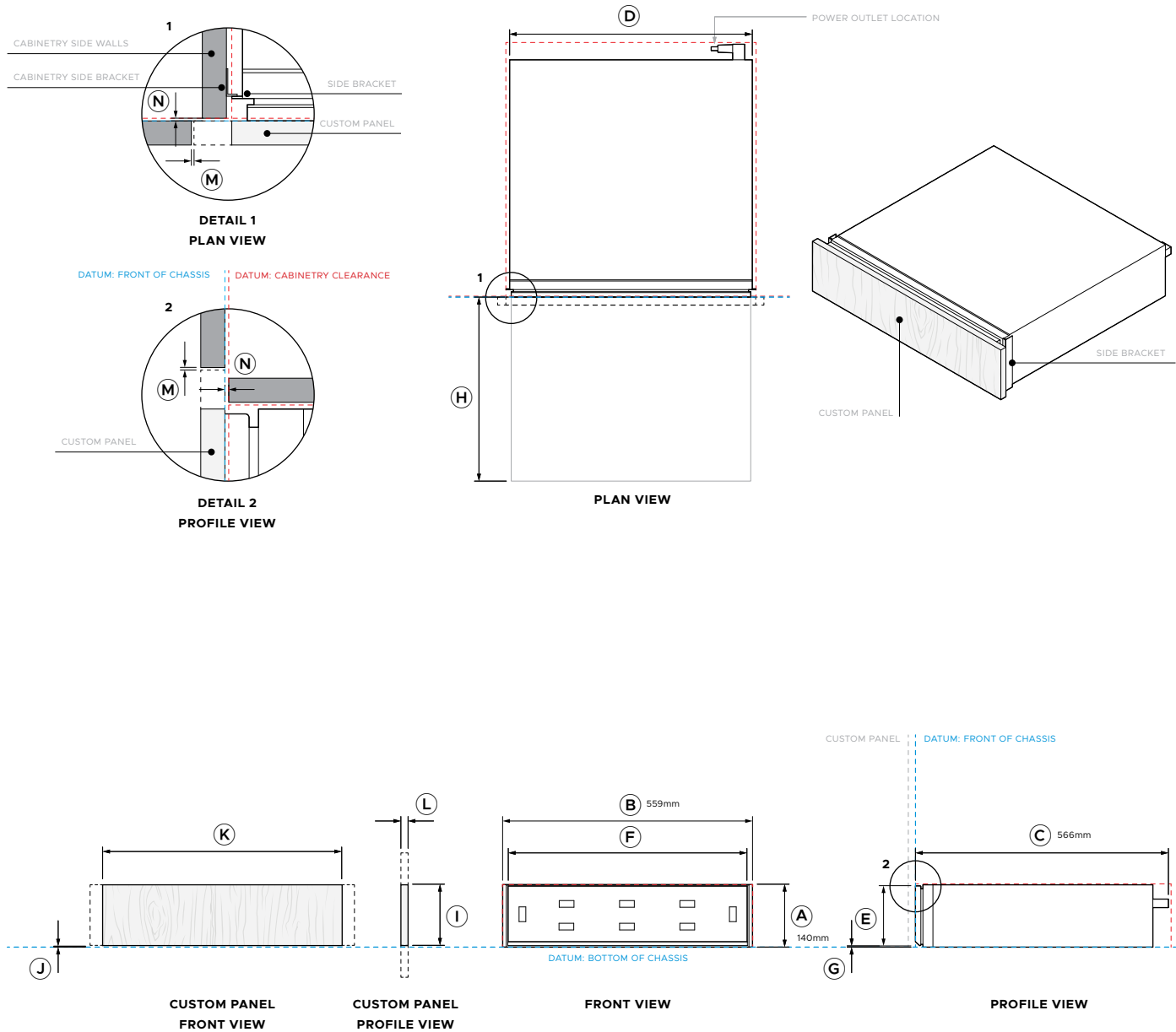
| Product Dimensions | | mm |
|--------------------|--|---------|
| A | Overall product height | 140 |
| B | Overall product width | 596 |
| C | Overall product depth (includes power plug) | 567 |
| D | Chassis height | 140 |
| E | Chassis width | 543 |
| F | Chassis depth | 547 |
| G | Front frame depth (includes flange and front panel) | 20 |
| H | Front panel height | 136 |
| I | Front panel width | 596 |
| J | Front panel lower visual edge height (from chassis base datum) | 9 |
| K | Front panel upper edge to top of chassis | 2 |
| L | Front panel lower true edge height (from chassis base datum) | 2 |
| M | Drawer extension | max 414 |

| Minimum Clearances | | mm |
|---|--|---------|
| Cavity height | | |
| - standalone installation | | min 142 |
| - stack installation | | 140 |
| Cavity width | | min 560 |
| Cavity depth (from chassis front datum) | | min 550 |
| Front frame clearance - top & sides | | min 2 |

Note: 60cm Fisher & Paykel ovens can be installed directly onto the drawer. An intermediate shelf is not required.

----- INDICATES PRODUCT DATUM
- - - - - INDICATES CABINETRY CLEARANCES

IMPORTANT NOTE: Throughout this guide, dimensions may vary by ±2mm (1/16"). Please read the installation manual for detailed information on installing the product. For full installation instructions & specifications visit fisherpaykel.com



Model no:
WB60SDEI3 60cm Series 9 Integrated Warming Drawer

| Product Dimensions | | mm |
|-------------------------|--|---------|
| A | Overall product height | 140 |
| B | Overall product width | 559 |
| C | Overall product depth (includes power plug and flange) | 566 |
| D | Chassis width (excludes side brackets) | 543 |
| E | Inner panel height | 134 |
| F | Inner panel width | 536 |
| G | Inner panel lower edge height | 2 |
| H | Drawer extension | max 414 |
| Custom Panel Dimensions | | mm |
| I | Custom panel height | min 136 |
| J | Custom panel lower edge height above base datum | max 2 |
| K | Custom panel width | min 536 |
| | Custom panel width to match F&P 60cm products | 596 |
| L | Custom panel thickness | min 16 |
| | Custom panel weight | max 5kg |
| Minimum Clearances | | mm |
| | Cavity height | |
| | - standalone installation | min 142 |
| | - stack installation | 140 |
| | Cavity width | min 560 |
| | | max 568 |
| | Cavity depth | min 570 |
| M | Custom panel clearance - top & sides | min 2 |
| N | Push-to-open clearance* | min 2 |

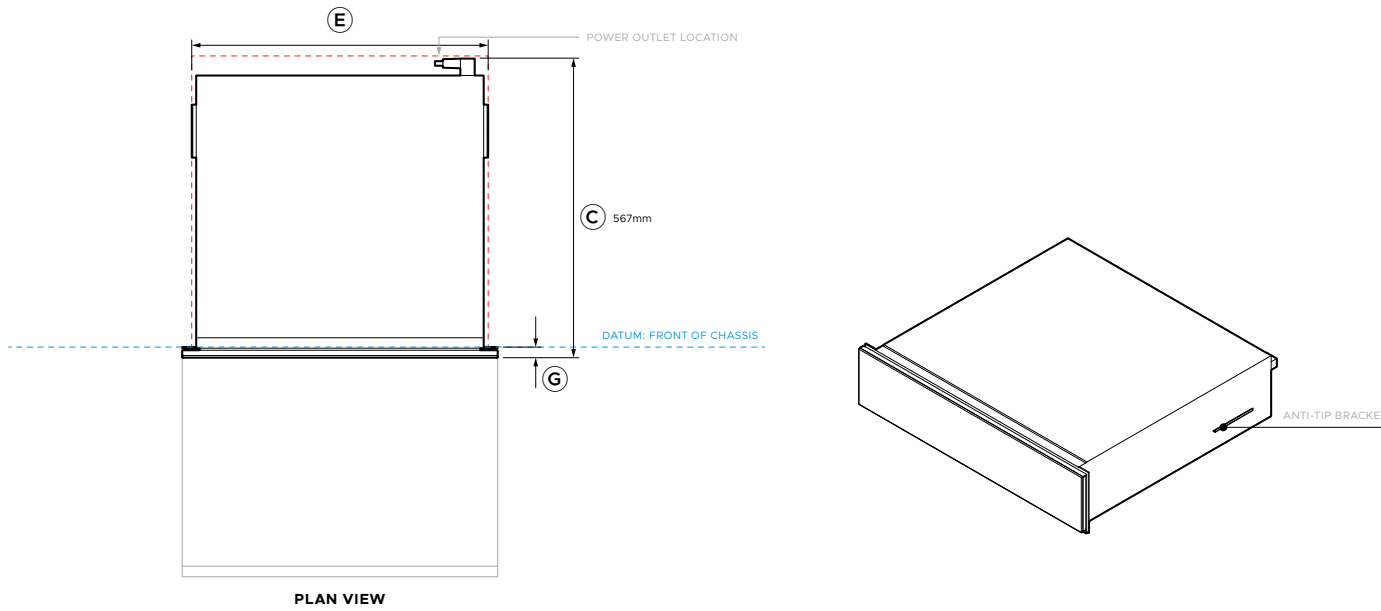
Note: The custom panel can be extended on all sides. Once installed, the panel can be vertically adjusted to align with adjacent cabinetry.

*Required gap between back of custom panel and cabinet frame for push-to-open actuation. Installation spacer included.

Note: 60cm Fisher & Paykel ovens can be installed directly onto the drawer. An intermediate shelf is not required.

----- INDICATES PRODUCT DATUM
 - - - - - INDICATES CABINTRY CLEARANCES

IMPORTANT NOTE: Throughout this guide, dimensions may vary by ±2mm (1/16"). Please read the installation manual for detailed information on installing the product. For full installation instructions & specifications visit fisherpaykel.com



Model no:
VB60SMB3 60cm Series 9 Minimal Vacuum Seal Drawer - Black

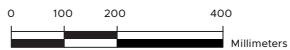
| Product Dimensions | | mm |
|--------------------|--|---------|
| A | Overall product height | 140 |
| B | Overall product width | 596 |
| C | Overall product depth (includes power plug) | 565 |
| D | Chassis height | 140 |
| E | Chassis width | 556 |
| F | Chassis depth | 545 |
| G | Front frame depth (includes flange and front panel) | 20 |
| H | Front panel height | 136 |
| I | Front panel width | 596 |
| J | Front panel lower visual edge height (from chassis base datum) | 9 |
| K | Front panel upper edge to top of chassis | 2 |
| L | Front panel lower true edge height (from chassis base datum) | 2 |
| M | Anit-tip bracket to front of chassis | 358 |
| N | Drawer extension | max 414 |

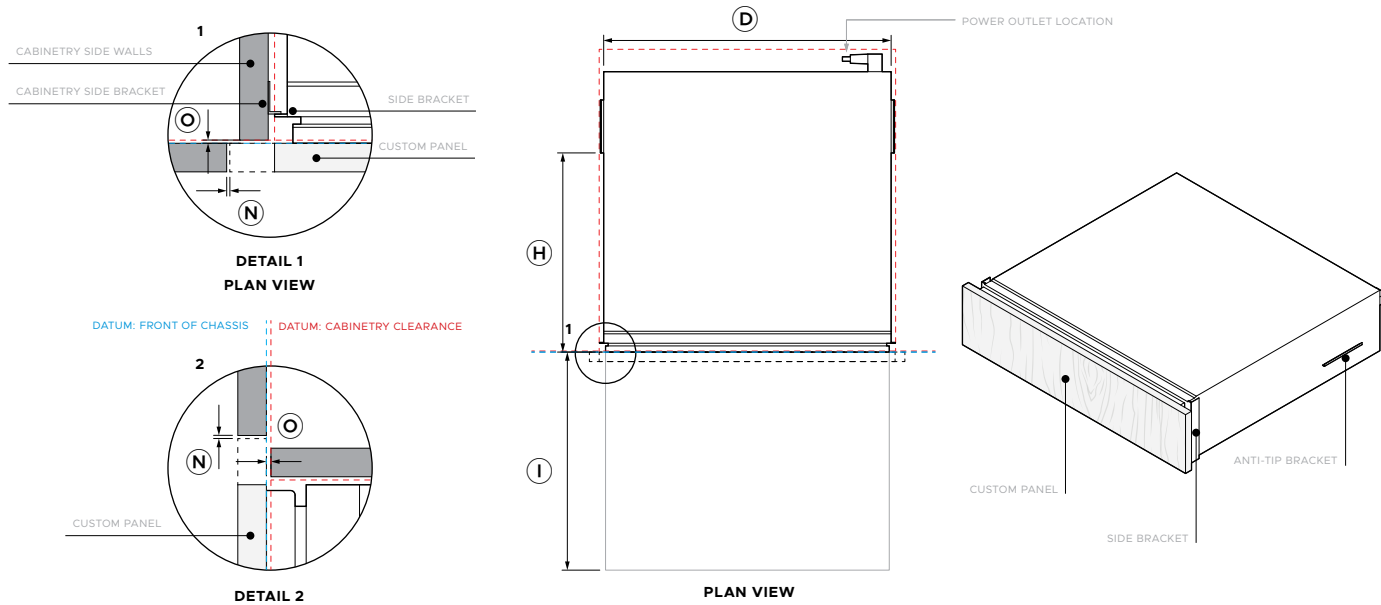
| Minimum Clearances | | mm |
|---|--|---------|
| Cavity height | | |
| - standalone installation | | min 142 |
| - stack installation | | 140 |
| Cavity width | | min 560 |
| Cavity depth (from chassis front datum) | | min 550 |
| Front frame clearance - top & sides | | min 2 |

Note: 60cm Fisher & Paykel ovens can be installed directly onto the drawer. An intermediate shelf is not required.

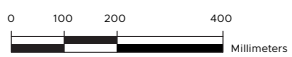
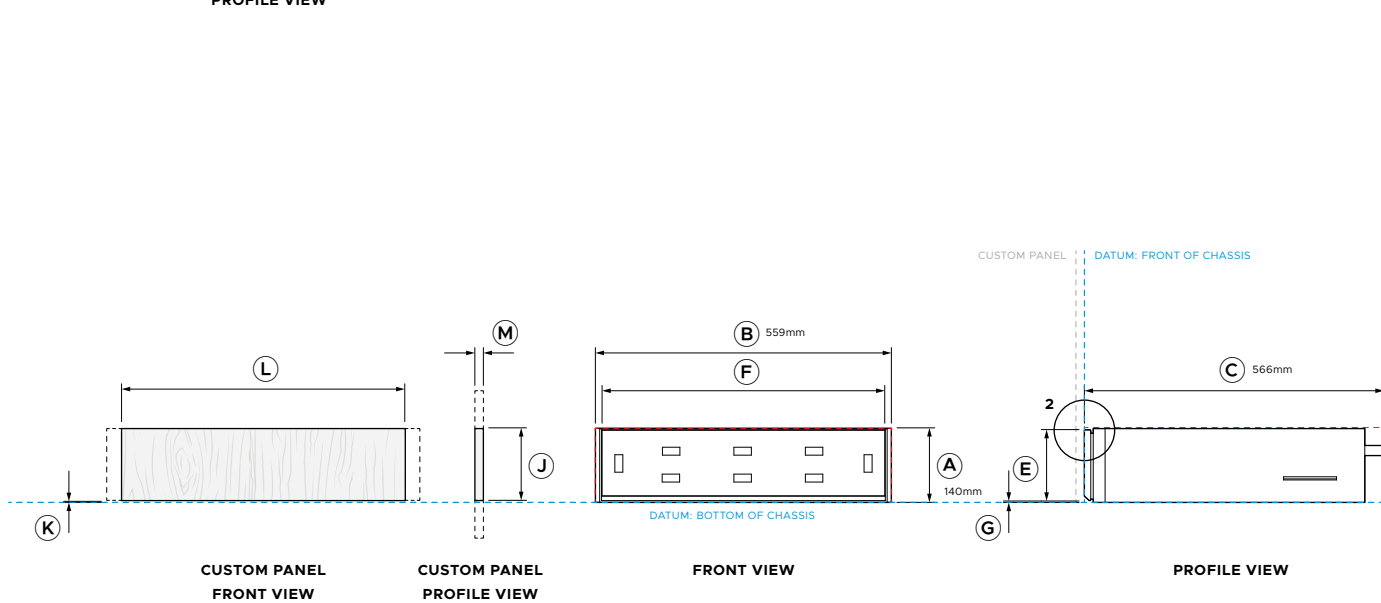
----- INDICATES PRODUCT DATUM
 - - - - - INDICATES CABINETRY CLEARANCES

IMPORTANT NOTE: Throughout this guide, dimensions may vary by ±2mm (1/16"). Please read the installation manual for detailed information on installing the product. For full installation instructions & specifications visit fisherpaykel.com





| | |
|--|--|
| Model no: | |
| VB60SDEI3 | 60cm Series 9 Integrated Vacuum Seal Drawer |
| Product Dimensions | |
| A | Overall product height |
| B | Overall product width |
| C | Overall product depth (includes power plug and flange) |
| D | Chassis width (excludes side brackets) |
| E | Inner panel height |
| F | Inner panel width |
| G | Inner panel lower edge height |
| H | Anit-tip bracket to front of chassis |
| I | Drawer extension |
| Custom Panel Dimensions | |
| J | Custom panel height |
| K | Custom panel lower edge height above base datum |
| L | Custom panel width |
| | Custom panel width to match F&P 60cm products |
| M | Custom panel thickness |
| | Custom panel weight |
| Minimum Clearances | |
| Cavity height | |
| - standalone installation | min 142 |
| - stack installation | 140 |
| Cavity width | |
| | min 560 |
| | max 568 |
| Cavity depth | |
| | min 570 |
| N | Custom panel clearance - top & sides |
| O | Push-to-open clearance* |
| *Required gap between back of custom panel and cabinet frame for push-to-open actuation. Installation spacer included. | |
| Note: 60cm Fisher & Paykel ovens can be installed directly onto the drawer. An intermediate shelf is not required. | |
| ----- INDICATES PRODUCT DATUM | |
| ----- INDICATES CABINTRY CLEARANCES | |
| IMPORTANT NOTE: Throughout this guide, dimensions may vary by ±2mm (1/16"). Please read the installation manual for detailed information on installing the product. For full installation instructions & specifications visit fisherpaykel.com | |



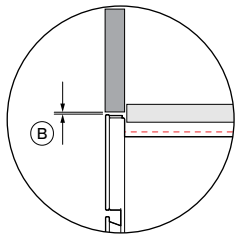
PLANNING CONSIDERATIONS

CABINETS CLEARANCES

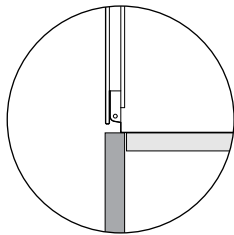
| CLEARANCES | | mm |
|------------|--------------------------------------|-------|
| A | Front/custom panel clearance - sides | min 2 |
| B | Front/custom panel clearance - top | min 2 |

UNDERBENCH

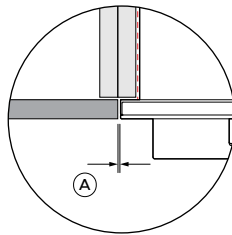
If installing a cooktop above the oven, ensure adequate clearance is provided for the cooktop as per the cooktop manufacturer's instructions.



DETAIL 1
PROFILE VIEW

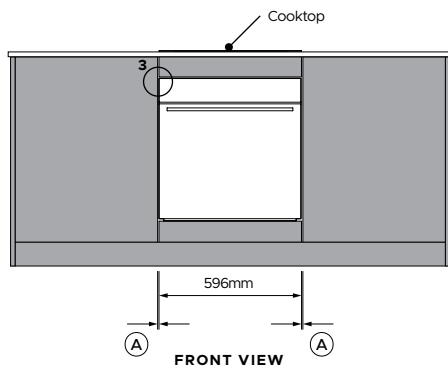


DETAIL 2
PROFILE VIEW

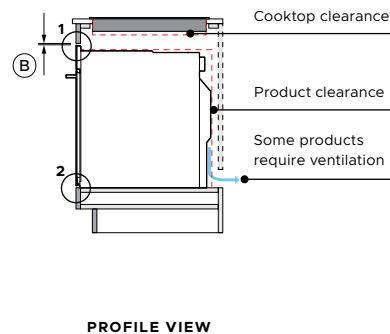


DETAIL 3
PLAN VIEW

Products require no bottom clearance between product to cabinetry front panel or appliance.



FRONT VIEW



PROFILE VIEW

INSTALLATION

SINGLE

Head to the 'Data Sheets' section in this Planning Guide for details.

STACKED OR GRID

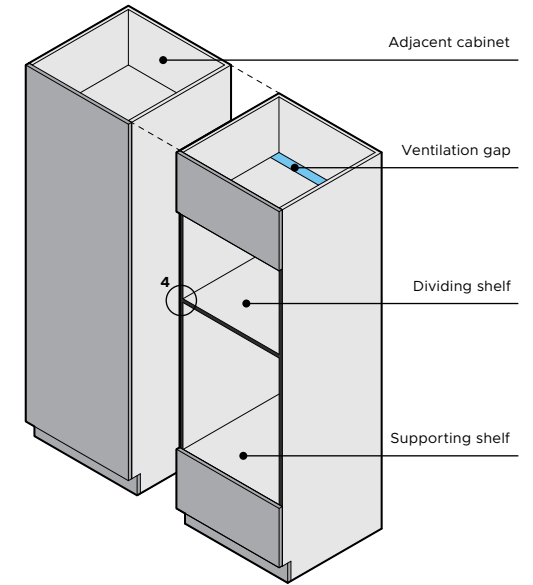
Head to the 'Stack Height' section in this Planning Guide for details.

BLACK CLASHING

Black edge clashing is recommended on all front facing panels and openings at product locations, and on side cabinet panels where a rebated exists.

DIVIDING SHELF

If the appliance front panel is thicker than the cabinetry front panel, adjust the dividing shelf depth to ensure the oven sits flush with the front of the cabinetry.

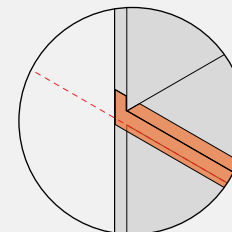


OVEN CABINETS TRIM (OPTIONAL)

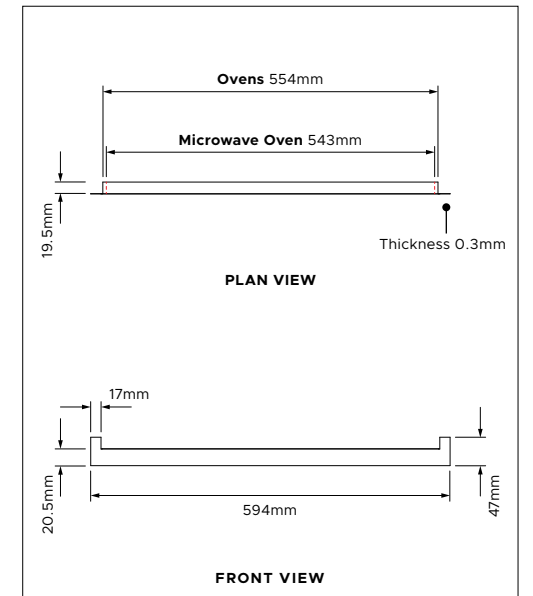
An optional black cabinetry trim is supplied with all ovens.

Prior to installation, check the trim height against dividing or supporting shelves. If required, score and cut the trim to the appropriate height to prevent interference.

Note: Microwave ovens has a different trim width. Ensure the correct trim is used for each appliance.

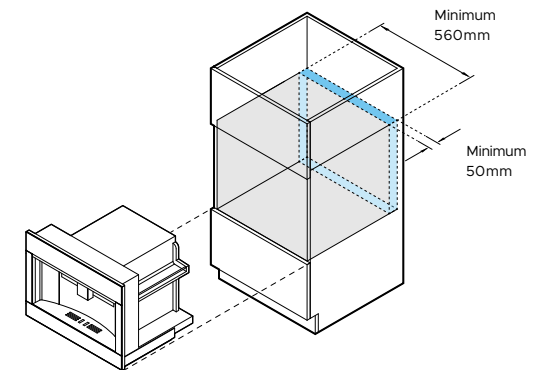
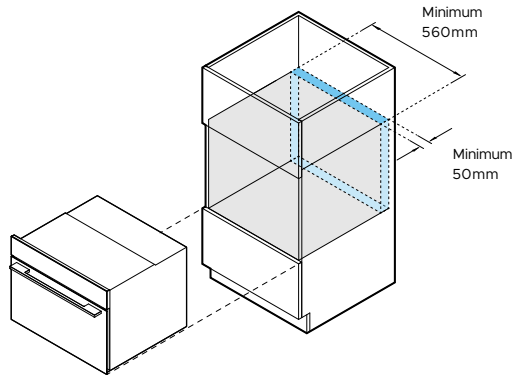
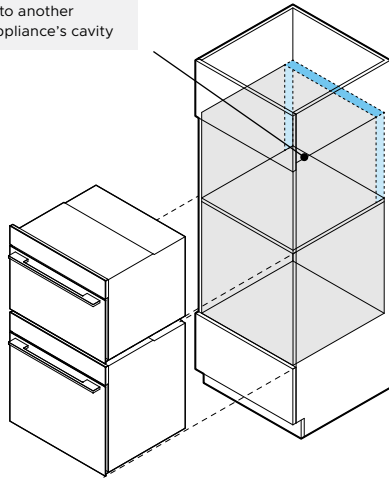


DETAIL 4
ISOMETRIC VIEW



The models shown in this Planning Guide may not be available in all markets and are subject to change at any time. Product specifications may vary from those shown. This Planning Guide should not be used as installation guidance for any product. Further information is required to safely and correctly install the products featured here. Specific installation guidance will be available with the product on delivery and on our website fisherpaykel.com

Do not vent directly into another appliance's cavity



Options for total minimum ventilation area

VENTILATION

Ventilation is required to ensure proper performance of certain products.

Possible Venting Locations:

- Space behind the cabinet
- Upper cavity (not a product cavity)
- Toe kick cavity
- Adjacent cabinetry (not a product cavity)

Cabinet with back panel or installed against a wall:

Select one of the venting locations listed above, providing the required minimum ventilation area.

Cabinet without back panel:

If the cabinet is manufactured without a back panel and is not positioned directly against a wall, the open back will provide sufficient ventilation.

Do not vent directly into another appliance's cavity.

COMPACT MICROWAVE OVEN

OM60NMTB5

VENTILATION PLACEMENT

| | |
|--------------------------------|--|
| Total minimum ventilation area | 280cm ² or 50mm x 560mm |
| Cavity venting options | base, sides, top or back |

BUILT-IN COFFEE MAKER

EB60MSB3

VENTILATION PLACEMENT

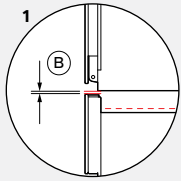
| | |
|--------------------------------|--|
| Total minimum ventilation area | 280cm ² or 50mm x 560mm |
| Cavity venting options | base, sides, top or back |

The models shown in this Planning Guide may not be available in all markets and are subject to change at any time. Product specifications may vary from those shown. This Planning Guide should not be used as installation guidance for any product. Further information is required to safely and correctly install the products featured here. Specific installation guidance will be available with the product on delivery and on our website fisherpaykel.com

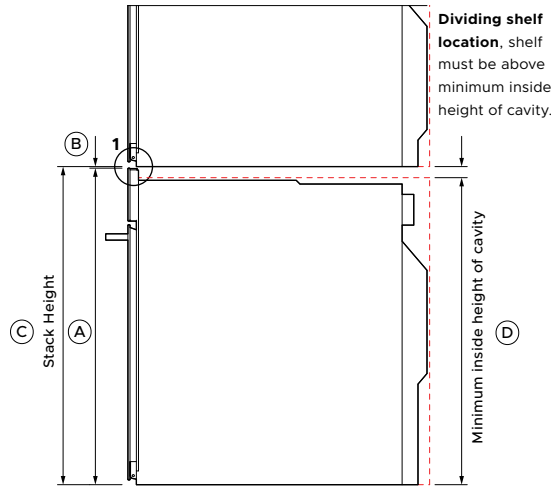
STACK HEIGHT

Stack height is overall product height with minimum clearance above appliance control panel or front panel.

$$\begin{aligned}
 &\text{A Overall product height} \\
 &+ \\
 &\text{B Minimum top clearance above appliance front/custom panel to upper appliance} \\
 &= \\
 &\text{C Stack Height}
 \end{aligned}$$



DETAIL 1
PROFILE VIEW



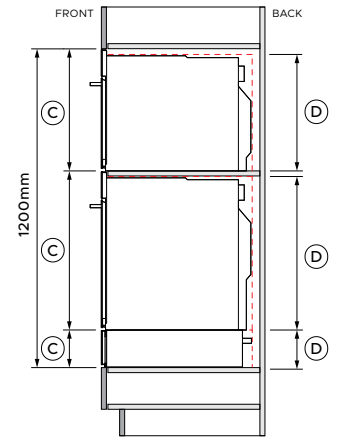
PROFILE VIEW

Ventilation air vent is required at rear of cabinetry for some products.

Dividing shelves are required to support stacked appliances and to achieve correct clearance.

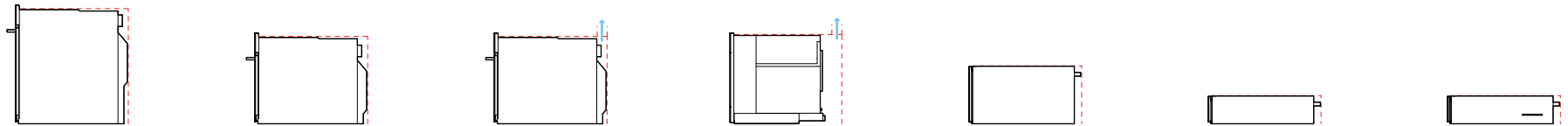
Dividing shelves must be constructed from material that will support the weight of the appliances. Ensure the product is not bearing any weight from cabinetry or products installed above.

Drawers can fully support a 60cm Fisher & Paykel ovens. An intermediate shelf is not required.



EXAMPLE
PROFILE VIEW

MINIMUM INSIDE HEIGHT OF CAVITY

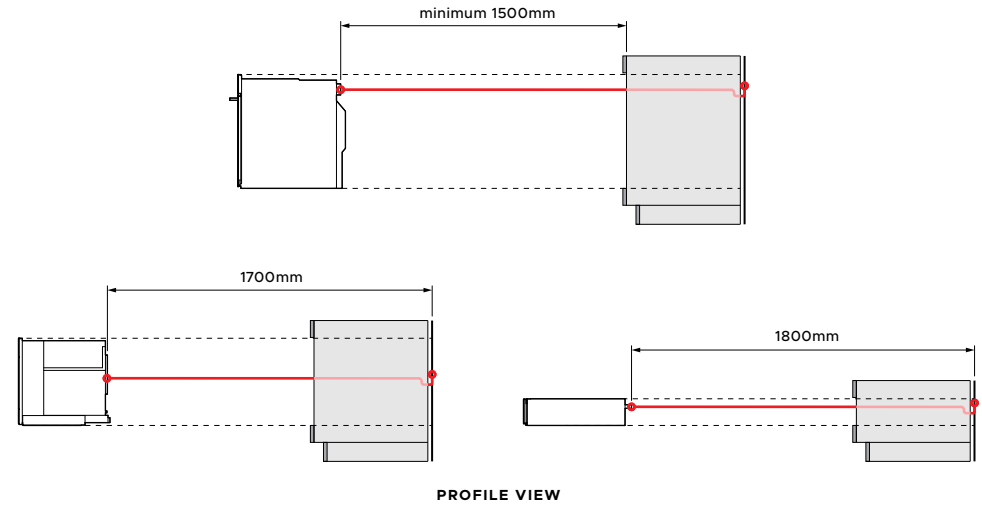
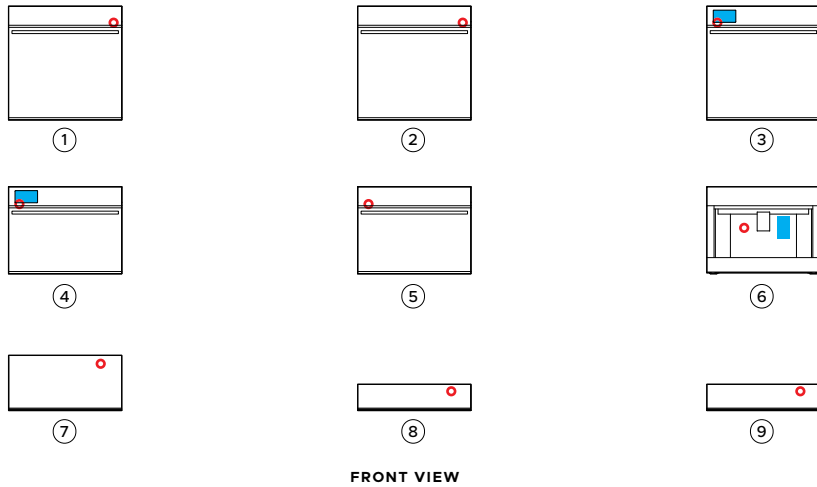


| | PYROLYTIC OVEN OB60SAMPTB5 | COMPACT COMBI-STEAM OVEN OS60NAMVTB5 | COMPACT COMBI-MICROWAVE OVEN OM60NMTB5 | BUILT-IN COFFEE MAKER EB60MSB3 | TALL WARMING DRAWER WB60SMTB3 | WARMING DRAWER WB60SMB3 | VACUUM SEAL DRAWER VB60SMB3 |
|---|---|--|--|--|---|-----------------------------------|---------------------------------------|
| | INTEGRATED TALL WARMING DRAWER WB60SDTEI3 | INTEGRATED WARMING DRAWER WB60SDEI3 | | | | | |
| DIMENSIONS | mm | mm | mm | mm | mm | mm | mm |
| A Overall product height | 598 | 458 | 458 | 458 | 290 | 140 | 140 |
| B Minimum top clearance above appliance front/custom panel | 2 | 2 | 2 | 2 | - | - | - |
| C Stack height | 600 | 460 | 460 | 460 | 290* | 140* | 140* |
| D Minimum cavity height | 580 | 440 | 440 | 450 | 290 | 140 | 140 |

*60cm Fisher & Paykel ovens can be installed directly onto the drawer. An intermediate shelf is not required. Note: Standalone installation of drawers require minimum clearance above, head to 'Data Sheets' section of this Planning Guide for more details.

The models shown in this Planning Guide may not be available in all markets and are subject to change at any time. Product specifications may vary from those shown. This Planning Guide should not be used as installation guidance for any product. Further information is required to safely and correctly install the products featured here. Specific installation guidance will be available with the product on delivery and on our website fisherpaykel.com

SERVICES



CONNECTION

Connections may be located in an adjacent cabinet to either side of the appliance. Ensure power will remain accessible following installation to allow access for any future product maintenance.

POWER CONNECTION WATER TANK LOCATION

HARD-WIRED

The electrician is required to provide a free length of power supply cable extending at least 1500mm in front of the bottom edge of the cavity opening.

For more information on electrical requirements, refer to the Installation Guide.

| | PYROLYTIC OVEN | COMPACT COMBI-STEAM OVEN | COMPACT COMBI-MICROWAVE OVEN | BUILT-IN COFFEE MAKER | TALL WARMING DRAWERS | WARMING DRAWERS | VACUUM SEAL DRAWERS |
|-------------------------|--------------------------|--------------------------|------------------------------|-----------------------|-------------------------|-----------------------|-----------------------|
| SERIES 9 | | | | 6 | 7 | 8 | 9 |
| SERIES 7 | 1 | 4 | 5 | EB60MSB3 | WB60SMTB3 WB60SDTEI3 | WB60SMB3 WB60SDEI3 | VB60SMB3 VB60SDEI3 |
| POWER CONNECTION | | | | | | | |
| Connection | Hard-wired min 1500mm | Hard-wired min 1500mm | Hard-wired min 1500mm | Flex cord 1700mm | Flex cord 1800mm | Flex cord 1800mm | Flex cord 1800mm |
| Location | upper right | upper left | upper left | center left | upper right | upper right | upper right |
| ELECTRICAL | | | | | | | |
| Dedicated Circuit (A) | 16 | 16 | 16 | 10 | 10 | 10 | 10 |
| Rated Power (W) | 2800 - 3300 | 2800 - 3300 | 3350 - 3800 | 1350 | 810 | 810 | 320 |
| Supply (Hz) | 50 | 50 | 50 | 50 | 50 | 50 | 50 |
| Voltage (V) | 220 - 240 | 220 - 240 | 220 - 240 | 220 - 240 | 220 - 240 | 220 - 240 | 220 - 240 |

Note: Multiple product installation requires the design of power outlets according to local regulations.

The models shown in this Planning Guide may not be available in all markets and are subject to change at any time. Product specifications may vary from those shown. This Planning Guide should not be used as installation guidance for any product. Further information is required to safely and correctly install the products featured here. Specific installation guidance will be available with the product on delivery and on our website fisherpaykel.com

