

MODULAR COOKTOPS

PLANNING GUIDE

CI152DTT | CI244DTT | CI304DTT | CI365DTT | CI122D | CI152D | CIT122D |
CIT152D | CG151D | CD5D

FISHER & PAYKEL

This comprehensive planning guide provides you with the framework and tools to achieve your desired design outcome with Fisher & Paykel appliances. In this guide, you will find a range of conceptual, detailed, and dimensional product information to bring your ideas to life and create spaces that truly reflect your vision.

CONTENTS

CONCEPT DESIGN	PAGE	DEVELOPED AND DETAILED DESIGN	PAGE	DEVELOPED AND DETAILED DESIGN	PAGE
Specification Guide	3	Data Sheets	8	Planning Considerations	29
System Overview	4	Primary Induction Cooktop, 15"	9	Installation Overview	30
Primary Modules	5	Primary Induction Cooktop, 24"	10	Combined Installation	31
Auxiliary Modules	6	Primary Induction Cooktop, 30"	11	Typical Configurations with Modular Ventilation	32
		Primary Induction Cooktop, 36"	12	Typical Configurations with Overhead Ventilation	33
		Auxiliary Induction Cooktop, 12"	13	Countertop Details	34
		Auxiliary Teppanyaki Cooktop, 12"	14	Clamping Locations	35
		Auxiliary Induction Cooktop, 15"	15	Cooktop Ventilation	36
		Auxiliary Teppanyaki Cooktop, 15"	16	Installation with Built in Ovens	37
		Gas on Glass Modular Cooktop, 15"	17	Modular Ventilation	38
		Auxiliary Ventilation, 5"	18	Common Ducting Scenarios	39
		Recirculation Kit	22	Duct Length Recommendations	40
				Blowerbox Cabinetry	41
		Product Decisions	24	Electrical Services	42
		Modular System Capabilities	25	Modular Connections	44
		Modular System Options	26		
		Pairing Guide	27		
		Modular Ventilation Capabilities	28		

IMPORTANT NOTE

DO NOT install the cooktop directly above a dishwasher, fridge, freezer, washing machine or clothes dryer, as the humidity may damage the cooktop electronics.

The models shown in this Planning Guide may not be available in all markets and are subject to change at any time. Product specifications may vary from those shown. This Planning Guide should not be used as installation guidance for any product. Further information is required to safely and correctly install the products featured here. Specific installation guidance will be available with the product on delivery and on our website fisherpaykel.com

SPECIFICATION GUIDE



OVERVIEW

Create the ultimate culinary solution with our Series 9 and 11 modular cooktops. Using the different induction, teppan, ventilation and gas modules, you can customize the cooking area at the scale and format best suited to architectural plan and user needs. Fusing precise induction technology with innovative design, these modules are crafted to seamlessly work together for perfect results.

FEATURES

- ① Tailor the cooking space by pairing primary induction cooktop modules with complementary auxiliary cooktops, downdraft ventilation and gas on glass modules.
- ② Control the auxiliary modular suite from the primary cooktop using a large intuitive touchscreen.
- ③ Each module is designed to fit flush or raised with the countertop for complete design freedom.
- ④ SmartHQ™ app connectivity to monitor product and cook status.

- ⑤ Wireless Temperature Sensor precisely monitors and controls cooking in real time, for complete control.*
- ⑥ Poach, Sous Vide and other Cook by Method functions are available on product, when using the Wireless Temperature Sensor.
- ⑦ Gas on Glass is independently controlled via a manual dial for precise and flexible cooking options

* Selected models only.

PRODUCT OVERVIEW

PRIMARY MODULAR INDUCTION COOKTOPS

With touchscreen user interface

CI152DTTB1

Primary Modular Induction Cooktop, 15", 2 Zones with SmartZone

CI244DTTB1

Primary Modular Induction Cooktop, 24", 4 Zones with SmartZone

CI304DTTB1

Primary Modular Induction Cooktop, 30", 4 Zones with SmartZone

CI365DTTB1

Primary Modular Induction Cooktop, 36", 5 Zones with SmartZone

AUXILIARY MODULAR COOKTOPS

No user interface. Controlled via paired primary cooktop.

CI122DB1

Auxiliary Modular Induction Cooktop, 12", 2 Zones with SmartZone

CI152DB1

Auxiliary Modular Induction Cooktop, 15", 2 Zones with SmartZone

CIT122DX1

Auxiliary Modular Teppanyaki Cooktop, 12", 2 Zones

CIT152DX1

Auxiliary Modular Teppanyaki Cooktop, 15", 2 Zones

AUXILIARY MODULAR VENTILATION

No user interface. Controlled via paired primary cooktop.

CD5DB1

Auxiliary Modular Ventilation, 5", Duct Out

GAS ON GLASS MODULAR COOKTOP

Dial control, independently controlled.

CG151DLPGB5

Gas on Glass Modular Cooktop, 15", LPG

CG151DNGB5

Gas on Glass Modular Cooktop, 15", Natural Gas

ACCESSORIES

WTSC1

Wireless Temperature Sensor (1x included per Primary Modular Induction Cooktop. Also available to purchase separately).

OAD225X12

Mainbox Outlet Adapter, 2.25" x 12"

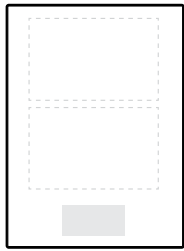
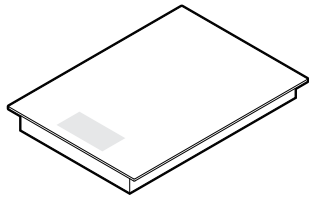
OAB225X12

Blower Outlet Adapter, 2.25" x 12"

KRECIRCDDFT

Recirculation Kit

The models shown in this Planning Guide may not be available in all markets and are subject to change at any time. Product specifications may vary from those shown. This Planning Guide should not be used as installation guidance for any product. Further information is required to safely and correctly install the products featured here. Specific installation guidance will be available with the product on delivery and on our website fisherpaykel.com



**PRIMARY MODULAR INDUCTION COOKTOP, 15",
2 ZONES WITH SMARTZONE**

Model no:
CI152DTTB1

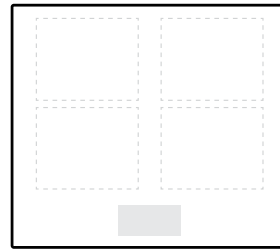
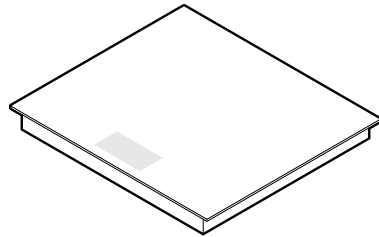


Dimensions	W x D x H	
	in	mm
Product	15 5/32 x 20 7/8 x 2 7/16	385 x 530 x 62
Glass	15 5/32 x 20 7/8 x 1/4	385 x 530 x 6
Proud cutout	13 11/16 x 19 31/32	347 x 507
Flush cutout	13 11/16 x 20 1/32	347 x 509
Flush recess	15 5/16 x 21 1/32 x 1/4	389 x 534 x 6.5

Power Requirements

Supply	208 / 240 V, 60 Hz
Service	15 A
Connection	No plug, flex cord with stripped ends
Power Cable	74 13/16" (1900mm)

Weight 18lb / 8kg



**PRIMARY MODULAR INDUCTION COOKTOP, 24",
4 ZONES WITH SMARTZONE**

Model no:
CI244DTTB1

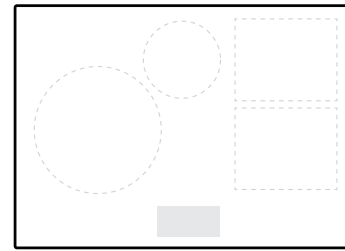
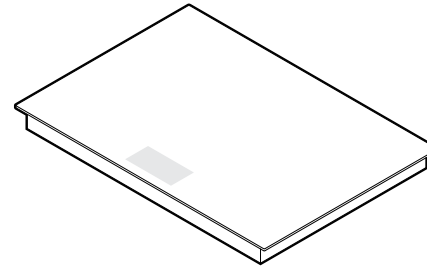


Dimensions	W x D x H	
	in	mm
Product	23 5/8 x 20 7/8 x 3 1/2	600 x 530 x 89
Glass	23 5/8 x 20 7/8 x 1/4	600 x 530 x 6
Proud cutout	22 1/8 x 19 31/32	562 x 507
Flush cutout	22 1/8 x 20 1/32	562 x 509
Flush recess	23 25/32 x 21 1/32 x 1/4	604 x 534 x 6.5

Power Requirements

Supply	208 / 240 V, 60 Hz
Service	30 A
Connection	No plug, flex metal conduit with stripped ends
Power Cable	54 5/16" (1380mm)

Weight 31lb / 14kg



**PRIMARY MODULAR INDUCTION COOKTOP, 30",
4 ZONES WITH SMARTZONE**

Model no:
CI304DTTB1

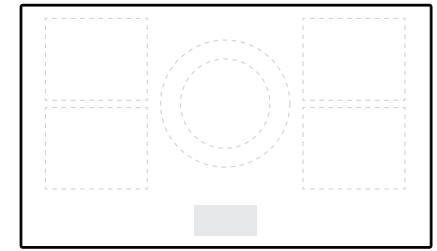
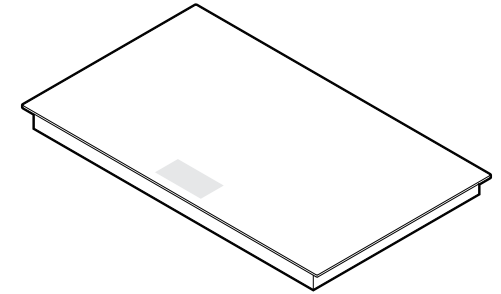


Dimensions	W x D x H	
	in	mm
Product	29 15/16 x 20 7/8 x 3 1/2	760 x 530 x 89
Glass	29 15/16 x 20 7/8 x 1/4	760 x 530 x 6
Proud cutout	28 7/16 x 19 31/32	722 x 507
Flush cutout	28 7/16 x 20 1/32	722 x 509
Flush recess	30 3/32 x 21 1/32 x 1/4	764 x 534 x 6.5

Power Requirements

Supply	208 / 240 V, 60 Hz
Service	30 A
Connection	No plug, flex metal conduit with stripped ends
Power Cable	54 5/16" (1380mm)

Weight 36lb / 16kg



**PRIMARY MODULAR INDUCTION COOKTOP, 36",
5 ZONES WITH SMARTZONE**

Model no:
CI365DTTB1



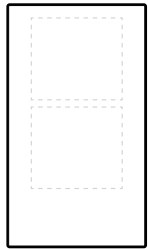
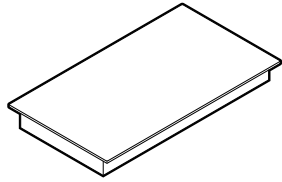
Dimensions	W x D x H	
	in	mm
Product	35 7/16 x 20 7/8 x 3 1/2	900 x 530 x 89
Glass	35 7/16 x 20 7/8 x 1/4	900 x 530 x 6
Proud cutout	33 15/16 x 19 31/32	862 x 507
Flush cutout	33 15/16 x 20 1/32	862 x 509
Flush recess	35 19/32 x 21 1/32 x 1/4	904 x 534 x 6.5

Power Requirements

Supply	208 / 240 V, 60 Hz
Service	45 A
Connection	No plug, flex metal conduit with stripped ends
Power Cable	54 5/16" (1380mm)

Weight 43lb / 20kg

The models shown in this Planning Guide may not be available in all markets and are subject to change at any time. Product specifications may vary from those shown. This Planning Guide should not be used as installation guidance for any product. Further information is required to safely and correctly install the products featured here. Specific installation guidance will be available with the product on delivery and on our website fisherpaykel.com



**AUXILIARY MODULAR INDUCTION COOKTOP, 12",
2 ZONES WITH SMARTZONE**

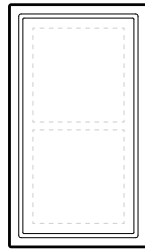
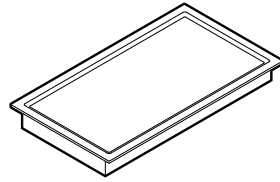
Model no: **C1122DB1** [🔗](#)

Dimensions	W x D x H	
	in	mm
Product	11 13/16 x 20 7/8 x 2 7/16	300 x 530 x 62
Glass	11 13/16 x 20 7/8 x 1/4	300 x 530 x 6
Proud cutout	10 5/16 x 19 31/32	262 x 507
Flush cutout	10 5/16 x 20 1/32	262 x 509
Flush recess	11 31/32 x 21 1/32 x 1/4	304 x 534 x 6.5

Power Requirements

Supply	208 / 240 V, 60 Hz
Service	15 A
Connection	No plug, flex cord with stripped ends
Power Cable	74 13/16" (1900mm)

Weight 15lb / 7kg



**AUXILIARY MODULAR TEPPANYAKI COOKTOP, 12",
2 ZONES**

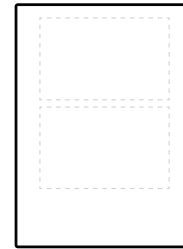
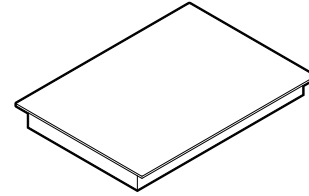
Model no: **C1122DX1** [🔗](#)

Dimensions	W x D x H	
	in	mm
Product	11 13/16 x 20 7/8 x 2 15/16	300 x 530 x 74
Plate	11 13/16 x 20 7/8 x 1/4	300 x 530 x 6
Proud cutout	10 5/16 x 19 31/32	262 x 507
Flush cutout	10 5/16 x 20 1/32	262 x 509
Flush recess	11 31/32 x 21 1/32 x 1/4	304 x 534 x 6.5

Power Requirements

Supply	208 / 240 V, 60 Hz
Service	15 A
Connection	No plug, flex cord with stripped ends
Power Cable	74 13/16" (1900mm)

Weight 27lb / 12kg



**AUXILIARY MODULAR INDUCTION COOKTOP, 15",
2 ZONES WITH SMARTZONE**

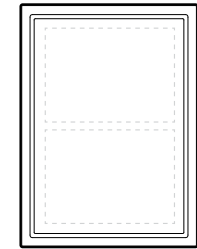
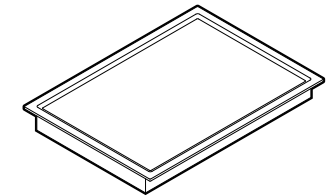
Model no: **C1152DB1** [🔗](#)

Dimensions	W x D x H	
	in	mm
Product	15 5/32 x 20 7/8 x 2 7/16	385 x 530 x 62
Glass	15 5/32 x 20 7/8 x 1/4	385 x 530 x 6
Proud cutout	13 11/16 x 19 31/32	347 x 507
Flush cutout	13 11/16 x 20 1/32	347 x 509
Flush recess	15 5/16 x 21 1/32 x 1/4	389 x 534 x 6.5

Power Requirements

Supply	208 / 240 V, 60 Hz
Service	15 A
Connection	No plug, flex cord with stripped ends
Power Cable	74 13/16" (1900mm)

Weight 18lb / 8kg



**AUXILIARY MODULAR TEPPANYAKI COOKTOP, 15",
2 ZONES**

Model no: **C1152DX1** [🔗](#)

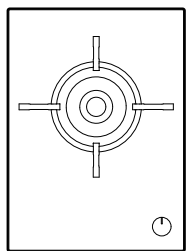
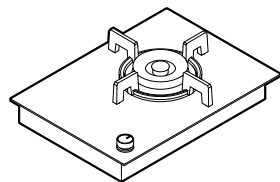
Dimensions	W x D x H	
	in	mm
Product	15 5/32 x 20 7/8 x 2 15/16	385 x 530 x 74
Plate	15 5/32 x 20 7/8 x 1/4	385 x 530 x 6
Proud cutout	13 11/16 x 19 31/32	347 x 507
Flush cutout	13 11/16 x 20 1/32	347 x 509
Flush recess	15 5/16 x 21 1/32 x 1/4	389 x 534 x 6.5

Power Requirements

Supply	208 / 240 V, 60 Hz
Service	15 A
Connection	No plug, flex cord with stripped ends
Power Cable	74 13/16" (1900mm)

Weight 32lb / 15kg

The models shown in this Planning Guide may not be available in all markets and are subject to change at any time. Product specifications may vary from those shown. This Planning Guide should not be used as installation guidance for any product. Further information is required to safely and correctly install the products featured here. Specific installation guidance will be available with the product on delivery and on our website fisherpaykel.com



GAS ON GLASS MODULAR COOKTOP, 15"

Model no:

CG151DLPGB5 LPG

CG151DNGGB5 Natural Gas

Dimensions	W x D x H	
	in	mm
Product (excl. trivets)	15 5/32 x 20 7/8 x 2 9/16	385 x 530 x 65
Glass	15 5/32 x 20 7/8 x 1/4	385 x 530 x 6
Proud cutout	13 11/16 x 19 31/32	347 x 507
Flush cutout	13 11/16 x 20 1/32	347 x 509
Flush recess	15 5/16 x 21 1/32 x 1/4	389 x 534 x 6.5

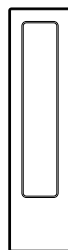
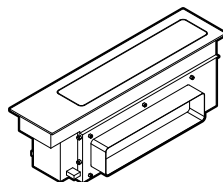
Power Requirements

Supply	120 V, 60 Hz
Service	15 A
Connection	Plug

Gas Requirements

Supply	1/2" BSP minimum internal Ø 10mm flex line
Inlet	1/2" BSP

Weight	18lb / 8kg
---------------	------------



AUXILIARY MODULAR VENTILATION, 5"

Model no:

CD5DB1



Dimensions	W x D x H	
	in	mm
Product	5 1/8 x 20 7/8 x 7 3/8	130 x 530 x 186
Glass	5 1/8 x 20 7/8 x 1/4	130 x 530 x 6
Proud cutout	3 7/8 x 19 31/32	98 x 507
Flush cutout	3 7/8 x 20 1/32	98 x 509
Flush recess	5 9/32 x 21 1/32 x 1/4	134 x 534 x 6.5

Power Requirements

Supply	120 V, 60 Hz
Service	5 A
Connection	Flex cord, 3-pin plug
Power Cable	28" (720mm)

Weight	7lb / 3kg
---------------	-----------

* Must be installed in combined cutout with cooktop

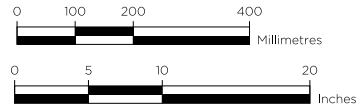
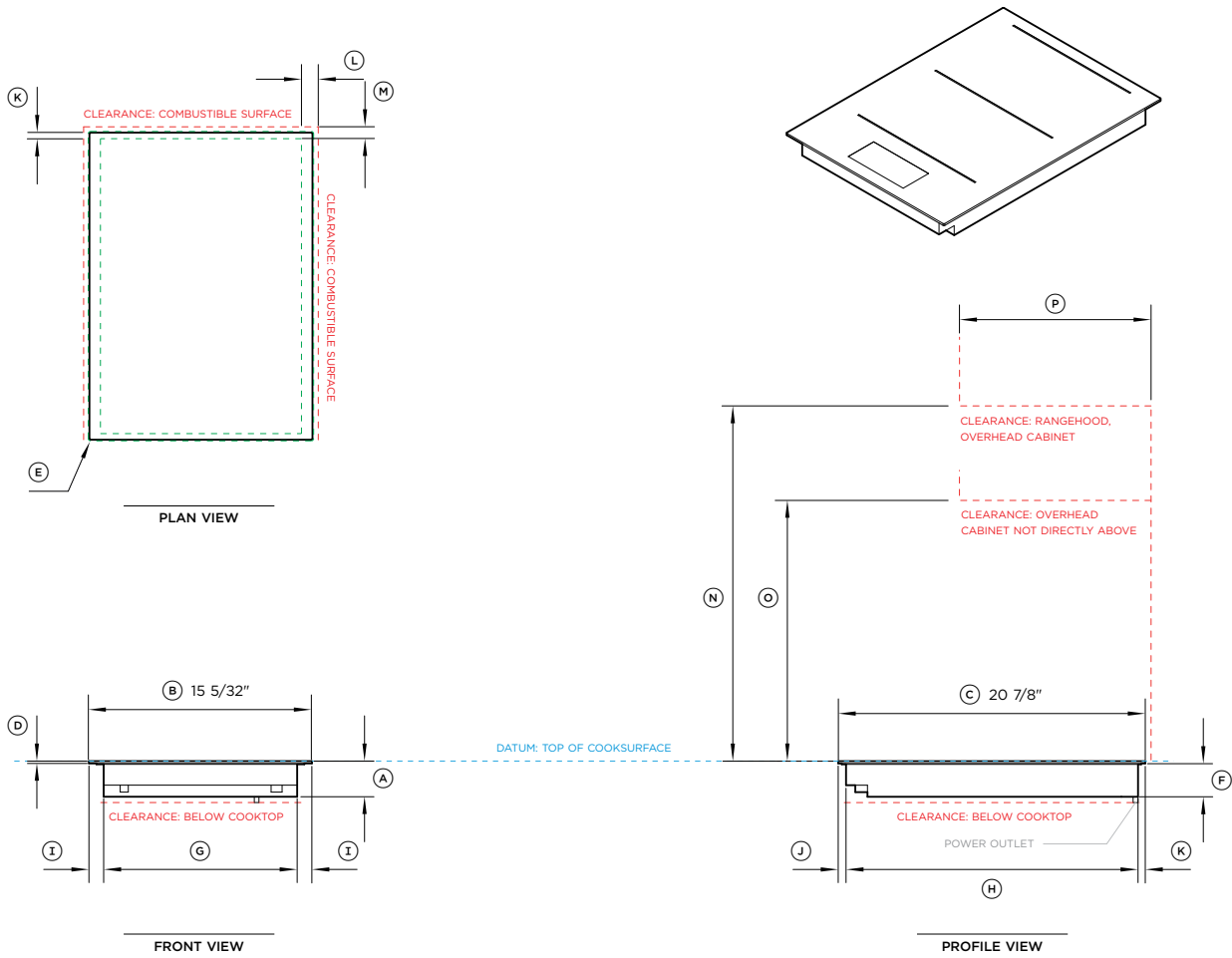
ELECTRICAL SERVICE FOR MULTIPLE PRODUCT INSTALLS

Where multiple products are being installed together, it is possible to use a smaller local distribution board, rather than running multiple separate lines. For example, 2 x 15 A modules can be connected via a single 30 A breaker.

This cooktop must be connected to the mains power supply only by a suitably qualified person.

The models shown in this Planning Guide may not be available in all markets and are subject to change at any time. Product specifications may vary from those shown. This Planning Guide should not be used as installation guidance for any product. Further information is required to safely and correctly install the products featured here. Specific installation guidance will be available with the product on delivery and on our website fisherpaykel.com

DATA SHEETS



INDICATES CABINETRY / PRODUCT DATUM -----
 INDICATES CABINETRY CLEARANCES -----
 INDICATES CUTOUT -----

Model no:
 Primary Modular Induction Cooktop, 15", 2 Zones with SmartZone, Black - CI152DTTB1

Product Dimensions	in	mm
(A) Overall height of cooktop	2 7/16	62
(B) Overall width of cooktop	15 5/32	385
(C) Overall depth of cooktop	20 7/8	530
(D) Height of cooktop glass (includes flange and tape)	1/4	6
(E) Corner radius of glass	1/16	2
(F) Height of chassis	2 3/16	56
(G) Width of chassis	13 1/8	334
(H) Depth of chassis	19 13/16	504
(I) Width from side edges of cooktop to chassis	1	26
(J) Depth from front edge of cooktop to chassis	17/32	13.5
(K) Depth from back edge of cooktop to chassis	1/2	12.5

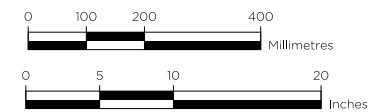
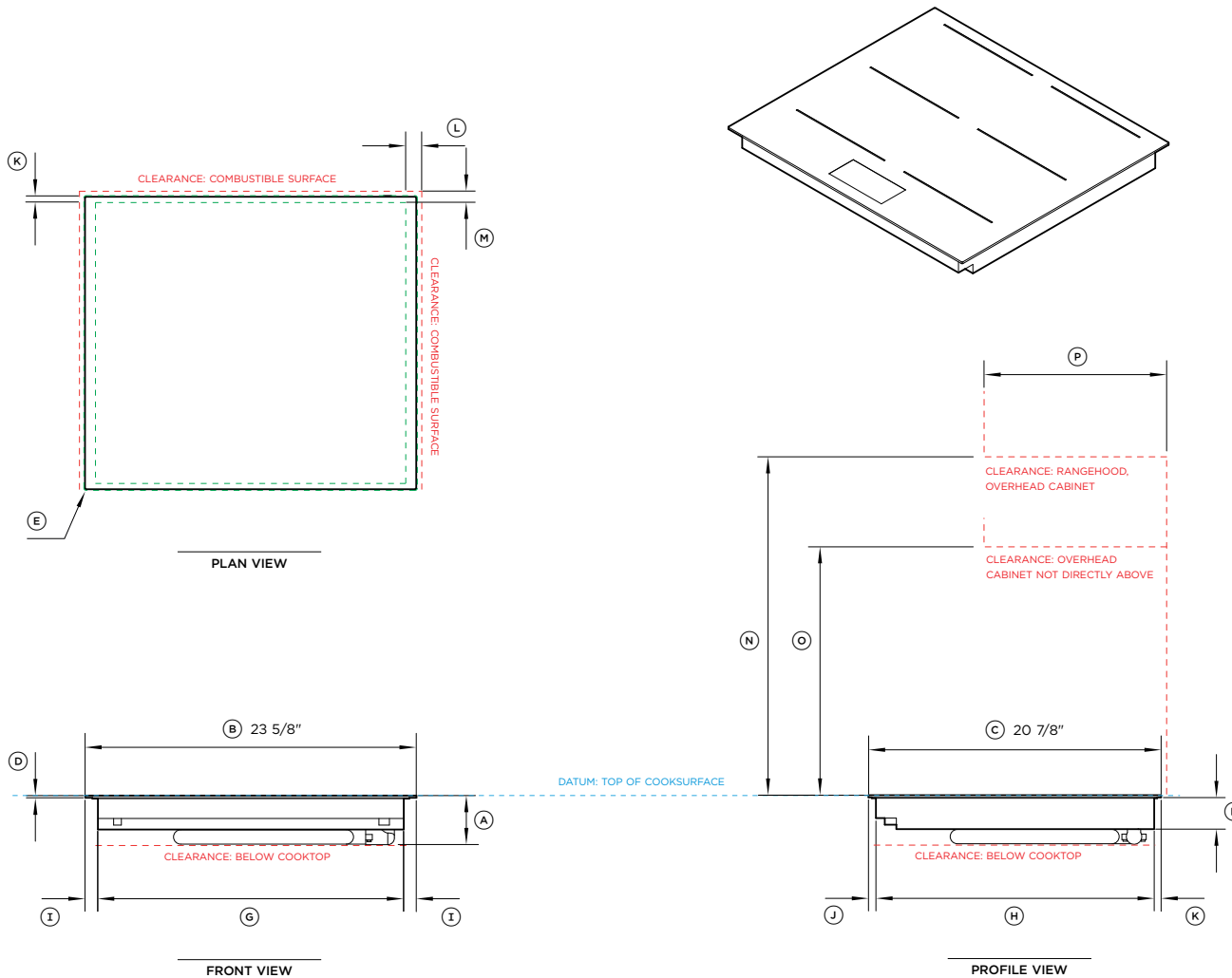
Product Clearances	in	mm
(L) Minimum clearance from side edges of cutout to nearest combustible surface	1 3/16	29
(M) Minimum clearance from rear edge of cutout to nearest combustible surface	7/8	21
(N) Minimum clearance from glass cook surface to: Overhead cabinet centered above the cooktop (unprotected) Overhead cabinet centered above the cooktop (protected) Range hood	24	610
(O) Minimum clearance from glass cook surface to overhead cabinet not directly above cooktop	17 3/4	450
(P) Maximum depth of unprotected overhead cabinets from rear clearance	13	330
Minimum ventilation gap between bottom of countertop and top of cabinetry fronts (not shown)	5/32	4
Minimum clearance from glass cook surface to top of any appliances, companion product or obstruction below cooktop	2 7/8	72

NOTE: The oven installed below the cooktop MUST have a cooling fan. It is important that the induction cooktop receives adequate air supply. For ventilation requirements please refer to the installation manual.

Cutout Dimensions*	Proud in	Proud mm	Flush in	Flush mm
Overall width of cutout	13 11/16	347	13 11/16	347
Overall depth of cutout	19 31/32	507	20 1/32	509
Overall width of recess	-	-	15 5/16	389
Overall depth of recess	-	-	21 1/32	534
Overall height of recess	-	-	1/4	6.5
Recess corner radius	-	-	5/32	4

*Note cutout position is centered to the cooktop.

IMPORTANT NOTE: Throughout this guide, dimensions may vary by ±2mm (1/16"). Please read the installation manual for detailed information on installing the product. For full installation instructions & specifications visit fisherpaykel.com



INDICATES CABINETRY / PRODUCT DATUM -----
 INDICATES CABINETRY CLEARANCES -----
 INDICATES CUTOUT -----

Model no:

Primary Modular Induction Cooktop, 24", 4 Zones with SmartZone, Black - CI244DTTB1

Product Dimensions	in	mm
(A) Overall height of cooktop	3 1/2	89
(B) Overall width of cooktop	23 5/8	600
(C) Overall depth of cooktop	20 7/8	530
(D) Height of cooktop glass (includes flange and tape)	1/4	6
(E) Corner radius of glass	1/16	2
(F) Height of chassis	2 3/16	56
(G) Width of chassis	21 13/16	554
(H) Depth of chassis	19 13/16	504
(I) Width from side edges of cooktop to chassis	1	23
(J) Depth from front edge of cooktop to chassis	17/32	13.5
(K) Depth from back edge of cooktop to chassis	1/2	12.5

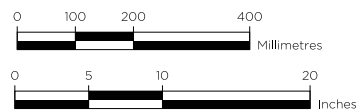
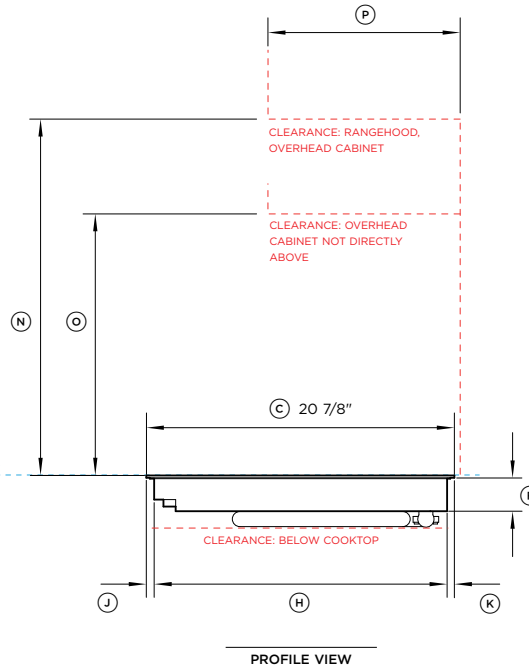
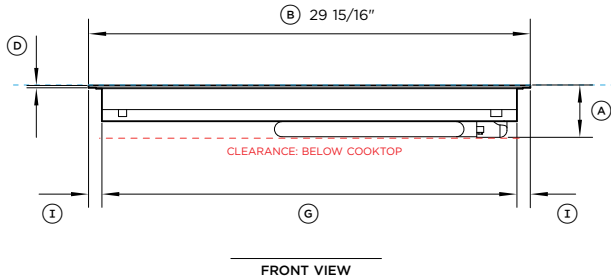
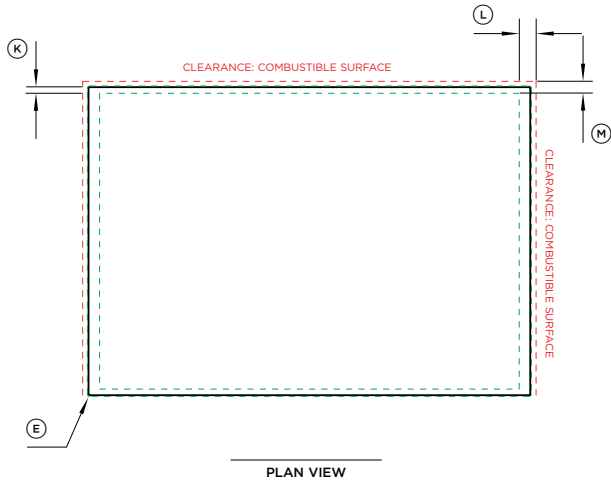
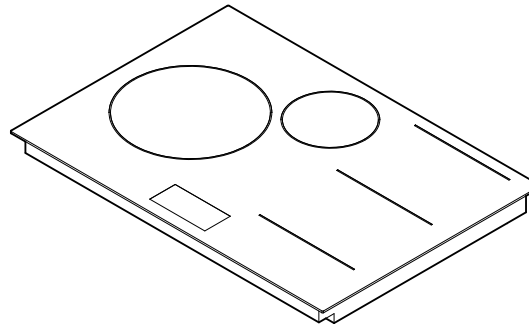
Product Clearances	in	mm
(L) Minimum clearance from side edges of cutout to nearest combustible surface	1 3/16	29
(M) Minimum clearance from rear edge of cutout to nearest combustible surface	7/8	21
(N) Minimum clearance from glass cook surface to: Overhead cabinet centered above the cooktop (unprotected) Overhead cabinet centered above the cooktop (protected) Range hood	24	610
(O) Minimum clearance from glass cook surface to overhead cabinet not directly above cooktop	17 3/4	450
Minimum ventilation gap between bottom of countertop and top of cabinetry fronts (not shown)	5/32	4
Minimum clearance from glass cook surface to top of any appliances, companion product or obstruction below cooktop	3 5/8	91

NOTE: The oven installed below the cooktop MUST have a cooling fan. It is important that the induction cooktop receives adequate air supply. For ventilation requirements please refer to the installation manual.

Cutout Dimensions*	proud in	proud mm	flush in	flush mm
Overall width of cutout	22 1/8	562	22 1/8	562
Overall depth of cutout	19 31/32	507	20 1/32	509
Overall width of recess	-	-	23 25/32	604
Overall depth of recess	-	-	21 1/32	534
Overall height of recess	-	-	1/4	6.5
Recess corner radius	-	-	5/32	4

*Note cutout position is centered to the cooktop.

IMPORTANT NOTE: Throughout this guide, dimensions may vary by ±2mm (1/16"). Please read the installation manual for detailed information on installing the product. For full installation instructions & specifications visit fisherpaykel.com



INDICATES CABINETRY / PRODUCT DATUM -----

INDICATES CABINETRY CLEARANCES -----

INDICATES CUTOUT -----

Model no:

Primary Modular Induction Cooktop, 30", 4 Zones with SmartZone, Black - CI304DTTB1

Product Dimensions	in	mm
A Overall height of cooktop	3 1/2	89
B Overall width of cooktop	29 15/16	760
C Overall depth of cooktop	20 7/8	530
D Height of cooktop glass (includes flange and tape)	1/4	6
E Corner radius of glass	1/16	2
F Height of chassis	2 3/16	56
G Width of chassis	28 1/8	714
H Depth of chassis	19 13/16	504
I Width from side edges of cooktop to chassis	1	23
J Depth from front edge of cooktop to chassis	17/32	14
K Depth from back edge of cooktop to chassis	1/2	13

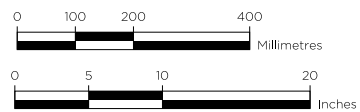
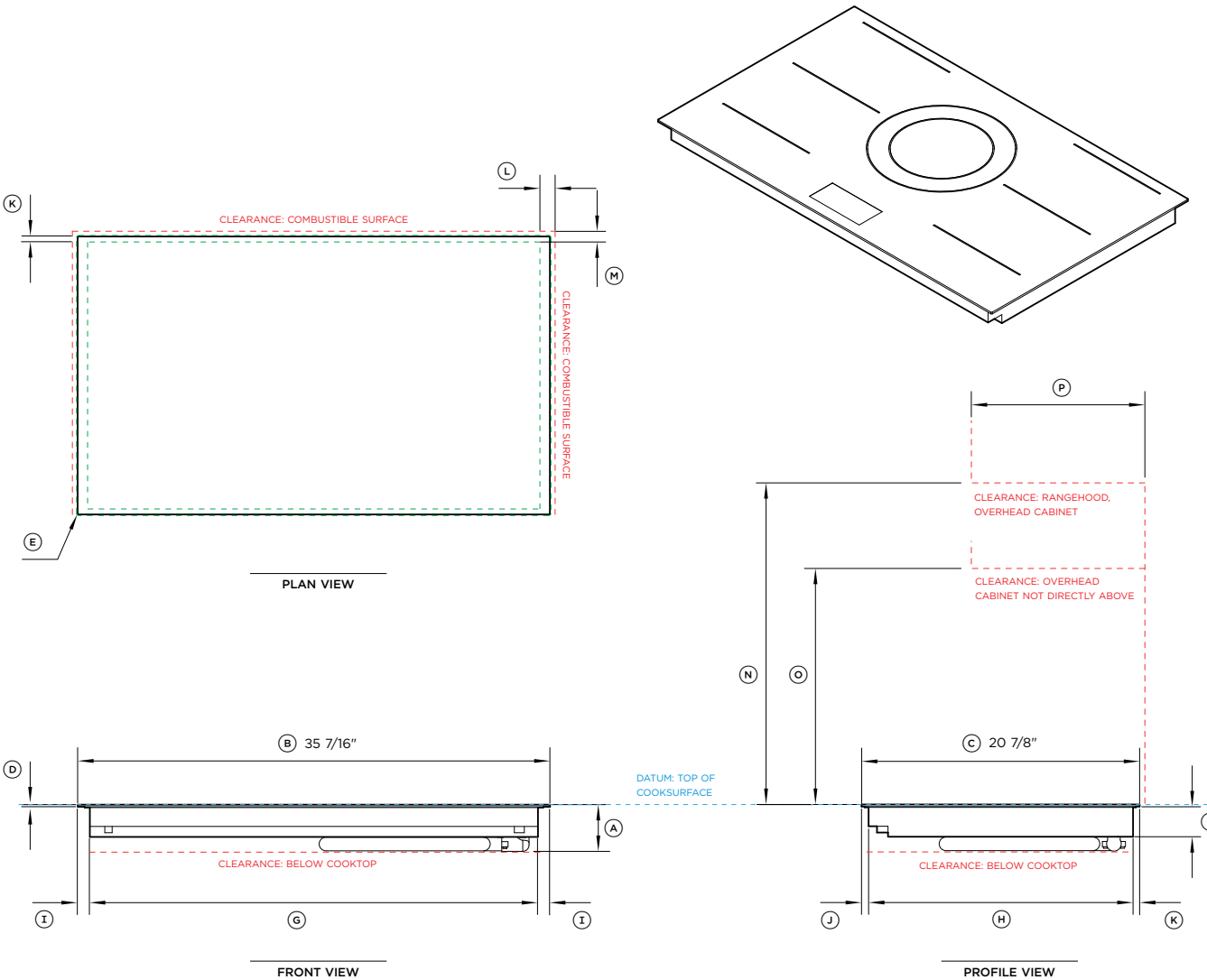
Product Clearances	in	mm
L Minimum clearance from side edges of cutout to nearest combustible surface	1 3/16	29
M Minimum clearance from rear edge of cutout to nearest combustible surface	7/8	21
N Minimum clearance from glass cook surface to: Overhead cabinet centered above the cooktop (unprotected) Overhead cabinet centered above the cooktop (protected) Range hood	24	610
O Minimum clearance from glass cook surface to overhead cabinet not directly above cooktop	17 3/4	450
Minimum ventilation gap between bottom of countertop and top of cabinetry fronts (not shown)	5/32	4
Minimum clearance from glass cook surface to top of any appliances, companion product or obstruction below cooktop	3 5/8	91

NOTE: The oven installed below the cooktop MUST have a cooling fan. It is important that the induction cooktop receives adequate air supply. For ventilation requirements please refer to the installation manual.

Cutout Dimensions*	proud in	proud mm	flush in	flush mm
Overall width of cutout	28 7/16	722	28 7/16	722
Overall depth of cutout	19 31/32	507	20 1/32	509
Overall width of recess	-	-	30 3/32	764
Overall depth of recess	-	-	21 1/32	534
Overall height of recess	-	-	1/4	6.5
Recess corner radius	-	-	5/32	4

*Note cutout position is centered to the cooktop.

IMPORTANT NOTE: Throughout this guide, dimensions may vary by ±2mm (1/16"). Please read the installation manual for detailed information on installing the product. For full installation instructions & specifications visit fisherpaykel.com



INDICATES CABINETRY / PRODUCT DATUM -----
 INDICATES CABINETRY CLEARANCES - - - - -
 INDICATES CUTOUT - - - - -

Model no:

Primary Modular Induction Cooktop, 36", 5 Zones with SmartZone, Black - CI365DTTB1

Product Dimensions	in	mm
(A) Overall height of cooktop	3 1/2	89
(B) Overall width of cooktop	35 7/16	900
(C) Overall depth of cooktop	20 7/8	530
(D) Height of cooktop glass (includes flange and tape)	1/4	6
(E) Corner radius of glass	1/16	2
(F) Height of chassis	2 3/16	56
(G) Width of chassis	33 5/8	854
(H) Depth of chassis	19 13/16	504
(I) Width from side edges of cooktop to chassis	1	23
(J) Depth from front edge of cooktop to chassis	17/32	14
(K) Depth from back edge of cooktop to chassis	1/2	13

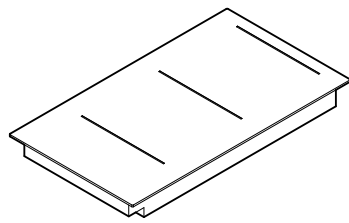
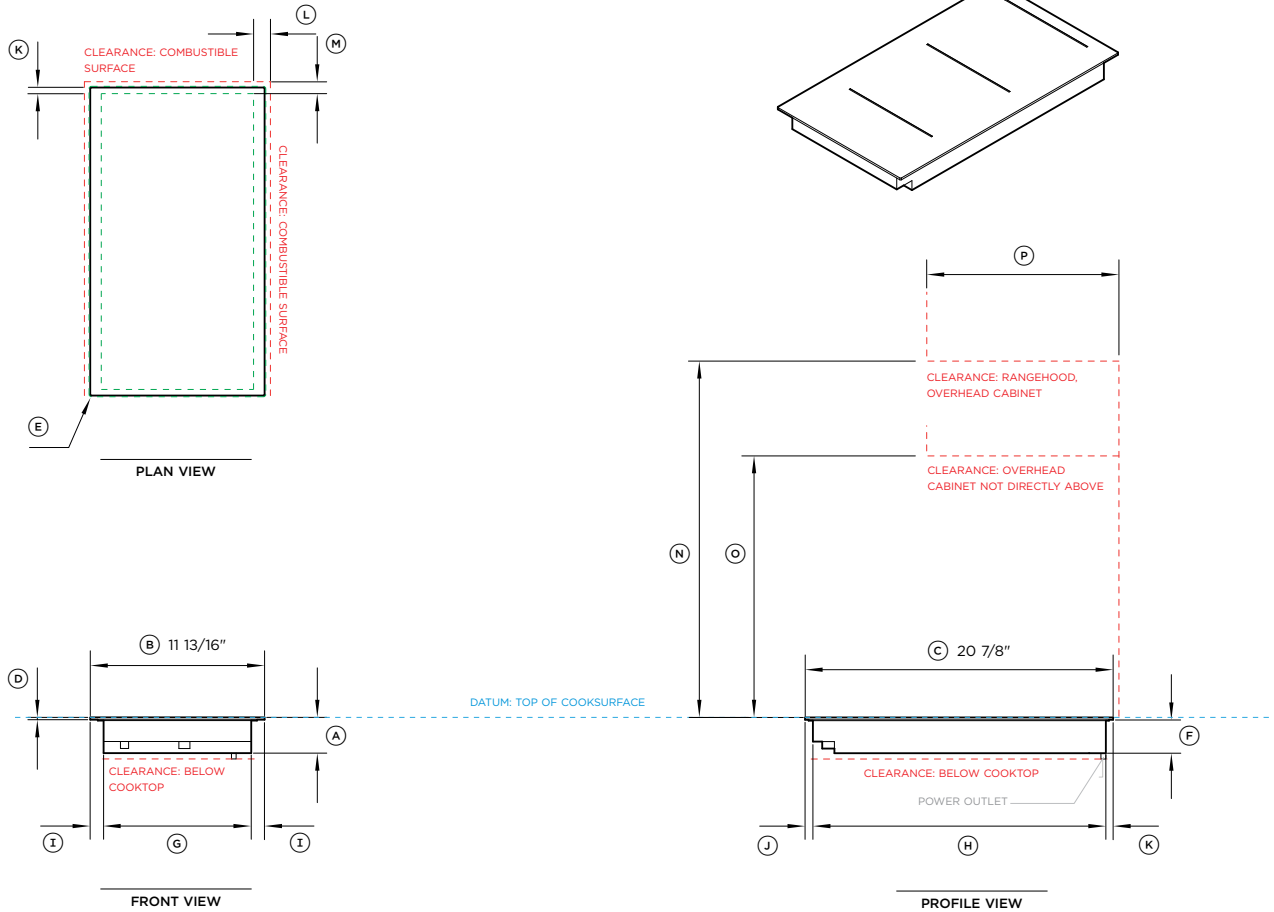
Product Clearances	in	mm
(L) Minimum clearance from side edges of cutout to nearest combustible surface	1 3/16	29
(M) Minimum clearance from rear edge of cutout to nearest combustible surface	7/8	21
(N) Minimum clearance from glass cook surface to: Overhead cabinet centered above the cooktop (unprotected) Overhead cabinet centered above the cooktop (protected) Range hood	24	610
(O) Minimum clearance from glass cook surface to overhead cabinet not directly above cooktop	17 3/4	450
Minimum ventilation gap between bottom of countertop and top of cabinetry fronts (not shown)	5/32	4
Minimum clearance from glass cook surface to top of any appliances, companion product or obstruction below cooktop	3 5/8	91

NOTE: The oven installed below the cooktop MUST have a cooling fan. It is important that the induction cooktop receives adequate air supply. For ventilation requirements please refer to the installation manual.

Cutout Dimensions*	proud in	proud mm	flush in	flush mm
Overall width of cutout	33 15/16	862	33 15/16	862
Overall depth of cutout	19 31/32	507	20 1/32	509
Overall width of recess	-	-	35 19/32	904
Overall depth of recess	-	-	21 1/32	534
Overall height of recess	-	-	1/4	6.5
Recess corner radius	-	-	5/32	4

*Note cutout position is centered to the cooktop.

IMPORTANT NOTE: Throughout this guide, dimensions may vary by ±2mm (1/16"). Please read the installation manual for detailed information on installing the product. For full installation instructions & specifications visit fisherpaykel.com



Model no:

Auxiliary Modular Induction Cooktop, 12", 2 Zones with SmartZone, Black - CI122DB1

Product Dimensions	in	mm
(A) Overall height of cooktop	2 7/16	62
(B) Overall width of cooktop	11 13/16	300
(C) Overall depth of cooktop	20 7/8	530
(D) Height of cooktop glass (includes flange and tape)	1/4	6
(E) Corner radius of glass	1/16	2
(F) Height of chassis	2 3/16	56
(G) Width of chassis	10	254
(H) Depth of chassis	19 13/16	504
(I) Width from side edges of cooktop to chassis	1	26
(J) Depth from front edge of cooktop to chassis	17/32	13.5
(K) Depth from back edge of cooktop to chassis	1/2	12.5

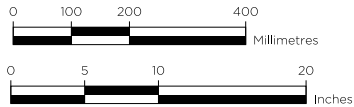
Product Clearances	in	mm
(L) Minimum clearance from side edges of cutout to nearest combustible surface	1 3/16	29
(M) Minimum clearance from rear edge of cutout to nearest combustible surface	7/8	21
(N) Minimum clearance from glass cook surface to: Overhead cabinet centered above the cooktop (unprotected) Overhead cabinet centered above the cooktop (protected) Range hood	24	610
(O) Minimum clearance from glass cook surface to overhead cabinet not directly above cooktop	17 3/4	450
Minimum ventilation gap between bottom of countertop and top of cabinetry fronts (not shown)	5/32	4
Minimum clearance from glass cook surface to top of any appliances, companion product or obstruction below cooktop	2 7/8	72

NOTE: The oven installed below the cooktop MUST have a cooling fan. It is important that the induction cooktop receives adequate air supply. For ventilation requirements please refer to the installation manual.

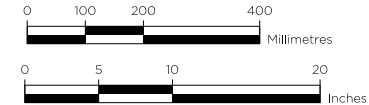
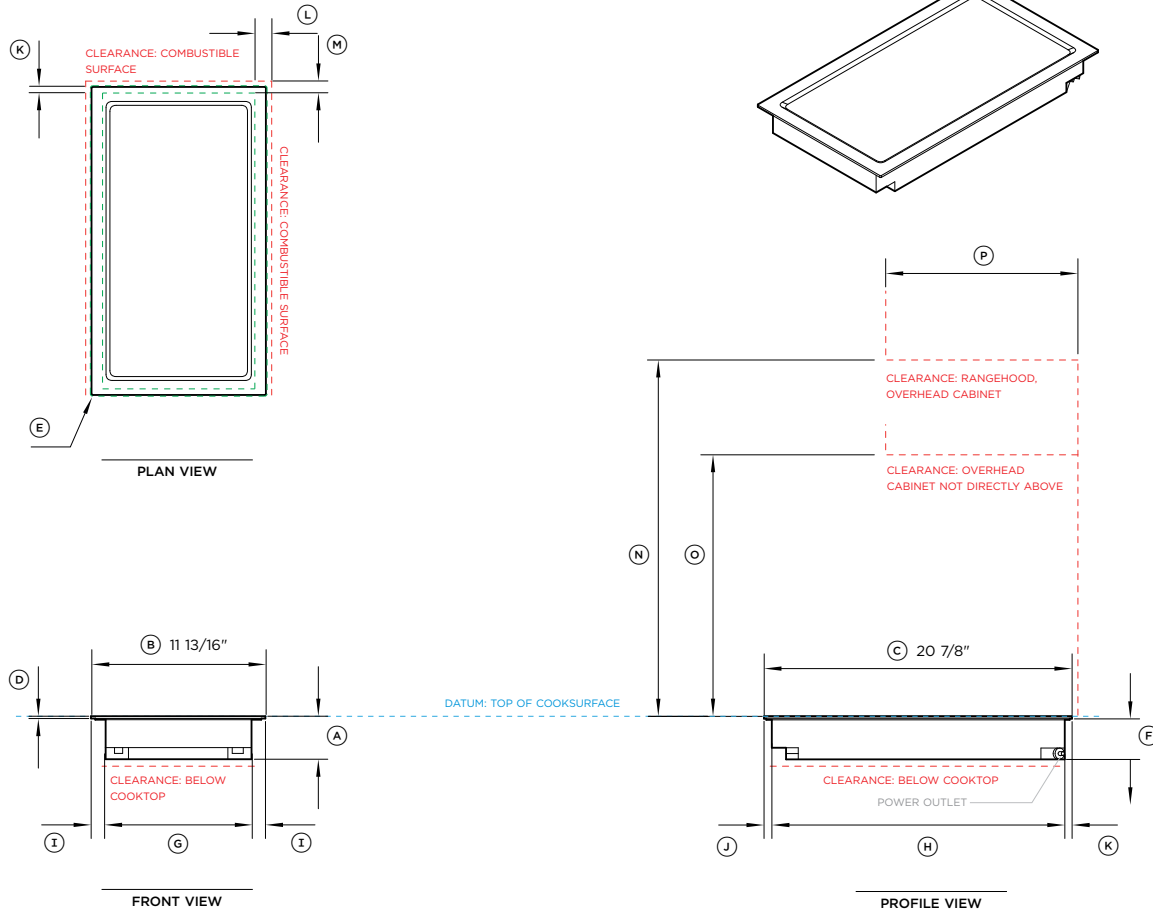
Cutout Dimensions*	proud in	proud mm	flush in	flush mm
Overall width of cutout	10 5/16	262	10 5/16	262
Overall depth of cutout	19 31/32	507	20 1/32	509
Overall width of recess	-	-	15 5/16	389
Overall depth of recess	-	-	21 1/32	534
Overall height of recess	-	-	1/4	6.5
Recess corner radius	-	-	5/32	4

*Note cutout position is centered to the cooktop.

IMPORTANT NOTE: Throughout this guide, dimensions may vary by ±2mm (1/16"). Please read the installation manual for detailed information on installing the product. For full installation instructions & specifications visit fisherpaykel.com



INDICATES CABINERY / PRODUCT DATUM -----
 INDICATES CABINERY CLEARANCES - - - - -
 INDICATES CUTOUT - - - - -



INDICATES CABINETRY / PRODUCT DATUM -----
 INDICATES CABINETRY CLEARANCES -----
 INDICATES CUTOUT -----

Model no:

Auxiliary Modular Teppanyaki Cooktop 12", 2 Zones - CIT122DX1

Product Dimensions	in	mm
(A) Overall height of cooktop	2 15/16	74
(B) Overall width of cooktop	11 13/16	300
(C) Overall depth of cooktop	20 7/8	530
(D) Height of stainless steel cook plate (includes flange and tape)	1/4	6
(E) Corner radius of stainless steel cook plate	1/16	2
(F) Height of chassis	2 11/16	68
(G) Width of chassis	9 7/8	251
(H) Depth of chassis	19 13/16	504
(I) Width from side edges of cooktop to chassis	1	24.5
(J) Depth from front edge of cooktop to chassis	17/32	13.5
(K) Depth from back edge of cooktop to chassis	1/2	12.5

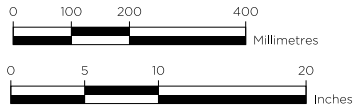
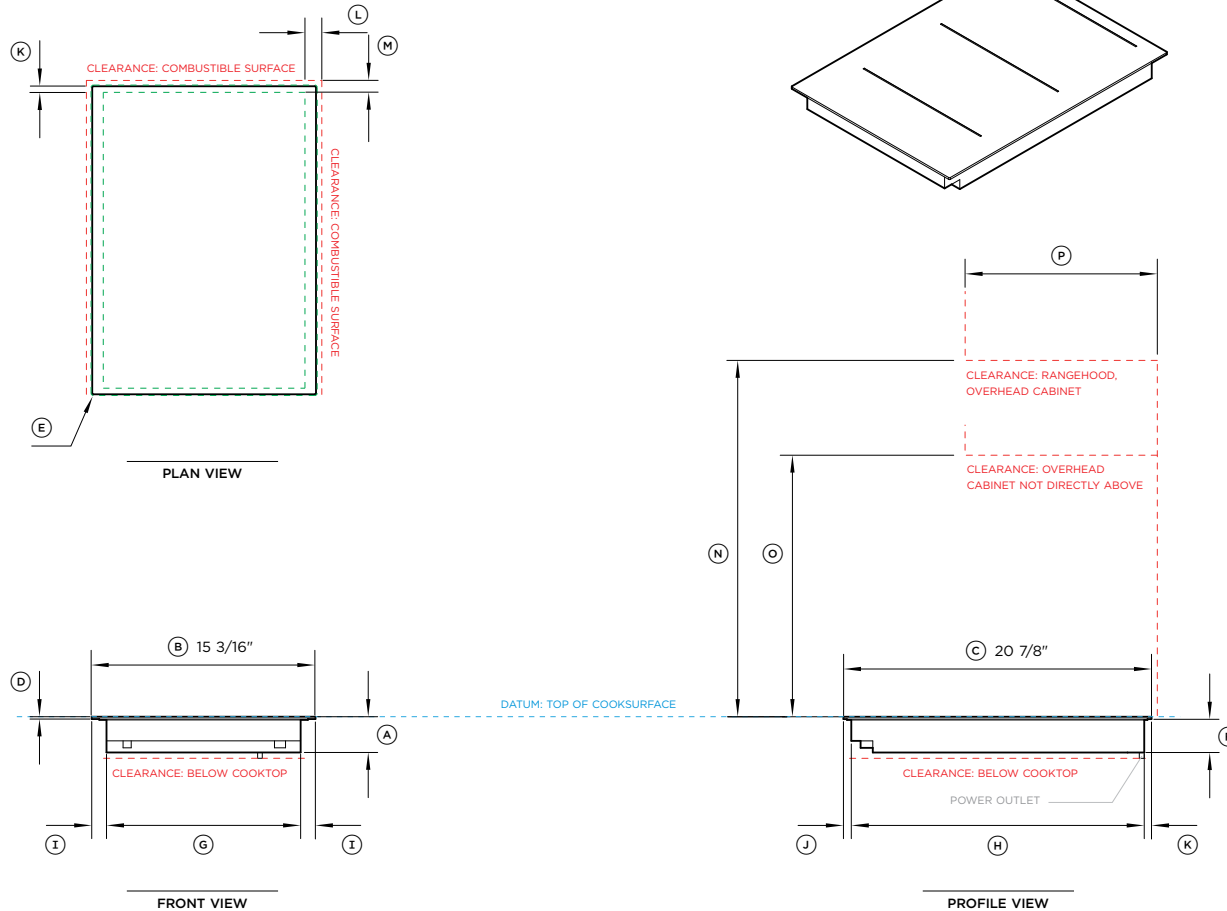
Product Clearances	in	mm
(L) Minimum clearance from side edges of cutout to nearest combustible surface	1 3/16	29
(M) Minimum clearance from rear edge of cutout to nearest combustible surface	7/8	21
(N) Minimum clearance from stainless steel cook surface to: Overhead cabinet centered above the cooktop (unprotected) Overhead cabinet centered above the cooktop (protected) Range hood	24	610
(O) Minimum clearance from cook surface to overhead cabinet not directly above cooktop	17 3/4	450
Minimum ventilation gap between bottom of countertop and top of cabinetry fronts (not shown)	5/32	4
Minimum clearance from cook surface to top of any appliances, companion product or obstruction below cooktop	3 3/8	86

NOTE: The oven installed below the cooktop MUST have a cooling fan. It is important that the induction cooktop receives adequate air supply. For ventilation requirements please refer to the installation manual.

Cutout Dimensions*	proud in	proud mm	flush in	flush mm
Overall width of cutout	10 5/16	262	10 5/16	262
Overall depth of cutout	19 31/32	507	20 1/32	509
Overall width of recess	-	-	15 5/16	389
Overall depth of recess	-	-	21 1/32	534
Overall height of recess	-	-	1/4	6.5
Recess corner radius	-	-	5/32	4

*Note cutout position is centered to the cooktop.

IMPORTANT NOTE: Throughout this guide, dimensions may vary by ±2mm (1/16"). Please read the installation manual for detailed information on installing the product. For full installation instructions & specifications visit fisherpaykel.com



INDICATES CABINETRY / PRODUCT DATUM
INDICATES CABINETRY CLEARANCES
INDICATES CUTOUT

Model no:

Auxiliary Modular Induction Cooktop, 15", 2 Zones with SmartZone, Black - CI152DB1

Product Dimensions	in	mm
A Overall height of cooktop	2 7/16	62
B Overall width of cooktop	15 5/32	385
C Overall depth of cooktop	20 7/8	530
D Height of cooktop glass (includes flange and tape)	1/4	6
E Corner radius of stainless steel	1/16	2
F Height of chassis	2 3/16	56
G Width of chassis	13 1/8	334
H Depth of chassis	19 13/16	504
I Width from side edges of cooktop to chassis	1	26
J Depth from front edge of cooktop to chassis	17/32	13.5
K Depth from back edge of cooktop to chassis	1/2	12.5

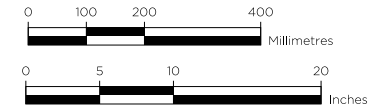
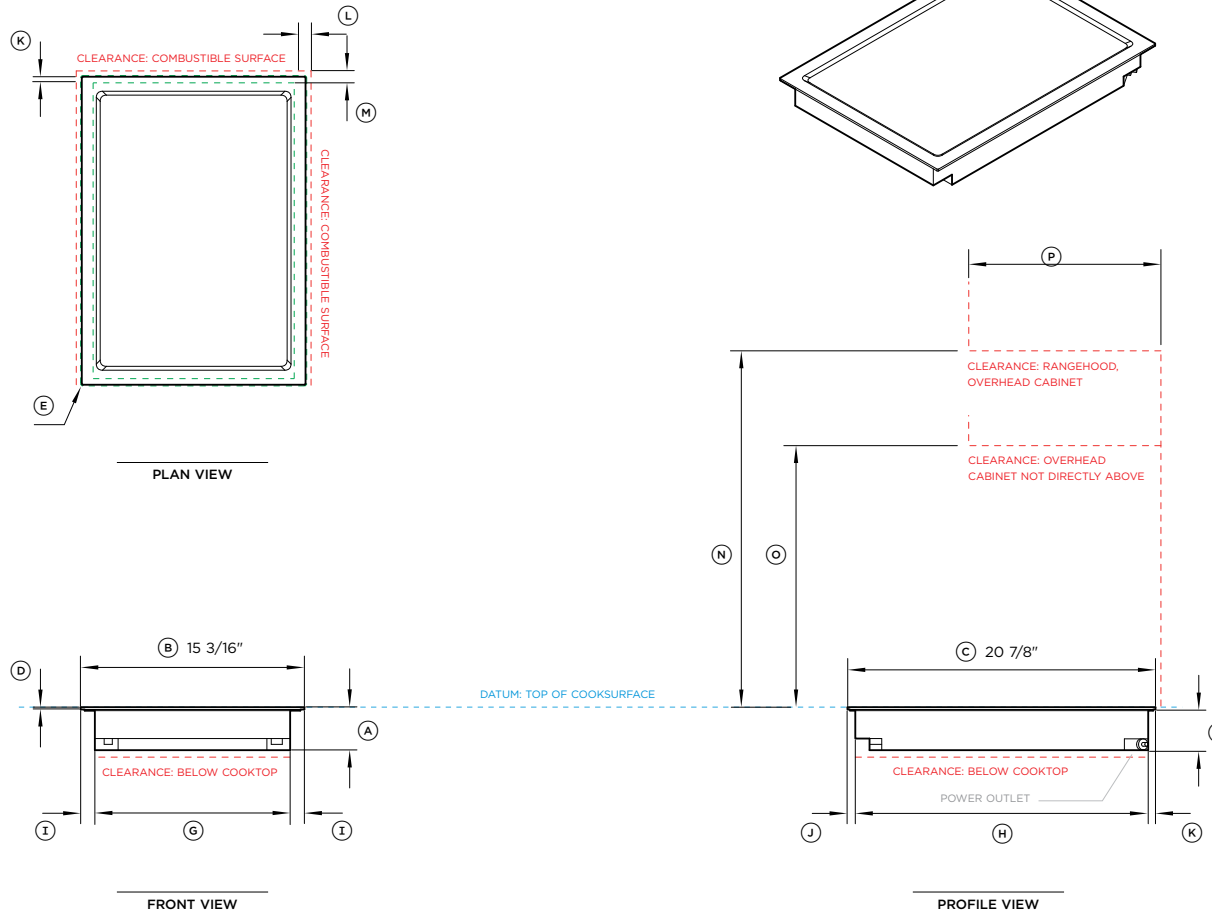
Product Clearances	in	mm
L Minimum clearance from side edges of cutout to nearest combustible surface	1 3/16	29
M Minimum clearance from rear edge of cutout to nearest combustible surface	7/8	21
N Minimum clearance from glass cook surface to: Overhead cabinet centered above the cooktop (unprotected) Overhead cabinet centered above the cooktop (protected) Range hood	24	610
O Minimum clearance from glass cook surface to overhead cabinet not directly above cooktop	17 3/4	450
Minimum ventilation gap between bottom of countertop and top of cabinetry fronts (not shown)	5/32	4
Minimum clearance from glass cook surface to top of any appliances, companion product or obstruction below cooktop	2 7/8	72

NOTE: The oven installed below the cooktop MUST have a cooling fan. It is important that the induction cooktop receives adequate air supply. For ventilation requirements please refer to the installation manual.

Cutout Dimensions*	proud in	proud mm	flush in	flush mm
Overall width of cutout	13 11/16	347	13 11/16	347
Overall depth of cutout	19 31/32	507	20 1/32	509
Overall width of recess	-	-	15 5/16	389
Overall depth of recess	-	-	21 1/32	534
Overall height of recess	-	-	1/4	6.5
Recess corner radius	-	-	5/32	4

*Note cutout position is centered to the cooktop.

IMPORTANT NOTE: Throughout this guide, dimensions may vary by ±2mm (1/16"). Please read the installation manual for detailed information on installing the product. For full installation instructions & specifications visit fisherpaykel.com



INDICATES CABINETRY / PRODUCT DATUM -----
 INDICATES CABINETRY CLEARANCES -----
 INDICATES CUTOUT -----

Model no:

Auxiliary Modular Teppanyaki Cooktop 15", 2 Zones - CIT152DX1

Product Dimensions	in	mm
(A) Overall height of cooktop	2 15/16	74
(B) Overall width of cooktop	15 5/32	385
(C) Overall depth of cooktop	20 7/8	530
(D) Height of stainless steel cook plate (includes flange and tape)	1/4	6
(E) Corner radius of stainless steel cook plate	1/16	2
(F) Height of chassis	2 11/16	68
(G) Width of chassis	13 1/8	336
(H) Depth of chassis	19 7/8	504
(I) Width from side edges of cooktop to chassis	1	26
(J) Depth from front edge of cooktop to chassis	17/32	13.5
(K) Depth from back edge of cooktop to chassis	1/2	12.5

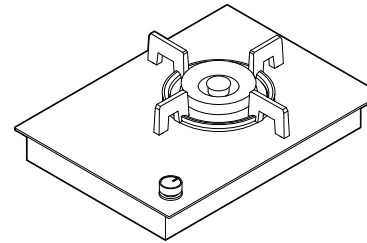
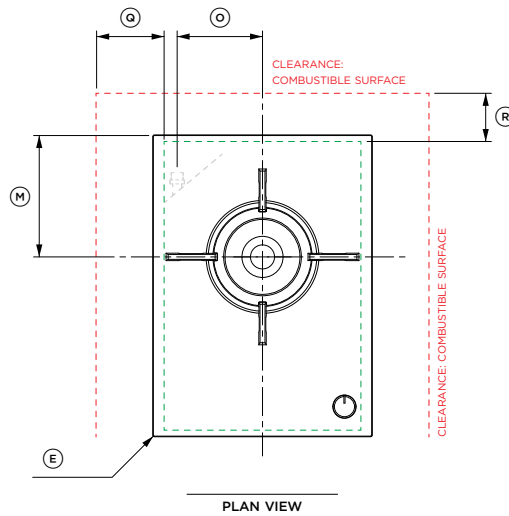
Product Clearances	in	mm
(L) Minimum clearance from side edges of cutout to nearest combustible surface	1 3/16	29
(M) Minimum clearance from rear edge of cutout to nearest combustible surface	7/8	21
(N) Minimum clearance from stainless steel cook surface to: Overhead cabinet centered above the cooktop (unprotected) Overhead cabinet centered above the cooktop (protected) Range hood	24	610
(O) Minimum clearance from cook surface to overhead cabinet not directly above cooktop	17 3/4	450
Minimum ventilation gap between bottom of countertop and top of cabinetry fronts (not shown)	5/32	4
Minimum clearance from cook surface to top of any appliances, companion product or obstruction below cooktop	3 3/8	86

NOTE: The oven installed below the cooktop MUST have a cooling fan. It is important that the induction cooktop receives adequate air supply. For ventilation requirements please refer to the installation manual.

Cutout Dimensions*	proud in	proud mm	flush in	flush mm
Overall width of cutout	13 11/16	347	13 1/16	347
Overall depth of cutout	19 31/32	507	20 1/32	509
Overall width of recess	-	-	15 5/16	389
Overall depth of recess	-	-	21 1/32	534
Overall height of recess	-	-	1/4	6.5
Recess corner radius	-	-	5/32	4

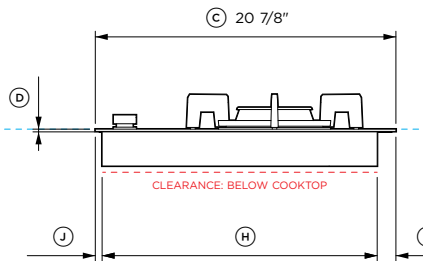
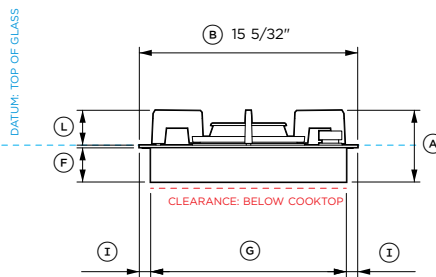
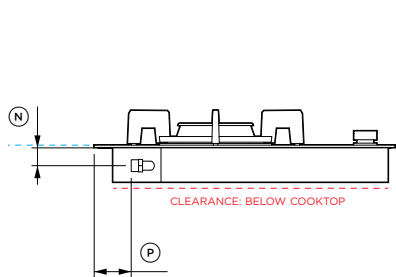
*Note cutout position is centered to the cooktop.

IMPORTANT NOTE: Throughout this guide, dimensions may vary by ±2mm (1/16"). Please read the installation manual for detailed information on installing the product. For full installation instructions & specifications visit fisherpaykel.com

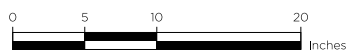
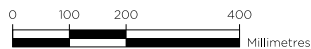


CLEARANCE: RANGEHOOD, OVERHEAD CABINET

CLEARANCE: OVERHEAD CABINET NOT DIRECTLY ABOVE



DATUM: TOP OF GLASS



INDICATES CABINERY / PRODUCT DATUM
INDICATES CABINERY CLEARANCES
INDICATES CUTOUT

Model no:

Gas on Glass Modular Cooktop, 15", LPG - CG151DLPG5,
Gas on Glass Modular Cooktop, 15", Natural Gas - CG151DNGB5

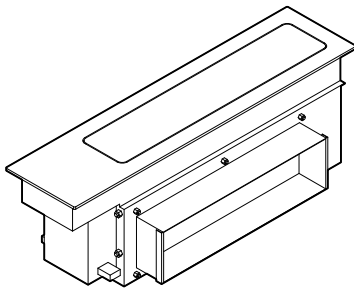
Product Dimensions	in	mm
(A) Overall height of cooktop (including trivet)	5	127
(B) Overall width of cooktop	15 5/32	385
(C) Overall depth of cooktop	20 7/8	530
(D) Height of cooktop glass (includes flange and tape)	1/4	6
(E) Corner radius of glass	1/16	2
(F) Height of chassis	2 7/16	61
(G) Width of chassis	13 9/16	345
(H) Depth of chassis	19 1/8	485
(I) Width from side edges of cooktop to chassis	13/16	20
(J) Depth from front edge of cooktop to chassis	1/2	12
(K) Depth from back edge of cooktop to chassis	1 5/16	33
(L) Height of trivet	2 7/16	62
(M) Distance from centre of burner to rear of cooktop	8 7/16	214
(N) Height from centre of gas inlet to top of glass	1 1/4	32
(O) Width from centre of cooktop to gas inlet	5 15/16	150
(P) Distance from rear of cooktop to gas inlet	2 9/16	65

Product Clearances	in	mm
(Q) Minimum clearance from side edges of cutout to nearest combustible surface	4 3/4	120
(R) Minimum clearance from rear edge of cutout to nearest combustible surface	3 3/8	85
Minimum clearance from counter top to surface, cabinet or rangehood directly centered above the cooktop	30	724
Minimum clearance from top of glass surface to overhead cabinet not directly above cooktop	18	457
Maximum depth of overhead cabinets not directly above cooktop	13	330
Minimum clearance from top of glass surface to top of any appliance, companion product or obstruction below cooktop	3	76

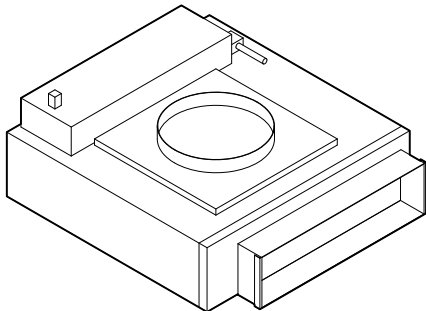
Cutout Dimensions*	proud in	proud mm	flush in	flush mm
Overall width of cutout	13 11/16	347	13 11/16	347
Overall depth of cutout	19 31/32	507	20 1/32	509
Overall width of recess	-	-	15 5/16	389
Overall depth of recess	-	-	21 1/32	534
Overall height of recess	-	-	1/4	6.5
Recess corner radius	-	-	5/32	4

*Note cutout position is centered to the cooktop.

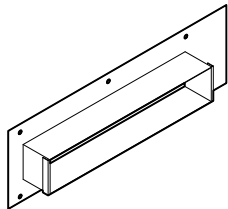
IMPORTANT NOTE: Throughout this guide, dimensions may vary by ±2mm (1/16"). Please read the installation manual for detailed information on installing the product. For full installation instructions & specifications visit fisherpaykel.com



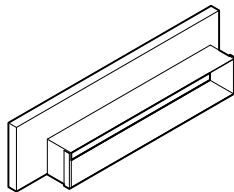
MAINBOX



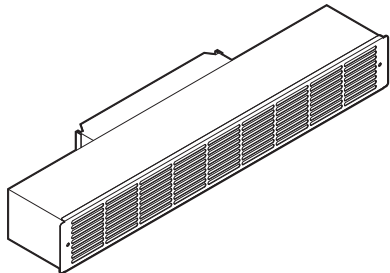
BLOWERBOX



MAINBOX OUTLET ADAPTER



BLOWERBOX OUTLET ADAPTER



RECIRCULATION KIT

Model no:
Auxiliary Modular Ventilation, 5", Black - DD5DB1

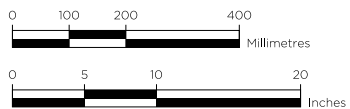
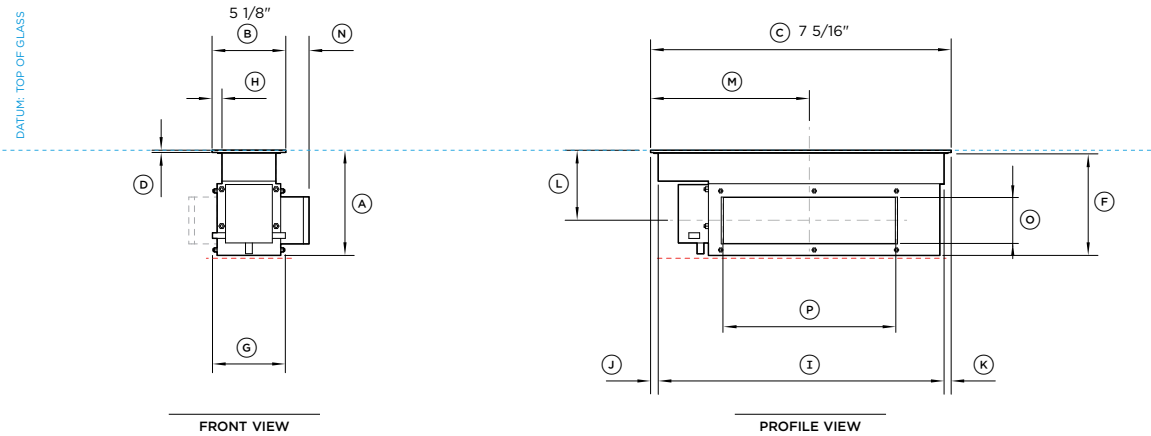
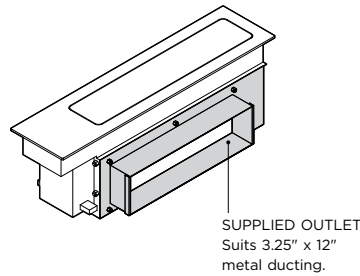
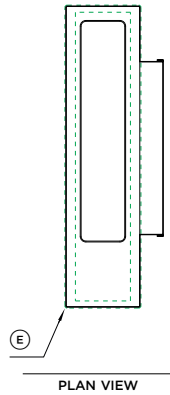
Component Description	Supplied	Optional Accessory
Mainbox	x1	
Blowerbox	x1	
Mainbox Outlet Adapter, 2.25" x 12"		OAD225X12
Blower Outlet Adapter, 2.25" x 12"		OAB225X12
Recirculation Kit		KREIRCDDFT

INDICATES CABINETRY / PRODUCT DATUM -----
 INDICATES CABINETRY CLEARANCES -----
 INDICATES CUTOUT -----

IMPORTANT NOTE: Throughout this guide, dimensions may vary by ±2mm (1/16"). Please read the installation manual for detailed information on installing the product. For full installation instructions & specifications visit fisherpaykel.com

MAINBOX

AS SUPPLIED



Model no:

Auxiliary Modular Ventilation, 5", Black - CD5DB1

Product Dimensions	in	mm
(A) Overall height of mainbox	7 3/8	186
(B) Overall width of mainbox	5 1/8	130
(C) Overall depth of mainbox	20 7/8	530
(D) Height of glass (includes flange and tape)	1/4	6
(E) Corner radius of glass	1/16	2
(F) Height of chassis	7 2/16	180
(G) Width of lower chassis (includes communication ports)	5	126
(H) Width from sides of glass to neck of chassis	11/16	18
(I) Depth of chassis	19 7/8	504
(J) Depth from front edge of glass to chassis	17/32	13.5
(K) Depth from back edge of glass to chassis	1/2	12.5
(L) Height from top of glass to center of outlet	4 7/8	124
(M) Depth from front edge of glass to center of outlet	11	280
(N) Width from edge of glass to outside of outlet	1 5/8	41
(O) Height of outlet	3 1/4	83
(P) Width of outlet	12	305

Product Clearances	in	mm
Minimum clearance from top surface to top of any appliances, companion product or obstruction below mainbox	7 7/8	200

Cutout Dimensions*	proud in	proud mm	flush in	flush mm
Overall width of cutout	3 7/8	98	3 7/8	98
Overall depth of cutout	19 31/32	507	20 1/32	509
Overall width of recess	-	-	5 9/32	134
Overall depth of recess	-	-	21 1/32	534
Overall height of recess	-	-	1/4	6.5
Recess corner radius	-	-	5/32	4

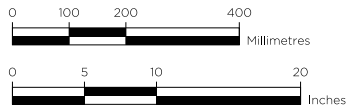
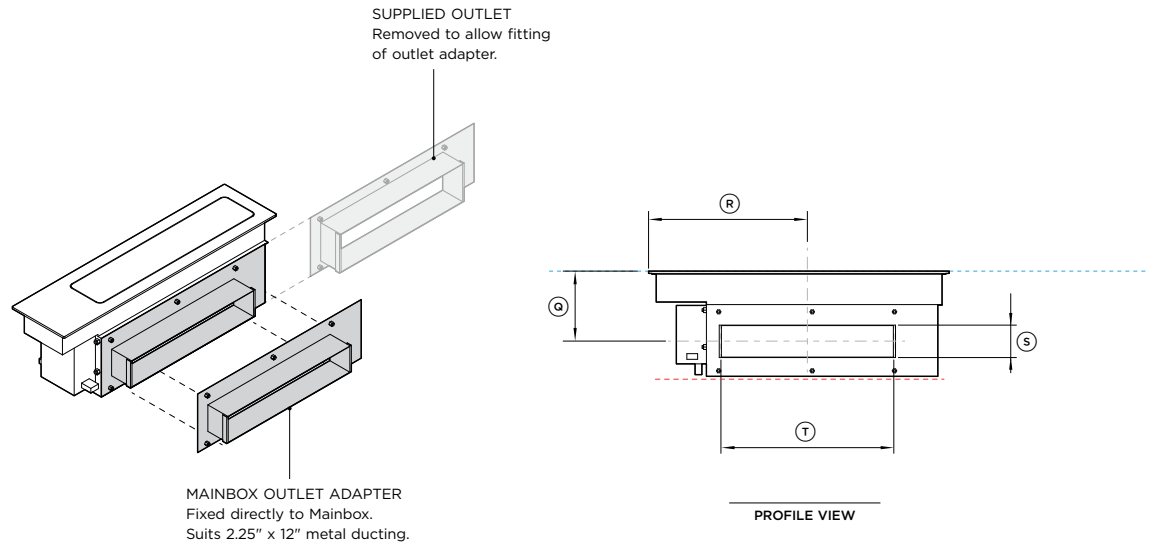
*Note cutout position is centered to the cooktop.

INDICATES CABINERY / PRODUCT DATUM -----
 INDICATES CABINERY CLEARANCES -----
 INDICATES CUTOUT -----

IMPORTANT NOTE: Throughout this guide, dimensions may vary by ±2mm (1/16"). Please read the installation manual for detailed information on installing the product. For full installation instructions & specifications visit fisherpaykel.com

MAINBOX

WITH MAINBOX OUTLET ADAPTER



Model no:

Mainbox Outlet Adapter, 2.25" x 12" - OAD225X12

Product Dimensions	in	mm
ⓐ Height from top of glass to center of outlet	4 7/8	124
Ⓡ Depth from front edge of mainbox glass to center of outlet	11	280
Ⓢ External height of outlet	2 1/4	57
Ⓣ External width of outlet	12	305

INDICATES CABINETRY / PRODUCT DATUM -----

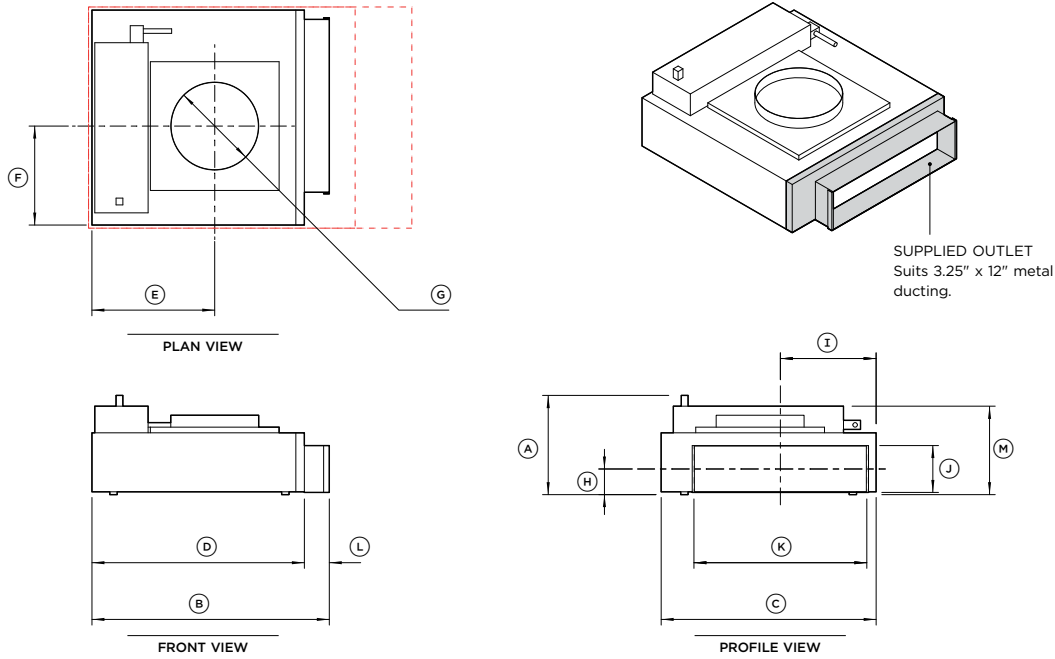
INDICATES CABINETRY CLEARANCES -----

INDICATES CUTOUT -----

IMPORTANT NOTE: Throughout this guide, dimensions may vary by ±2mm (1/16"). Please read the installation manual for detailed information on installing the product. For full installation instructions & specifications visit fisherpaykel.com

BLOWERBOX

AS SUPPLIED



Model no:

Auxiliary Modular Ventilation, 5", Black - CD5DB1

Product Dimensions

	in	mm
A Overall height of blowerbox	6 15/16	175
B Overall width of blowerbox (including outlet)	16 1/2	419
C Overall depth of blowerbox	14 15/16	379
D Width of blowerbox chassis	14 13/16	375
E Width from corner to center of inlet	8 9/16	217
F Depth from corner to center of inlet	6 7/8	175
G Internal diameter of inlet	6 1/16	154
H Height from base of mainbox to center of outlet	1 5/16	33
I Width from outside of chassis to center of outlet	6 11/16	169
J Height of outlet	3 1/4	83
K Width of outlet	12	305
L Depth of outlet	1 3/4	44
M Height of blowerbox (excluding communications connector)	6 3/16	156

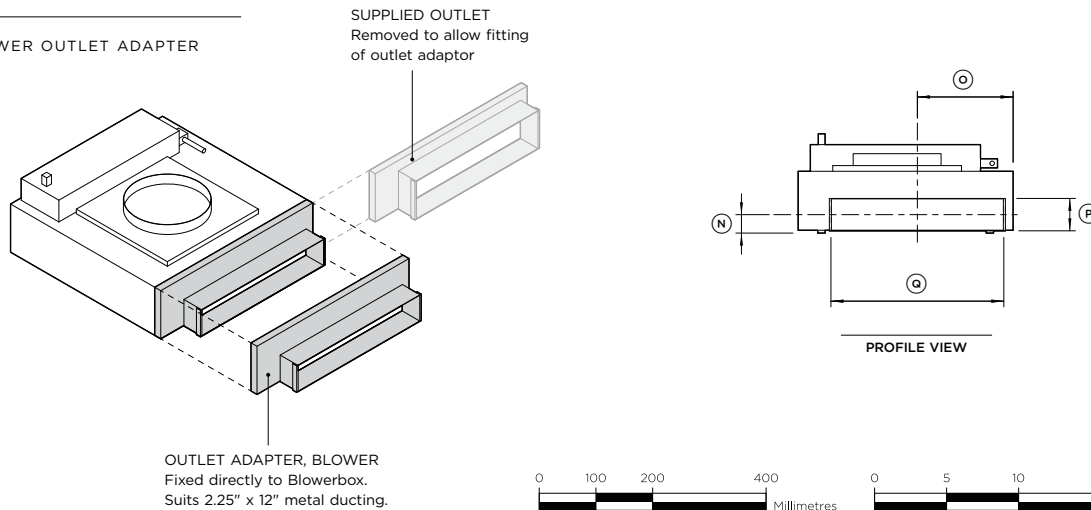
Cutout Dimensions*

	in	mm
Recommended width of cutout **	22 7/16	570
Minimum width of cutout ***	18 1/2	470
Depth of cutout	15 3/8	390

*Blowerbox can be rotated to achieve desired outlet direction, cutout dimensions must be similarly rotated.
 ** Recommended width allows greater access to outlet for connecting ducting during installation.
 *** Clearance only for blowerbox, does not provide allowances for connecting to ducting within kickstrip

BLOWERBOX

WITH BLOWER OUTLET ADAPTER



Model no:

Blower Outlet Adapter, 2.25" x 12" - OAB225X12

Product Dimensions

	in	mm
N Height from base of blowerbox to center of outlet	1 13/16	45
O Width from side of blowerbox chassis to center of outlet	6 11/16	169
P External height of outlet	2 1/4	57
Q External width of outlet	12	305

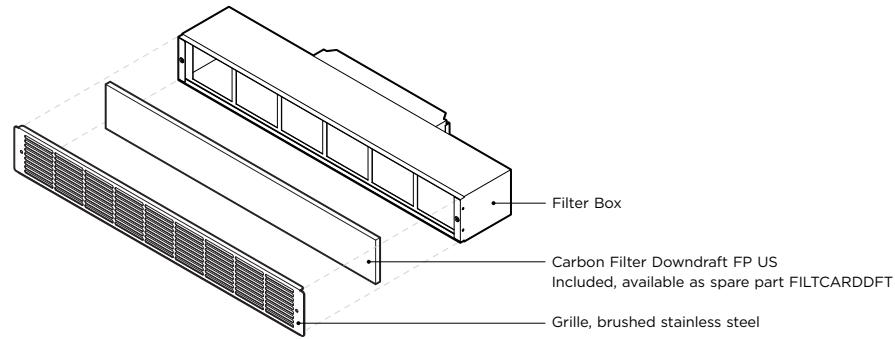
INDICATES CABINETRY / PRODUCT DATUM -----
 INDICATES CABINETRY CLEARANCES -----
 INDICATES CUTOUT -----

IMPORTANT NOTE: Throughout this guide, dimensions may vary by ±2mm (1/16"). Please read the installation manual for detailed information on installing the product. For full installation instructions & specifications visit fisherpaykel.com



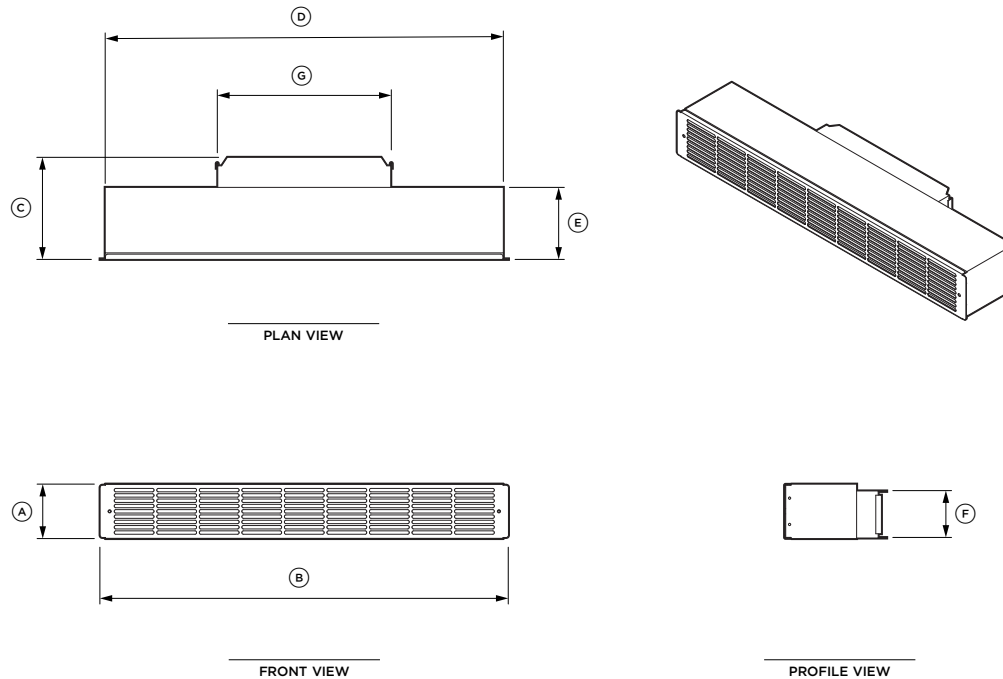
RECIRCULATION KIT

COMPONENT OVERVIEW



RECIRCULATION KIT

OVERALL ASSEMBLY



Model no:

Recirculation Kit - KRECIRDDFT
Overall assembly

Product Dimensions	in	mm
Ⓐ Overall height of recirculation kit	3 13/16	96
Ⓑ Overall width of recirculation kit	28 3/8	720
Ⓒ Overall depth of recirculation kit	7 1/8	180
Ⓓ Width of filter box chassis	27 11/16	702
Ⓔ Depth of filter box chassis and front grille	5	127
Ⓕ Height of outlet	3 1/4	83
Ⓖ Width of outlet	12	305

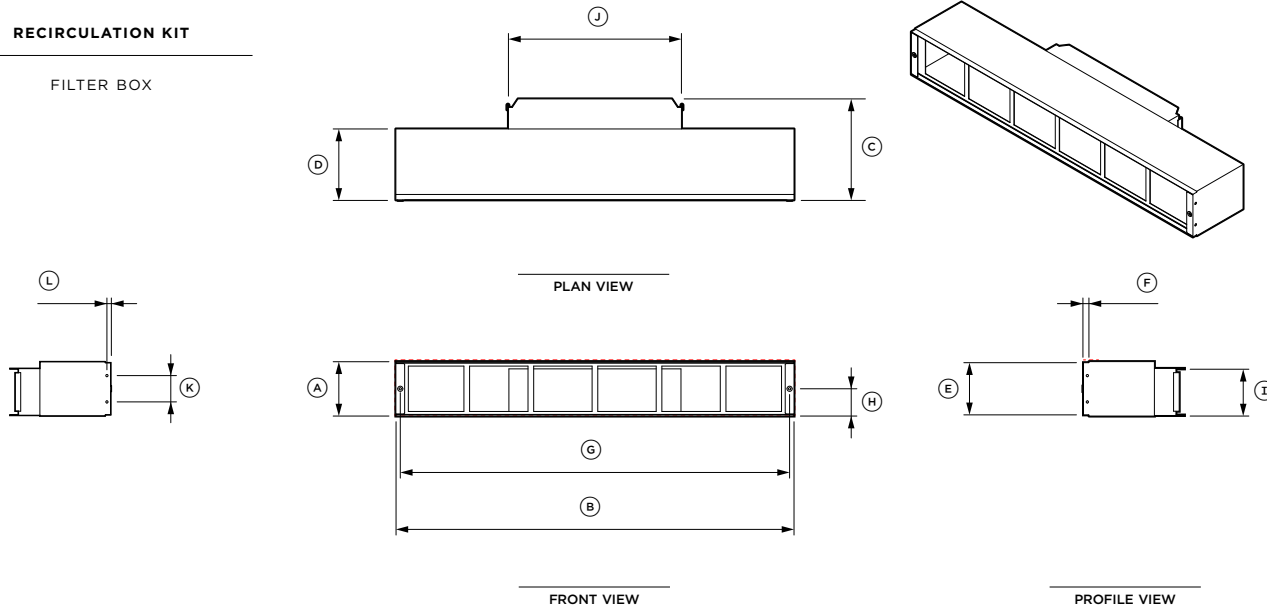
Cutout Dimensions	in	mm
Recommended width of cutout	27 3/4	705
Minimum width of cutout	3 7/8	99

INDICATES CABINETRY / PRODUCT DATUM -----
 INDICATES CABINETRY CLEARANCES -----
 INDICATES CUTOUT -----

IMPORTANT NOTE: Throughout this guide, dimensions may vary by ±2mm (1/16"). Please read the installation manual for detailed information on installing the product. For full installation instructions & specifications visit fisherpaykel.com

RECIRCULATION KIT

FILTER BOX



Model no:

Filter Box, Recirculation Kit

Product Dimensions

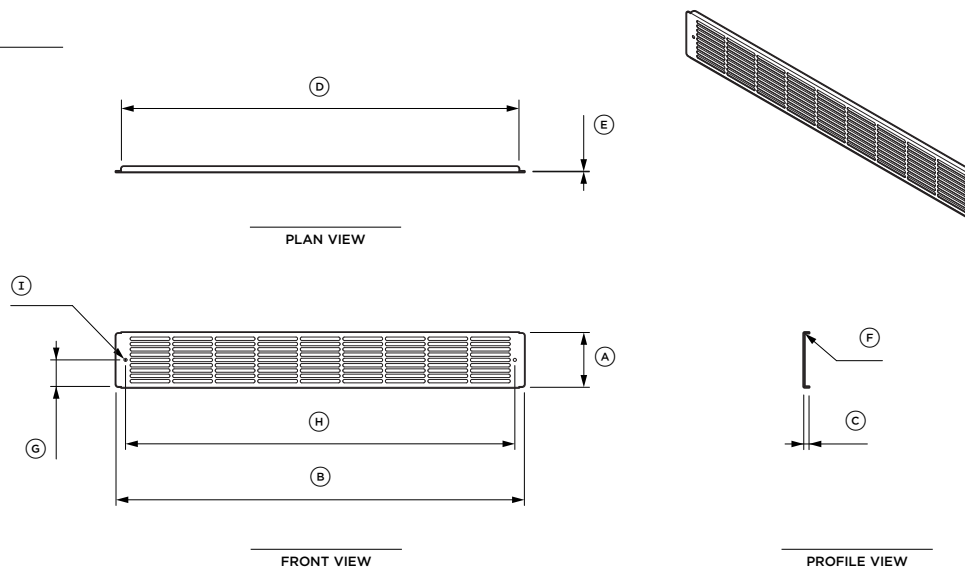
	in	mm
A Overall height of filter box	3 13/16	96
B Overall width of filter box	27 5/8	702
C Overall depth of filter box	7 1/16	179
D Depth of filter box chassis (includes nutsert)	5	126
E Height of chassis step down for grille	3 5/8	92
F Depth of chassis step down for grille	7/16	11
G Width between grille fastening holes	27 1/32	686.5
H Height of grille fastening holes from base of chassis	1 7/8	48
I Height of outlet	3 1/4	83
J Width of outlet	12	305
K Height between centre of holes (central to chassis)	1 13/16	46
L Centre of holes to front of chassis (includes nutsert)	1/4	5/16

Cutout Dimensions

	in	mm
Recommended width of cutout	27 3/4	705
Minimum width of cutout	3 7/8	99

RECIRCULATION KIT

GRILLE



Model no:

Grille, Recirculation Kit

Product Dimensions

	in	mm
A Overall height of grille	3 13/16	96
B Overall width of grille	28 3/8	720
C Overall depth of grille	3/8	10
D Width of flange	27 5/8	701
E Thickness of sheet metal	1/16	1
F Internal radius of bend	1/32	0.5
G Height from base of grille to centre of holes	1 7/8	47.5
H Width between centre of holes	27 1/32	686.5
I Diameter of holes	7/32	5.5

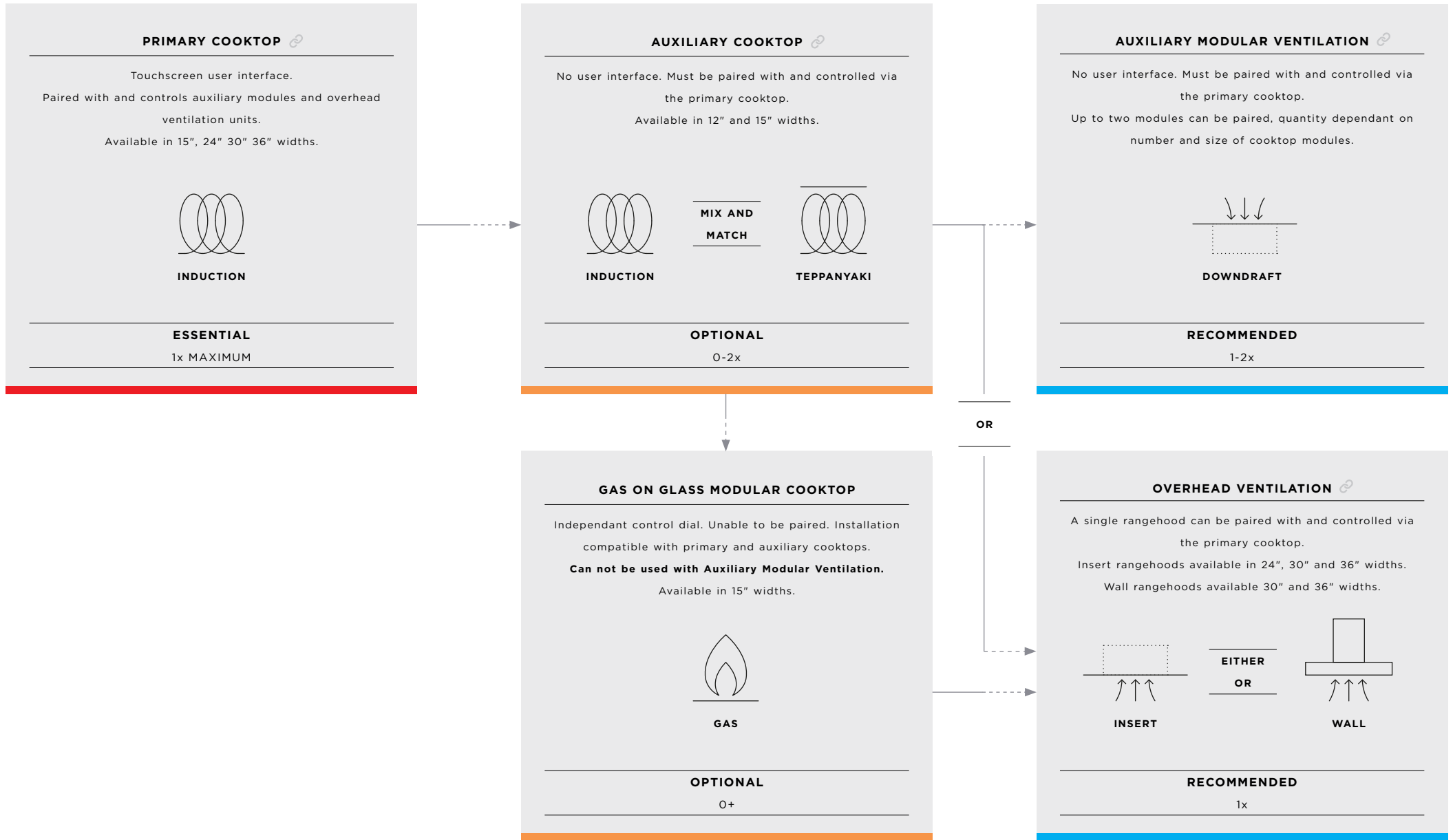
INDICATES CABINETRY / PRODUCT DATUM -----

INDICATES CABINETRY CLEARANCES -----

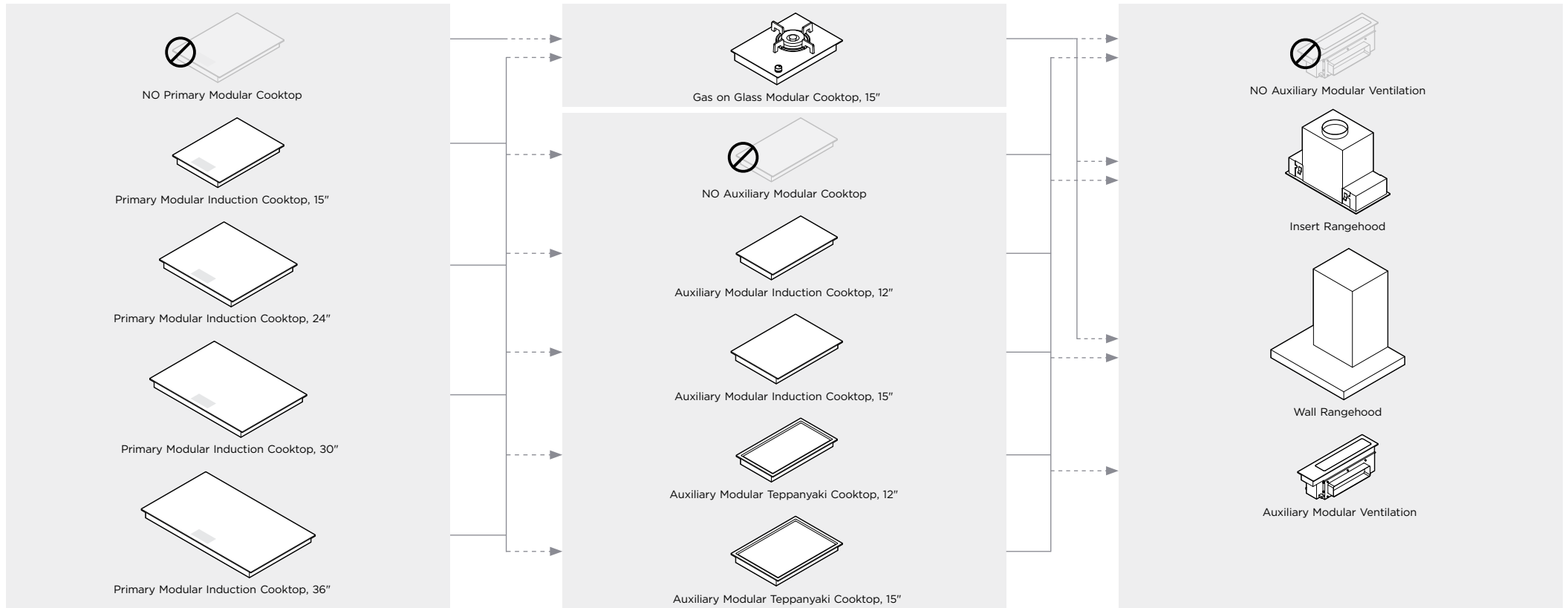
INDICATES CUTOUT -----

IMPORTANT NOTE: Throughout this guide, dimensions may vary by ±2mm (1/16"). Please read the installation manual for detailed information on installing the product. For full installation instructions & specifications visit fisherpaykel.com

PRODUCT DECISIONS



The models shown in this Planning Guide may not be available in all markets and are subject to change at any time. Product specifications may vary from those shown. This Planning Guide should not be used as installation guidance for any product. Further information is required to safely and correctly install the products featured here. Specific installation guidance will be available with the product on delivery and on our website fisherpaykel.com



Primary cooktops have a touchscreen via which the Auxiliary Induction, Teppanyaki and Ventilation modules are controlled. Gas on Glass modules are independently controlled and can not be paired with a Primary module.

PRIMARY MODULAR COOKTOPS - CONNECTED

Primary Modular Induction Cooktop, 15"	CI152DTTB1
Primary Modular Induction Cooktop, 24"	CI244DTTB1
Primary Modular Induction Cooktop, 30"	CI304DTTB1
Primary Modular Induction Cooktop, 36"	CI365DTTB1

Mix and match up to 2x Auxiliary cooktops and multiple Gas on Glass modules.

GAS ON GLASS MODULAR COOKTOPS

Gas on Glass Modular Cooktop, 15", LPG	CG151DLPGB5
Gas on Glass Modular Cooktop, 15", Natural Gas	CG151DNGGB5

AUXILIARY MODULAR COOKTOPS - CONNECTED

Auxiliary Modular Induction Cooktop, 12"	CI122DB1
Auxiliary Modular Induction Cooktop, 15"	CI152DB1
Auxiliary Modular Teppanyaki Cooktop, 12"	CIT122DX1
Auxiliary Modular Teppanyaki Cooktop, 15"	CIT152DX1

Ventilation options are dependant on module sizes, pairings and cook type. Overhead ventilation can be used for all cook types while Modular downdraft ventilation can only be installed with with Induction and Teppanyaki modules and never with Gas on Glass.

AUXILIARY MODULAR VENTILATION - CONNECTED

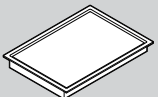
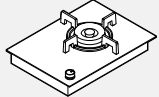
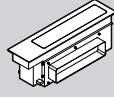
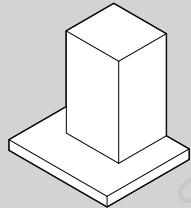
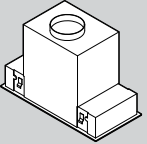
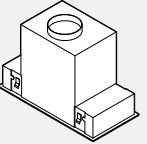
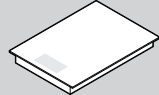
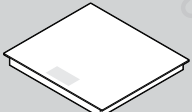
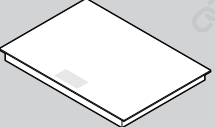
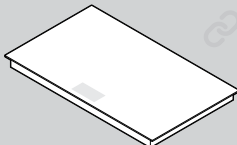
Auxiliary Modular Ventilation, 5"	CD5DB1
-----------------------------------	---------------

OVERHEAD VENTILATION - CONNECTED

Wall Range Hood, 30", Box Chimney	HC30DCXB4
Wall Range Hood, 36" Box Chimney	HC36DCXB4
Integrated Insert Range Hood, 24"	HP24IDCHX4
Integrated Insert Range Hood, 30"	HP30IDCHX4
Integrated Insert Range hood, 36"	HP36IDCHX4

The models shown in this Planning Guide may not be available in all markets and are subject to change at any time. Product specifications may vary from those shown. This Planning Guide should not be used as installation guidance for any product. Further information is required to safely and correctly install the products featured here. Specific installation guidance will be available with the product on delivery and on our website fisherpaykel.com

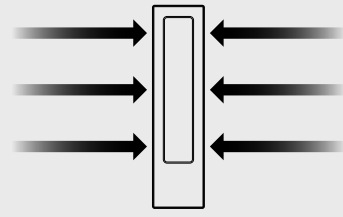
PLEASE NOTE
Alternative non-connected rangehood width and styles are available.

		 AUXILIARY COOKTOP	 GASS ON GLASS COOKTOP	COMBINED COOKTOP WIDTH	 AUXILIARY MODULAR VENTILATION	 WALL RANGEHOOD	 INSERT RANGEHOOD			 INSERT RANGEHOOD			
		CONNECTED x0-2	NOT connected x0-2		CONNECTED x1-2	CONNECTED x1	CONNECTED x1			NOT connected x1			
		CI122D CIT122DX1 CI152D CIT152DX1	CG15IDLPG5 CG15IDNGGB5	Width of cooktop(s) must be equal to or smaller than rangehood width	DOWNDRAFT CD5D	30" HC30DCXB4	36" HC36DCXB4	24" HP24IDCHX4	30" HP30IDCHX4	36" HP36IDCHX4	48" HPB48I9-12		
PRIMARY COOKTOP CONNECTED x1		15" CI152DTT		15"	x1	x1		x1					
			x1 12"	27"	x1	x1			x1				
			x1 15"	30"	x1	x1				x1			
				x1 15"	30"		x1				x1		
			x2 12"	39"	x2							x1	
			x2 15"	45"	x2							x1	
			x1 15"	45"		x1 15"						x1	
		24" CI244DTT		24"	x2	x1		x1					
			x1 12"	36"	x2			x1			x1		
			x1 15"	39"	x2							x1	
				x1 15"	39"								x1
			x2 12"	48"	x2								x1
			x2 15"	54"	x2								
				30"				x1				x1	
		30" CI304DTT		30"			x1						
			x1 12"	42"								x1	
			x1 15"	45"									x1
				45"		x1 15"							
	Wider cooktop combinations are not able to be vented by modular ventilation or a single overhead unit.												
		36" CI365DTT		36"				x1				x1	
			x1 12"	48"									x1
Wider cooktop combinations are not able to be vented by modular ventilation or a single overhead unit.													

The models shown in this Planning Guide may not be available in all markets and are subject to change at any time. Product specifications may vary from those shown. This Planning Guide should not be used as installation guidance for any product. Further information is required to safely and correctly install the products featured here. Specific installation guidance will be available with the product on delivery and on our website fisherpaykel.com

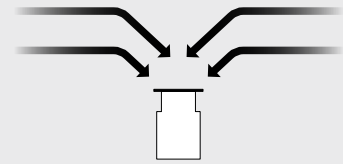
DOWNDRAFT VENTILATION

The modular ventilation unit is a downdraft ventilation system that efficiently extracts air across and downwards.



TOP VIEW

The modular ventilation unit provides efficient ventilation to adjacent cook zones. Consideration of cook zone layout and cook module size is critical for optimum pairing of ventilation type and quantity.

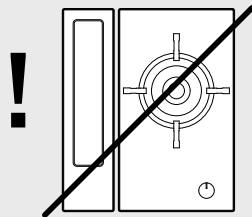


FRONT VIEW

Important: Where modular ventilation is unable to provide efficient venting it is recommended that overhead extraction is chosen.

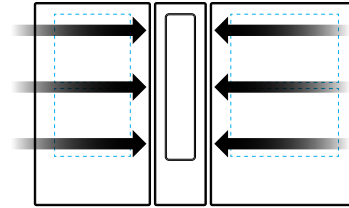
WARNING:

Modular Ventilation cannot be used alongside a gas cooktop.

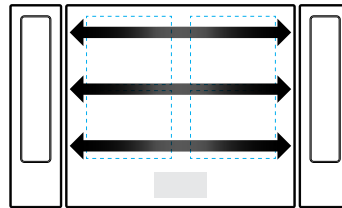


SUFFICIENT VENTILATION

ADJACENT COOK ZONES ARE EFFECTIVELY VENTED



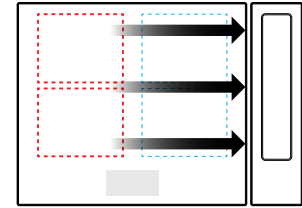
12" & 15" MODULES



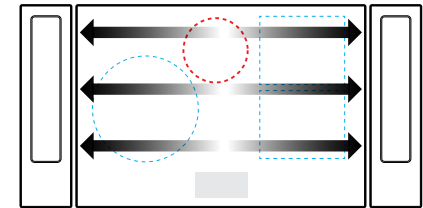
24" PRIMARY MODULE WITH 2X DOWNDRAFT

INSUFFICIENT VENTILATION

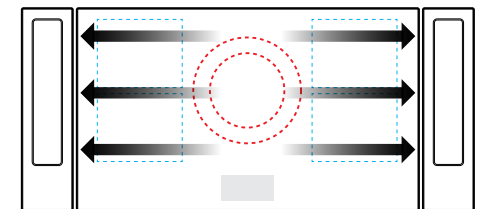
NON-ADJACENT COOK ZONES ARE NOT SUFFICIENTLY VENTED



24" PRIMARY MODULE WITH 1X DOWNDRAFT



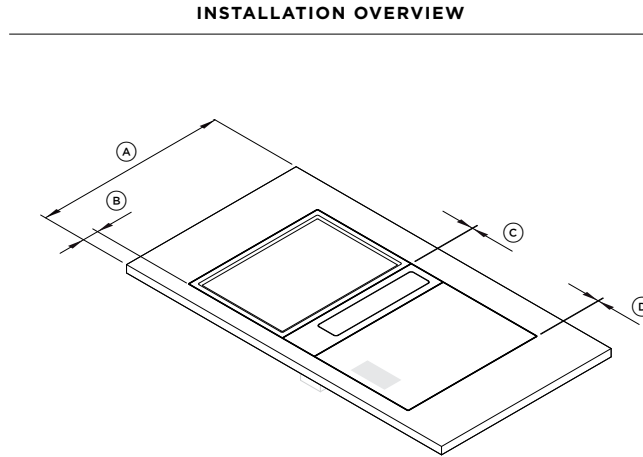
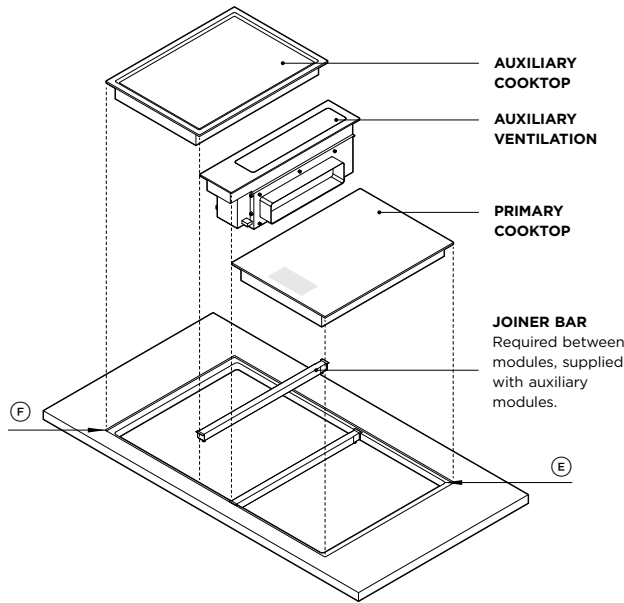
30" PRIMARY MODULE WITH 2X DOWNDRAFT



36" PRIMARY MODULE WITH 2X DOWNDRAFT

The models shown in this Planning Guide may not be available in all markets and are subject to change at any time. Product specifications may vary from those shown. This Planning Guide should not be used as installation guidance for any product. Further information is required to safely and correctly install the products featured here. Specific installation guidance will be available with the product on delivery and on our website fisherpaykel.com

PLANNING CONSIDERATIONS



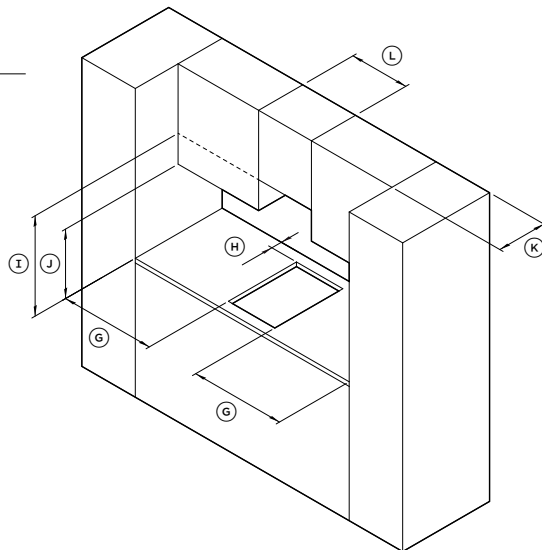
COUNTERTOP DIMENSIONS	in	mm
(A) Minimum countertop depth*		
- Induction and teppanyaki	23 5/8	600
- with gas on glass cooktop	26 3/16	665
- with auxiliary ventilation, ducting routed below cooktops **	23 5/8	600
- with auxiliary ventilation, ducting routed to rear of cabinet **	27 9/16	700
(B) Nominal distance from front of countertop to front of cooktop	2 3/8	60
(C) Distance between modules	5/64	2
(D) Distance between edge of module and edge of recess	5/64	2
(E) Corner radii of cutout **	max 3/8	max 10
(F) Corner radii of recess **	5/32	4

* Based on nominal distance 'B'. Does not allow for ducting. Dependant on countertop materials.
 ** Guideline only, based on generic metal ducting. Customer must supply ducting and calculate cabinetry and countertop dimensions specific to chosen duct type and layout.

IMPORTANT NOTE

Cutout widths and radii may not be possible in certain countertop materials. Please refer to countertop suppliers material specifications and fabrication parameters.

CLEARANCE OVERVIEW

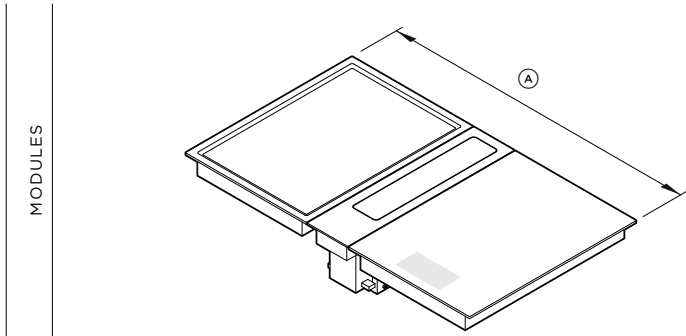


CABINERY CLEARANCE DIMENSIONS	Induction & Teppanyaki		Gas on Glass	
	in	mm	in	mm
(G) Minimum clearance from side edges of cutout to nearest combustible surface	1 3/16	29	4 3/4	120
(H) Minimum clearance from rear edge of cutout to nearest combustible surface	7/8	21	3 3/8	85
(I) Minimum clearance from countertop to: Overhead cabinet centered above the cooktop (unprotected) Overhead cabinet centered above the cooktop (protected) Range hood	24	610	30	724
(J) Minimum clearance from countertop to overhead cabinet not directly above cooktop	18	457	18	457
(K) Maximum depth of overhead cabinetry	13	330	13	330
(L) Minimum distance between overhead cabinets (not centered above cooktop)	combined cooktop width		combined cooktop width	

IMPORTANT NOTE

Gas on Glass modules have greater clearance requirements compared to Induction and Teppanyaki modules. For multiproduct installations ensure clearances are achieved for the product with the greater clearance requirements.

The models shown in this Planning Guide may not be available in all markets and are subject to change at any time. Product specifications may vary from those shown. This Planning Guide should not be used as installation guidance for any product. Further information is required to safely and correctly install the products featured here. Specific installation guidance will be available with the product on delivery and on our website fisherpaykel.com

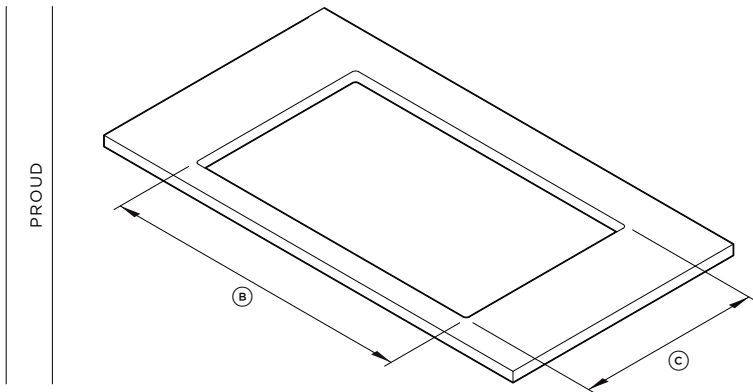


COMBINED COUNTERTOP EQUATIONS

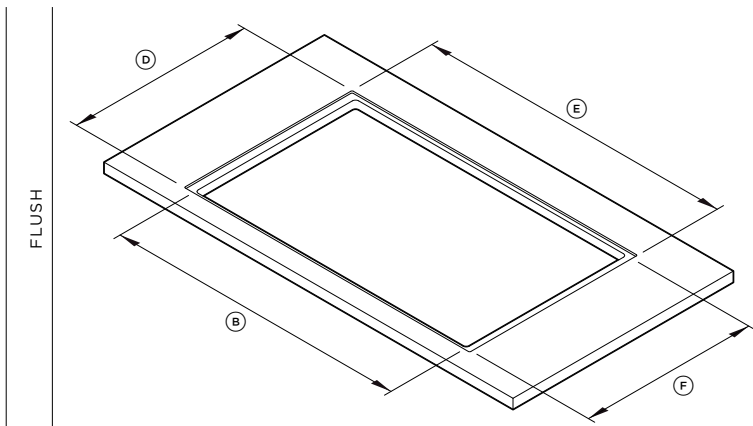
Pairings of modular products have been designed to fit in a singular countertop cutout. When grouping modules it is essential to calculate their combined cutout requirements. The following equations can be used to guide calculations.

For dimensions of common configurations please refer to subsequent pages.

(A)	OVERALL WIDTH OF MODULES	=	COMBINED PRODUCT WIDTHS add module widths	+	GAPS BETWEEN MODULES 5/32" (2mm) x (number of modules -1)
-----	--------------------------	---	--	---	---



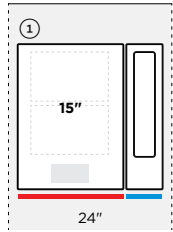
(B)	WIDTH OF CUTOUT FLUSH AND PROUD	=	OVERALL WIDTH OF MODULES	-	LEFT OVERHANG 3/4" (19mm) Induction / Teppanyaki / Gas OR 5/8" (16mm) Downdraft	-	RIGHT OVERHANG 3/4" (19mm) Induction / Teppanyaki / Gas OR 5/8" (16mm) Downdraft
(C)	DEPTH OF CUTOUT PROUD	=	19 31/32" (507mm)				



(B)	WIDTH OF CUTOUT FLUSH AND PROUD	=	OVERALL WIDTH OF MODULES	-	LEFT OVERHANG 3/4" (19mm) Induction / Teppanyaki / Gas OR 5/8" (16mm) Downdraft	-	RIGHT OVERHANG 3/4" (19mm) Induction / Teppanyaki / Gas OR 5/8" (16mm) Downdraft
(D)	DEPTH OF CUTOUT FLUSH	=	20 1/32" (509mm)				
(E)	WIDTH OF RECESS FLUSH	=	OVERALL WIDTH OF MODULES	+	5/32" (4mm) 5/32" (2mm) each side		
(F)	DEPTH OF RECESS FLUSH	=	21 1/32" (534mm)	=	20 7/8" (530mm) product depth	+	5/32" (4mm) 5/32" (2mm) top and bottom

The models shown in this Planning Guide may not be available in all markets and are subject to change at any time. Product specifications may vary from those shown. This Planning Guide should not be used as installation guidance for any product. Further information is required to safely and correctly install the products featured here. Specific installation guidance will be available with the product on delivery and on our website fisherpaykel.com

SINGLE - COMPACT < 24"



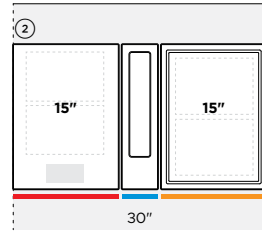
— PRIMARY COOKTOP
— AUXILIARY COOKTOP
— AUXILIARY VENTILATION

① SINGLE WITH MODULAR VENTILATION - 15

Dimensions	WxDxH		
		in	mm
Combined Module Size	20 3/8 x 20 7/8 x 7 1/16	517	530 x 180
Proud cutout*	19 x 19 31/32	482	x 507
Flush cutout*	19 x 20 1/16	482	x 509
Flush recess	20 17/32 x 21 1/32 x 1/4	521	x 534 x 6.5

*Cutout width not central to overall width of modules. Offset specific to placement of downdraft unit to the left or right. Side overhangs differ for downdraft and cooktop - downdraft 5/8" (16mm), cooktops 3/4" (19mm). Refer 'Countertop Installation Details' for more information.

TWO IN A ROW - MID 36"

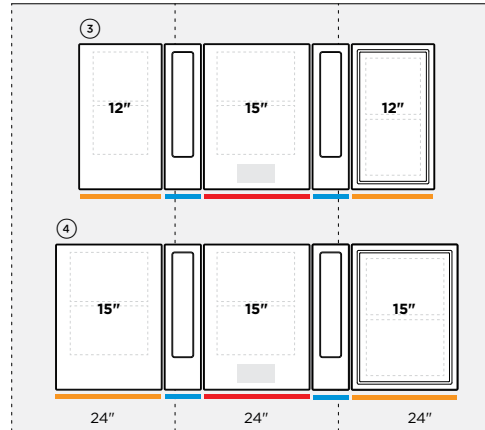


② TWO IN A ROW WITH MODULAR VENTILATION - 15+15

Dimensions	WxDxH		
		in	mm
Combined Module Size	35 5/8 x 20 7/8 x 7 1/16	904	x 530 x 180
Proud cutout*	33 15/16 x 19 31/32	862	x 507
Flush cutout*	33 15/16 x 20 1/16	862	x 509
Flush recess	35 3/4 x 21 1/32 x 1/4	908	x 534 x 6.5

*Glass overhang at sides adjusted to fit 35 7/16" (900mm) cabinet constructed from 3/4" (19mm) panels. 34 1/8" (866mm) width cutout recommended if cabinetry construction allows.

THREE IN A ROW - WIDE > 48"



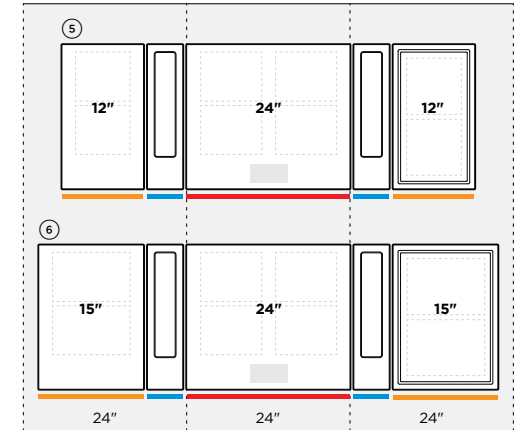
③ THREE IN A ROW WITH MODULAR VENTILATION - 15+12+12

Dimensions	WxDxH		
		in	mm
Combined Module Size	49 5/16 x 20 7/8 x 7 1/16	1253	x 530 x 180
Proud cutout	47 7/8 x 19 31/32	1215	x 507
Flush cutout	47 7/8 x 20 1/16	1215	x 509
Flush recess	49 1/2 x 21 1/32 x 1/4	1257	x 534 x 6.5

④ THREE IN A ROW WITH MODULAR VENTILATION - 15+15+15

Dimensions	WxDxH		
		in	mm
Combined Module Size	56 1/16 x 20 7/8 x 7 1/16	1423	x 530 x 180
Proud cutout	54 9/16 x 19 31/32	1385	x 507
Flush cutout	54 9/16 x 20 1/16	1385	x 509
Flush recess	56 3/16 x 21 1/32 x 1/4	1427	x 534 x 6.5

THREE IN A ROW - EXTRA WIDE > 57"



⑤ THREE IN A ROW WITH MODULAR VENTILATION - 24+12+12

Dimensions	WxDxH		
		in	mm
Combined Module Size	57 13/16 x 20 7/8 x 7 1/16	1468	x 530 x 180
Proud cutout	56 5/16 x 19 31/32	1430	x 507
Flush cutout	56 5/16 x 20 1/16	1430	x 509
Flush recess	57 31/32 x 21 1/32 x 1/4	1472	x 534 x 6.5

⑥ THREE IN A ROW WITH MODULAR VENTILATION - 60+15+15

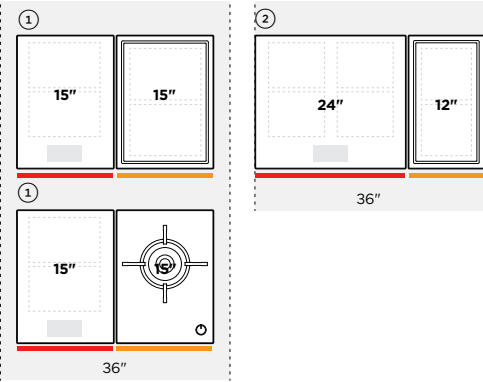
Dimensions	WxDxH		
		in	mm
Combined Module Size	64 1/2 x 20 7/8 x 7 1/16	1638	x 530 x 180
Proud cutout	63 x 19 31/32	1600	x 507
Flush cutout	63 x 20 1/16	1600	x 509
Flush recess	64 1/2 x 21 1/32 x 1/4	1642	x 534 x 6.5

IMPORTANT NOTE

Other configurations are possible.
 Cutout widths may not be possible in certain countertop materials. Please refer to countertop suppliers recommendations for material parameters and fabrication recommendations.

The models shown in this Planning Guide may not be available in all markets and are subject to change at any time. Product specifications may vary from those shown. This Planning Guide should not be used as installation guidance for any product. Further information is required to safely and correctly install the products featured here. Specific installation guidance will be available with the product on delivery and on our website fisherpaykel.com

MID < 36"



— PRIMARY COOKTOP
— AUXILIARY OR GAS ON GLASS COOKTOP

① **TWO IN A ROW - 15 + 15**

Dimensions W x D x H	in	mm
Combined Module Size	30 3/8 x 20 7/8 x 2 5/16	772 x 530 x 58
Proud cutout	28 15/16 x 19 31/32	734 x 507
Flush cutout	28 15/16 x 20 1/16	734 x 509
Flush recess	30 9/16 x 21 1/32 x 1/4	776 x 534 x 6.5

② **TWO IN A ROW - 24 + 12**

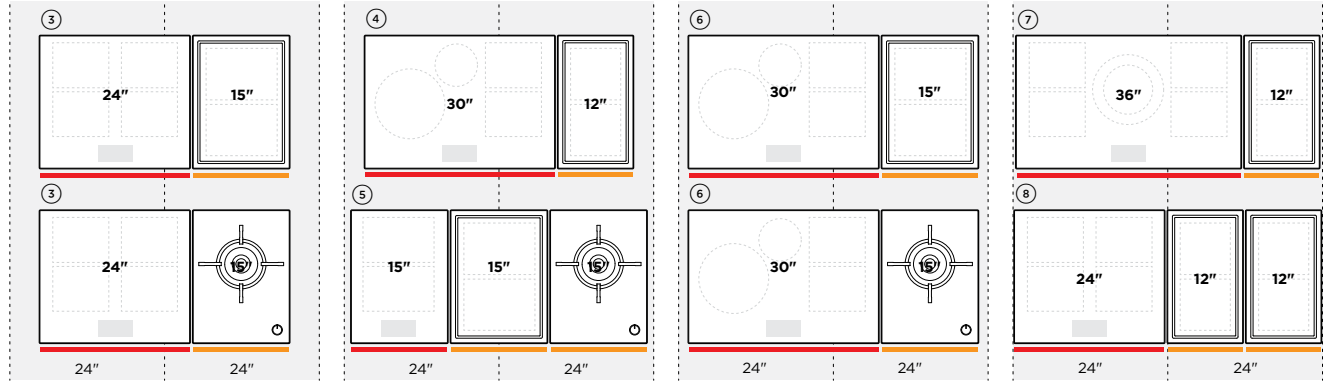
Dimensions W x D x H	in	mm
Combined Module Size	35 1/2 x 20 7/8 x 3 1/2	902 x 530 x 89
Proud cutout	33 15/16 x 19 31/32	862 x 507
Flush cutout	33 15/16 x 20 1/16	862 x 509
Flush recess	35 11/16 x 21 1/32 x 1/4	906 x 534 x 6.5

*Glass overhang at sides adjusted to fit 35 7/16" (900mm) cabinet constructed from 3/4" (19mm) panels. 34 1/8" (864mm) width cutout recommended if cabinetry construction allows.

IMPORTANT NOTE

Other configurations are possible.
Cutout widths may not be possible in certain countertop materials.
Please refer to countertop suppliers recommendations for material parameters and fabrication recommendations.

WIDE < 48"



③ **TWO IN A ROW - 24 + 15**

Dimensions W x D x H	in	mm
Combined Module Size	38 7/8 x 20 7/8 x 3 1/2	987 x 530 x 89
Proud cutout	37 3/8 x 19 31/32	949 x 507
Flush cutout	37 3/8 x 20 1/16	949 x 509
Flush recess	39 1/32 x 21 1/32 x 1/4	991 x 534 x 6.5

④ **TWO IN A ROW - 30 + 12**

Dimensions W x D x H	in	mm
Combined Module Size	41 13/16 x 20 7/8 x 3 1/2	1062 x 530 x 89
Proud cutout	40 5/16 x 19 31/32	1024 x 507
Flush cutout	40 5/16 x 20 1/16	1024 x 509
Flush recess	42 x 21 1/32 x 1/4	1066 x 534 x 6.5

⑤ **THREE IN A ROW - 15 + 15 + 15 ***

Dimensions W x D x H	in	mm
Combined Module Size	45 5/8 x 20 7/8 x 3 1/2	1159 x 530 x 89
Proud cutout	44 1/8 x 19 31/32	1121 x 507
Flush cutout	44 1/8 x 20 1/16	1121 x 509
Flush recess	45 13/16 x 21 1/32 x 1/4	1163 x 534 x 6.5

* Primary and auxiliary cooktops must be adjacent due to communication cable. Gas must be positioned on outside.

⑥ **TWO IN A ROW - 30 + 15**

Dimensions W x D x H	in	mm
Combined Module Size	45 3/16 x 20 7/8 x 3 1/2	1147 x 530 x 89
Proud cutout	43 11/16 x 19 31/32	1109 x 507
Flush cutout	43 11/16 x 20 1/16	1109 x 509
Flush recess	45 5/16 x 21 1/32 x 1/4	1151 x 534 x 6.5

⑦ **TWO IN A ROW - 36 + 12**

Dimensions W x D x H	in	mm
Combined Module Size	47 5/16 x 20 7/8 x 3 1/2	1202 x 530 x 89
Proud cutout	45 7/8 x 19 31/32	1164 x 507
Flush cutout	45 7/8 x 20 1/16	1164 x 509
Flush recess	47 1/2 x 21 1/32 x 1/4	1206 x 534 x 6.5

⑧ **THREE IN A ROW - 24 + 12 + 12**

Dimensions W x D x H	in	mm
Combined Module Size	47 7/16 x 20 7/8 x 3 1/2	1204 x 530 x 89
Proud cutout	45 15/16 x 19 31/32	1166 x 507
Flush cutout	45 15/16 x 20 1/16	1166 x 509
Flush recess	47 9/16 x 21 1/32 x 1/4	1208 x 534 x 6.5

The models shown in this Planning Guide may not be available in all markets and are subject to change at any time. Product specifications may vary from those shown. This Planning Guide should not be used as installation guidance for any product. Further information is required to safely and correctly install the products featured here. Specific installation guidance will be available with the product on delivery and on our website fisherpaykel.com

COUNTERTOP INSTALLATION

A flush or proud finish between the top surface of the modules and countertop is achievable.

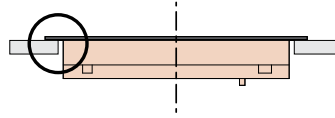
Some overhang details are common left to right or front to back, however there are small dimensional changes between proud and flush, cooking modules and ventilation module.

Care needs to be taken during planning and fabrication to ensure successful installation of modules.

Shimming may be required during flush installation.

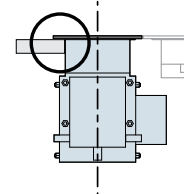
SIDE OVERHANGS

COOKTOP MODULES



FRONT VIEW

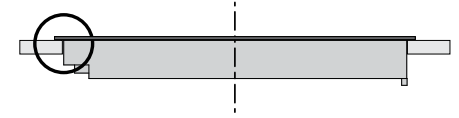
DOWNDRAFT MODULE



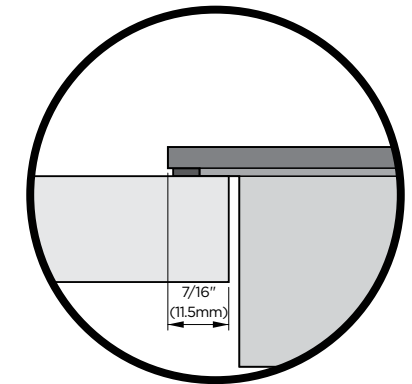
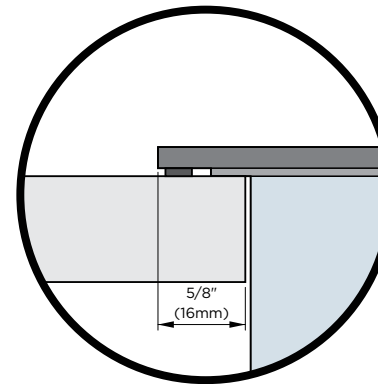
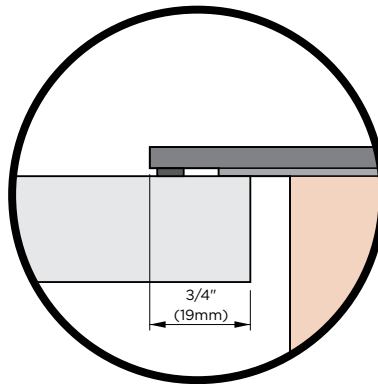
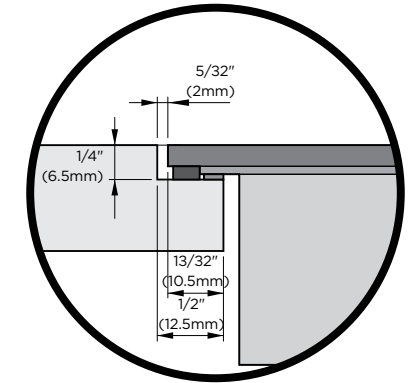
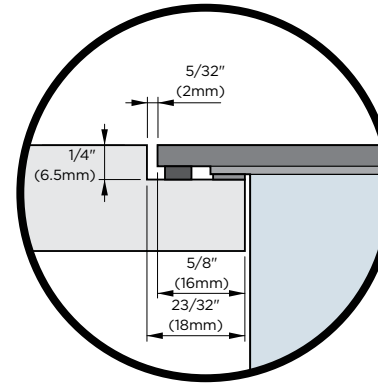
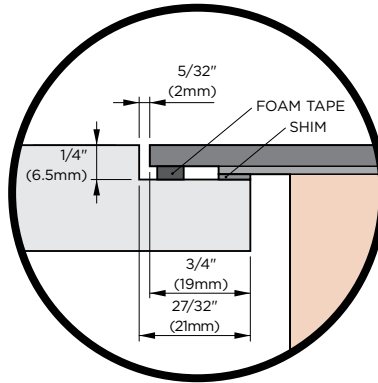
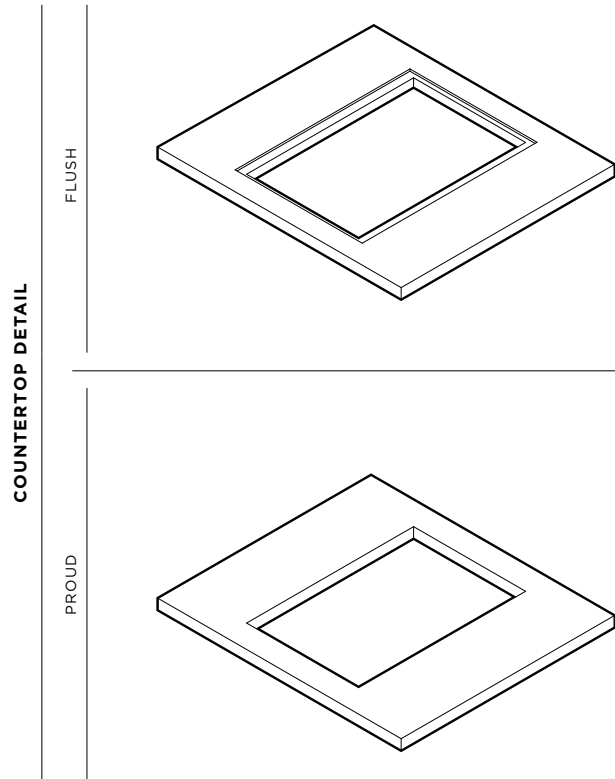
FRONT VIEW

FRONT + REAR OVERHANG

ALL MODULES



PROFILE VIEW

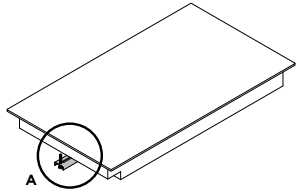


The models shown in this Planning Guide may not be available in all markets and are subject to change at any time. Product specifications may vary from those shown. This Planning Guide should not be used as installation guidance for any product. Further information is required to safely and correctly install the products featured here. Specific installation guidance will be available with the product on delivery and on our website fisherpaykel.com

BRACKET TYPES

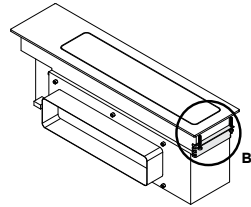
COMMON BRACKET

Applies to all bracket locations, excluding rear downdraft



ISO FRONT VIEW

REAR DOWNDRAFT BRACKET



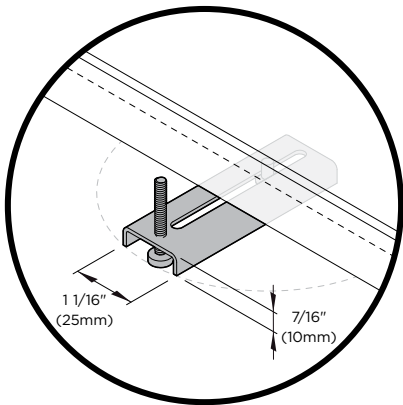
ISO REAR VIEW

CLEARANCE REQUIREMENTS

ALL MODULES

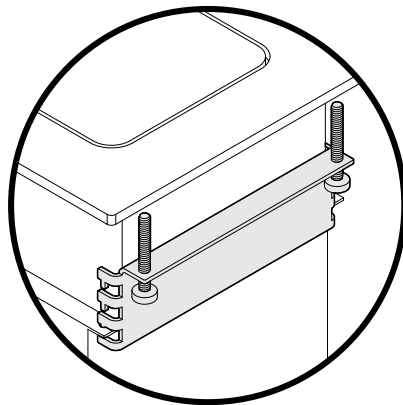


SIDE VIEW



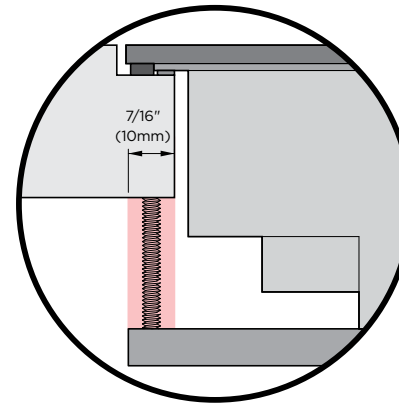
DETAIL A

Can be rotated and moved horizontally



DETAIL B

Bracket can be repositioned vertically



DETAIL C

Minimum clearance common to all brackets left/right and front/rear

CLAMPS

Clamps are supplied with modules to secure their position to benchtop. There are two types, common and rear downdraft.

It is recommended to have 7/16" (10mm) clearance from edge of cutout for clamp engagement.

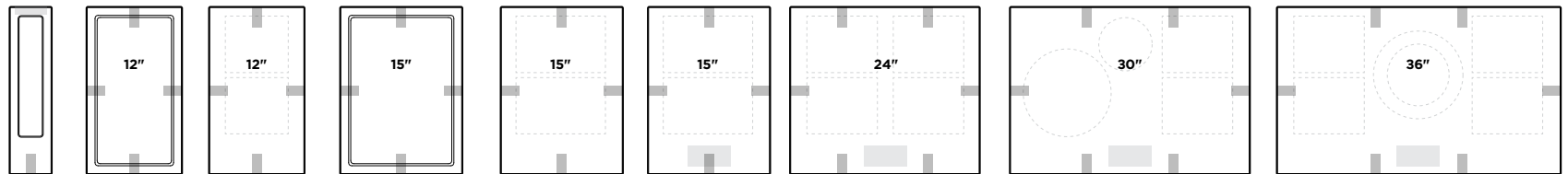
Clamps are attached to chassis at fixed hole locations. A minimum of 2 clamps are required per module, it is recommended they are positioned on opposite sides of each module eg. left and right or front and rear.

For more details please refer to Install Guide.

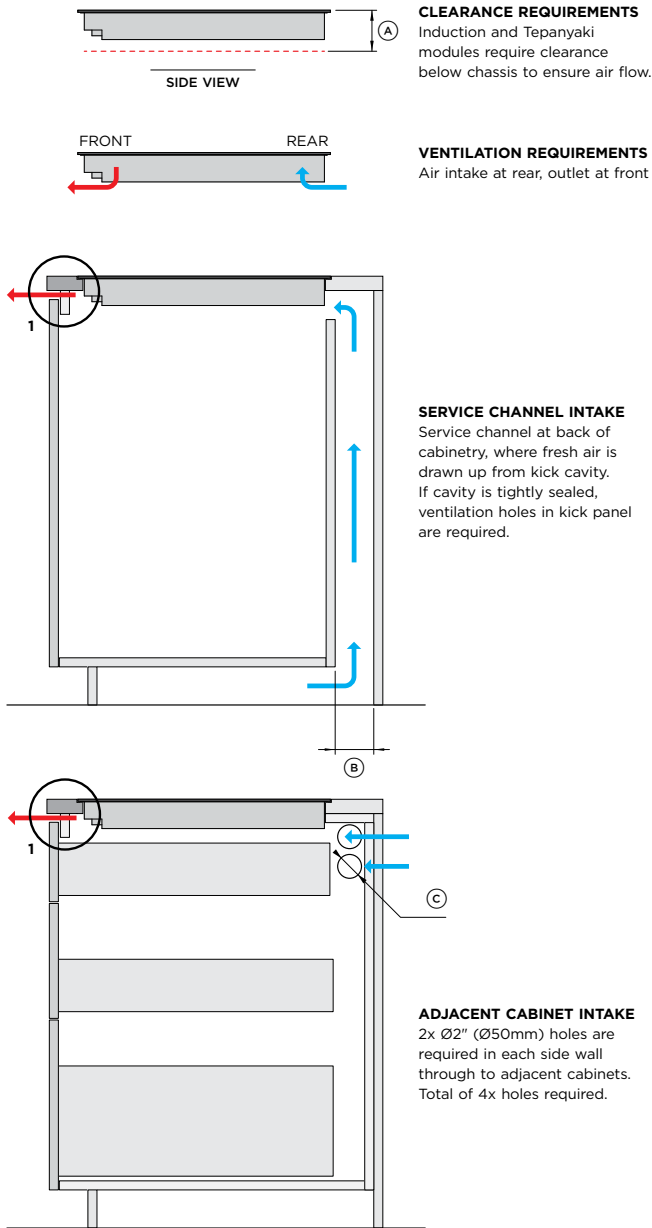
CLAMP FIXING LOCATIONS

PLAN VIEW

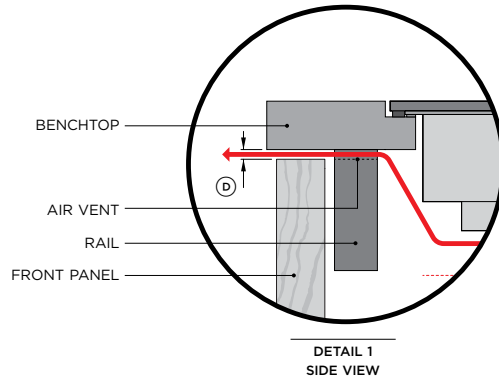
Minimum of 2 clamps per module.



The models shown in this Planning Guide may not be available in all markets and are subject to change at any time. Product specifications may vary from those shown. This Planning Guide should not be used as installation guidance for any product. Further information is required to safely and correctly install the products featured here. Specific installation guidance will be available with the product on delivery and on our website fisherpaykel.com



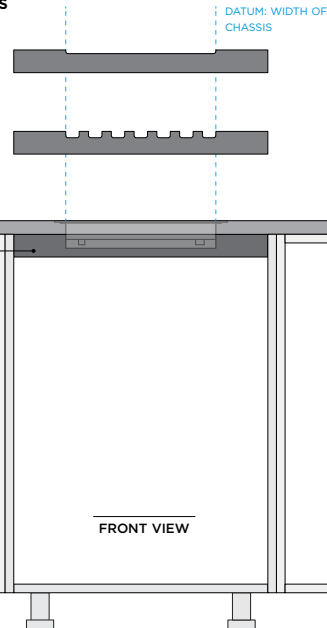
VENTILATION OUTLET
Hot air from Induction and Tepanyaki modules must be able to exit at front of cabinets, the most direct route is recommended. The detail below shows one solution where cutouts have been made in the support rail at front of cabinet, other routes are possible but must meet dimensional guidelines in table.



EXAMPLE VENTILATION CUTOUTS

Single cutout in rail, full width of chassis, 3/16" (4mm) high.

Example of alternate cutout where equivalent ventilation area is achieved.



VENTILATION OVERVIEW

The Induction and Tepanyaki modules require ventilation to allow cooling of the electronic components within the chassis. Cooling fans are located on the base of the product drawing cool air into the rear of the product while hot air exits from vents at the front.

Provisions are required in cabinetry to allow fresh air to enter and hot air to exit to ensure product ventilation and optimum product performance. When multiple products are installed their individual ventilation requirements must also be combined.

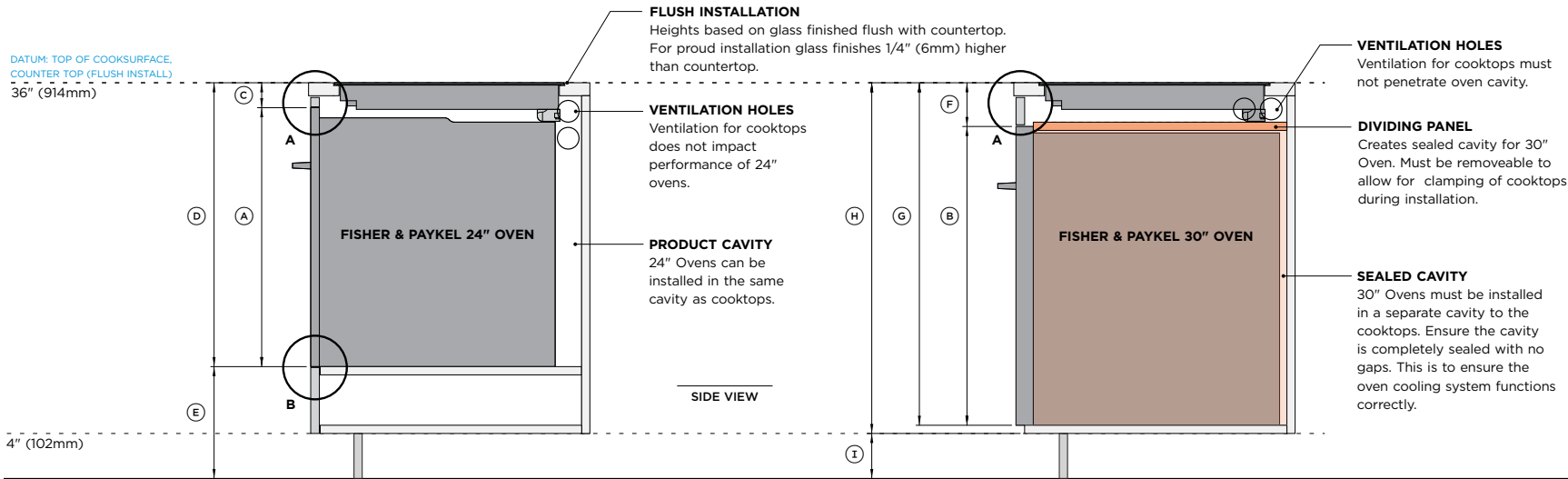
Gas on Glass modules do not require ventilation.

CLEARANCE REQUIREMENTS	in	mm
Ⓐ Clearance below chassis from top of cook surface		
Induction 12", 15"	2 7/8	72
Induction 24", 30", 36"	3 5/8	91
Tepanyaki 12", 15"	3 7/16	86
Gas on Glass 15"	3	76

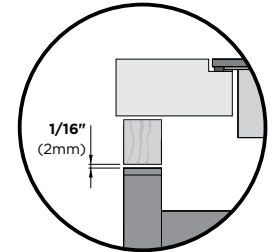
VENTILATION REQUIREMENTS *	in	mm	in ²	cm ²
INTAKE at rear				
Ⓑ via service channel, min depth	13/16	20	-	-
Ⓒ through adjacent cabinets, per side wall**	2x Ø2"	2x Ø50	6.2	40
OUTLET at front*				
Ⓓ 3/16" (4mm) gap along width of chassis				
12"	10 1/16 x 3/16	255 x 4	1.6	10
15"	13 3/8 x 3/16	340 x 4	2.2	14
24"	21 7/8 x 3/16	555 x 4	3.4	22
30"	29 15/16 x 3/16	715 x 4	4.7	30
36"	33 11/16 x 3/16	855 x 4	5.3	34

* Not required for Gas on Glass modules
** Vents with equivalent-sized area possible. Must be positioned in front of product.

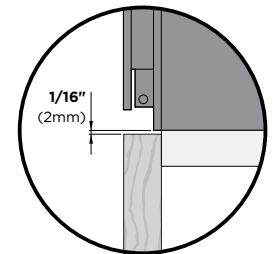
The models shown in this Planning Guide may not be available in all markets and are subject to change at any time. Product specifications may vary from those shown. This Planning Guide should not be used as installation guidance for any product. Further information is required to safely and correctly install the products featured here. Specific installation guidance will be available with the product on delivery and on our website fisherpaykel.com



OVEN CLEARANCE TO PANELS
A minimum vertical clearance of 1/16" (2mm) is required between ovens and cabinetry front panels. The clearance above an oven can contribute to ventilation requirements of cooktops (refer previous page).



DETAIL A - TOP OF OVEN



DETAIL B - BASE OF OVEN

INSTALLATION WITH OVENS

Fisher & Paykel 24" and 30" Built in Ovens can be installed under modular cooktops.

This overview is based on minimum vertical clearance requirements between cooktop, oven and cabinetry (where required). A benchtop height of 36" (914mm) has been used for calculations.

When installing multiple cooktops the product with the greatest height to oven should be used to determine cabinetry requirements.

BUILT IN OVEN DIMENSIONS

	in	mm
24" OVEN - OB24SDPTDX2, OB24SMPTDB1, OB24SMPTNB1, OB24SD16PLX1, OB24SD11PLX1, OB24SCD9PB1		
(A) Height of oven	23 9/16	598
Width of oven	23 7/16	596
30" OVEN - OB30SPPTX1, OB30SDPTDB1, OB30SDPTDX2, OB30SD17PLX1, OB30SD14PLX1		
(B) Height of oven	27 3/16	690
Width of oven	29 15/16	760

CABINETY DIMENSION OVERVIEW

	in	mm
24" OVEN OB24		
(C) Minimum height from top of cooksurface to top of oven	2 7/16	61
(D) Minimum height from top of cooksurface to bottom of oven	25 15/16	659
(E) Resulting height from bottom of oven to floor *	10 1/16	255
30" OVEN OB30		
(F) Minimum height from top of cooksurface to top of oven	4	102
(G) Minimum height from top of cooksurface to bottom of oven	31 1/8	791
(H) Minimum height from top of cooksurface to bottom of cabinet **	31 7/8	810
(I) Resulting kick height from bottom of cabinet * **	4	104

* Based on countertop height of 36" (914mm) with cooktops installed flush with countertop, with cooktops and ovens installed to minimum clearance specifications.

** Nominal panel thickness of 3/4" (19mm) used for cabinetry carcass and dividing panel. Thickness of panels can be reduced if airtightness and sufficient strength to support oven can be maintained.

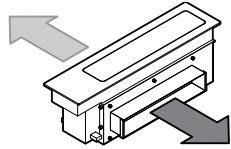
INSTALLATION WITH OVENS

For complete oven specifications please refer to specific Planning Guide, Installation Guide and CAD.

in	mm	in	mm	in	mm	in	mm		
Induction 24" 30" 36"		Induction 12", 15"		Teppanyaki 12", 15"		Gas on Glass 15"		Modular Ventilation	
1 15/16	49	2 1/2	63	2 1/8	53	6 7/16	164	30	762
25 1/2	647	26	661	25 5/8	651	3	76	6	152
10 1/2	267	10	253	10 3/8	263				
Induction 24" 30" 36"		Induction 12", 15"		Teppanyaki 12", 15"		Gas on Glass 15"		Modular Ventilation	
4	102	3 1/4	83	3 13/16	97	3 7/16	87	7 13/16	198
31 1/8	791	30 7/8	772	30 15/16	786	30 9/16	776	34 15/16	887
31 7/8	810	31 1/8	791	31 11/16	805	31 5/16	795	35 11/16	906
4	104	4 13/16	123	4 5/16	109	4 11/16	119	5/16	8

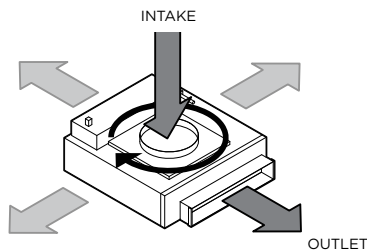
The models shown in this Planning Guide may not be available in all markets and are subject to change at any time. Product specifications may vary from those shown. This Planning Guide should not be used as installation guidance for any product. Further information is required to safely and correctly install the products featured here. Specific installation guidance will be available with the product on delivery and on our website fisherpaykel.com

MODULAR VENTILATION COMPONENTS



MAINBOX

Outlet can be positioned to the left or right.



BLOWERBOX

Can be rotated 360° to allow a variety of outlet directions.

IMPORTANT

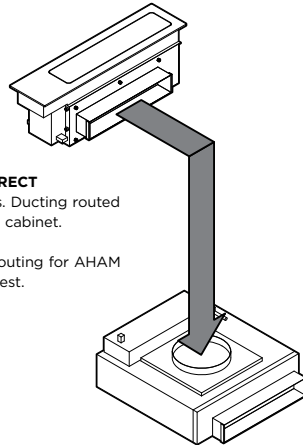
Blowerbox inlet and outlet are offset, component is not symmetrical.

CARE TO BE TAKEN WHEN PLANNING.

It is essential to work with CAD downloads of modular ventilation components to design a ducting layout best suited to specific cabinetry requirements.

DUCT ROUTING

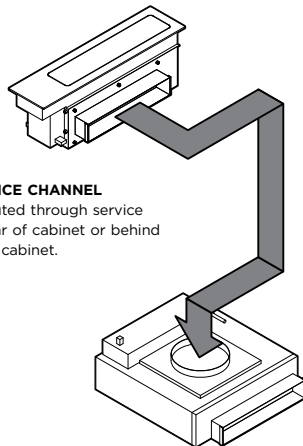
Representational airflow showing indicative routing for ducting.



DIRECT

Minimal bends. Ducting routed within cabinet.

Indicative of routing for AHAM test.

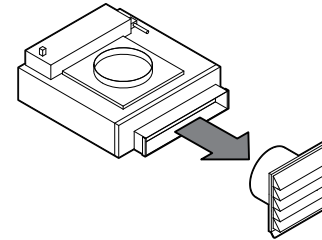


SERVICE CHANNEL

Ducting routed through service channel at rear of cabinet or behind cabinet.

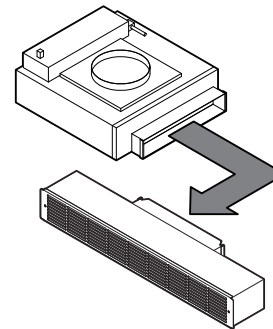
VENTING

Ventilation can be externally vented or recirculated internally.



EXTERNAL VENTILATION

Blowerbox is connected to grille which vents air outside of building.



INTERNAL RECIRCULATION

Blower box is connect to Recirculation Kit (accessory KRECIRCDFT). Air is filtered before being vented internally into buiding.

IMPORTANT

Air vented from multiple blower boxes must be not be connected to a common external vent or recirculation kit.

MODULAR VENTILATION

The Auxiliary Modular Ventilation system is comprised of two key components, the mainbox and blowerbox. The mainbox is positioned alongside modular cooktops in the countertop, while the blowerbox can be positioned on the floor within cabinetry or below the floor eg. basement.

The units are supplied with 3.25" x 12" outlets which will accommodate metal ducting of equivalent size. Alternate outlet adapters are available to suit 2.25" x 12" duct systems.

IMPORTANT:

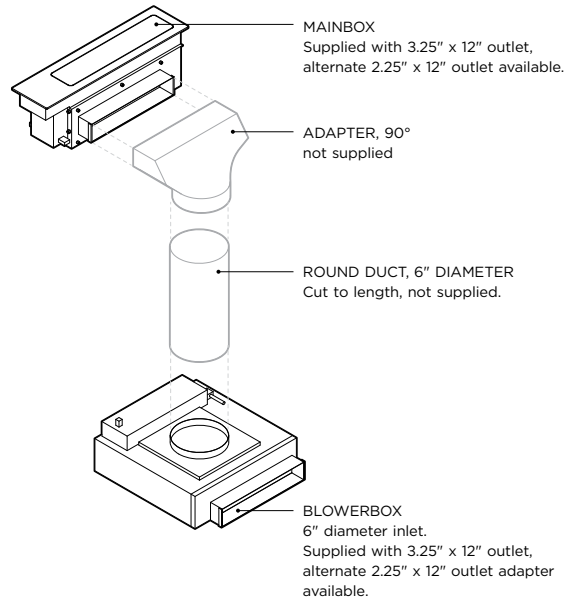
Model not supplied with ducting. Use only metal ductwork to reduce the risk of fire. Do not use flexible ducting.

Venting directly into the cabinet with no vent is not permitted. Do not vent exhaust air into spaces within the walls or ceilings or into attics, crawl spaces, or garages.

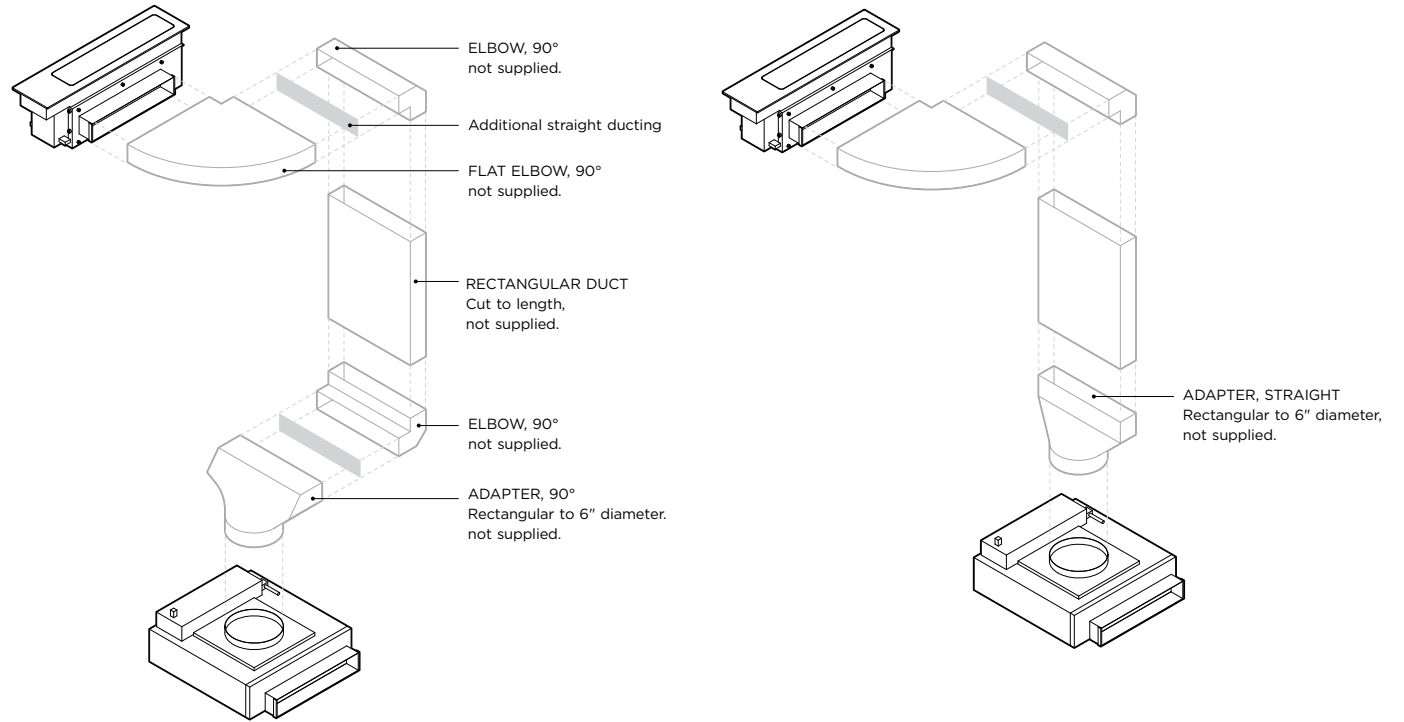
WARNING:

The Modular Ventilation unit cannot be used alongside a gas cooktop.

DIRECT ROUTING



ROUTING THROUGH SERVICE CHANNEL



IMPORTANT

AHAM test performed with direct routing.

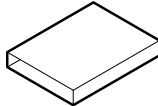
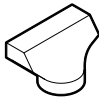
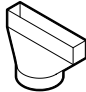

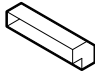
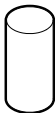

DUCTING SCENARIO EXAMPLES

Diagrams are to provide examples of possible ducting layouts.

Ducting components and layout are indicative only and should be adapted to suit specific cabinetry requirements.

Ducting is shown for reference only. Fisher & Paykel does not supply ducting parts. These can be purchased from most hardware stores.

The models shown in this Planning Guide may not be available in all markets and are subject to change at any time. Product specifications may vary from those shown. This Planning Guide should not be used as installation guidance for any product. Further information is required to safely and correctly install the products featured here. Specific installation guidance will be available with the product on delivery and on our website fisherpaykel.com

	COMPONENT	EQUIVALENT LENGTH OF 3.25X12"
	Metal straight ducting - 1ft length (3.25x12")	1 ft
	Metal rectangular to round bend - 90° (3.25x12" to 6")	5 ft
	Metal rectangular to round transition - straight (3.25x12" to 6")	4ft
	Metal horizontal bend - 90° (3.25x12")	17 ft
	Metal vertical bend - 90° (3.25x12")	25 ft
	Metal straight ducting - 1ft length (6" round)	1.7 ft
	Round Metal bend - 90° (6" round)	17 ft

RECOMMENDED DUCT LENGTH

3.25 x 12" ducting components are recommended for optimum extraction performance.

Total equivalent length of ducting after the blower box is recommended to be less than 100ft.

Refer to table for estimated equivalent lengths for various duct components. Wall outlet cap has been taken into consideration.

Do not include in equivalent feet calculations.

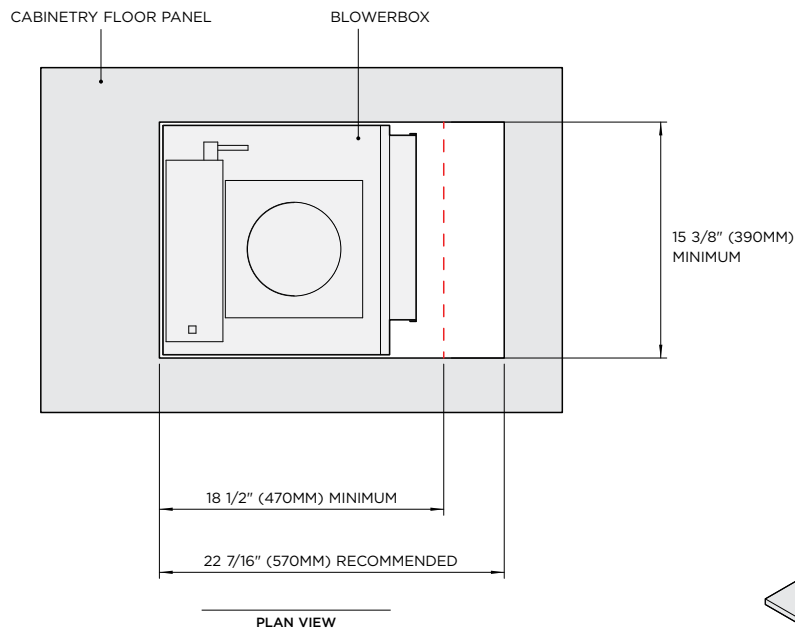
Fisher & Paykel does not supply ducting components.

The models shown in this Planning Guide may not be available in all markets and are subject to change at any time. Product specifications may vary from those shown. This Planning Guide should not be used as installation guidance for any product. Further information is required to safely and correctly install the products featured here. Specific installation guidance will be available with the product on delivery and on our website fisherpaykel.com

BLOWERBOX CUTOUT

The Blowerbox requires a minimum cutout of 15 3/8" x 18 1/2" (390mm x 470mm) in base of cabinetry so it can be positioned on the floor.

For ease of installation and connection to outlet ducting it is recommended that the cutout is increased to 15 3/8" x 22 7/16" (390mm x 570mm).



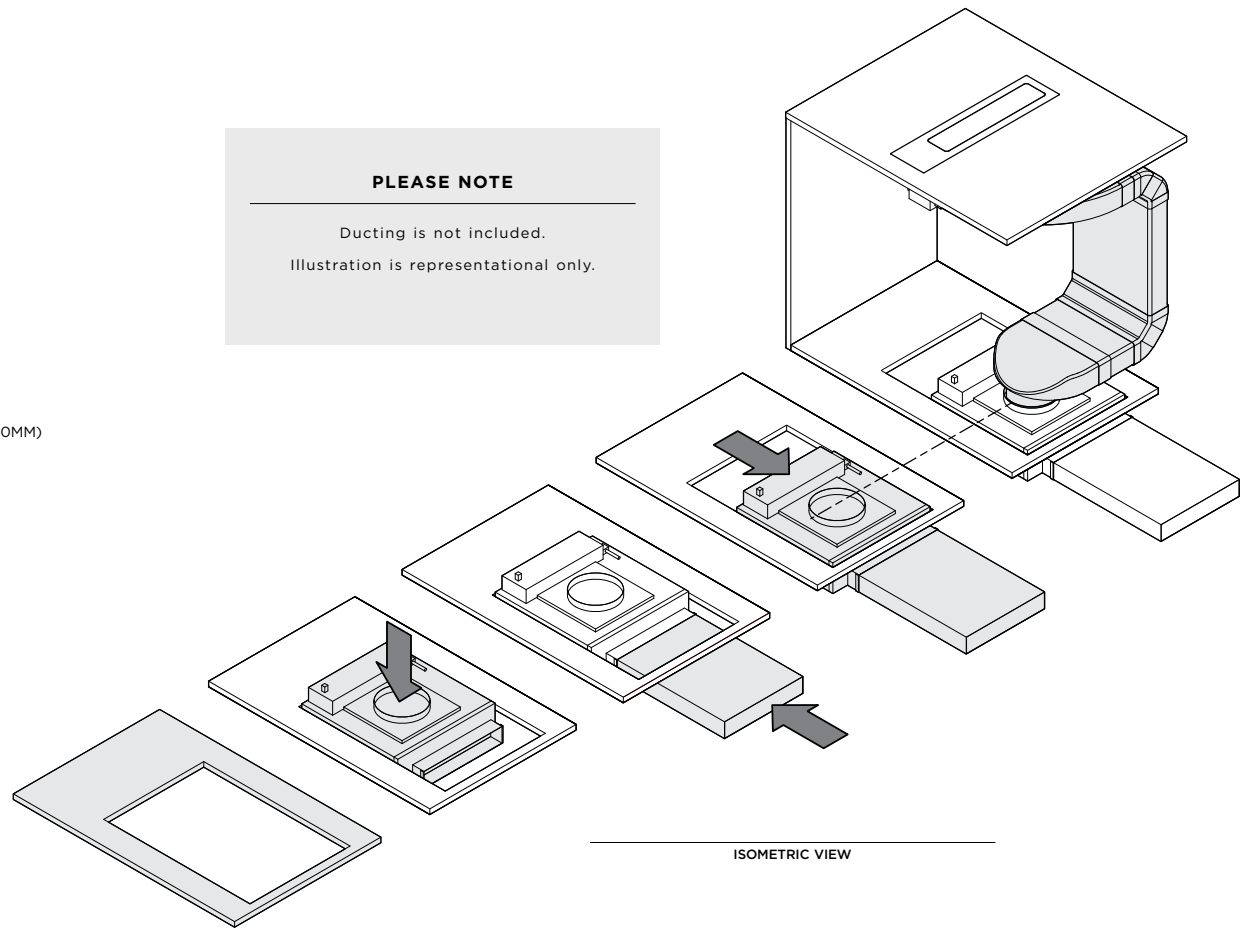
IMPORTANT

The position of the cutout may not be central to floor panel.
Pre-planning is required. It is essential to work with CAD downloads of modular ventilation components to design a layout suited to specific cabinetry requirements.

BLOWERBOX INSTALLATION OVERVIEW

PLEASE NOTE

Ducting is not included.
Illustration is representational only.



①

Cut hole in bottom of cabinetry panel

②

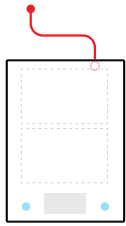
Lower blowerbox onto floor.

③

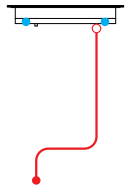
Oversized hole allows access to connect ducting

④

Blowerbox repositioned to achieve alignment with ducting.

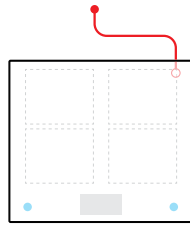


TOP VIEW

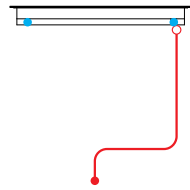


FRONT VIEW

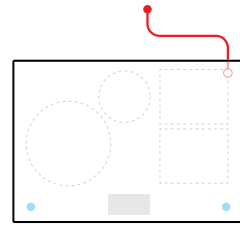
— POWER CABLE
• COMMUNICATION PORT



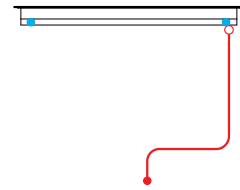
TOP VIEW



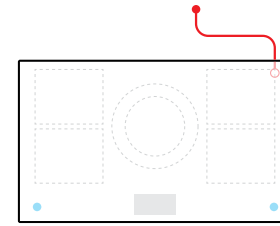
FRONT VIEW



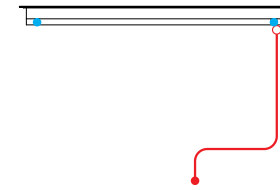
TOP VIEW



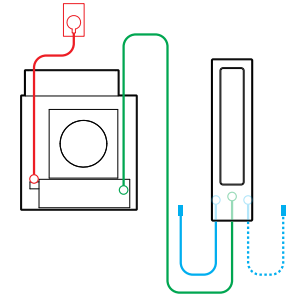
FRONT VIEW



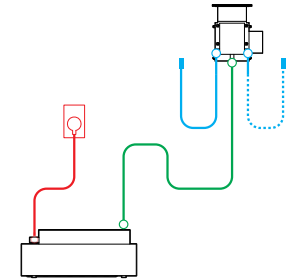
TOP VIEW



FRONT VIEW



TOP VIEW



FRONT VIEW

PRIMARY MODULAR INDUCTION COOKTOP, 15"
2 ZONES WITH SMARTZONE

Model no:
CI152DTTB1

Dimensions	in	mm
Power Cable	74 13/16	1900

PRIMARY MODULAR INDUCTION COOKTOP, 24"
4 ZONES WITH SMARTZONE

Model no:
CI244DTTB1

Dimensions	in	mm
Power Cable	54 5/16	1380

PRIMARY MODULAR INDUCTION COOKTOP, 30"
4 ZONES WITH SMARTZONE

Model no:
CI304DTTB1

Dimensions	in	mm
Power Cable	54 5/16	1380

PRIMARY MODULAR INDUCTION COOKTOP, 36"
5 ZONES WITH SMARTZONE

Model no:
CI365DTTB1

Dimensions	in	mm
Power Cable	54 5/16	1380

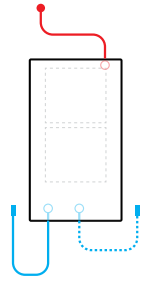
AUXILIARY MODULAR VENTILATION, 5"

Model no:
CD5DB1

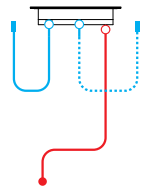
Dimensions	in	mm
External Communication Harness*	19 11/16	500
Central Communication Harness*	66 15/16	1700
Power Cable	28	720

* x1 supplied with each auxiliary unit

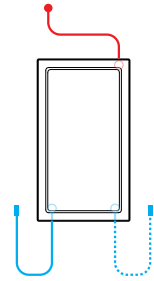
The models shown in this Planning Guide may not be available in all markets and are subject to change at any time. Product specifications may vary from those shown. This Planning Guide should not be used as installation guidance for any product. Further information is required to safely and correctly install the products featured here. Specific installation guidance will be available with the product on delivery and on our website fisherpaykel.com



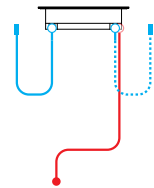
TOP VIEW



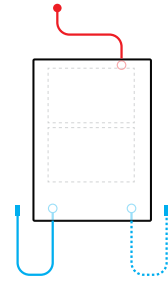
FRONT VIEW



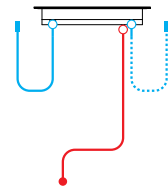
TOP VIEW



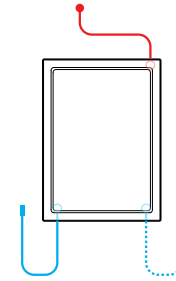
FRONT VIEW



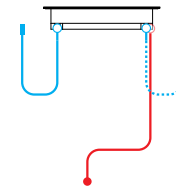
TOP VIEW



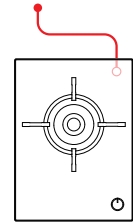
FRONT VIEW



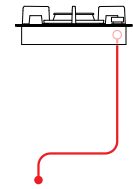
TOP VIEW



FRONT VIEW



TOP VIEW



FRONT VIEW

EXTERNAL COMMUNICATION HARNESS
CENTRAL COMMUNICATION HARNESS
POWER CABLE

**AUXILIARY MODULAR INDUCTION COOKTOP, 12",
2 ZONES WITH SMARTZONE**

Model no:
C1122DB1

Dimensions	in	mm
External Communication Harness*	19 11/16	500
Power Cable*	74 13/16	1900

* x1 supplied with each auxiliary unit

**AUXILIARY MODULAR TEPPANYAKI COOKTOP, 12",
2 ZONES**

Model no:
C1T122DX1

Dimensions	in	mm
External Communication Harness*	19 11/16	500
Power Cable*	74 13/16	1900

* x1 supplied with each auxiliary unit

**AUXILIARY MODULAR INDUCTION COOKTOP, 15",
2 ZONES WITH SMARTZONE**

Model no:
C1152DB1

Dimensions	in	mm
External Communication Harness*	19 11/16	500
Power Cable*	74 13/16	1900

* x1 supplied with each auxiliary unit

**AUXILIARY MODULAR TEPPANYAKI COOKTOP, 15",
2 ZONES**

Model no:
C1T152DX1

Dimensions	in	mm
External Communication Harness*	19 11/16	500
Power Cable*	74 13/16	1900

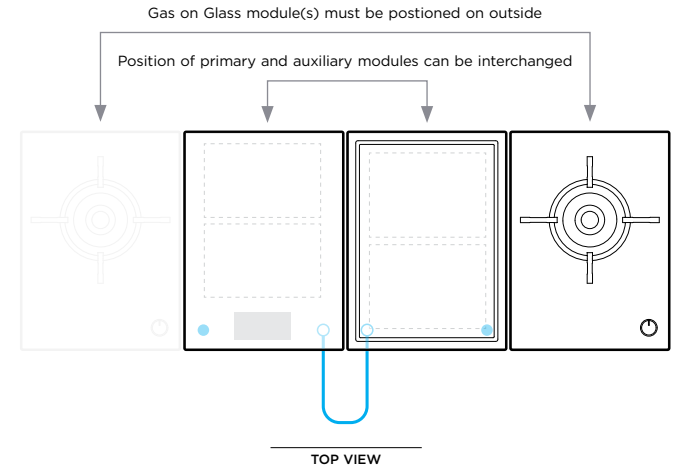
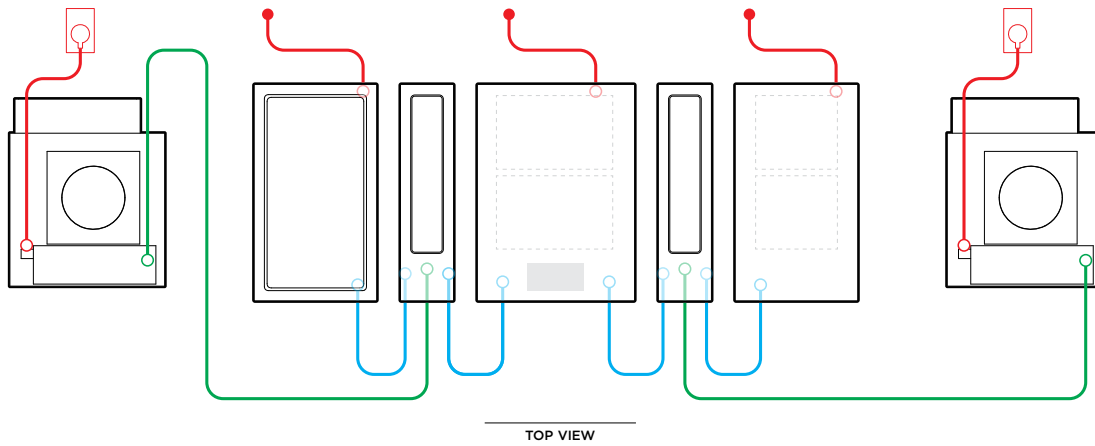
* x1 supplied with each auxiliary unit

GAS ON GLASS MODULAR COOKTOP, 15"

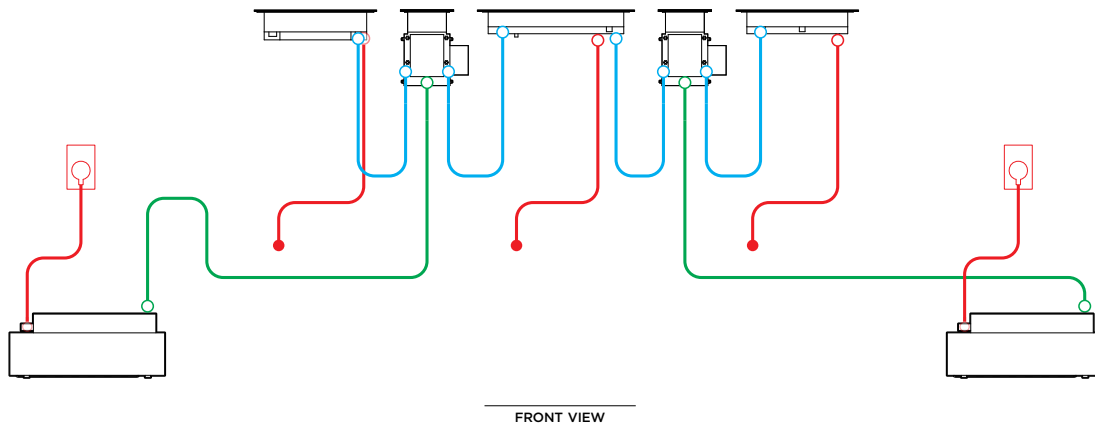
Model no:
CG151DLPGB5 LPG
CG151DNGGB5 Natural Gas

Dimensions	in	mm
Power Cable	45 11/16	1160

The models shown in this Planning Guide may not be available in all markets and are subject to change at any time. Product specifications may vary from those shown. This Planning Guide should not be used as installation guidance for any product. Further information is required to safely and correctly install the products featured here. Specific installation guidance will be available with the product on delivery and on our website fisherpaykel.com



- EXTERNAL COMMUNICATION HARNESS
- CENTRAL COMMUNICATION HARNESS
- POWER CABLE



SUPPLIED HARNESS

External communication harnesses connect auxiliary modules to the primary module.

These connections must be to the product directly adjacent in a 'daisy chain' configuration (refer diagram). Gas on glass modules do not require a communication harness and must not be placed between primary and auxiliary modules.

1x External communication harness is supplied with each auxiliary module (induction, teppanyaki and downdraft ventilation).

1x Central communication harness is supplied with auxiliary modular ventilation to connect downdraft mainbox with blowerbox.

ELECTRICAL SERVICE FOR MULTIPLE PRODUCT INSTALLS

Where multiple products are being installed together, it is possible to use a smaller local distribution board, rather than running multiple separate lines. For example, 2 x 15 A modules can be connected via a single 30 A breaker.

This cooktop must be connected to the mains power supply only by a suitably qualified person.

The models shown in this Planning Guide may not be available in all markets and are subject to change at any time. Product specifications may vary from those shown. This Planning Guide should not be used as installation guidance for any product. Further information is required to safely and correctly install the products featured here. Specific installation guidance will be available with the product on delivery and on our website fisherpaykel.com

