

SERIES 5 INDUCTION COOKTOPS

PLANNING GUIDE

30CM 2 ZONE INDUCTION COOKTOP SMARTZONE

CI302ZCTB2

60CM 4 ZONE INDUCTION COOKTOP

CI604CTB2 | CI604CTPB2

60CM 4 ZONE INDUCTION COOKTOP SMARTZONE

CI604ZCTB2 | CI604ZCTPB2

90CM 5 ZONE INDUCTION COOKTOP

CI905CTB2 | CI905CTPB2

90CM 5 ZONE INDUCTION COOKTOP SMARTZONE

CI905ZCTB2 | CI905ZCTPB2

FISHER & PAYKEL

INTRODUCTION

This comprehensive planning guide provides you with the framework and tools to achieve your desired design outcome with Fisher & Paykel appliances. In this guide, you will find a range of conceptual, detailed, and dimensional product information to bring your ideas to life and create spaces that truly reflect your vision.

SUPPORT

For additional design planning and installation support please contact the Fisher & Paykel design support team.
designsupport@fisherpaykel.com

NOTES

The models shown in this Planning Guide may not be available in all markets and are subject to change at any time. Refer to our website fisherpaykel.com for the latest document version. Product specifications may vary from those shown. This Planning Guide should not be used as installation guidance for any product. Specific installation guidance will be available with the product on delivery and on our website.

CONTENTS

CONCEPT DESIGN	PAGE	CONCEPT DESIGN	PAGE	DEVELOPED AND DETAILED DESIGN	PAGE
SPECIFICATION GUIDE					
Model Comparison	4	DATA SHEETS			
30cm 2 Zone Induction Cooktop SmartZone CI302ZCTB2	5	30cm 2 Zone Induction Cooktop SmartZone CI302CTB2	14		
30cm 2 Zone Induction Cooktop SmartZone CI302CTB2	6	60cm 4 Zone Induction Cooktops CI604CTB2, CI604CTPB2, CI604ZCTB2, CI604ZCTPB2	15		
60cm 4 Zone Induction Cooktop CI604CTB2, CI604CTPB2	7	90cm 5 Zone Induction Cooktops CI905CTB2, CI905CTPB2, CI905ZCTB2, CI905ZCTPB2	16		
60cm 4 Zone Induction Cooktop SmartZone CI604ZCTB2, CI604ZCTPB2	8	PLANNING CONSIDERATIONS			
60cm 4 Zone Induction Cooktops CI604CTB2, CI604CTPB2, CI604ZCTB2, CI604ZCTPB2	9	Cooktop Ventilation	18		
90cm 5 Zone Induction Cooktop CI905CTB2, CI905CTPB2	10	Model Comparison	18		
90cm 5 Zone Induction Cooktop SmartZone CI905ZCTB2, CI905ZCTPB2	11	Cabinetry Clearances	19		
90cm 5 Zone Induction Cooktops CI905CTB2, CI905CTPB2, CI905ZCTB2, CI905ZCTPB2	12				

SPECIFICATION GUIDE



Induction Cooktop	30cm Series 5 2 Zone Induction Cooktop SmartZone		60cm Series 5 4 Zone Induction Cooktop		60cm Series 5 4 Zone Induction Cooktop SmartZone		90cm Series 5 5 Zone Induction Cooktop		90cm Series 5 5 Zone Induction Cooktop SmartZone	
Product Code	CI302ZCTB2		CI604CTB2	CI604CTPB2	CI604ZCTB2	CI604ZCTPB2	CI905CTB2	CI905CTPB2	CI905ZCTB2	CI905ZCTPB2
Series	Series 5		Series 5	Series 5	Series 5	Series 5	Series 5	Series 5	Series 5	Series 5
Zones	2 Zones		4 Zones	4 Zones	4 Zones	4 Zones	5 Zones	5 Zones	5 Zones	5 Zones
SmartZone	SmartZone				SmartZone	SmartZone			SmartZone	SmartZone
Low Current				Low Current		Low Current		Low Current		Low Current
Product Size W x D x H	300 x 530 x 61		600 x 530 x 61	600 x 530 x 61	600 x 530 x 61	600 x 530 x 61	900 x 530 x 61	900 x 530 x 61	900 x 530 x 61	900 x 530 x 61
Cut Out W x D	265 x 500		560 x 490	560 x 490	560 x 490	560 x 490	850 x 490	850 x 490	850 x 490	850 x 490
Power Supply	220-240 V, 50 Hz		220-240 V, 50 Hz 380-415 V, 50 Hz	220-240 V, 50 Hz 380-415 V, 50 Hz	220-240 V, 50 Hz 380-415 V, 50 Hz	220-240 V, 50 Hz 380-415 V, 50 Hz	220-240 V, 50 Hz 380-415 V, 50 Hz	220-240 V, 50 Hz 380-415 V, 50 Hz	220-240 V, 50 Hz 380-415 V, 50 Hz	220-240 V, 50 Hz 380-415 V, 50 Hz
Service	16 A		32 A	20A	32 A	20 A	45 A	20 A	45 A	20 A

The models shown in this Planning Guide may not be available in all markets and are subject to change at any time. Product specifications may vary from those shown. Throughout this guide, dimensions may vary by ±2mm. This Planning Guide should not be used as installation guidance for any product. Further information is required to safely and correctly install the products featured here. Specific installation guidance will be available with the product on delivery and on our website fisherpaykel.com



OVERVIEW

The 30cm induction cooktop features sleek black glass, intuitive single slider control, and two zones with one SmartZone for larger cooking areas. With link mode, connecting the cooktop to a compatible rangehood, it is well suited to modern kitchens with limited space.

PRODUCTS

CI302ZCTB2

30cm Series 5 2 Zone Induction Cooktop SmartZone

FEATURES

- ① Two cooking zones with one SmartZone for larger cooking surfaces.
- ② Compact design, ideal for smaller kitchens or tight spaces.
- ③ Sleek black glass surface complements modern kitchen designs.
- ④ Single slider control for precise and intuitive cooking adjustments.
- ⑤ Link mode connects cooktop and rangehood for automatic extraction.
- ⑥ Auto switch-off feature for enhanced safety during cooking.
- ⑦ Overheating protection prevents damage to the cooktop during high temperatures.
- ⑧ Over-spillage protection ensures safety in case of spills or overflow.
- ⑨ PowerBoost activates a very high heat, rapidly bringing liquid to a boil.

The models shown in this Planning Guide may not be available in all markets and are subject to change at any time. Product specifications may vary from those shown. Throughout this guide, dimensions may vary by ± 2 mm. This Planning Guide should not be used as installation guidance for any product. Further information is required to safely and correctly install the products featured here. Specific installation guidance will be available with the product on delivery and on our website fisherpaykel.com

SPECIFICATIONS

Model Number

CI302ZCTB2 30cm Series 5 2 Zone Induction Cooktop
SmartZone

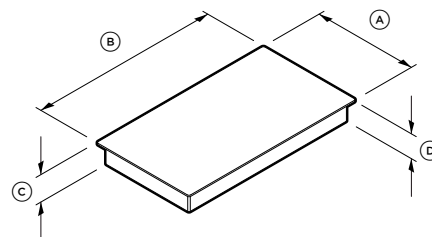
Weight

Packaged 7 kg
Unpackaged 6 kg

Electrical

Supply 220-240 V, 50 Hz
Service 16 A
Connection 1200mm cable

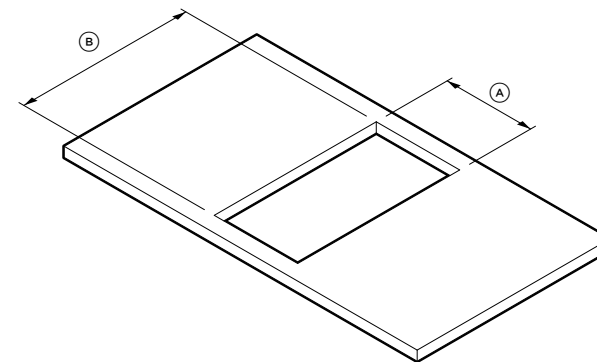
PRODUCT DIMENSIONS



ISOMETRIC VIEW

Product Dimensions	mm
(A) Overall width of cooktop	300
(B) Overall depth of cooktop	530
(C) Overall height of cooktop	61
(D) Height of chassis	56

CUTOUT DIMENSIONS



ISOMETRIC VIEW

Cutout Dimensions	mm
(A) Cutout width	265
(B) Cutout depth	500

The models shown in this Planning Guide may not be available in all markets and are subject to change at any time. Product specifications may vary from those shown. Throughout this guide, dimensions may vary by ±2mm. This Planning Guide should not be used as installation guidance for any product. Further information is required to safely and correctly install the products featured here. Specific installation guidance will be available with the product on delivery and on our website fisherpaykel.com



OVERVIEW

These 60cm 4 Zone induction cooktops feature intuitive single slider control, sleek black glass, and four versatile cooking zones. With link mode to connect the cooktop to a compatible rangehood, plus SmarthQ™ connectivity and safety features, they provide efficient, convenient cooking.

PRODUCTS

CI604CTB2

60cm Series 5 4 Zone Induction Cooktop

CI604CTPB2

60cm Series 5 4 Zone Induction Cooktop Low Current

FEATURES

- ① Four versatile cooking zones for efficient multi-dish cooking.
- ② Single slider control for precise and intuitive cooking adjustments.
- ③ Sleek black glass surface complements modern kitchen designs.
- ④ Link mode connects cooktop and rangehood for automatic extraction.
- ⑤ Auto switch-off feature for enhanced safety during cooking.
- ⑥ Overheating protection prevents damage to the cooktop during high temperatures.
- ⑦ Over-spillage protection ensures safety in case of spills or overflow.
- ⑧ PowerBoost activates a very high heat, rapidly bringing liquid to a boil.
- ⑨ Low current model (CI604CTPB2) supports cost-effective installation and energy efficiency.

The models shown in this Planning Guide may not be available in all markets and are subject to change at any time. Product specifications may vary from those shown. Throughout this guide, dimensions may vary by ± 2 mm. This Planning Guide should not be used as installation guidance for any product. Further information is required to safely and correctly install the products featured here. Specific installation guidance will be available with the product on delivery and on our website fisherpaykel.com



OVERVIEW

These 60cm 4 Zone induction cooktops with SmartZone technology allow larger cooking surfaces. With sleek black glass, single slider control, and link mode to connect the cooktop to a compatible rangehood, they ensure efficient cooking. SmartHQ™ app connectivity, combined with safety features, provides convenience and performance in modern kitchens.

PRODUCTS

CI604ZCTB2

60cm Series 5 4 Zone Induction Cooktop SmartZone

CI604ZCTPB2

60cm Series 5 4 Zone Induction Cooktop SmartZone Low Current

FEATURES

- ① Four cooking zones with one SmartZone for larger, combined cooking areas.
- ② Sleek black glass surface complements modern kitchen designs.
- ③ Single slider control for precise and intuitive cooking adjustments.
- ④ Link mode connects cooktop and rangehood for automatic extraction.
- ⑤ Auto switch-off feature for enhanced safety during cooking.
- ⑥ Overheating protection prevents damage to the cooktop during high temperatures.
- ⑦ Over-spillage protection ensures safety in case of spills or overflow.
- ⑧ PowerBoost activates a very high heat, rapidly bringing liquid to a boil.
- ⑨ Low current model (CI604ZCTPB2) supports cost-effective installation and energy efficiency.

The models shown in this Planning Guide may not be available in all markets and are subject to change at any time. Product specifications may vary from those shown. Throughout this guide, dimensions may vary by ±2mm. This Planning Guide should not be used as installation guidance for any product. Further information is required to safely and correctly install the products featured here. Specific installation guidance will be available with the product on delivery and on our website fisherpaykel.com

SPECIFICATIONS

Model Number

CI604CTB2	60cm Series 5 4 Zone Induction Cooktop
CI604CTPB2	60cm Series 5 4 Zone Induction Cooktop Low Current
CI604ZCTB2	60cm Series 5 4 Zone Induction Cooktop SmartZone
CI604ZCTPB2	60cm Series 5 4 Zone Induction Cooktop SmartZone Low Current

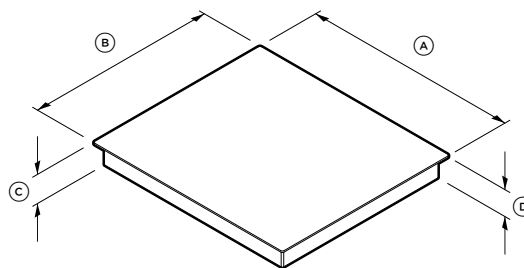
Weight

Packaged	10 kg
Unpackaged	9 kg

Electrical

CI604CTB2	Supply	220-240 V, 50 Hz 380-415 V, 50 Hz
	Service	32 A
CI604CTPB2	Supply	220-240 V, 50 Hz 380-415 V, 50 Hz
	Service	20 A
CI604ZCTB2	Supply	220-240 V, 50 Hz 380-415 V, 50 Hz
	Service	32 A
CI604ZCTPB2	Supply	220-240 V, 50 Hz 380-415 V, 50 Hz
	Service	20 A
Connection	1200mm cable	

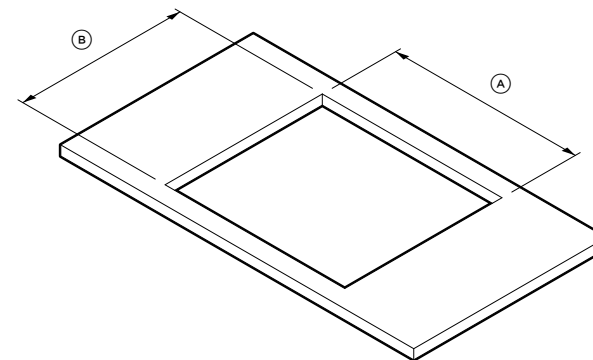
PRODUCT DIMENSIONS



ISOMETRIC VIEW

Product Dimensions		mm
A	Overall width of cooktop	600
B	Overall depth of cooktop	530
C	Overall height of cooktop	61
D	Height of chassis	56

CUTOUT DIMENSIONS



ISOMETRIC VIEW

Cutout Dimensions		mm
A	Cutout width	560
B	Cutout depth	490

The models shown in this Planning Guide may not be available in all markets and are subject to change at any time. Product specifications may vary from those shown. Throughout this guide, dimensions may vary by ±2mm. This Planning Guide should not be used as installation guidance for any product. Further information is required to safely and correctly install the products featured here. Specific installation guidance will be available with the product on delivery and on our website fisherpaykel.com



OVERVIEW

These 90cm 5 Zone induction cooktops feature sleek black glass and five versatile cooking zones for maximum flexibility. With single slider control and link mode to connect the cooktop to a compatible rangehood, they ensure efficient cooking. SmartHQ™ app connectivity, combined with safety features, provides convenience and performance in modern kitchens.

PRODUCTS

CI905CTB2

90cm Series 5 5 Zone Induction Cooktop

CI905CTPB2

90cm Series 5 5 Zone Induction Cooktop Low Current

FEATURES

- ① Five versatile cooking zones for maximum cooking flexibility.
- ② Sleek black glass surface complements modern kitchen designs.
- ③ Single slider control for precise and intuitive cooking adjustments.
- ④ Link mode connects cooktop and rangehood for automatic extraction.
- ⑤ Auto switch-off feature for enhanced safety during cooking.
- ⑥ Overheating protection prevents damage to the cooktop during high temperatures.
- ⑦ Over-spillage protection ensures safety in case of spills or overflow.
- ⑧ PowerBoost activates a very high heat, rapidly bringing liquid to a boil.
- ⑨ Low current model (CI905CTPB2) supports cost-effective installation and energy efficiency.

The models shown in this Planning Guide may not be available in all markets and are subject to change at any time. Product specifications may vary from those shown. Throughout this guide, dimensions may vary by ±2mm. This Planning Guide should not be used as installation guidance for any product. Further information is required to safely and correctly install the products featured here. Specific installation guidance will be available with the product on delivery and on our website fisherpaykel.com



OVERVIEW

These 90cm 5 Zone induction cooktops offer sleek black glass and five cooking zones with one SmartZone for larger cooking areas. With link mode to connect the cooktop to a compatible rangehood, SmartHQ™ app connectivity, and safety features such as auto switch-off, they deliver efficiency, convenience, and performance for modern kitchens.

PRODUCTS

CI905ZCTB2

90cm Series 5 5 Zone Induction Cooktop SmartZone

CI905ZCTPB2

90cm Series 5 5 Zone Induction Cooktop SmartZone Low Current

FEATURES

- ① Five cooking zones with one SmartZone for larger cooking surfaces.
- ② Sleek black glass surface complements modern kitchen designs.
- ③ Single slider control for precise and intuitive cooking adjustments.
- ④ Link mode connects cooktop and rangehood for automatic extraction.
- ⑤ Auto switch-off feature for enhanced safety during cooking.
- ⑥ Overheating protection prevents damage to the cooktop during high temperatures.
- ⑦ Over-spillage protection ensures safety in case of spills or overflow.
- ⑧ PowerBoost activates a very high heat, rapidly bringing liquid to a boil.
- ⑨ Low current model (CI905ZCTPB2) supports cost-effective installation and energy efficiency.

The models shown in this Planning Guide may not be available in all markets and are subject to change at any time. Product specifications may vary from those shown. Throughout this guide, dimensions may vary by ±2mm. This Planning Guide should not be used as installation guidance for any product. Further information is required to safely and correctly install the products featured here. Specific installation guidance will be available with the product on delivery and on our website fisherpaykel.com

SPECIFICATIONS

Model Number

CI905CTB2	90cm Series 5 5 Zone Induction Cooktop
CI905CTPB2	90cm Series 5 5 Zone Induction Cooktop Low Current
CI905ZCTB2	90cm Series 5 5 Zone Induction Cooktop SmartZone
CI905ZCTPB2	90cm Series 5 5 Zone Induction Cooktop SmartZone Low Current

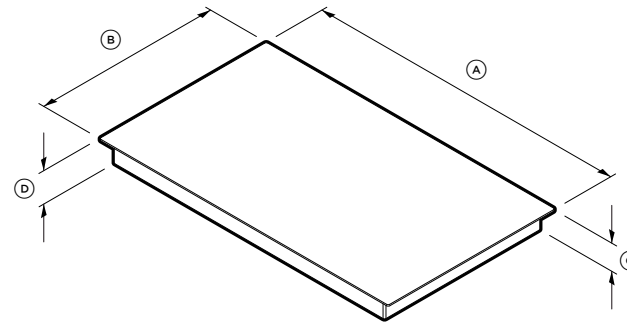
Weight

Packaged	17 kg
Unpackaged	14 kg

Electrical

CI905CTB2	Supply	220-240 V, 50 Hz 380-415 V, 50 Hz
	Service	45 A
CI905CTPB2	Supply	220-240 V, 50 Hz 380-415 V, 50 Hz
	Service	20 A
CI905ZCTB2	Supply	220-240 V, 50 Hz 380-415 V, 50 Hz
	Service	45 A
CI905ZCTPB2	Supply	220-240 V, 50 Hz 380-415 V, 50 Hz
	Service	20 A
Connection	1200mm cable	

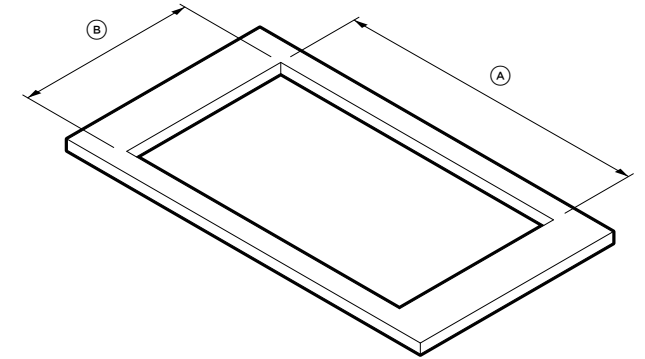
PRODUCT DIMENSIONS



ISOMETRIC VIEW

Product Dimensions		mm
(A)	Overall width of cooktop	900
(B)	Overall depth of cooktop	530
(C)	Overall height of cooktop	61
(D)	Height of chassis	56

CUTOUT DIMENSIONS

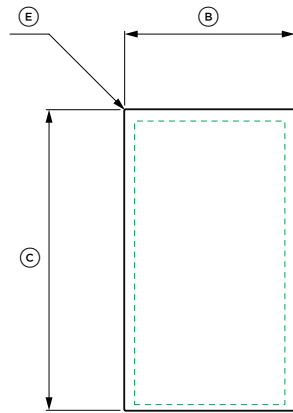


ISOMETRIC VIEW

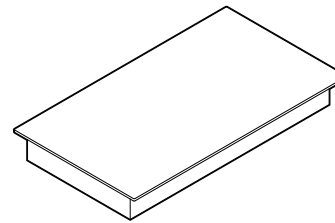
Cutout Dimensions		mm
(A)	Cutout width	850
(B)	Cutout depth	490

The models shown in this Planning Guide may not be available in all markets and are subject to change at any time. Product specifications may vary from those shown. Throughout this guide, dimensions may vary by ±2mm. This Planning Guide should not be used as installation guidance for any product. Further information is required to safely and correctly install the products featured here. Specific installation guidance will be available with the product on delivery and on our website fisherpaykel.com

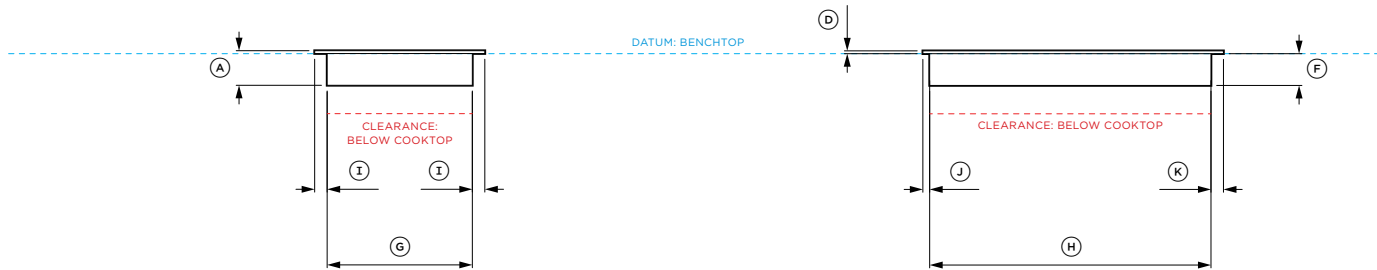
DATA SHEETS



PLAN VIEW



PROFILE VIEW



FRONT VIEW

PROFILE VIEW



Model no:

CI302ZCTB2 30cm Series 5 2 Zone Induction Cooktop SmartZone

Product Dimensions

	mm
(A) Overall height of cooktop	61
(B) Overall width of cooktop	300
(C) Overall depth of cooktop	530
(D) Height of cooktop glass (includes chassis flange)	5
(E) Corner radii of glass	2
(F) Height of chassis	56
(G) Width of chassis	256
(H) Depth of chassis	496
(I) Width of glass overhang at side of chassis	22
(J) Depth of glass overhang at front of chassis	12
(K) Depth of glass overhang at rear of chassis	22

Cutout Dimensions

	mm
Overall width of cutout	265
Overall depth of cutout	500
Maximum corner radii of cutout	10

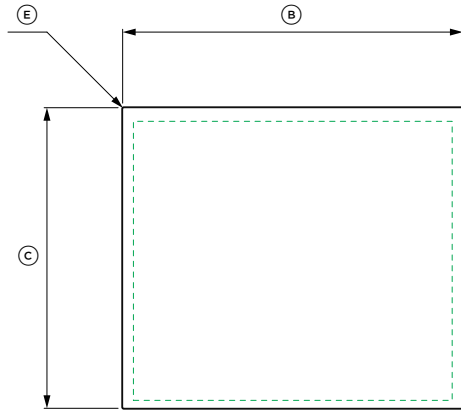
Clearance Dimensions

	mm
Minimum clearance from side and rear edges of cutout to nearest combustible surface	50
Minimum clearance from front edge of cutout to front edge of benchtop	50
Minimum clearance from cook surface to top of any appliance, companion product or obstruction below cooktop	111
Minimum clearance from cook surface to rangehood	600
Minimum ventilation gap between bottom of benchtop and top of cabinetry fronts (not shown)	5

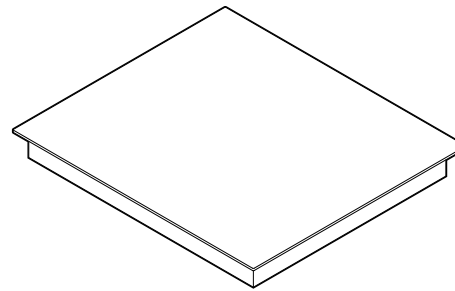
NOTE: An oven installed below the cooktop MUST have a cooling fan.

----- INDICATES CABINETY / PRODUCT DATUM
 - - - - - INDICATES CABINETY CLEARANCES
 - - - - - INDICATES CUTOUT

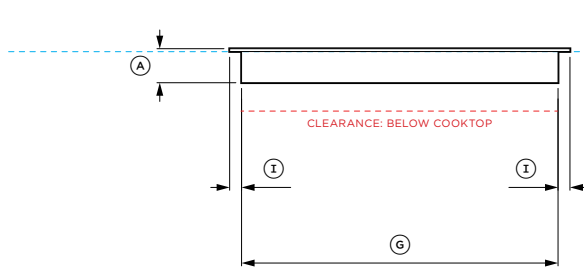
IMPORTANT NOTE: Throughout this guide, dimensions may vary by ±2mm (1/16"). Please read the installation manual for detailed information on installing the product. For full installation instructions & specifications visit fisherpaykel.com



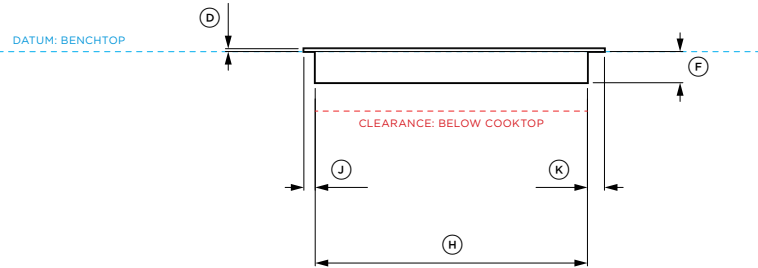
VIEW



PROFILE VIEW



FRONT VIEW



PROFILE VIEW



Model no:

CI604CTB2	60cm Series 5 5 Zone Induction Cooktop
CI604CTPB2	60cm Series 5 5 Zone Induction Cooktop Low Current
CI604ZCTB2	60cm Series 5 5 Zone Induction Cooktop SmartZone
CI604ZCTPB2	60cm Series 5 5 Zone Induction Cooktop SmartZone Low Current

Product Dimensions	mm
(A) Overall height of cooktop	61
(B) Overall width of cooktop	600
(C) Overall depth of cooktop	530
(D) Height of cooktop glass (includes chassis flange)	5
(E) Corner radii of glass	2
(F) Height of chassis	56
(G) Width of chassis	558
(H) Depth of chassis	480
(I) Width of glass overhang at side of chassis	21
(J) Depth of glass overhang at front of chassis	20
(K) Depth of glass overhang at rear of chassis	30

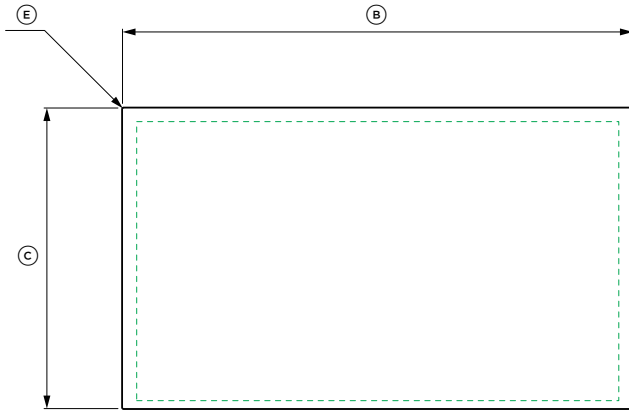
Cutout Dimensions	mm
Overall width of cutout	560
Overall depth of cutout	490
Maximum corner radii of cutout	10

Clearance Dimensions	mm
Minimum clearance from side and rear edges of cutout to nearest combustible surface	50
Minimum clearance from front edge of cutout to front edge of benchtop	50
Minimum clearance from cook surface to top of any appliance, companion product or obstruction below cooktop	111
Minimum clearance from cook surface to rangehood	600
Minimum ventilation gap between bottom of benchtop and top of cabinetry fronts (not shown)	5

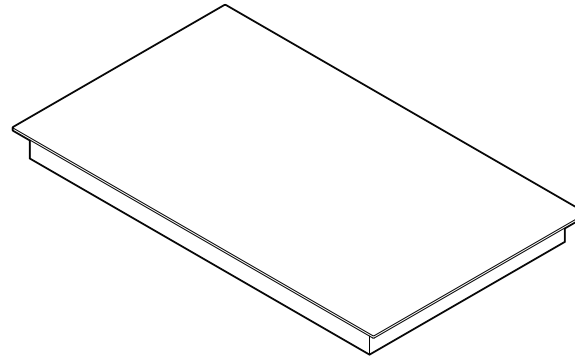
NOTE: An oven installed below the cooktop MUST have a cooling fan.

- INDICATES CABINETRY / PRODUCT DATUM
- INDICATES CABINETRY CLEARANCES
- INDICATES CUTOUT

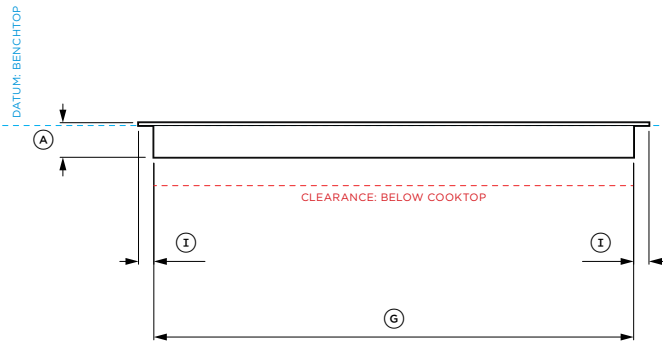
IMPORTANT NOTE: Throughout this guide, dimensions may vary by ±2mm (1/16"). Please read the installation manual for detailed information on installing the product. For full installation instructions & specifications visit fisherpaykel.com



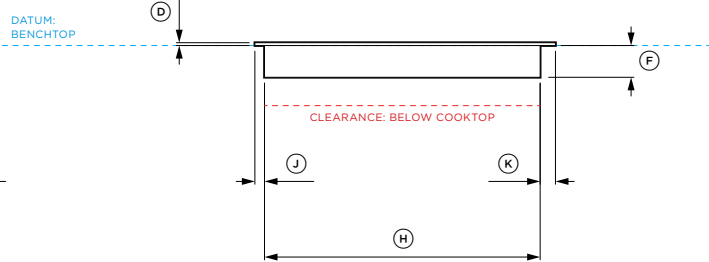
PLAN VIEW



PROFILE VIEW



FRONT VIEW



PROFILE VIEW



Model no:

CI905CTB2	90cm Series 5 5 Zone Induction Cooktop
CI905CTPB2	90cm Series 5 5 Zone Induction Cooktop Low Current
CI905ZCTB2	90cm Series 5 5 Zone Induction Cooktop SmartZone
CI905ZCTPB2	90cm Series 5 5 Zone Induction Cooktop SmartZone Low Current

Product Dimensions

	mm
(A) Overall height of cooktop	61
(B) Overall width of cooktop	900
(C) Overall depth of cooktop	530
(D) Height of cooktop glass (includes chassis flange)	5
(E) Corner radii of glass	2
(F) Height of chassis	56
(G) Width of chassis	846
(H) Depth of chassis	486
(I) Width of glass overhang at side of chassis	27
(J) Depth of glass overhang at front of chassis	17
(K) Depth of glass overhang at rear of chassis	27

Cutout Dimensions

	mm
Overall width of cutout	850
Overall depth of cutout	490
Maximum corner radii of cutout	10

Clearance Dimensions

	mm
Minimum clearance from side and rear edges of cutout to nearest combustible surface	50
Minimum clearance from front edge of cutout to front edge of benchtop	50
Minimum clearance from cook surface to top of any appliance, companion product or obstruction below cooktop	111
Minimum clearance from cook surface to rangehood	600
Minimum ventilation gap between bottom of benchtop and top of cabinetry fronts (not shown)	5

NOTE: An oven installed below the cooktop MUST have a cooling fan.

- INDICATES CABINETRY / PRODUCT DATUM
- INDICATES CABINETRY CLEARANCES
- INDICATES CUTOUT

IMPORTANT NOTE: Throughout this guide, dimensions may vary by ±2mm (1/16"). Please read the installation manual for detailed information on installing the product. For full installation instructions & specifications visit fisherpaykel.com

PLANNING CONSIDERATIONS

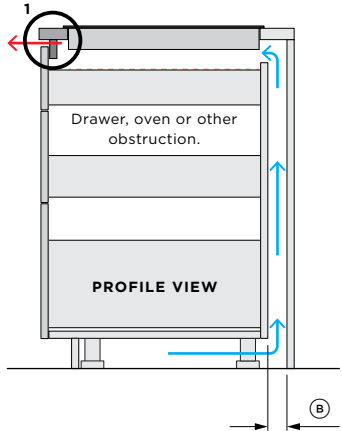
VENTILATION CLEARANCE BELOW COOKTOP



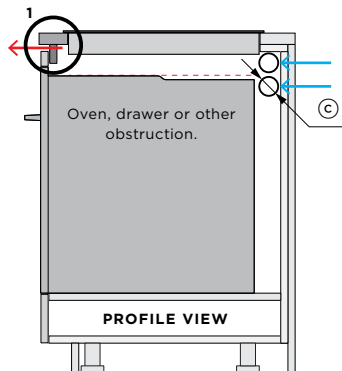
PROFILE VIEW

CLEARANCE REQUIREMENTS
To ensure adequate airflow clearance is required below cooktop to any appliance, companion product or obstruction.

VENTILATION AT REAR OF COOKTOP



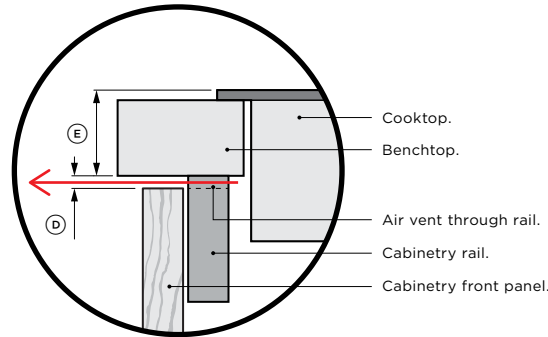
INTAKE OPTION A: SERVICE CHANNEL
Fresh air is drawn up from the toe kick cavity through a service channel at rear of cabinetry. If cavities are tightly sealed, ventilation holes in the toe kick panel are required.



INTAKE OPTION B: ADJACENT CABINETS
2x Ø50 holes are required in each side wall through to adjacent cabinets. Total of 4x holes required.

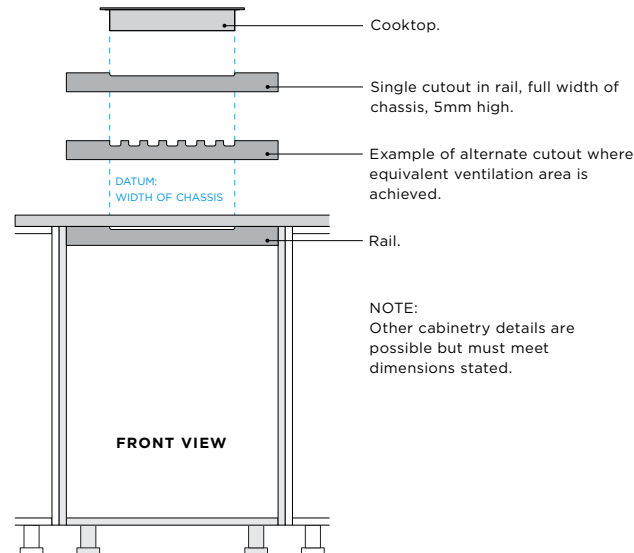
VENTILATION AT FRONT OF COOKTOP

VENTILATION OUTLET
Hot air must be able to exit at front of cabinets. THE MOST DIRECT ROUTE IS RECOMMENDED.



DETAIL 1 - PROFILE VIEW
VENTILATION AT FRONT

EXAMPLE VENTILATION CUTOUTS IN CABINERY RAIL



VENTILATION OVERVIEW

These cooktops require adequate supply of cool air to ensure optimum product performance.

The base of the cooktop must have direct unrestricted ventilation to the room where the cooktop is installed. There must be a 5mm air gap at the front of the cooktop.

Channels or cutouts are required in cabinetry to allow fresh air to enter and hot air to exit.

Ventilation Dimensions	mm
(A) Clearance from cook surface to any appliance, companion product or obstruction below	111
(B) Minimum ventilation gap at rear of cabinet*	20
(C) Diameter of ventilation holes into adjacent cabinets (4x required, 2x on each side of cabinet)*	50
(D) Ventilation gap at front of cabinet*	5
(E) Maximum position of ventilation gap from top of cooktop	40

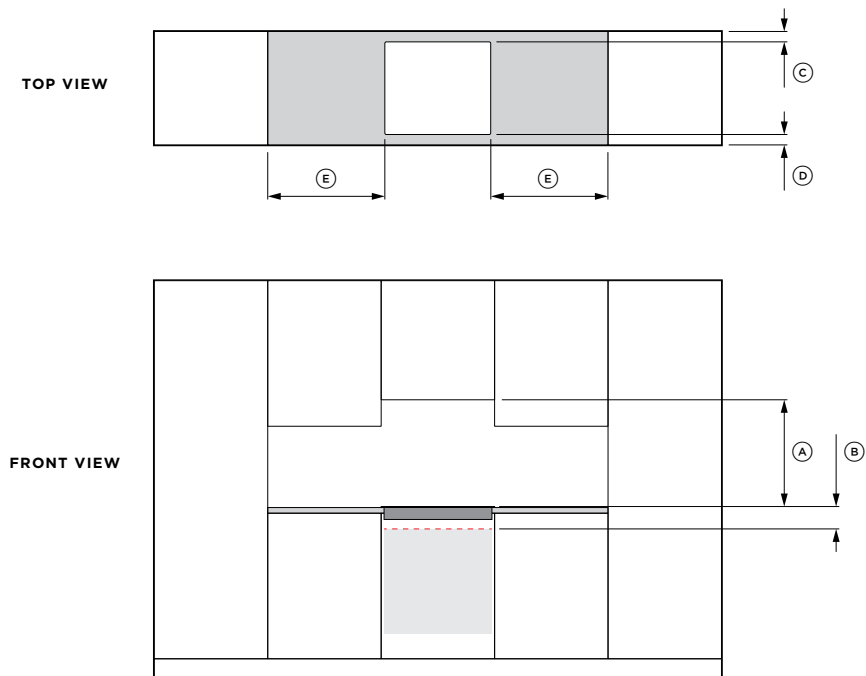
*ventilation gap or holes required, not both
**gap must run width of chassis

Ventilation Gap at Front of Cooktop	w x h	cm ²
30cm cooktop	256 x 5	13
60cm cooktops	558 x 5	28
90cm cooktops	846 x 5	43

----- INDICATES CABINERY / PRODUCT DATUM
- - - - - INDICATES CABINERY CLEARANCES
- · - · - INDICATES CUTOUT

IMPORTANT NOTE: Throughout this guide, dimensions may vary by ±2mm (1/16"). Please read the installation manual for detailed information on installing the product. For full installation instructions & specifications visit fisherpaykel.com

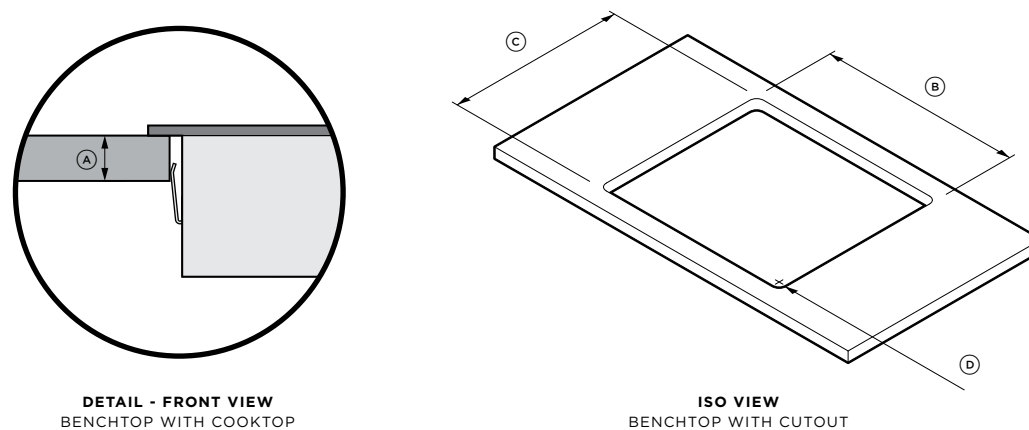
CABINETY CLEARANCES



Cabinetry Clearance Dimensions	mm
(A) Minimum clearance from cook surface to rangehood	600
(B) Minimum clearance from cook surface to any appliance, companion product or obstruction below	111
(C) Minimum clearance from rear edge of cutout to nearest combustible surface	50
(D) Minimum clearance from front edge of cutout to front edge of benchtop	50
(E) Minimum clearance from side edges of cutout to nearest combustible surface	50

NOTE: An oven installed below the cooktop MUST have a cooling fan.

BENCHTOP DIMENSIONS



Benchtop Dimensions	mm
(A) Minimum thickness of benchtop for function of retention clips	18

Cutout Dimensions*	30cm Cooktop	60cm Cooktops	90cm Cooktops
(B) Width of cutout	265	560	850
(C) Depth of cutout	500	490	490
(D) Maximum corner radii of cutout	10	10	10

*Cutout tolerance ±2mm

The models shown in this Planning Guide may not be available in all markets and are subject to change at any time. Product specifications may vary from those shown. Throughout this guide, dimensions may vary by ±2mm. This Planning Guide should not be used as installation guidance for any product. Further information is required to safely and correctly install the products featured here. Specific installation guidance will be available with the product on delivery and on our website fisherpaykel.com

