

HEATPUMP WASHER DRYER COMBI

PLANNING GUIDE

WD1871HG1

INTRODUCTION

This comprehensive planning guide provides you with the framework and tools to achieve your desired design outcome with Fisher & Paykel appliances. In this guide, you will find a range of conceptual, detailed, and dimensional product information to bring your ideas to life and create spaces that truly reflect your vision.

SUPPORT

For additional design planning and installation support please contact the Fisher & Paykel design support team.
designsupport@fisherpaykel.com

NOTES

The models shown in this Planning Guide may not be available in all markets and are subject to change at any time. Refer to our website fisherpaykel.com for the latest document version. Product specifications may vary from those shown. This Planning Guide should not be used as installation guidance for any product. Specific installation guidance will be available with the product on delivery and on our website.

CONTENTS

CONCEPT DESIGN PAGE

SPECIFICATION GUIDE
Heatpump Washer Dryer Combi **4**

DEVELOPED AND DETAILED DESIGN PAGE

DATA SHEETS
Heatpump Washer Dryer Combi **7**

SERVICES
Heatpump Washer Dryer Combi **9**

DEVELOPED AND DETAILED DESIGN PAGE

SPECIFICATION GUIDE



OVERVIEW

A sophisticated take on fabric care, brought together with thoughtfully engineered design. Complete an everyday wash-to-dry cycle in as little as 2 hours* and ensure garments are clean, dry and cared for effortlessly. Decades of expertise deliver intuitive convenience and seamless performance, a stainless steel fascia and a glass door with a generous 18kg wash and 10kg dry capacity - to support life lived away from the laundry.

*Based on an everyday 3kg Mixed Cotton load

FEATURES

- ① Wash and Dry with 13 continuous cycles, up to 18kg wash and 10kg dry capacity
- ② Heat pump technology dries gently and efficiently, even at low temperatures
- ③ Auto-dosing adjusts to each load for precise detergent and softener use, with generous reservoirs for up to 29 washes
- ④ Intuitive 10" touchscreen offers high-definition clarity and guided navigation
- ⑤ Three tailored Steam Refresh cycles for Shirts, Delicates and Mixed
- ⑥ Refined ergonomics with the angled drum for easier unloading and tilted touchscreen for better visibility
- ⑦ Crease Free+ prevents wrinkles and maintains freshness by circulating air for 12 hours after a cycle
- ⑧ Drum Dry feature reduces humidity and odour after wash cycles
- ⑨ SmartHQ™ alerts and remote control to stay connected

PRODUCTS

WD1871HG1

18kg + 10kg Series 9 Front Loader Washer Dryer Combi

The models shown in this Planning Guide may not be available in all markets and are subject to change at any time. Product specifications may vary from those shown. This Planning Guide should not be used as installation guidance for any product. Further information is required to safely and correctly install the products featured here. Specific installation guidance will be available with the product on delivery and on our website fisherpaykel.com

SPECIFICATIONS

Model Number

WD1871HG1 Series 9, Heatpump Washer Dryer Combi, Graphite

Weight

Packaged 164 kg

Unpackaged 145 kg

Electrical

Supply 230 V, 50 Hz

Service 10 A

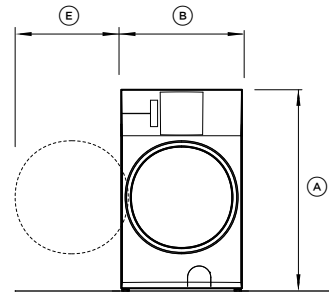
Outlet 3-pin earthing type

Plumbing

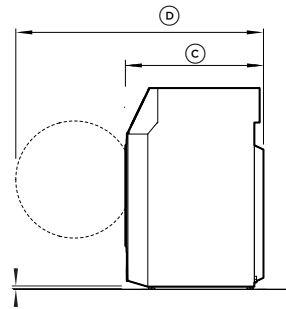
Supply Min 6 l/min

Pressure 200kPa (29 psi) - 1MPa (150 psi)

PRODUCT DIMENSIONS

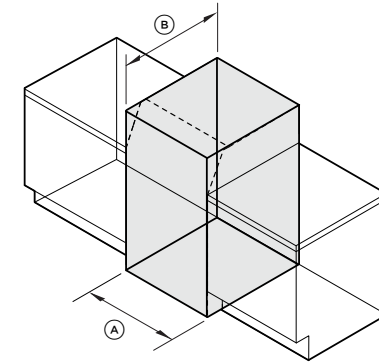


FRONT VIEW

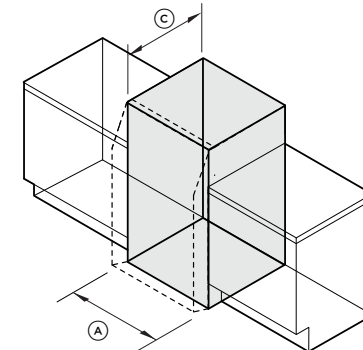


PROFILE VIEW

FLUSH & PROUD INSTALL CAVITY DIMENSIONS



FLUSH INSTALL



PROUD INSTALL

Product Dimensions

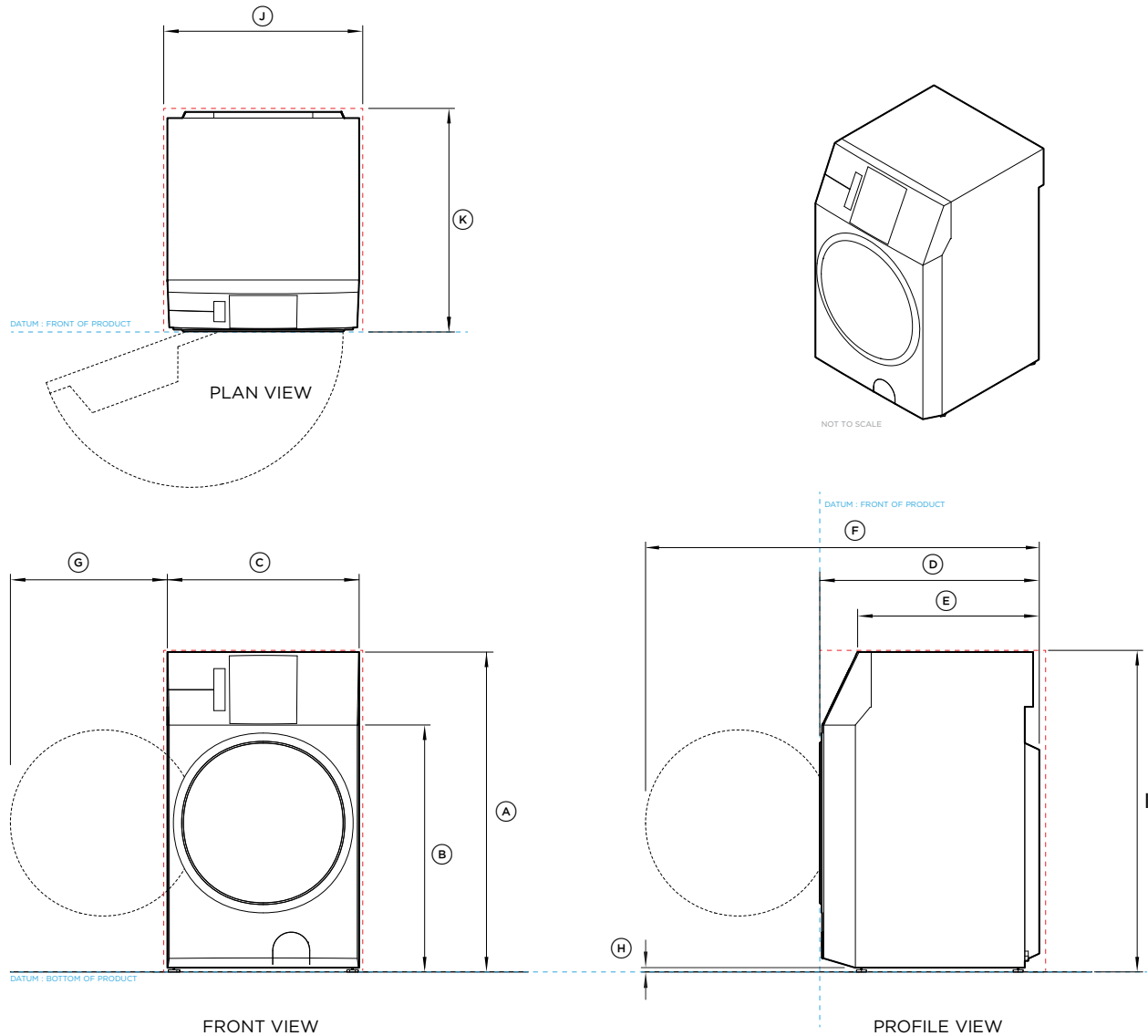
	mm
Ⓐ Overall height of product	min 1185 max 1200
Ⓑ Overall width of product	710
Ⓒ Overall depth of product	815
Ⓓ Overall depth with door open	1330
Ⓔ Door clearance to adjacent wall	min 200

Cavity Dimensions

	mm
Ⓐ Minimum cavity width	740
Ⓑ Minimum cavity depth - Flush install	845
Ⓒ Minimum cavity depth - Proud install	700

The models shown in this Planning Guide may not be available in all markets and are subject to change at any time. Product specifications may vary from those shown. This Planning Guide should not be used as installation guidance for any product. Further information is required to safely and correctly install the products featured here. Specific installation guidance will be available with the product on delivery and on our website fisherpaykel.com

DATA SHEETS



Model no:

WD1871HG1

Heatpump Washer Dryer Combi, Graphite

Product Dimensions	mm
Ⓐ Overall height of product	min 1185 max 1200
Ⓑ Height to product control panel	900
Ⓒ Overall width of product	710
Ⓓ Overall depth of product	815
Ⓔ Product rear to front of front face	670
Ⓕ Depth with the door open	1330
Ⓖ Door clearance to adjacent wall	min 200
Ⓗ Height of adjustable mounted feet	15

Minimum Clearances - Flush installation	mm
Minimum clearance above product*	260
Minimum clearance either side of product	15
Minimum clearance rear of product	30

Minimum Clearances - Proud installation	mm
Minimum clearance above product	20
Minimum clearance either side of product	15
Minimum clearance rear of product	30

*Maintain a minimum vertical and horizontal clearance above the dispenser to prevent any obstruction that could compromise the ergonomics.

NOTE:
For the optimal performance of Crease free air feature, the vents above door must not be obstructed.

----- INDICATES CABINETRY / PRODUCT DATUM
 - - - - - INDICATES CABINETRY CLEARANCES
 - - - - - INDICATES CUTOUT

IMPORTANT NOTE: Throughout this guide, dimensions may vary by ±2mm (1/16"). Please read the installation manual for detailed information on installing the product. For full installation instructions & specifications visit fisherpaykel.com

SERVICES

Maximum Distance of Hose and Cords

Model:

Heatpump Washer Dryer Combi - WD1871HG1

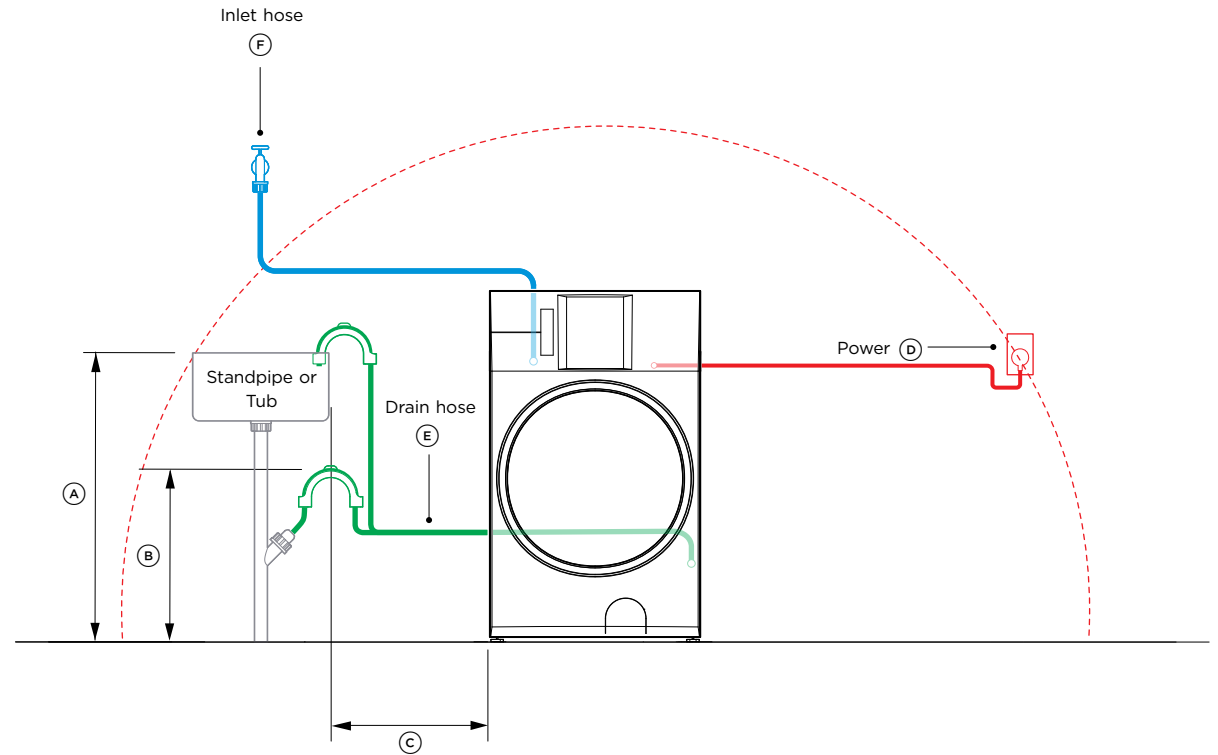
Product Dimensions

	mm
Ⓐ Maximum standpipe or tub height	1000
Ⓑ Minimum standpipe or tub height	600
Ⓒ Maximum distance to standpipe when located on the left	300
Maximum distance to standpipe when located on the right	900
Ⓓ Maximum power cord length from power outlet	1400
Ⓔ Maximum drain hose length	1700
Ⓕ Maximum inlet hose length	1500

Specifications

Electrical	
Supply	230 V, 50 Hz
Service	10 A
Outlet	3-pin earthing type
Plumbing	
Supply	Min 6 l/min
Pressure	200kPa (29 psi) - 1MPa (150 psi)

NOTE: Connections may be located in an adjacent cabinet to either side of the washer dryer. Ensure power will remain accessible following install to allow access for any future product maintenance.



The models shown in this Planning Guide may not be available in all markets and are subject to change at any time. Product specifications may vary from those shown. This Planning Guide should not be used as installation guidance for any product. Further information is required to safely and correctly install the products featured here. Specific installation guidance will be available with the product on delivery and on our website fisherpaykel.com

