

ASSISTED OPENING ACCESSORY

PLANNING GUIDE

OPEX1, OPIN1, OPIN1EX1RSB, OPIN1EX1RSW

INTRODUCTION

This comprehensive planning guide provides you with the framework and tools to achieve your desired design outcome with Fisher & Paykel appliances. In this guide, you will find a range of conceptual, detailed, and dimensional product information to bring your ideas to life and create spaces that truly reflect your vision.

SUPPORT

For additional design planning and installation support please contact the Fisher & Paykel design support team.
designsupport@fisherpaykel.com

NOTES

The models shown in this Planning Guide may not be available in all markets and are subject to change at any time. Refer to our website fisherpaykel.com for the latest document version. Product specifications may vary from those shown.
 This Planning Guide should not be used as installation guidance for any product. Specific installation guidance will be available with the product on delivery and on our website.

CONTENTS

CONCEPT DESIGN	PAGE	DEVELOPED AND DETAILED DESIGN	PAGE	DEVELOPED AND DETAILED DESIGN	PAGE
SPECIFICATION GUIDE		DATA SHEETS		DESIGN PLANNING	
AOA Component Overview	5	Main Body	9	AOA Installation Within an Appliance	16
AOA Placement Overview	6	Lens Cover	10	AOA Cabinetry Considerations	17
Appliance Compatibility	7	Striker Plate Assembly	11	AOA Installation within Cabinetry	18
		Mounting Brackets	12	Electrical Service Requirements	19
		Fixed Shelf	13	DishDrawer™ Dishwasher	20
		Bridge Trim	14	Integrated Refrigeration, CoolDrawer™	21
				Integrated Refrigeration, Under-counter, Wine & Beverage	22
				Integrated Refrigeration, 74" High, 24" Single Door	23
				Integrated Refrigeration, 74" High, 24" Bottom Freezer	24
				Integrated Refrigeration, 84" High, Column Single Door	25
				Integrated Refrigeration, 84" High, Bottom Freezer	26

SPECIFICATION GUIDE

OVERVIEW

Designed for a seamless, handle-free kitchen and easy access to larger doors, the Assisted Opening Accessory enhances the functionality of your Fisher & Paykel appliance. With push or pull-to-open options for refrigerators or CoolDrawer™, and knock-to-open for DishDrawer™ Dishwashers, it combines convenience with effortless style. The accessory's durable design ensures long-lasting performance, making it a reliable addition to any kitchen.



COMPATIBLE PRODUCTS*

OPIN1
Integrated Refrigerator or Freezer, 74" (1.88m) high
Integrated Wine or Beverage, under-counter

OPIN1EX1RSB
Integrated Refrigerator Freezer, 74" (1.88m) high

OPIN1EX1RSW
Integrated Refrigerator Freezer, 84" (2.1m) high

OPEX1
Integrated Column Refrigerator or Freezer, Integrated Column Wine Cabinet, Integrated DishDrawer™ Dishwasher, Integrated CoolDrawer™ Multi-temperature Drawer.

*Refer to full list of models on 'Appliance Overview' page.

OPTIONS

Push-to-Open
For handleless cabinetry (Refrigeration only).

Pull-to-Open
For handle-assisted opening (Refrigeration only).

Knock-to-Open
For DishDrawer™ Dishwasher only (handleless or handle-assisted).

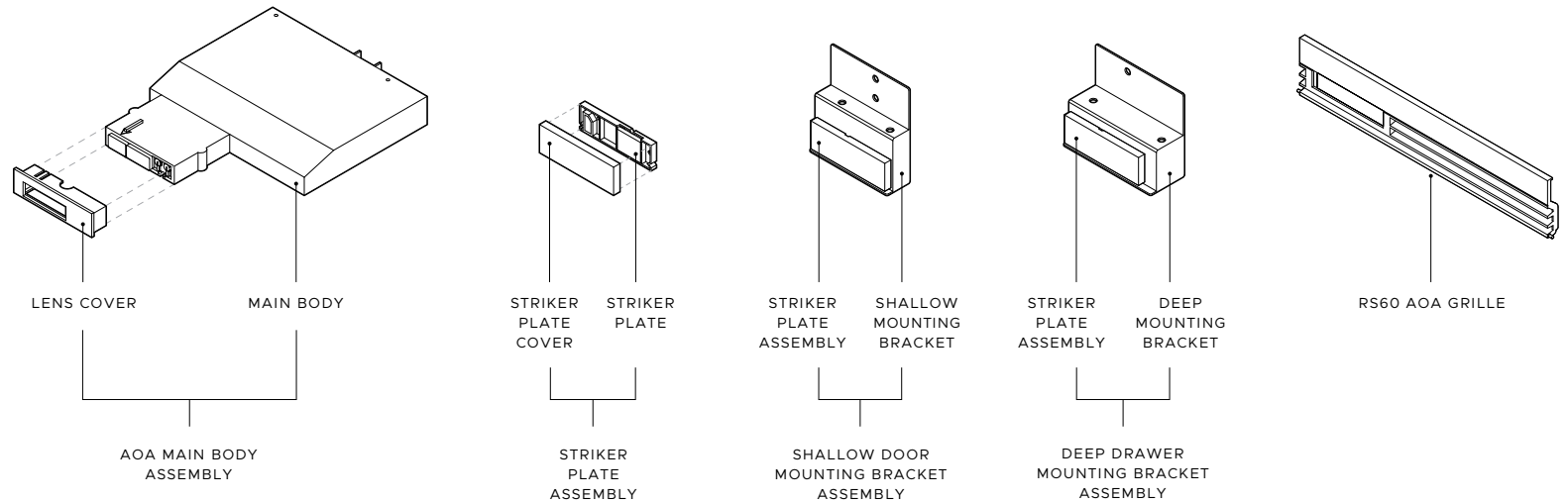
FEATURES

- 1** Created for Fisher & Paykel products, with a durable design that's built to last.
- 2** Simple to install, with no need for custom tools or an electrician.
- 3** Each Fisher & Paykel compatible model has a corresponding kit that contains everything needed for an easy installation.
- 4** Choose between push, pull (refrigeration) or knock (DishDrawer™ Dishwasher) to open.
- 5** The accessory automatically closes doors and drawers if they are not fully opened.
- 6** Produces a subtle sound when activated, providing reassurance that it's functioning correctly.
- 7** Pressure sensitivity can be adjusted during installation to suit individual preferences.
- 8** Knock-to-open functionality in DishDrawer™ Dishwashers allows for safe interruption during a cycle.
- 9** Designed to integrate seamlessly into any kitchen for a clean, handleless look.
- 10** Ensures doors and drawers are securely closed when not in use, preserving appliance efficiency.

The models shown in this Planning Guide may not be available in all markets and are subject to change at any time. Product specifications may vary from those shown. This Planning Guide should not be used as installation guidance for any product. Further information is required to safely and correctly install the products featured here. Specific installation guidance will be available with the product on delivery and on our website fisherpaykel.com

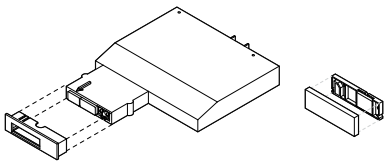
ASSISTED OPENING ACCESSORY KIT OPTIONS

The Assisted Opening Accessory (AOA) is supplied as a kit of components and is available in four variants to suit the appliance to which it is paired.



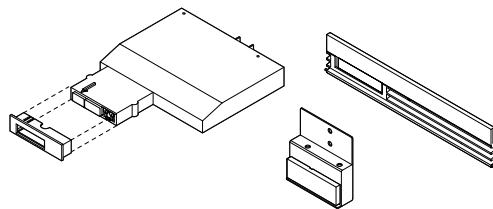
OPEX1

Single AOA unit with striker assembly to suit installs in kitchen cabinetry above or below the product. Includes communication harness for DishDrawer™ product.



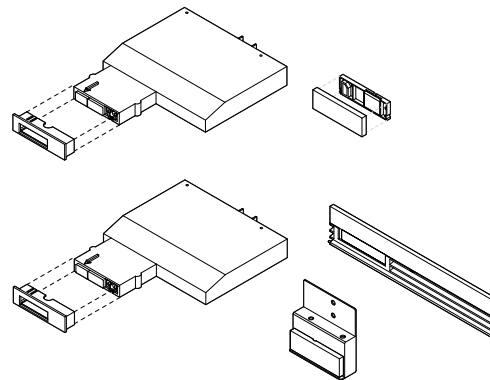
OPIN1

Single AOA unit with shallow door striker bracket assembly to suit single door, 60cm wide, Integrated Refrigeration products.



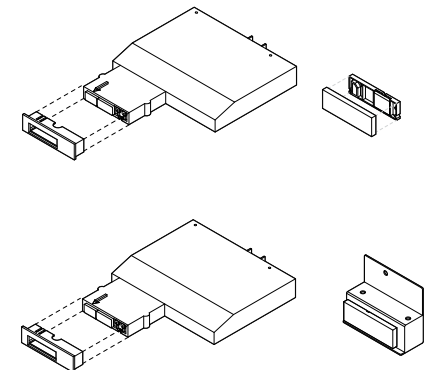
OPIN1EX1RSB

Two AOA units with striker assembly for cabinetry and shallow door striker bracket assembly to suit 60cm wide, Integrated Refrigerator Freezer (two door).



OPIN1EX1RSW

Two AOA units with striker assembly for cabinetry and deep drawer striker bracket assembly to suit 2.1m high, Integrated Refrigerator Freezer (two door). Includes stud and thumb nut fasteners.



The models shown in this Planning Guide may not be available in all markets and are subject to change at any time. Product specifications may vary from those shown. This Planning Guide should not be used as installation guidance for any product. Further information is required to safely and correctly install the products featured here. Specific installation guidance will be available with the product on delivery and on our website fisherpaykel.com

AOA PLACEMENT

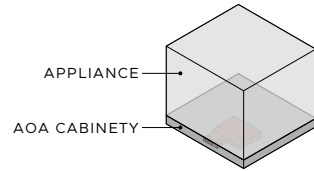
The Assisted Opening Accessory (AOA) can be placed in three different positions dependant on appliance type. Where more than one AOA unit is used a variety of install types may be required.

IMPORTANT: AOA can not be used with French Door refrigeration models.

AOA BELOW APPLIANCE

Additional cavity height and cabinetry features required below appliance.

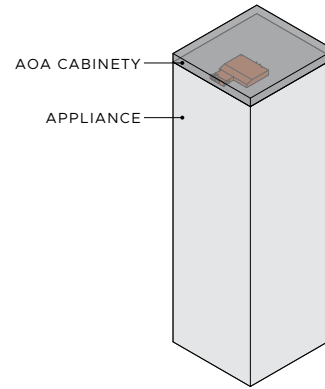
Custom panel only.



AOA ABOVE APPLIANCE

Additional cavity height and cabinetry features required above appliance.

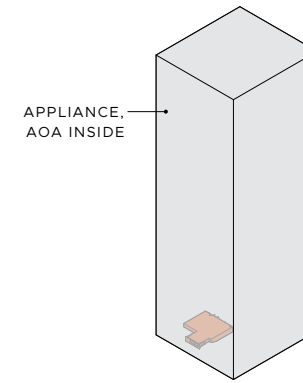
Custom panel only.



AOA INSIDE APPLIANCE

Standard appliance cabinetry requirements.

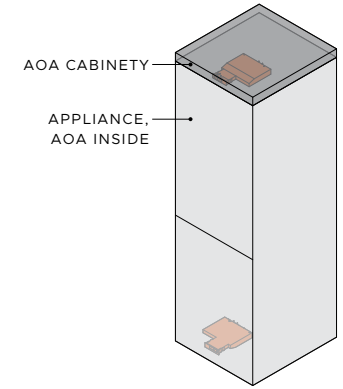
Custom panel or accessory panel.



AOA INSIDE AND ABOVE APPLIANCE

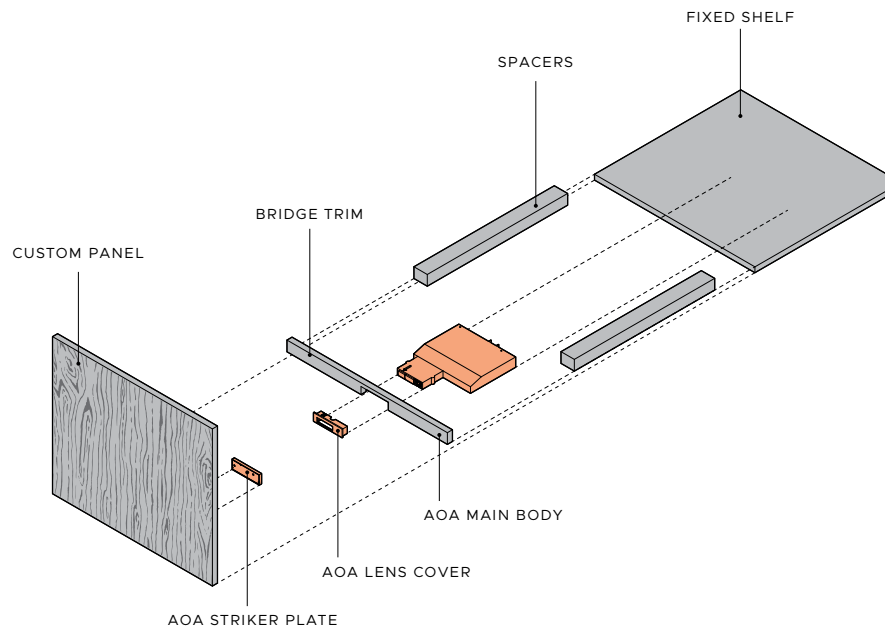
Additional cavity height and cabinetry features required above appliance.

Custom panel only.



CABINERY REQUIREMENT

Where AOA is installed outside of the appliance common cabinetry requirements apply.

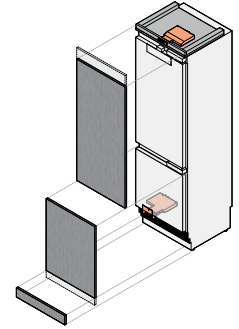
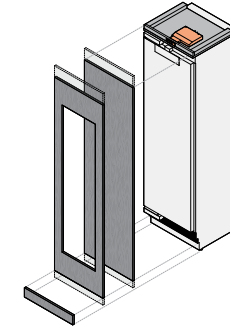
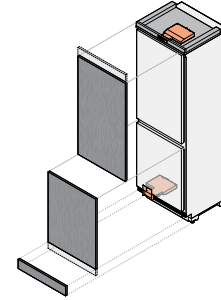
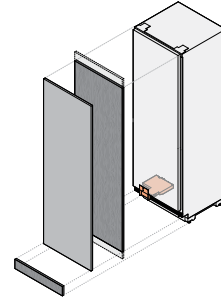
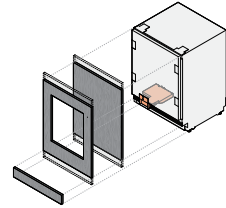
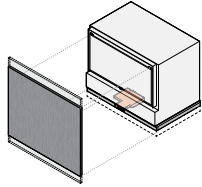
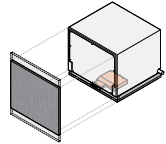


INTEGRATED DISHWASHING

INTEGRATED REFRIGERATION, UNDER-COUNTER

INTEGRATED REFRIGERATION, 74" HIGH

INTEGRATED REFRIGERATION, 84" HIGH



PRODUCT	DISHDRAWER™ DISHWASHER	36" COOLDRAWER™	24" WINE & BEVERAGE	24" SINGLE DOOR	24" BOTTOM FREEZER
Series	Series 11	Series 9	Series 9	Series 9	Series 9
Cavity Height with AOA	min 20 3/16" (513mm)	min 27 5/8" (701mm)	34 - 35 7/16" (864 - 900mm)	74" (1880mm)	min 76 1/4" (1937mm)
Panel Options	Custom	Custom	Custom or Accessory Panel	Custom or Accessory Panel	Custom
Models	DD24STX6I1, DD24STX6H1 Integrated Tall Single DishDrawer™ Dishwasher	RB36S25MKIW N 1 36" Integrated CoolDrawer™ Multi-temperature Drawer	RS2435V2R1 24" Integrated Wine Cabinet RS2435V2RT1 24" Integrated Wine Cabinet, Glass Door RS2435SBL1 24" Integrated Beverage Centre RS2435SBLT1 24" Integrated Beverage Centre, Glass Door	RS2474S3RH1 24" Integrated Triple Zone Refrigerator, Water RS2474F3LJ1 24" Integrated Triple Zone Freezer, Ice	RS2474BRU1 24" Integrated Refrigerator Freezer, Ice & Water

18", 24", 30" COLUMN SINGLE DOOR	24", 30" BOTTOM FREEZER
Series 9 + 11	Series 9 + 11
min 86 1/4" (2191mm)	min 86 1/4" (2191mm)
Custom	Custom
RS2484SRK1 24" Integrated Column Refrigerator RS2484SLHE1, RS2484SRHE1, RS2484SRHK1 24" Integrated Column Refrigerator, Water RS3084SRK1 30" Integrated Column Refrigerator RS3084SLHE1, RS3084SRHE1, RS3084SRHK1 30" Integrated Column Refrigerator, Water RS1884FLJE1, RS1884FRJE1, RS1884FLJK1 18" Integrated Column Freezer, Ice RS2484FLJE1, RS2484FRJE1, RS2484FLJK1 24" Integrated Column Freezer, Ice RS3084FLJE1, RS3084FRJE1, RS3084FLJK1 30" Integrated Column Freezer, Ice RS2484VL2K1, RS2484VR2K1 24" Integrated Column Wine Cabinet	RS2484WLUE1, RS2484WRUE1, RS2484WLUK1, RS2484WRUK1 24" Integrated Refrigerator Freezer, Ice & Water RS3084WLUE1, RS3084WRUE1, RS3084WLUK1, RS3084WRUK1 30" Integrated Refrigerator Freezer, Ice & Water

Assisted Opening Accessory model

OPEX1

OPIN1

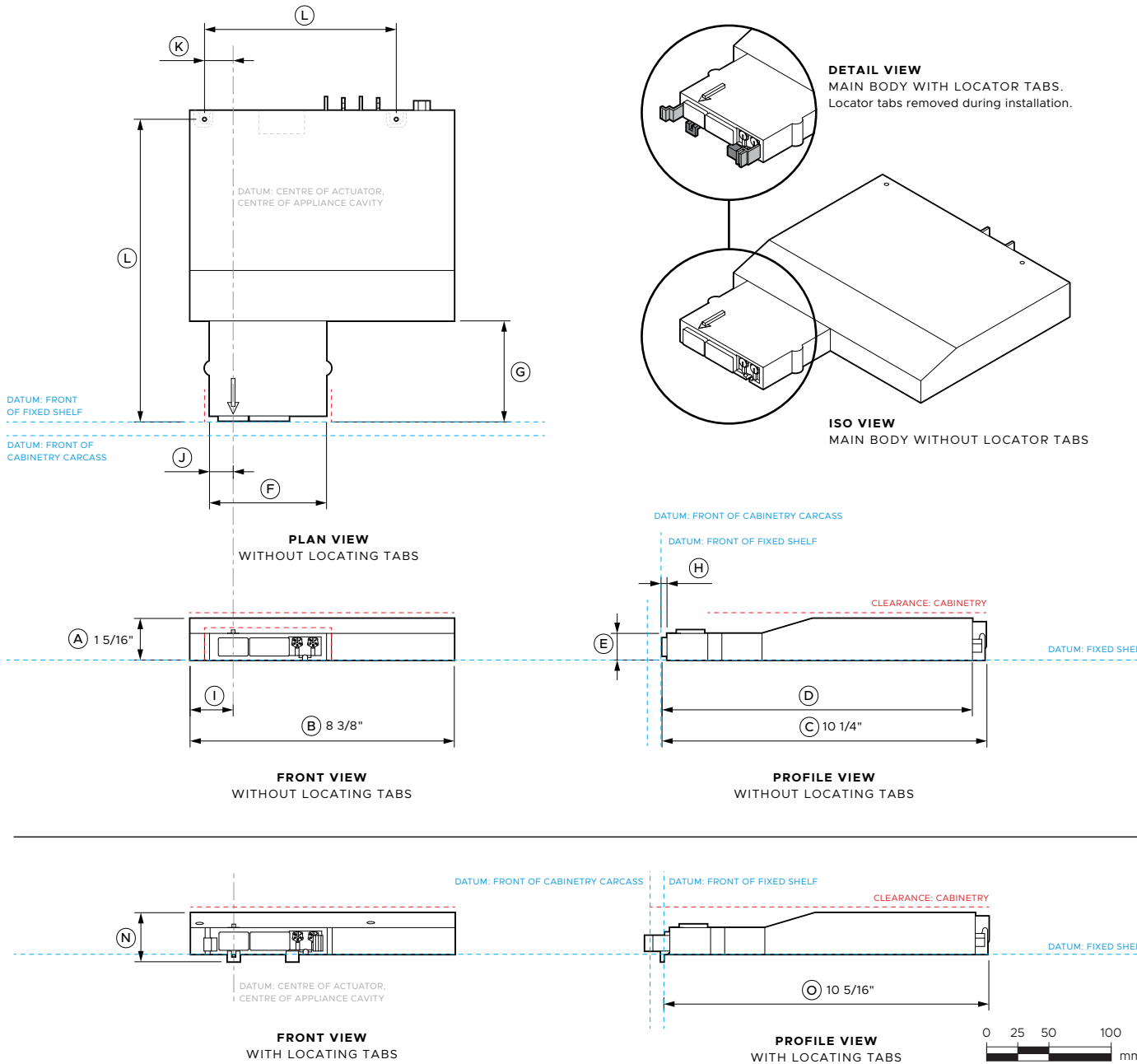
OPIN1EX1RSB

OPEX1

OPIN1EX1RSW

The models shown in this Planning Guide may not be available in all markets and are subject to change at any time. Product specifications may vary from those shown. This Planning Guide should not be used as installation guidance for any product. Further information is required to safely and correctly install the products featured here. Specific installation guidance will be available with the product on delivery and on our website fisherpaykel.com

DATA SHEETS



Model no:

- OPEX1 Assisted Opening Accessory - Main body
- OPIN1
- OPIN1EX1RSB
- OPIN1EX1RSW

Product Dimensions without Locator Tabs		inch	mm
A	Overall height of main body	1 5/16	34
B	Overall width of main body	8 3/8	213
C	Overall length of main body excluding cable strain	10 1/4	260
D	Length of main body excluding cable strain	9 13/16	250
E	Height of AOA sensor enclosure	7/8	22
F	Width of AOA sensor enclosure	3 11/16	94
G	Length of AOA sensor enclosure including actuator	3 3/16	81
H	Depth of actuator	3/16	5
I	Width from actuator centre datum to side of main body	1 3/8	35
J	Width from actuator centre datum to side of sensor head	3/4	19
K	Width from actuator centre datum to centre of left hole	15/16	23
L	Width between holes	6 1/16	154
M	Depth from front of main body and fixed shelf front datum to centre of holes	9 1/4	234

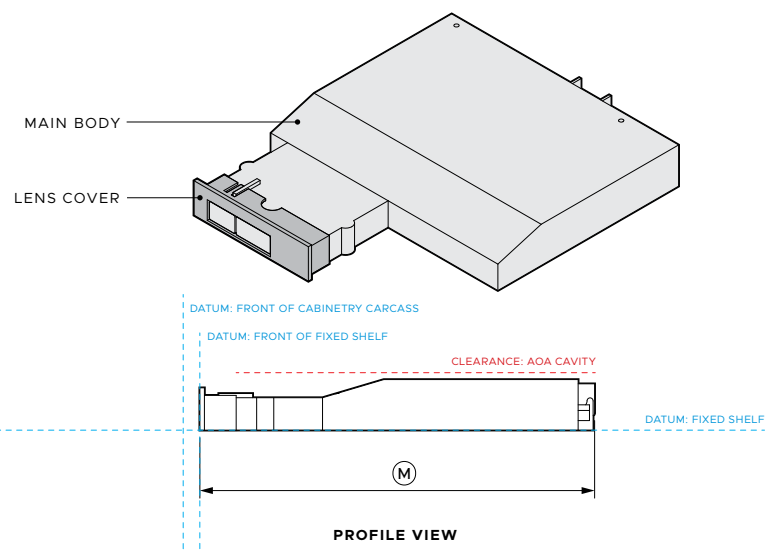
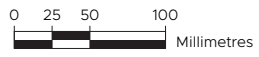
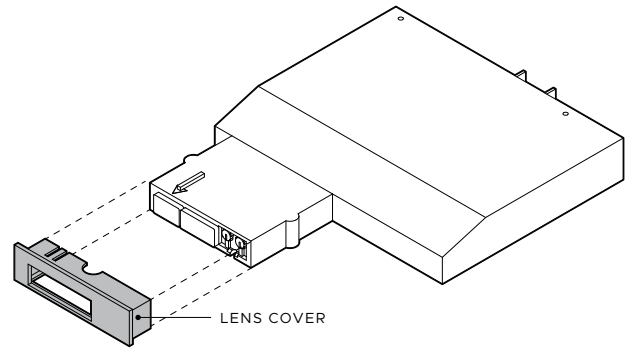
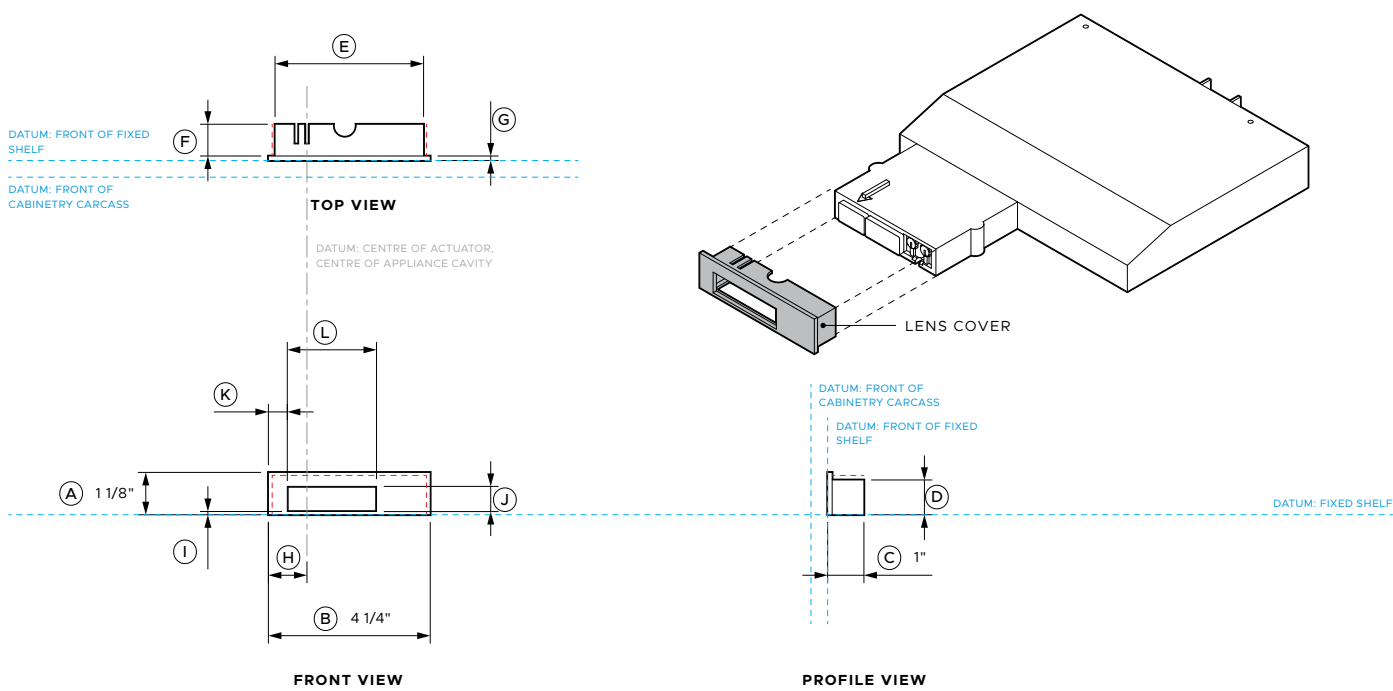
Product Dimensions with Locator Tabs		inch	mm
N	Overall height of main body including locating tabs	1 9/16	40
O	Length of main body excluding to back of locating tabs	10 5/16	261

Product Clearance		inch	mm
Minimum clearance height from base of product*		1 1/2	38

* Does not apply to AOA units fitted directly inside appliance.

- INDICATES CABINETY / PRODUCT DATUM
- INDICATES CABINETY CLEARANCES
- INDICATES CUTOUT

IMPORTANT NOTE: Throughout this guide, dimensions may vary by ±2mm (1/16"). Please read the installation manual for detailed information on installing the product. For full installation instructions & specifications visit fisherpaykel.com



Model no:
OPEX1 Assisted Opening Accessory - Lens Cover
OPIN1
OPIN1EX1RSB
OPIN1EX1RSW

Part:
 Lens Cover

Product Dimensions		inch	mm
A	Height of lens cover	1 1/8	28
B	Width of lens cover	4 1/4	107
C	Depth of lens cover	1	24
D	Height of sleeve	15/16	23
E	Width of sleeve	3 7/8	98
F	Depth of sleeve	7/8	21
G	Depth of front flange	1/8	3
H	Width from side of lens cover to actuator centre datum	1	25.5
I	Height from base of lens cover to base of window	1/16	2
J	Height of window	11/16	17
K	Width from side of lens cover to side of window	1/2	12.5
L	Width of window	2 5/16	59

Product Clearance		inch	mm
Clearance height for sleeve		1	26
Clearance width for sleeve		4	102

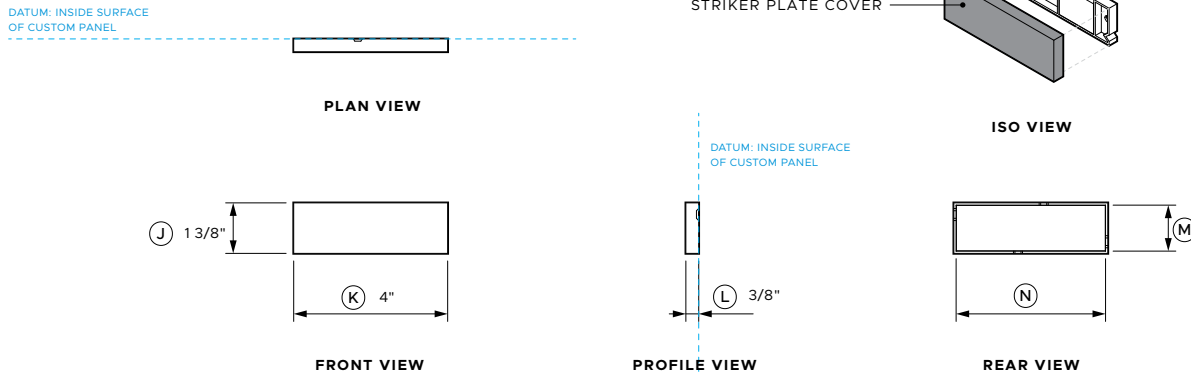
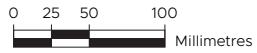
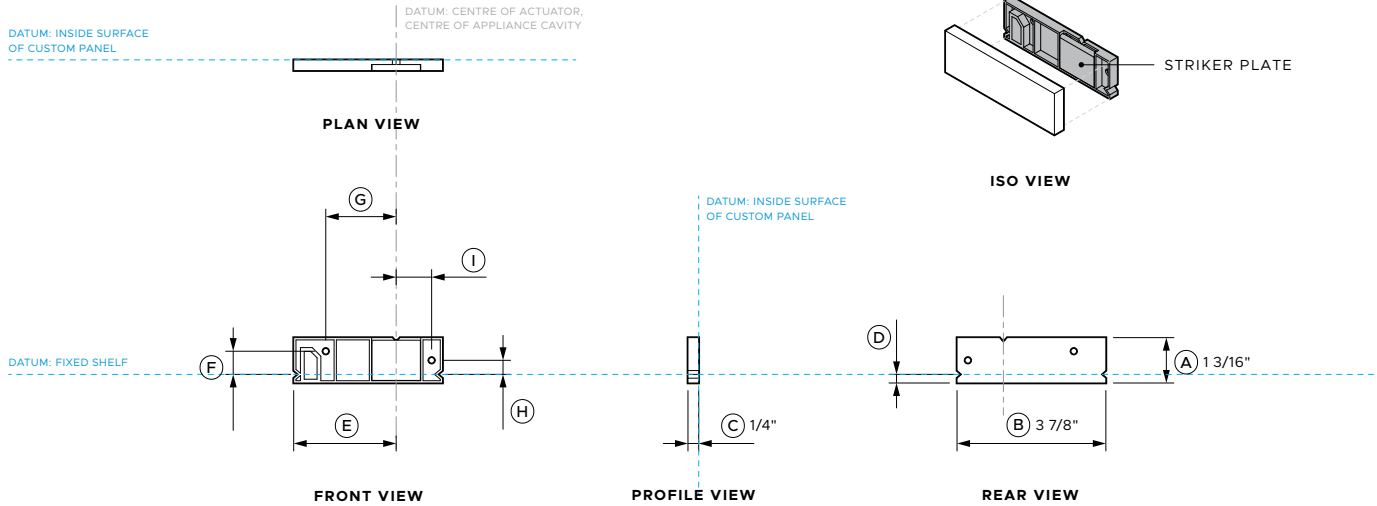
* Does not apply to AOA units fitted directly inside appliance.

Part:
 Main Body with Lens Cover Assembly

Product Dimensions		inch	mm
M	Overall length of AOA main body and lens cover	10 5/16	261
N	Width from edge of AOA main body to edge of lens cover	3/8	9

----- INDICATES CABINETRY / PRODUCT DATUM
 - - - - - INDICATES CABINETRY CLEARANCES
 - · - · - INDICATES CUTOUT

IMPORTANT NOTE: Throughout this guide, dimensions may vary by ±2mm (1/16"). Please read the installation manual for detailed information on installing the product. For full installation instructions & specifications visit fisherpaykel.com



Model no:
OPEX1 Assisted Opening Accessory - Striker Plate Assembly
OPIN1
OPIN1EX1RSB
OPIN1EX1RSW

Part:
 Striker Plate

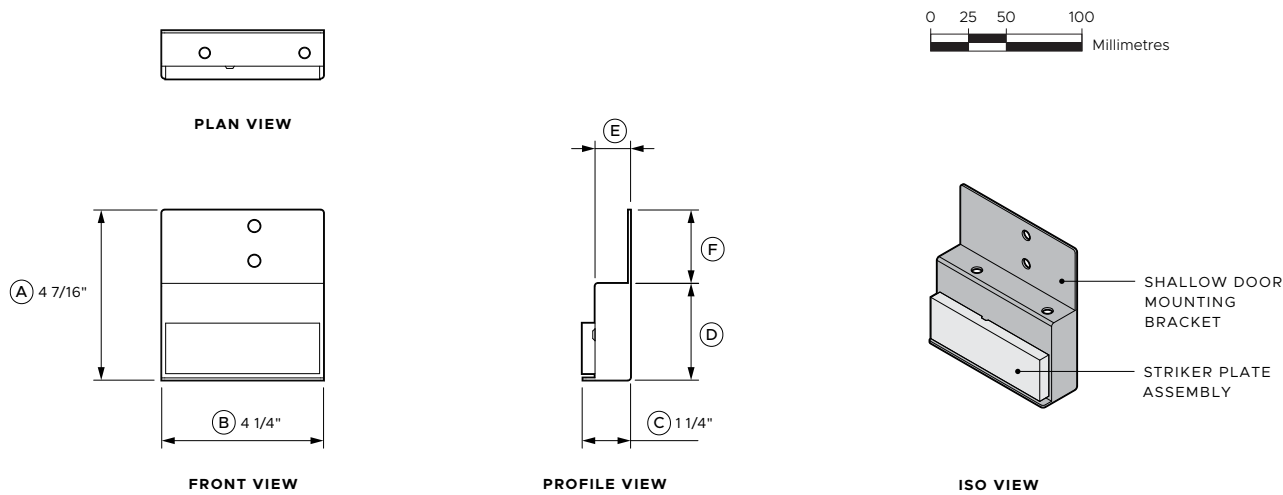
Product Dimensions		inch	mm
A	Height of striker plate	1 3/16	30
B	Width of striker plate	3 7/8	99
C	Depth of striker plate	1/4	7
D	Height from base of striker plate to alignment 'V' notches	1/4	6
E	Width from side of striker plate to centre datum and 'V' notch	2 11/16	68
F	Height from side 'V' notch to upper hole centre	5/8	15
G	Width from centre datum to upper hole	1 7/8	47
H	Height from side 'V' notch to lower hole centre	3/8	9
I	Width from centre datum to lower hole	15/16	23

Part:
 Striker Plate Cover

Product Dimensions		inch	mm
J	Height of striker plate cover	1 3/8	34
K	Width of striker plate cover	4	102
L	Depth of striker plate cover	3/8	9
M	Internal height of striker plate cover	1 1/4	31
N	Internal width of striker plate cover	3 15/16	100

----- INDICATES CABINETRY / PRODUCT DATUM
 - - - - - INDICATES CABINETRY CLEARANCES
 - · - · - INDICATES CUTOUT

IMPORTANT NOTE: Throughout this guide, dimensions may vary by ±2mm (1/16"). Please read the installation manual for detailed information on installing the product. For full installation instructions & specifications visit fisherpaykel.com



Model no:

OPIN1EX1RSB Assisted Opening Accessory

Part:

Shallow Door Mounting Bracket Assembly

Product Dimensions		inch	mm
A	Height of mounting bracket	4 7/16	113
B	Width of mounting bracket	4 1/4	107
C	Depth of mounting bracket assembly	1 1/4	32
D	Height of bracket main body	2 1/2	64
E	Depth of bracket main body	15/16	24
F	Height of vertical flange	1 15/16	49

Model no:

OPIN1EX1RSW Assisted Opening Accessory

Part:

Deep Drawer Mounting Bracket Assembly

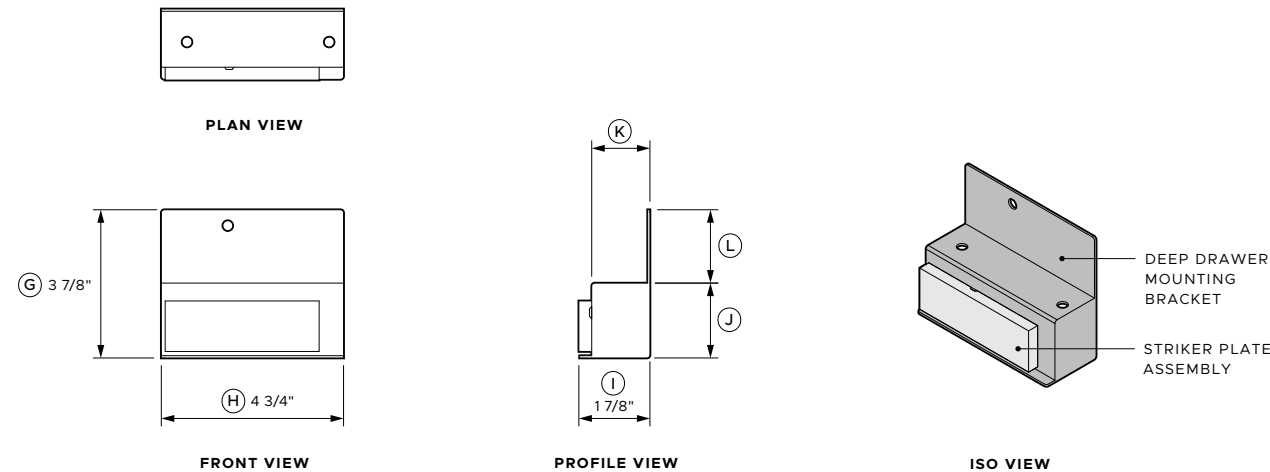
Product Dimensions		inch	mm
G	Height of mounting bracket	3 7/8	98
H	Width of mounting bracket	4 3/4	121
I	Depth of mounting bracket assembly	1 7/8	47
J	Height of bracket main body	2	50
K	Depth of bracket main body	1 9/16	39
L	Height of vertical flange	1 7/8	48

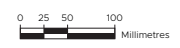
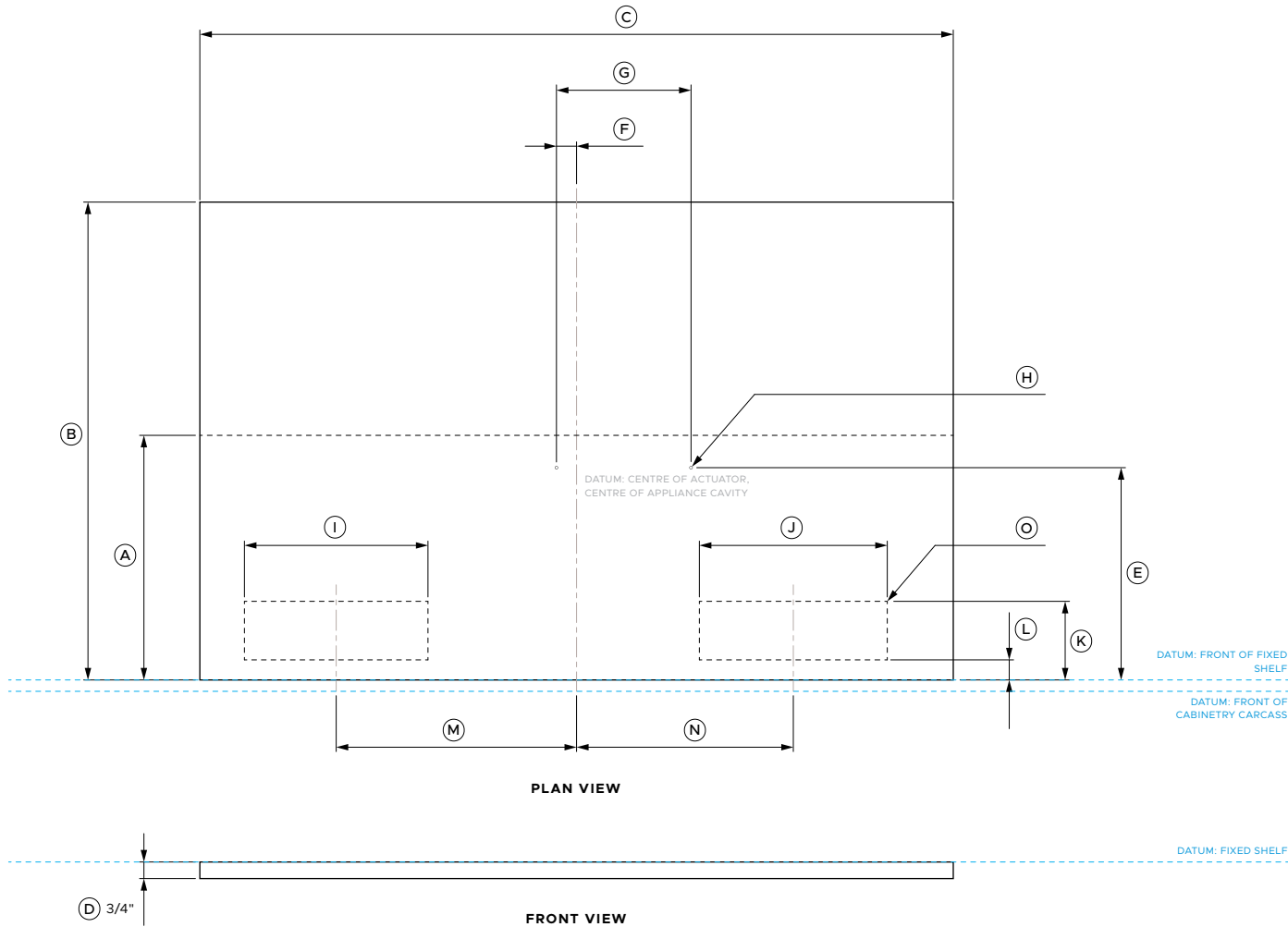
----- INDICATES CABINETRY / PRODUCT DATUM

----- INDICATES CABINETRY CLEARANCES

----- INDICATES CUTOUT

IMPORTANT NOTE: Throughout this guide, dimensions may vary by ±2mm (1/16"). Please read the installation manual for detailed information on installing the product. For full installation instructions & specifications visit fisherpaykel.com





Model no:

OPEX1 Assisted Opening Accessory
OPIN1EX1RSB
OPIN1EX1RSW

NOTE:
 Shelf width dependant on product pairing and corresponding cabinet requirements.
 Cutouts only required for CoolDrawer™ installation.
 Shelf must be securely fastened in cabinetry.

Part:

Fixed Shelf

Panel Dimensions		inch	mm
A	Depth of fixed shelf when AOA positioned above appliance	min 11	min 280
B	Depth of fixed shelf when AOA positioned below appliance	to fit cavity	
C	Width of fixed shelf	to fit cavity	
D	Nominal thickness of fixed shelf *	3/4	19
E	Depth from front of shelf to centre of holes **	9 9/16	243
F	Width from centre of shelf to centre of left hand hole	15/16	23
G	Width between holes	6 1/16	154
H	Hole diameter	1/8	3

* Panel thickness can be reduced or increased. Consideration to be given to material thickness and structural integrity of panel.

** Pre-drilling of holes optional. AOA unit can be used as a guide to position holes. Refer Installation Manual for details

Panel Cutout Dimensions for CoolDrawer™		inch	mm
I	Width of left hand cutout ***	8 1/4	210
J	Width of right hand cutout ***	8 1/2	215
K	Depth from front of fixed shelf to rear of cutouts	3 9/16	90
L	Distance from front of fixed shelf to front of cutouts ****	7/8	22
M	Centre of left hand cutout to centre of shelf	10 13/16	275
N	Centre of right hand cutout to centre of shelf	9 13/16	248
O	Corner radii of cutouts	max 9/16	max 15

*** Cutouts only required for CoolDrawer™ to provide ventilation to appliance

**** Based on bridge trim thickness of 19mm

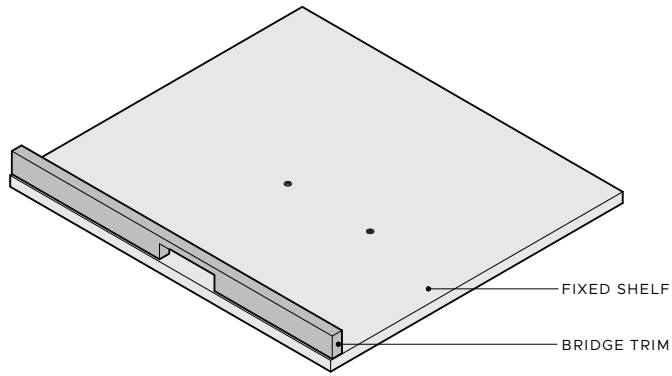
Panel Clearances		mm	mm
Fixed shelf set back depth from front of cabinetry carcass		7/16	11

----- INDICATES CABINETY / PRODUCT DATUM

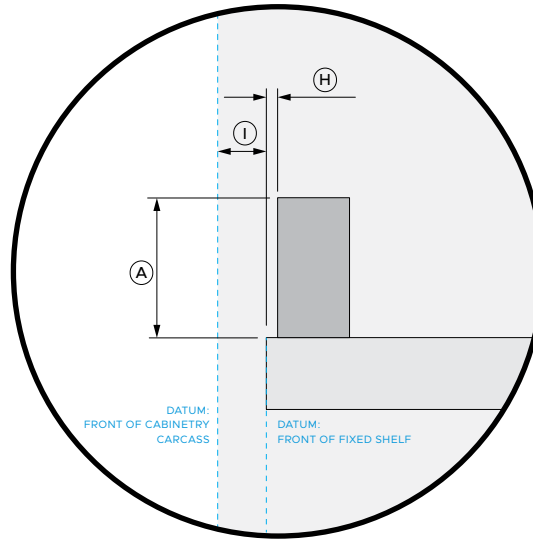
----- INDICATES CABINETY CLEARANCES

----- INDICATES CUTOUT

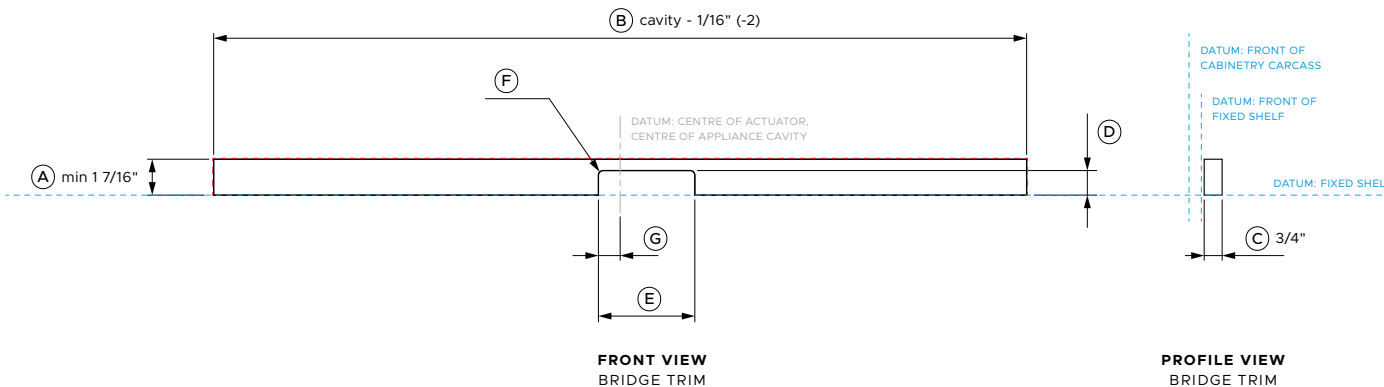
IMPORTANT NOTE: Throughout this guide, dimensions may vary by ±2mm (1/16"). Please read the installation manual for detailed information on installing the product. For full installation instructions & specifications visit fisherpaykel.com



ISO VIEW
BRIDGE TRIM WITH FIXED SHELF



DETAIL PROFILE VIEW
BRIDGE TRIM WITH FIXED SHELF



Model no:

OPEX1 Assisted Opening Accessory

OPIN1EX1RSB

OPIN1EX1RSW

NOTE:
Bridge trim must be removable to allow servicing of AOA unit.

Part:

Bridge Trim

Part Dimensions

		mm
A	Height of bridge trim *	1 7/16 min 37
B	Width of bridge trim**	cavity - 1/16 cavity -2
C	Nominal thickness of bridge trim panel ***	3/4 19
D	Height of cutout	1 26
E	Width of cutout	4 102
F	Corner radius of cutout	3/16 max 5
G	Width from centre of bridge trim datum to side of cutout	1 1/8 28

* To suit minimum 38mm cavity height for AOA. Can be increased to suit required cabinetry dimensions.

** Allows clearance to allow removal for servicing.

*** Panel thickness can be reduced or increased. Consideration to be given to material thickness and structural integrity of panel.

Part Clearances

		mm
H	Bridge trim set back from front of fixed shelf	1/8 3
I	Fixed shelf set back from front of cabinetry carcass	7/16 11

----- INDICATES CABINETY / PRODUCT DATUM
 - - - - - INDICATES CABINETY CLEARANCES
 - - - - - INDICATES CUTOUT

IMPORTANT NOTE: Throughout this guide, dimensions may vary by ±2mm (1/16"). Please read the installation manual for detailed information on installing the product. For full installation instructions & specifications visit fisherpaykel.com

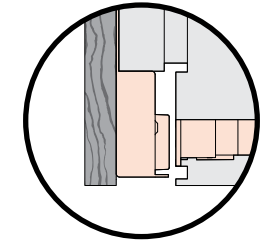
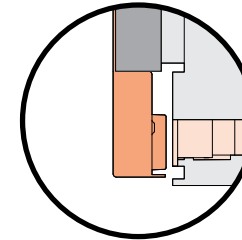
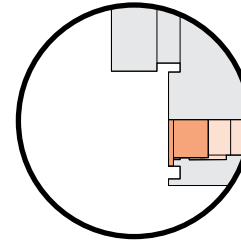
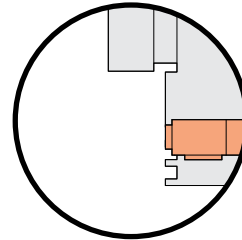
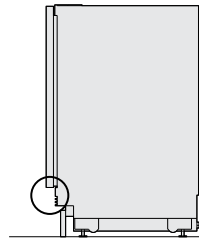
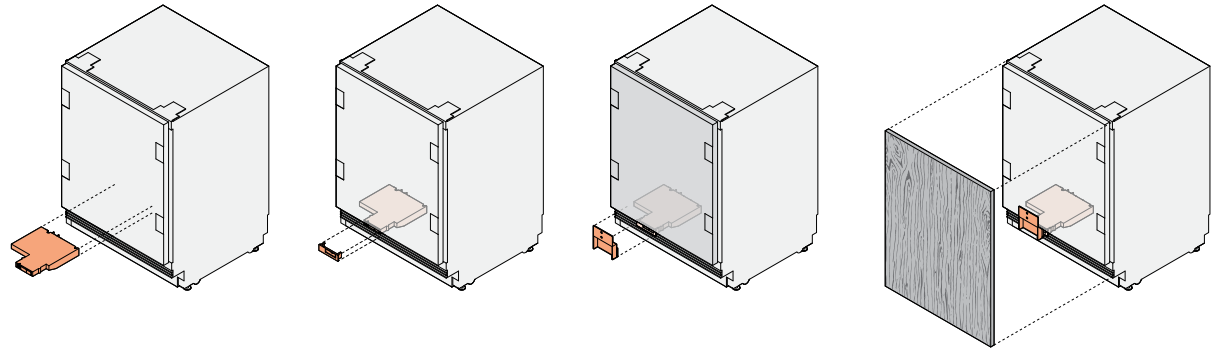
DESIGN PLANNING

INTERNAL PRODUCT INSTALL

This is a typical overview for the installation of Assisted Opening Accessory (AOA) units fitted inside an appliance.

AOA components are shown however appliance specific components such as grilles and fasteners have been omitted.

Refer to installation guides for appliance specific components and instructions.



AOA MAIN BODY

Positioned within appliance body.
Orientated upside down.

LENS COVER

Clips onto main body.
Front is flush with grille.

STRIKER PLATE MOUNTING BRACKET

Fastened to internal door with supplied fasteners.
Brackets comes in 2 variants specific to appliance type, shallow and deep.

CUSTOM PANEL

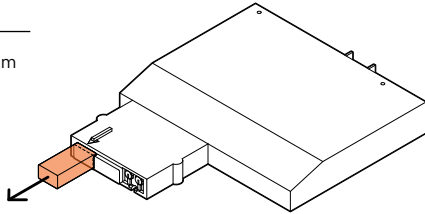
Panel secured to internal door via fastening brackets.
Mounting bracket does not interfere with panel fastening or alignment.

AOA CABINETY CONSIDERATIONS

When designing cabinetry to install an AOA unit outside the appliance, follow these requirements.

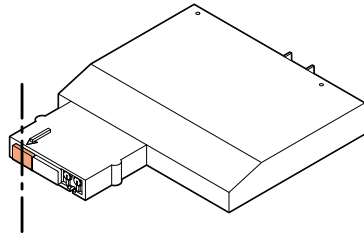
ACTUATOR OPENS DOOR

Pushes against striker plate fastened to custom panel. Panel needs to be strong enough to withstand a force.



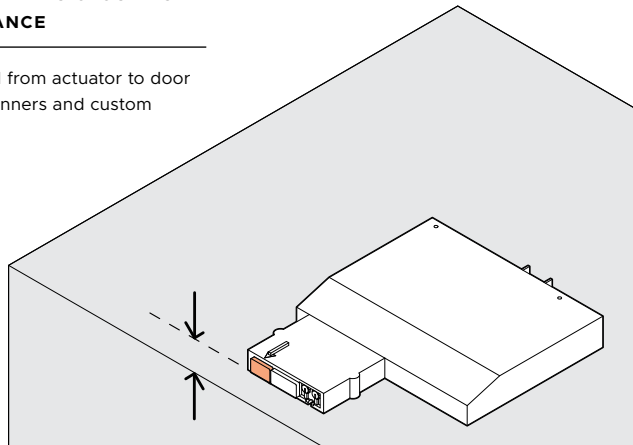
ACTUATOR POSITIONED IN CENTRE OF CAVITY

Prevents uneven drawer movement and provides best solution for left or right hand hinged appliances.



ACTUATOR POSITIONED AS CLOSE AS POSSIBLE TO APPLIANCE

Ensures most direct load from actuator to door and appliance hinges, runners and custom panel fasteners.

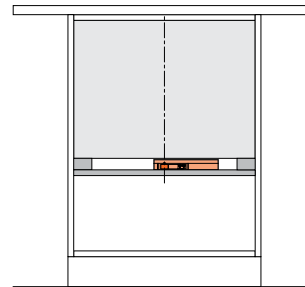


APPLIANCE SPECIFIC AOA CABINETY CONSIDERATIONS

Appliance position and size in cabinetry results in varying applications of where and how the AOA unit is positioned. Recommended combinations are shown.

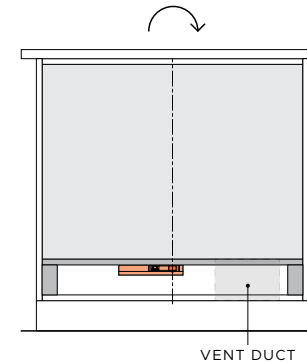
IMPORTANT

The AOA unit must be positioned below an appliance drawer to be close to drawer runners. Do not position the AOA unit above an appliance drawer.



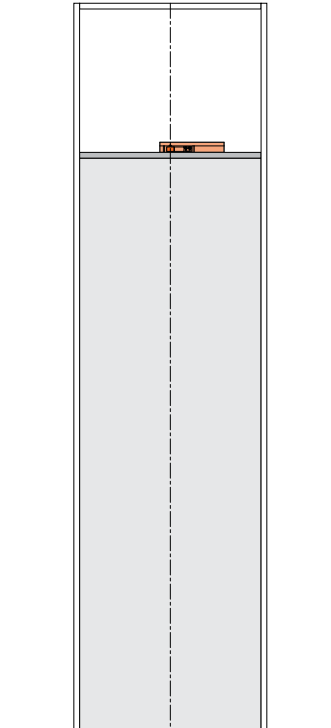
DISHDRAWER™ DISHWASHER

AOA positioned upright below appliance to be close to drawer runners. Cavity below DishDrawer™ can be used for storage. If AOA cabinetry height is increased significantly it is recommended to position AOA unit upside down as shown for CoolDrawer™.



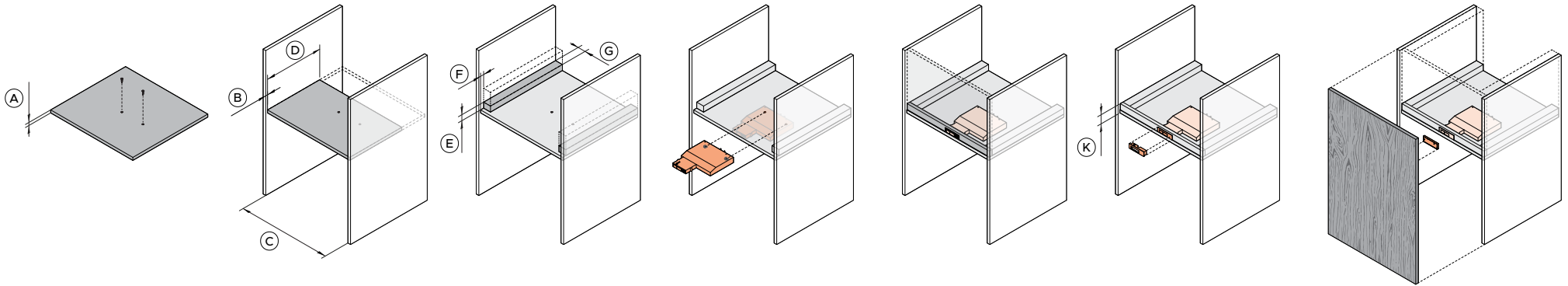
COOLDRAWER™

AOA positioned upside down below appliance to be close to drawer runners and create clearance for CoolDrawer™ vent duct. When positioning CoolDrawer™, consider placing away from high use areas (for example, under a cooktop, to reduce occurrence of accidental opening of drawer.



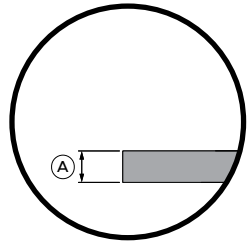
REFRIGERATION

AOA positioned upright above appliance. Actuator positioned in centre of cavity for optimum position for either left or right hand hinge.



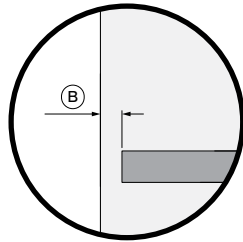
FIXED SHELF

Option to pre-drill and fasten AOA screws prior to cabinetry assembly - refer to Data Sheet.



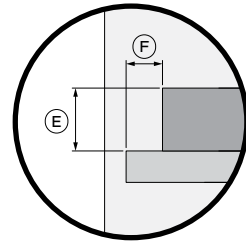
FIXED SHELF

Set back from front of cabinetry carcass. SHELF MUST BE SECURELY FASTENED.



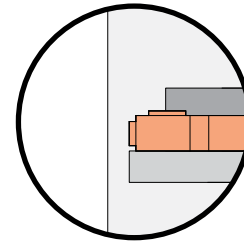
SPACERS

Provide clearance for AOA main body. Height can be increased to suit cabinetry requirements.



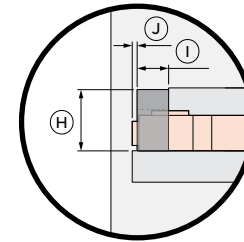
AOA MAIN BODY

Slides onto shoulder bolts.

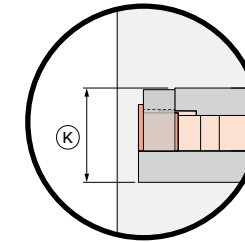


BRIDGE TRIM

Positioned against spacers. Height can be increased to suit cabinetry. MUST BE REMOVABLE FOR SERVICING OF AOA.

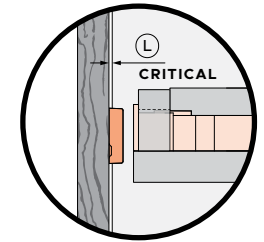


LENS COVER



STRIKER PLATE

Attaches to inside of custom panel (attached to appliance).



EXTERNAL PRODUCT INSTALLATION

Custom cabinetry is required to house the AOA unit when it cannot be positioned inside the appliance cavity. This is a typical overview for the installation of AOA units fitted inside cabinetry. These cabinetry components and dimensions are common across appliances. However, they must be adapted to suit the appliance type, cavity width and AOA position (above or below the appliance). Refer to Data Sheets for detailed dimensions of fixed shelf and bridge trim. For full installation instructions refer to Installation Guides.

CABINETY DIMENSIONS		inch	mm
A	Fixed shelf panel thickness*	3/4	19
B	Fixed shelf set back from front of cabinetry carcass	7/16	11
C	Width of fixed shelf	to suit	to suit
D	Depth of fixed shelf **	min 11	min 280
E	Height of spacers	min 1 1/2	min 38
F	Spacer set back from front of fixed shelf ***	7/8	22
G	Width of spacer		
	- DishDrawer™	2 3/8	60
	- CoolDrawer™	1 7/16 - 22	36 - 50
	- Refrigeration	22	50

CABINETY DIMENSIONS		inch	mm
H	Height of bridge trim ****	min 1 7/16	min 37
I	Nominal bridge trim panel thickness	3/4	19
J	Bridge trim set back from front of fixed shelf	1/8	3
K	Overall height of AOA cabinetry assembly	min 2 1/4	min 57
L	CRITICAL distance between back of custom panel and front of cabinetry carcass *****	5/64 - 1/8	2-3

* Minimum thickness 5/8" (16mm). Minimum AOA cavity height based on 3/4" (19mm) shelf.
 ** Full depth of cavity recommended when appliance positioned above.
 *** Assumes bridge trim thickness of 3/4" (19mm).
 **** Based on minimum spacer height of 1 1/2" (38mm), allows clearance for removal during servicing.
 ***** Critical for AOA Push-to-Open function and DishDrawer™ seal to engage.

ELECTRICAL REQUIREMENTS

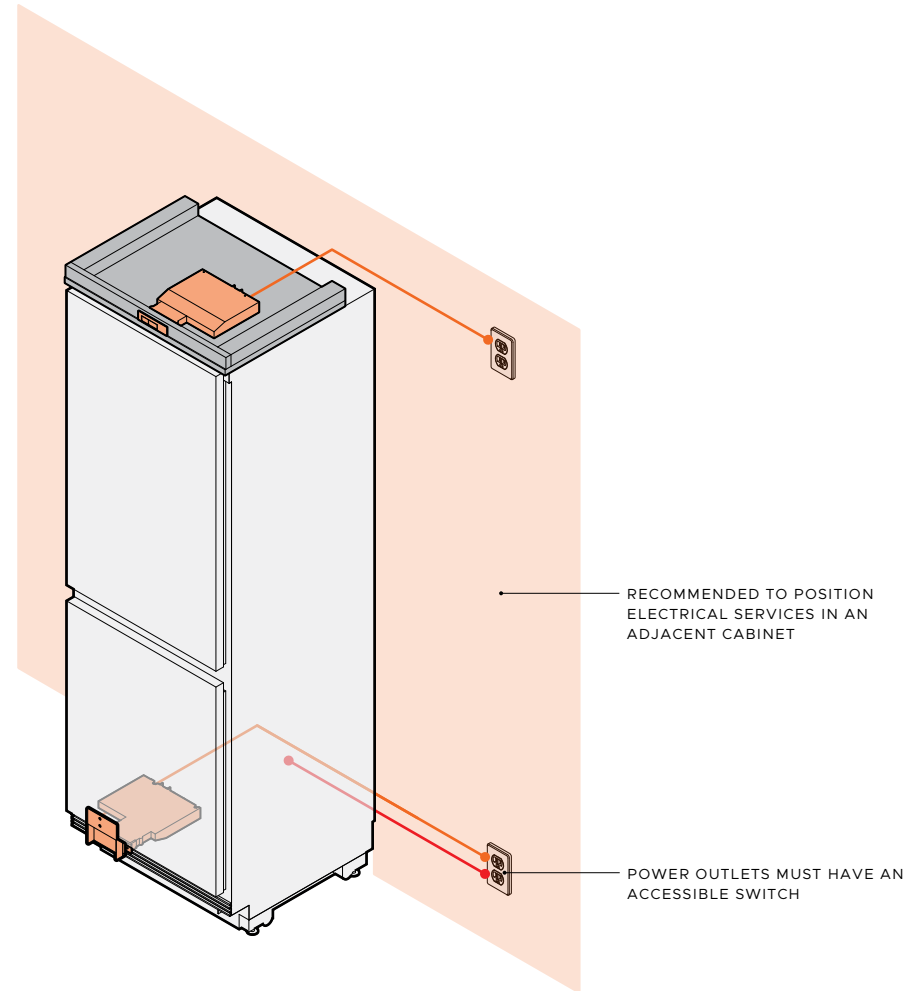
Each AOA unit requires one power outlet. For example, one integrated refrigeration appliance with two AOA units requires three power outlets in total. Power outlets must have an accessible switch. It is recommended to position electrical services in an adjacent cabinet.

For appliance electrical requirements refer to relevant Installation Guides.

Electrical - Assisted Opening Accessory

Dedicated Circuit (A)	15
Rated Power (W)	65
Supply (Hz)	60
Voltage (V)	120
Connection	Plug with flex cord
Cord Length	118"

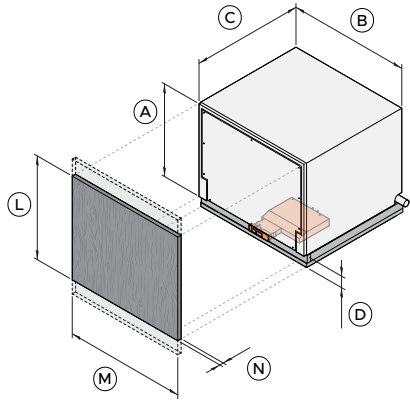
Note: For multi-residential installs, use the Rated Power to calculate the demand.



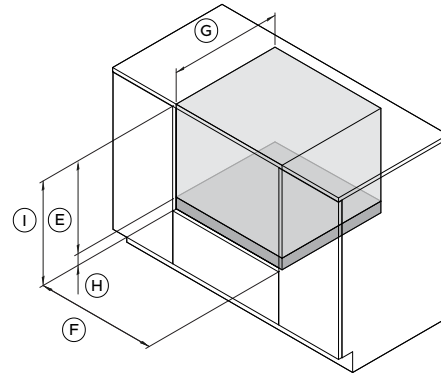
ISO VIEW
ELECTRICAL CONNECTION EXAMPLE

— ASSISTED OPENING ACCESSORY
— APPLIANCE

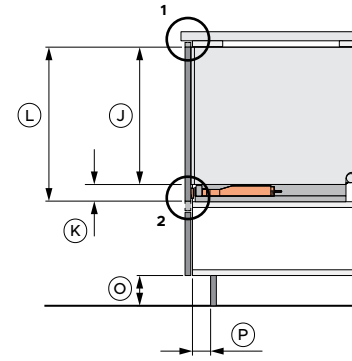
The models shown in this Planning Guide may not be available in all markets and are subject to change at any time. Product specifications may vary from those shown. This Planning Guide should not be used as installation guidance for any product. Further information is required to safely and correctly install the products featured here. Specific installation guidance will be available with the product on delivery and on our website fisherpaykel.com



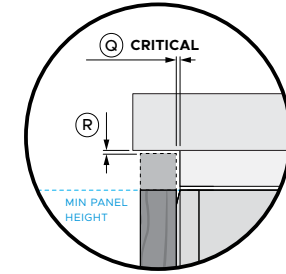
EXPLODED ISOMETRIC VIEW
PRODUCT



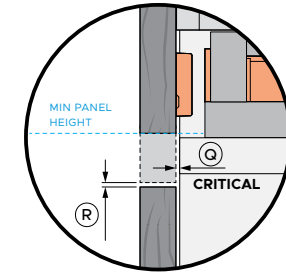
ISOMETRIC VIEW
CAVITY



SIDE VIEW
PRODUCT + CABINETRY



SIDE DETAIL 1
UPPER CABINETRY
CLEARANCE



SIDE DETAIL 2
LOWER CABINETRY
CLEARANCE

PRODUCT DIMENSIONS	inch	mm
A Height of appliance	17 7/8	454
B Width of appliance	23 9/16	599
C Depth of appliance*	21 3/4	553
D Height of AOA cabinetry assembly**	min 2 1/4	min 57

* Excludes panel.
** Assumes fixed shelf thickness of 3/4" (19mm).

CAVITY DIMENSIONS	inch	mm
E Height of appliance cavity	min 17 15/16	min 456
F Width of appliance cavity	min 23 5/8	min 600
G Depth of appliance cavity *	min 22 3/4	min 560
H Height of AOA cavity**	min 2 1/4	min 57
I Overall height of cavity	min 20 3/16	min 513

* Excludes panel.
** Assumes fixed shelf thickness of 3/4" (19mm).

CUSTOM PANEL DIMENSIONS	inch	mm
J Height from bottom of chassis to top of custom panel***	min 17 7/8	min 454
K Height from base of chassis to base of custom panel	min 2 3/16	min 55
L Overall height of custom panel from top of chassis***	min 20 1/16	min 509
M Width of custom panel	min 23 7/16	min 596
N Depth of custom panel	5/8 - 13/16	16 - 20

*** When custom panel level with top of chassis. Panel can be extended upwards.

CLEARANCE DIMENSIONS	inch	mm
O Minimum kick height****	3 15/16	100
P Minimum depth from front of cabinetry carcass to front of kick strip****	2 3/8	60
Q CRITICAL clearance depth between back of custom panel and front of cabinetry carcass*****	5/64 - 1/8	2-3
R Clearance between edges of custom panel to any obstruction above, below or sides.	min 1/16	min 2

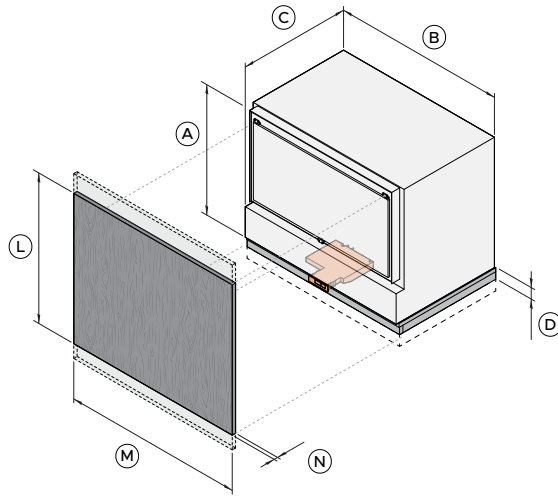
**** For venting through cabinet. Not applicable if vented through floor. Refer DishDrawer™ Planning and Installation Guides for further details.

***** To ensure DishDrawer™ can close securely against seals. Only applicable where there is an overlap between appliance panel and cabinetry.

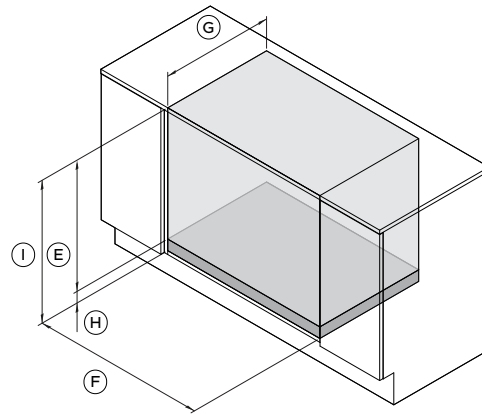
IMPORTANT

The AOA unit must be positioned below an appliance drawer to be close to drawer runners. Do not position the AOA unit above an appliance drawer.

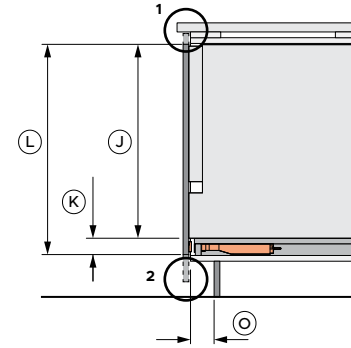
This AOA Planning Guide should be used alongside the relevant appliance Planning Guide.



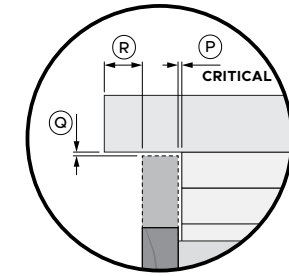
EXPLODED ISOMETRIC VIEW
PRODUCT



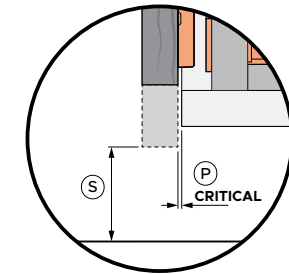
ISOMETRIC VIEW
CAVITY



SIDE VIEW
PRODUCT + CABINERY



SIDE DETAIL 1
UPPER CABINERY
CLEARANCE



SIDE DETAIL 2
FLOOR CLEARANCE

PRODUCT DIMENSIONS	inch	mm
A Height of appliance	25 3/16	640
B Width of appliance	33 11/16	855
C Depth of appliance *	21 15/16	557
D Height of AOA cabinetry assembly**	min 2 1/4	min 57

* Excludes panel.
** Assumes fixed shelf thickness of 3/4" (19mm).

CAVITY DIMENSIONS	inch	mm
E Height of appliance cavity	min 25 3/8	min 644
F Width of appliance cavity	min 34 1/32	min 862
G Depth of appliance cavity *	min 22 1/16	min 560
H Height of AOA cavity**	min 2 1/4	min 57
I Overall height of cavity	min 27 5/8	min 701

* Excludes panel.
** Assumes fixed shelf thickness of 3/4" (19mm).

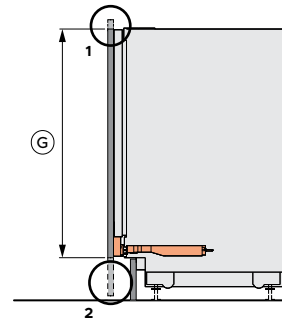
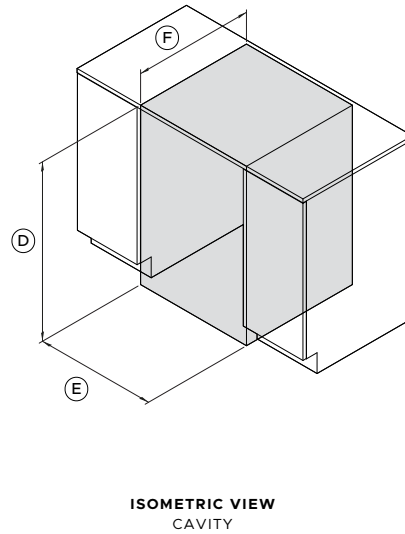
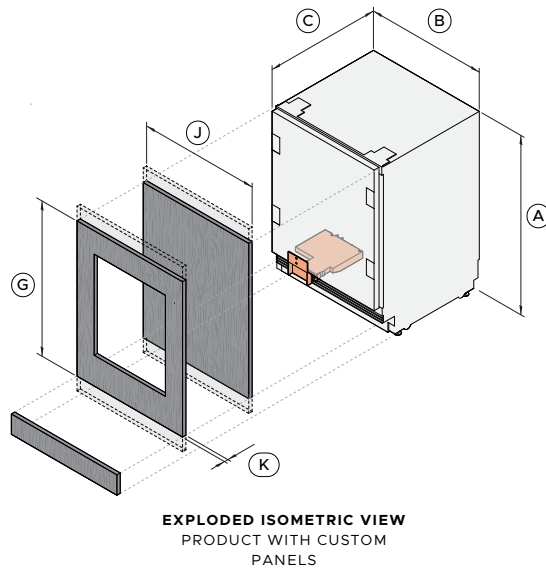
CUSTOM PANEL DIMENSIONS	inch	mm
J Height from bottom of chassis to top of custom panel	min 25 1/4	min 642
K Height from bottom of chassis to base of custom panel	min 2 1/8	min 54
L Overall height of custom panel	min 27 3/8	min 696
M Width of custom panel	min 33 3/4	min 858
N Depth of custom panel	5/8 - 13/16	16 - 20

CLEARANCE DIMENSIONS	inch	mm
O Depth from front of cabinetry carcass to front of kick strip***	min 3 1/16	min 78
P CRITICAL clearance depth between back of custom panel and front of cabinetry carcass****	5/64 - 1/8	2-3
Q Clearance from top of custom panel	min 1/16	min 2
R Overhang from front of bench to front of custom panel	max 13/16	max 20
S Clearance between bottom of custom panel and floor	min 2	min 50
Cabinetry clearance from side of custom panel (not shown)	min 1/16	min 2
Cabinetry clearance from base of custom panel (not shown)	min 1/8	min 3

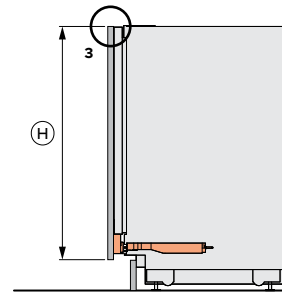
*** Required for venting of CoolDrawer™.
**** Applicable when there is an overlap between custom panel and cabinetry.

IMPORTANT

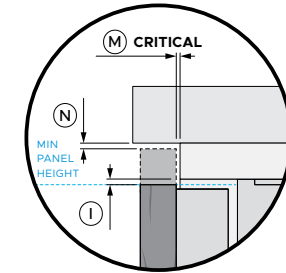
The AOA unit must be positioned below an appliance drawer to be close to drawer runners. Do not position the AOA unit above an appliance drawer. This AOA Planning Guide should be used alongside the relevant appliance Planning Guide.



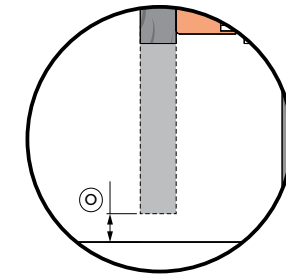
SIDE VIEW
PRODUCT WITH CUSTOM PANEL



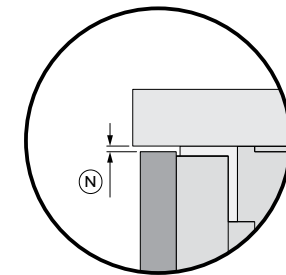
SIDE VIEW
PRODUCT WITH ACCESSORY PANEL



SIDE DETAIL 3
CUSTOM PANEL
UPPER CABINET
CLEARANCE



SIDE DETAIL 2
CUSTOM PANEL
FLOOR CLEARANCE



SIDE DETAIL 3
ACCESSORY PANEL
UPPER CABINET
CLEARANCE

Product Dimensions	inch	mm
A Height of appliance*	34 – 35 7/16	864 - 900
B Width of appliance	23 5/16	592
C Depth of appliance*	22 13/16	579

* Appliance feet adjustable by 17/16" (36mm).
** Excludes panel.

CAVITY DIMENSIONS	inch	mm
D Height of appliance cavity***	34 – 35 7/16	864 - 900
E Width of appliance cavity	23 5/8	600
F Depth of appliance cavity *	min 22 7/8	min 580

*** 34 1/2" (876mm) recommended height to align top of accessory panel with top of lower panel of 24" Bottom Freezer (RS2474).

PANEL DIMENSIONS	inch	mm
G Height of custom panel***	min 29 3/4	min 756
H Height of accessory panel	9 7/8 or 30 3/8	759 or 771
I Height from top of panel to top of chassis (custom panel can be extended upwards)	1/8	3
J Width of custom panel**** and accessory panel	23 5/16	592
K Depth of custom panel	5/8 - 3/4	16 - 19
L Depth of accessory panel	11/16	18

*** When positioned 1/8" (3mm) below top of chassis. Panel can be extended upwards.
**** Single installation, refer to appliance Planning Guide for double and triple.

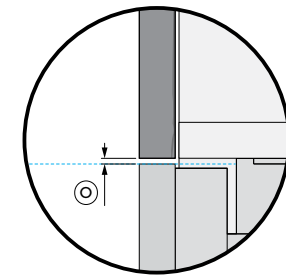
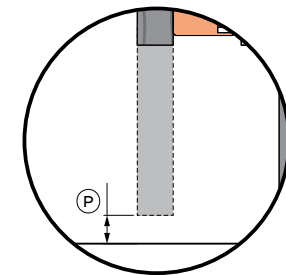
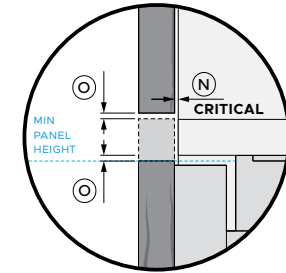
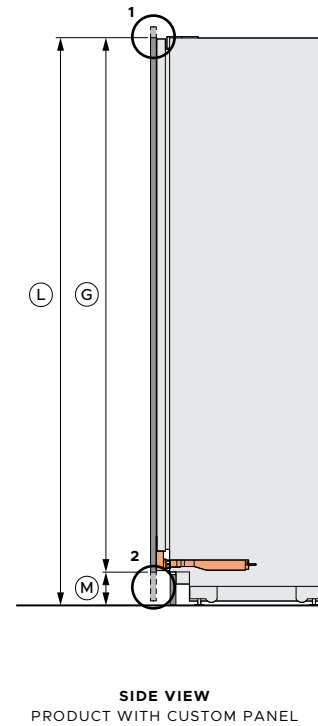
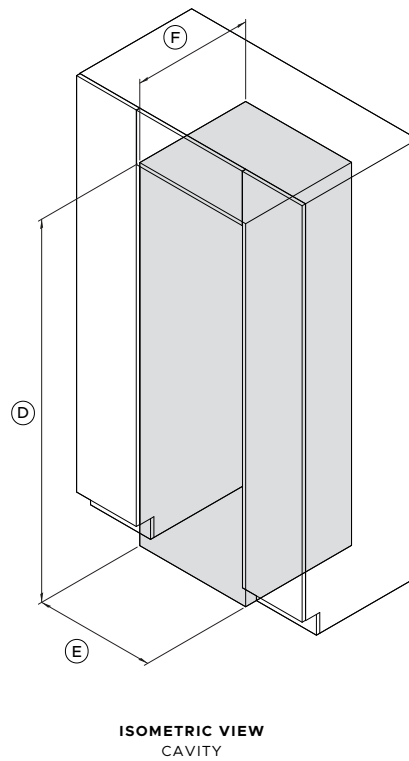
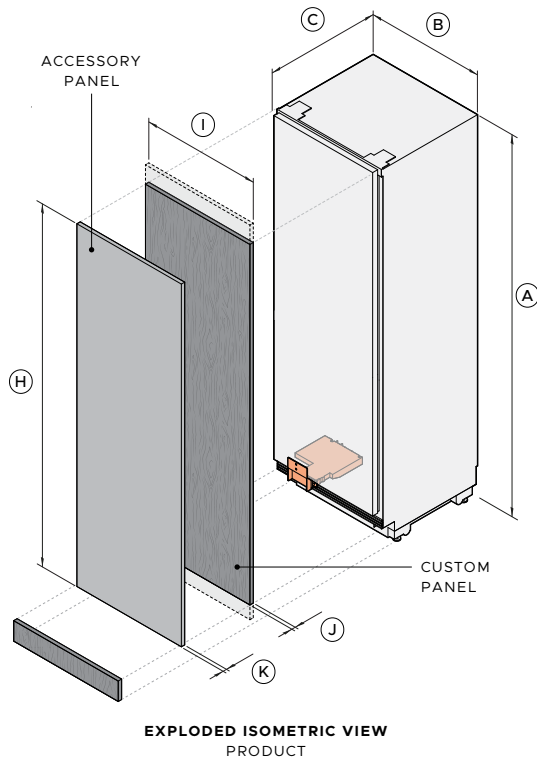
CLEARANCE DIMENSIONS	inch	mm
M CRITICAL clearance depth between back of custom panel and front of cabinetry carcass****	5/64 - 1/8	2-3
N Cabinetry clearance from top of panel	min 1/8	min 3
O Clearance between bottom of custom panel and floor	min 9/16	min 15
Cabinetry clearance from side of appliance panel (not shown)	5/32	4

***** Applicable when there is an overlap between custom panel and cabinetry.

IMPORTANT

This AOA Planning Guide should be used alongside the relevant appliance Planning Guide.

The models shown in this Planning Guide may not be available in all markets and are subject to change at any time. Product specifications may vary from those shown. This Planning Guide should not be used as installation guidance for any product. Further information is required to safely and correctly install the products featured here. Specific installation guidance will be available with the product on delivery and on our website fisherpaykel.com



Product Dimensions	inch	mm
A Height of appliance	74	1880
B Width of appliance	23 5/16	592
C Depth of appliance	22 13/16	579

* Excludes panel.

CAVITY DIMENSIONS	inch	mm
D Height of appliance cavity	74	1880
E Width of appliance cavity	23 5/8	600
F Depth of appliance cavity*	min 22 7/8	min 580

PANEL DIMENSIONS	inch	mm
G Height of custom panel**	min 69 9/16	min 1767
H Height of accessory panel	69 7/8	1775
I Width of custom panel*** and accessory panel	23 5/16	592
J Depth of custom panel	5/8 - 3/4	16 - 19
K Depth of accessory panel	11/16	18
L Height from floor to top of panel****	73 7/8	1877
M Height of visual toe kick	9/16 - 4 5/16	15 - 110

** When positioned 3mm below top of chassis.
 *** Single installation, refer to appliance Planning Guide for double and triple.
 **** Custom panel can be extended upwards.

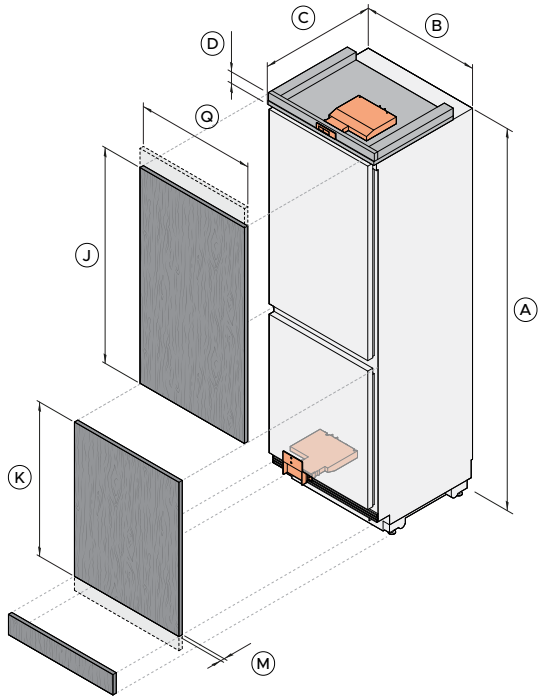
CLEARANCE DIMENSIONS	inch	mm
N CRITICAL clearance depth between back of custom panel and front of cabinetry carcass*****	5/64 - 1/8	2-3
O Cabinetry clearance from top of panel	1/8	min 3
P Clearance between bottom of custom panel to floor	min 9/16	min 15
Cabinetry clearance from side of panel (not shown)	5/32	4

***** Applicable when there is an overlap between custom panel and cabinetry.

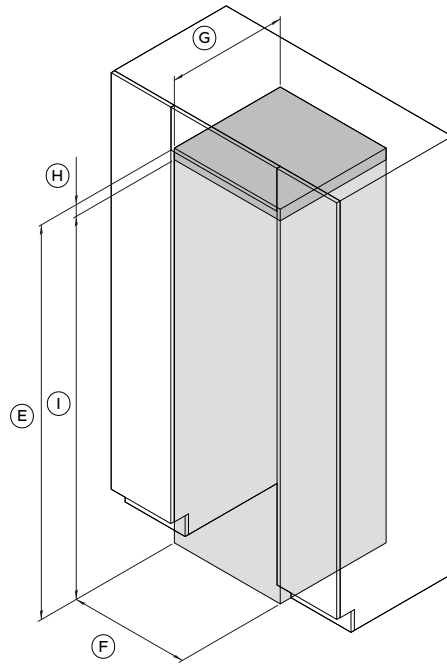
IMPORTANT

This AOA Planning Guide should be used alongside the relevant appliance Planning Guide.

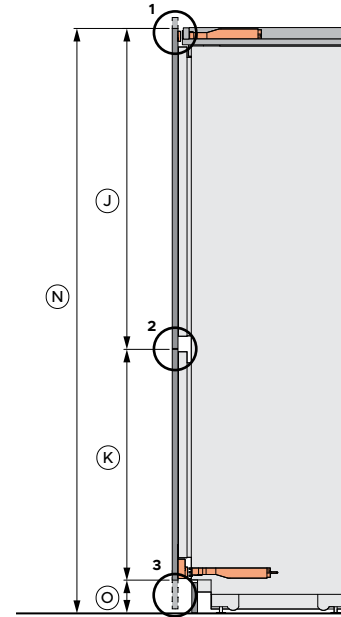
The models shown in this Planning Guide may not be available in all markets and are subject to change at any time. Product specifications may vary from those shown. This Planning Guide should not be used as installation guidance for any product. Further information is required to safely and correctly install the products featured here. Specific installation guidance will be available with the product on delivery and on our website fisherpaykel.com



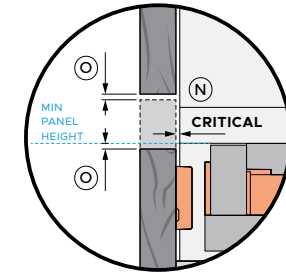
EXPLODED ISOMETRIC VIEW
PRODUCT



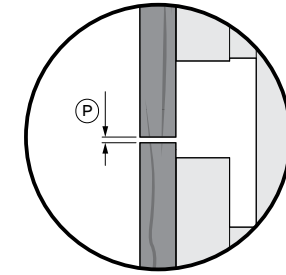
ISOMETRIC VIEW
CAVITY



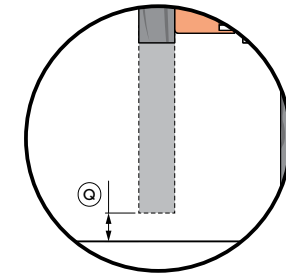
SIDE VIEW
PRODUCT WITH CUSTOM PANEL



SIDE DETAIL 3
CUSTOM PANEL
UPPER CABINET
CLEARANCE



SIDE DETAIL 2
CLEARANCE BETWEEN
CUSTOM PANELS



SIDE DETAIL 3
CUSTOM PANEL
FLOOR CLEARANCE

Product Dimensions	inch	mm
A Height of appliance	74	1880
B Width of appliance	23 5/16	592
C Depth of appliance*	22 13/16	579
D Height of AOA cabinetry assembly**	min 2 1/4	min 57

* Excludes panel.
** Assumes fixed shelf thickness of 3/4" (19mm).

CAVITY DIMENSIONS	inch	mm
E Height of appliance cavity	74	1880
F Width of appliance cavity	23 5/8	600
G Depth of appliance cavity*	min 22 7/8	min 580
H Height of AOA cavity**	min 2 1/4	min 57
I Overall height of cavity	76 1/4	min 1937

* Excludes panel.
** Assumes fixed shelf thickness of 3/4" (19mm).

PANEL DIMENSIONS	inch	mm
J Height of upper custom panel***	39 7/16	min 1001
K Height of lower custom panel	30 1/16	min 763
L Width of custom panel****	23 5/16	592
M Depth of custom panel	5/8 - 3/4	16 - 19
N Height from floor to top of upper custom panel***	min 76 1/8	min 1934
O Height of visual toe kick	9/16 - 4 5/16	15 - 110

*** Custom panel can be extended upwards.
**** Single installation, refer to appliance Planning Guide for double and triple.

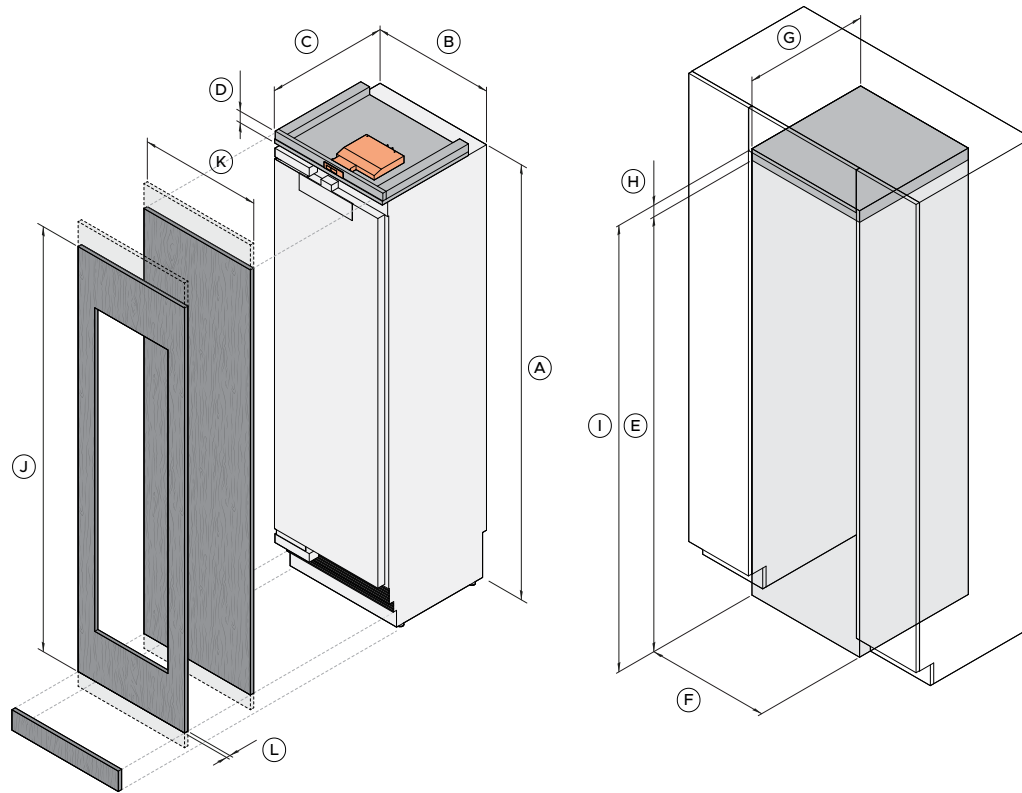
CLEARANCE DIMENSIONS	inch	mm
P CRITICAL clearance depth between back of custom panels and front of cabinetry carcass*****	5/64 - 1/8	2-3
Q Cabinetry clearance above upper custom panel	1/8	3
R Clearance between upper and lower panels	1/8	3
S Clearance between bottom of custom panel to floor	min 9/16	min 15
Cabinetry clearance from side of custom panel (not shown)	5/32	4

***** Applicable when there is an overlap between custom panel and cabinetry.

IMPORTANT

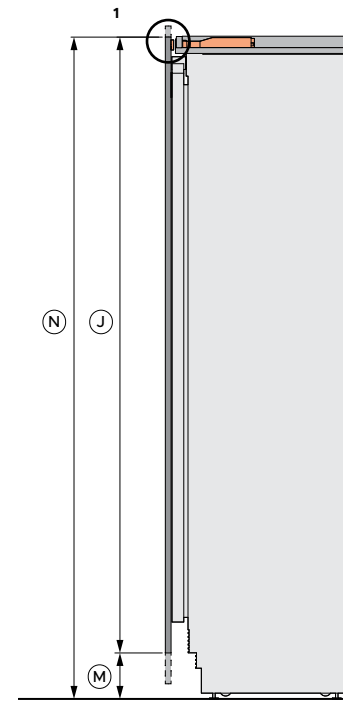
This AOA Planning Guide should be used alongside the relevant appliance Planning Guide.

The models shown in this Planning Guide may not be available in all markets and are subject to change at any time. Product specifications may vary from those shown. This Planning Guide should not be used as installation guidance for any product. Further information is required to safely and correctly install the products featured here. Specific installation guidance will be available with the product on delivery and on our website fisherpaykel.com

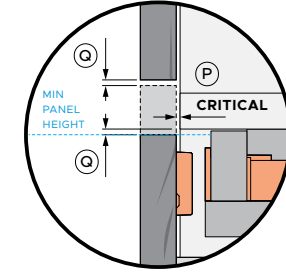


EXPLODED ISOMETRIC VIEW
PRODUCT

ISOMETRIC VIEW
CAVITY



SIDE VIEW
PRODUCT WITH CUSTOM PANEL



SIDE DETAIL 1
CUSTOM PANEL UPPER
CABINET CLEARANCE

IMPORTANT

This AOA Planning Guide should be used alongside the relevant appliance Planning Guide.

PRODUCT DIMENSIONS	inch	mm
A Height of appliance	84	2134
B Width of appliance		
18"	17 3/4	451
24"	23 3/4	603
30"	29 3/4	756
C Depth of appliance*	24	610
D Height of AOA cabinetry assembly**	min 2 1/4	min 57

* Excluding panel.
** Assumes fixed shelf thickness of 3/4" (19mm).

CAVITY DIMENSIONS	inch	mm
E Height of appliance cavity	84	2134
F Width of appliance cavity***		
18"	18	457
24"	24	610
30"	30	762
G Depth of appliance cavity*	min 24 1/4	min 616
H Height of AOA cavity**	min 2 1/4	min 57
I Overall height of cavity	min 86 1/4	min 2191

*** Single installation, refer to appliance Planning Guide for double and triple.

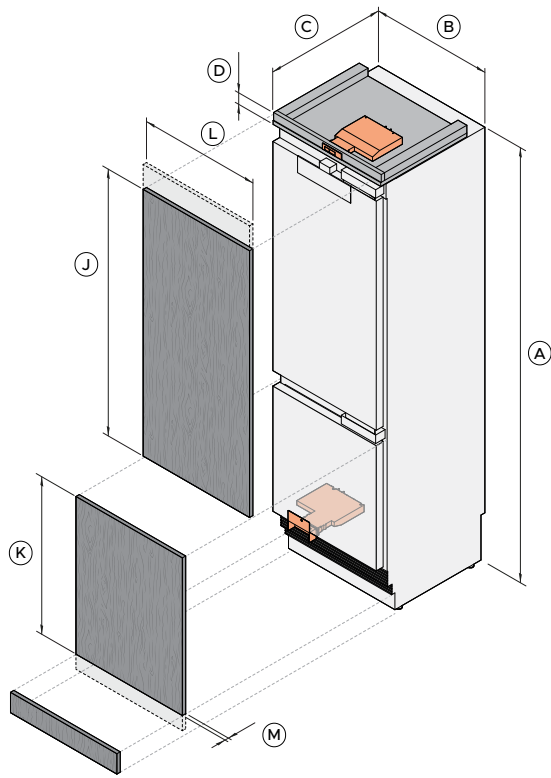
CUSTOM PANEL DIMENSIONS	inch	mm
J Height of custom panel***	min 80 1/8	min 2036
K Width of custom panel***		
18"	17 3/4	451
24"	23 3/4	603
30"	29 3/4	756
L Depth of custom panel	5/8 - 1	16 - 25
M Visual kick height ****	2 - 6	51 - 152
N Height from floor to top of custom panel***	min 86 1/8	min 2188

*** Custom panel can be extended upwards.
**** Grille becomes visible at heights more than 4" (102mm).

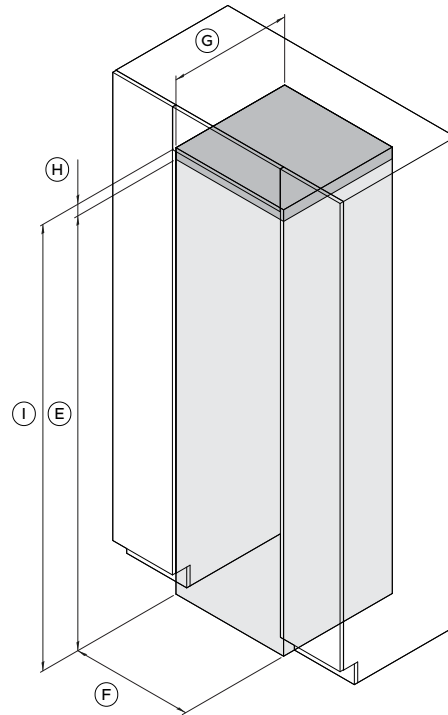
CLEARANCE DIMENSIONS	inch	mm
A CRITICAL clearance depth between back of custom panel and front of cabinetry carcass****	5/64 - 1/8	2-3
B Cabinetry clearance above upper custom panel	1/8	3
C Cabinetry clearance from side of custom panel (not shown)	1/8	3

**** Applicable when there is an overlap between custom panel and cabinetry.

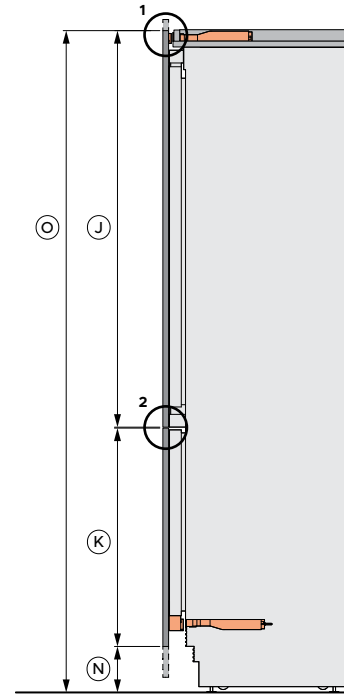
The models shown in this Planning Guide may not be available in all markets and are subject to change at any time. Product specifications may vary from those shown. This Planning Guide should not be used as installation guidance for any product. Further information is required to safely and correctly install the products featured here. Specific installation guidance will be available with the product on delivery and on our website fisherpaykel.com



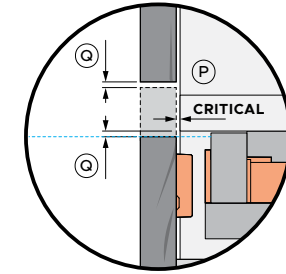
EXPLODED ISOMETRIC VIEW
PRODUCT



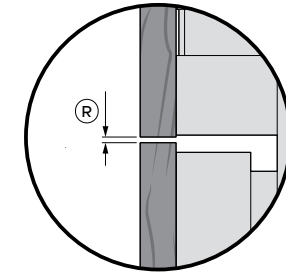
ISOMETRIC VIEW
CAVITY



SIDE VIEW
PRODUCT WITH CUSTOM PANEL



SIDE DETAIL 1
CUSTOM PANEL UPPER
CABINET CLEARANCE



SIDE DETAIL 2
CUSTOM PANEL FLOOR
CLEARANCE

IMPORTANT

This AOA Planning Guide should be used alongside the relevant appliance Planning Guide.

PRODUCT DIMENSIONS	inch	mm
A Height of appliance	84	2134
B Width of appliance		
24"	23 3/4	603
30"	29 3/4	756
C Depth of appliance*	24	610
D Height of AOA cabinetry assembly**	min 2 1/4	min 57

* Excludes panels.
** Assumes fixed shelf thickness of 3/4" (19mm).

CAVITY DIMENSIONS	inch	mm
E Height of appliance cavity	84	2134
F Width of appliance cavity***		
24"	24	610
30"	30	762
G Depth of appliance cavity*	min 24 1/4	min 616
H Height of AOA cavity**	min 2 1/4	min 57
I Overall height of cavity	min 86 1/4	min 2191

*** Single installation, refer to appliance Planning Guide for double and triple.

CUSTOM PANEL DIMENSIONS	inch	mm
J Height of upper custom panel****	min 51 5/8	min 1312
K Height of lower custom panel	min 28 3/8	min 721
L Width of custom panel***		
24"	23 3/4	603
30"	29 3/4	756
M Depth of custom panel	5/8 - 1	16 - 25
N Visual kick height (height from base of panel to floor)	2 - 6	50 - 152
O Height from floor to top of upper custom panel****	min 86 1/8	min 2188

**** Panel can be extended upwards.
***** Grille becomes visible at heights more than 4" (100mm).

CLEARANCE DIMENSIONS	inch	mm
P CRITICAL clearance depth between back of custom panels and front of cabinetry carcass*****	5/64 - 1/8	2-3
Q Cabinetry clearance above upper custom panel	1/8	3
R Clearance between upper and lower panels	1/8	3
Cabinetry clearance from side of custom panel (not shown)	1/8	3

***** Applicable when there is an overlap between custom panel and cabinetry.

The models shown in this Planning Guide may not be available in all markets and are subject to change at any time. Product specifications may vary from those shown. This Planning Guide should not be used as installation guidance for any product. Further information is required to safely and correctly install the products featured here. Specific installation guidance will be available with the product on delivery and on our website fisherpaykel.com

