

## 60CM CONTEMPORARY OVENS

---

# PLANNING GUIDE

---

**SERIES 5 OVEN** | OB60SBC7B5

**SERIES 5 OVEN** | OB60SBC6B5

**SERIES 5 OVEN** | OB60SBC5B5

**SERIES 5 COMPACT OVEN** | OB60NBC7B5

**INTRODUCTION**

This comprehensive planning guide provides you with the framework and tools to achieve your desired design outcome with Fisher & Paykel appliances. In this guide, you will find a range of conceptual, detailed, and dimensional product information to bring your ideas to life and create spaces that truly reflect your vision.

**SUPPORT**

For additional design planning and installation support please contact the Fisher & Paykel design support team.  
**designsupport@fisherpaykel.com**

**NOTES**

The models shown in this Planning Guide may not be available in all markets and are subject to change at any time. Refer to our website [fisherpaykel.com](http://fisherpaykel.com) for the latest document version. Product specifications may vary from those shown.  
 This Planning Guide should not be used as installation guidance for any product. Specific installation guidance will be available with the product on delivery and on our website.

**CONCEPT DESIGN** **PAGE**

**DEVELOPED AND DETAILED DESIGN** **PAGE**

**DEVELOPED AND DETAILED DESIGN** **PAGE**

SPECIFICATION GUIDE

DATA SHEETS

Oven - 7 Function	<b>4</b>
Oven - 6 Function	<b>5</b>
Oven - 5 Function	<b>6</b>
Oven Specification	<b>7</b>
Compact Oven	<b>8</b>
Compact Oven Specification	<b>9</b>

Ovens	<b>11</b>
Compact Oven	<b>12</b>

# **SPECIFICATION GUIDE**

## SERIES 5



**OVERVIEW**

Designed to be distinctive and timeless, this Contemporary oven complements a wide range of kitchen styles. The dial controls are easy to use and offer simple operation of 7 versatile functions including Air Fry.

**PRODUCTS**

OB60SBC7B5 - Black  
60cm Series 5 Contemporary Oven, 7 Function

**FEATURES**

- 1 Contemporary style is distinctive and timeless to complement a wide range of kitchen styles
- 2 Generous 72L useable capacity
- 3 Easy to use dials for simple control
- 4 Even heat distribution thanks to AeroTech™ technology
- 5 7 versatile functions including Air Fry



**SERIES & STYLE**

Series 5  
Contemporary

**ACCESSORIES**

- 1 Chrome Side Ladders
- 2 Wire Shelf
- 3 Multi-functional Air Fry Tray
- 4 Roasting Dish

The models shown in this Planning Guide may not be available in all markets and are subject to change at any time. Product specifications may vary from those shown. This Planning Guide should not be used as installation guidance for any product. Further information is required to safely and correctly install the products featured here. Specific installation guidance will be available with the product on delivery and on our website [fisherpaykel.com](http://fisherpaykel.com)



**OVERVIEW**

Designed to be distinctive and timeless, this Contemporary oven complements a wide range of kitchen styles. The dial controls are easy to use and offer simple operation of 6 versatile functions including Air Fry.

**PRODUCTS**

OB60SBC6B5 - Black  
60cm Series 5 Contemporary Oven, 6 Function

**FEATURES**

- 1 Contemporary style is distinctive and timeless to complement a wide range of kitchen styles
- 2 Generous 72L useable capacity
- 3 Easy to use dials for simple control
- 4 Even heat distribution thanks to AeroTech™ technology
- 5 6 versatile functions including Air Fry



**SERIES & STYLE**

Series 5  
Contemporary

**ACCESSORIES**

- 1 Chrome Side Ladders
- 2 Wire Shelf
- 3 Roasting Dish
- 4 Flat Brushed Baking Tray

The models shown in this Planning Guide may not be available in all markets and are subject to change at any time. Product specifications may vary from those shown. This Planning Guide should not be used as installation guidance for any product. Further information is required to safely and correctly install the products featured here. Specific installation guidance will be available with the product on delivery and on our website [fisherpaykel.com](http://fisherpaykel.com)



### OVERVIEW

Designed to be distinctive and timeless, this Contemporary oven complements a wide range of kitchen styles. The dial controls are easy to use and offer simple operation of 5 versatile functions including Air Fry.

### PRODUCTS

OB60SBC5B5 - Black  
60cm Series 5 Contemporary Oven, 5 Function



### SERIES & STYLE

Series 5  
Contemporary

### FEATURES

- 1 Contemporary style is distinctive and timeless to complement a wide range of kitchen styles
- 2 Generous 72L useable capacity
- 3 Easy to use dials for simple control
- 4 Even heat distribution thanks to AeroTech™ technology
- 5 5 versatile functions including Air Fry

### ACCESSORIES

- 1 Chrome Side Ladders
- 2 Wire Shelf
- 3 Roasting Dish
- 4 Flat Brushed Baking Tray

The models shown in this Planning Guide may not be available in all markets and are subject to change at any time. Product specifications may vary from those shown. This Planning Guide should not be used as installation guidance for any product. Further information is required to safely and correctly install the products featured here. Specific installation guidance will be available with the product on delivery and on our website [fisherpaykel.com](https://www.fisherpaykel.com)

**SPECIFICATIONS**

**MODEL NUMBER**

OB60SBC7B5	60cm Series 5 Contemporary Oven, 7 Function - Black
OB60SBC6B5	60cm Series 5 Contemporary Oven, 6 Function - Black
OB60SBC5B5	60cm Series 5 Contemporary Oven, 5 Function - Black

**ELECTRICAL**

Dedicated Circuit (A)	16
Rated Power (W)	2700 - 3200 (OB60SBC7B5)
	2700 - 3100 (OB60SBC6B5)
	2700 - 3200 (OB60SBC5B5)
Supply (Hz)	50
Voltage (V)	220 - 240
Connection	Hard-wired, min 1500mm*

\*The electrician is required to provide a free length of power supply cable extending at least 1500mm in front of the bottom edge of the cavity opening.

Note: For multi-residential installations, use the Rated Power to calculate the demand.

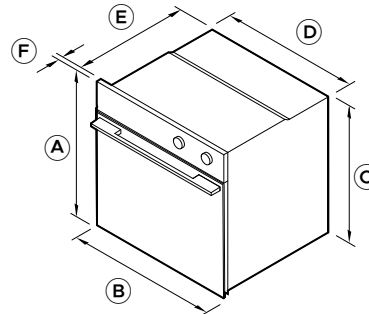
**CAPACITY**

Total Oven capacity	85L
---------------------	-----

**WEIGHTS**

Packaged	52kg
Unpackaged	42kg

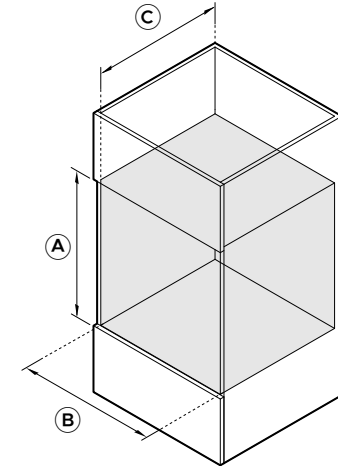
**PRODUCT DIMENSIONS**



ISOMETRIC VIEW

	mm
<b>A</b> Overall product height	598
<b>B</b> Overall product width	596
<b>C</b> Chassis height	575
<b>D</b> Chassis width	556
<b>E</b> Chassis depth	545
<b>F</b> Front frame depth (excludes handle)	20
Door open depth at 90° (from product front)	447

**CAVITY DIMENSIONS**



ISOMETRIC VIEW

	mm
<b>A</b> Cavity height	min 580
<b>B</b> Cavity width	min 560
<b>C</b> Cavity depth (from chassis front datum)	min 550

The models shown in this Planning Guide may not be available in all markets and are subject to change at any time. Product specifications may vary from those shown. This Planning Guide should not be used as installation guidance for any product. Further information is required to safely and correctly install the products featured here. Specific installation guidance will be available with the product on delivery and on our website fisherpaykel.com



**OVERVIEW**

Designed to be distinctive and timeless, this compact Contemporary oven complements a wide range of kitchen styles. The dial controls are easy to use and offer simple operation of 7 versatile functions including Air Fry.

**PRODUCTS**

OB60NBC7B5 - Black  
60cm Series 5 Contemporary Compact Oven, 7 Function

**FEATURES**

- 1 Contemporary style is distinctive and timeless to complement a wide range of kitchen styles
- 2 Compact 45L useable capacity
- 3 Easy to use dials for simple control
- 4 Even heat distribution thanks to AeroTech™ technology
- 5 7 versatile functions including Air Fry



**SERIES & STYLE**

Series 5  
Contemporary

**ACCESSORIES**

- 1 Chrome Side Ladders
- 2 Wire Shelf
- 3 Roasting Dish
- 4 Flat Brushed Baking Tray

The models shown in this Planning Guide may not be available in all markets and are subject to change at any time. Product specifications may vary from those shown. This Planning Guide should not be used as installation guidance for any product. Further information is required to safely and correctly install the products featured here. Specific installation guidance will be available with the product on delivery and on our website [fisherpaykel.com](http://fisherpaykel.com)

**SPECIFICATIONS**

**MODEL NUMBER**

OB60NBC7B5 60cm Series 5 Contemporary Compact Oven, 7 Function - Black

**ELECTRICAL**

Dedicated Circuit (A) 16

Rated Power (W) 2700 - 3100

Supply (Hz) 50

Voltage (V) 220 - 240

Connection Hard-wired, min 1500mm\*

\*The electrician is required to provide a free length of power supply cable extending at least 1500mm in front of the bottom edge of the cavity opening.

Note: For multi-residential installations, use the Rated Power to calculate the demand.

**CAPACITY**

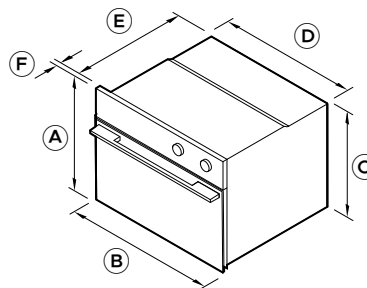
Total Oven capacity 55L

**WEIGHTS**

Packaged 41kg

Unpackaged 33kg

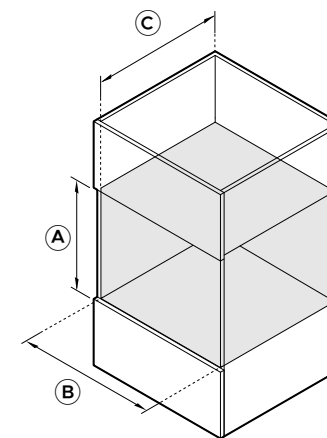
**PRODUCT DIMENSIONS**



ISOMETRIC VIEW

	mm
<b>A</b> Overall product height	458
<b>B</b> Overall product width	596
<b>C</b> Chassis height	435
<b>D</b> Chassis width	556
<b>E</b> Chassis depth	545
<b>F</b> Front frame depth (excludes handle)	20
Door open depth at 90° (from product front)	307

**CAVITY DIMENSIONS**

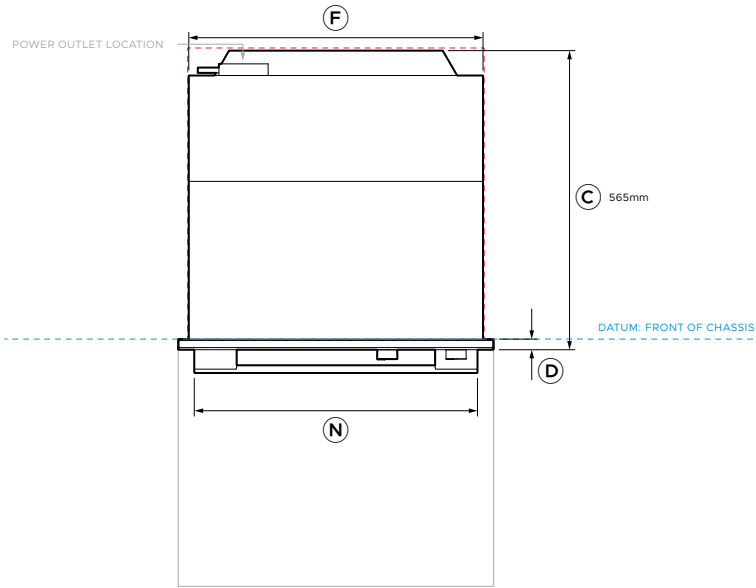


ISOMETRIC VIEW

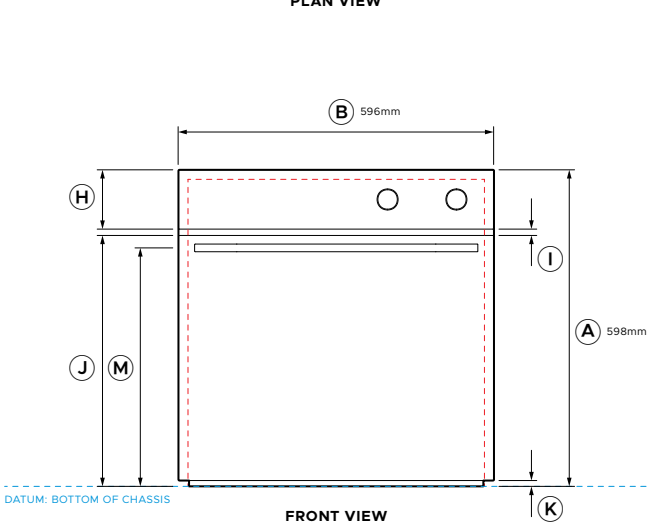
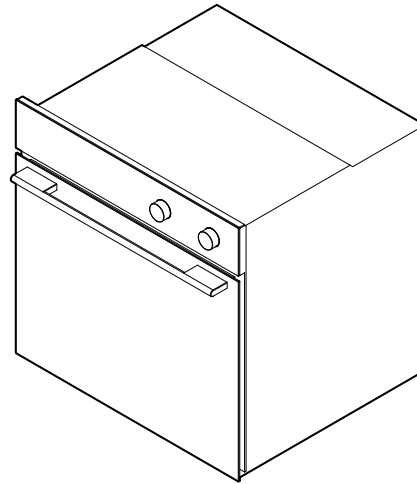
	mm
<b>A</b> Cavity height	min 440
<b>B</b> Cavity width	min 560
<b>C</b> Cavity depth (from chassis front datum)	min 550

The models shown in this Planning Guide may not be available in all markets and are subject to change at any time. Product specifications may vary from those shown. This Planning Guide should not be used as installation guidance for any product. Further information is required to safely and correctly install the products featured here. Specific installation guidance will be available with the product on delivery and on our website [fisherpaykel.com](http://fisherpaykel.com)

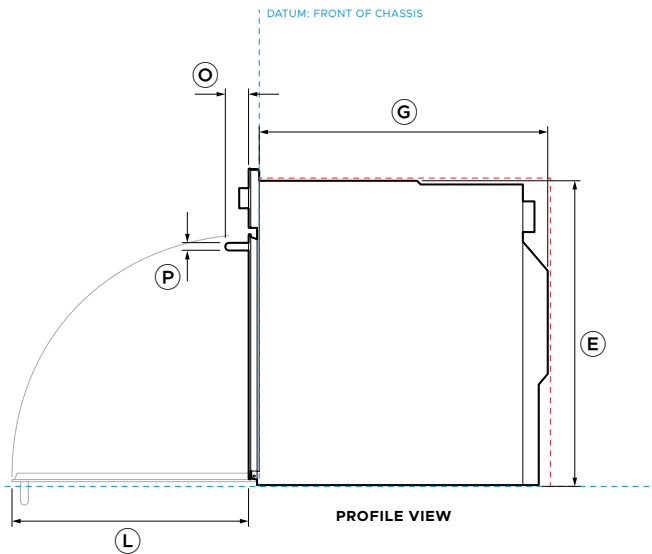
## DATA SHEETS



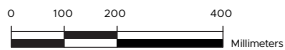
PLAN VIEW



FRONT VIEW



PROFILE VIEW



<b>Model no:</b>	
<b>OB60SBC7B5</b>	60cm Series 5 Contemporary Oven, 7 Function - Black
<b>OB60SBC6B5</b>	60cm Series 5 Contemporary Oven, 6 Function - Black
<b>OB60SBC5B5</b>	60cm Series 5 Contemporary Oven, 5 Function - Black

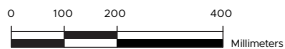
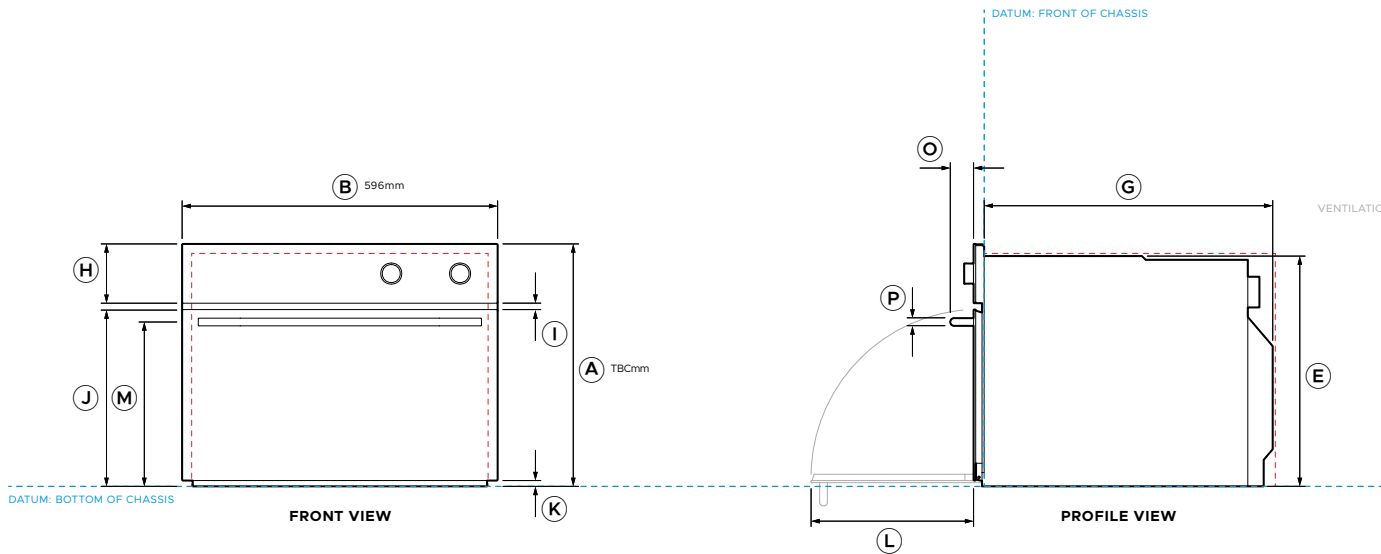
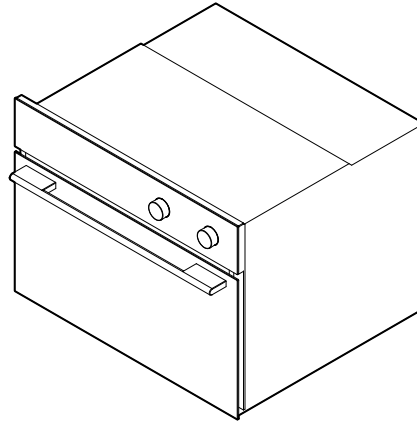
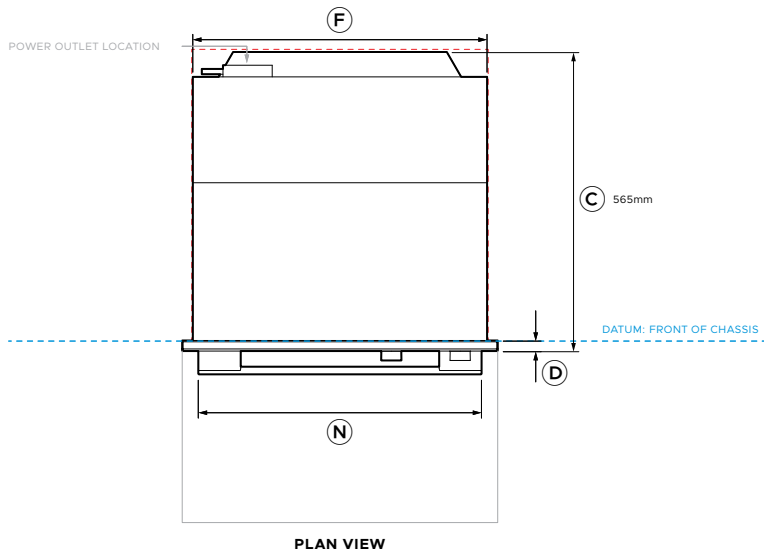
Product Dimensions	mm
<b>A</b> Overall product height	598
<b>B</b> Overall product width	596
<b>C</b> Overall product depth (excludes handle)	565
<b>D</b> Front frame depth (excludes handle)	20
<b>E</b> Chassis height	575
<b>F</b> Chassis width	556
<b>G</b> Chassis depth	545
<b>H</b> Control panel height	112
<b>I</b> Door-to-control panel gap	12
<b>J</b> Door upper edge height (from chassis base datum)	474
<b>K</b> Door lower edge height (from chassis base datum)	11
<b>L</b> Door open depth at 90° (from product front)	447
<b>M</b> Handle centreline height (from chassis base datum)	450.5
<b>N</b> Handle width	535
<b>O</b> Handle depth (projection)	44
<b>P</b> Handle thickness	15

Minimum Clearances	mm
Cavity height	min 580
Cavity width	min 560
Cavity depth (from chassis front datum)	min 550
Front frame clearance - top & sides*	min 2

\*Products require no bottom clearance between product to cabinetry front panel or appliance.

----- INDICATES PRODUCT DATUM  
 - - - - - INDICATES CABINETRY CLEARANCES

IMPORTANT NOTE: Throughout this guide, dimensions may vary by ±2mm (1/16"). Please read the installation manual for detailed information on installing the product. For full installation instructions & specifications visit [fisherpaykel.com](http://fisherpaykel.com)



**Model no:**

**OB60NBC7B5**

60cm Series 5 Contemporary Compact Oven, 7  
Function - Black

**Product Dimensions**

	<b>mm</b>
<b>A</b> Overall product height	458
<b>B</b> Overall product width	596
<b>C</b> Overall product depth (excludes handle)	565
<b>D</b> Front frame depth (excludes handle)	20
<b>E</b> Chassis height	435
<b>F</b> Chassis width	556
<b>G</b> Chassis depth	545
<b>H</b> Control panel height	112
<b>I</b> Door-to-control panel gap	12
<b>J</b> Door upper edge height (from chassis base datum)	334
<b>K</b> Door lower edge height (from chassis base datum)	11
<b>L</b> Door open depth at 90° (from product front)	307
<b>M</b> Handle centreline height (from chassis base datum)	310.5
<b>N</b> Handle width	535
<b>O</b> Handle depth (projection)	44
<b>P</b> Handle thickness	15

**Minimum Clearances**

	<b>mm</b>
Cavity height	min 440
Cavity width	min 560
Cavity depth (from chassis front datum)	min 550
Front frame clearance - top & sides*	min 2

\*Product requires no bottom clearance between product to cabinetry front panel or appliance.

----- INDICATES PRODUCT DATUM  
----- INDICATES CABINERY CLEARANCES

IMPORTANT NOTE: Throughout this guide, dimensions may vary by ±2mm (1/16"). Please read the installation manual for detailed information on installing the product. For full installation instructions & specifications visit [fisherpaykel.com](http://fisherpaykel.com)

