

SERIES 9 & 7 BUILT-IN TALL DISHWASHER

PLANNING GUIDE

CONTEMPORARY | DW24UDT4X4 | DW24UDT2X4 | DW24UCT2X4

FISHER & PAYKEL

INTRODUCTION

This comprehensive planning guide provides you with the framework and tools to achieve your desired design outcome with Fisher & Paykel appliances. In this guide, you will find a range of conceptual, detailed, and dimensional product information to bring your ideas to life and create spaces that truly reflect your vision.

SUPPORT

For additional design planning and installation support please contact the Fisher & Paykel design support team designsupport@fisherpaykel.com

NOTES

The models shown in this Planning Guide may not be available in all markets and are subject to change at any time. Refer to our website fisherpaykel.com for the latest document version. Product specifications may vary from those shown. This Planning Guide should not be used as installation guidance for any product. Specific installation guidance will be available with the product on delivery and on our website.

CONTENTS

CONCEPT DESIGN	PAGE	DEVELOPED AND DETAILED DESIGN	PAGE	DEVELOPED AND DETAILED DESIGN	PAGE
Design choice		Data Sheets		Services	
Dishwashing Styles	4	DW24UDT4X4, DW24UDT2X4	13	All Models	16
Model Overview	5	DW24UCT2X4	14		
Specification guide					
DW24UDT4X4	7				
DW24UDT2X4	8				
DW24UCT2X4	10				

The models shown in this Planning Guide may not be available in all markets and are subject to change at any time. Product specifications may vary from those shown. This Planning Guide should not be used as installation guidance for any product. Further information is required to safely and correctly install the products featured here. Specific installation guidance will be available on our website fisherpaykel.com

DESIGN CHOICE

INTEGRATED



PANEL READY CUSTOM HANDLE



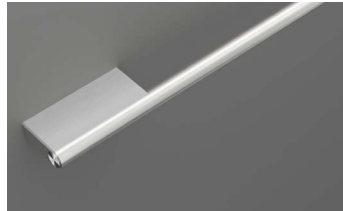
With minimal installation gaps for a precise fit, Integrated style Dishwashers are designed to sit flush with surrounding cabinetry. Choose to fully integrate with custom panels or pair with stainless steel panels and Professional, Contemporary or Minimal handles for a cohesive kitchen design.

* Handle and Door Panel accessories for integrated dishwashers are available on the website

CONTEMPORARY



CONTEMPORARY PROUD HANDLE



Defined by clean lines and timeless design cues, Contemporary style Dishwashers bring a sense of balance and refinement to the kitchen. The proud handle adds visual definition and a tactile element that enhances both the look and usability of the design.

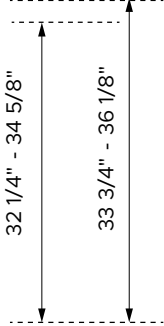
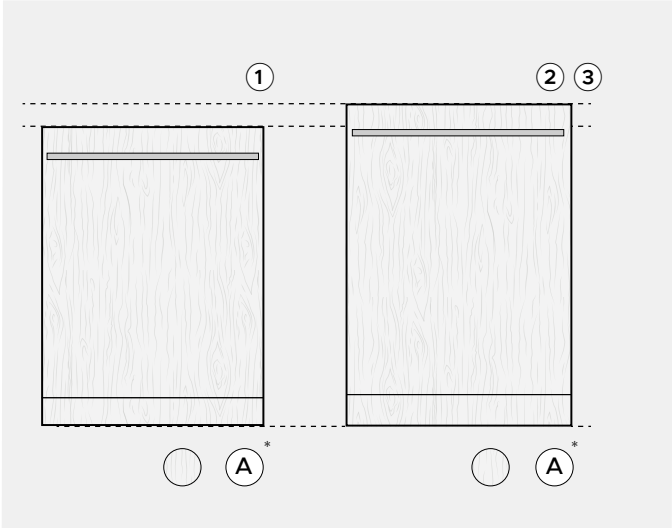
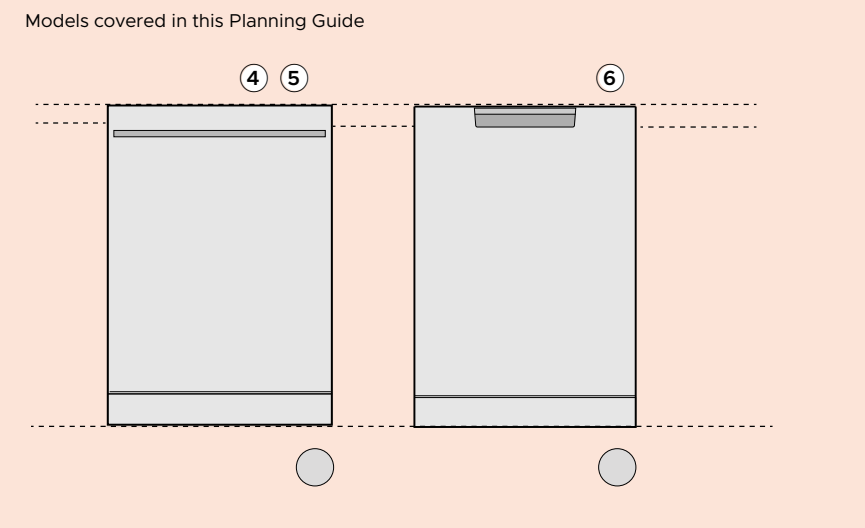


CONTEMPORARY POCKET HANDLE



Defined by clean lines and timeless design cues, Contemporary style Dishwashers bring a sense of balance and refinement to the kitchen. The pocket handle offers versatile styling, designed to align with a wide range of appliance aesthetics, whether specified for a replacement appliance or a new kitchen design.

The models shown in this Planning Guide may not be available in all markets and are subject to change at any time. Product specifications may vary from those shown. This Planning Guide should not be used as installation guidance for any product. Further information is required to safely and correctly install the products featured here. Specific installation guidance will be available with the product on delivery and on our website fisherpaykel.com

HEIGHT	INTEGRATED	BUILT-IN	
		<p>Models covered in this Planning Guide</p> 	
STANDARD HEIGHT	<p>1 DW60U213* Series 7 Integrated</p>	<p>Not Available</p>	
TALL HEIGHT	<p>2 DW24UT4I2* Series 9 Integrated</p> <p>3 DW24UT2I3* Series 7 Integrated</p>	<p>4 DW24UDT4X4 Series 9 Contemporary</p> <p>5 DW24UDT2X4 Series 7 Contemporary</p>	<p>6 DW24UCT2X4 Series 7 Contemporary</p>

*Details for Handle and Door Panel accessories for integrated dishwashers are available on the website

The models shown in this Planning Guide may not be available in all markets and are subject to change at any time. Product specifications may vary from those shown. This Planning Guide should not be used as installation guidance for any product. Further information is required to safely and correctly install the products featured here. Specific installation guidance will be available with the product on delivery and on our website fisherpaykel.com

SPECIFICATION GUIDE



OVERVIEW

Designed for built in installation, this Series 9 tall dishwasher features a contemporary handle design. Top of door controls with soft black UI keep lines clean. Pitch adjustable tines support loading for larger cookware. Auto sensing wash adjusts to each load, while quiet performance suits open plan kitchens.

PRODUCTS

Built-in Dishwasher, 60cm, Tall, Stainless Steel
DW24UDT4X4

Not all models are available in all markets

SERIES & STYLE

Series 9
Contemporary

FEATURES

- 1 Tall built-in configuration for under benchtop installation
- 2 Contemporary proud-handle styling with top-of-door controls and internal lighting
- 3 Eight wash cycles, and four modifiers for clean results
- 4 Pitch-adjustable tines adjust from 0.8" to 1.6", plus stemware grippers for glassware
- 5 Cutlery tray and foldable tine section for platters and oven trays
- 6 Auto cycle through sensing supports appropriate wash selection
- 7 24 hour delay start for schedule flexibility
- 8 Quiet 42 dBA performance designed for everyday use in open plan kitchens
- 9 Auto Door Open Dry releases excess steam, while Air Curtain directs it away from surrounding cabinetry
- 10 Energy Star Most Efficient
- 11 Wi-Fi capability and a SmartHQ™ app connectivity for remote control and notifications

The models shown in this Planning Guide may not be available in all markets and are subject to change at any time. Product specifications may vary from those shown. This Planning Guide should not be used as installation guidance for any product. Further information is required to safely and correctly install the products featured here. Specific installation guidance will be available on our website fisherpaykel.com



OVERVIEW

Designed for built in installation, this Series 7 tall dishwasher features a stainless steel handle. Top of door controls with soft black UI keep lines clean. Pitch adjustable tines support loading. Auto sensing wash adjusts to each load, while quiet performance suits open plan kitchens. Includes 24 hour delay start.

PRODUCTS

Built-in Dishwasher, 60cm, Tall, Stainless Steel DW24UDT2X4

Not all models are available in all markets

SERIES & STYLE

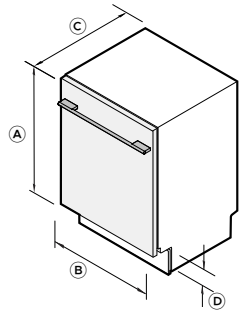
Series 7
Contemporary

FEATURES

- 1 Tall built-in configuration for under benchtop installation
- 2 Contemporary proud-handle styling
- 3 Top of door controls with soft black UI
- 4 Pitch-adjustable tines adjust from 0.8" to 1.6"
- 5 Cutlery tray and foldable tine section for platters and oven trays
- 6 Auto cycle through sensing supports appropriate wash selection
- 7 Auto Door Open Dry releases excess steam, while Air Curtain directs it away from surrounding cabinetry
- 8 24 hour delay start for schedule flexibility
- 9 Quiet performance designed for everyday use in open plan kitchens
- 10 Energy Star Most Efficient
- 11 Wi-Fi enabled and works with the SmartHQ™ app for remote control and notifications

The models shown in this Planning Guide may not be available in all markets and are subject to change at any time. Product specifications may vary from those shown. This Planning Guide should not be used as installation guidance for any product. Further information is required to safely and correctly install the products featured here. Specific installation guidance will be available on our website fisherpaykel.com

PRODUCT DIMENSIONS



ISO VIEW

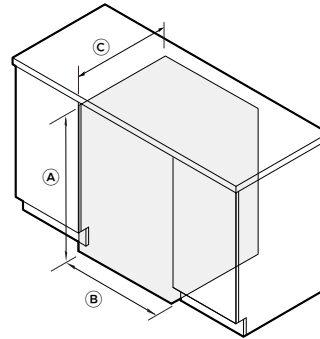
	mm	inch
A Overall height*	857 – 917	33 3/4 - 36 1/8
B Overall width**	598	23 1/2
C Overall depth	580	22 13/16
D Height from bottom of door to floor**	96 - 156	3 3/4 - 6 1/8

* Depending on adjustment of levelling feet

** Excluding side seals

***Supplied with black toe kick but dishwasher supports installation with a custom toe kick

CAVITY DIMENSIONS: STANDARD INSTALLATION



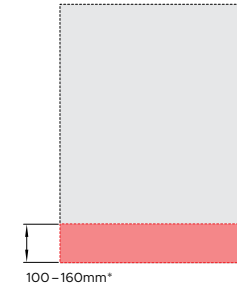
ISO VIEW

	mm	inch
A Overall height*	857 – 917	33 3/4 - 36 1/8
B Overall width	min 600	min 23 5/8
C Overall depth of cavity**	min 580	min 22 13/16

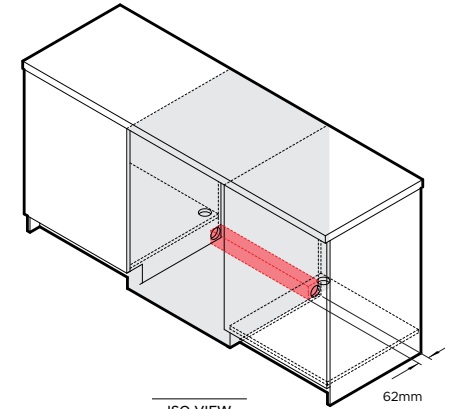
*Depending on adjustment of levelling feet

**Includes front panels

PLUMBING AND ELECTRICAL



REAR VIEW



ISO VIEW

PRODUCT SPECIFICATIONS

Model No.	DW24UDT4X4, DW24UDT2X4
Dimensions	H 33 3/4" - 36 1/8" W 23 1/2" D 22 13/16"
Weight	54 kg
Packaged Weight	62 kg
Packaged dimensions	H 35 1/16" x W 27 9/16" x D 26"
Electrical	
Dedicated Service (A)	10
Rated Power (W)	2400
Supply (Hz)	60
Voltage (V)	120
Connection	Hard wired
Plumbing	
Supply	3/4" (20mm) BSP connector water inlet hose with
Pressure	Min 0.03 Mpa (4.35psi), Max 1 Mpa (145psi)

Service outlet at rear extends both sides, hoses and cords can be routed to either or both sides.

*Depending on adjustment of levelling feet.

The models shown in this Planning Guide may not be available in all markets and are subject to change at any time. Product specifications may vary from those shown. This Planning Guide should not be used as installation guidance for any product. Further information is required to safely and correctly install the products featured here. Specific installation guidance will be available on our website fisherpaykel.com



OVERVIEW

Designed for built in installation, this Series 7 tall dishwasher features a stainless steel handle. Top of door controls with soft black UI keep lines clean. Pitch adjustable tines support loading. Auto sensing wash adjusts to each load, while quiet performance suits open plan kitchens. Includes 24 hour delay start.

PRODUCTS

Built-in Dishwasher, 60cm, Tall
DW24UCT2X4

Not all models are available in all markets

SERIES & STYLE

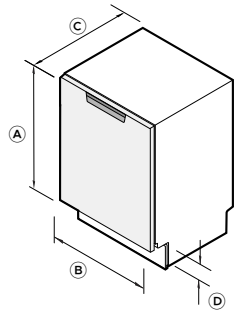
Series 7
Contemporary

FEATURES

- 1 Tall built-in configuration for under benchtop installation
- 2 Contemporary pocket-handle styling
- 3 Top of door controls with soft black UI
- 4 Pitch-adjustable tines adjust from 0.8" to 1.6"
- 5 Cutlery tray and foldable tine section for platters and oven trays
- 6 Auto cycle through sensing supports appropriate wash selection
- 7 Auto Door Open Dry releases excess steam, while Air Curtain directs it away from surrounding cabinetry
- 8 24 hour delay start for schedule flexibility
- 9 Quiet performance designed for everyday use in open plan kitchens
- 10 Energy Star Most Efficient
- 11 Wi-Fi enabled and works with the SmartHQ™ app for remote control and notifications

The models shown in this Planning Guide may not be available in all markets and are subject to change at any time. Product specifications may vary from those shown. This Planning Guide should not be used as installation guidance for any product. Further information is required to safely and correctly install the products featured here. Specific installation guidance will be available on our website fisherpaykel.com

PRODUCT DIMENSIONS



ISO VIEW

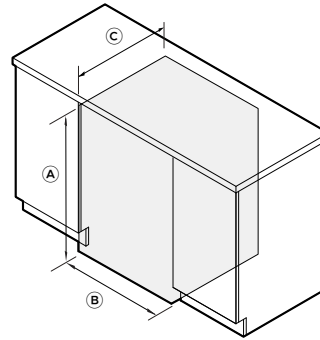
	mm	inch
A Overall height*	857 – 917	33 3/4 - 36 1/8
B Overall width**	598	23 1/2
C Overall depth	580	22 13/16
D Height from bottom of door to floor**	96 - 156	3 3/4 - 6 1/8

* Depending on adjustment of levelling feet

** Excluding side seals

***Supplied with black toe kick but dishwasher supports installation with a custom toe kick

CAVITY DIMENSIONS: STANDARD INSTALLATION



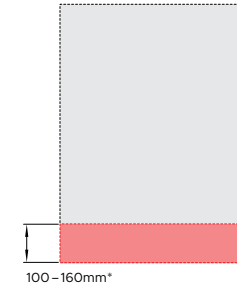
ISO VIEW

	mm	inch
A Overall height*	857 – 917	33 3/4 - 36 1/8
B Overall width	min 600	min 23 5/8
C Overall depth of cavity**	min 580	min 22 13/16

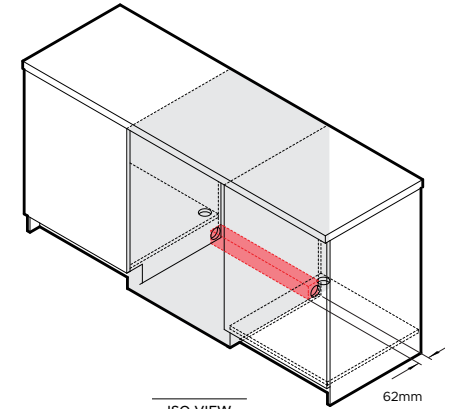
*Depending on adjustment of levelling feet

**Includes front panels

PLUMBING AND ELECTRICAL



REAR VIEW



ISO VIEW

PRODUCT SPECIFICATIONS

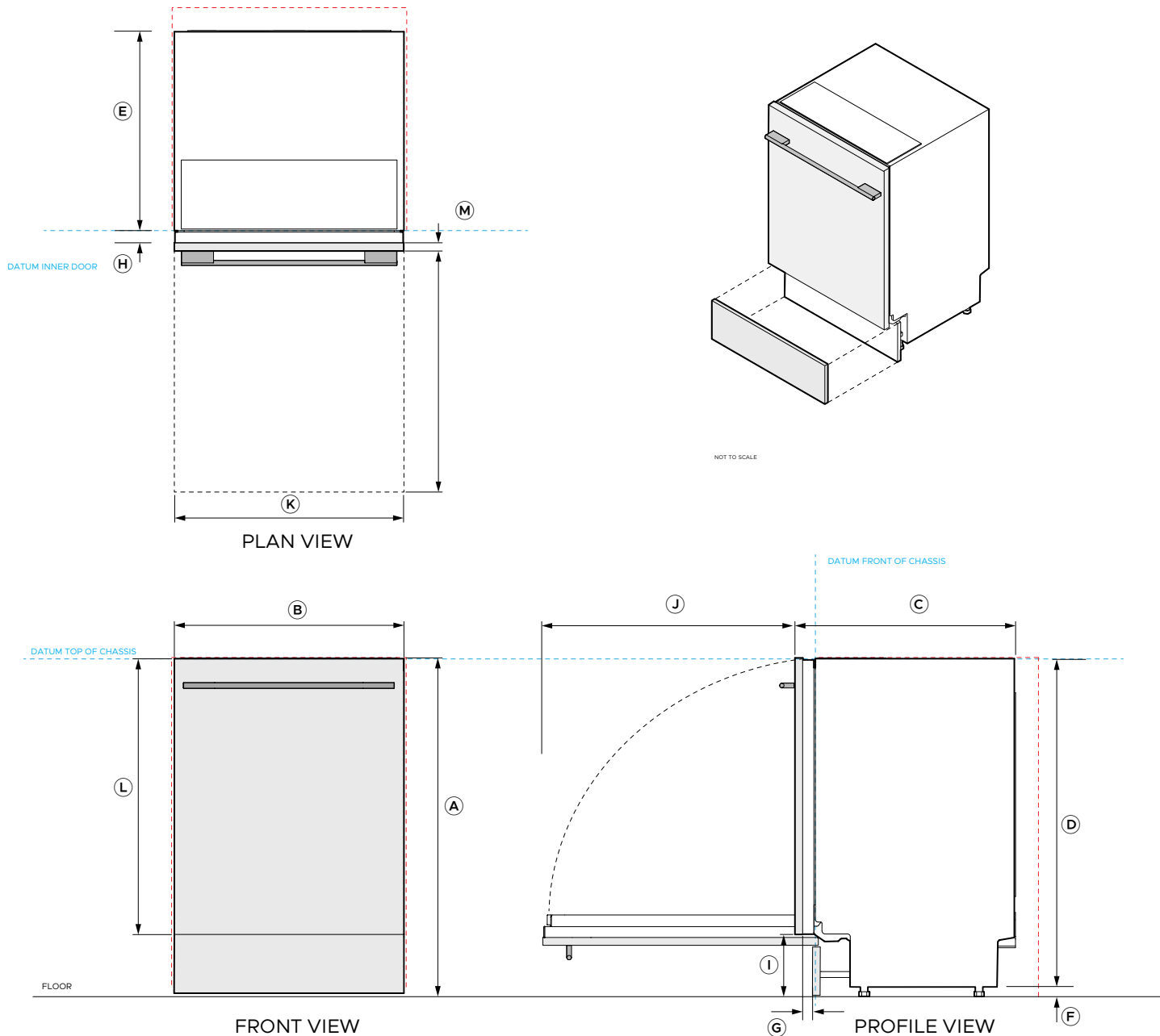
Model No.	DW24UCT4X4
Dimensions	H 33 3/4" - 36 1/8" W 23 1/2" D 22 13/16"
Weight	54 kg
Packaged Weight	62 kg
Packaged dimensions	H 35 1/16" x W 27 9/16" x D 26"
Electrical	
Dedicated Service (A)	10
Rated Power (W)	2400
Supply (Hz)	60
Voltage (V)	120
Connection	Hard wired
Plumbing	
Supply	3/4" (20mm) BSP connector water inlet hose with
Pressure	Min 0.03 Mpa (4.35psi), Max 1 Mpa (145psi)

Service outlet at rear extends both sides, hoses and cords can be routed to either or both sides.

*Depending on adjustment of levelling feet.

The models shown in this Planning Guide may not be available in all markets and are subject to change at any time. Product specifications may vary from those shown. This Planning Guide should not be used as installation guidance for any product. Further information is required to safely and correctly install the products featured here. Specific installation guidance will be available on our website fisherpaykel.com

DATA SHEETS



Model nos:
DW24UDT4X4, DW24UDT2X4

Product Dimensions	mm	inch
A Overall height of product*	857 - 917	33 3/4-36 1/8
B Overall width of product**	598	23 1/2
C Overall depth of product (excl. handle)	580	22 13/16
D Height of chassis	857	33 3/4
E Depth of chassis (excl. inner door)	521	20 1/2
F Height of feet*	0 - 60	0 - 2 3/8
G Depth of toe kick recess	45 - 120	1 3/4 - 4 3/4
H Depth of inner door	28	1 1/8
I Height from bottom of door to floor*	96 - 156	3 25/32 - 6 1/8
J Depth of open door	Min 673	Min 26 1/2
K Width of custom door panel	595	23 7/16
L Height of door panel	714 - 789	28 1/8
M Thickness door panel	20	25/32

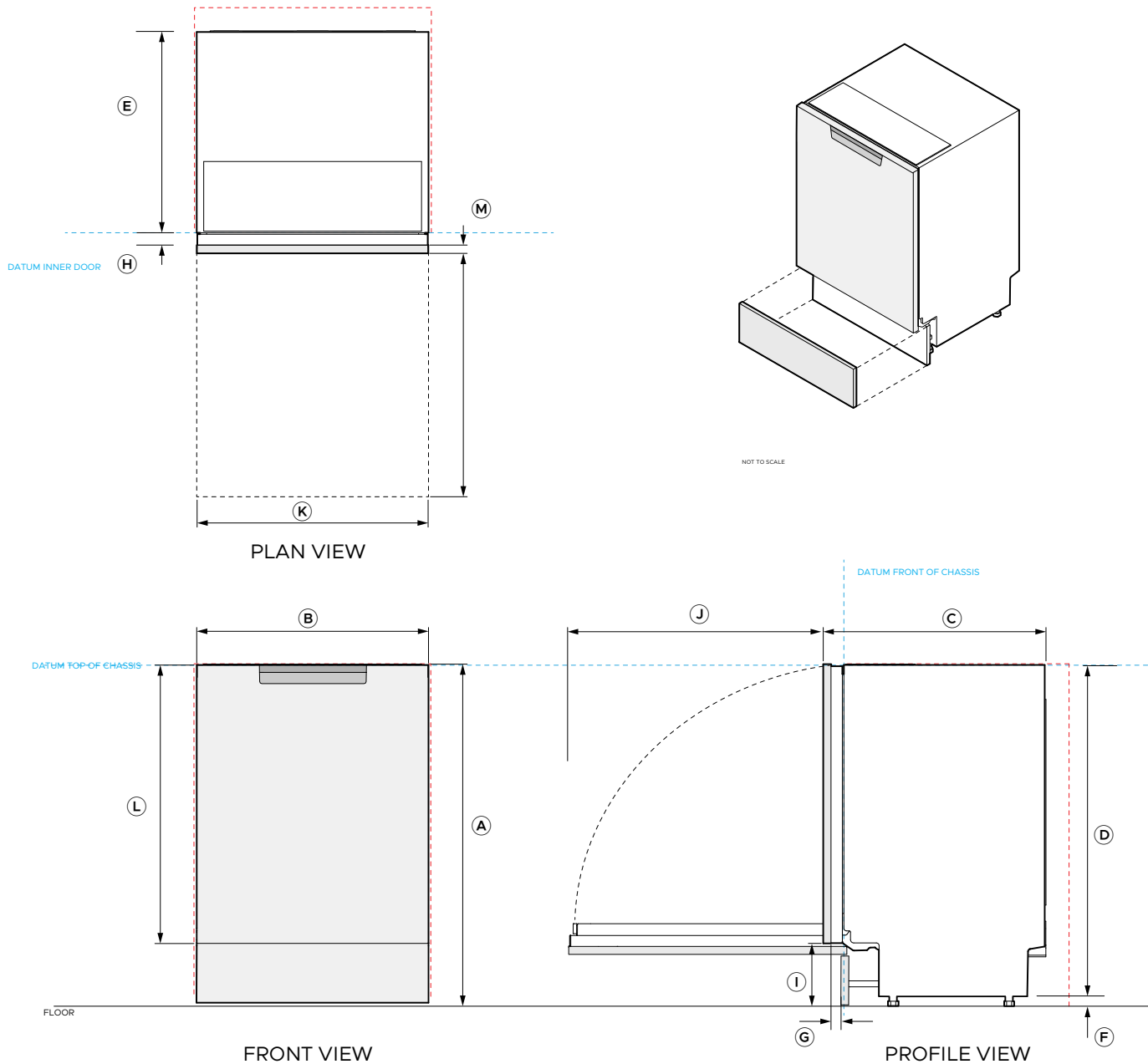
*Depending on adjustment of levelling feet
**Excluding side seals

Minimum Clearances	mm	inch
Inside height of cavity*	857 - 917	33 3/4-36 1/8
Minimum inside width of cavity	600	23 5/8
Minimum overall depth of cavity	580	22 13/16
Minimum clearance to corner cupboard	13	1/2
Height of toe kick area*	96 - 156	3 25/32 - 6 1/8
Minimum clearance to adjacent cupboard door	2	1/16

*Depending on adjustment of levelling feet

PRODUCT DATUM -----
INDICATES CABINETRY CLEARANCES -----

IMPORTANT NOTE: Throughout this guide, dimensions may vary by ±2mm (1/16"). Please read the Installation Guide for detailed information on installing the product. For full installation instructions visit fisherpaykel.com



Model nos:
DW24UCT2X4

Product Dimensions	mm	inch
A Overall height of product*	857 - 917	33 3/4-36 1/8
B Overall width of product**	598	23 1/2
C Overall depth of product	580	22 13/16
D Height of chassis	857	33 3/4
E Depth of chassis (excl. inner door)	521	20 1/2
F Height of feet*	0 - 60	0 - 2 3/8
G Depth of toe kick recess	45 - 120	1 3/4 - 4 3/4
H Depth of inner door	28	1 1/8
I Height from bottom of door to floor*	96 - 156	3 25/32 - 6 1/8
J Depth of open door	Min 673	Min 26 1/2
K Width of custom door panel	595	23 7/16
L Height of door panel	714 - 789	28 1/8
M Thickness door panel	20	25/32

*Depending on adjustment of levelling feet
**Excluding side seals

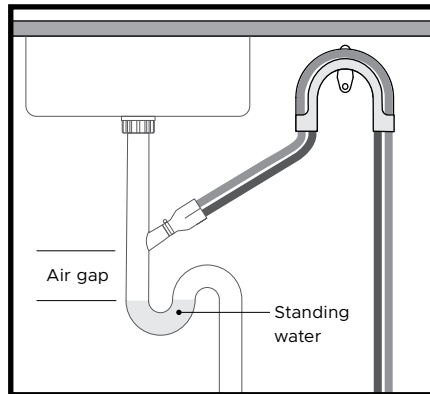
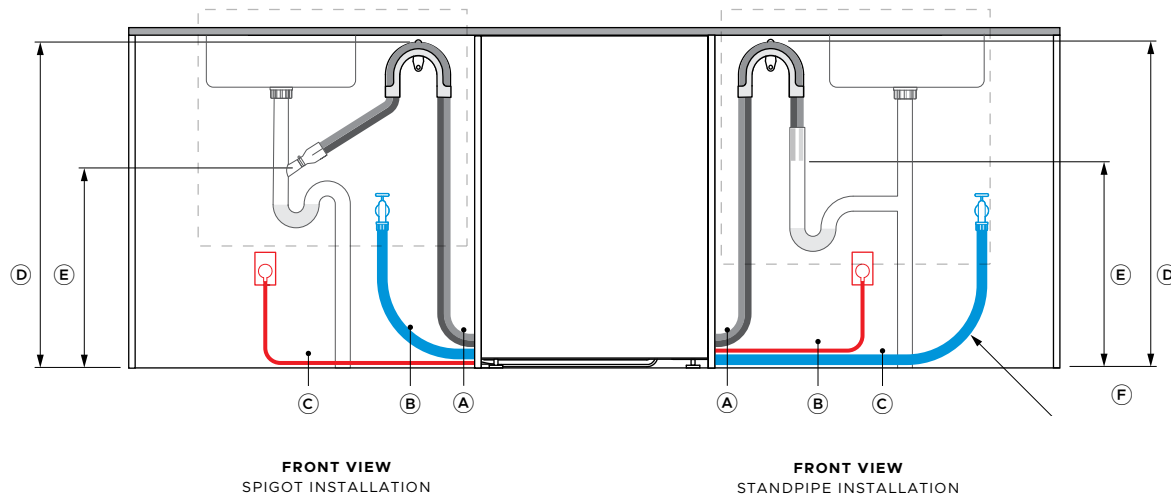
Minimum Clearances	mm	inch
Inside height of cavity*	857 - 917	33 3/4-36 1/8
Minimum inside width of cavity	600	23 5/8
Minimum overall depth of cavity	580	22 13/16
Minimum clearance to corner cupboard	13	1/2
Height of toe kick area*	96 - 156	3 25/32 - 6 1/8
Minimum clearance to adjacent cupboard door	2	1/16

*Depending on adjustment of levelling feet

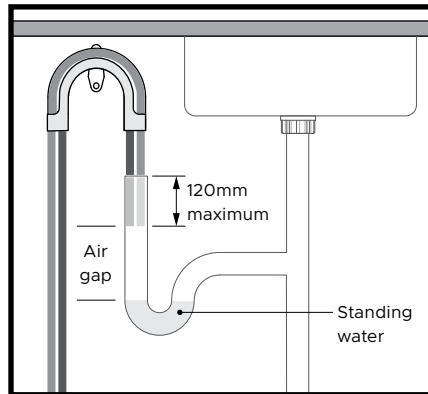
PRODUCT DATUM -----
INDICATES CABINETRY CLEARANCES -----

IMPORTANT NOTE: Throughout this guide, dimensions may vary by ±2mm (1/16"). Please read the Installation Guide for detailed information on installing the product. For full installation instructions visit fisherpaykel.com

SERVICES



DETAIL VIEW
SPIGOT INSTALLATION



DETAIL VIEW
STANDPIPE INSTALLATION

SERVICE REQUIREMENTS

Services can be routed to the left or right.

All connections, electrical and plumbing, MUST be made in adjacent cabinets.

Ensure electrical connections comply with all local standards.

SERVICE DIMENSIONS	LEFT SIDE	LEFT SIDE
	mm	inch
A Length of drain hose	1980	77 15/16
B Length of power cord*	950	37 3/8
C Length of inlet hose	1450	57 1/16
D Distance from floor to top of hose support	750 - 883	29 1/2 - 34 3/4
E Distance from floor to end of drain hoses**	min 500	min 19 11/16
F Inlet hose radius	min 200	min 7 7/8

SERVICE DIMENSIONS	RIGHT SIDE	RIGHT SIDE
	mm	inch
A Length of drain hose	1650	64 15/16
B Length of power cord*	1450	57 1/16
C Length of inlet hose	1300	51 3/16
D Distance from floor to top of hose support	750 - 883	29 1/2 - 34 3/4
E Distance from floor to end of drain hoses**	min 500	min 19 11/16
F Inlet hose radius	min 200	min 7 7/8

* Excluding plug

** Standpipe and spigot installation

The models shown in this Planning Guide may not be available in all markets and are subject to change at any time. Product specifications may vary from those shown. This Planning Guide should not be used as installation guidance for any product. Further information is required to safely and correctly install the products featured here. Specific installation guidance will be available with the product on delivery and on our website fisherpaykel.com

