

# **FISHER & PAYKEL**

## **MODULAR COOKTOP**

---

**FLUSH AND PROUD INSTALLATION**

**SINGLE PRODUCT WITH OVERHEAD VENTILATION**

CG301DLPGB5, CG301DTGGB5, CG301DLPGG5, CG301DTGGG5,  
CG391DLPGB5, CG391DTGGB5, CG391DLPGG5, CG391DTGGG5

**INSTALLATION GUIDE**

**SG**

### ⚠ WARNING!



#### **Electric Shock Hazard**

**Failure to follow this advice may result in electric shock or death.**

- Before carrying out any work on the electrical section of the appliance, it must be disconnected from the mains electricity supply.
- Connection to a good earth wiring system is absolutely essential and mandatory.
- Alterations to the domestic wiring system must only be made by a qualified electrician.

### ⚠ WARNING!



#### **Cut Hazard**

**Failure to use caution could result in injury.**

- Take care - panel edges are sharp.

## READ AND SAVE THIS GUIDE

To reduce the risk of fire, injury to persons or damage when using the appliance, follow the important safety instructions listed below. Read all the guidance before using the appliance. Ensure your appliance is properly installed and grounded by a qualified technician.

- Particular attention shall be given to the relevant requirements regarding ventilation.
- Read these instructions carefully before installing this product.
- Please make this information available to the person installing the appliance as it could reduce your installation costs.
- This appliance is to be installed and serviced only by an authorised person.
- Installation must comply with your local building and local gas authority codes and electricity regulations.
- Incorrect installation, for which the manufacturer accepts no responsibility, may cause personal injury or damage and could invalidate any warranty or liability claims.
- Appliances are either factory set for Town gas or LPG. If in doubt, refer to the local gas network operator or gas supplier to confirm gas type at installation site.
- Do not modify this appliance.
- Do not use or store flammable materials on or near this appliance.
- Do not spray aerosols in the vicinity of this appliance while it is in operation.
- Packing elements (eg plastic bags, polystyrene foam, staples, packing straps etc) and tools should not be left around during and after installation, especially if they

## SAFETY AND WARNINGS

---

- are within easy reach of children, as these may cause serious injuries.
- You must remove the transit screws before installing the cooktop. See step 8 of installation instructions.
- Check the regulator for a valid safety mark. Replace the regulator if the safety mark is not found.
- Check the expiry date of the regulator. Replace the regulator if it has expired.
- Perform visual inspection to the regulator to identify any signs of wear and tear or deterioration. Replace the regulator if there is damage to indicate possible failure.
- Check the flexible rubber tubing (not supplied) for a valid safety mark and expiry date. Replace the rubber tubing if the safety mark and/or expiry date are not visible.
- Perform visual inspection along the entire length and on all sides of the rubber tubing. Identify any signs of wear and tear or deterioration. Replace the rubber tubing if any material degradation is detected.
- For cylinder (not supplied), ensure that the cylinder are stored upright. Storing or using the cylinders, tilted or sideways is unsafe.
- Check the fit of the hose clamp (not supplied with the product) on the flexible rubber tubing. The hose clamp shall be in close contact with the flexible rubber tubing for its entire circumference.
- Perform visual inspection for indents or cuts on the flexible rubber tubing as these indicate that the hose clamp is too tight. Adjust the tension on the hose clamp to prevent over tightening.
- Check that an appropriate gasket is placed between connections. With parallel threads, do not use sealing tape.
- Check the tension on the flexible rubber tubing prior to reinstating the cylinder to the cabinet. Ensure that the placement of the cylinder does not add unnecessary tension to the connections or flexible rubber tubing. Once installed, check that the flexible rubber tubing is not bent at an acute angle and that there are no kinks in the flexible tubing.
- Brief the end-user on safety measures and precautions, including any upcoming expiry dates of replaceable components. Obtain the end-user's acknowledgment of their safety awareness after the briefing.

## COMPONENTS REQUIRED

---

### Supplied

- |                          |  |                          |  |
|--------------------------|--|--------------------------|--|
| <input type="checkbox"/> | Shims (6)                                | <input type="checkbox"/> | Town Gas models: Gas regulator (1)         |
| <input type="checkbox"/> | T spacer (2)                             | <input type="checkbox"/> | Gas elbow (1)                              |
| <input type="checkbox"/> | Securing brackets (4)                    | <input type="checkbox"/> | Gas seal washer (2)                        |
| <input type="checkbox"/> | Clamp screws (4)<br>Two lengths supplied | <input type="checkbox"/> | Trviet (quantity varies)                   |
| <input type="checkbox"/> | Joiner kit (1)                           | <input type="checkbox"/> | LPG Models: Elbow connection<br>nozzle (1) |
| <input type="checkbox"/> | Foam sealing tape (1)                    |                          |  |

### Not supplied

- |                          |                      |                          |   |
|--------------------------|----------------------|--------------------------|---|
| <input type="checkbox"/> | Silicone gun         | <input type="checkbox"/> | Black installations:<br>Black, matte finish silicone rated to<br>100°C or above** |
| <input type="checkbox"/> | Phillips screwdriver |                          |   |
| <input type="checkbox"/> | Level                | <input type="checkbox"/> | Grey installations:<br>Grey, matte finish silicone rated to<br>100°C or above***  |
| <input type="checkbox"/> | Box cutter           |                          |   |
| <input type="checkbox"/> | Router               |                          |   |
| <input type="checkbox"/> | Hex key              |                          |   |
| <input type="checkbox"/> | Spanner              |                          |   |
| <input type="checkbox"/> | Masking tape         |                          |   |

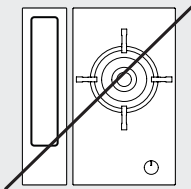
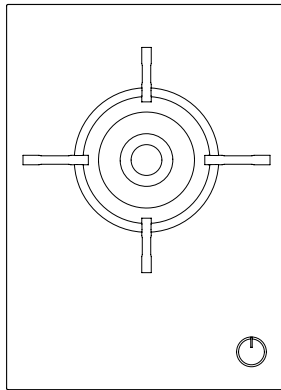
## ACCESSING YOUR PRODUCT SPECIFICATIONS

---



For full product, cabinetry and service specifications, refer to the Planning Guide. To access the Planning Guide, scan the QR code or visit [fisherpaykel.com/specify](https://fisherpaykel.com/specify). Search by appliance type, product name or model code.

---



### IMPORTANT NOTE

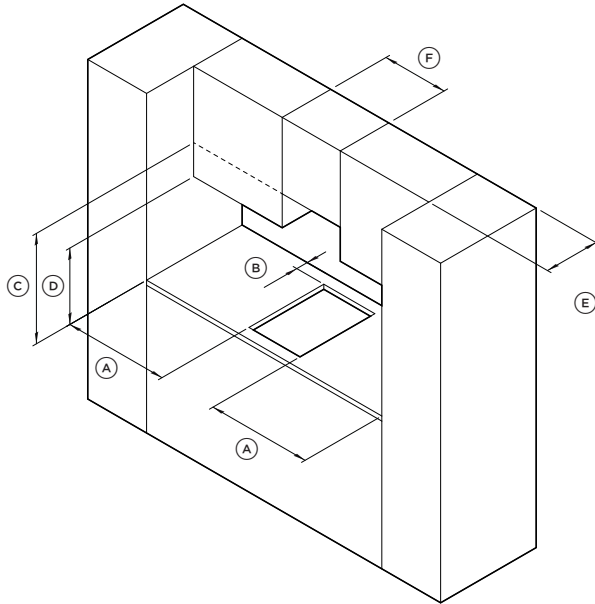
---

Modular Ventilation cannot be used alongside a gas cooktop. Refer to the planning guide for more information.

# CHECK CLEARANCES

## IMPORTANT NOTE

Gas on Glass modules have greater clearance requirements compared to Induction and Tepanyaki modules. For multi-product installations ensure clearances are achieved for the product with the greater clearance requirements.



CABINERY CLEARANCE DIMENSIONS	GAS COOKTOPS
	MM
(A) Minimum clearance from the centre burner to the nearest combustible surface	200
(B) Minimum clearance from centre burner to nearest combustible surface	200
(C) Minimum clearance from benchtop to: Overhead cabinet centered above the cooktop (non combustible) Rangehood or downward facing combustible surface Overhead exhaust fan	500 610 750
(D) Minimum clearance from countertop to overhead cabinet not directly above cooktop	650
(E) Maximum depth of overhead cabinetry	400
(F) Minimum distance between overhead cabinets (not centered above cooktop)	combined cooktop width

# CHECK CLEARANCES

## VENTILATION OVERVIEW

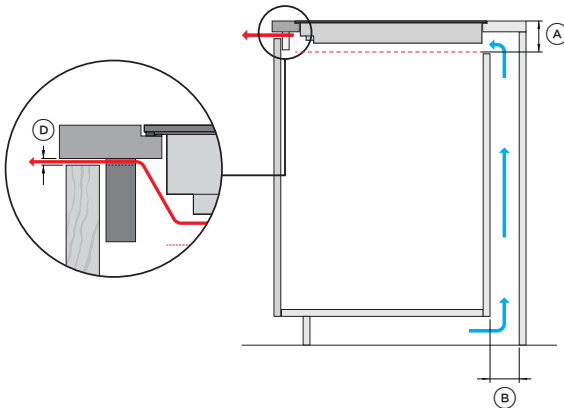
The Induction and Teppanyaki modules require ventilation to allow cooling of the electronic components within the chassis. When multiple products are installed their individual ventilation requirements must also be combined.

For detailed ventilation guidance, refer to the planning guide.

### VENTILATION OPTION 1

#### INTAKE VIA SERVICE CHANNEL

Air is drawn up from the kick cavity through service channel at rear of cabinetry. If cavities are sealed, ventilation holes in toe kick panel are required.



CLEARANCE REQUIREMENTS	mm
Ⓐ Clearance below chassis from top of cook surface	
- Induction	72
- Teppanyaki	86
- Gas on Glass	76

#### VENTILATION REQUIREMENTS

INTAKE at rear	mm	cm <sup>2</sup>
Ⓑ via service channel, min depth	20	-
Ⓒ through adjacent cabinets, per side wall*	2x Ø50	40

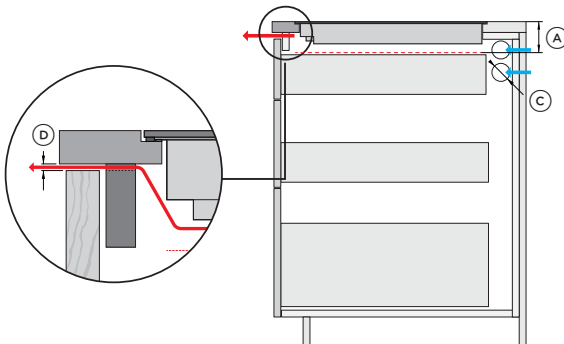
OUTLET at front*	w x h	cm <sup>2</sup>
Ⓓ 4mm gap along width of chassis		
30cm cook module	255 x 4	10
39cm cook module	340 x 4	14
60cm cook module	555 x 4	22
76cm cook module	715 x 4	30
90cm cook module	855 x 4	34

\* vents with equivalent-sized area possible. Must be positioned in front of product.

### VENTILATION OPTION 2

#### INTAKE VIA ADJACENT CABINETS

2x Ø50 holes are required in each side wall through to adjacent cabinets. Total of 4x holes required.



## PRIOR TO INSTALLATION

---

- Ensure that there is good ventilation in the area before starting the installation process
- Remove any combustible material from the immediate area, where possible
- Check that the cooking products and other connected accessories have the appropriate safety marks.
- Check that the nozzle and gasket supplied fit correctly.



[fisherpaykel.com/specify](https://fisherpaykel.com/specify)

1. Ensure cabinetry and servicing specifications have been met and clearances have been considered.

Refer to the Planning Guide for details.



2. Ensure all products and accessories are present.

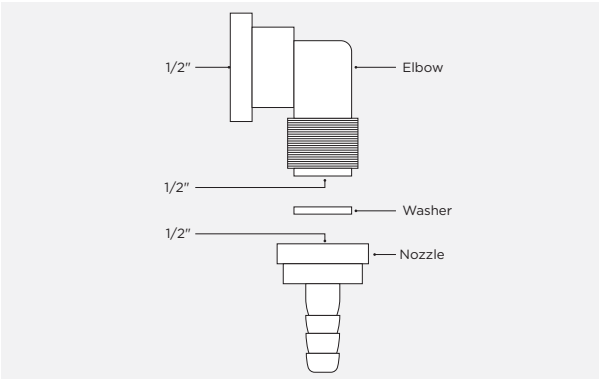
3. Carefully remove products from cartons. Set aside on a protected surface.

Dispose of packaging responsibly.

## PREPARE COOKTOP

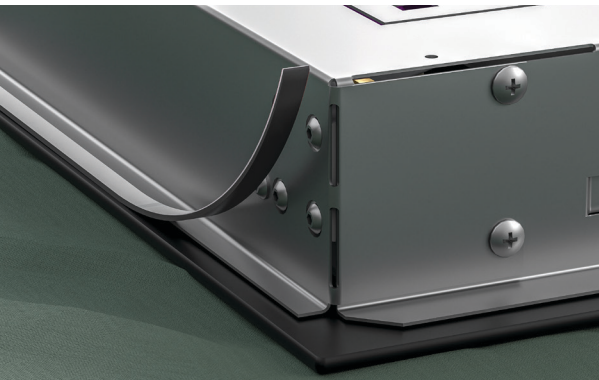


1. Fit the elbow and washer to the floating nut.



### 2. LPG Models Only:

Fit the nozzle and washer to the elbow. Fit LPG hose to the nozzle. Please ensure connections are gas tight after assembly with hose.



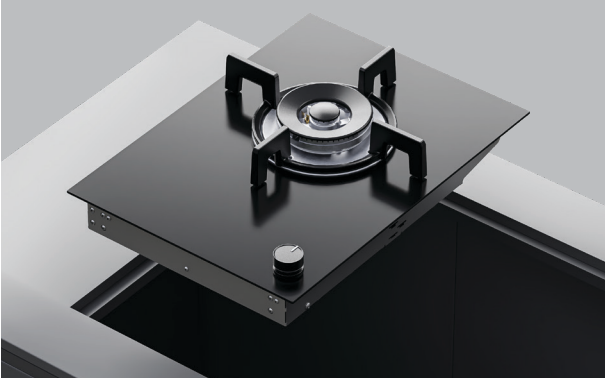
3. Turn the cooktop over carefully and place onto a protected surface. z Apply adhesive foam seal around the glass overhang, 5mm from the edge of the glass.

Ensure the adhesive side is facing down to form a continuous seal.

Trim any excess seal using a sharp knife taking care not to damage the cooktop or surface.

## INSTALL IN CUTOUT

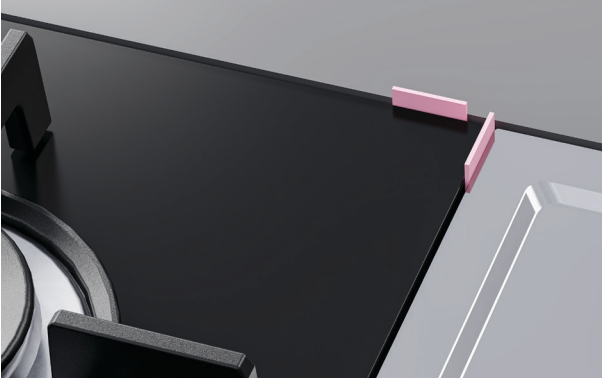
---



1. Remove foam tape backing before gently lowering the product into the cutout.

## ALIGN PRODUCTS

---



### 1. Flush installations:

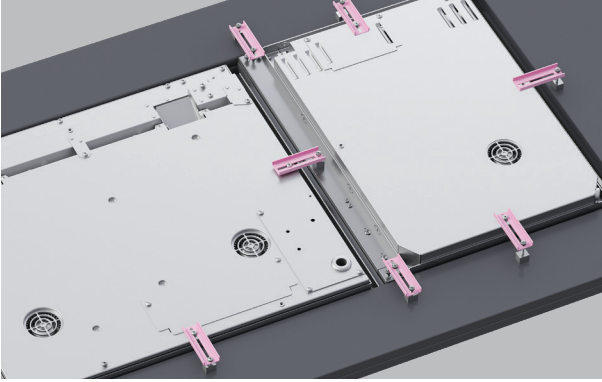
Place the shims around the outer edges of the cutout. Adjust positioning to ensure even spacing around the product is achieved.



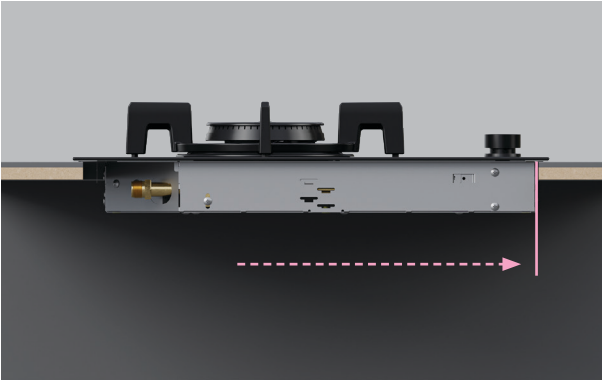
2. Place the shims on top of the product to gauge what thickness is required to create a level installation.

Slot the shims under the product flanges to raise as needed.

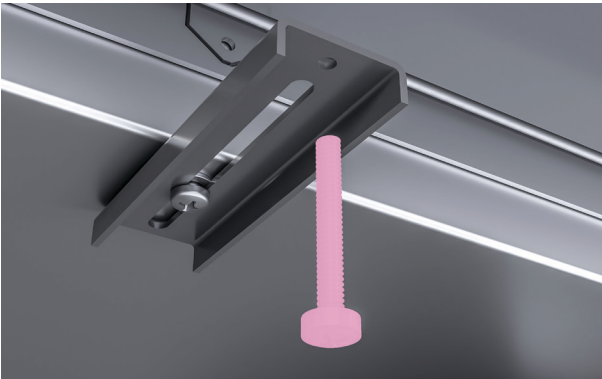
## SECURE TO CUTOUT



1. Fit the securing brackets to the base of the product. For benchtops thinner than 25mm, use the longer clamp screws. A minimum of two brackets per cooktop is recommended.



2. Ensure product is installed towards the front edge of the cutout.



3. Tighten all clamp screws to secure the cooktop to the cutout.  
**Do not over tighten clamp screws. Screws should only make light contact with cutout and joiner strips.**

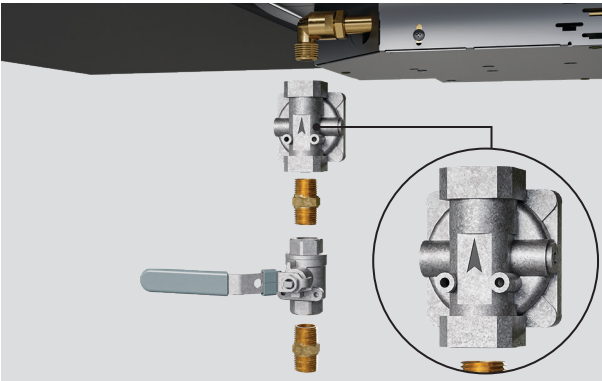
## CONNECT GAS SUPPLY

---

Check the safety and warnings section of this guide for gas regulations, requirements and important information before connecting.



1. Fittings must be connected by an authorized technician and comply with local regulations.



2. Ensure that the regulator arrow points towards the cooktop's inlet pipe, away from the gas supply. Use threading compound on male threads only.



3. Connection: 1/2" BSP female.

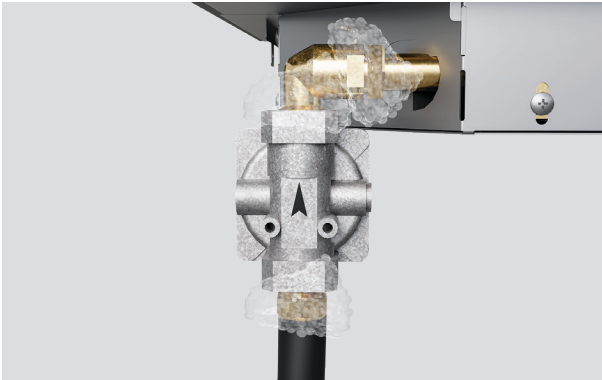
**Regulated Cooktop's Operating Pressure:**

- TG: 0.8 kPa

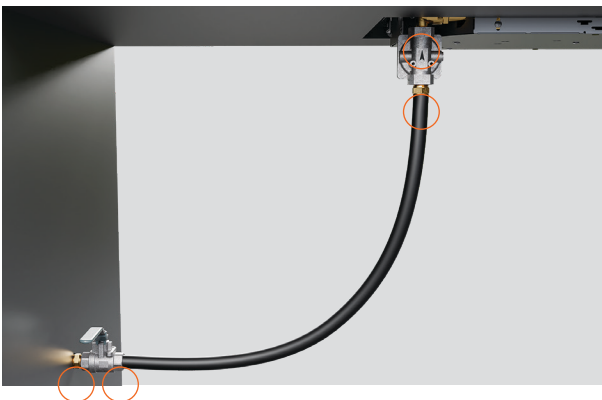
## LEAK TEST



1. Turn all dials to the **OFF** position before opening the valve on the gas supply.



2. Apply a soap solution of 1:1 liquid soap and water to all connections, hoses and fittings from the supply to the connection at the cooktop.



3. If a leak is present, immediately turn off the gas supply, tighten any leaking connections and re-check. If connections continue to leak, try replacing them in case they have become defective or cracked.

If you cannot stop a gas leak, turn off the gas supply and call your local gas utility, or the dealer you purchased the appliance from.

Soap bubbles will appear where gas is escaping.

Refer to SS 699 for details.

## FIT BURNER AND TRIVETS



1. Ensure all burner parts are correctly fitted.  
Flames should burn blue, without yellow tips or fluttering around the burner cap.



2. Place the trivet into the burner skirt recesses, ensuring it is securely positioned. Check that the trivet is level. If necessary, adjust the height of its feet.

For optimal performance, ensure the size of the cookware is suitable for the burner in use.

BURNER		MIN. DIAMETER	MAX. DIAMETER
		MM	MM
Dual wok	Pan without small pan support*	200	340
	Wok with wok stand	240	400

\*Smaller pans may be used if pan support accessory is used.

Note: measurements provided from base of pan

## CONNECT POWER

---

Before connecting to the mains power supply check that:

- The domestic wiring system is suitable for the power drawn by the cooktop.
- The voltage corresponds to the value given on the rating plate.
- The power supply cable sections can withstand the load specified on the rating plate.



[fisherpaykel.com/specify](https://fisherpaykel.com/specify)

Refer to the Planning Guide for full service information.

---

### RATING PLATE LOCATIONS

---

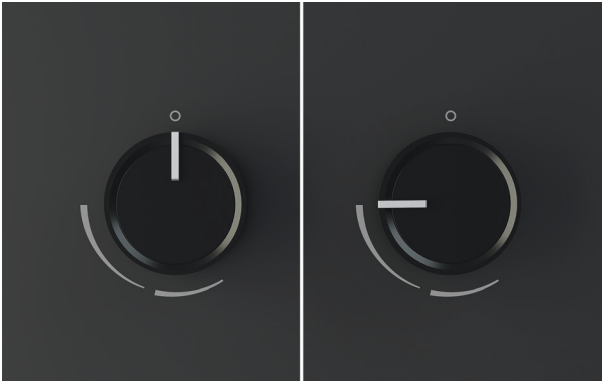


Right rear of product

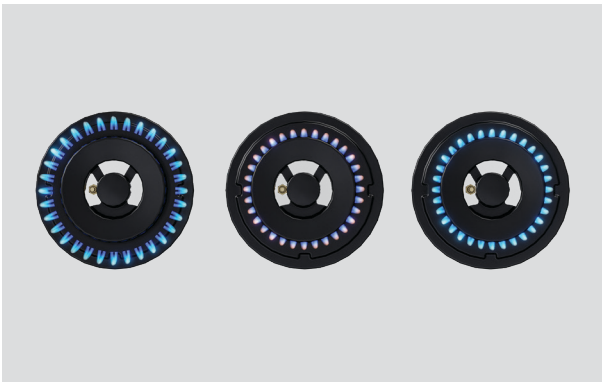
These models are supplied with a power cable. The power cable should only be removed or replaced by a Fisher & Paykel trained and supported service technician or qualified person.

## CHECK GAS BURNERS

---

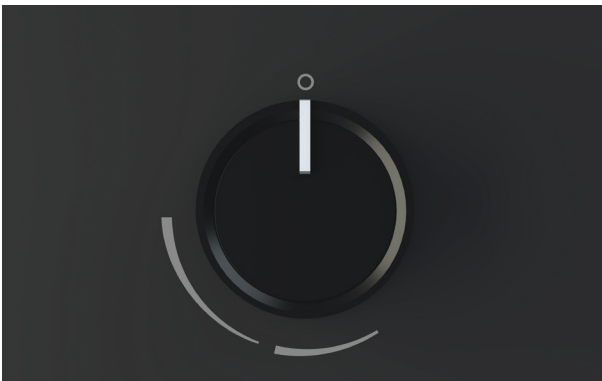


1. Push the dial down and turn counterclockwise to the highest heat setting. Wait until the burner ignites before adjusting to the desired heat setting.



2. Check flames are blue and stable. A yellow flame indicates insufficient air. A noisy flame that lifts away from the burner indicates too much air.

If any abnormality is evident, check that the burner assembly is located properly. Refer to page 21.

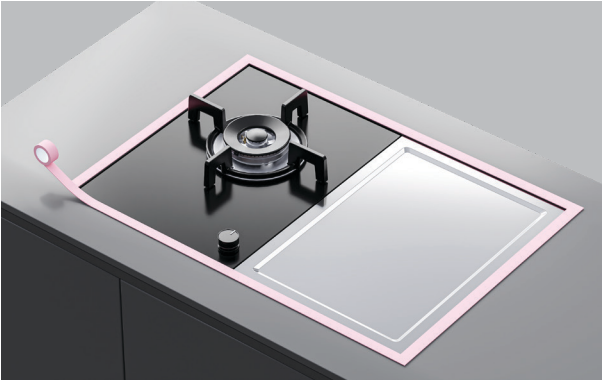


3. Turn all dials to the **OFF** position when done.

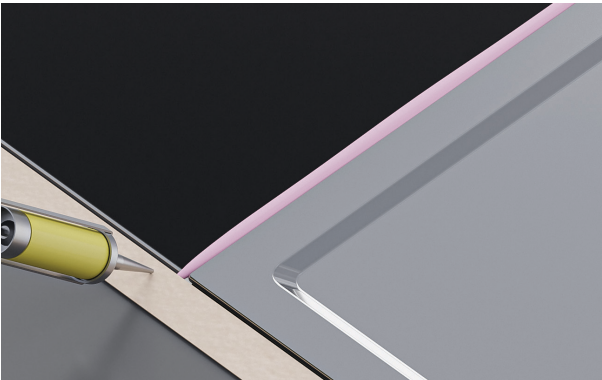
## SEAL PRODUCT INTO CAVITY

---

Some silicone products may cause discolouration of the glass, in most cases this will fade as the silicone cures. Avoid applying too much silicon during installation.



**1. Mask the area to be siliconed** ensuring the product and countertop are protected.



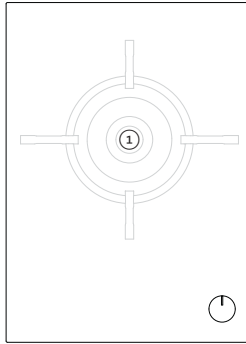
**2. Flush installations only:**

Carefully apply silicone in the gaps **between the countertop and product**.

Wipe away any excess silicone and remove mask once silicone has dried.

## GAS RATE SUMMARY

---



BURNER	GAS TYPE	JET SIZE (MM)	NOMINAL RATING
① Dual wok	TG 0.8 kPa	2.5	4.5 kW
		2.5	
		1.3	
	LPG 2.9 kPa*	0.69	328 g/hour
		0.69	
		0.5	

\*Nominal pressure with at least one large burner on high

# INSTALLER CHECKLIST

---

## TO BE COMPLETED BY THE INSTALLER

### GENERAL

- Specified clearances have been maintained.
- Products are level - front to back and side to side.
- All packaging materials have been removed.
- There is constant flow of cool air from the cabinetry to the base of the products.
- Products have all been securely clamped.
- Communication cables are routed away from cooktop exhausts, secured to cabinetry and are unobstructed by drawers or other objects.
- Module layout configuration has been checked and confirmed.
- Touch controls and displays are functioning.

### ELECTRICAL

- Receptacle with correctly rated over-current protection is provided for service cord connection.
- Adequate ground connection established.
- Domestic wiring is suitable for total cooktop rating.
- Power supply cable is accessible and is not touching the products.

### GAS

- Manual gas shut-off valve installed in an accessible location.
- Unit tested and free of gas leaks.

**FISHERPAYKEL.COM**

© Fisher & Paykel Appliances 2025. All rights reserved.

The models shown in this guide may not be available in all markets  
and are subject to change at any time.

The product specifications in this guide apply to the specific products and  
models described at the date of issue. Under our policy of continuous product  
improvement, these specifications may change at any time.

For current details about model and specification availability in your country,  
please go to our website or contact your local Fisher & Paykel dealer.

**432927A 06.25**