

ACCESSORY HANDLES AND DIALS

PLANNING GUIDE

MINIMAL | Handles

CONTEMPORARY | Handles

PROFESSIONAL | Handles and Dials

CONTENTS | ACCESSORY HANDLES AND DIALS

INTRODUCTION

This comprehensive planning guide provides you with the framework and tools to achieve your desired design outcome with Fisher & Paykel appliances. In this guide, you will find a range of conceptual, detailed, and dimensional product information to bring your ideas to life and create spaces that truly reflect your vision.

SUPPORT

For additional design planning and installation support please contact the Fisher & Paykel design support team.
designsupport@fisherpaykel.com

NOTES

The models shown in this Planning Guide may not be available in all markets and are subject to change at any time. Refer to our website fisherpaykel.com for the latest document version. Product specifications may vary from those shown.
 This Planning Guide should not be used as installation guidance for any product. Specific installation guidance will be available with the product on delivery and on our website.

CONCEPT DESIGN

PAGE

DESIGN CHOICE

Accessory Compatibility	4
Accessory Availability	5

DEVELOPED AND DETAILED DESIGN

PAGE

COOKING

Model Codes - Ovens, Companions, Cooktops and Rangetops	7
Model Codes - Ranges	8
Data Sheet - Handles and Dials	9

DISHWASHING

Model Codes - Dishwashing	11
Data Sheet	12

DEVELOPED AND DETAILED DESIGN

PAGE

COOLING

Model Codes - Single Door and Double Door	14
Model Codes - Triple Door, Undercounter and Cooldrawer™	15
Data Sheet - Single Door Handles	16
Data Sheet - Double Door Handle Kits 84"	17
Data Sheet - Double Door Handle Kits 84"	18
Data Sheet - Double Door Handle Kits 84"	19
Data Sheet - Double Door Handle Kits 79 15/16"	20
Data Sheet - Double Door Handle Kits 69 3/4"	21
Data Sheet - Triple Door Handle Kits 84"	22
Data Sheet - Triple Door Handle Kits 70 13/16"	23
Data Sheet - Triple Door Handle Kits 70 13/16"	24
Data Sheet - Undercounter	25
Data Sheet - Cooldrawer™	26

DESIGN CHOICE

ACCESSORY COMPATIBILITY

This overview outlines compatible product combinations based on available handle and dial accessories. Products without handles or dials can also be added to the combinations. See individual product pages on fisherpaykel.com for full product details.

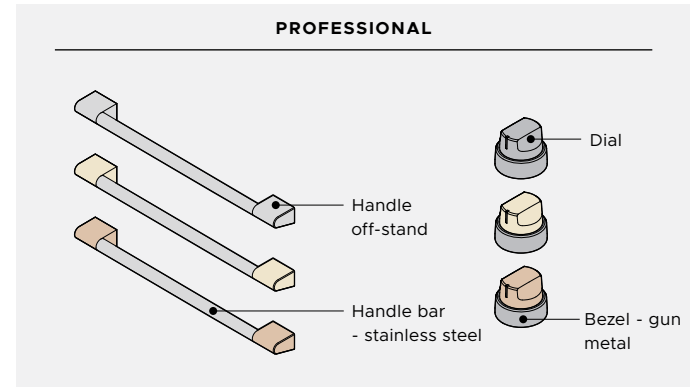
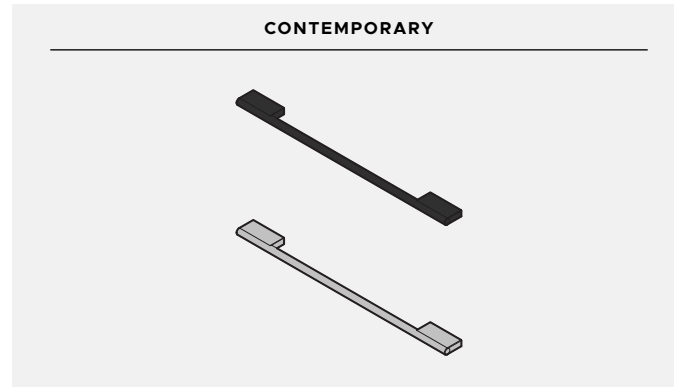
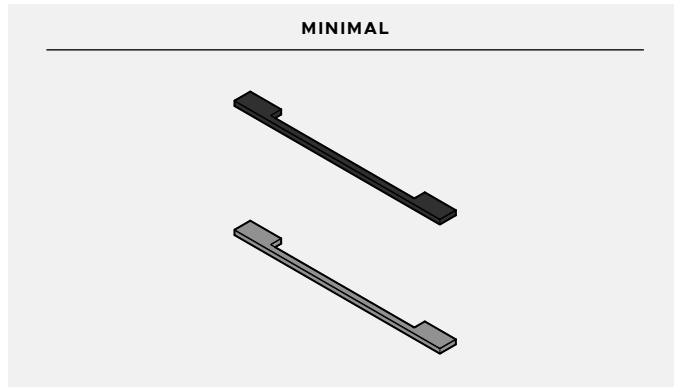
✓ = Handle/dial accessories available to match with Cooking, Dishwashing and Cooling products.

○ = Supplied with the product as standard.

		COOKING					DISHWASHING		COOLING	
		30" Ovens & Companions	24" Ovens & Companions	Cooktops	Rangetops	Ranges	Integrated	Built In	Integrated	Freestanding
MINIMAL HANDLES	● Black	○	○	-	-	-	✓	-	✓	-
	● Grey	○	○	-	-	-	✓	-	-	-
CONTEMPORARY HANDLES	● Black	○	○	-	-	-	✓	-	-	-
	● Silver	○	○	-	-	-	✓	○	✓	○
PROFESSIONAL HANDLES	● Stainless Steel	○	-	-	-	○	✓	○	✓	○
	● Brass	✓	-	-	-	✓	✓	-	✓	-
	● Dark Cooper	✓	-	-	-	✓	✓	-	✓	-
PROFESSIONAL DIALS AND BEZELS	● Brass	-	-	✓	✓	✓	-	-	-	-
	● Dark Cooper	-	-	✓	✓	✓	-	-	-	-
	● Gun Metal*	-	-	○	○	○	-	-	-	-

*Dials are supplied in gun metal as standard; other finishes are available for separate purchase. Bezels are fixed to the product and are supplied in gunmetal.

The models shown in this Planning Guide may not be available in all markets and are subject to change at any time. Product specifications may vary from those shown. This Planning Guide should not be used as installation guidance for any product. Further information is required to safely and correctly install the products featured here. Specific installation guidance will be available with the product on delivery and on our website fisherpaykel.com



● Black ● Grey

● Black ● Silver

● Stainless Steel ● Brass ● Dark Copper ● Gun Metal

Handles are supplied in stainless steel and dials are supplied in gun metal as standard; other finishes are available for separate purchase. Bezels are fixed to the product and are supplied in gun metal.

Accessory = Purchase accessory online for integrated products, replacing supplied handles/dials or for cabinetry panels.
Supplied = Supplied with the product as standard.

ACCESSORY AVAILABILITY

	30" OVENS & COMPANIONS	COOKTOPS	RANGETOPS	RANGES	INTEGRATED DISHWASHING	INTEGRATED REFRIGERATION
MINIMAL						
Square handle	-	-	-	-	● ● Accessory	● Accessory
CONTEMPORARY						
Round handle	-	-	-	-	● ● Accessory	● Accessory
PROFESSIONAL						
Handle	● Supplied ● ● Accessory	-	-	● Supplied ● ● Accessory	● ● ● Accessory	● ● ● Accessory
Dial	-	● Supplied ● ● Accessory	● Supplied ● ● Accessory	● Supplied ● ● Accessory	-	-
Bezel	-	-	● Supplied	● Supplied	-	-

The models shown in this Planning Guide may not be available in all markets and are subject to change at any time. Product specifications may vary from those shown. This Planning Guide should not be used as installation guidance for any product. Further information is required to safely and correctly install the products featured here. Specific installation guidance will be available with the product on delivery and on our website fisherpaykel.com

COOKING

OVENS AND COMPANIONS



COOKTOPS

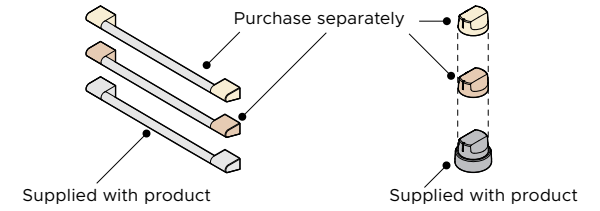


RANGETOPS



PROFESSIONAL HANDLES/DIALS

Supplied with product:
Handle bar and off-stand: ● Stainless steel
Dial and bezel: ● Gun metal
Alternative colour finishes/accessories do not include bezel replacement.



PRODUCT	HANDLE	DIAL
OVENS & COMPANIONS		
30" (760MM) WIDTH		
OB30SPPUX3, OB30SPPTX3, OB30SPPSUX3, OS30SPUX3, OS30NPUX3, OM30NPUX3, OM30NPTX3, WB30SPEX3, VB30SPEX3	AHP3OBWBVB30BA ● AHP3OBWBVB30DC ●	- -

COOKTOPS

36" (910MM) WIDTH - 5 DIALS		
CDV3-365H-N, CDV3-365H-L	- -	ADLP3CD365BA ● ADLP3CD365DC ●

RANGETOPS

48" (1216MM) WIDTH - 8 DIALS		
CPV3-488-N, CPV3-488-L	- -	ADLP3CP488BA ● ADLP3CP488DC ●
48" (1216MM) WIDTH - 7 DIALS		
CPV3-486GD-N, CPV3-486GD-L	- -	ADLP3CP486BA ● ADLP3CP486DC ●
48" (1216MM) WIDTH - 6 DIALS		
CPV3-485GD-N, CPV3-485GD-L	- -	ADLP3CP485BA ● ADLP3CP485DC ●
36" (910MM) WIDTH - 6 DIALS		
CPV3-366-N, CPV3-366-L	- -	ADLP3CP366BA ● ADLP3CP366DC ●

PROFESSIONAL: ● = Brass ● = Dark Copper

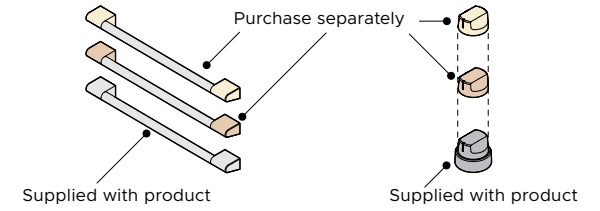
The models shown in this Planning Guide may not be available in all markets and are subject to change at any time. Product specifications may vary from those shown. This Planning Guide should not be used as installation guidance for any product. Further information is required to safely and correctly install the products featured here. Specific installation guidance will be available with the product on delivery and on our website fisherpaykel.com

RANGES



PROFESSIONAL HANDLES/DIALS

Supplied with product:
 Handle bar and off-stand: ○ Stainless steel
 Dial and bezel: ● Gun metal
 Alternative colour finishes/accessories do not include bezel replacement.



PRODUCT	HANDLE	DIAL
RANGES		
RANGES DUAL FUEL/INDUCTION		
- 10 DIALS		
RGV3-485GD-N, RHV3-484-N	AHP3R48BA ○ AHP3R48DC ●	ADLP3RH484BA ● ADLP3RH484DC ●
RANGES DUAL FUEL WITH GRIDDLE		
- 9 DIALS		
RDV3-486GD-N	AHP3R48BA ● AHP3R48DC ●	ADLP3RI486BA ● ADLP3RI486DC ●
RANGES DUAL FUEL WITH GRIDDLE		
- 8 DIALS		
RDV3-485GD-N	AHP3R48BA ● AHP3R48DC ●	ADLP3RD485BA ● ADLP3RD485DC ●
RANGES DUAL FUEL - 10 DIALS		
RDV3-488-L, RDV3-488-N	AHP3R48BA ● AHP3R48DC ●	ADLP3RD488BA ● ADLP3RD488DC ●
RANGES DUAL FUEL - 6 DIALS		
RDV3-366-L, RDV3-366-N	AHP3R36BA ● AHP3R36DC ●	ADLP3RD366BA ● ADLP3RD366DC ●
RANGES INDUCTION - 8 DIALS		
RIV3-486	AHP3R48BA ● AHP3R48DC ●	ADLP3RI486BA ● ADLP3RI486DC ●
RANGES INDUCTION - 5 DIALS		
RIV3-365	AHP3R36BA ● AHP3R36DC ●	ADLP3RI365BA ● ADLP3RI365DC ●

PROFESSIONAL: ● = Brass ● = Dark Copper

The models shown in this Planning Guide may not be available in all markets and are subject to change at any time. Product specifications may vary from those shown. This Planning Guide should not be used as installation guidance for any product. Further information is required to safely and correctly install the products featured here. Specific installation guidance will be available with the product on delivery and on our website fisherpaykel.com

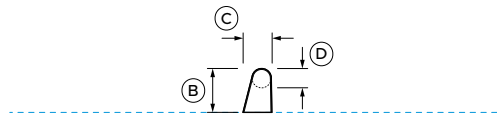
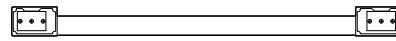
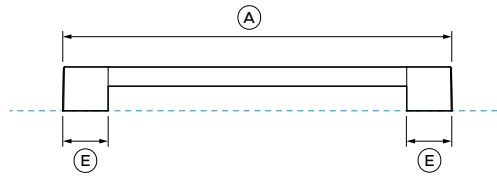
PROFESSIONAL HANDLES

Professional handles for Ovens, Companions, and Ranges are installed differently to other accessory handles.

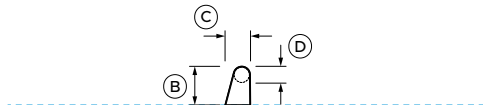
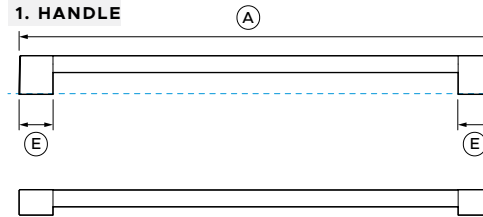
The attachment points are already built into the product, refer to the product's Installation Guide for handle installation instructions.

SCREWS

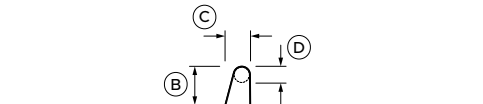
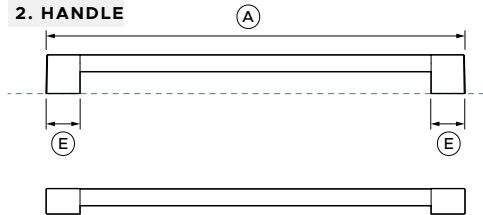
Handles comes with Screws.



1. HANDLE



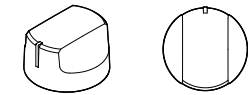
2. HANDLE



PROFESSIONAL DIALS

Professional dials are only for professional Cooktops, Rangetops, and Ranges.

Refer to the product Installation Guide for installation instructions.



PROFESSIONAL HANDLES - OVENS & COMPANIONS

AHP30BWBVB30BA, AHP30BWBVB30DC

PROFESSIONAL HANDLES - RANGES

AHP3R48BA, AHP3R48DC, AHP3R36BA, AHP3R36DC,
 AHP3R48BA, AHP3R48DC, AHP3R36BA, AHP3R36DC,
 AHP3R48BA, AHP3R48DC, AHP3R48BA, AHP3R48DC

PROFESSIONAL DIALS - COOKTOPS, RANGETOPS & RANGES

48" RANGE DIALS

ADLP3RH484BA, ADLP3RH484DC, ADLP3RI486BA, ADLP3RI486DC, ADLP3RD485BA, ADLP3RD485DC, ADLP3RD488BA, ADLP3RD488DC, ADLP3RI486BA, ADLP3RI486DC

36" RANGE DIALS

ADLP3RD366BA, ADLP3RD366DC, ADLP3RI365BA, ADLP3RI365DC

COOKTOP DIALS

ADLP3CD365BA, ADLP3CD365DC

RANGETOP DIALS

ADLP3CP488BA, ADLP3CP488DC, ADLP3CP486BA, ADLP3CP486DC, ADLP3CP485BA, ADLP3CP485DC, ADLP3CP366BA, ADLP3CP366DC

PRODUCT DIMENSIONS

	inch	mm
A Overall length	20 9/32	515
B Overall Height	2 9/32	58
C Overall width	1 1/2	38.5
D Thickness/diameter of handle rail	1	25.5
E Off-stand width	2 3/8	60

	1. HANDLE		2. HANDLE	
	inch	mm	inch	mm
Overall length	35 3/16	893.5	31 1/8	791
Overall Height	2 7/8	73	2 7/8	73
Overall width	1 7/8	48	1 7/8	48
Thickness/diameter of handle rail	1 1/4	32	1 1/4	32
Off-stand width	2 17/32	64	2 17/32	64

----- INDICATES PRODUCT DATUM

IMPORTANT NOTE: Throughout this guide, dimensions may vary by ±2mm (1/16"). Please read the installation manual for detailed information on installing the product. For full installation instructions & specifications visit fisherpaykel.com

The models shown in this Planning Guide may not be available in all markets and are subject to change at any time. Product specifications may vary from those shown. This Planning Guide should not be used as installation guidance for any product. Further information is required to safely and correctly install the products featured here. Specific installation guidance will be available with the product on delivery and on our website fisherpaykel.com

DISHWASHING

SINGLE DISHDRAWER DISHWASHER



DOUBLE DISHDRAWER DISHWASHER



DROP DOWN DOOR DISHWASHERS



PRODUCT	MINIMAL	CONTEMPORARY	PROFESSIONAL
---------	---------	--------------	--------------

SINGLE DISHDRAWER DISHWASHER

Integrated Single DishDrawer - Tall
 Series 11 - DD24STX6HI1, DD24STX6I1
 Series 9 - DD24SHTI9, DD24STI9

AHM1DDDW24B ●	AHD7DDDW24B ●	AHP3-DWDD-SX ●
AHM1DDDW24G ●	AHD7DDDW24S ●	AHP3DDDW24BA ●
		AHP3DDDW24DC ●

Integrated Single DishDrawer - Standard
 Series 9 - DD24SI9

DOUBLE DISHDRAWER DISHWASHER*

Integrated Double DishDrawer - Tall
 Series 11 - DD24DTX6HI1, DD24DTX6I1
 Series 9 - DD24DHTI9, DD24DTI9

AHM1DDDW24B ●	AHD7DDDW24B ●	AHP3-DWDD-SX ●
AHM1DDDW24G ●	AHD7DDDW24S ●	AHP3DDDW24BA ●
		AHP3DDDW24DC ●

Integrated Double DishDrawer - Standard
 Series 9 - DD24DI9

*Double door requires 2x handles to be purchased.

DROP DOOR DISHWASHERS

Integrated Dishwasher - Tall
 Series 9 - DW24UT4I2
 Series 7 - DW24UT2I3

AHM1DDDW24B ●	AHD7DDDW24B ●	AHP3-DWDD-SX ●
AHM1DDDW24G ●	AHD7DDDW24S ●	AHP3DDDW24BA ●
		AHP3DDDW24DC ●

Integrated Dishwasher - Standard
 Series 7 - DW24U2I3

MINIMAL: ● = Black ● = Grey
 CONTEMPORARY: ● = Black ● = Silver
 PROFESSIONAL: ● = Stainless Steel ● = Brass ● = Dark Copper

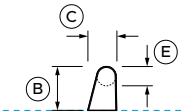
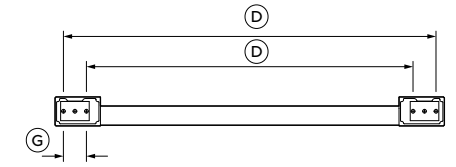
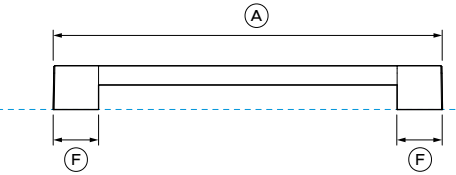
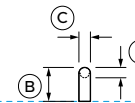
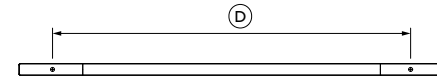
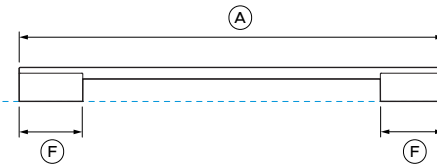
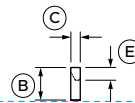
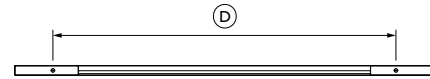
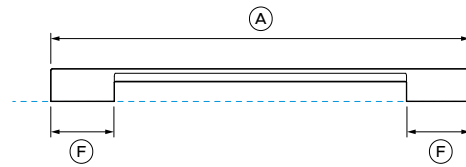
The models shown in this Planning Guide may not be available in all markets and are subject to change at any time. Product specifications may vary from those shown. This Planning Guide should not be used as installation guidance for any product. Further information is required to safely and correctly install the products featured here. Specific installation guidance will be available with the product on delivery and on our website fisherpaykel.com

DISHWASHING - ALL STYLES

Model codes comes with 1 handle.

SCREWS

Handles comes with M5 X 1" (25mm) Pan Head Socket Screw (2 or 4 per handle) suits standard 7 1/2" (19mm) panel. Thicker panels may require counterboring or longer screws.



MINIMAL HANDLE		
AHM1DDDW24B, AHM1DDDW24G		
	inch	mm
A Overall length	20 25/32	528
B Overall Height	1 5/8	41
C Overall width	15/32	12
D Distance between attachment holes	17	432
E Thickness/diameter of handle rail	5/8	16
F Off-stand width	3 5/32	80
G Distance between holes	-	-

CONTEMPORARY HANDLE		
AHD7DDDW24B, AHD7DDDW24S		
	inch	mm
A Overall length	21 1/16	535
B Overall Height	1 11/16	43
C Overall width	9/16	14.5
D Distance between attachment holes	17	432
E Thickness/diameter of handle rail	9/16	14.5
F Off-stand width	3 5/32	80
G Distance between holes	-	-

PROFESSIONAL HANDLE		
AHP3-DWDD-SX, AHP3DDDW24BA, AHP3DDDW24DC		
	inch	mm
A Overall length	20 9/32	515
B Overall Height	2 9/32	58
C Overall width	1 1/2	38.5
D Distance between attachment holes	outer 19 13/32 inner 17	outer 493 inner 432
E Thickness/diameter of handle rail	1	25.5
F Off-stand width	2 3/8	60
G Distance between holes	1 3/16	30.5

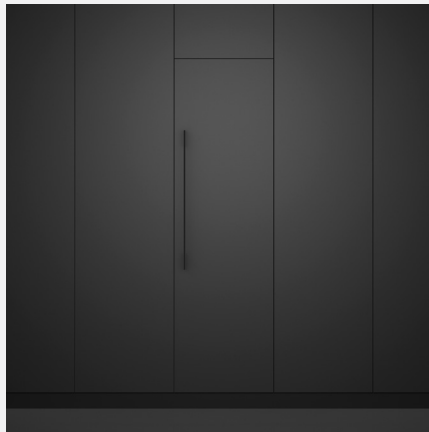
----- INDICATES PRODUCT DATUM

IMPORTANT NOTE: Throughout this guide, dimensions may vary by ±2mm (1/16"). Please read the installation manual for detailed information on installing the product. For full installation instructions & specifications visit fisherpaykel.com

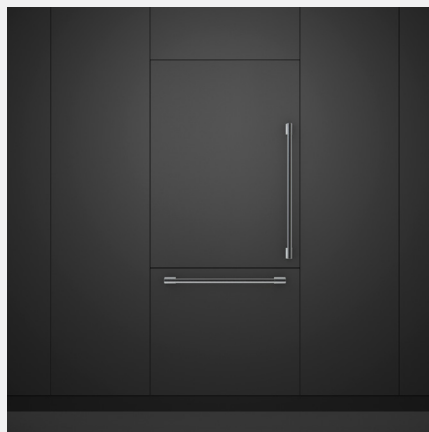
The models shown in this Planning Guide may not be available in all markets and are subject to change at any time. Product specifications may vary from those shown. This Planning Guide should not be used as installation guidance for any product. Further information is required to safely and correctly install the products featured here. Specific installation guidance will be available with the product on delivery and on our website fisherpaykel.com

COOLING

SINGLE DOOR



DOUBLE DOORS



SINGLE DOOR

PRODUCT	MINIMAL	CONTEMPORARY	PROFESSIONAL
HEIGHT 84" (2134MM)			
RS2484SLHE1, RS2484SRHE1, RS2484SRHK1, RS2484SRK1, RS3084SLHE1, RS3084SRHE1, RS3084SRHK1, RS3084SRK1, RS1884FLJE1, RS1884FRJE1, RS1884FLJK1, RS2484FLJE1, RS2484FRJE1, RS2484FLJK1, RS3084FLJE1, RS3084FRJE1, RS3084FLJK1, RS2484VL2K1, RS2484VR2K1	AHM1RDSFB ●	AHD7RDSFX ●	AHP3RDSF ● AHP3RDSFBA ● AHP3RDSFDC ●
HEIGHT 74" (1870MM)			
RS2474S3RH1, RS2474F3LJ1			

DOUBLE DOOR*

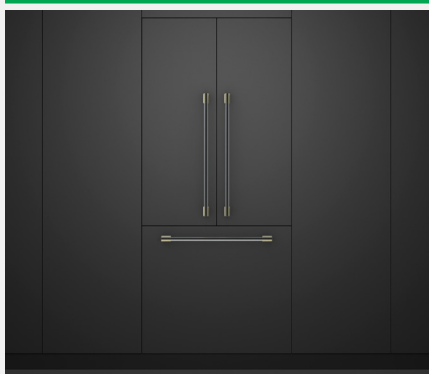
PRODUCT	MINIMAL	CONTEMPORARY	PROFESSIONAL
HEIGHT 84" (2134MM)			
RS3684WRUVE1, RS3684WLUVE1	AHM1RD3684WB ●	AHD7RD3684WX ●	AHP3RD3684W ● AHP3RD3684WBA ● AHP3RD3684WDC ●
RS3084WLUE1, RS3084WRUE1, RS3084WLUK1, RS3084WRUK1	AHM1RD3084WB ●	AHD7RD3084WX ●	AHP3RD3084W ● AHP3RD3084WBA ● AHP3RD3084WDC ●
RS2484WLUE1, RS2484WRUE1, RS2484WLUK1, RS2484WRUK1	AHM1RD2484WB ●	AHD7RD2484WX ●	AHP3RD2484W ● AHP3RD2484WBA ● AHP3RD2484WDC ●
HEIGHT 79 15/16" (2030MM)			
RS36W80LJ1, RS36W80RJ1, RS36W80RU1	AHM1RD36WB ●	AHD7RD36WX ●	AHP3RD36W ●
HEIGHT 69 3/4" (1772MM)			
RS2474BRU1	AHM1RDB74LB** ● AHM1RDB74RB*** ●	AHD7RDB74X ●	AHP3RDB74 ●

*Handle kit comes with 2 handles. **For left hinge. ***For right hinge.

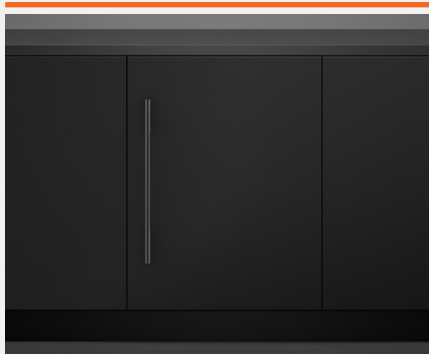
MINIMAL: ● = Black
 CONTEMPORARY: ● = Silver
 PROFESSIONAL: ● = Stainless Steel ● = Brass ● = Dark Copper

The models shown in this Planning Guide may not be available in all markets and are subject to change at any time. Product specifications may vary from those shown. This Planning Guide should not be used as installation guidance for any product. Further information is required to safely and correctly install the products featured here. Specific installation guidance will be available with the product on delivery and on our website fisherpaykel.com

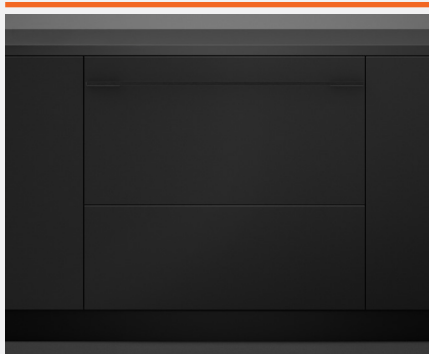
TRIPLE DOOR



UNDERCOUNTER



COOLDRAWER™



TRIPLE DOOR*

PRODUCT	MINIMAL	CONTEMPORARY	PROFESSIONAL
HEIGHT 84" (2134MM)			
RS3684AUVE1	AHM1RD3684AB ●	AHD7RD3684AX ●	AHP3RD3684A ● AHP3RD3684ABA ● AHP3RD3684ADC ●
HEIGHT 70 13/16" (1798MM)			
RS36A72J1, RS36A72U1, RS36A80J1, RS36A80U1	AHM1RD36AB ●	AHD7RD36AX ●	AHP3RD36A ●
RS32A72J1, RS32A72U1	AHM1RD32AB ●	AHD7RD32AX ●	AHP3RD32A ●

*Handle kit comes with 3 handles.

UNDERCOUNTER & COOLDRAWER™

PRODUCT	MINIMAL	CONTEMPORARY	PROFESSIONAL
UNDERCOUNTER			
RS2435V2RT1, RS2435V2R1, RS2435SBLT1, RS2435SBL1	AHM1RD35B ●	AHD7RD35X ●	AHP3RD35 ●
COOLDRAWER™			
RB36S25MKIW	AHM1RD36SB ●	AHD7RD36SX ●	AHP3RD36S ●

MINIMAL: ● = Black
 CONTEMPORARY: ● = Silver
 PROFESSIONAL: ● = Stainless Steel ● = Brass ● = Dark Copper

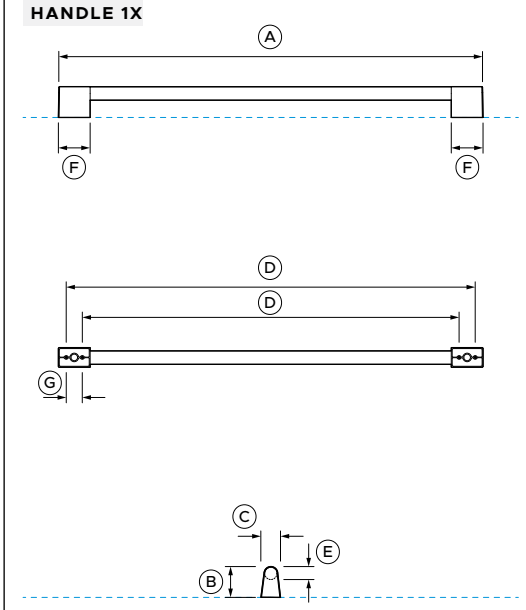
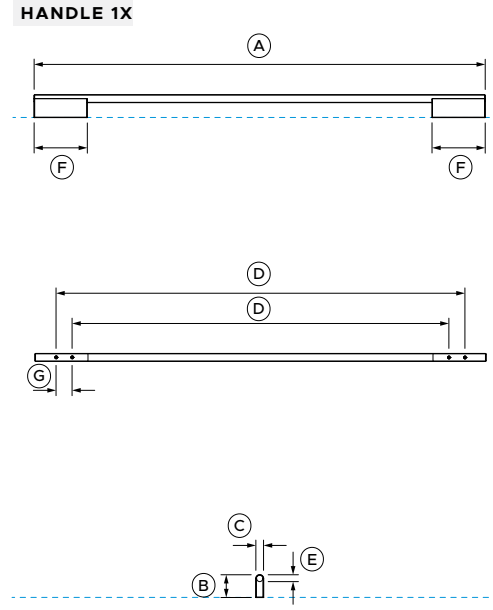
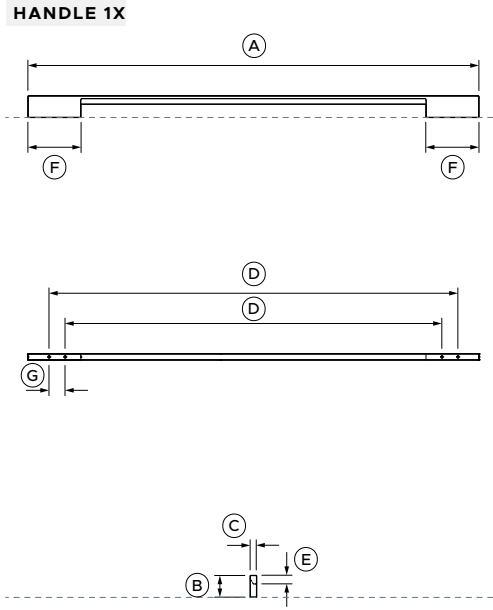
The models shown in this Planning Guide may not be available in all markets and are subject to change at any time. Product specifications may vary from those shown. This Planning Guide should not be used as installation guidance for any product. Further information is required to safely and correctly install the products featured here. Specific installation guidance will be available with the product on delivery and on our website fisherpaykel.com

COOLING - SINGLE DOOR HANDLES

Model code comes with 1 handle.

SCREWS

Handles comes with M5 X 1" (25mm) Pan Head Socket Screw (2 or 4 per handle) suits standard 7 1/2" (19mm) panel. Thicker panels may require counterboring or longer screws.



PRODUCT DIMENSIONS	MINIMAL AHMIRD5FB		CONTEMPORARY AHD7RDSFX		PROFESSIONAL AHP3RDSF, AHP3RDSFBA, AHP3RDSFDC	
	inch	mm	inch	mm	inch	mm
A Overall length	33 9/16	852	33 9/16	852	31 9/16	802
B Overall Height	1 5/8	41	1 11/16	43	2 9/32	58
C Overall width	15/32	12	9/16	14.5	1 7/16	37
D Distance between attachment holes						
- outer	30 13/32	772.5	30 13/32	772.5	30 13/32	772.5
- inner	28 1/32	712	28 1/32	712	28 1/32	712
E Thickness/diameter of handle rail	5/8	16	9/16	14.5	1	25.5
F Off-stand width	3 15/16	100	3 15/16	100	2 3/8	60
G Distance between holes	1 3/16	30	1 3/16	30	1 3/16	30

----- INDICATES PRODUCT DATUM

IMPORTANT NOTE: Throughout this guide, dimensions may vary by ±2mm (1/16"). Please read the installation manual for detailed information on installing the product. For full installation instructions & specifications visit fisherpaykel.com

The models shown in this Planning Guide may not be available in all markets and are subject to change at any time. Product specifications may vary from those shown. This Planning Guide should not be used as installation guidance for any product. Further information is required to safely and correctly install the products featured here. Specific installation guidance will be available with the product on delivery and on our website fisherpaykel.com

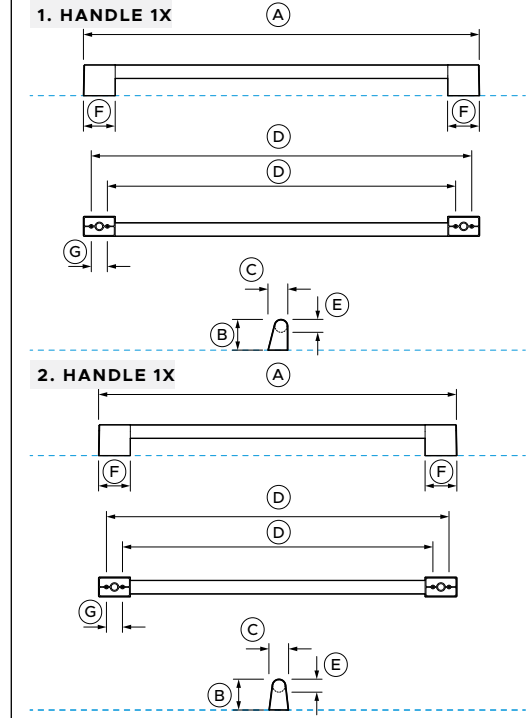
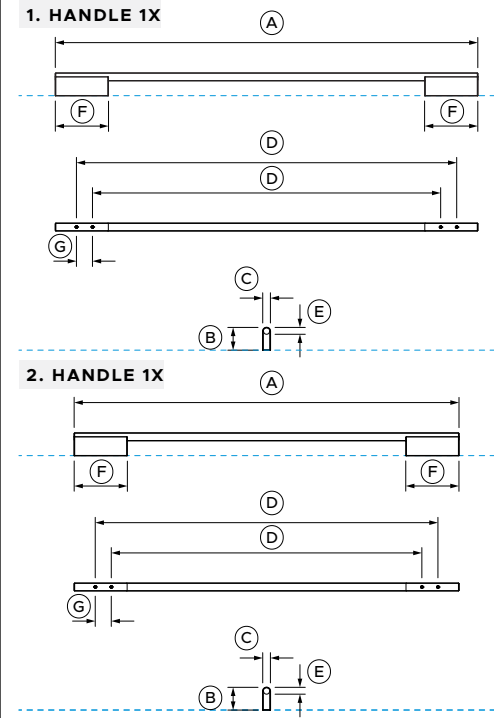
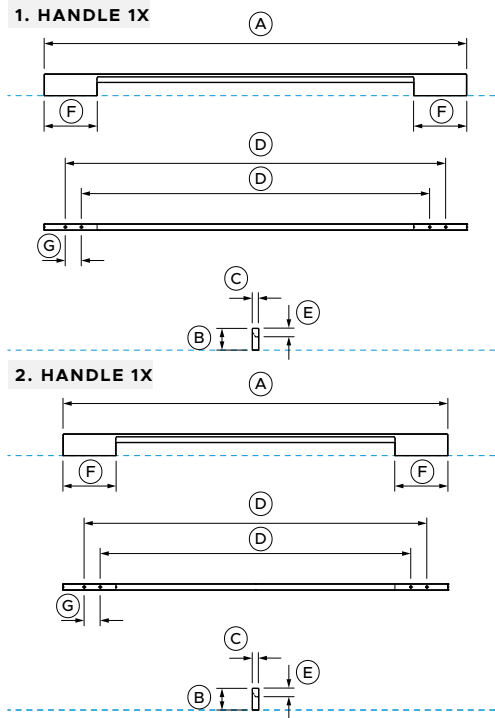
COOLING - DOUBLE DOOR HANDLE KIT

Handle kit comes with 2 handles.

Handle 1. = Bottom panel
Handle 2. = Top panel

SCREWS

Handles comes with M5 X 1" (25mm) Pan Head Socket Screw (2 or 4 per handle) suits standard 7 1/2" (19mm) panel. Thicker panels may require counterboring or longer screws.



PRODUCT DIMENSIONS	
A	Overall length
B	Overall Height
C	Overall width
D	Distance between attachment holes - outer - inner
E	Thickness/diameter of handle rail
F	Off-stand width
G	Distance between holes

MINIMAL AHM1RD3684WB				
1. HANDLE		2. HANDLE		
inch	mm	inch	mm	
31 13/32	798	28 5/8	727	
1 5/8	41	1 5/8	41	
15/32	12	15/32	12	
28 9/32	718.5	25 1/2	647.5	
25 29/32	658	23 1/8	587	
5/8	16	5/8	16	
3 15/16	100	3 15/16	100	
1 3/16	30	1 3/16	30	

CONTEMPORARY AHD7RD3684WX				
1. HANDLE		2. HANDLE		
inch	mm	inch	mm	
31 13/32	798	28 5/8	727	
1 11/16	43	1 11/16	43	
9/16	14.5	9/16	14.5	
28 9/32	718.5	25 1/2	647.5	
25 29/32	658	23 1/8	587	
9/16	14.5	9/16	14.5	
3 15/16	100	3 15/16	100	
1 3/16	30	1 3/16	30	

PROFESSIONAL AHP3RD3684W, AHP3RD3684WBA, AHP3RD3684WDC				
1. HANDLE		2. HANDLE		
inch	mm	inch	mm	
29 13/32	747	26 21/32	677	
2 9/32	58	2 9/32	58	
1 15/32	37.5	1 7/16	37	
28 9/32	718.5	25 1/2	647.5	
25 29/32	658	23 1/8	587	
1	25.5	1	25.5	
2 3/8	60	2 3/8	60	
1 3/16	30	1 3/16	30	

----- INDICATES PRODUCT DATUM

IMPORTANT NOTE: Throughout this guide, dimensions may vary by ±2mm (1/16"). Please read the installation manual for detailed information on installing the product. For full installation instructions & specifications visit fisherpaykel.com

The models shown in this Planning Guide may not be available in all markets and are subject to change at any time. Product specifications may vary from those shown. This Planning Guide should not be used as installation guidance for any product. Further information is required to safely and correctly install the products featured here. Specific installation guidance will be available with the product on delivery and on our website fisherpaykel.com

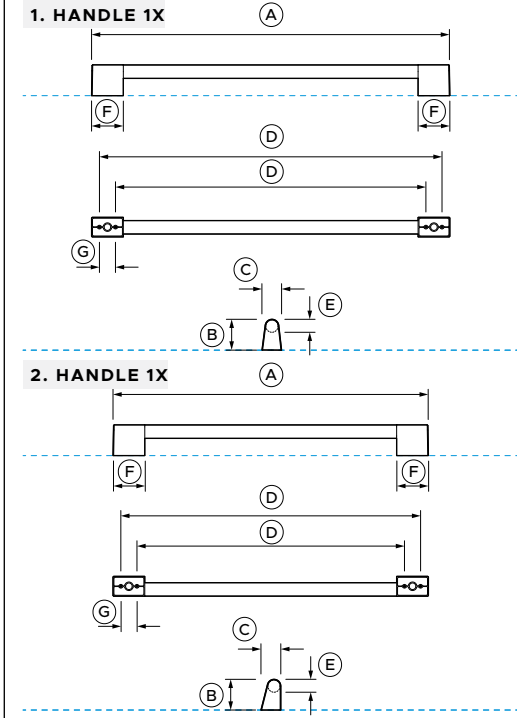
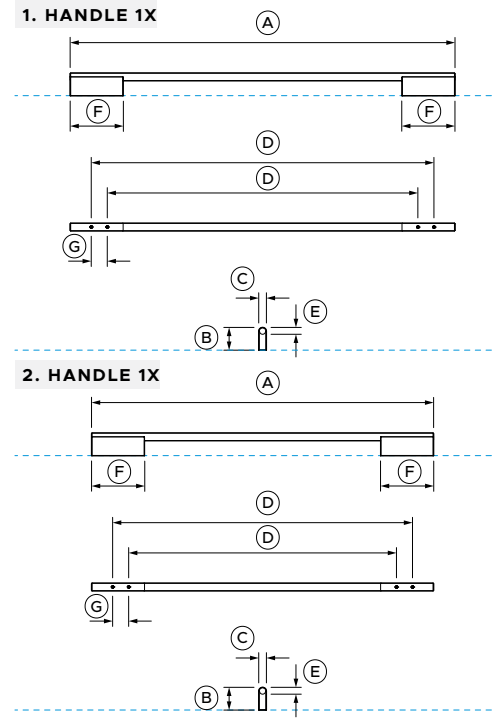
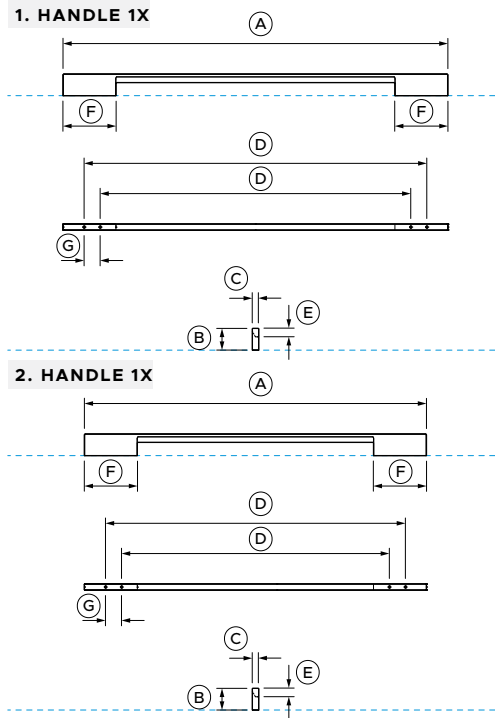
COOLING - DOUBLE DOOR HANDLE KIT

Handle kit comes with 2 handles.

Handle 1. = Top panel
Handle 2. = Bottom panel

SCREWS

Handles comes with M5 X 1" (25mm) Pan Head Socket Screw (2 or 4 per handle) suits standard 7 1/2" (19mm) panel. Thicker panels may require counterboring or longer screws.



PRODUCT DIMENSIONS	
A	Overall length
B	Overall Height
C	Overall width
D	Distance between attachment holes - outer - inner
E	Thickness/diameter of handle rail
F	Off-stand width
G	Distance between holes

MINIMAL AHM1RD3084WB				
1. HANDLE		2. HANDLE		
inch	mm	inch	mm	
28 5/8	727	25 7/16	646	
1 5/8	41	1 5/8	41	
15/32	12	15/32	12	
25 1/2	647.5	22 5/16	566.5	
23 1/8	587	19 15/16	506	
5/8	16	5/8	16	
3 15/16	100	3 15/16	100	
1 3/16	30	1 3/16	30	

CONTEMPORARY AHD7RD3084WX				
1. HANDLE		2. HANDLE		
inch	mm	inch	mm	
28 5/8	727	25 7/16	646	
1 11/16	43	1 11/16	43	
9/16	14.5	9/16	14.5	
25 1/2	647.5	22 5/16	566.5	
23 1/8	587	19 15/16	506	
9/16	14.5	9/16	14.5	
3 15/16	100	3 15/16	100	
1 3/16	30	1 3/16	30	

PROFESSIONAL AHP3RD3084W, AHP3RD3084WBA, AHP3RD3084WDC				
1. HANDLE		2. HANDLE		
inch	mm	inch	mm	
26 21/32	677	23 15/32	596	
2 9/32	58	2 9/32	58	
1 7/16	37	1 15/32	37.5	
25 1/2	647.5	22 5/16	566.5	
23 1/8	587	19 15/16	506	
1	25.5	1	25.5	
2 3/8	60	2 3/8	60	
1 3/16	30	1 3/16	30	

----- INDICATES PRODUCT DATUM

IMPORTANT NOTE: Throughout this guide, dimensions may vary by ±2mm (1/16"). Please read the installation manual for detailed information on installing the product. For full installation instructions & specifications visit fisherpaykel.com

The models shown in this Planning Guide may not be available in all markets and are subject to change at any time. Product specifications may vary from those shown. This Planning Guide should not be used as installation guidance for any product. Further information is required to safely and correctly install the products featured here. Specific installation guidance will be available with the product on delivery and on our website fisherpaykel.com

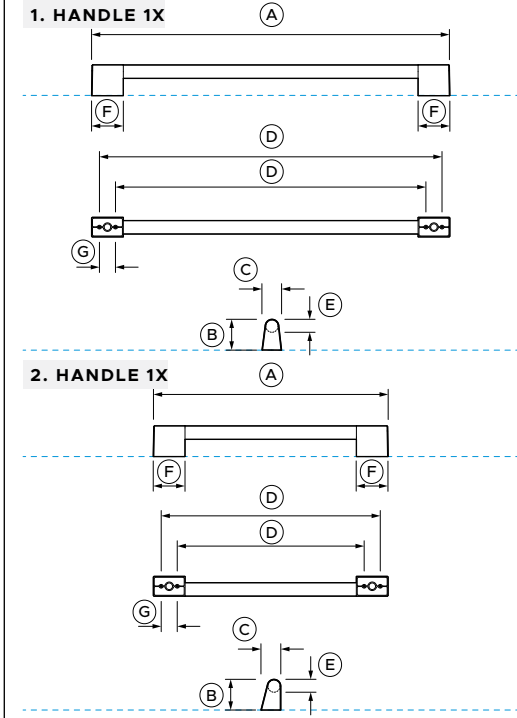
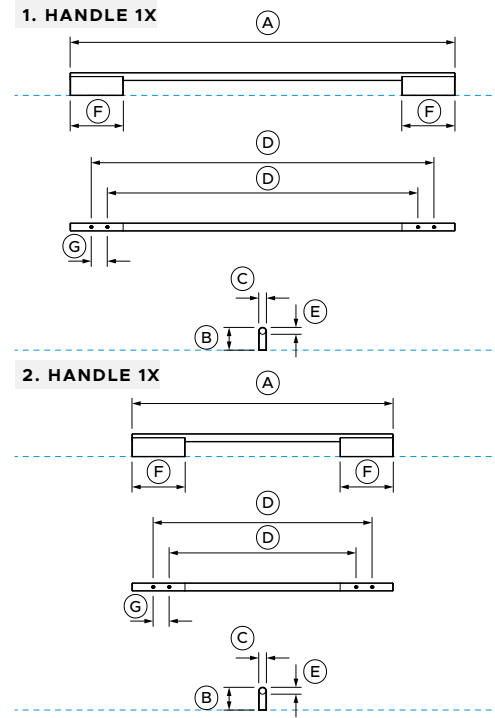
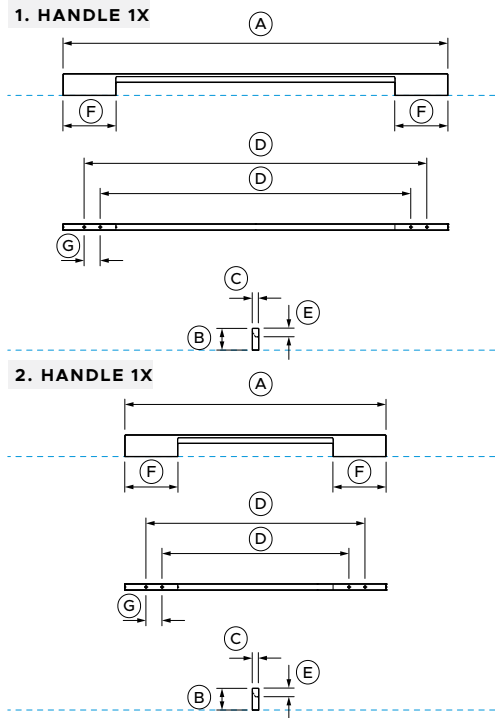
COOLING - DOUBLE DOOR HANDLE KIT

Handle kit comes with 2 handles.

Handle 1. = Top panel
Handle 2. = Bottom panel

SCREWS

Handles comes with M5 X 1" (25mm) Pan Head Socket Screw (2 or 4 per handle) suits standard 7 1/2" (19mm) panel. Thicker panels may require counterboring or longer screws.



PRODUCT DIMENSIONS	
A	Overall length
B	Overall Height
C	Overall width
D	Distance between attachment holes - outer - inner
E	Thickness/diameter of handle rail
F	Off-stand width
G	Distance between holes

MINIMAL AHM1RD2484WB				
1. HANDLE		2. HANDLE		
inch	mm	inch	mm	
28 5/8	727	19 13/32	493	
1 5/8	41	1 5/8	41	
15/32	12	15/32	12	
25 1/2	647.5	16 5/16	414	
23 1/8	587	13 29/32	353	
5/8	16	5/8	16	
3 15/16	100	3 15/16	100	
1 3/16	30	1 3/16	30	

CONTEMPORARY AHD7RD2484WX				
1. HANDLE		2. HANDLE		
inch	mm	inch	mm	
28 5/8	727	19 13/32	493	
1 11/16	43	1 11/16	43	
9/16	14.5	9/16	14.5	
25 1/2	647.5	16 5/16	414	
23 1/8	587	13 29/32	353	
9/16	14.5	9/16	14.5	
3 15/16	100	3 15/16	100	
1 3/16	30	1 3/16	30	

PROFESSIONAL AHP3RD2484W, AHP3RD2484WBA, AHP3RD2484WDC				
1. HANDLE		2. HANDLE		
inch	mm	inch	mm	
26 21/32	677	17 15/32	443.5	
2 9/32	58	2 9/32	58	
1 7/16	37	1 15/32	37.5	
25 1/2	647.5	16 5/16	414	
23 1/8	587	13 29/32	353	
1	25.5	1	25.5	
2 3/8	60	2 3/8	60	
1 3/16	30	1 3/16	30	

----- INDICATES PRODUCT DATUM

IMPORTANT NOTE: Throughout this guide, dimensions may vary by ±2mm (1/16"). Please read the installation manual for detailed information on installing the product. For full installation instructions & specifications visit fisherpaykel.com

The models shown in this Planning Guide may not be available in all markets and are subject to change at any time. Product specifications may vary from those shown. This Planning Guide should not be used as installation guidance for any product. Further information is required to safely and correctly install the products featured here. Specific installation guidance will be available with the product on delivery and on our website fisherpaykel.com

COOLING - DOUBLE DOOR HANDLE KIT

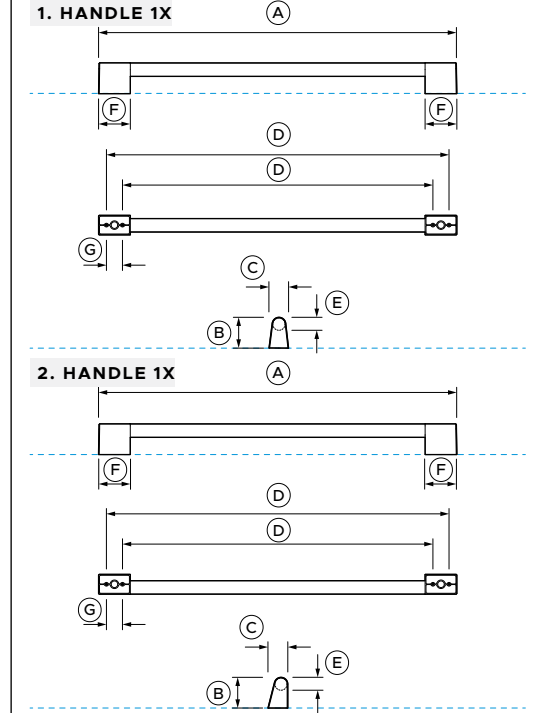
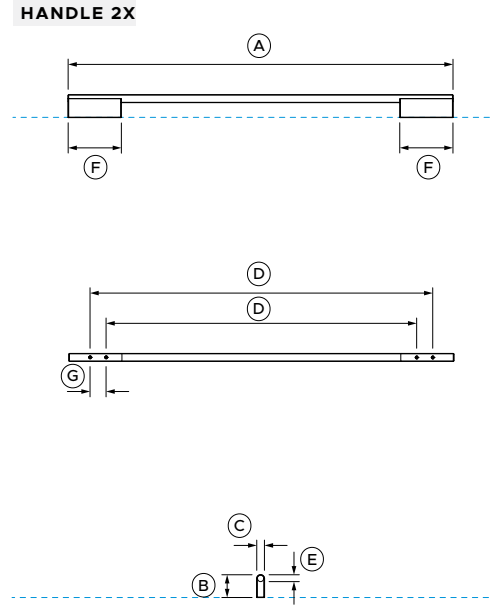
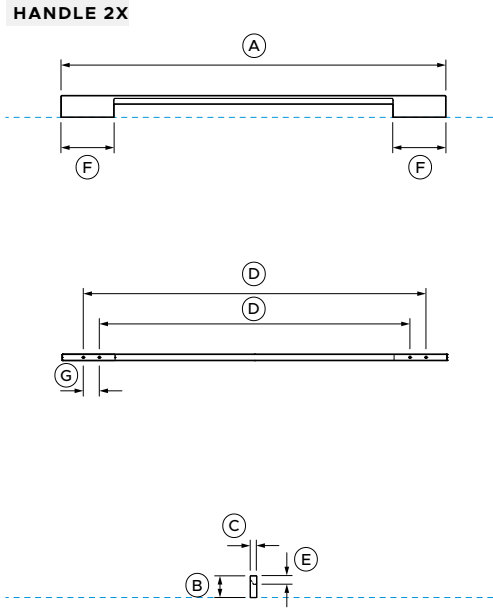
Handle kit comes with 2 handles.

PROFESSIONAL HANDLES

Handle 1. = Top panel
Handle 2. = Bottom panel

SCREWS

Handles comes with M5 X 1" (25mm) Pan Head Socket Screw (2 or 4 per handle) suits standard 7 1/2" (19mm) panel. Thicker panels may require counterboring or longer screws.



MINIMAL		
AHM1RD36WB		
	inch	mm
A Overall length	28 5/8	727
B Overall Height	1 5/8	41
C Overall width	15/32	12
D Distance between attachment holes		
- outer	25 1/2	647.5
- inner	23 1/8	587
E Thickness/diameter of handle rail	5/8	16
F Off-stand width	3 15/16	100
G Distance between holes	1 3/16	30

CONTEMPORARY		
AHD7RD36WX		
	inch	mm
A Overall length	28 5/8	727
B Overall Height	1 11/16	43
C Overall width	9/16	14.5
D Distance between attachment holes		
- outer	25 1/2	647.5
- inner	23 1/8	587
E Thickness/diameter of handle rail	9/16	14.5
F Off-stand width	3 15/16	100
G Distance between holes	1 3/16	30

PROFESSIONAL				
AHP3RD36W				
	1. HANDLE		2. HANDLE	
	inch	mm	inch	mm
A Overall length	26 21/32	677	26 21/32	677
B Overall Height	2 9/32	58	2 9/32	58
C Overall width	1 7/16	37	1 15/32	37.5
D Distance between attachment holes				
- outer	25 1/2	647.5	25 1/2	647.5
- inner	23 1/8	587	23 1/8	587
E Thickness/diameter of handle rail	1	25.5	1	25.5
F Off-stand width	2 3/8	60	2 3/8	60
G Distance between holes	1 3/16	30	1 3/16	30

----- INDICATES PRODUCT DATUM

IMPORTANT NOTE: Throughout this guide, dimensions may vary by ±2mm (1/16"). Please read the installation manual for detailed information on installing the product. For full installation instructions & specifications visit fisherpaykel.com

The models shown in this Planning Guide may not be available in all markets and are subject to change at any time. Product specifications may vary from those shown. This Planning Guide should not be used as installation guidance for any product. Further information is required to safely and correctly install the products featured here. Specific installation guidance will be available with the product on delivery and on our website fisherpaykel.com

COOLING - DOUBLE DOOR HANDLE KIT

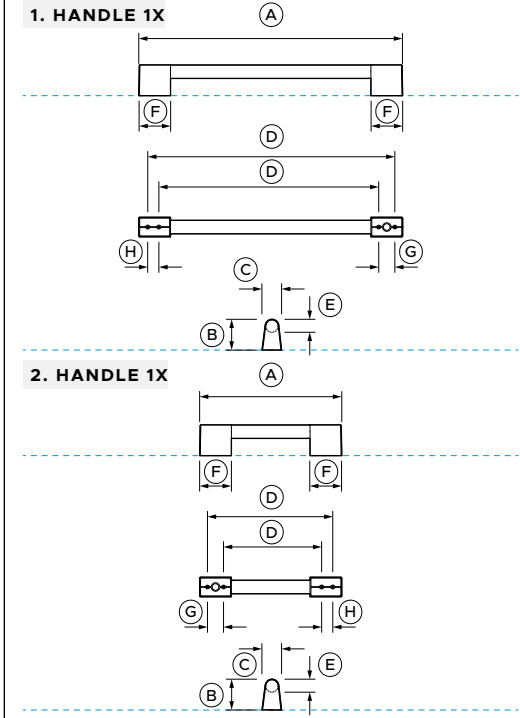
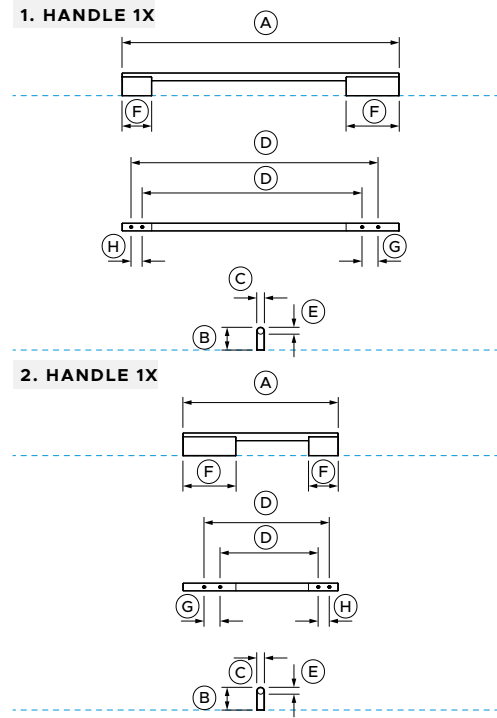
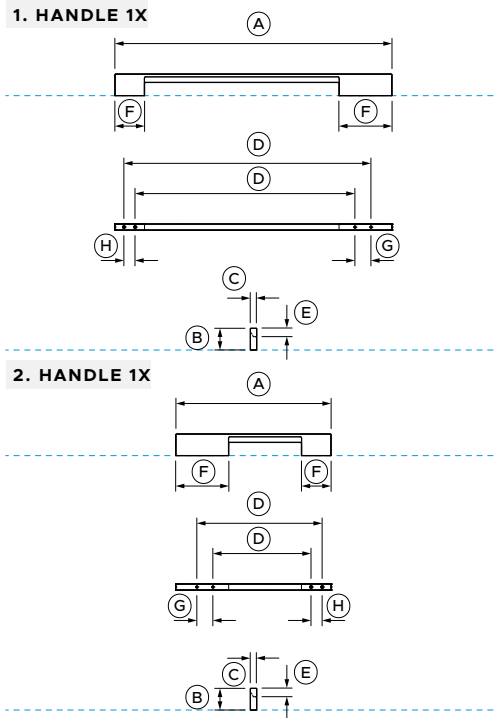
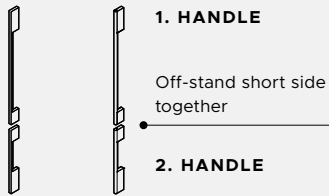
Handle kit comes with 2 handles

Handle 1. = Top panel
Handle 2. = Bottom panel

SCREWS

Handles comes with M5 X 1" (25mm) Pan Head Socket Screw (2 or 4 per handle) suits standard 7 1/2" (19mm) panel. Thicker panels may require counterboring or longer screws.

PLACEMENT ON PRODUCT



MINIMAL				
AHM1RDB74LB, AHM1RDB74RB				
	1. HANDLE		2. HANDLE	
	inch	mm	inch	mm
A Overall length	20 19/32	523	11 17/32	293
B Overall Height	1 5/8	41	1 5/8	41
C Overall width	15/32	12	15/32	12
D Distance between attachment holes				
- outer	18 3/8	467	9 11/32	237
- inner	16 3/8	415.5	7 5/16	185.5
E Thickness/diameter of handle rail	5/8	16	5/8	16
F Off-stand width				
- long side	3 15/16	100	3 15/16	100
- short side	2 3/16	56	2 3/16	56
G Distance between holes (long side)	1 3/16	30	1 3/16	30
H Distance between holes (short side)	27/32	21	27/32	21

CONTEMPORARY				
AHD7RDB74X				
	1. HANDLE		2. HANDLE	
	inch	mm	inch	mm
A Overall length	20 19/32	523	11 17/32	293
B Overall Height	1 11/16	43	1 11/16	43
C Overall width	9/16	14.5	9/16	14.5
D Distance between attachment holes				
- outer	18 3/8	467	9 11/32	237
- inner	16 3/8	415.5	7 5/16	185.5
E Thickness/diameter of handle rail	9/16	14.5	9/16	14.5
F Off-stand width				
- long side	3 15/16	100	3 15/16	100
- short side	2 3/16	56	2 3/16	56
G Distance between holes (long side)	1 3/16	30	1 3/16	30
H Distance between holes (short side)	27/32	21	27/32	21

PROFESSIONAL				
AHP3RDB74				
	1. HANDLE		2. HANDLE	
	inch	mm	inch	mm
A Overall length	19 5/8	498.5	10 9/16	268.5
B Overall Height	2 9/32	58	2 9/32	58
C Overall width	1 7/16	37	1 7/16	37
D Distance between attachment holes				
- outer	18 3/8	467	9 11/32	237
- inner	16 3/8	415.5	7 5/16	185.5
E Thickness/diameter of handle rail	1	25.5		
F Off-stand width				
- long side	60	60	60	60
- short side	-	-	-	-
G Distance between holes (long side)	1 3/16	30	1 3/16	30
H Distance between holes (short side)	27/32	21	27/32	21

----- INDICATES PRODUCT DATUM

IMPORTANT NOTE: Throughout this guide, dimensions may vary by ±2mm (1/16"). Please read the installation manual for detailed information on installing the product. For full installation instructions & specifications visit fisherpaykel.com

The models shown in this Planning Guide may not be available in all markets and are subject to change at any time. Product specifications may vary from those shown. This Planning Guide should not be used as installation guidance for any product. Further information is required to safely and correctly install the products featured here. Specific installation guidance will be available with the product on delivery and on our website fisherpaykel.com

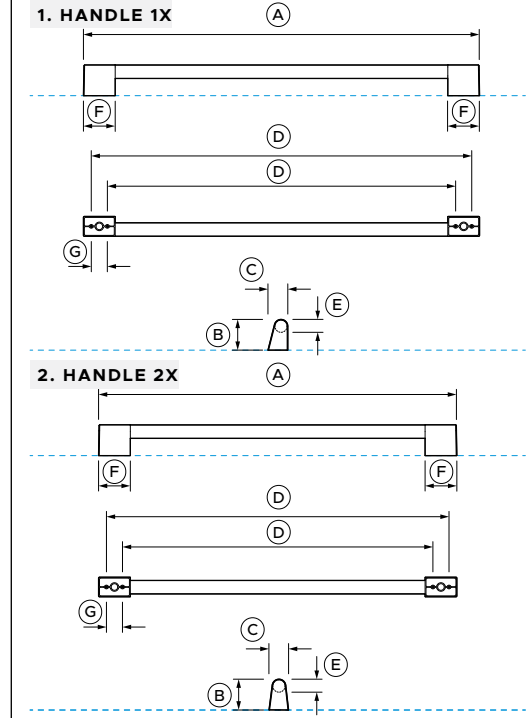
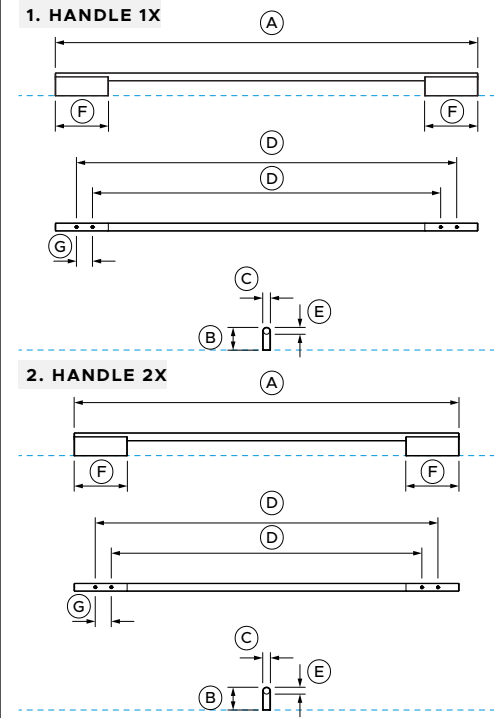
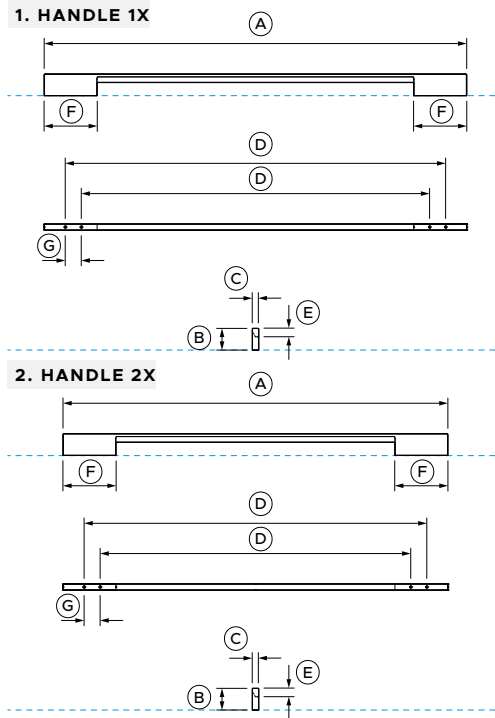
COOLING - TRIPLE DOOR HANDLE KIT

Handle kit comes with 3 handles.

Handle 1. = Bottom panel
Handle 2. = Top panels

SCREWS

Handles comes with M5 X 1" (25mm) Pan Head Socket Screw (2 or 4 per handle) suits standard 7 1/2" (19mm) panel. Thicker panels may require counterboring or longer screws.



PRODUCT DIMENSIONS	
A	Overall length
B	Overall Height
C	Overall width
D	Distance between attachment holes - outer - inner
E	Thickness/diameter of handle rail
F	Off-stand width
G	Distance between holes

MINIMAL AHM1RD3684AB				
1. HANDLE		2. HANDLE		
inch	mm	inch	mm	
31 13/32	798	28 5/8	727	
1 5/8	41	1 5/8	41	
15/32	12	15/32	12	
28 5/16	719	25 1/2	647.5	
25 29/32	658	23 1/8	587	
5/8	16	5/8	16	
3 15/16	100	3 15/16	100	
1 3/16	30	1 3/16	30	

CONTEMPORARY AHD7RD3684AX				
1. HANDLE		2. HANDLE		
inch	mm	inch	mm	
31 13/32	798	28 5/8	727	
1 11/16	43	1 11/16	43	
9/16	14.5	9/16	14.5	
28 5/16	719	25 1/2	647.5	
25 29/32	658	23 1/8	587	
9/16	14.5	9/16	14.5	
3 15/16	100	3 15/16	100	
1 3/16	30	1 3/16	30	

PROFESSIONAL AHP3RD3684A, AHP3RD3684ABA, AHP3RD3684ADC				
1. HANDLE		2. HANDLE		
inch	mm	inch	mm	
29 15/32	748.5	26 21/32	677	
2 9/32	58	2 9/32	58	
1 15/32	37.5	1 7/16	37	
28 5/16	719	25 1/2	647.5	
25 29/32	658	23 1/8	587	
1	25.5	1	25.5	
2 3/8	60	2 3/8	60	
1 3/16	30	1 3/16	30	

----- INDICATES PRODUCT DATUM

IMPORTANT NOTE: Throughout this guide, dimensions may vary by ±2mm (1/16"). Please read the installation manual for detailed information on installing the product. For full installation instructions & specifications visit fisherpaykel.com

The models shown in this Planning Guide may not be available in all markets and are subject to change at any time. Product specifications may vary from those shown. This Planning Guide should not be used as installation guidance for any product. Further information is required to safely and correctly install the products featured here. Specific installation guidance will be available with the product on delivery and on our website fisherpaykel.com

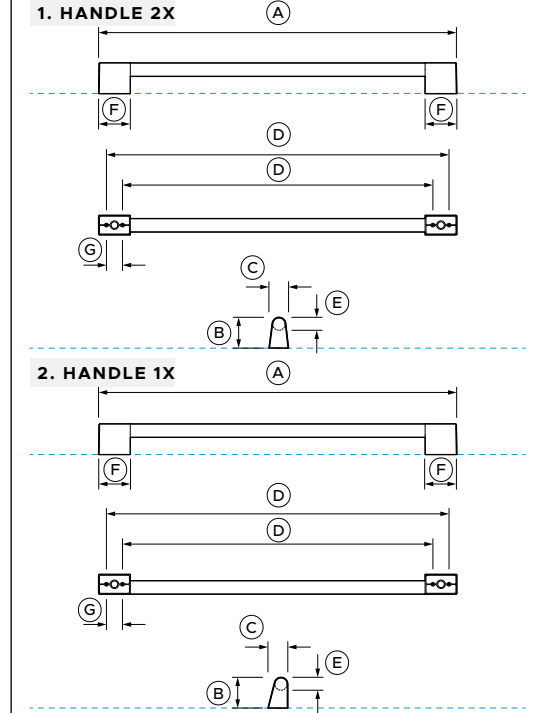
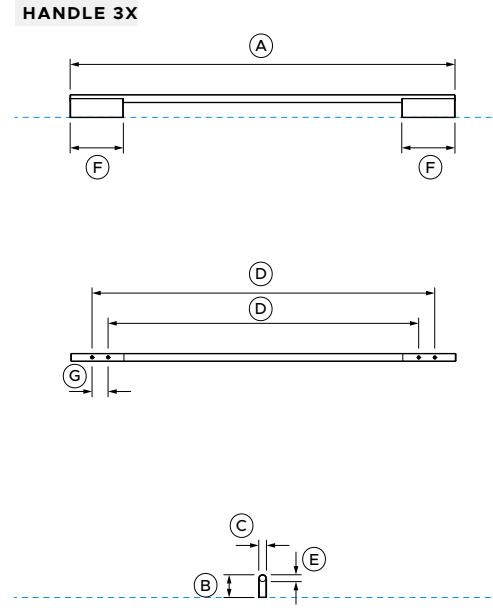
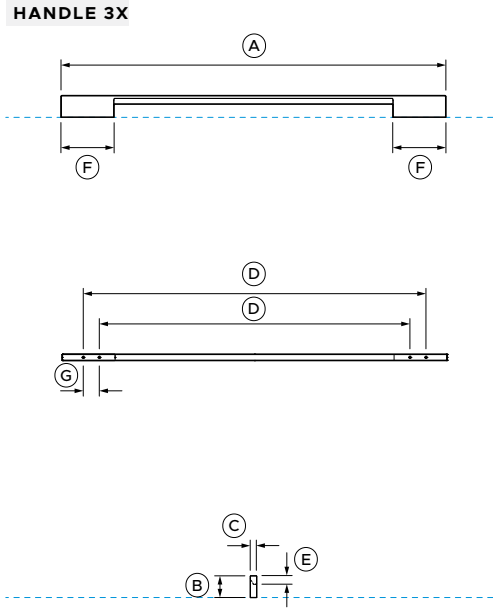
COOLING - TRIPLE DOOR HANDLE KIT

Handle kit comes with 3 handles.

Handle 1. = Top panels
Handle 2. = Bottom panel

SCREWS

Handles comes with M5 X 1" (25mm) Pan Head Socket Screw (2 or 4 per handle) suits standard 7 1/2" (19mm) panel. Thicker panels may require counterboring or longer screws.



PRODUCT DIMENSIONS		inch	mm
A	Overall length	28 5/8	727
B	Overall Height	1 5/8	41
C	Overall width	15/32	12
D	Distance between attachment holes		
	- outer	25 1/2	647.5
	- inner	23 1/8	587
E	Thickness/diameter of handle rail	5/8	16
F	Off-stand width	3 15/16	100
G	Distance between holes	1 3/16	30

		MINIMAL	
		AHM1RD36AB	
		inch	mm
A	Overall length	28 5/8	727
B	Overall Height	1 5/8	41
C	Overall width	15/32	12
D	Distance between attachment holes		
	- outer	25 1/2	647.5
	- inner	23 1/8	587
E	Thickness/diameter of handle rail	5/8	16
F	Off-stand width	3 15/16	100
G	Distance between holes	1 3/16	30

		CONTEMPORARY	
		AHD7RD36AX	
		inch	mm
A	Overall length	28 5/8	727
B	Overall Height	1 11/16	43
C	Overall width	9/16	14.5
D	Distance between attachment holes		
	- outer	25 1/2	647.5
	- inner	23 1/8	587
E	Thickness/diameter of handle rail	9/16	14.5
F	Off-stand width	3 15/16	100
G	Distance between holes	1 3/16	30

		PROFESSIONAL			
		AHP3RD36A			
		1. HANDLE		2. HANDLE	
		inch	mm	inch	mm
A	Overall length	26 21/32	677	26 21/32	677
B	Overall Height	2 9/32	58	2 9/32	58
C	Overall width	1 7/16	37	1 15/32	37.5
D	Distance between attachment holes				
	- outer	25 1/2	647.5	25 1/2	647.5
	- inner	23 1/8	587	23 1/8	587
E	Thickness/diameter of handle rail	1	25.5	1	25.5
F	Off-stand width	2 3/8	60	2 3/8	60
G	Distance between holes	1 3/16	30	1 3/16	30

----- INDICATES PRODUCT DATUM

IMPORTANT NOTE: Throughout this guide, dimensions may vary by ±2mm (1/16"). Please read the installation manual for detailed information on installing the product. For full installation instructions & specifications visit fisherpaykel.com

The models shown in this Planning Guide may not be available in all markets and are subject to change at any time. Product specifications may vary from those shown. This Planning Guide should not be used as installation guidance for any product. Further information is required to safely and correctly install the products featured here. Specific installation guidance will be available with the product on delivery and on our website fisherpaykel.com

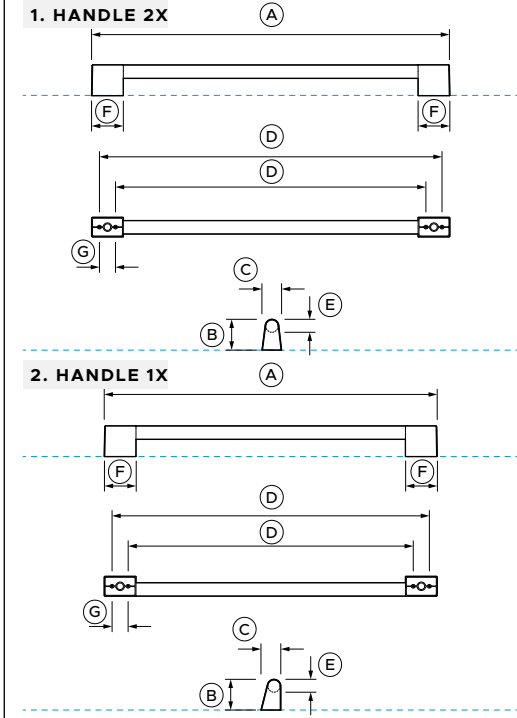
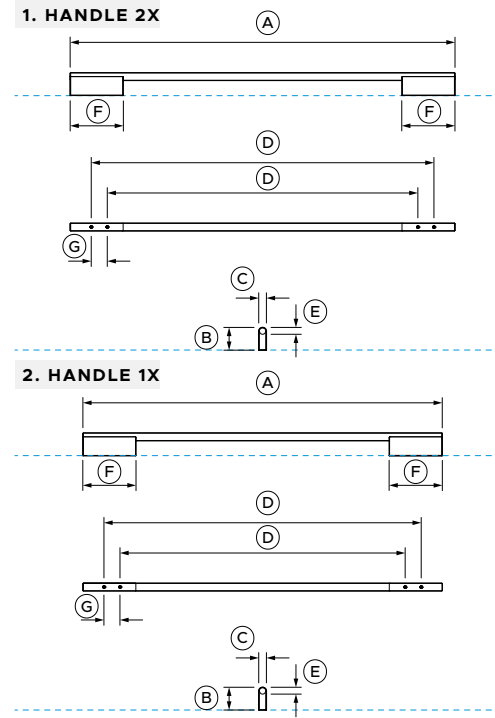
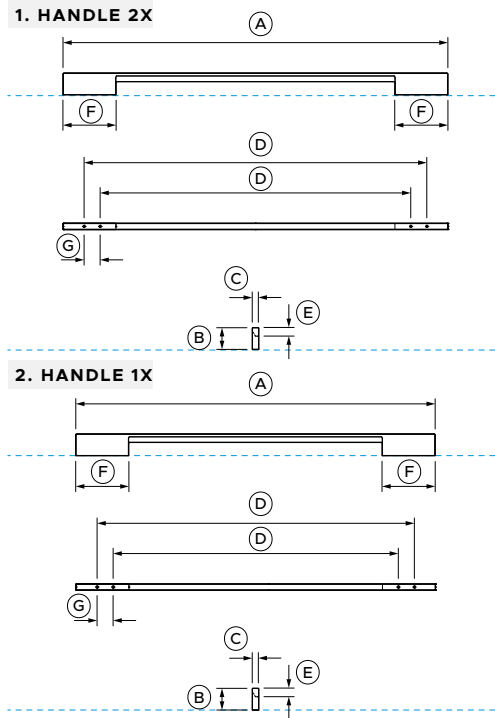
COOLING - TRIPLE DOOR HANDLE KIT

Handle kit comes with 3 handles.

Handle 1. = Top panels
Handle 2. = Bottom panel

SCREWS

Handles comes with M5 X 1" (25mm) Pan Head Socket Screw (2 or 4 per handle) suits standard 7 1/2" (19mm) panel. Thicker panels may require counterboring or longer screws.



PRODUCT DIMENSIONS	
A	Overall length
B	Overall Height
C	Overall width
D	Distance between attachment holes - outer - inner
E	Thickness/diameter of handle rail
F	Off-stand width
G	Distance between holes

MINIMAL AHM1RD32AB				
1. HANDLE		2. HANDLE		
inch	mm	inch	mm	
28 5/8	727	26 23/32	679	
1 5/8	41	1 5/8	41	
15/32	12	15/32	12	
25 1/2	647.5	23 19/32	599.5	
23 1/8	587	21 7/32	539	
5/8	16	5/8	16	
3 15/16	100	3 15/16	100	
1 3/16	30	1 3/16	30	

CONTEMPORARY AHD7RD32AX				
1. HANDLE		2. HANDLE		
inch	mm	inch	mm	
28 5/8	727	26 23/32	679	
1 11/16	43	1 11/16	43	
9/16	14.5	9/16	14.5	
25 1/2	647.5	23 19/32	599.5	
23 1/8	587	21 7/32	539	
9/16	14.5	9/16	14.5	
3 15/16	100	3 15/16	100	
1 3/16	30	1 3/16	30	

PROFESSIONAL AHP3RD32A				
1. HANDLE		2. HANDLE		
inch	mm	inch	mm	
26 21/32	677	24 3/4	629	
2 9/32	58	2 9/32	58	
1 7/16	37	1 15/32	37.5	
25 1/2	647.5	23 19/32	599.5	
23 1/8	587	21 7/32	539	
1	25.5	1	25.5	
2 3/8	60	2 3/8	60	
1 3/16	30	1 3/16	30	

----- INDICATES PRODUCT DATUM

IMPORTANT NOTE: Throughout this guide, dimensions may vary by ±2mm (1/16"). Please read the installation manual for detailed information on installing the product. For full installation instructions & specifications visit fisherpaykel.com

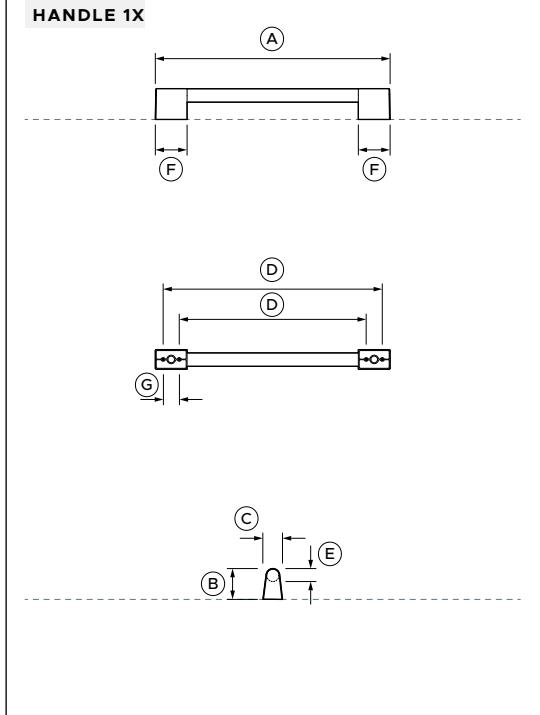
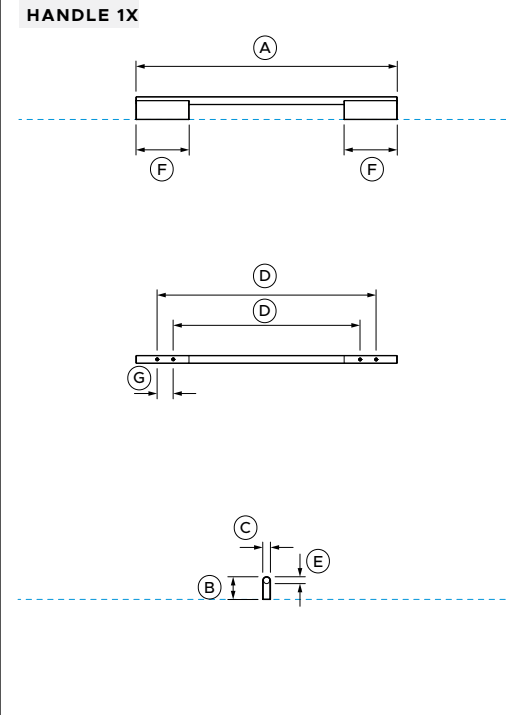
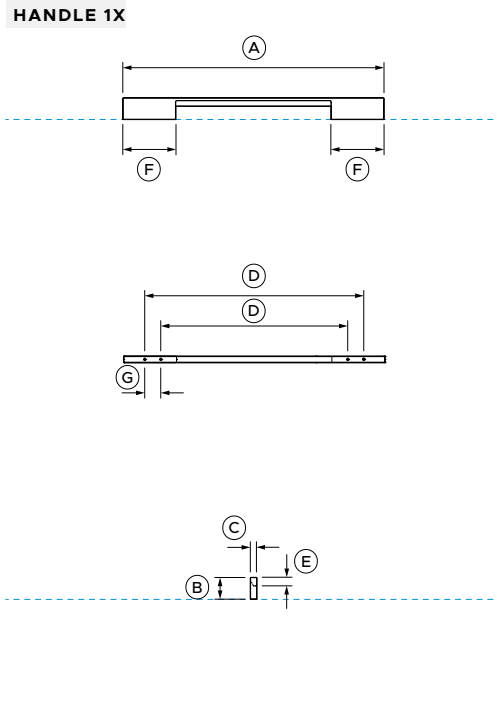
The models shown in this Planning Guide may not be available in all markets and are subject to change at any time. Product specifications may vary from those shown. This Planning Guide should not be used as installation guidance for any product. Further information is required to safely and correctly install the products featured here. Specific installation guidance will be available with the product on delivery and on our website fisherpaykel.com

COOLING - UNDERCOUNTER

Model code comes with 1 handle.

SCREWS

Handles comes with M5 X 1" (25mm) Pan Head Socket Screw (2 or 4 per handle) suits standard 7 1/2" (19mm) panel. Thicker panels may require counterboring or longer screws.



PRODUCT DIMENSIONS	MINIMAL AHM1RD35B		CONTEMPORARY AHD7RD35X		PROFESSIONAL AHP3RD35	
	inch	mm	inch	mm	inch	mm
A Overall length	19 7/16	493.5	19 7/16	493.5	17 15/32	443.5
B Overall Height	1 5/8	41	1 11/16	43	2 9/32	58
C Overall width	15/32	12	9/16	14.5	1 7/16	37
D Distance between attachment holes						
- outer	16 5/16	414	16 5/16	414	16 5/16	414
- inner	13 29/32	353	13 29/32	353	13 29/32	353
E Thickness/diameter of handle rail	5/8	16	9/16	14.5	1	25.5
F Off-stand width	3 15/16	100	3 15/16	100	2 3/8	60
G Distance between holes	1 3/16	30	1 3/16	30	1 3/16	30

----- INDICATES PRODUCT DATUM

IMPORTANT NOTE: Throughout this guide, dimensions may vary by ±2mm (1/16"). Please read the installation manual for detailed information on installing the product. For full installation instructions & specifications visit fisherpaykel.com

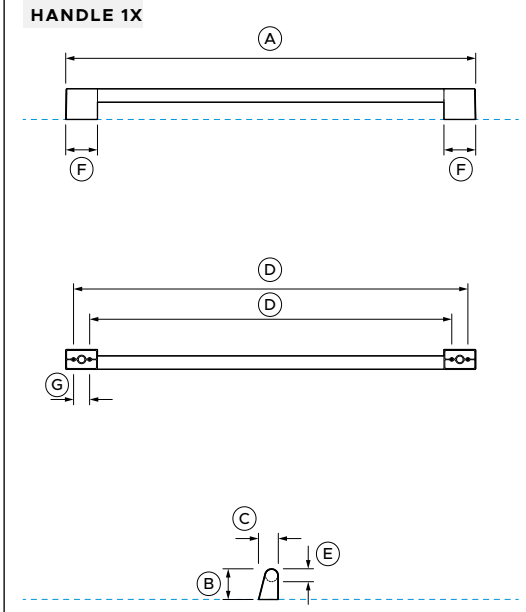
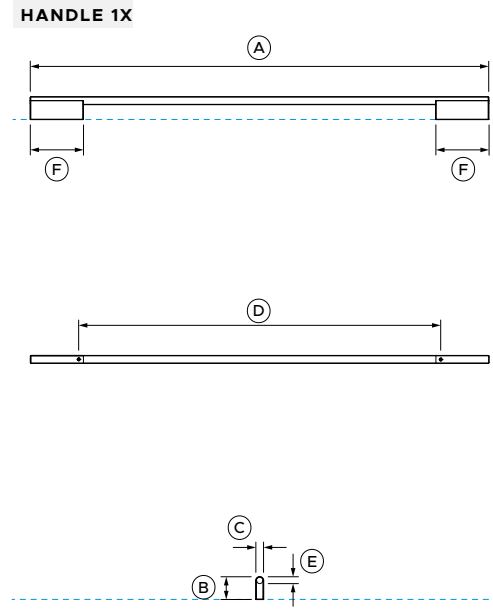
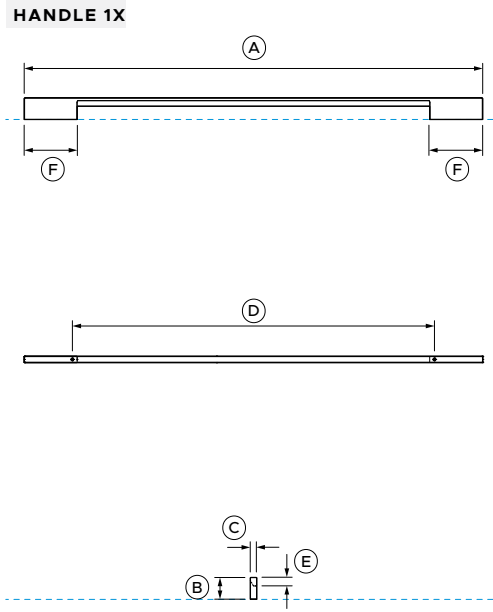
The models shown in this Planning Guide may not be available in all markets and are subject to change at any time. Product specifications may vary from those shown. This Planning Guide should not be used as installation guidance for any product. Further information is required to safely and correctly install the products featured here. Specific installation guidance will be available with the product on delivery and on our website fisherpaykel.com

COOLING - COOLDRAWER™

Model code comes with 1 handle.

SCREWS

Handles comes with M5 X 1" (25mm) Pan Head Socket Screw (2 or 4 per handle) suits standard 7 1/2" (19mm) panel. Thicker panels may require counterboring or longer screws.



MINIMAL

AHM1RD36SB

PRODUCT DIMENSIONS		inch	mm
A	Overall length	34 3/32	866
B	Overall Height	1 5/8	41
C	Overall width	15/32	12
D	Distance between attachment holes	26 15/16	684
E	Thickness/diameter of handle rail	5/8	16
F	Off-stand width	3 15/16	100
G	Distance between holes	-	-

CONTEMPORARY

AHD7RD36SX

PRODUCT DIMENSIONS		inch	mm
A	Overall length	34 3/32	866
B	Overall Height	1 11/16	43
C	Overall width	9/16	14.5
D	Distance between attachment holes	26 15/16	684
E	Thickness/diameter of handle rail	9/16	14.5
F	Off-stand width	3 15/16	100
G	Distance between holes	-	-

PROFESSIONAL

AHP3RD36S

PRODUCT DIMENSIONS		inch	mm
A	Overall length	30 1/2	774.5
B	Overall Height	2 9/32	58
C	Overall width	1 15/32	37.5
D	Distance between attachment holes	outer 29 5/16 inner 26 15/16	outer 745 inner 684
E	Thickness/diameter of handle rail	1	25.5
F	Off-stand width	2 3/8	60
G	Distance between holes	1 3/16	30

----- INDICATES PRODUCT DATUM

IMPORTANT NOTE: Throughout this guide, dimensions may vary by ±2mm (1/16"). Please read the installation manual for detailed information on installing the product. For full installation instructions & specifications visit fisherpaykel.com

The models shown in this Planning Guide may not be available in all markets and are subject to change at any time. Product specifications may vary from those shown. This Planning Guide should not be used as installation guidance for any product. Further information is required to safely and correctly install the products featured here. Specific installation guidance will be available with the product on delivery and on our website fisherpaykel.com

