
VACUUM DRAWER INSTALLATION CONSIDERATIONS

Accessing your product specifications	3
Electrical connection	6
安装考虑事项 CN	8

FISHER & PAYKEL

CN

MINIMAL

VB60SMG3 VB60SMB3

CONTEMPORARY

VB60SCX3

INTEGRATED

VB60SDEI3

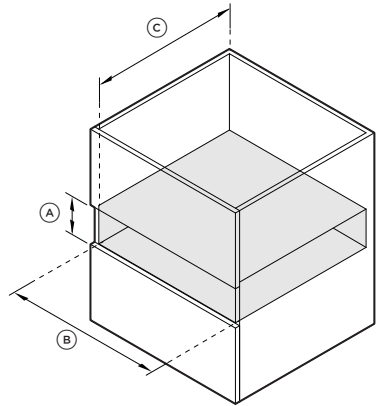
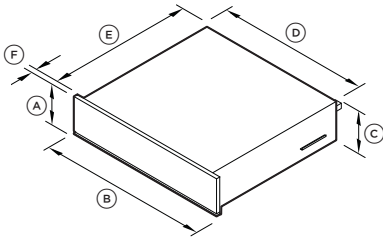
ACCESSING YOUR PRODUCT SPECIFICATIONS



For full product, cabinetry and service specifications, refer to the Planning Guide. To access the Planning Guide, scan the QR code or visit fisherpaykel.com/specify. Search by appliance type, product name or model code.

MINIMAL

VB60SMG3 VB60SMB3



PRODUCT DIMENSIONS	mm
(A) Overall height	140
(B) Overall width*	596
(C) Chassis height	140
(D) Chassis width	556
(E) Chassis depth	545
(F) Control panel thickness	20

CAVITY DIMENSIONS	mm
(A) Minimum inside height of cavity	142
(B) Minimum inside width of cavity	560
(C) Minimum inside depth of cavity*	550
Recommended cabinet height	144
Recommended cabinet width	600

*Measured from front of chassis.

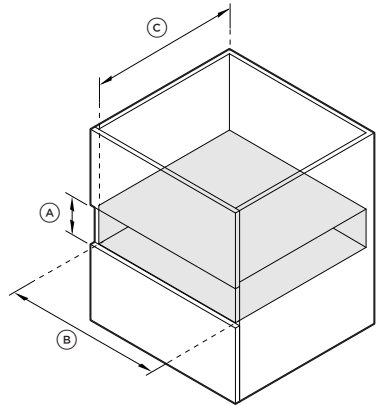
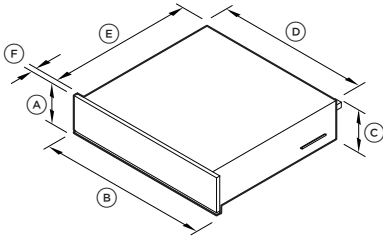
*Including side brackets and anti-tip brackets

ACCESSING YOUR PRODUCT SPECIFICATIONS



For full product, cabinetry and service specifications, refer to the Planning Guide. To access the Planning Guide, scan the QR code or visit fisherpaykel.com/specify. Search by appliance type, product name or model code.

CONTEMPORARY VB60SCX3



PRODUCT DIMENSIONS	mm
(A) Overall height	140
(B) Overall width*	596
(C) Chassis height	140
(D) Chassis width	556
(E) Chassis depth	545
(F) Control panel thickness	20

CAVITY DIMENSIONS	mm
(A) Minimum inside height of cavity	142
(B) Minimum inside width of cavity	560
(C) Minimum inside depth of cavity*	550
Recommended cabinet height	144
Recommended cabinet width	600

*Measured from front of chassis.

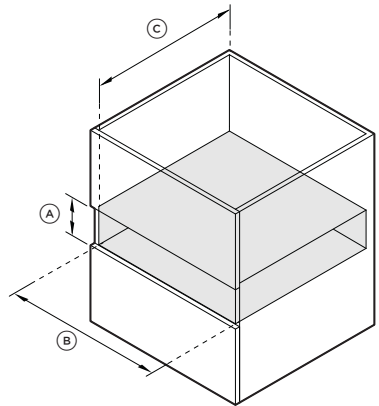
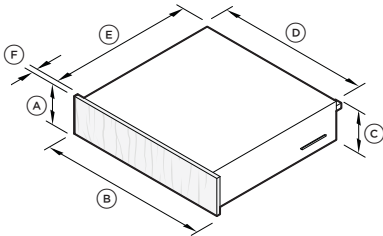
*Including side brackets and anti-tip brackets

ACCESSING YOUR PRODUCT SPECIFICATIONS



For full product, cabinetry and service specifications, refer to the Planning Guide. To access the Planning Guide, scan the QR code or visit fisherpaykel.com/specify. Search by appliance type, product name or model code.

INTEGRATED VB60SDEI3



PRODUCT DIMENSIONS	mm
A Overall height	140
B Overall width*	596
C Chassis height	140
D Chassis width	559
E Chassis depth	563
F Control panel thickness	min 16

CAVITY DIMENSIONS	mm
A Minimum inside height of cavity	142
B Minimum inside width of cavity	560
C Minimum inside depth of cavity*	570
Recommended cabinet height	144
Recommended cabinet width	600

*Measured from front of chassis.

*Including side brackets and anti-tip brackets

ELECTRICAL CONNECTION

SPECIFICATIONS	VB60 MODELS
SERVICE (A)	10
SUPPLY (Hz)	50
VOLTAGE (V)	220 - 240V

