

**24" CONTEMPORARY OVENS AND  
COMPANIONS**

---

**PLANNING GUIDE**

---

**SERIES 7 SELF-CLEANING OVEN | OB24SACPTDX5**

**SERIES 7 COMPACT CONVECTION-SPEED OVEN | OM24NCTDX5**

**SERIES 9 WARMING DRAWER | WB24SCX3**

# CONTENTS | 24" OVENS AND COMPANIONS

## INTRODUCTION

This comprehensive planning guide provides you with the framework and tools to achieve your desired design outcome with Fisher & Paykel appliances. In this guide, you will find a range of conceptual, detailed, and dimensional product information to bring your ideas to life and create spaces that truly reflect your vision.

## SUPPORT

For additional design planning and installation support please contact the Fisher & Paykel design support team.  
**designsupport@fisherpaykel.com**

## NOTES

The models shown in this Planning Guide may not be available in all markets and are subject to change at any time. Refer to our website [fisherpaykel.com](http://fisherpaykel.com) for the latest document version. Product specifications may vary from those shown.  
 This Planning Guide should not be used as installation guidance for any product. Specific installation guidance will be available with the product on delivery and on our website.

CONCEPT DESIGN	PAGE
----------------	------

### DESIGN CHOICE

Styles	4
Contemporary Style	5
Installation Options	6
Overview	7

### SPECIFICATION GUIDE

Self-Cleaning Oven	9
Compact Convection-Speed Oven	10
Warming Drawer	11
Dimensions	12
Services	13

DEVELOPED AND DETAILED DESIGN	PAGE
-------------------------------	------

### DATA SHEETS

Self-Cleaning Oven	15
Compact Convection-Speed Oven	16
Warming Drawer	17

DEVELOPED AND DETAILED DESIGN	PAGE
-------------------------------	------

### PLANNING CONSIDERATIONS

Cabinetry Preparation	19
Ventilation	20
Stack Height	21

### SERVICES

Power Connection and Electrical	23
---------------------------------	----

## DESIGN CHOICE



**MINIMAL STYLE - HANDLELESS**

**MINIMAL STYLE**

**CONTEMPORARY STYLE**

Celebrating a singular aesthetic to blend seamlessly into the kitchen, Minimal style ovens feature subtle textural and tonal contrasts for a sense of refinement and purity.

Defined by clean lines and timeless design cues, Contemporary style ovens bring a sense of balance and refinement. A versatile aesthetic that complements a range of kitchen styles.

This Planning Guide is for the Contemporary Style featuring 24" Ovens and Companions. For information on other styles, please visit the Fisher and Paykel website. To see what models are available, head to the 'Overview' section in this Planning Guide.

The models shown in this Planning Guide may not be available in all markets and are subject to change at any time. Product specifications may vary from those shown. This Planning Guide should not be used as installation guidance for any product. Further information is required to safely and correctly install the products featured here. Specific installation guidance will be available with the product on delivery and on our website [fisherpaykel.com](http://fisherpaykel.com)

FINISH

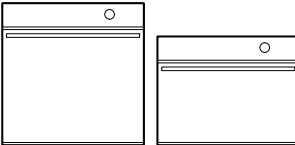


Brushed Silver Glass

OVENS

SELF-CLEANING

CONVECTION-SPEED

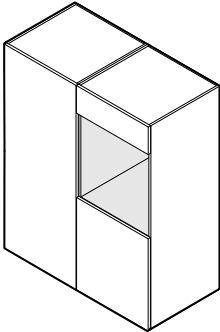


COMPANIONS

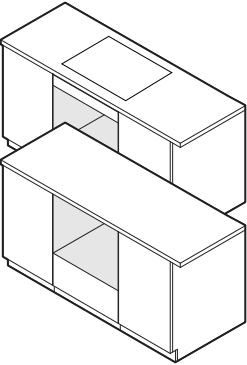
WARMING DRAWER



INSTALLATION OPTIONS



Installation in wall



Installation under-bench

The models shown in this Planning Guide may not be available in all markets and are subject to change at any time. Product specifications may vary from those shown. This Planning Guide should not be used as installation guidance for any product. Further information is required to safely and correctly install the products featured here. Specific installation guidance will be available with the product on delivery and on our website [fisherpaykel.com](http://fisherpaykel.com)

**CONSIDERATIONS**

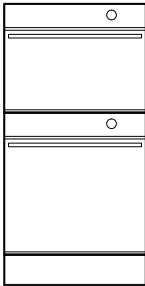
Different configurations possible, consider heights for grid and row installations.

**STACK HEIGHT**

Stack Height is overall product height with minimum clearance above appliance front panel to upper cabinetry front panel or appliance.

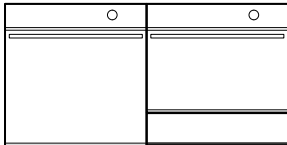
**STACKED INSTALLATION**

Stack Height  
47 1/4" (1200mm)



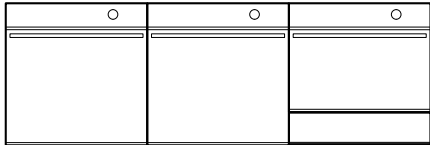
**GRID INSTALLATION**

Stack Height  
23 5/8" (600mm)



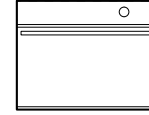
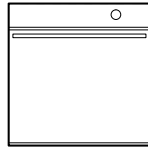
**ROW INSTALLATION**

Stack Height  
23 5/8" (600mm)

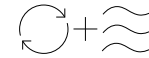
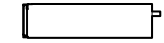
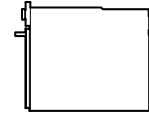
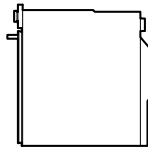


The models shown in this Planning Guide may not be available in all markets and are subject to change at any time. Product specifications may vary from those shown. This Planning Guide should not be used as installation guidance for any product. Further information is required to safely and correctly install the products featured here. Specific installation guidance will be available with the product on delivery and on our website [fisherpaykel.com](http://fisherpaykel.com)

**FRONT ELEVATION**



**SIDE ELEVATION**



Series	
Brushed Silver Glass Models	
Interface	
Overall Height	
Overall Width	
Control Panel/Front Panel Thickness	

	SELF-CLEANING OVEN
	Series 7
	OB24SACPTDX5
	5" Touchscreen
	23 9/16" (598mm)
	23 7/16" (596mm)
	13/16" (20mm)

	COMPACT CONVECTION-SPEED OVEN
	Series 7
	OM24NCTDX5
	5" Touchscreen
	18" (458mm)
	23 7/16" (596mm)
	13/16" (20mm)

	WARMING DRAWER
	Series 9
	WB24SCX3
	-
	5 1/2" (140mm)
	23 7/16" (596mm)
	13/16" (20mm)

The models shown in this Planning Guide may not be available in all markets and are subject to change at any time. Product specifications may vary from those shown. This Planning Guide should not be used as installation guidance for any product. Further information is required to safely and correctly install the products featured here. Specific installation guidance will be available with the product on delivery and on our website [fisherpaykel.com](http://fisherpaykel.com)

# **SPECIFICATION GUIDE**

## SERIES 7 & 9



**OVERVIEW**

Designed to be distinctive and timeless, this Contemporary oven matches with our Contemporary style family of appliances. The pyrolytic self-cleaning function breaks down food residue for an easy clean, while precise cooking methods with temperature and heat type recommendations for a wide range of food types are easily accessed via the touch screen and SmartHQ™.

**PRODUCTS**

**OB24SACPTDX5**  
24" Series 7 Contemporary Self-Cleaning Oven

**SERIES & STYLE**

Series 7  
Contemporary

**ACCESSORIES**

- 1 Self-cleaning Proof Side Ladders
- 2 Telescopic Sliding Runners
- 3 Wire Shelf (x2)

**FEATURES**

- 1 Contemporary style is distinctive and timeless. Designed to match with our Contemporary style family of appliances
- 2 Self-cleaning pyrolytic function breaks down food residue for an easy clean
- 3 Premium soft open and close door
- 4 Generous 2.5 cu ft useable capacity
- 5 5" touchscreen is intuitive and easy to use
- 6 Create perfect results with precise cooking methods, with temperature and heat type recommendations for your food type
- 7 Moisture control and even heat distribution thanks to ActiveVent™ and AeroTech™ technology
- 8 Includes a wired temperature sensor for real-time monitoring of cooking temperatures
- 9 Connected capability via the SmartHQ™ app gives control & visibility from anywhere at anytime

**ACCESSORIES**

- 4 Multi-functional Air Fry Tray
- 5 Roasting Dish
- 6 Wired Temperature Sensor



The models shown in this Planning Guide may not be available in all markets and are subject to change at any time. Product specifications may vary from those shown. This Planning Guide should not be used as installation guidance for any product. Further information is required to safely and correctly install the products featured here. Specific installation guidance will be available with the product on delivery and on our website [fisherpaykel.com](http://fisherpaykel.com)



**OVERVIEW**

Designed to be distinctive and timeless, this Contemporary oven matches with our Contemporary style family of appliances. Versatile cooking options including microwave or convection offer efficient heating across a variety of dishes. Precise cooking methods with temperature and heat type recommendations for a wide range of food types are easily accessed via the touch screen and SmartHQ™.

**PRODUCTS**

**OM24NCTDX5**  
24" Series 7 Contemporary Compact Convection-Speed Oven

**SERIES & STYLE**

Series 7  
Contemporary

**ACCESSORIES**

- 1 Chrome Side Ladders
- 2 Wire Shelf
- 3 Step Down Wire Shelf
- 4 Glass Tray
- 5 Broil Rack
- 6 Wired Temperature Sensor

**FEATURES**

- 1 Contemporary style is distinctive and timeless. Designed to match with our Contemporary style family of appliances
- 2 Combines fast microwave cooking with even convection heat for versatile, efficient heating across a variety of dishes
- 3 With soft open and close, the CoolTouch door is safe to touch from the outside - protecting hands and surrounding cabinetry
- 4 Compact 1.3 cu ft useable capacity
- 5 5" touchscreen is intuitive and easy to use
- 6 Create perfect results with precise cooking methods, with temperature and heat type recommendations for your food type
- 7 Versatile microwave only, convection only or combi-microwave functions to suit a range of cooking styles
- 8 Includes a wired temperature sensor for real-time monitoring of cooking temperatures
- 9 Connected capability via the SmartHQ™ app gives control & visibility from anywhere at anytime



The models shown in this Planning Guide may not be available in all markets and are subject to change at any time. Product specifications may vary from those shown. This Planning Guide should not be used as installation guidance for any product. Further information is required to safely and correctly install the products featured here. Specific installation guidance will be available with the product on delivery and on our website [fisherpaykel.com](http://fisherpaykel.com)



**OVERVIEW**

Designed to be distinctive and timeless, this Warming Drawer matches with our Contemporary style family of appliances. Featuring a push-to-open mechanism, intuitive touch controls, and a smooth glass base for easy cleaning. With six tailored programmes and space for 6 place settings, it keeps meals ready to serve.

**PRODUCTS**

**WB24SCX3**  
24" Series 9 Contemporary Warming Drawer

**FEATURES**

- 1** Contemporary style is distinctive and timeless. Designed to match with our Contemporary style family of appliances
- 2** Push-to-open drawer, designed for added convenience
- 3** Simple and intuitive touch controls for effortless operation
- 4** Easy-to-clean glass base
- 5** Automatic switch-off and delayed start functionality to help keep dishes warm until it is time to serve
- 6** Room for 6 standard-sized place settings
- 7** Six tailored programmes including Warming, Proofing, Dehydrating, and Slow Cooking offer convenience and flexibility



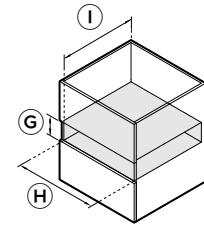
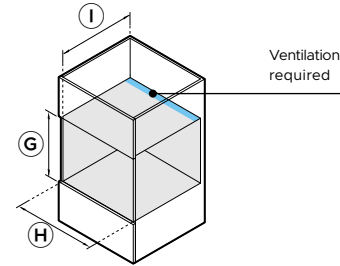
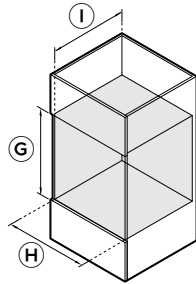
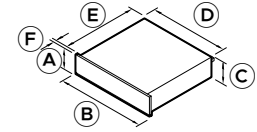
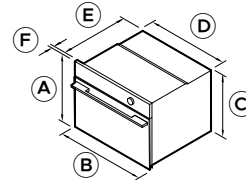
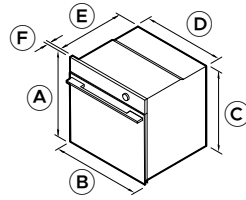
**SERIES & STYLE**

Series 9  
Contemporary

The models shown in this Planning Guide may not be available in all markets and are subject to change at any time. Product specifications may vary from those shown. This Planning Guide should not be used as installation guidance for any product. Further information is required to safely and correctly install the products featured here. Specific installation guidance will be available with the product on delivery and on our website [fisherpaykel.com](http://fisherpaykel.com)

**PRODUCT DIMENSIONS**

**CAVITY DIMENSIONS**



PRODUCT DIMENSIONS	
<b>A</b> Overall product height	
<b>B</b> Overall product width	
<b>C</b> Chassis height	
<b>D</b> Chassis width	
<b>E</b> Chassis depth	
<b>F</b> Front frame depth (excludes handle)	
Front panel height	
Front panel width	
Door open depth at 90° (from product front)	
Drawer extension	

SELF-CLEANING OVEN OB24SACPTDX5		
	inch	mm
<b>A</b> Overall product height	23 9/16	598
<b>B</b> Overall product width	23 7/16	596
<b>C</b> Chassis height	22 5/8	575
<b>D</b> Chassis width	21 7/8	556
<b>E</b> Chassis depth	21 7/16	545
<b>F</b> Front frame depth (excludes handle)	13/16	20
Front panel height	-	-
Front panel width	-	-
Door open depth at 90° (from product front)	18 1/4	463
Drawer extension	-	-

COMPACT CONVECTION-SPEED OVEN OM24NCTDX5		
	inch	mm
<b>A</b> Overall product height	18	458
<b>B</b> Overall product width	23 7/16	596
<b>C</b> Chassis height	17 1/8	435
<b>D</b> Chassis width	21 7/8	556
<b>E</b> Chassis depth	21 7/16	545
<b>F</b> Front frame depth (excludes handle)	13/16	20
Front panel height	-	-
Front panel width	-	-
Door open depth at 90° (from product front)	12 3/4	324
Drawer extension	-	-

WARMING DRAWER WB24SCX3		
	inch	mm
<b>A</b> Overall product height	5 1/2	140
<b>B</b> Overall product width	23 7/16	596
<b>C</b> Chassis height	5 1/2	140
<b>D</b> Chassis width	21 3/8	543
<b>E</b> Chassis depth	21 9/17*	547*
<b>F</b> Front frame depth (excludes handle)	13/16	20
Front panel height	5 3/8	136
Front panel width	23 7/16	596
Door open depth at 90° (from product front)	-	-
Drawer extension	max 16 5/16	max 414

\*Including power plug.

CAVITY DIMENSIONS	
<b>G</b> Cavity height	
<b>H</b> Cavity width	
<b>I</b> Cavity depth (from chassis front datum)	

	inch	mm
<b>G</b> Cavity height	min 22 13/16	min 580
<b>H</b> Cavity width	min 22 1/16	min 560
<b>I</b> Cavity depth (from chassis front datum)	min 21 5/8	min 550

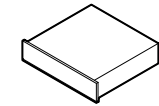
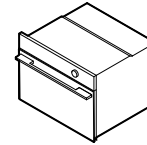
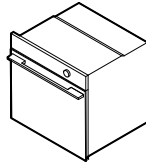
	inch	mm
<b>G</b> Cavity height	min 17 5/16	min 440
<b>H</b> Cavity width	min 22 1/16	min 560
<b>I</b> Cavity depth (from chassis front datum)	min 21 5/8*	min 550*

	inch	mm
<b>G</b> Cavity height	min 5 9/16	min 142
<b>H</b> Cavity width	min 22 1/16	min 560
<b>I</b> Cavity depth (from chassis front datum)	min 21 5/8	min 550

\*Minimum total ventilation area of 43.4in (280cm<sup>2</sup>) is required. The ventilation opening must be located at the rear of the cavity and may be positioned at the base, sides, or top of the cavity.  
Note: 24" Fisher & Paykel ovens can be installed directly onto the drawer. An intermediate shelf is not required.

The models shown in this Planning Guide may not be available in all markets and are subject to change at any time. Product specifications may vary from those shown. This Planning Guide should not be used as installation guidance for any product. Further information is required to safely and correctly install the products featured here. Specific installation guidance will be available with the product on delivery and on our website [fisherpaykel.com](http://fisherpaykel.com)

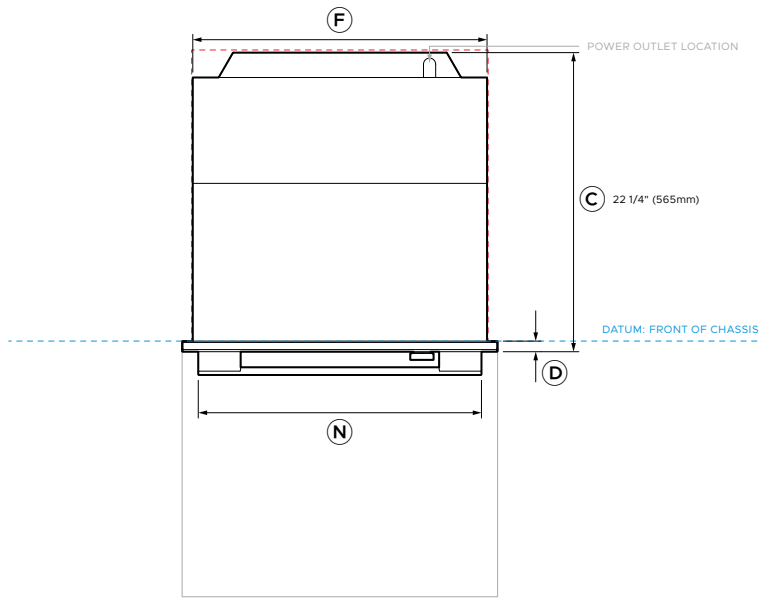
ISOMETRIC VIEW



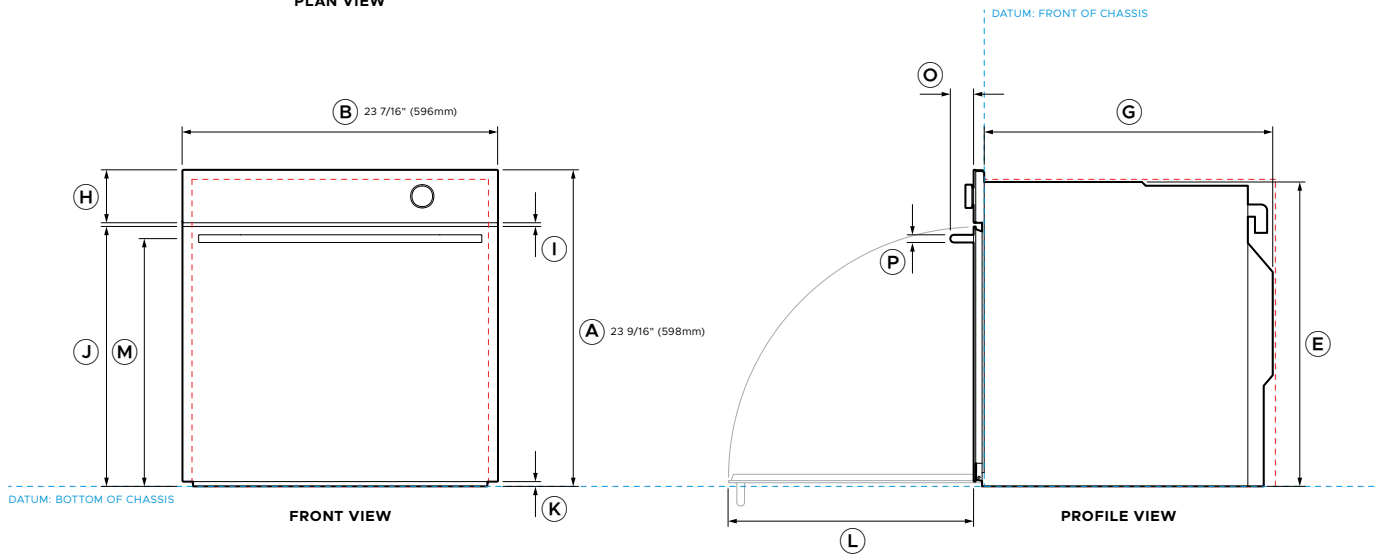
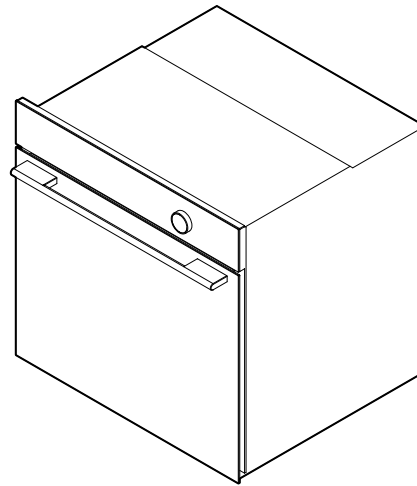
	SELF-CLEANING OVEN OB24SACPTDX5	COMPACT CONVECTION-SPEED OVEN OM24NCTDX5	WARMING DRAWER WB24SCX3
<b>PRODUCT REQUIREMENTS</b>			
Dedicated Circuit (A)	20	20	15
Rated Power (W)	4200 / 3200	3300 / 3900	930
Supply (Hz)	60	60	60
Voltage (V)	208 / 240	208 / 240	120
Connection	Hard-wired 48" (1220mm)*	Hard-wired 70 7/8" (1800mm)*	Flex cord 70 7/8" (1800mm)*
*Supplied with product. Note: For multi-residential installations, use the Rated Power to calculate the demand.			
<b>CAPACITY</b>			
Total Oven capacity	3cu ft (85L)	1.7cu ft (49L)	-
Total water tank capacity	-	-	-
Note: All Coffee Makers has internal water tanks which need to be filled manually. No external water supply is required.			
<b>WEIGHTS</b>			
Packaged	119lb (54kg)	106lb (48kg)	40lb (18kg)
Unpackaged	99lb (45kg)	84lb (38kg)	37lb (17kg)

The models shown in this Planning Guide may not be available in all markets and are subject to change at any time. Product specifications may vary from those shown. This Planning Guide should not be used as installation guidance for any product. Further information is required to safely and correctly install the products featured here. Specific installation guidance will be available with the product on delivery and on our website [fisherpaykel.com](http://fisherpaykel.com)

## DATA SHEETS

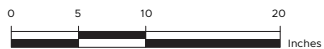


PLAN VIEW



FRONT VIEW

PROFILE VIEW



**Model no:**

**OB24SACPTDX5**

24" Series 7 Contemporary Self-Cleaning Oven

**Product Dimensions**

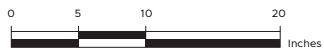
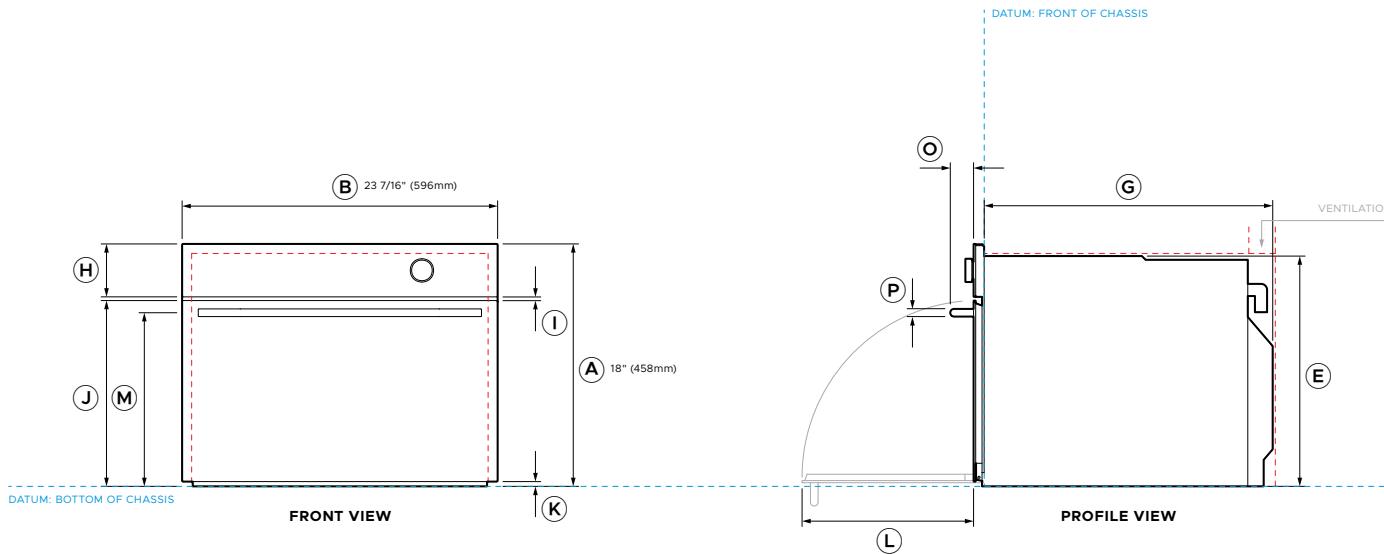
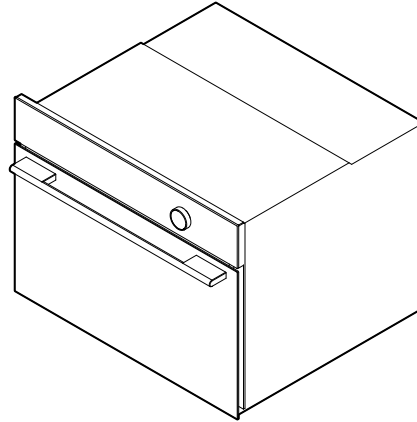
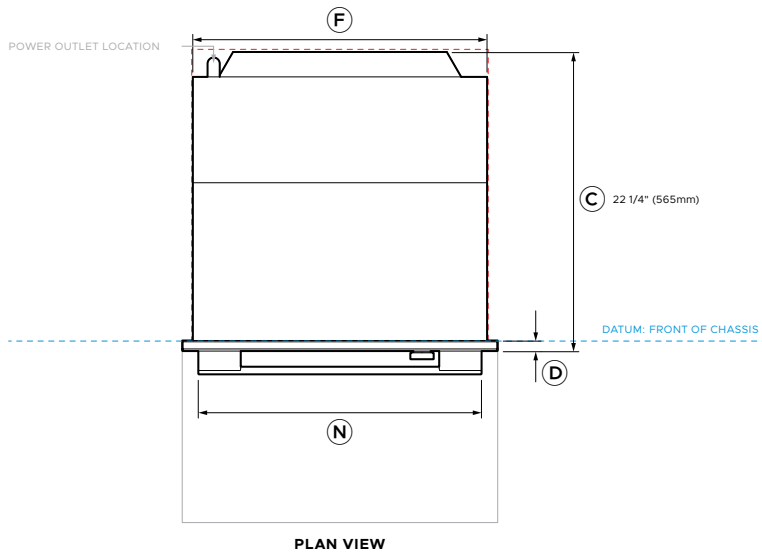
	inch	mm
<b>A</b> Overall product height	23 9/16	598
<b>B</b> Overall product width	23 7/16	596
<b>C</b> Overall product depth (excludes handle)	22 1/4	565
<b>D</b> Front frame depth (excludes handle)	13/16	20
<b>E</b> Chassis height	22 5/8	575
<b>F</b> Chassis width	21 7/8	556
<b>G</b> Chassis depth	21 7/16	545
<b>H</b> Control panel height	3 15/16	100
<b>I</b> Door-to-control panel gap	9/32	7
<b>J</b> Door upper edge height (from chassis base datum)	19 5/16	491
<b>K</b> Door lower edge height (from chassis base datum)	3/8	9
<b>L</b> Door open depth at 90° (from product front)	8 1/4	463
<b>M</b> Handle centreline height (from chassis base datum)	18 7/16	468
<b>N</b> Handle width	21 1/16	535
<b>O</b> Handle depth (projection)	1 3/4	44
<b>P</b> Handle thickness	5/8	15

**Minimum Clearances**

	inch	mm
Cavity height	min 22 13/16	min 580
Cavity width	min 22 1/16	min 560
Cavity depth (from chassis front datum)	min 21 5/8	min 550
Front frame clearance - top & sides	min 1/16	min 2

----- INDICATES PRODUCT DATUM  
 ----- INDICATES CABINETRY CLEARANCES

IMPORTANT NOTE: Throughout this guide, dimensions may vary by ±2mm (1/16"). Please read the installation manual for detailed information on installing the product. For full installation instructions & specifications visit [fisherpaykel.com](http://fisherpaykel.com)



**Model no:**

**OM24NCTDX5**

24" Series 7 Contemporary Compact Convection-Speed Oven

Product Dimensions		inch	mm
<b>A</b>	Overall product height	18	458
<b>B</b>	Overall product width	23 7/16	596
<b>C</b>	Overall product depth (excludes handle)	22 1/4	565
<b>D</b>	Front frame depth (excludes handle)	13/16	20
<b>E</b>	Chassis height	17 1/8	435
<b>F</b>	Chassis width	21 7/8	556
<b>G</b>	Chassis depth	21 7/16	545
<b>H</b>	Control panel height	3 15/16	100
<b>I</b>	Door-to-control panel gap	9/32	7
<b>J</b>	Door upper edge height (from chassis base datum)	13 13/16	351
<b>K</b>	Door lower edge height (from chassis base datum)	3/8	9
<b>L</b>	Door open depth at 90° (from product front)	12 3/4	324
<b>M</b>	Handle centreline height (from chassis base datum)	12 29/32	328
<b>N</b>	Handle width	21 1/16	535
<b>O</b>	Handle depth (projection)	1 3/4	44
<b>P</b>	Handle thickness	5/8	15

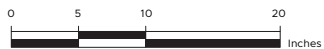
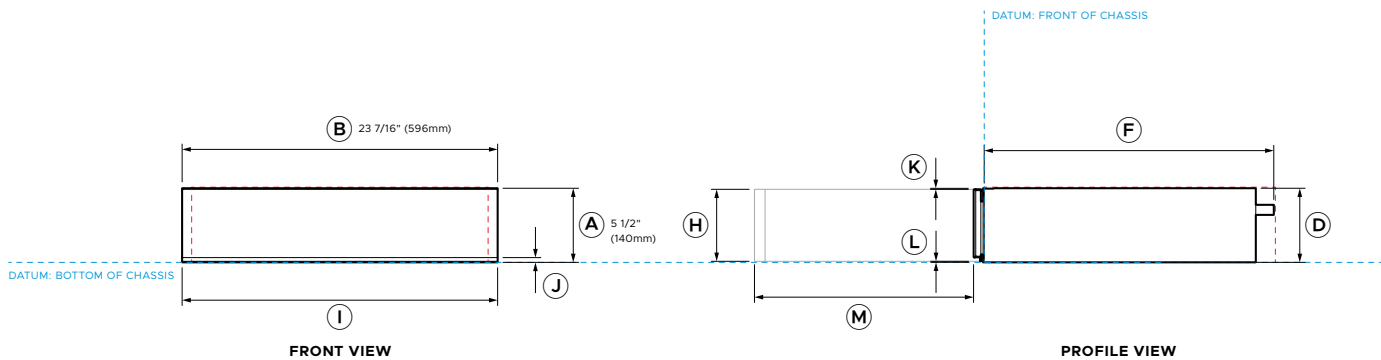
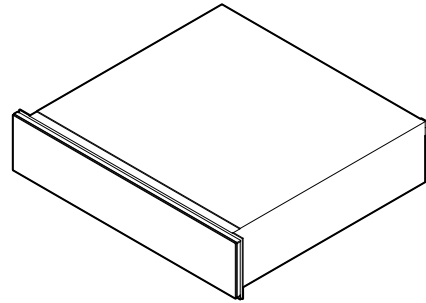
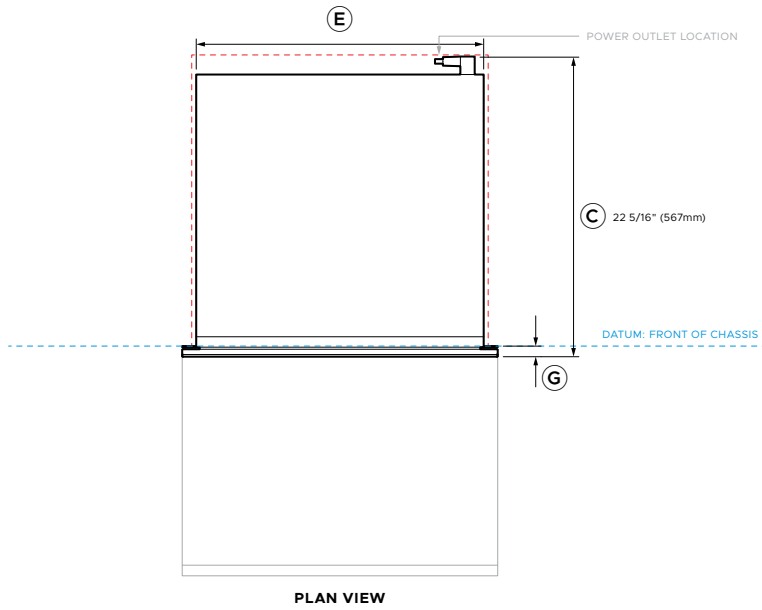
Minimum Clearances		inch	mm
Cavity height		min 17 5/16	min 440
Cavity width		min 22 1/16	min 560
Cavity depth (from chassis front datum)		min 21 5/8	min 550
Front frame clearance - top & sides		min 1/16	min 2

Ventilation Requirements		inch	mm
Rear ventilation opening height*		min 2	min 50
Rear ventilation opening width*		min 22 1/16	min 560

\*Minimum total ventilation area of 43.4in<sup>2</sup> (280cm<sup>2</sup>) is required. The ventilation opening must be located at the rear of the cavity and may be positioned at the base, sides, or top of the cavity.

----- INDICATES PRODUCT DATUM  
 ----- INDICATES CABINETRY CLEARANCES

IMPORTANT NOTE: Throughout this guide, dimensions may vary by ±2mm (1/16"). Please read the installation manual for detailed information on installing the product. For full installation instructions & specifications visit [fisherpaykel.com](http://fisherpaykel.com)



**Model no:**  
**WB24SCX3** 24" Series 9 Contemporary Warming Drawer

Product Dimensions		inch	mm
<b>A</b>	Overall product height	5 1/2	140
<b>B</b>	Overall product width	23 7/16	596
<b>C</b>	Overall product depth (includes power plug)	22 5/16	567
<b>D</b>	Chassis height	5 1/2	140
<b>E</b>	Chassis width	21 3/8	543
<b>F</b>	Chassis depth	21 9/17	547
<b>G</b>	Front frame depth (includes flange and front panel)	13/16	20
<b>H</b>	Front panel height	5 3/8	136
<b>I</b>	Front panel width	23 7/16	596
<b>J</b>	Front panel lower visual edge height (from chassis base datum)	3/8	9
<b>K</b>	Front panel upper edge to top of chassis	1/16	2
<b>L</b>	Front panel lower true edge height (from chassis base datum)	1/16	2
<b>M</b>	Drawer extension	max 16 5/16	max 414

Minimum Clearances		inch	mm
Cavity height			
- standalone installation		min 5 9/16	min 142
- stack installation		5 1/2	140
Cavity width		min 22 1/16	min 560
Cavity depth (from chassis front datum)		min 21 5/8	min 550
Front frame clearance - top & sides		min 1/16	min 2

Note: 24" Fisher & Paykel ovens can be installed directly onto the drawer. An intermediate shelf is not required.

----- INDICATES PRODUCT DATUM  
----- INDICATES CABINETRY CLEARANCES

IMPORTANT NOTE: Throughout this guide, dimensions may vary by ±2mm (1/16"). Please read the installation manual for detailed information on installing the product. For full installation instructions & specifications visit [fisherpaykel.com](http://fisherpaykel.com)

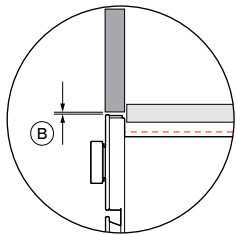
## PLANNING CONSIDERATIONS

**CABINETS CLEARANCES**

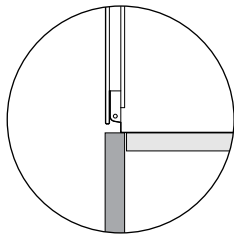
CLEARANCES		inch	mm
<b>A</b>	Front/custom panel clearance - sides	min 1/16	min 2
<b>B</b>	Front/custom panel clearance - top	min 1/16	min 2

**UNDERBENCH**

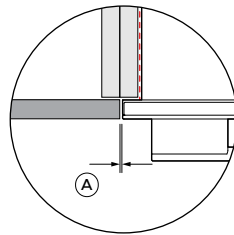
If installing a cooktop above the oven, ensure adequate clearance is provided for the cooktop as per the cooktop manufacturer's instructions.



**DETAIL 1**  
PROFILE VIEW

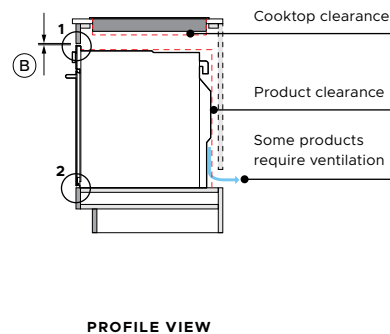
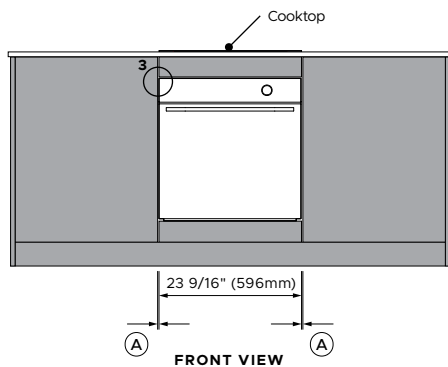


**DETAIL 2**  
PROFILE VIEW



**DETAIL 3**  
PLAN VIEW

Products require no bottom clearance between product to cabinetry front panel or appliance.



**INSTALLATION**

**SINGLE**

Head to the 'Data Sheets' section in this Planning Guide for details.

**STACKED OR GRID**

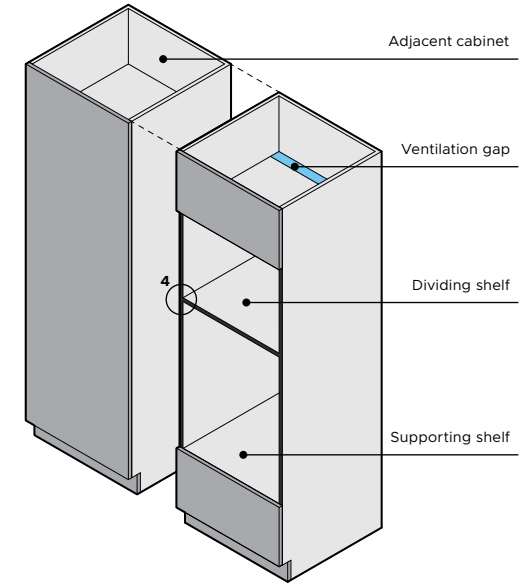
Head to the 'Stack Height' section in this Planning Guide for details.

**BLACK CLASHING**

Black edge clashing is recommended on all front facing panels and openings at product locations, and on side cabinet panels where a rebated exists.

**DIVIDING SHELF**

If the appliance front panel is thicker than the cabinetry front panel, adjust the dividing shelf depth to ensure the oven sits flush with the front of the cabinetry.

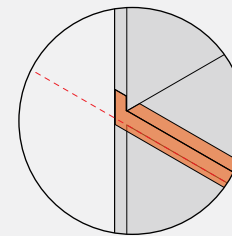


**OVEN CABINETS TRIM (OPTIONAL)**

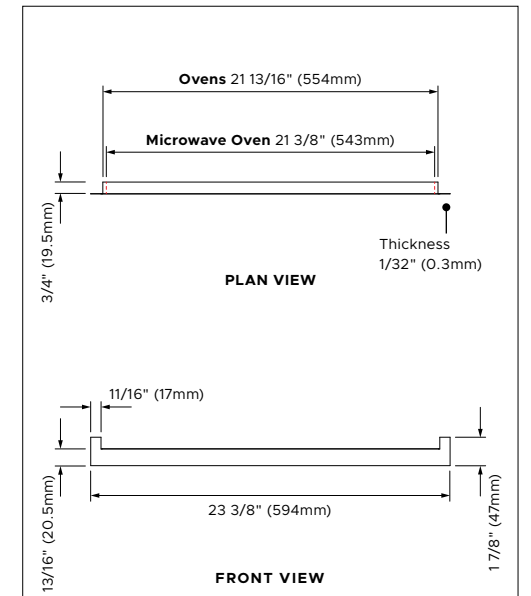
An optional black cabinetry trim is supplied with all ovens.

Prior to installation, check the trim height against dividing or supporting shelves. If required, score and cut the trim to the appropriate height to prevent interference.

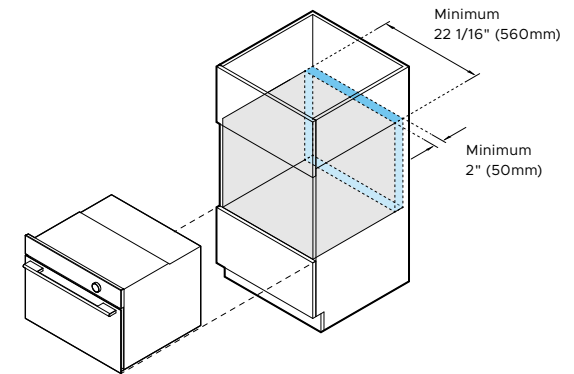
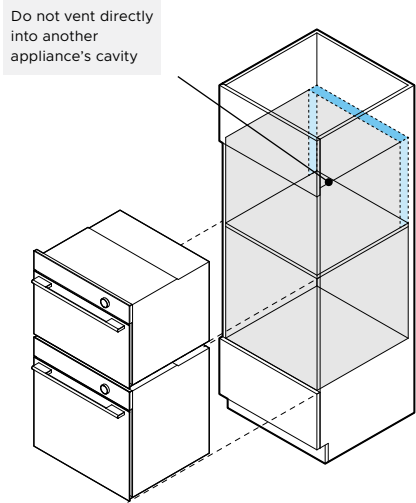
Note: Microwave ovens has a different trim width. Ensure the correct trim is used for each appliance.



**DETAIL 4**  
ISOMETRIC VIEW



The models shown in this Planning Guide may not be available in all markets and are subject to change at any time. Product specifications may vary from those shown. This Planning Guide should not be used as installation guidance for any product. Further information is required to safely and correctly install the products featured here. Specific installation guidance will be available with the product on delivery and on our website fisherpaykel.com



Options for total minimum ventilation area

**VENTILATION**

Ventilation is required to ensure proper performance of certain products.

**Possible Venting Locations:**

- Space behind the cabinet
- Upper cavity (not a product cavity)
- Toe kick cavity
- Adjacent cabinetry (not a product cavity)

**Cabinet with back panel or installed against a wall:**

Select one of the venting locations listed above, providing the required minimum ventilation area.

**Cabinet without back panel:**

If the cabinet is manufactured without a back panel and is not positioned directly against a wall, the open back will provide sufficient ventilation.

Do not vent directly into another appliance's cavity.

**COMPACT CONVECTION-SPEED OVEN**

OM24NCUDX5

**VENTILATION PLACEMENT**

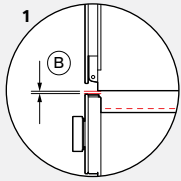
Total minimum ventilation area	43.4in (280cm <sup>2</sup> ) or 2" x 22 1/16" (50mm x 560mm)
Cavity venting options	base, sides, top or back

The models shown in this Planning Guide may not be available in all markets and are subject to change at any time. Product specifications may vary from those shown. This Planning Guide should not be used as installation guidance for any product. Further information is required to safely and correctly install the products featured here. Specific installation guidance will be available with the product on delivery and on our website [fisherpaykel.com](http://fisherpaykel.com)

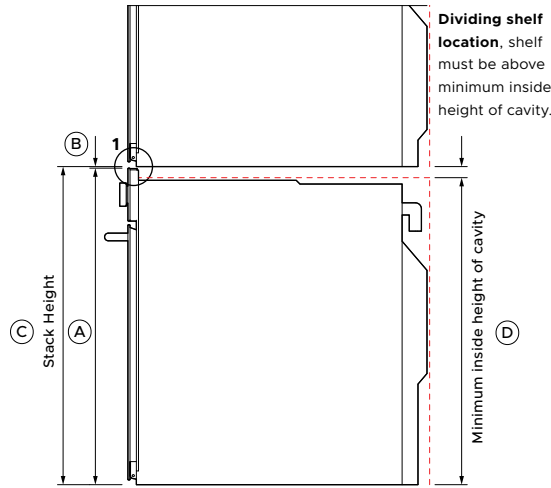
**STACK HEIGHT**

Stack height is overall product height with minimum clearance above appliance control panel or front panel.

$$\begin{array}{r}
 \text{A Overall product height} \\
 + \\
 \text{B Minimum top clearance above appliance front/custom panel to upper} \\
 \text{appliance} \\
 = \\
 \text{C Stack Height}
 \end{array}$$



**DETAIL 1**  
PROFILE VIEW



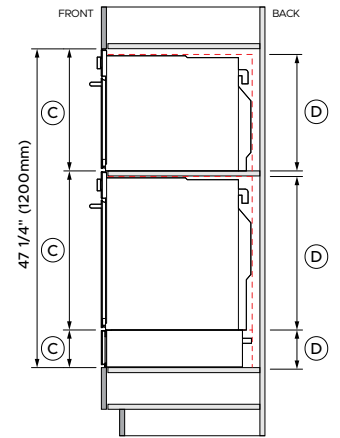
**PROFILE VIEW**

**Ventilation** air vent is required at rear of cabinetry for some products.

**Dividing shelves** are required to support stacked appliances and to achieve correct clearance.

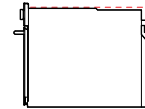
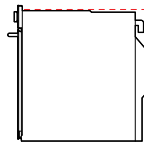
**Dividing shelves** must be constructed from material that will support the weight of the appliances. Ensure the product is not bearing any weight from cabinetry or products installed above.

**Drawers** can fully support a 24" Fisher & Paykel ovens. An intermediate shelf is not required.



**EXAMPLE**  
PROFILE VIEW

**MINIMUM INSIDE HEIGHT OF CAVITY**



DIMENSIONS	
<b>A</b> Overall product height	23 9/16
<b>B</b> Minimum top clearance above appliance front/custom panel	1/16
<b>C</b> Stack height	23 5/8
<b>D</b> Minimum cavity height	22 13/16

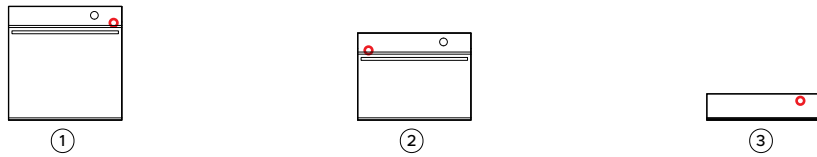
SELF-CLEANING OVEN OB24SACPTDX5		
	inch	mm
<b>A</b> Overall product height	23 9/16	598
<b>B</b> Minimum top clearance above appliance front/custom panel	1/16	2
<b>C</b> Stack height	23 5/8	600
<b>D</b> Minimum cavity height	22 13/16	580

COMPACT CONVECTION-SPEED OVEN OM24NCTDX5		
	inch	mm
<b>A</b> Overall product height	18	458
<b>B</b> Minimum top clearance above appliance front/custom panel	1/16	2
<b>C</b> Stack height	18 1/8	460
<b>D</b> Minimum cavity height	17 5/16	440

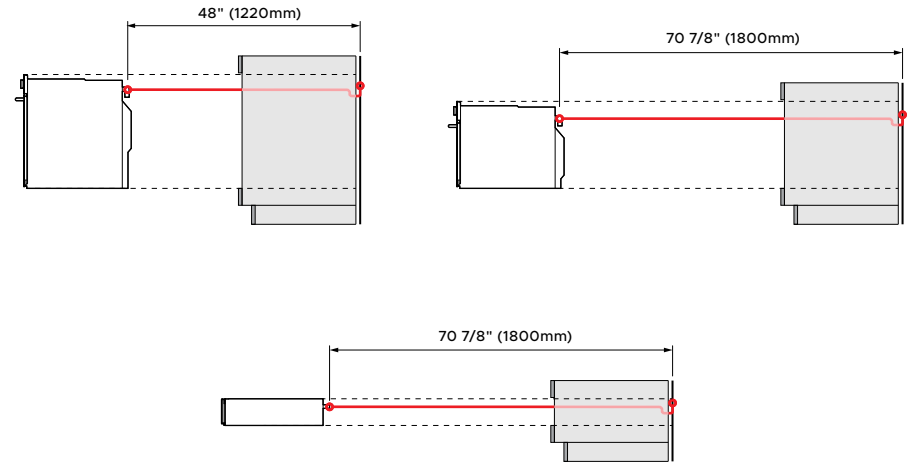
WARMING DRAWER WB24SCX3		
	inch	mm
<b>A</b> Overall product height	5 1/2	140
<b>B</b> Minimum top clearance above appliance front/custom panel	-	-
<b>C</b> Stack height	5 1/2	140*
<b>D</b> Minimum cavity height	5 1/2	140

\*24" Fisher & Paykel ovens can be installed directly onto the drawer. An intermediate shelf is not required. Note: Standalone installation of drawers require minimum clearance above, head to 'Data Sheets' section of this Planning Guide for more details.

## SERVICES



FRONT VIEW



PROFILE VIEW

**CONNECTION**

Connections may be located in an adjacent cabinet to either side of the appliance. Ensure power will remain accessible following installation to allow access for any future product maintenance.

POWER CONNECTION WATER TANK LOCATION

**HARD-WIRED**

For more information on electrical requirements, refer to the Installation Guide.

	1	SELF-CLEANING OVEN OB24SACPTDX5
<b>SERIES 7</b>		
<b>SERIES 9</b>		
<b>POWER CONNECTION</b>		
Connection		Hard-wired 48" (1220mm)
Location		upper right
<b>ELECTRICAL</b>		
Dedicated Circuit (A)		20
Rated Power (W)		4200 / 3200
Supply (Hz)		60
Voltage (V)		208 / 240

Note: Multiple product installation requires the design of power outlets according to local regulations.

	2	COMPACT CONVECTION-SPEED OVEN OM24NCTDX5
<b>WARMING DRAWERS</b>		
<b>3</b>		WB24SCX3
		Flex cord 70 7/8" (1800mm)
		upper right
		Hard-wired 70 7/8" (1800mm)
		upper left
		20
		3300 / 3900
		60
		208 / 240

The models shown in this Planning Guide may not be available in all markets and are subject to change at any time. Product specifications may vary from those shown. This Planning Guide should not be used as installation guidance for any product. Further information is required to safely and correctly install the products featured here. Specific installation guidance will be available with the product on delivery and on our website [fisherpaykel.com](http://fisherpaykel.com)

