

FISHER & PAYKEL

DATA SHEET 30" Pro Induction Cooktop

Model no:

C1304PTX4

(refer page 2 for metric measurements)

Product Dimensions	in
Ⓐ Overall height of cooktop including conduit junction	3 13/16"
Ⓑ Overall width of cooktop	30"
Ⓒ Overall depth of cooktop	21"
Ⓓ Height of chassis including conduit junction	3 1/4"
Ⓔ Width of chassis	28 3/8"
Ⓕ Depth of chassis	19"
Ⓖ Height from benchtop to top of cooktop	9/16"
Ⓜ Distance from front edge of cooktop to chassis	13/16"
Ⓨ Distance from rear edge of cooktop to chassis	1 1/4"
Ⓩ Distance from side edges of cooktop to chassis	13/16"

Cutout Dimensions	in
Cutout width*	28 3/8"
Cutout depth	19"
Distance from front of cutout to front of cooktop	11/16"

*NOTE: Cutout position is centered to the cooktop width

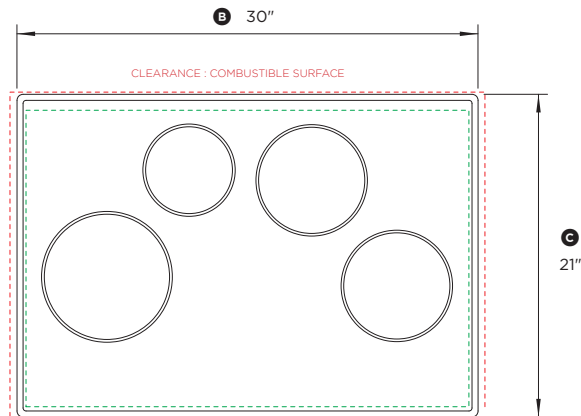
Minimum Clearances	in
Minimum clearance from side edges of cutout to nearest combustible surface	1 3/16"
Minimum clearance from rear edge of cutout to nearest combustible surface	1 1/2"
Minimum distance from front edge of cutout to front edge of countertop	1 3/8"
Minimum clearance from top of countertop to top of any appliance, companion product or obstruction below cooktop**	3 3/8"
Minimum clearance from glass surface to:	
- overhead cabinet centered above cooktop (unprotected)	30"
- overhead cabinet centered above cooktop (protected)	24"
- rangehood	25 5/8"
Minimum clearance from benchtop to overhead cabinet not directly above the cooktop	17 3/4"
Minimum ventilation gap between bottom of bench and top of cabinetry fronts (not illustrated)	3/16"

**NOTE: The oven installed below the cooktop MUST have a cooling fan. It is important that the induction cooktop receives adequate air supply. For ventilation requirements please refer to the installation manual.

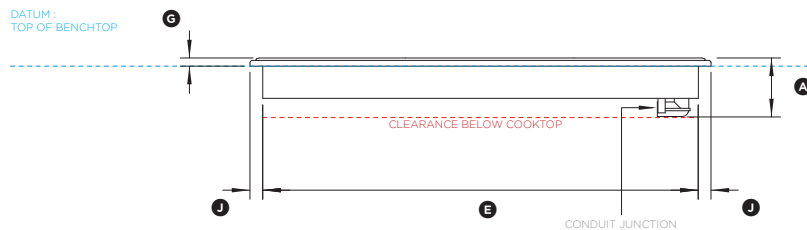
INDICATES CUTOUT -----
INDICATES CABINERY / PRODUCT DATUM -----
INDICATES CABINERY CLEARANCES -----

DATE: 08.12.2021

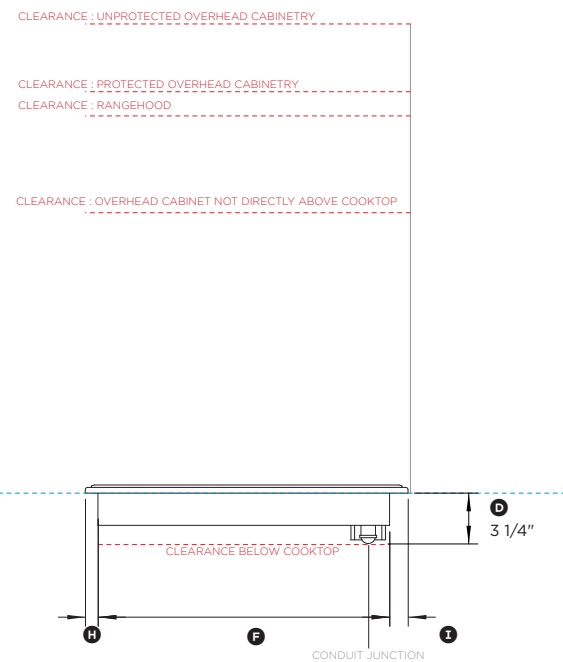
IMPORTANT NOTE: Throughout this guide, dimensions may vary by ±2mm (1/16"). Please read the installation manual for detailed information on installing the product. For full installation instructions & specifications visit fisherpaykel.com



PLAN VIEW

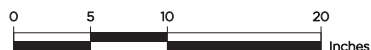


FRONT VIEW



PROFILE VIEW

CLEARANCE : UNPROTECTED OVERHEAD CABINERY
CLEARANCE : PROTECTED OVERHEAD CABINERY
CLEARANCE : RANGEHOOD
CLEARANCE : OVERHEAD CABINET NOT DIRECTLY ABOVE COOKTOP



FISHER & PAYKEL

DATA SHEET 30" Pro Induction Cooktop

Model no:

C1304PTX4

(refer page 1 for imperial measurements)

Product Dimensions	mm
Ⓐ Overall height of cooktop including conduit junction	97
Ⓑ Overall width of cooktop	762
Ⓒ Overall depth of cooktop	533
Ⓓ Height of chassis including conduit junction	83
Ⓔ Width of chassis	720
Ⓕ Depth of chassis	482
Ⓖ Height from benchtop to top of cooktop	14
Ⓜ Distance from front edge of cooktop to chassis	21
Ⓨ Distance from rear edge of cooktop to chassis	31
Ⓩ Distance from side edges of cooktop to chassis	21

Cutout Dimensions	mm
Cutout width*	730
Cutout depth	490
Distance from front of cutout to front of cooktop	17

*NOTE: Cutout position is centered to the cooktop width

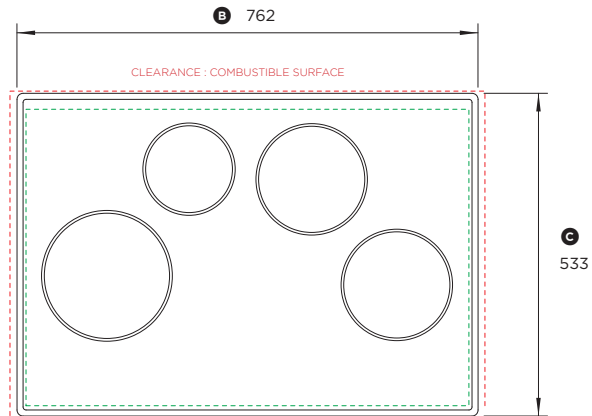
Minimum Clearances	mm
Minimum clearance from side edges of cutout to nearest combustible surface	30
Minimum clearance from rear edge of cutout to nearest combustible surface	39
Minimum distance from front edge of cutout to front edge of countertop	35
Minimum clearance from top of countertop to top of any appliance, companion product or obstruction below cooktop**	85
Minimum clearance from glass surface to:	
- overhead cabinet centered above cooktop (unprotected)	762
- overhead cabinet centered above cooktop (protected)	610
- rangehood	650
Minimum clearance from benchtop to overhead cabinet not directly above the cooktop	450
Minimum ventilation gap between bottom of bench and top of cabinetry fronts (not illustrated)	4

**NOTE: The oven installed below the cooktop MUST have a cooling fan. It is important that the induction cooktop receives adequate air supply. For ventilation requirements please refer to the installation manual.

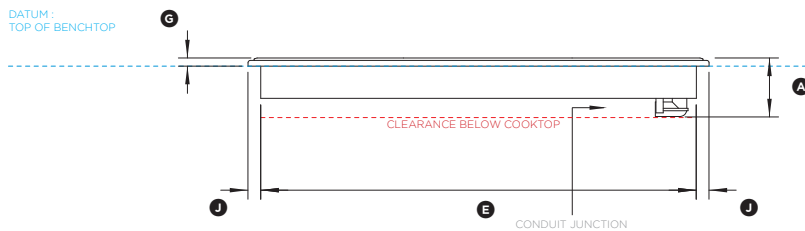
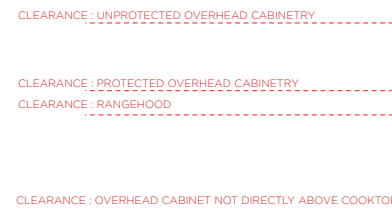
INDICATES CUTOUT -----
INDICATES CABINERY / PRODUCT DATUM -----
INDICATES CABINERY CLEARANCES -----

DATE: **08.12.2021**

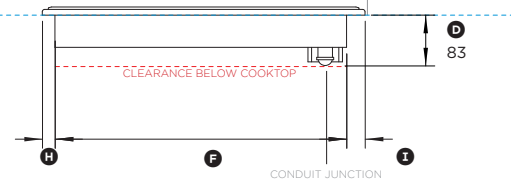
IMPORTANT NOTE: Throughout this guide, dimensions may vary by $\pm 2\text{mm}$ (1/16"). Please read the installation manual for detailed information on installing the product. For full installation instructions & specifications visit fisherpaykel.com



PLAN VIEW



FRONT VIEW



PROFILE VIEW

