

24" MINIMAL OVENS AND COMPANIONS

PLANNING GUIDE

SERIES 7 SELF-CLEANING OVEN | OB24SAMPTB5

SERIES 7 COMPACT CONVECTION-SPEED OVEN | OM24NMTB5

SERIES 9 WARMING DRAWER | WB24SMB3

CONTENTS | 24" OVENS AND COMPANIONS

INTRODUCTION

This comprehensive planning guide provides you with the framework and tools to achieve your desired design outcome with Fisher & Paykel appliances. In this guide, you will find a range of conceptual, detailed, and dimensional product information to bring your ideas to life and create spaces that truly reflect your vision.

SUPPORT

For additional design planning and installation support please contact the Fisher & Paykel design support team.
designsupport@fisherpaykel.com

NOTES

The models shown in this Planning Guide may not be available in all markets and are subject to change at any time. Refer to our website fisherpaykel.com for the latest document version. Product specifications may vary from those shown.
 This Planning Guide should not be used as installation guidance for any product. Specific installation guidance will be available with the product on delivery and on our website.

CONCEPT DESIGN	PAGE
DESIGN CHOICE	
Styles	4
Minimal Style	5
Installation Options	6
Overview	7
SPECIFICATION GUIDE	
Self-Cleaning Oven	9
Compact Convection-Speed Oven	10
Warming Drawer	11
Dimensions	12
Services	13

DEVELOPED AND DETAILED DESIGN	PAGE
DATA SHEETS	
Self-Cleaning Oven	15
Compact Convection-Speed Oven	16
Warming Drawer	17

DEVELOPED AND DETAILED DESIGN	PAGE
PLANNING CONSIDERATIONS	
Cabinetry Preparation	19
Ventilation	20
Stack Height	21
SERVICES	
Power Connection and Electrical	23

DESIGN CHOICE



MINIMAL STYLE - HANDLELESS

MINIMAL STYLE

CONTEMPORARY STYLE

Celebrating a singular aesthetic to blend seamlessly into the kitchen, Minimal style ovens feature subtle textural and tonal contrasts for a sense of refinement and purity.

Defined by clean lines and timeless design cues, Contemporary style ovens bring a sense of balance and refinement. A versatile aesthetic that complements a range of kitchen styles.

This Planning Guide is for the Minimal Style featuring 24" Ovens and Companions. For information on other styles, please visit the Fisher and Paykel website. To see what models are available, head to the 'Overview' section in this Planning Guide.

The models shown in this Planning Guide may not be available in all markets and are subject to change at any time. Product specifications may vary from those shown. This Planning Guide should not be used as installation guidance for any product. Further information is required to safely and correctly install the products featured here. Specific installation guidance will be available with the product on delivery and on our website fisherpaykel.com

FINISH

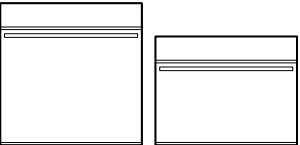


Black

OVENS

SELF-CLEANING

CONVECTION-SPEED

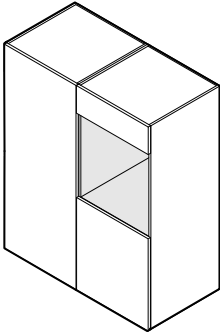


COMPANIONS

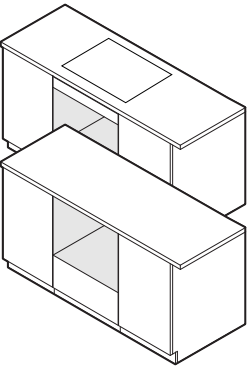
WARMING DRAWER



INSTALLATION OPTIONS



Installation in wall



Installation under-bench

The models shown in this Planning Guide may not be available in all markets and are subject to change at any time. Product specifications may vary from those shown. This Planning Guide should not be used as installation guidance for any product. Further information is required to safely and correctly install the products featured here. Specific installation guidance will be available with the product on delivery and on our website fisherpaykel.com

CONSIDERATIONS

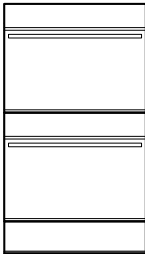
Different configurations possible, consider heights for grid and row installations.

STACK HEIGHT

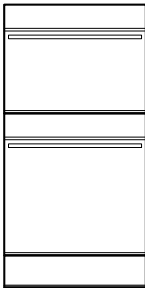
Stack Height is overall product height with minimum clearance above appliance front panel to upper cabinetry front panel or appliance.

STACKED INSTALLATION

Stack Height
41 3/4" (1060mm)

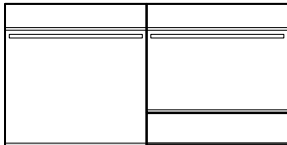


Stack Height
47 1/4" (1200mm)



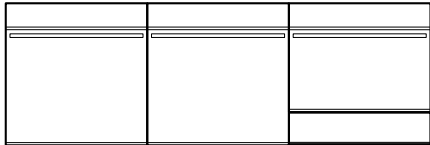
GRID INSTALLATION

Stack Height
23 5/8" (600mm)



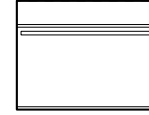
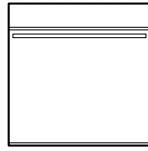
ROW INSTALLATION

Stack Height
23 5/8" (600mm)

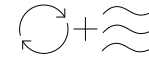
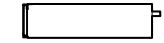
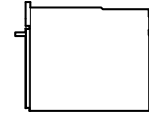
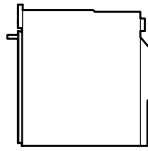


The models shown in this Planning Guide may not be available in all markets and are subject to change at any time. Product specifications may vary from those shown. This Planning Guide should not be used as installation guidance for any product. Further information is required to safely and correctly install the products featured here. Specific installation guidance will be available with the product on delivery and on our website fisherpaykel.com

FRONT ELEVATION



SIDE ELEVATION



Series	
Black	
Interface	
Overall Height	
Overall Width	
Control Panel/Front Panel Thickness	

	SELF-CLEANING OVEN
Series	Series 7
Black	OB24SAMPTB5
Interface	5" Touchscreen
Overall Height	23 9/16" (598mm)
Overall Width	23 7/16" (596mm)
Control Panel/Front Panel Thickness	13/16" (20mm)

	COMPACT CONVECTION-SPEED OVEN
Series	Series 7
Black	OM24NMTB5
Interface	5" Touchscreen
Overall Height	18" (458mm)
Overall Width	23 7/16" (596mm)
Control Panel/Front Panel Thickness	13/16" (20mm)

	WARMING DRAWER
Series	Series 9
Black	WB24SMB3
Interface	-
Overall Height	5 1/2" (140mm)
Overall Width	23 7/16" (596mm)
Control Panel/Front Panel Thickness	13/16" (20mm)

The models shown in this Planning Guide may not be available in all markets and are subject to change at any time. Product specifications may vary from those shown. This Planning Guide should not be used as installation guidance for any product. Further information is required to safely and correctly install the products featured here. Specific installation guidance will be available with the product on delivery and on our website fisherpaykel.com

SPECIFICATION GUIDE

SERIES 7 & 9



OVERVIEW

Designed to complement Minimal style appliances, this oven delivers a seamless, flush finish – ideal for modern kitchen designs. The pyrolytic self-cleaning function breaks down food residue for an easy clean, while precise cooking methods with temperature and heat type recommendations for a wide range of food types are easily accessed via the touch screen and SmarthQ™.

PRODUCTS

OB24SAMPTB5 - Black
24" Series 7 Minimal Self-Cleaning Oven

SERIES & STYLE

Series 7
Minimal

ACCESSORIES

- 1 Self-cleaning Proof Side Ladders
- 2 Telescopic Sliding Runners
- 3 Wire Shelf (x2)

FEATURES

- 1 Minimal style is designed to fit flush with cabinetry. Matches our Minimal style family of appliances
- 2 Self-cleaning pyrolytic function breaks down food residue for an easy clean
- 3 Premium soft open and close door
- 4 Generous 2.5 cu ft useable capacity
- 5 5" touchscreen is intuitive and easy to use
- 6 Create perfect results with precise cooking methods, with temperature and heat type recommendations for your food type
- 7 Moisture control and even heat distribution thanks to ActiveVent™ and AeroTech™ technology
- 8 Includes a wired temperature sensor for real-time monitoring of cooking temperatures
- 9 Connected capability via the SmarthQ™ app gives control & visibility from anywhere at anytime

ACCESSORIES

- 4 Multi-functional Air Fry Tray
- 5 Roasting Dish
- 6 Wired Temperature Sensor



The models shown in this Planning Guide may not be available in all markets and are subject to change at any time. Product specifications may vary from those shown. This Planning Guide should not be used as installation guidance for any product. Further information is required to safely and correctly install the products featured here. Specific installation guidance will be available with the product on delivery and on our website fisherpaykel.com

**OVERVIEW**

Designed to complement Minimal style appliances, this Convection-Speed Oven delivers a seamless, flush finish – ideal for modern kitchen designs. Versatile cooking options including microwave or convection offer efficient heating across a variety of dishes. Precise cooking methods with temperature and heat type recommendations for a wide range of food types are easily accessed via the touch screen and SmarthQ™.

PRODUCTS

OM24NMTB5 - Black
24" Series 7 Minimal Compact Convection-Speed Oven

SERIES & STYLE

Series 7
Minimal

FEATURES

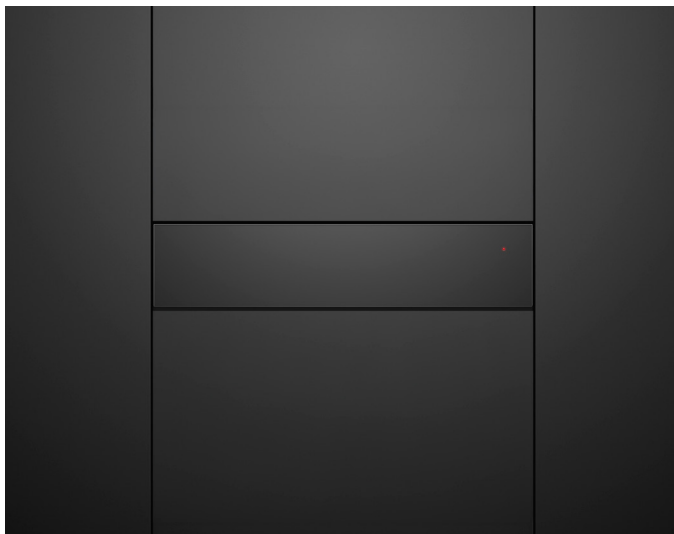
- 1 Minimal style is designed to fit flush with cabinetry. Matches our Minimal style family of appliances
- 2 Combines fast microwave cooking with even convection heat for versatile, efficient heating across a variety of dishes
- 3 With soft open and close, the CoolTouch door is safe to touch from the outside - protecting hands and surrounding cabinetry
- 4 Compact 1.3 cu ft useable capacity
- 5 5" touchscreen is intuitive and easy to use
- 6 Create perfect results with precise cooking methods, with temperature and heat type recommendations for your food type
- 7 Versatile microwave only, convection only or combi-microwave functions to suit a range of cooking styles
- 8 Includes a wired temperature sensor for real-time monitoring of cooking temperatures
- 9 Connected capability via the SmarthQ™ app gives control & visibility from anywhere at anytime

ACCESSORIES

- 1 Chrome Side Ladders
- 2 Wire Shelf
- 3 Step Down Wire Shelf
- 4 Glass Tray
- 5 Broil Rack
- 6 Wired Temperature Sensor



The models shown in this Planning Guide may not be available in all markets and are subject to change at any time. Product specifications may vary from those shown. This Planning Guide should not be used as installation guidance for any product. Further information is required to safely and correctly install the products featured here. Specific installation guidance will be available with the product on delivery and on our website fisherpaykel.com



OVERVIEW

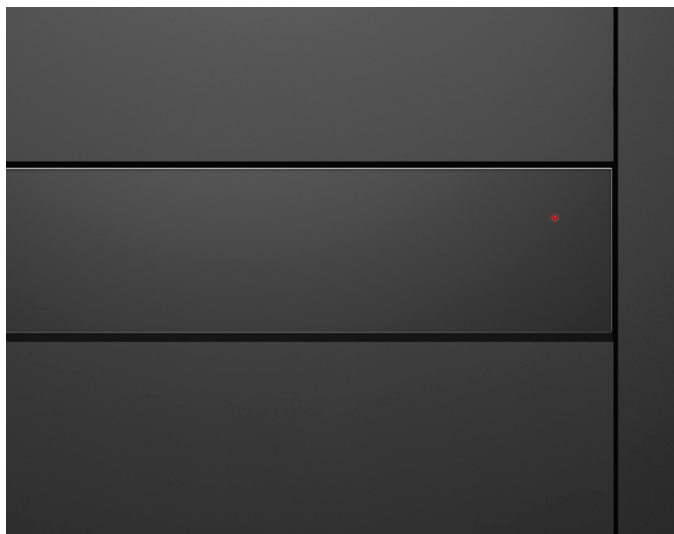
Designed to complement Minimal style appliances, this Warming Drawer delivers a seamless, flush finish – ideal for modern kitchen designs. Featuring a push-to-open mechanism, intuitive touch controls, and a smooth glass base for easy cleaning. With six tailored programmes and space for 6 place settings, it keeps meals ready to serve.

PRODUCTS

WB24SMB3 - Black
24" Series 9 Minimal Warming Drawer

FEATURES

- 1** Minimal style is designed to fit flush with cabinetry. Matches our Minimal style family of appliances
- 2** Push-to-open drawer, designed for added convenience
- 3** Simple and intuitive touch controls for effortless operation
- 4** Easy-to-clean glass base
- 5** Automatic switch-off and delayed start functionality to help keep dishes warm until it is time to serve
- 6** Room for 6 standard-sized place settings
- 7** Six tailored programmes including Warming, Proofing, Dehydrating, and Slow Cooking offer convenience and flexibility



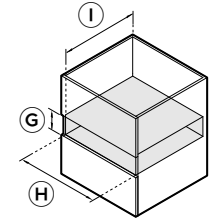
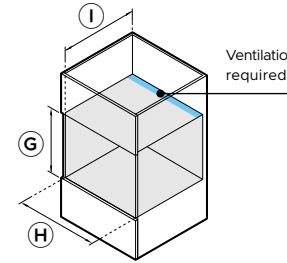
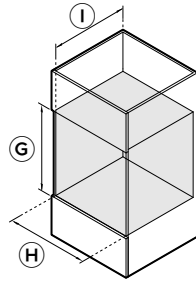
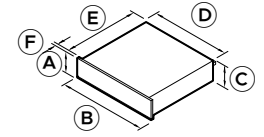
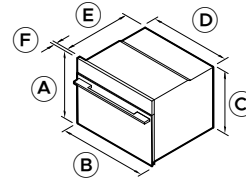
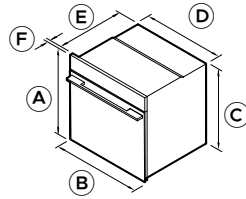
SERIES & STYLE

Series 9
Minimal

The models shown in this Planning Guide may not be available in all markets and are subject to change at any time. Product specifications may vary from those shown. This Planning Guide should not be used as installation guidance for any product. Further information is required to safely and correctly install the products featured here. Specific installation guidance will be available with the product on delivery and on our website fisherpaykel.com

PRODUCT DIMENSIONS

CAVITY DIMENSIONS



PRODUCT DIMENSIONS	
A Overall product height	
B Overall product width	
C Chassis height	
D Chassis width	
E Chassis depth	
F Front frame depth (excludes handle)	
Front panel height	
Front panel width	
Door open depth at 90° (from product front)	
Drawer extension	

SELF-CLEANING OVEN OB24SAMPB5		
	inch	mm
A Overall product height	23 9/16	598
B Overall product width	23 7/16	596
C Chassis height	22 5/8	575
D Chassis width	21 7/8	556
E Chassis depth	21 7/16	545
F Front frame depth (excludes handle)	13/16	20
Front panel height	-	-
Front panel width	-	-
Door open depth at 90° (from product front)	18 1/4	463
Drawer extension	-	-

COMPACT CONVECTION-SPEED OVEN OM24NMTB5		
	inch	mm
A Overall product height	18	458
B Overall product width	23 7/16	596
C Chassis height	17 1/8	435
D Chassis width	21 7/8	556
E Chassis depth	21 7/16	545
F Front frame depth (excludes handle)	13/16	20
Front panel height	-	-
Front panel width	-	-
Door open depth at 90° (from product front)	12 3/4	324
Drawer extension	-	-

WARMING DRAWER WB24SMB3		
	inch	mm
A Overall product height	5 1/2	140
B Overall product width	23 7/16	596
C Chassis height	5 1/2	140
D Chassis width	21 3/8	543
E Chassis depth	21 9/17*	547*
F Front frame depth (excludes handle)	13/16	20
Front panel height	5 3/8	136
Front panel width	23 7/16	596
Door open depth at 90° (from product front)	-	-
Drawer extension	max 16 5/16	max 414

*Including power plug.

CAVITY DIMENSIONS	
G Cavity height	
H Cavity width	
I Cavity depth (from chassis front datum)	

	inch	mm
G Cavity height	min 22 13/16	min 580
H Cavity width	min 22 1/16	min 560
I Cavity depth (from chassis front datum)	min 21 5/8	min 550

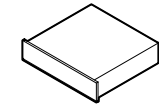
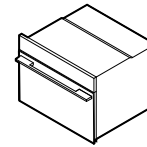
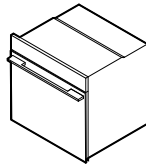
	inch	mm
G Cavity height	min 17 5/16	min 440
H Cavity width	min 22 1/16	min 560
I Cavity depth (from chassis front datum)	min 21 5/8*	min 550*

	inch	mm
G Cavity height	min 5 9/16	min 142
H Cavity width	min 22 1/16	min 560
I Cavity depth (from chassis front datum)	min 21 5/8	min 550

*Minimum total ventilation area of 43.4in (280cm²) is required. The ventilation opening must be located at the rear of the cavity and may be positioned at the base, sides, or top of the cavity.
Note: 24" Fisher & Paykel ovens can be installed directly onto the drawer. An intermediate shelf is not required.

The models shown in this Planning Guide may not be available in all markets and are subject to change at any time. Product specifications may vary from those shown. This Planning Guide should not be used as installation guidance for any product. Further information is required to safely and correctly install the products featured here. Specific installation guidance will be available with the product on delivery and on our website fisherpaykel.com

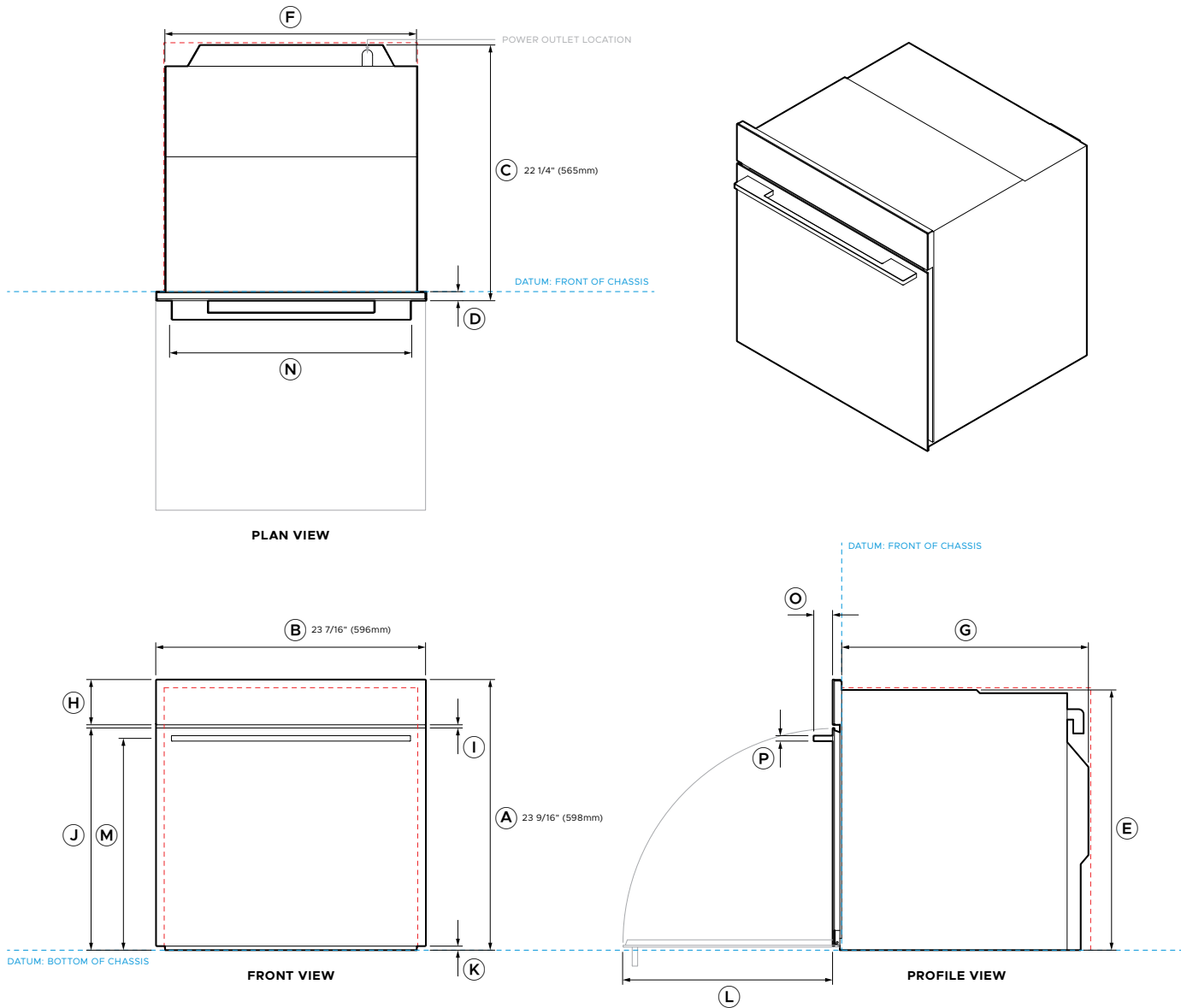
ISOMETRIC VIEW



	SELF-CLEANING OVEN OB24SAMPTB5	COMPACT CONVECTION-SPEED OVEN OM24NMTB5	WARMING DRAWER WB24SMB3
PRODUCT REQUIREMENTS			
Dedicated Circuit (A)	20	20	15
Rated Power (W)	4200 / 3200	3300 / 3900	930
Supply (Hz)	60	60	60
Voltage (V)	208 / 240	208 / 240	120
Connection	Hard-wired 48" (1220mm)*	Hard-wired min 70 7/8" (1800mm)*	Flex cord 70 7/8" (1800mm)*
*Supplied with product. Note: For multi-residential installations, use the Rated Power to calculate the demand.			
CAPACITY			
Total Oven capacity	3cu ft (85L)	1.7cu ft (49L)	-
Total water tank capacity	-	-	-
Note: All Coffee Makers has internal water tanks which need to be filled manually. No external water supply is required.			
WEIGHTS			
Packaged	119lb (54kg)	106lb (48kg)	40lb (18kg)
Unpackaged	99lb (45kg)	84lb (38kg)	37lb (17kg)

The models shown in this Planning Guide may not be available in all markets and are subject to change at any time. Product specifications may vary from those shown. This Planning Guide should not be used as installation guidance for any product. Further information is required to safely and correctly install the products featured here. Specific installation guidance will be available with the product on delivery and on our website fisherpaykel.com

DATA SHEETS



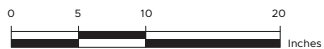
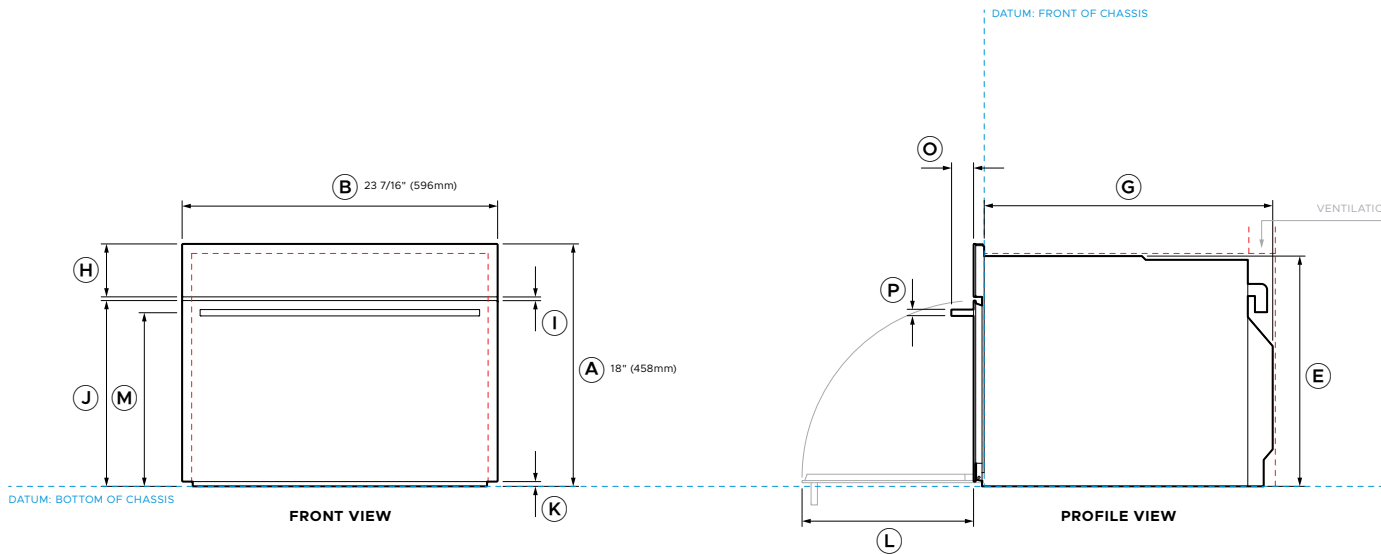
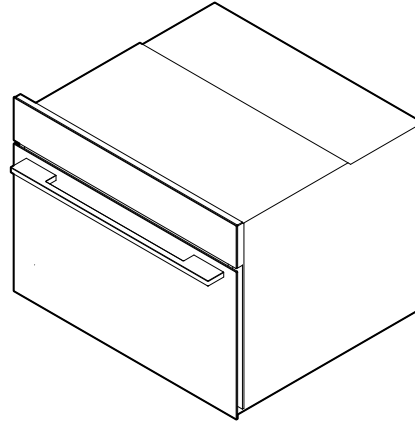
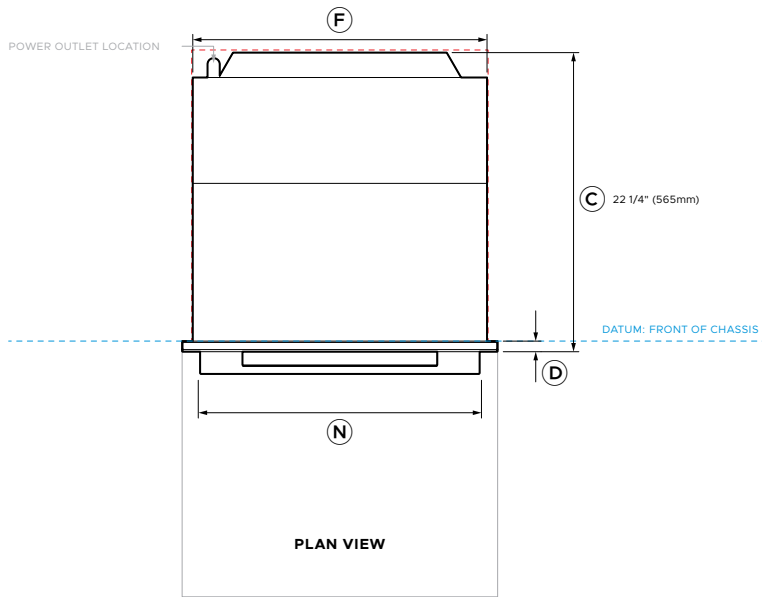
Model no:
OB24SAMPTB5 24" Series 7 Minimal Self-Cleaning Oven - Black

Product Dimensions		inch	mm
A	Overall product height	23 9/16	598
B	Overall product width	23 7/16	596
C	Overall product depth (excludes handle)	22 1/4	565
D	Front frame depth (excludes handle)	13/16	20
E	Chassis height	22 5/8	575
F	Chassis width	21 7/8	556
G	Chassis depth	21 7/16	545
H	Control panel height	3 15/16	100
I	Door-to-control panel gap	9/32	7
J	Door upper edge height (from chassis base datum)	19 5/16	491
K	Door lower edge height (from chassis base datum)	3/8	9
L	Door open depth at 90° (from product front)	8 1/4	463
M	Handle centreline height (from chassis base datum)	18 7/16	468
N	Handle width	20 13/16	528
O	Handle depth (projection)	1 21/32	42
P	Handle thickness	15/32	12

Minimum Clearances		inch	mm
Cavity height		min 22 13/16	min 580
Cavity width		min 22 1/16	min 560
Cavity depth (from chassis front datum)		min 21 5/8	min 550
Front frame clearance - top & sides		min 1/16	min 2

----- INDICATES PRODUCT DATUM
 - - - - - INDICATES CABINETRY CLEARANCES

IMPORTANT NOTE: Throughout this guide, dimensions may vary by ±2mm (1/16"). Please read the installation manual for detailed information on installing the product. For full installation instructions & specifications visit fisherpaykel.com



Model no:

OM24NMTB5

24" Series 7 Minimal Compact Convection-Speed Oven - Black

Product Dimensions		inch	mm
A	Overall product height	18	458
B	Overall product width	23 7/16	596
C	Overall product depth (excludes handle)	22 1/4	565
D	Front frame depth (excludes handle)	13/16	20
E	Chassis height	17 1/8	435
F	Chassis width	21 7/8	556
G	Chassis depth	21 7/16	545
H	Control panel height	3 15/16	100
I	Door-to-control panel gap	9/32	7
J	Door upper edge height (from chassis base datum)	13 13/16	351
K	Door lower edge height (from chassis base datum)	3/8	9
L	Door open depth at 90° (from product front)	12 3/4	324
M	Handle centreline height (from chassis base datum)	12 29/32	328
N	Handle width	20 13/16	528
O	Handle depth (projection)	1 21/32	42
P	Handle thickness	15/32	12

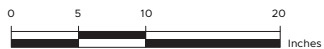
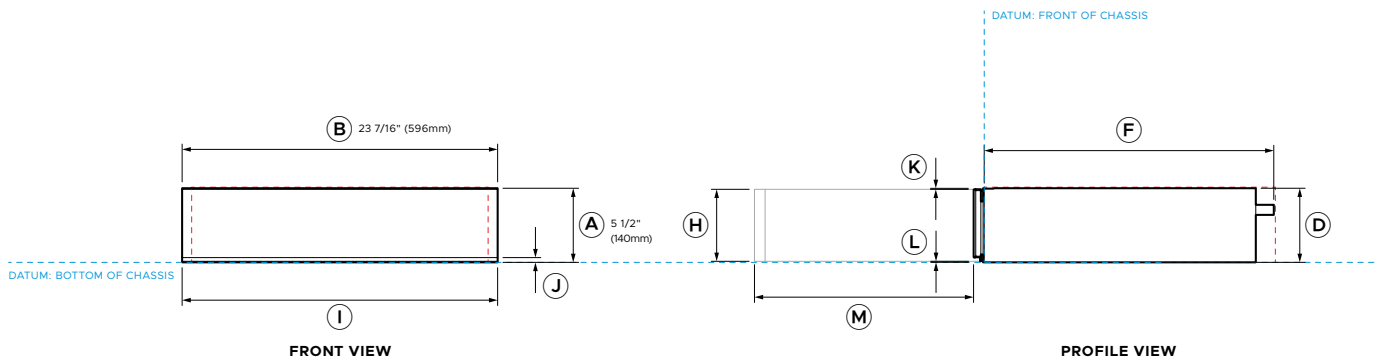
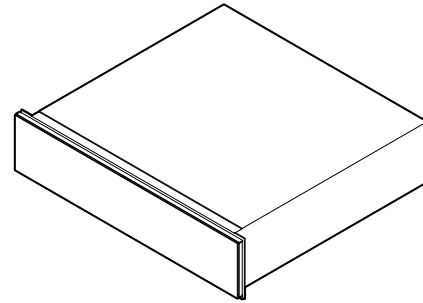
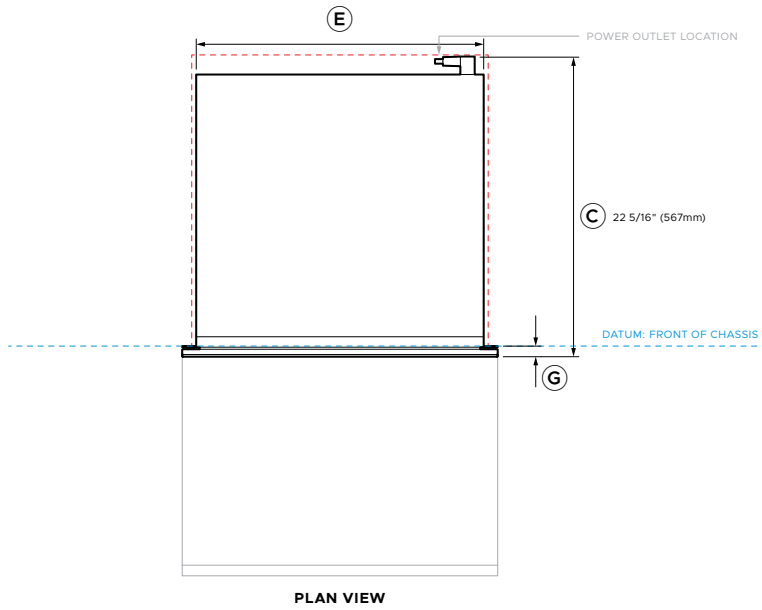
Minimum Clearances		inch	mm
Cavity height		min 17 5/16	min 440
Cavity width		min 22 1/16	min 560
Cavity depth (from chassis front datum)		min 21 5/8	min 550
Front frame clearance - top & sides		min 1/16	min 2

Ventilation Requirements		inch	mm
Rear ventilation opening height*		min 2	min 50
Rear ventilation opening width*		min 22 1/16	min 560

*Minimum total ventilation area of 43.4in² (280cm²) is required. The ventilation opening must be located at the rear of the cavity and may be positioned at the base, sides, or top of the cavity.

----- INDICATES PRODUCT DATUM
 - - - - - INDICATES CABINETRY CLEARANCES

IMPORTANT NOTE: Throughout this guide, dimensions may vary by ±2mm (1/16"). Please read the installation manual for detailed information on installing the product. For full installation instructions & specifications visit fisherpaykel.com



Model no:
WB24SMB3 24" Series 9 Minimal Warming Drawer - Black

Product Dimensions		inch	mm
A	Overall product height	5 1/2	140
B	Overall product width	23 7/16	596
C	Overall product depth (includes power plug)	22 5/16	567
D	Chassis height	5 1/2	140
E	Chassis width	21 3/8	543
F	Chassis depth	21 9/17	547
G	Front frame depth (includes flange and front panel)	13/16	20
H	Front panel height	5 3/8	136
I	Front panel width	23 7/16	596
J	Front panel lower visual edge height (from chassis base datum)	3/8	9
K	Front panel upper edge to top of chassis	1/16	2
L	Front panel lower true edge height (from chassis base datum)	1/16	2
M	Drawer extension	max 16 5/16	max 414

Minimum Clearances		inch	mm
Cavity height			
- standalone installation		min 5 9/16	min 142
- stack installation		5 1/2	140
Cavity width		min 22 1/16	min 560
Cavity depth (from chassis front datum)		min 21 5/8	min 550
Front frame clearance - top & sides		min 1/16	min 2

Note: 24" Fisher & Paykel ovens can be installed directly onto the drawer. An intermediate shelf is not required.

----- INDICATES PRODUCT DATUM
 - - - - - INDICATES CABINETRY CLEARANCES

IMPORTANT NOTE: Throughout this guide, dimensions may vary by ±2mm (1/16"). Please read the installation manual for detailed information on installing the product. For full installation instructions & specifications visit fisherpaykel.com

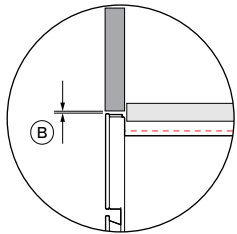
PLANNING CONSIDERATIONS

CABINETS CLEARANCES

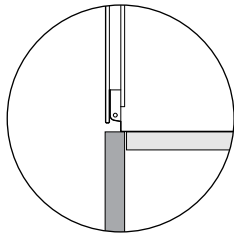
CLEARANCES		inch	mm
A	Front/custom panel clearance - sides	min 1/16	min 2
B	Front/custom panel clearance - top	min 1/16	min 2

UNDERBENCH

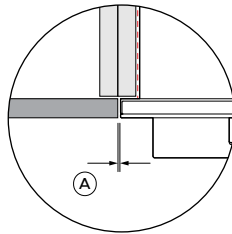
If installing a cooktop above the oven, ensure adequate clearance is provided for the cooktop as per the cooktop manufacturer's instructions.



DETAIL 1
PROFILE VIEW

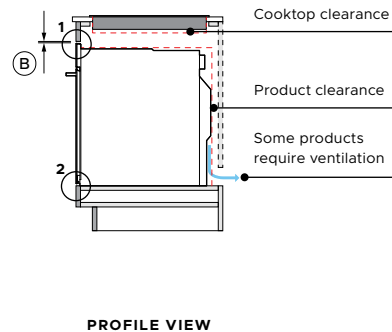
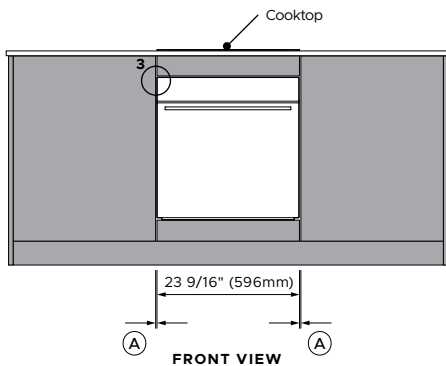


DETAIL 2
PROFILE VIEW



DETAIL 3
PLAN VIEW

Products require no bottom clearance between product to cabinetry front panel or appliance.



INSTALLATION

SINGLE

Head to the 'Data Sheets' section in this Planning Guide for details.

STACKED OR GRID

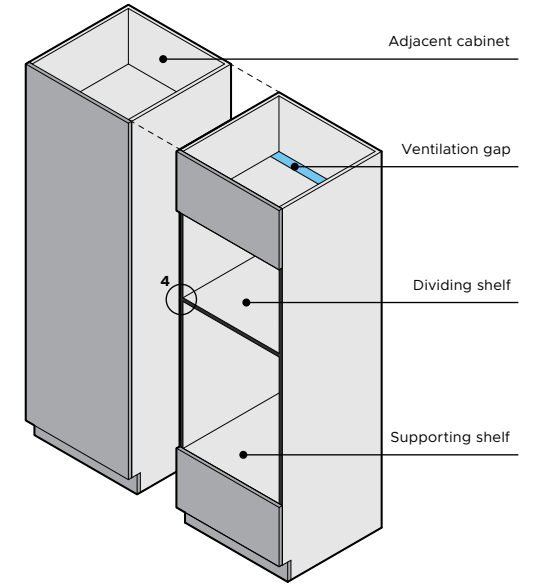
Head to the 'Stack Height' section in this Planning Guide for details.

BLACK CLASHING

Black edge clashing is recommended on all front facing panels and openings at product locations, and on side cabinet panels where a rebated exists.

DIVIDING SHELF

If the appliance front panel is thicker than the cabinetry front panel, adjust the dividing shelf depth to ensure the oven sits flush with the front of the cabinetry.

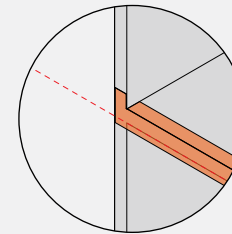


OVEN CABINETS TRIM (OPTIONAL)

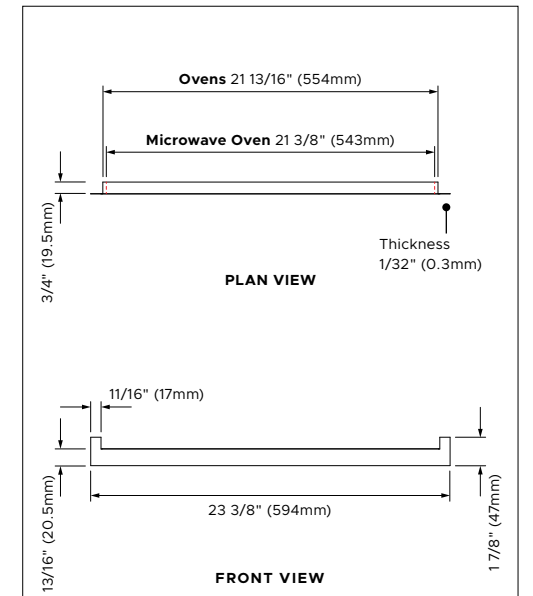
An optional black cabinetry trim is supplied with all ovens.

Prior to installation, check the trim height against dividing or supporting shelves. If required, score and cut the trim to the appropriate height to prevent interference.

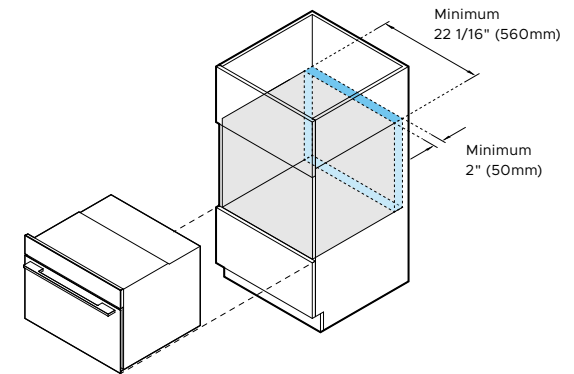
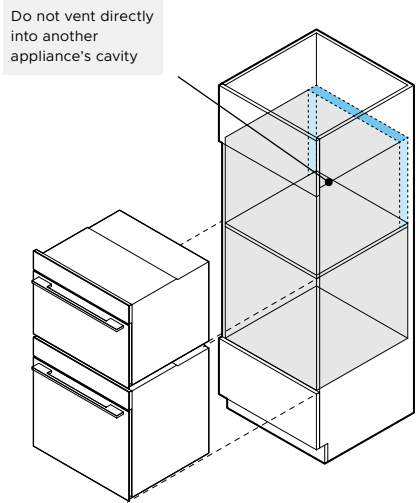
Note: Microwave ovens has a different trim width. Ensure the correct trim is used for each appliance.



DETAIL 4
ISOMETRIC VIEW



The models shown in this Planning Guide may not be available in all markets and are subject to change at any time. Product specifications may vary from those shown. This Planning Guide should not be used as installation guidance for any product. Further information is required to safely and correctly install the products featured here. Specific installation guidance will be available with the product on delivery and on our website fisherpaykel.com



Options for total minimum ventilation area

VENTILATION

Ventilation is required to ensure proper performance of certain products.

Possible Venting Locations:

- Space behind the cabinet
- Upper cavity (not a product cavity)
- Toe kick cavity
- Adjacent cabinetry (not a product cavity)

Cabinet with back panel or installed against a wall:

Select one of the venting locations listed above, providing the required minimum ventilation area.

Cabinet without back panel:

If the cabinet is manufactured without a back panel and is not positioned directly against a wall, the open back will provide sufficient ventilation.

Do not vent directly into another appliance's cavity.

COMPACT CONVECTION-SPEED OVEN

OM24NMTB5

VENTILATION PLACEMENT

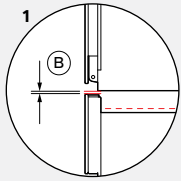
Total minimum ventilation area	43.4in (280cm ²) or 2" x 22 1/16" (50mm x 560mm)
Cavity venting options	base, sides, top or back

The models shown in this Planning Guide may not be available in all markets and are subject to change at any time. Product specifications may vary from those shown. This Planning Guide should not be used as installation guidance for any product. Further information is required to safely and correctly install the products featured here. Specific installation guidance will be available with the product on delivery and on our website fisherpaykel.com

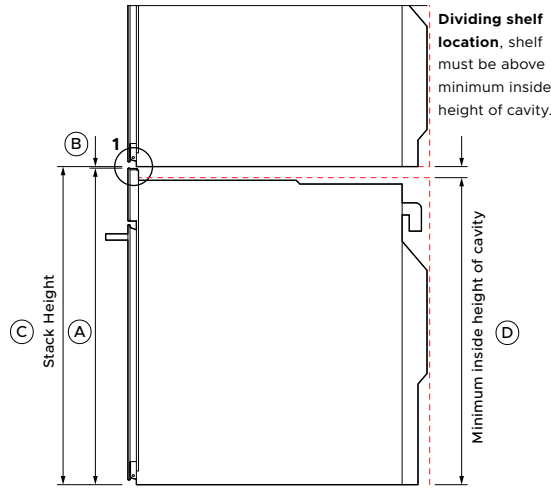
STACK HEIGHT

Stack height is overall product height with minimum clearance above appliance control panel or front panel.

$$\begin{array}{r}
 \text{A Overall product height} \\
 + \\
 \text{B Minimum top clearance above appliance front/custom panel to upper} \\
 \text{appliance} \\
 = \\
 \text{C Stack Height}
 \end{array}$$



DETAIL 1
PROFILE VIEW



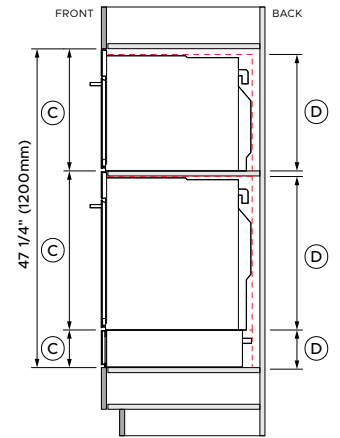
PROFILE VIEW

Ventilation air vent is required at rear of cabinetry for some products.

Dividing shelves are required to support stacked appliances and to achieve correct clearance.

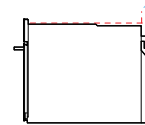
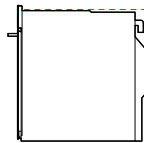
Dividing shelves must be constructed from material that will support the weight of the appliances. Ensure the product is not bearing any weight from cabinetry or products installed above.

Drawers can fully support a 24" Fisher & Paykel ovens. An intermediate shelf is not required.



EXAMPLE
PROFILE VIEW

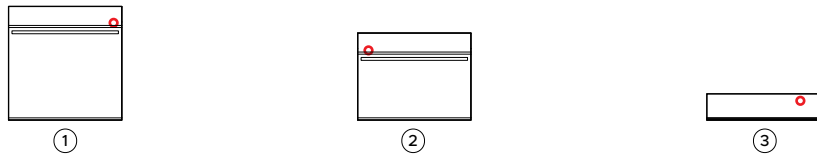
MINIMUM INSIDE HEIGHT OF CAVITY



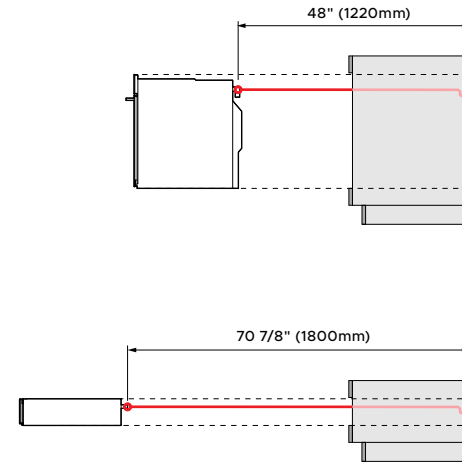
DIMENSIONS	SELF-CLEANING OVEN OB24SAMPTB5		COMPACT CONVECTION-SPEED OVEN OM24NMTB5		WARMING DRAWER WB24SMB3	
	inch	mm	inch	mm	inch	mm
A Overall product height	23 9/16	598	18	458	5 1/2	140
B Minimum top clearance above appliance front/custom panel	1/16	2	1/16	2	-	-
C Stack height	23 5/8	600	18 1/8	460	5 1/2	140*
D Minimum cavity height	22 13/16	580	17 5/16	440	5 1/2	140

*24" Fisher & Paykel ovens can be installed directly onto the drawer. An intermediate shelf is not required. Note: Standalone installation of drawers require minimum clearance above, head to 'Data Sheets' section of this Planning Guide for more details.

SERVICES



FRONT VIEW



PROFILE VIEW

CONNECTION

Connections may be located in an adjacent cabinet to either side of the appliance. Ensure power will remain accessible following installation to allow access for any future product maintenance.

POWER CONNECTION WATER TANK LOCATION

HARD-WIRED

For more information on electrical requirements, refer to the Installation Guide.

SERIES 9	1	SELF-CLEANING OVEN
		OB24SAMPTB5
POWER CONNECTION		
Connection		Hard-wired 48" (1220mm)
Location		upper right
ELECTRICAL		
Dedicated Circuit (A)		20
Rated Power (W)		4200 / 3200
Supply (Hz)		60
Voltage (V)		208 / 240

Note: Multiple product installation requires the design of power outlets according to local regulations.

2	3	COMPACT CONVECTION-SPEED OVEN	WARMING DRAWERS
		OM24NMTB5	WB24SMB3
		Hard-wired 70 7/8" (1800mm)	Flex cord 70 7/8" (1800mm)
		upper left	upper right
		20	15
		3300 / 3900	930
		60	60
		208 / 240	120

The models shown in this Planning Guide may not be available in all markets and are subject to change at any time. Product specifications may vary from those shown. This Planning Guide should not be used as installation guidance for any product. Further information is required to safely and correctly install the products featured here. Specific installation guidance will be available with the product on delivery and on our website fisherpaykel.com

