

**REFRIGERATOR FREEZERS**

---

# PLANNING GUIDE

---

**SERIES 7 FRENCH DOOR REFRIGERATOR FREEZER**

**RF505ANUX1 | RF505ANUB1 | RF505ANX1**

**SERIES 7 REFRIGERATOR FREEZER**

**RF505BRNX1 | RF505BRNB1 | RF505BRNUX1 | RF505BRNQX1**

**INTRODUCTION**

This comprehensive planning guide provides you with the framework and tools to achieve your desired design outcome with Fisher & Paykel appliances. In this guide, you will find a range of conceptual, detailed, and dimensional product information to bring your ideas to life and create spaces that truly reflect your vision.

**SUPPORT**

For additional design planning and installation support please contact the Fisher & Paykel design support team.  
**designsupport@fisherpaykel.com**

**NOTES**

The models shown in this Planning Guide may not be available in all markets and are subject to change at any time. Refer to our website [fisherpaykel.com](http://fisherpaykel.com) for the latest document version. Product specifications may vary from those shown. This Planning Guide should not be used as installation guidance for any product. Specific installation guidance will be available with the product on delivery and on our website.

**CONTENTS**

CONCEPT DESIGN	PAGE	DEVELOPED AND DETAILED DESIGN	PAGE	DEVELOPED AND DETAILED DESIGN	PAGE
<b>Specification guide</b>		<b>Data sheets</b>		<b>Services</b>	
RF505ANUB1, RF505ANUX1 Models	4	RF505ANUX1, RF505ANUB1	11	RF505ANUX1, RF505ANUB1	22
RF505ANX1	5	RF505ANX1	12	RF505ANX1	23
RF505BRNUX1	6	RF505BRNUX1	13	RF505BRNUX1	24
RF505BRNX1, RF505BRNB1, RF505BRNQX1 Models	7	RF505BRNX1, RF505BRNB1, RF505BRNQX1	14	RF505BRNX1, RF505BRNB1, RF505BRNQX1	25
<b>Design choices</b>		<b>Planning considerations</b>			
Product options	9	Cavity specifications	16		
		Cavity width for door opening	17		
		Door opening clearance	18		
		Venting specifications	19		
		Service specifications	20		

## SPECIFICATION GUIDE



### OVERVIEW

With a sleek stainless or black stainless finish, this 511L French Door fridge is designed for everyday convenience. It offers plenty of fresh food space with a 70:30 split, dual humidity bins, and a slimline dispenser for chilled water and ice - making it a practical, stylish choice for busy households.

### PRODUCTS\*

#### RF505ANUX1

511L Series 7 French Door Refrigerator Freezer, Ice & Water.  
Stainless Steel

#### RF505ANUB1

511L Series 7 French Door Refrigerator Freezer, Ice & Water.  
Black

\*Some models may not be available in all markets, please check [fisherpaykel.com](http://fisherpaykel.com) for more information.



RF505ANUX1

### FEATURES

- ① Sleek French Door design with recessed handles for a contemporary look.
- ② Available in stainless steel or black stainless steel to complement any kitchen style.
- ③ 70:30 fridge-to-freezer split for generous fresh food capacity.
- ④ Dual humidity bins preserve fruits and vegetables in ideal conditions for lasting freshness.
- ⑤ ActiveSmart™ technology maintains the ideal temperature to help keep food fresher for longer.
- ⑥ Slimline water dispenser and internal ice maker provide chilled water and ice on demand.
- ⑦ Energy-efficient design cools and defrosts only when needed, saving energy without compromise.
- ⑧ Full-width drawers and flexible shelving support easy organisation.
- ⑨ Premium materials including solid glass shelving and stainless detailing.

The models shown in this Planning Guide may not be available in all markets and are subject to change at any time. Product specifications may vary from those shown. This Planning Guide should not be used as installation guidance for any product. Further information is required to safely and correctly install the products featured here. Specific installation guidance will be available with the product on delivery and on our website [fisherpaykel.com](http://fisherpaykel.com)



### OVERVIEW

With its sleek French Door design and recessed handles, this 511L refrigerator brings refined style to everyday living. A 70:30 split prioritises fresh food storage, while dual humidity drawers and ActiveSmart™ technology help maintain ideal conditions. Designed for energy efficiency and easy access with a spacious bottom freezer.

### PRODUCTS\*

#### RF505ANX1

511L Series 7 French Door Refrigerator Freezer. Stainless Steel

\*Some models may not be available in all markets, please check [fisherpaykel.com](https://fisherpaykel.com) for more information.

### FEATURES

- ① Sleek French Door design with recessed handles for a contemporary look.
- ② 70:30 fridge-to-freezer split for generous fresh food capacity.
- ③ Dual humidity bins preserve fruits and vegetables in ideal conditions for lasting freshness.
- ④ ActiveSmart™ technology maintains the ideal temperature to help keep food fresher for longer.
- ⑤ Energy-efficient design cools and defrosts only when needed, saving energy without compromise.
- ⑥ Spacious bottom freezer with full extension drawers gives easy access to frozen goods.
- ⑦ Premium materials including solid glass shelving and stainless detailing.
- ⑧ Bright LED lighting ensures easy access to contents.



RF505ANX1

The models shown in this Planning Guide may not be available in all markets and are subject to change at any time. Product specifications may vary from those shown. This Planning Guide should not be used as installation guidance for any product. Further information is required to safely and correctly install the products featured here. Specific installation guidance will be available with the product on delivery and on our website [fisherpaykel.com](https://fisherpaykel.com)



### OVERVIEW

This 515L bottom freezer refrigerator offers generous fresh food storage and everyday convenience, with a slimline water dispenser and internal ice maker. A 70:30 fridge-freezer split, dual humidity bins, and ActiveSmart™ technology help keep food fresher for longer in a sleek, counter-depth stainless steel design.

### PRODUCTS\*

#### RF505BRNUX1

515L Series 7 Refrigerator Freezer, Ice & Water. Stainless Steel

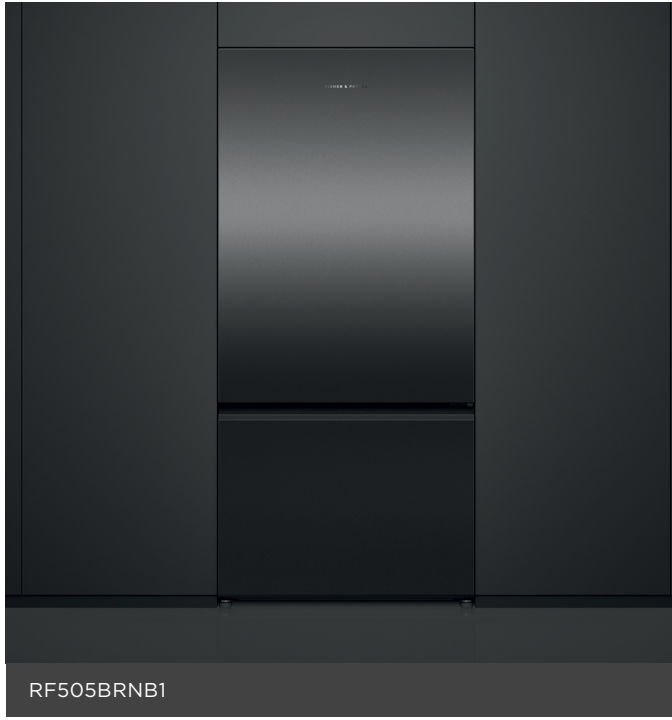
\*Some models may not be available in all markets, please check [fisherpaykel.com](http://fisherpaykel.com) for more information.

### FEATURES

- ① Slimline, counter-depth design with a bottom freezer.
- ② 70:30 fridge-to-freezer split for generous fresh food capacity.
- ③ Dual humidity bins preserve fruits and vegetables in ideal conditions for lasting freshness.
- ④ Slimline water dispenser and internal ice maker provide chilled water and ice on demand.
- ⑤ ActiveSmart™ technology maintains the ideal temperature to help keep food fresher for longer.
- ⑥ Energy-efficient design cools and defrosts only when needed, saving energy without compromise.
- ⑦ Full-width drawers and flexible shelving support easy organisation.
- ⑧ Premium materials including solid glass shelving and stainless detailing.
- ⑨ Bright LED lighting ensures easy access to contents.



The models shown in this Planning Guide may not be available in all markets and are subject to change at any time. Product specifications may vary from those shown. This Planning Guide should not be used as installation guidance for any product. Further information is required to safely and correctly install the products featured here. Specific installation guidance will be available with the product on delivery and on our website [fisherpaykel.com](http://fisherpaykel.com)

**OVERVIEW**

With a slimline, counter-depth design and recessed handles, this 515L bottom freezer refrigerator offers a streamlined aesthetic and generous fresh food capacity. A 70:30 fridge-freezer split, dual humidity bins, and ActiveSmart™ technology help keep food fresher for longer, while flexible shelving supports easy organisation.

**PRODUCTS\*****RF505BRNX1**

515L Series 7 Refrigerator Freezer. Stainless Steel

**RF505BRNB1**

515L Series 7 Refrigerator Freezer Black

**RF505BRNQX1 - Energy Hero**

515L Series 7 Refrigerator Freezer, Stainless Steel

\*Some models may not be available in all markets, please check [fisherpaykel.com](http://fisherpaykel.com) for more information.

**FEATURES**

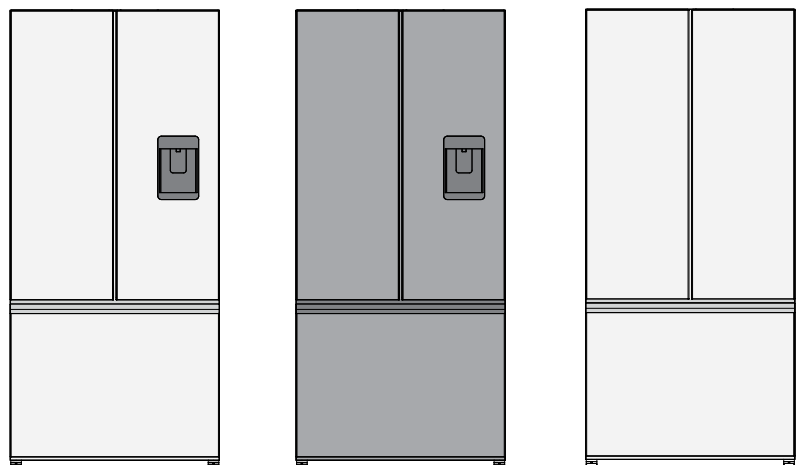
- ① Slimline, counter-depth design with a bottom freezer.
- ② Available in stainless steel or black stainless steel to complement any kitchen style.
- ③ 70:30 fridge-to-freezer split for generous fresh food capacity.
- ④ Dual humidity bins preserve fruits and vegetables in ideal conditions for lasting freshness.
- ⑤ ActiveSmart™ technology maintains the ideal temperature to help keep food fresher for longer.
- ⑥ Spacious bottom freezer with full extension drawers gives easy access to frozen goods.
- ⑦ Full-width drawers and flexible shelving support easy organisation.
- ⑧ Premium materials including solid glass shelving and stainless detailing.
- ⑨ Reversible door hinge for flexible installation.

The models shown in this Planning Guide may not be available in all markets and are subject to change at any time. Product specifications may vary from those shown. This Planning Guide should not be used as installation guidance for any product. Further information is required to safely and correctly install the products featured here. Specific installation guidance will be available with the product on delivery and on our website [fisherpaykel.com](http://fisherpaykel.com)

## DESIGN CHOICES

# DESIGN PLANNING | FRENCH DOOR REFRIGERATOR FREEZER

## FRENCH DOOR REFRIGERATOR FREEZER



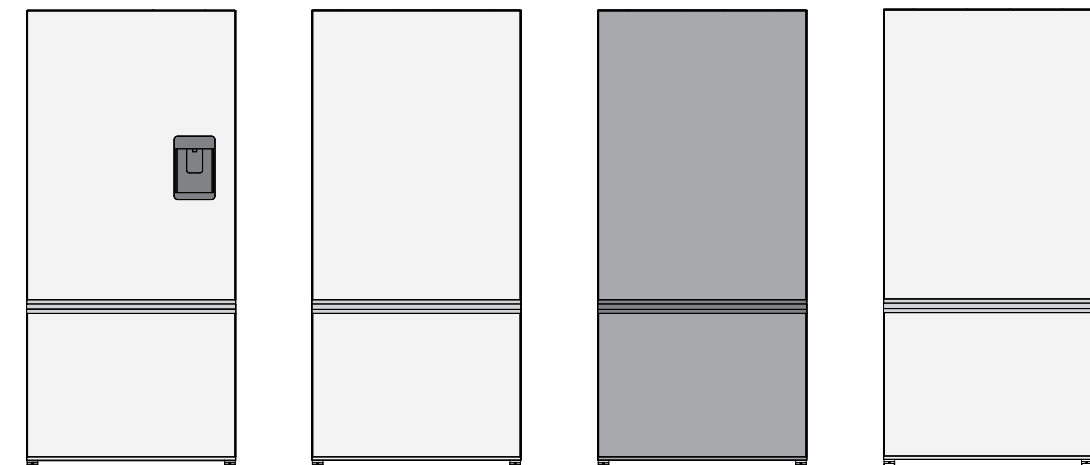
①

②

③

Model		Finish
① RF505ANUX1	80cm French Door Refrigerator Freezer with Ice and Water	Stainless Steel
② RF505ANUB1	80cm French Door Refrigerator Freezer with Ice and Water	Black Stainless Steel
③ RF505ANX1	80cm French Door Refrigerator Freezer	Stainless Steel

## REFRIGERATOR FREEZER



④

⑤

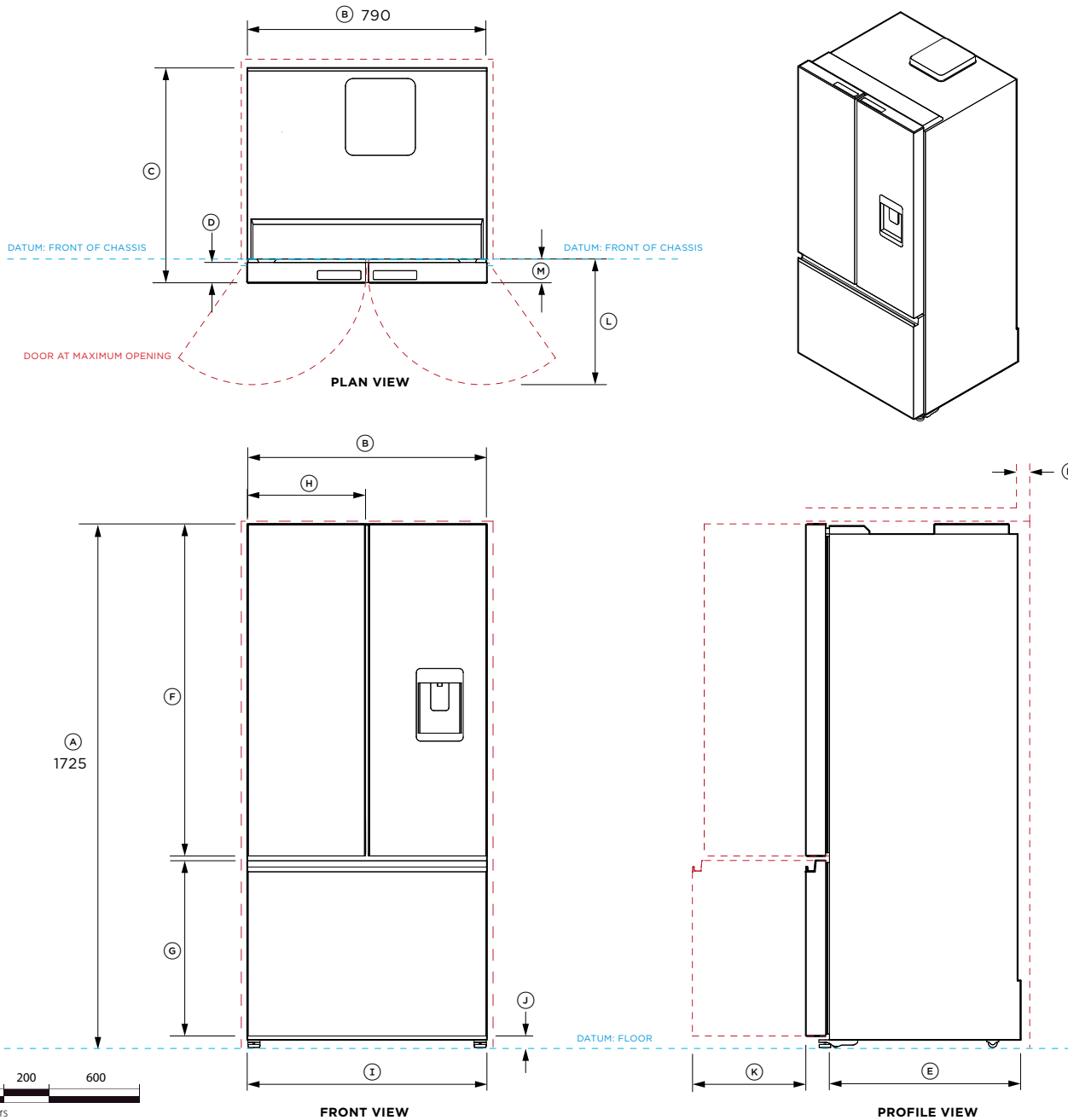
⑥

⑦

Model		Finish
④ RF505BRNUX1	80cm Refrigerator Freezer with Ice and Water	Stainless Steel
⑤ RF505BRNX1	80cm Refrigerator Freezer	Stainless Steel
⑥ RF505BRNB1	80cm Refrigerator Freezer	Black Stainless Steel
⑦ RF505BRNQX1	80cm Door Refrigerator Freezer - Energy Efficient	Stainless Steel

The models shown in this Planning Guide may not be available in all markets and are subject to change at any time. Product specifications may vary from those shown. This Planning Guide should not be used as installation guidance for any product. Further information is required to safely and correctly install the products featured here. Specific installation guidance will be available with the product on delivery and on our website [fisherpaykel.com](http://fisherpaykel.com)

## DATA SHEETS



**Model no:**

RF505ANUX1  
RF505ANUB1

**Product Dimensions**

	mm
Ⓐ Overall height of product	1725
Ⓑ Overall width of chassis	790
Ⓒ Overall depth of product	707
Ⓓ Overall depth of door	66
Ⓔ Depth of chassis	629

**Door Dimensions**

	mm
Ⓕ Height of door	1095
Ⓖ Height of drawer	578
Ⓗ Width of door	390
Ⓘ Width of drawer	790
⓵ Door panel to floor	38

**Door/Drawer Opening Dimensions**

	mm
Ⓚ Depth of drawer (open)	375
Ⓛ Depth of door (max opening) from front of panel**	403
Ⓜ Depth of door to front of chassis	78

**Minimum Clearances**

	mm
Ⓝ Vent cavity*	50
Minimum clearance to chassis side**	20
Minimum rear clearance	30

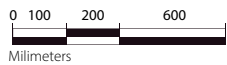
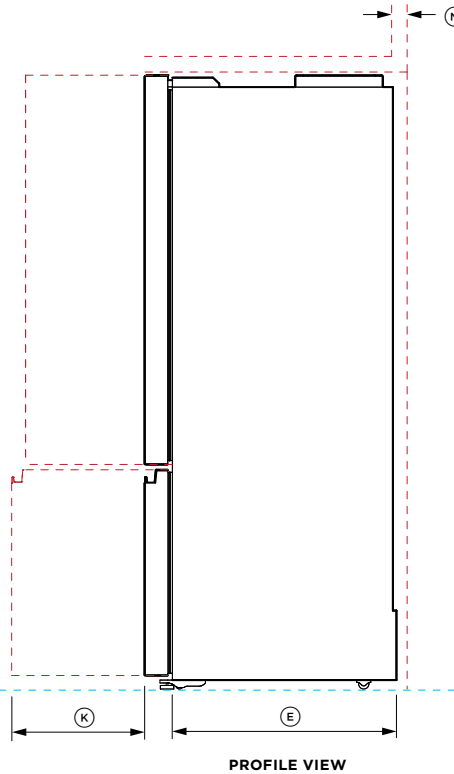
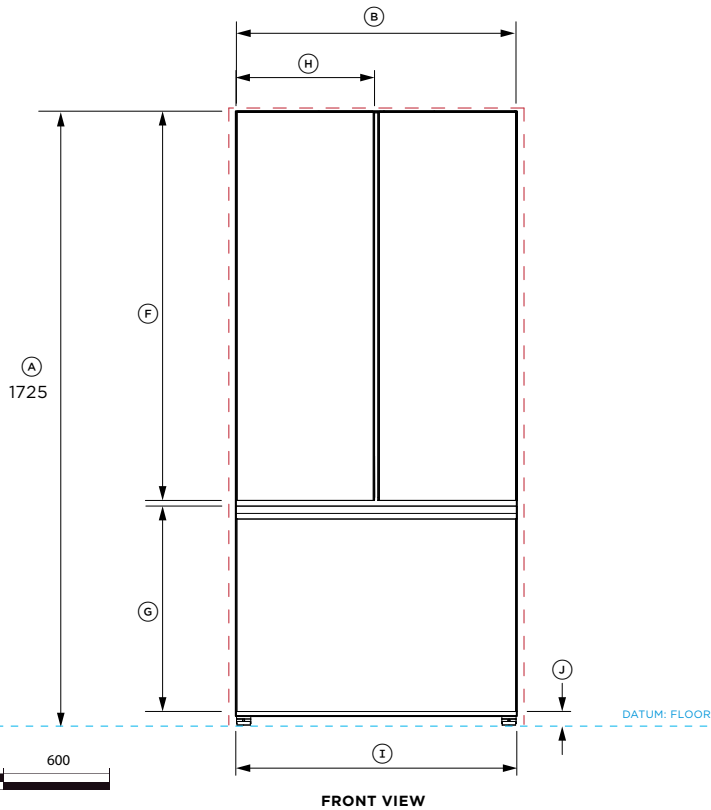
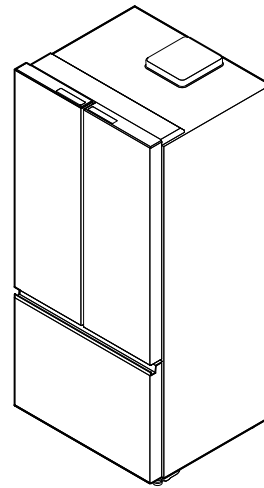
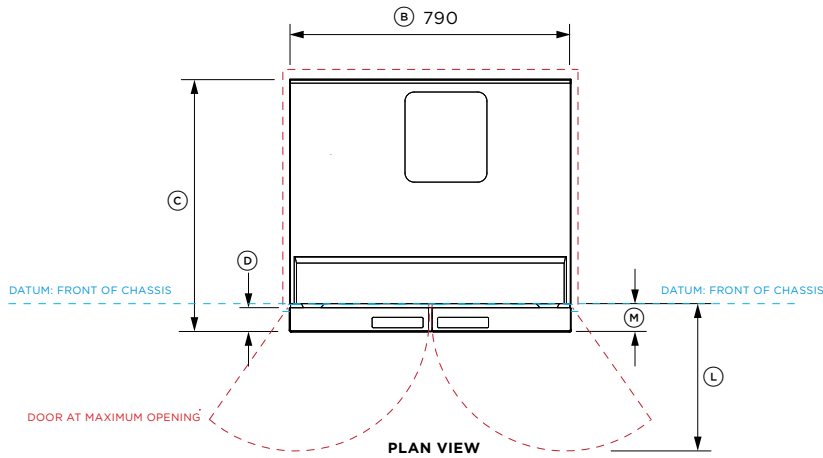
\*Venting cavity must be included either directly over the refrigerator or around an overhead cupboard. Check the Venting Specifications page for details.

\*\*Does not include door opening.

\*\*\*Assumes minimum side clearance of 20mm.

----- INDICATES CABINETRY / PRODUCT DATUM  
 - - - - - INDICATES CABINETRY CLEARANCES  
 - · - · - INDICATES CUTOUT

IMPORTANT NOTE: Throughout this guide, dimensions may vary by ±2mm (1/16"). Please read the installation manual for detailed information on installing the product. For full installation instructions & specifications visit [fisherpaykel.com](http://fisherpaykel.com)



**Model no:**  
RF505ANX1

Product Dimensions	mm
(A) Overall height of product	1725
(B) Overall width of chassis	790
(C) Overall depth of product	707
(D) Overall depth of door	66
(E) Depth of chassis	629

Door Dimensions	mm
(F) Height of door	1095
(G) Height of drawer	578
(H) Width of door	390
(I) Width of drawer	790
(J) Door panel to floor	38

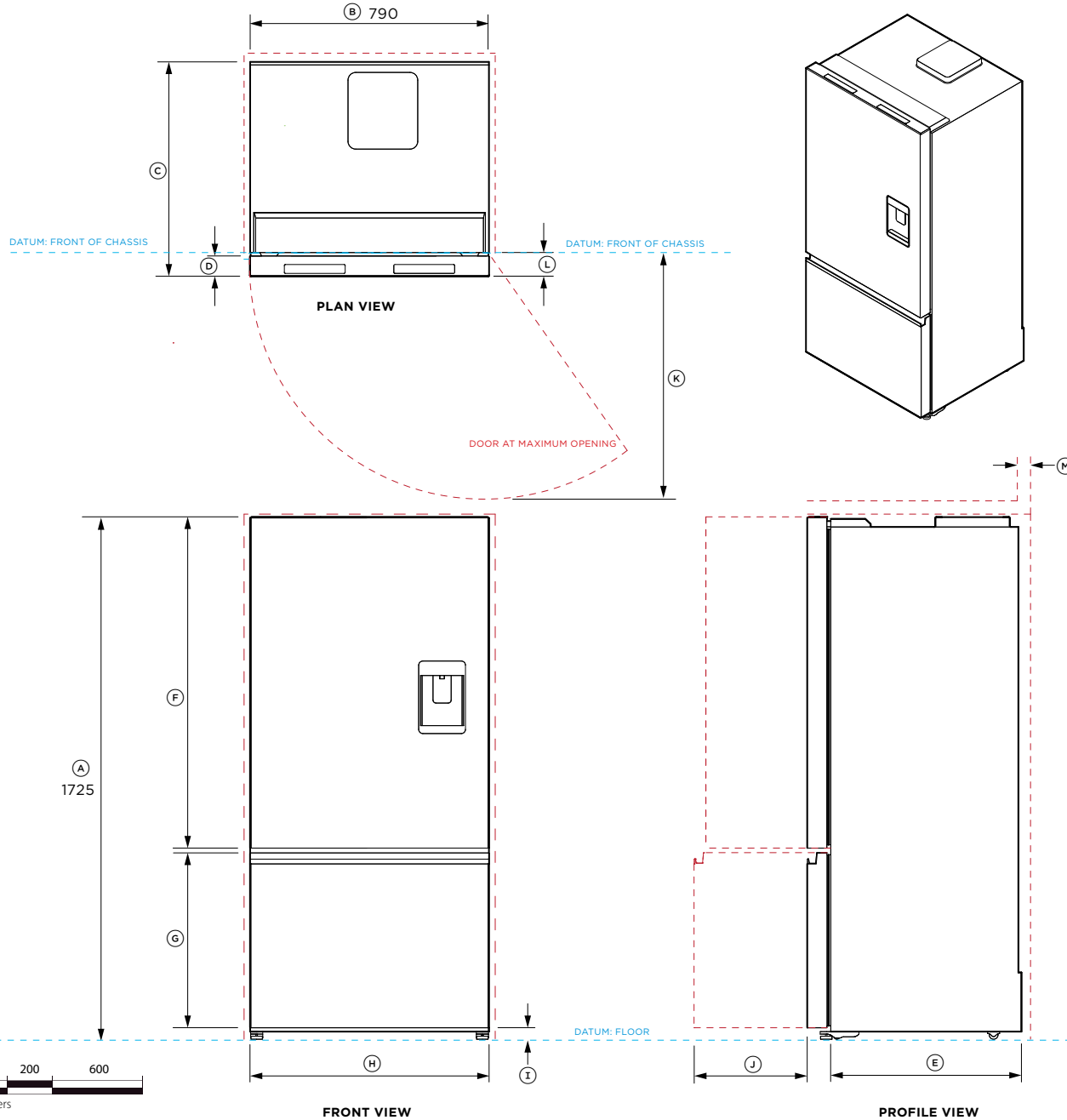
Door/Drawer Opening Dimensions	mm
(K) Depth of drawer (open)	375
(L) Depth of door (max opening) from front of panel**	403
(M) Depth of door to front of chassis	78

Minimum Clearances	mm
(N) Vent cavity*	50
Minimum clearance to chassis side**	20
Minimum rear clearance	30

\*Vent cavity must be included either directly over the refrigerator or around an overhead cupboard. Check the Venting Specifications page for details.  
 \*\*Does not include door opening.  
 \*\*\*Assumes minimum side clearance of 20mm.

----- INDICATES CABINETRY / PRODUCT DATUM  
 - - - - - INDICATES CABINETRY CLEARANCES  
 - · - · - INDICATES CUTOUT

IMPORTANT NOTE: Throughout this guide, dimensions may vary by ±2mm (1/16"). Please read the installation manual for detailed information on installing the product. For full installation instructions & specifications visit [fisherpaykel.com](http://fisherpaykel.com)



**Model no:**

RF505BRNUX1

**Product Dimensions**

**mm**

(A)	Overall height of product	1725
(B)	Overall width of chassis	790
(C)	Overall depth of product	707
(D)	Overall depth of door	66
(E)	Depth of chassis	629

**Door Dimensions**

**mm**

(F)	Height of door	1095
(G)	Height of drawer	578
(H)	Width of door and drawer	790
(I)	Door panel to floor	38

**Door/Drawer Opening Dimensions**

**mm**

(J)	Depth of drawer (open)	375
(K)	Depth of door (max opening) from front of panel**	803
(L)	Depth of door to front of chassis	78

**Minimum Clearances**

**mm**

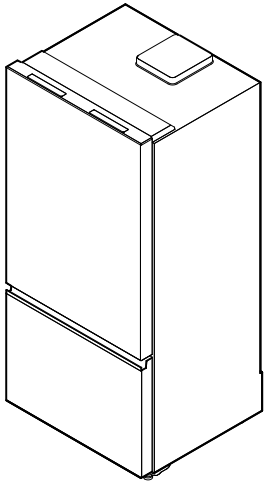
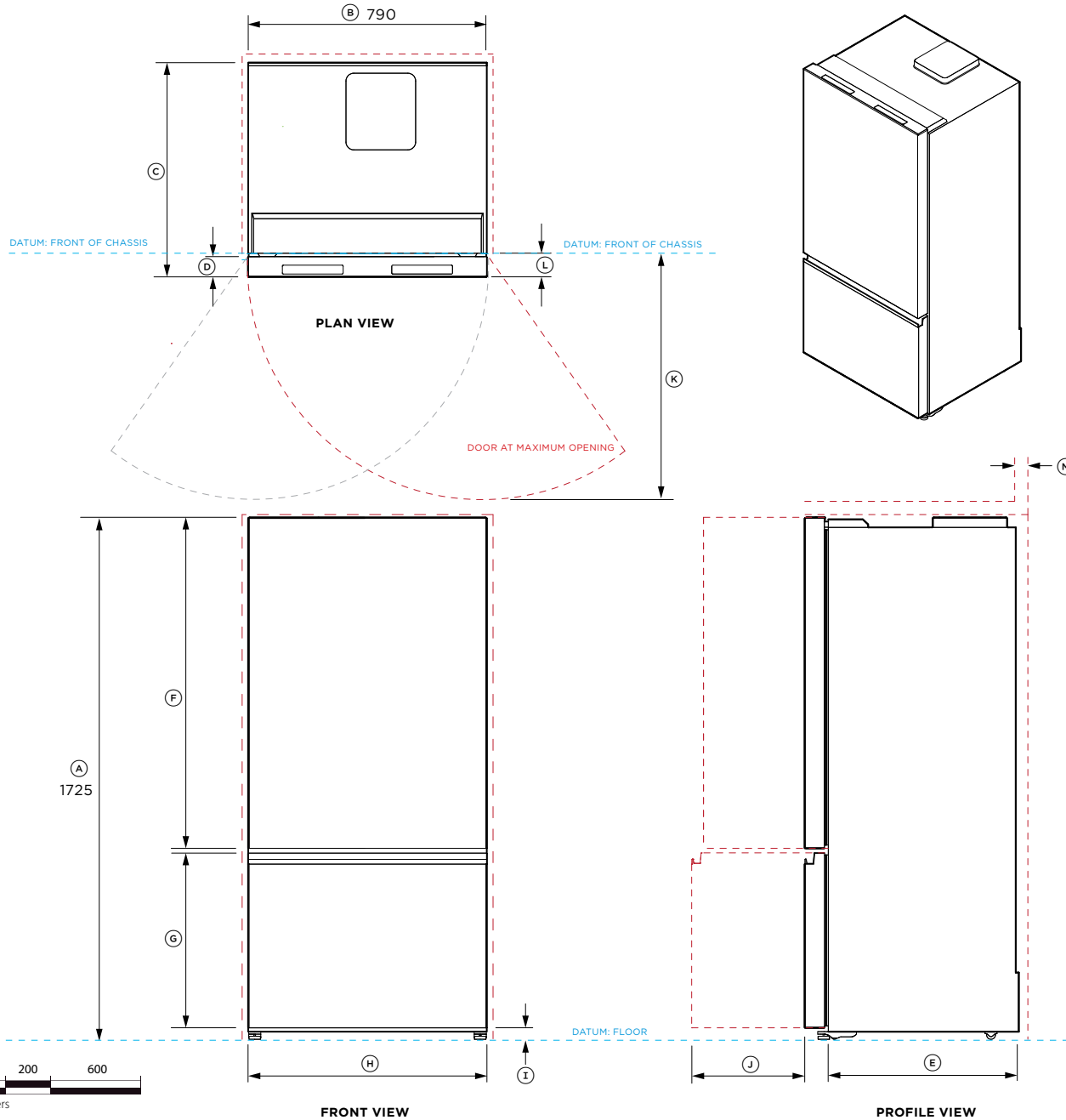
(M)	Vent cavity*	50
	Minimum clearance to chassis side**	20
	Minimum rear clearance	30

\*Vent cavity must be included either directly over the refrigerator or around an overhead cupboard. Check the Venting Specifications page for details.

\*\*Does not include door opening.

\*\*\*Assumes minimum side clearance of 20mm.

IMPORTANT NOTE: Throughout this guide, dimensions may vary by ±2mm (1/16"). Please read the installation manual for detailed information on installing the product. For full installation instructions & specifications visit [fisherpaykel.com](http://fisherpaykel.com)



**Model no:**

**RF505BRNX1**  
**RF505BRNB1**  
**RF505BRNQX1**

Hinges are reversible for left or right installation

**Product Dimensions**

	<b>mm</b>
Ⓐ Overall height of product	1725
Ⓑ Overall width of chassis	790
Ⓒ Overall depth of product	707
Ⓓ Overall depth of door	66
Ⓔ Depth of chassis	629

**Door Dimensions**

	<b>mm</b>
Ⓕ Height of door	1095
Ⓖ Height of drawer	578
Ⓗ Width of door and drawer	790
Ⓘ Door panel to floor	38

**Door/Drawer Opening Dimensions**

	<b>mm</b>
Ⓙ Depth of drawer (open)	375
Ⓚ Depth of door (max opening) from front of panel**	803
Ⓛ Depth of door to front of chassis	78

**Minimum Clearances**

	<b>mm</b>
Ⓜ Vent cavity*	50
Minimum clearance to chassis side**	20
Minimum rear clearance	30

\*Vent cavity must be included either directly over the refrigerator or around an overhead cupboard. Check the Venting Specifications page for details.

\*\*Does not include door opening.

\*\*\*Assumes minimum side clearance of 20mm.

Note: Door hinges are reversible and allow for either left-hand or right-hand installation. A hinging kit is included.

----- INDICATES CABINETRY / PRODUCT DATUM  
 - - - - - INDICATES CABINETRY CLEARANCES  
 - · - · - INDICATES CUTOUT

IMPORTANT NOTE: Throughout this guide, dimensions may vary by ±2mm (1/16"). Please read the installation manual for detailed information on installing the product. For full installation instructions & specifications visit [fisherpaykel.com](http://fisherpaykel.com)

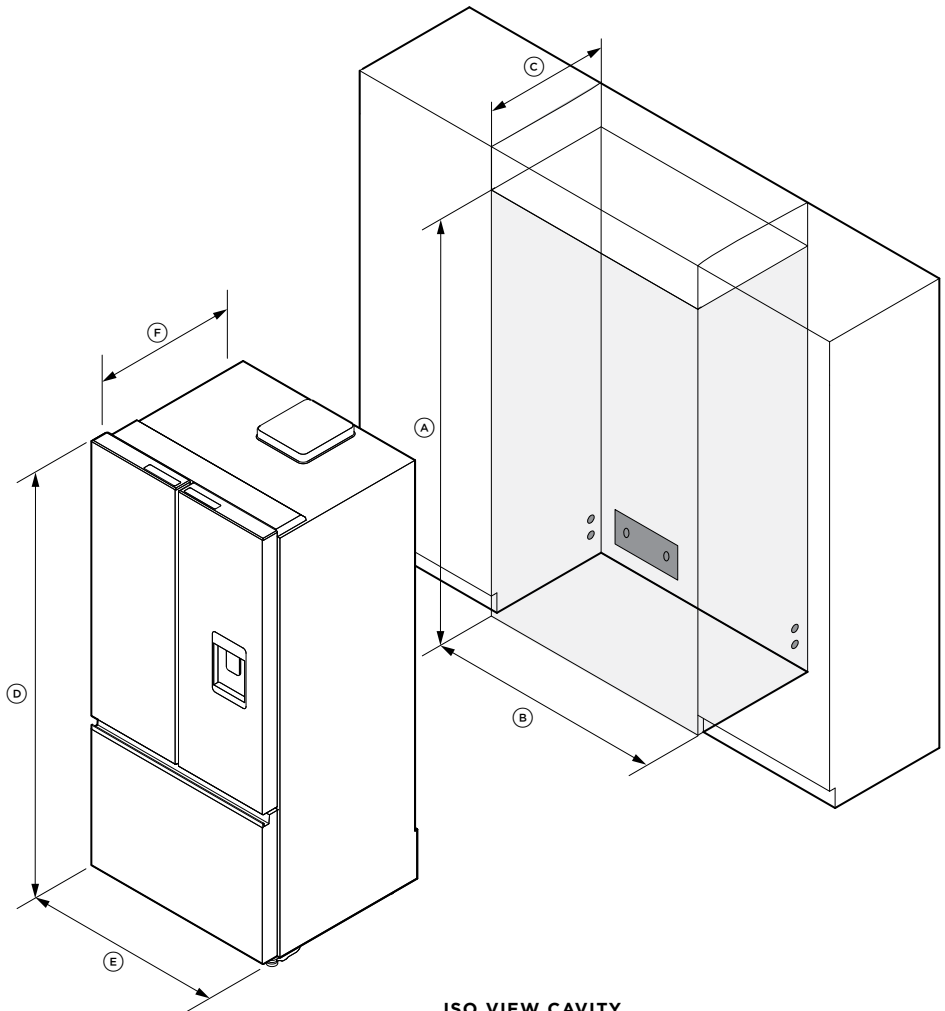
## PLANNING CONSIDERATIONS

DESIGN PLANNING | CAVITY SPECIFICATIONS

CAVITY SPECIFICATIONS

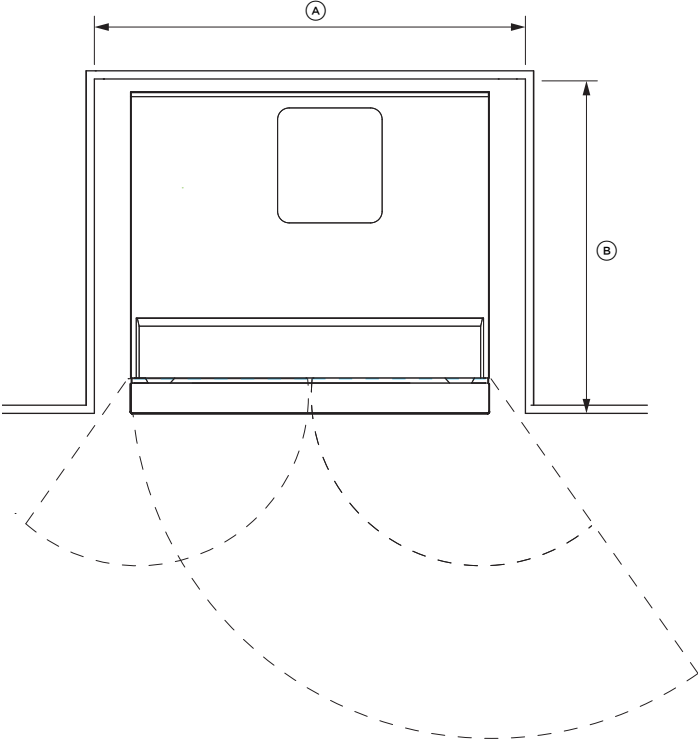
Dimensions	mm
(A) Minimum cavity height*	1735
(B) Minimum cavity width	
Flush to door - maximum opening	950
Flush to chassis - maximum opening	830
(C) Minimum cavity depth**	
Flush to door - maximum opening	737
Flush to chassis - maximum opening	650
(D) Product height	1725
(E) Product width	790
(F) Product depth	707

\*The minimum cabinet gap above door panels is 10mm  
 \*\*Water and electrical connections must not protrude from the wall if located behind the refrigerator.



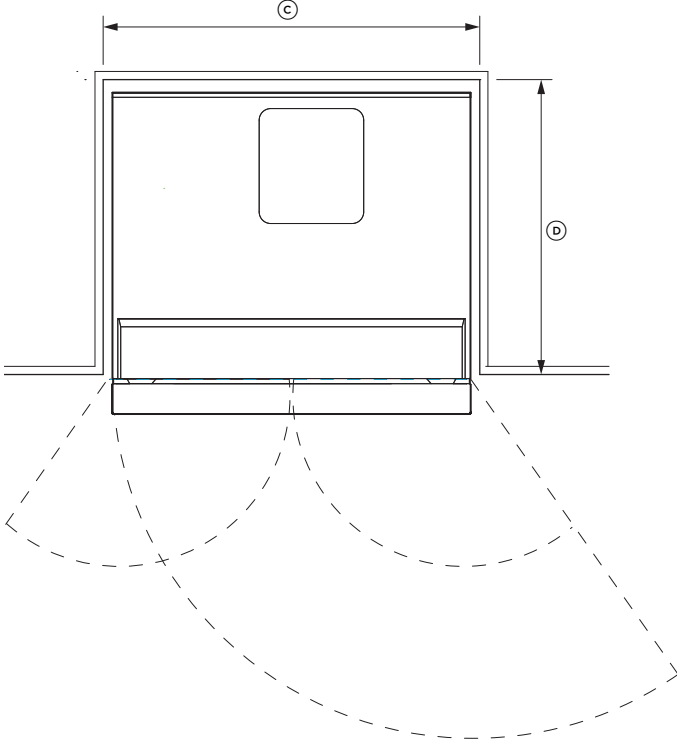
ISO VIEW CAVITY

The models shown in this Planning Guide may not be available in all markets and are subject to change at any time. Product specifications may vary from those shown. This Planning Guide should not be used as installation guidance for any product. Further information is required to safely and correctly install the products featured here. Specific installation guidance will be available with the product on delivery and on our website fisherpaykel.com



**FLUSH TO DOOR - MAXIMUM OPENING**

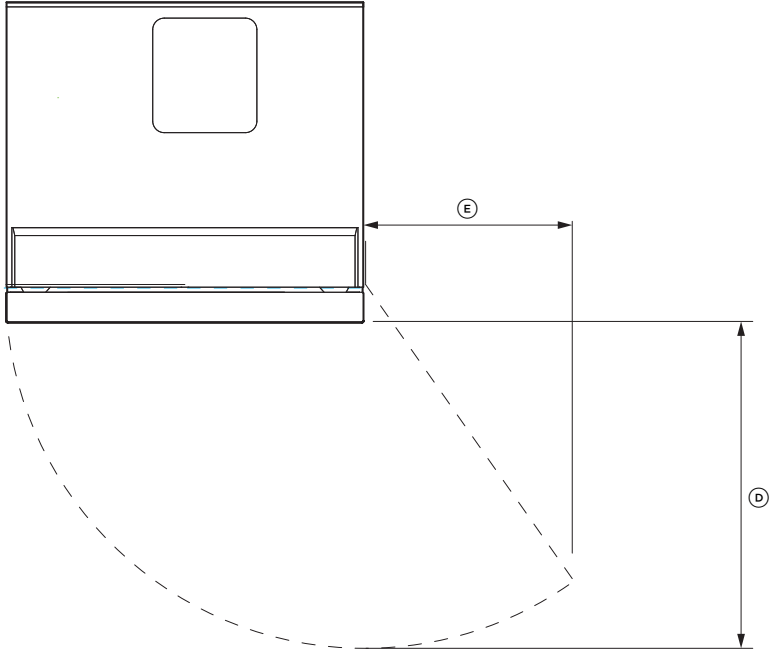
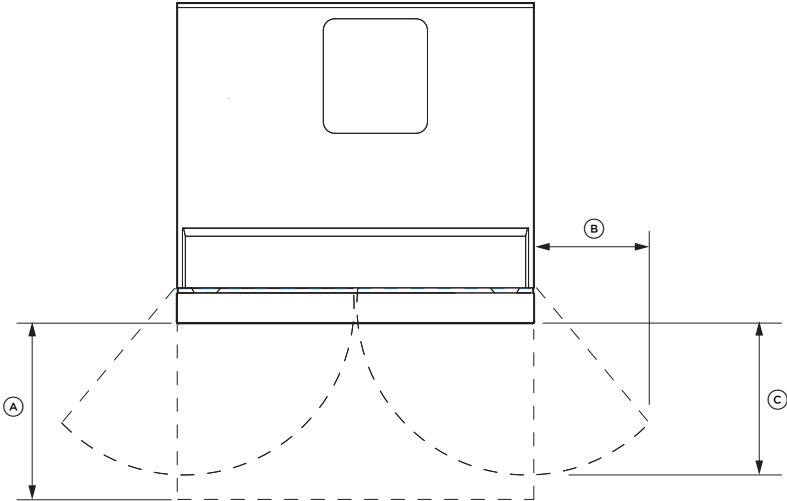
Dimensions	mm
Ⓐ Minimum cavity width	950
Ⓑ Minimum cavity depth	737



**FLUSH TO CHASSIS - MAXIMUM OPENING**

Dimensions	mm
Ⓒ Minimum cavity width	830
Ⓓ Minimum cavity depth	650

The models shown in this Planning Guide may not be available in all markets and are subject to change at any time. Product specifications may vary from those shown. This Planning Guide should not be used as installation guidance for any product. Further information is required to safely and correctly install the products featured here. Specific installation guidance will be available with the product on delivery and on our website [fisherpaykel.com](http://fisherpaykel.com)



**FRENCH DOOR REFRIGERATOR FREEZER**

Dimensions Maximum Opening		mm
Ⓐ	Drawer open clearance	375
Ⓑ	Door open distance from chassis	255
Ⓒ	Door open clearance	341

**REFRIGERATOR FREEZER**

Dimensions Maximum Opening		mm
Ⓓ	Door open clearance	720
Ⓔ	Door open distance from chassis	462

The models shown in this Planning Guide may not be available in all markets and are subject to change at any time. Product specifications may vary from those shown. This Planning Guide should not be used as installation guidance for any product. Further information is required to safely and correctly install the products featured here. Specific installation guidance will be available with the product on delivery and on our website fisherpaykel.com

**VENTING**

A 50mm vent is required above the refrigerator or around an upper cupboard.



**VENTING ABOVE REFRIGERATOR FREEZER**

Dimensions	mm
Ⓐ Minimum cavity height	1735
Ⓑ Minimum vent	50

**VENTING ABOVE UPPER CUPBOARD**

Dimensions	mm
Ⓒ Minimum cavity height	1735
Ⓓ Minimum vent	50
Ⓔ Minimum vent	50

The models shown in this Planning Guide may not be available in all markets and are subject to change at any time. Product specifications may vary from those shown. This Planning Guide should not be used as installation guidance for any product. Further information is required to safely and correctly install the products featured here. Specific installation guidance will be available with the product on delivery and on our website [fisherpaykel.com](http://fisherpaykel.com)

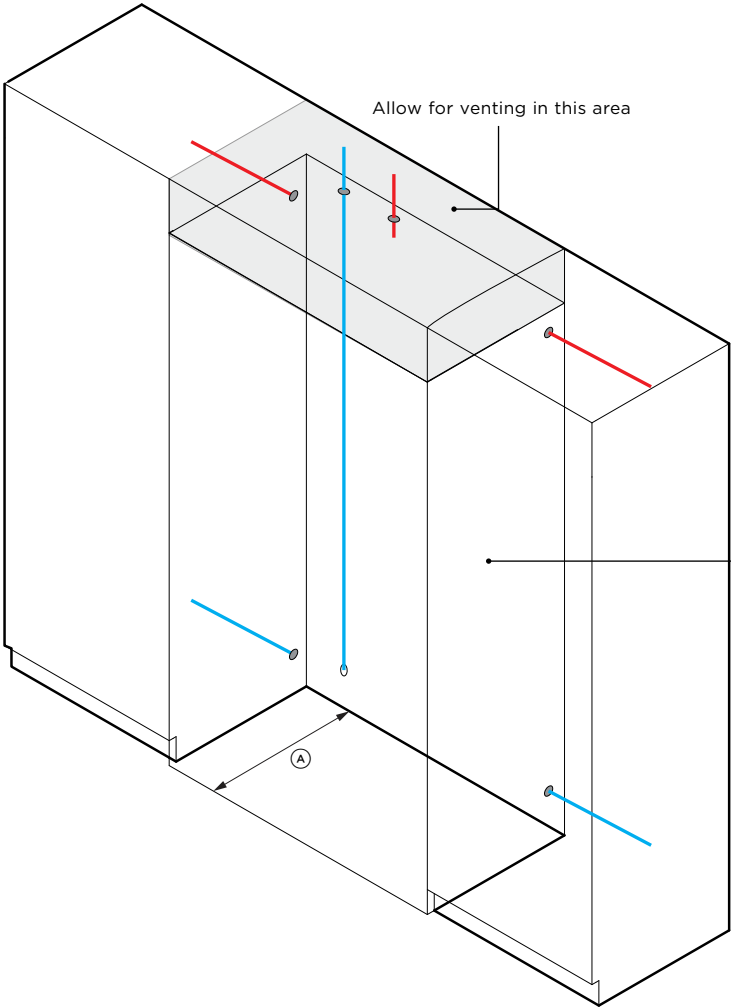
**SERVICE SPECIFICATIONS**

Electrical and water connections should be located in an adjacent cabinet to either side, or above the refrigerator cavity.

Ensure that the power and water connection is accessible after installation.

Cavity Dimensions		mm
Ⓐ	Minimum cavity depth*	
	Flush to door	737
	Flush to chassis	650

\*For minimum cavity depths with surrounding cabinetry, water and electrical connections must not protrude from the wall if located behind the refrigerator.  
 Allow for an 80mm bend radius for the water hose.



**ISO VIEW - CAVITY  
 HOSE & ELECTRICAL ROUTING OPTIONS**

The models shown in this Planning Guide may not be available in all markets and are subject to change at any time. Product specifications may vary from those shown. This Planning Guide should not be used as installation guidance for any product. Further information is required to safely and correctly install the products featured here. Specific installation guidance will be available with the product on delivery and on our website fisherpaykel.com

## SERVICES

**Electrical / Plumbing Specifications**

**RF505ANUX1, RF505ANUB1** French Door Refrigerator Freezer

---

**Specifications**

---

**Electrical**

Supply	220V - 240V, 50Hz
Service	10 A circuit

---

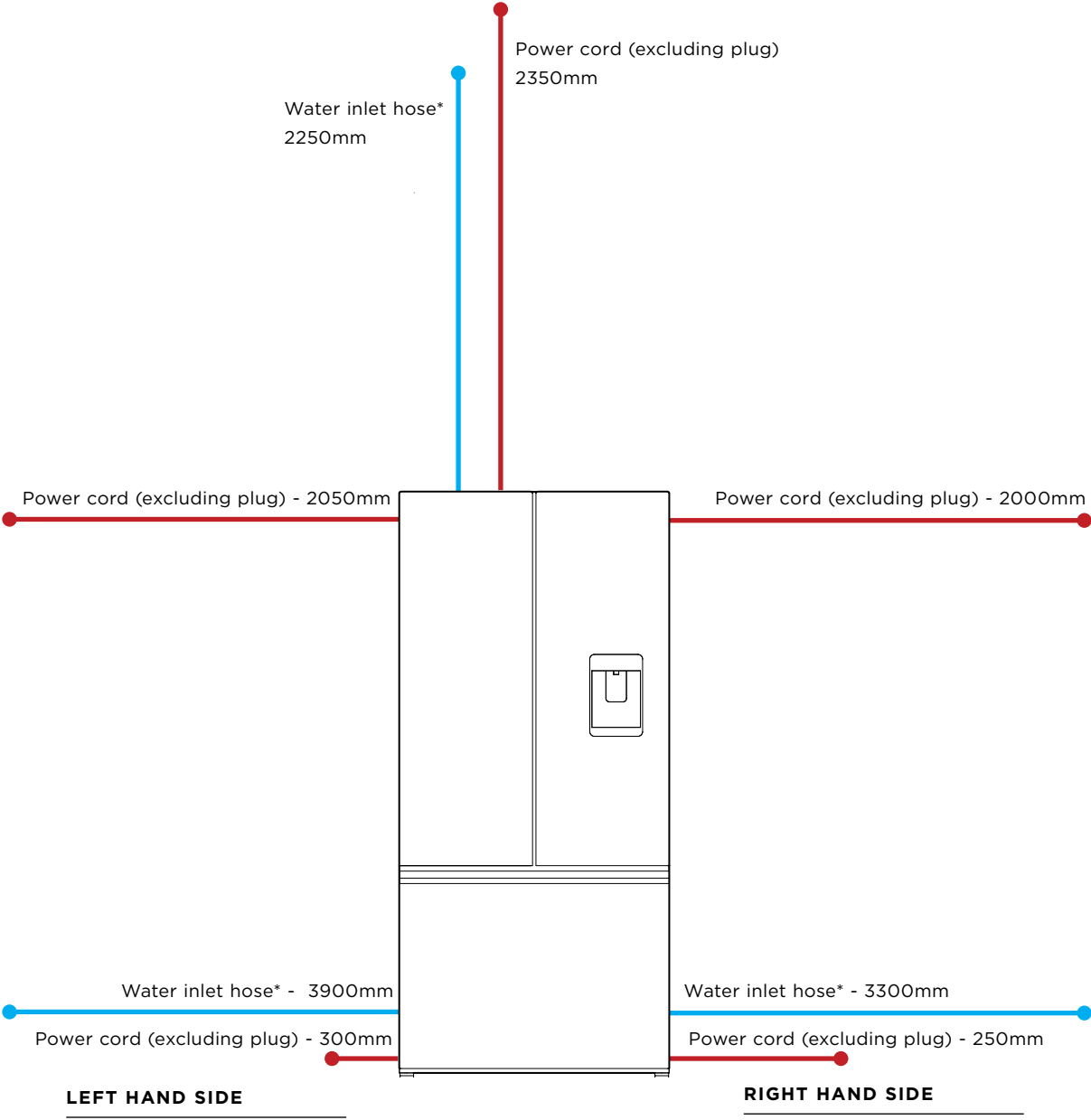
**Plumbing**

Water Supply	1/4" LLDPE piping
Pressure	Min 150 kPa (22 psi) Max 827 kPa (120 psi) @ 68°F (20°C)

---

\*Water inlet hose dimensions apply to ice and water models only.

Connections may be located in an adjacent cabinet to either side of the fridge or above the fridge cavity.

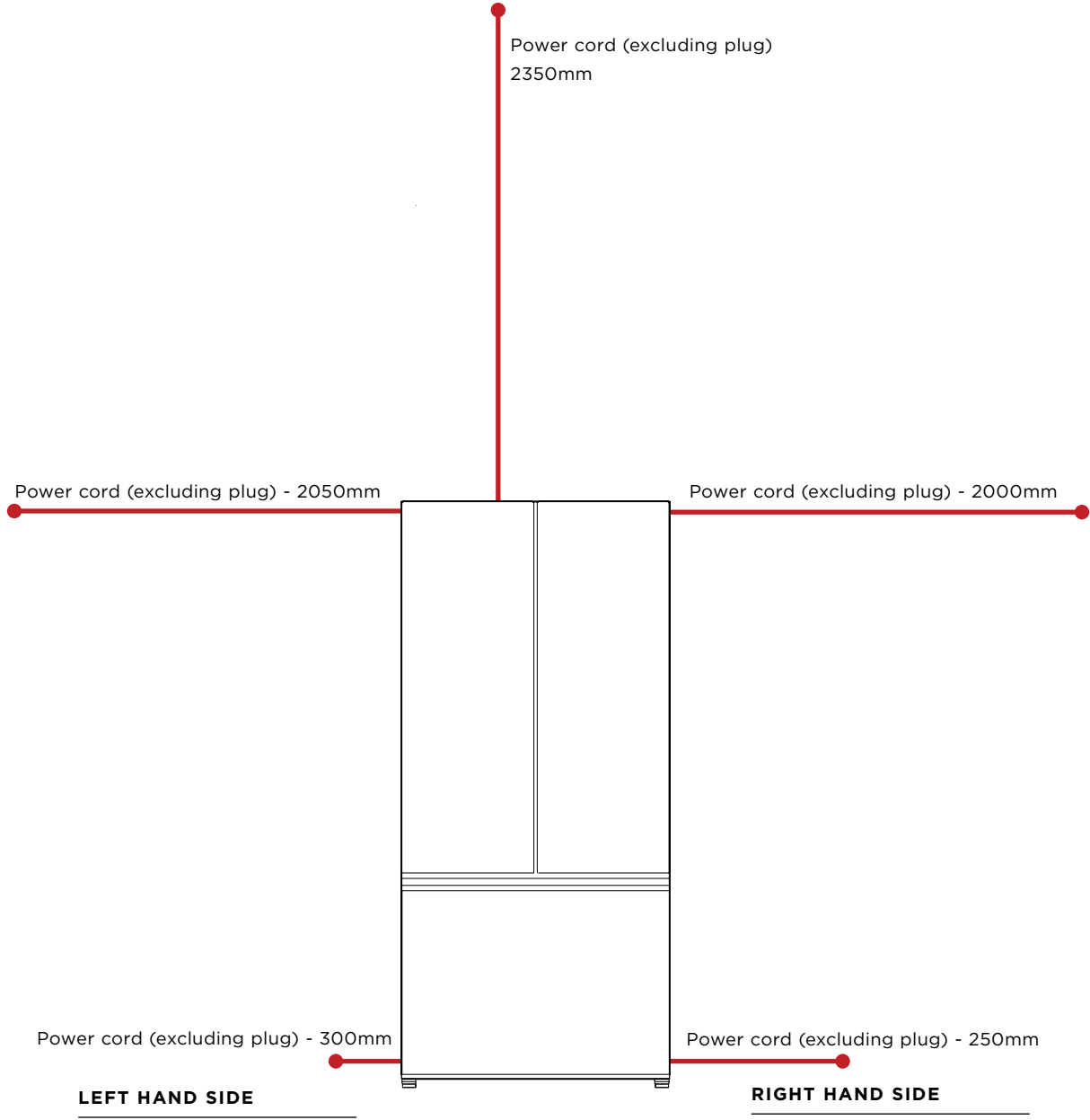


The models shown in this Planning Guide may not be available in all markets and are subject to change at any time. Product specifications may vary from those shown. This Planning Guide should not be used as installation guidance for any product. Further information is required to safely and correctly install the products featured here. Specific installation guidance will be available with the product on delivery and on our website fisherpaykel.com

**Electrical / Plumbing Specifications**

<b>RF505ANX1</b>	French Door Refrigerator Freezer
<b>Specifications</b>	
<b>Electrical</b>	
Supply	220V - 240V, 50Hz
Service	10 A circuit

Connections may be located in an adjacent cabinet to either side of the fridge or above the fridge cavity.

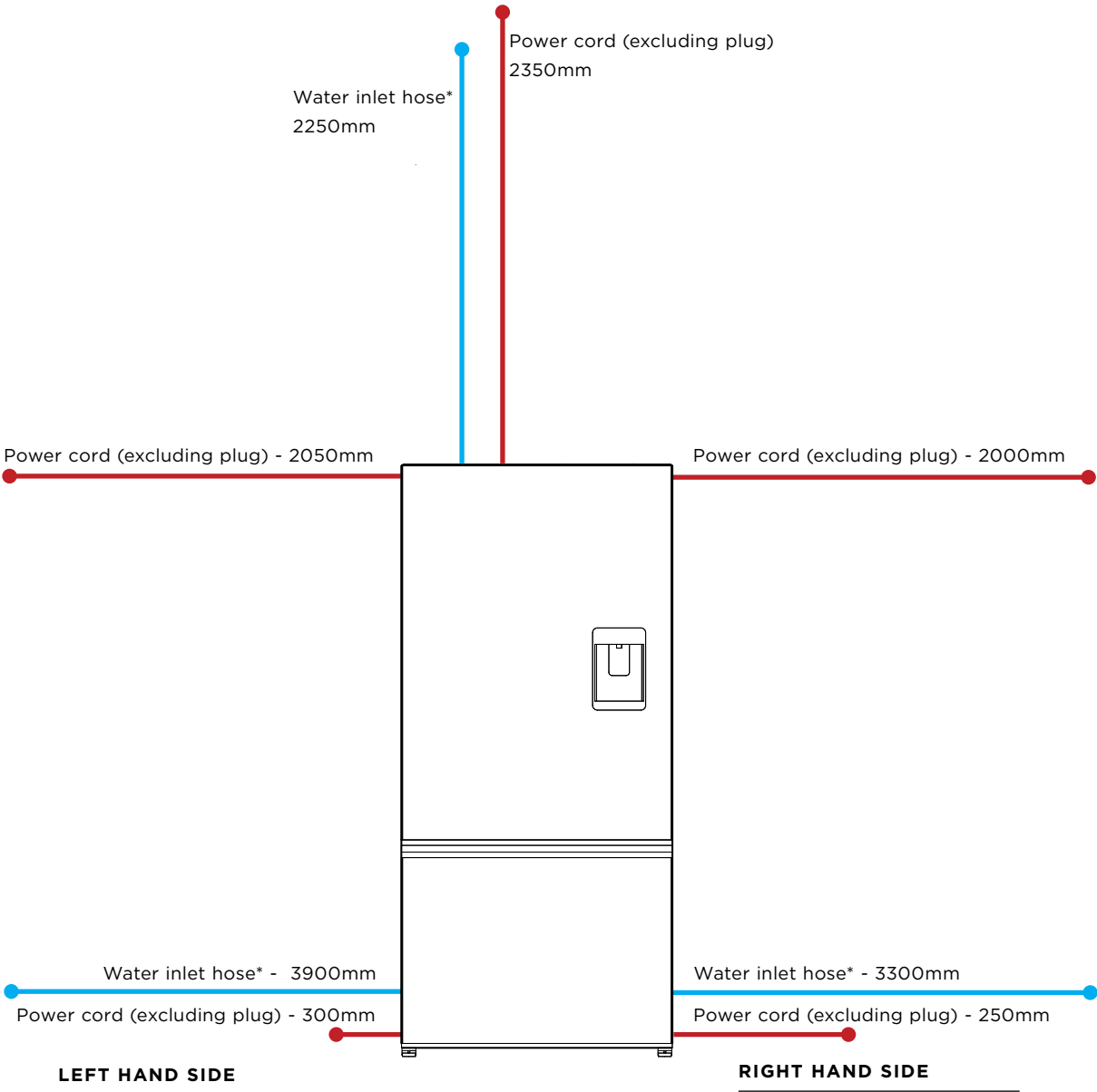


The models shown in this Planning Guide may not be available in all markets and are subject to change at any time. Product specifications may vary from those shown. This Planning Guide should not be used as installation guidance for any product. Further information is required to safely and correctly install the products featured here. Specific installation guidance will be available with the product on delivery and on our website fisherpaykel.com

Electrical / Plumbing Specifications	
<b>RF505BRNUX1</b>	Refrigerator Freezer
<b>Specifications</b>	
<b>Electrical</b>	
Supply	220V - 240V, 50Hz
Service	10 A circuit
<b>Plumbing</b>	
Water Supply	1/4" LLDPE piping
Pressure	Min 150 kPa (22 psi) Max 827 kPa (120 psi) @ 68°F (20°C)

\*Water inlet hose dimensions apply to ice and water models only.

Connections may be located in an adjacent cabinet to either side of the fridge or above the fridge cavity.



The models shown in this Planning Guide may not be available in all markets and are subject to change at any time. Product specifications may vary from those shown. This Planning Guide should not be used as installation guidance for any product. Further information is required to safely and correctly install the products featured here. Specific installation guidance will be available with the product on delivery and on our website fisherpaykel.com

**Electrical / Plumbing Specifications**

**RF505BRNB1, RF505BRNQX1** Refrigerator Freezer  
**RF505BRNX1**

---

**Specifications**

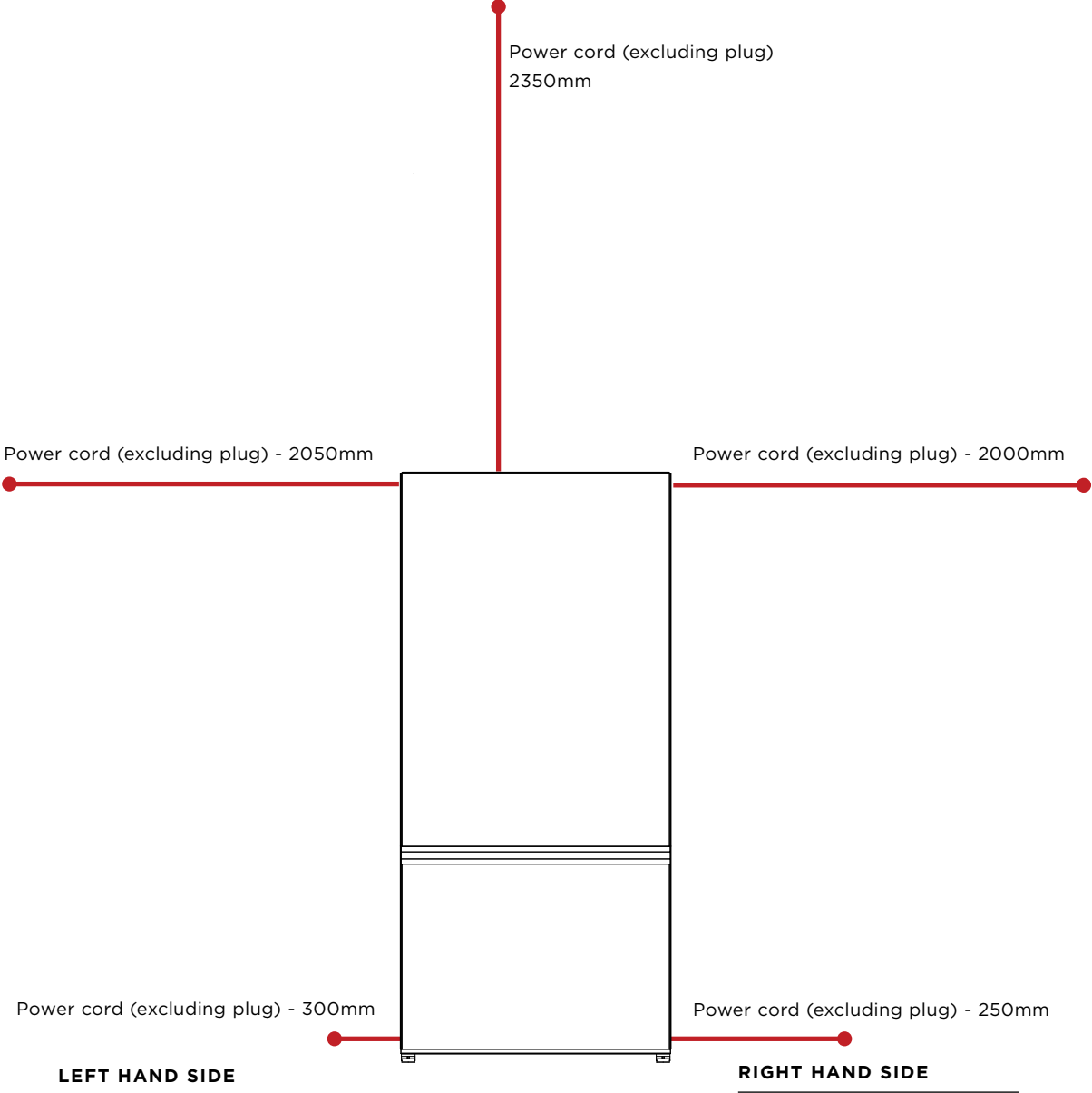
---

**Electrical**

Supply	220V - 240V, 50Hz
Service	10 A circuit

---

Connections may be located in an adjacent cabinet to either side of the fridge or above the fridge cavity.



The models shown in this Planning Guide may not be available in all markets and are subject to change at any time. Product specifications may vary from those shown. This Planning Guide should not be used as installation guidance for any product. Further information is required to safely and correctly install the products featured here. Specific installation guidance will be available with the product on delivery and on our website fisherpaykel.com

