

# **FISHER & PAYKEL**

## **INTEGRATED COOLDRAWER™ WITH ASSISTED OPENING ACCESSORY**

---

**MULTI-TEMPERATURE DRAWER**

RB90S

**ASSISTED OPENING ACCESSORY**

OPEX1

**INSTALLATION GUIDE**

**NZ AU SG**



## CONTENTS

---

Safety and warnings	4
Integrated CoolDrawer™	5
Supplied parts	5
Handle kit	6
CoolDrawer™ dimensions	7
Assisted Opening Accessory dimensions	8
Product and cabinetry overview	9
Cabinetry dimensions	10
Custom panel dimensions	13
Electrical connection	14
Cabinet preparation	15
Install Assisted Opening Accessory	16
Cabinetry preparation	17
Attach power cord & trim brackets	18
Position product into cabinetry	18
Panel preparation	19
Attach drawer panel	19
Attach bridge trim	21
Attach lens cover	21
Secure product to cabinetry	21
Attach side trims to cabinetry	21
Test Assisted Opening Accessory	22
Final checklist	23

**⚠ WARNING!**



**Electric Shock Hazard**

Failure to follow this advice may result in electrical shock or death.

- Read and follow the safety and warnings outlined in this installation guide before operating this appliance.

**⚠ WARNING!**



**Cut Hazard**

Failure to use caution could result in injury.

- Take care: panel edges may be sharp.
- Do not put fingers in the drawers when closing.

**⚠ WARNING!**



**Tip Hazard**

- Do not operate this appliance until it has been securely anchored inside the cabinetry.

**To ensure that the appliance is stable under all loading conditions:**

- The appliance must be securely anchored to the floor by a professional installer according to the installation steps in this guide.

**READ AND SAVE THIS GUIDE**

**WARNING!**

To avoid hazard, follow these instructions carefully before installing or using this appliance.

- Please make this information available to the persons installing the appliance.
- Assume all electrical parts are live.
- Disconnect power supply before servicing and installation.

**BEFORE INSTALLATION**

- The appliance must be installed by a qualified installer, or Fisher and Paykel trained and supported service technician to avoid faulty electrical connection.
- All connections for electrical power and grounding must comply with local codes and ordinances and be made by licensed personnel when required.
- Avoid installation of the appliance/s under a ground fault circuit interrupter (GFCI).
- Ensure the appliance is installed properly. Improper installation that results in appliance failure is not covered under the appliance warranty.

**UNPACKING**

- Remove all packaging materials supplied with the appliance.
- Avoid scratching the surface of your appliance when moving or installing.
- If the appliance is damaged, contact your Fisher and Paykel dealer.
- Ensure all components and accessories are complete.

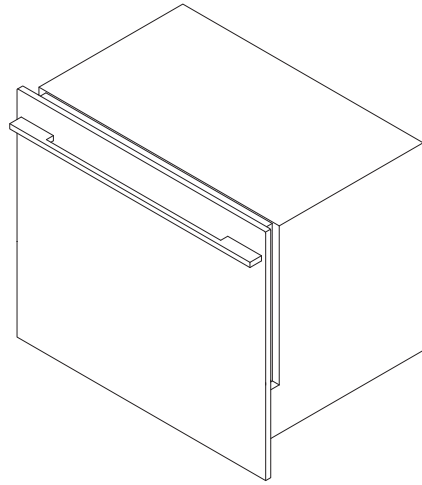
**ELECTRICAL/PLUMBING**

- We recommend to locate the electrical connection of the appliance in an adjacent area or unit (cabinet or cupboard) that are easily accessible in case of repair or disconnection.
- Ensure the power outlet is located outside the cavity, within 1850mm from the CoolDrawer™ cavity if situated on the left-hand side of the cavity, and within 1250mm if situated on the right-hand side of the cavity.
- The services hole in the cavity needs to be large enough for the power supply plug to fit through.

**INSTALLATION**

- The installation bracket and fittings supplied must be fitted to the wall of the finished enclosure to withstand a 100kg load.
- Ensure that the installation bracket is installed correctly to prevent the possibility of the appliance tipping forward when the drawer is open.
- Ensure the power cord is not run over or damaged when installing the product into the cabinetry.
- For flush installation, ensure the drawer panel is installed flush with cabinetry front surface. Ensure the appliance is properly centered.
- Complete the final checklist after installation is complete.
- Protect the finish of the Fisher and Paykel Stainless Steel door panel from any scratch or damage.
- If using Custom door panels, ensure they are prepared as per 'Custom door panel install dimensions' section.
- The thickness of the custom door panel can vary as long as the screws do not penetrate beyond the full depth of the door panel, and as long as the overall weight of door panel does not exceed the allowable weight. Refer to 'Door panel dimensions' for maximum door panel weight of your product.

# INTEGRATED COOLDRAWER™



With Contemporary style handle

# SUPPLIED PARTS



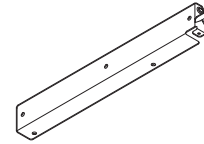
Installation guide



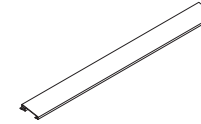
Service & Warranty



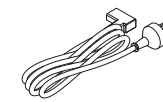
User guide



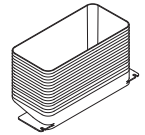
Installation brackets (2x)



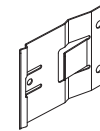
Installation trim (2x)



Power cord (1x)



Vent duct (1x)



Trim brackets (4x)



Drawer panel attachment hooks (3x)

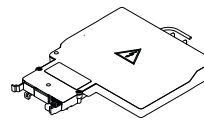


8Gx16 Countersunk screw (12x)



16mm Pan head screw (14x)

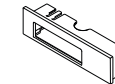
## ASSISTED OPENING ACCESSORY



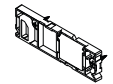
Assisted Opening Accessory



Power cord



Lens cover



Striker plate assembly

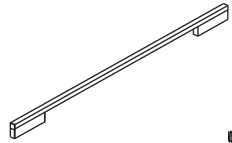


Striker plate cover

## HANDLE KIT

The handle kit is not supplied and must be purchased separately through an authorised Fisher & Paykel dealer. Visit [fisherpaykel.com](http://fisherpaykel.com) for more information.

### Contemporary

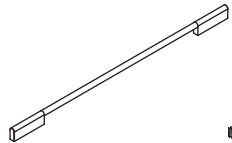


Square handle (1x)



M5x25 Hex screw (4x)

DESCRIPTION	MODEL CODE
Stainless steel silver square handle	AHD3-RB90S
Stainless steel silver square fine handle	AHD5-RD90S
Stainless steel black square fine handle	AHD5-RD90SB



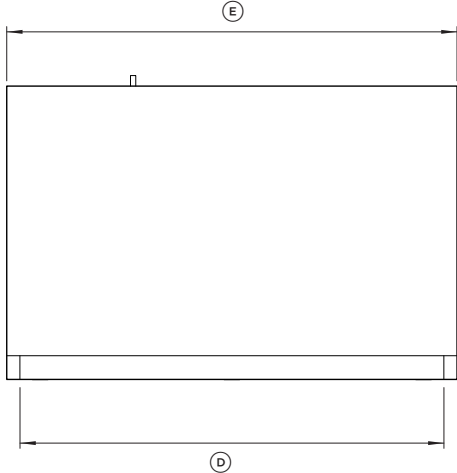
Round handle (1x)



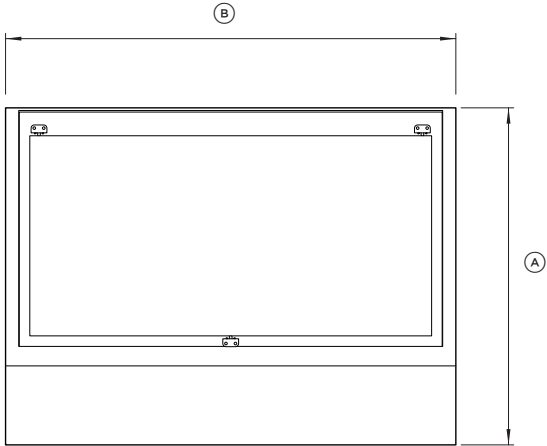
M5x25 Hex screw (4x)

DESCRIPTION	MODEL CODE
Aluminium silver round handle	AHS-RB90S

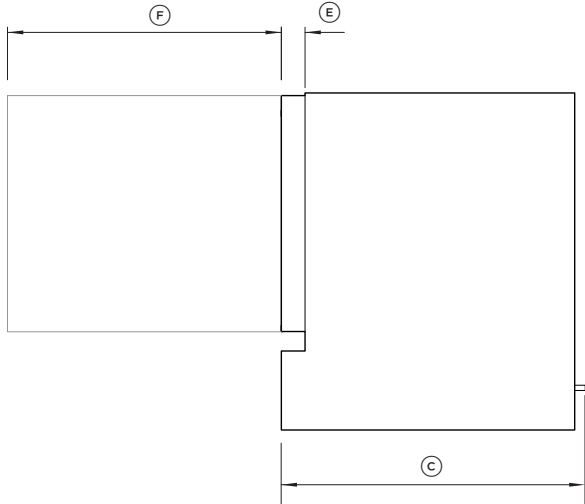
**COOLDRAWER™ DIMENSIONS**



PLAN VIEW



FRONT VIEW

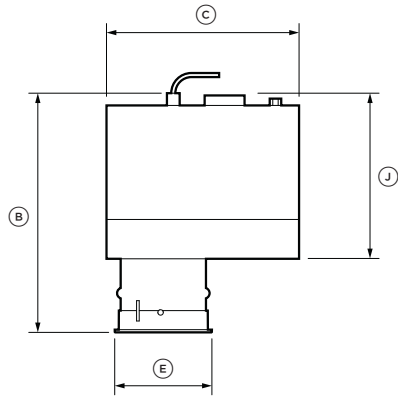


PROFILE VIEW

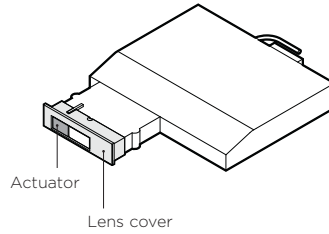
<b>PRODUCT DIMENSIONS</b>		<b>MM</b>
Ⓐ	Overall height of product*	640
Ⓑ	Overall width of product*	860
Ⓒ	Depth of chassis**	557
Ⓓ	Width of internal drawer front	805
Ⓔ	Depth of internal drawer front	45
Ⓕ	Depth of drawer (open) measured from front*	520

\* Does not include custom door panel and handle.  
 \*\* Includes power terminal.

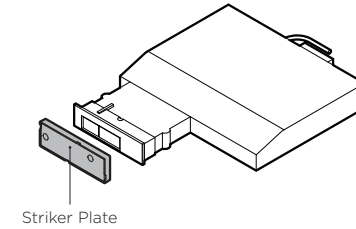
## ASSISTED OPENING ACCESSORY DIMENSIONS



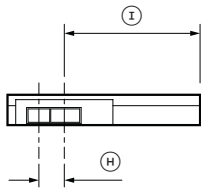
PLAN VIEW



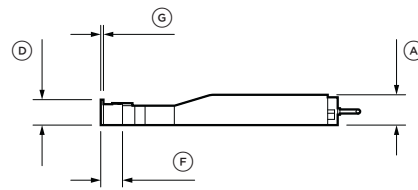
ISOMETRIC VIEW



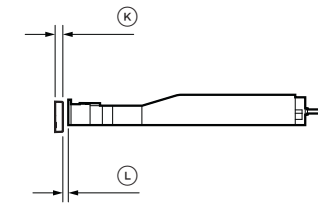
ISOMETRIC VIEW



FRONT VIEW



PROFILE VIEW



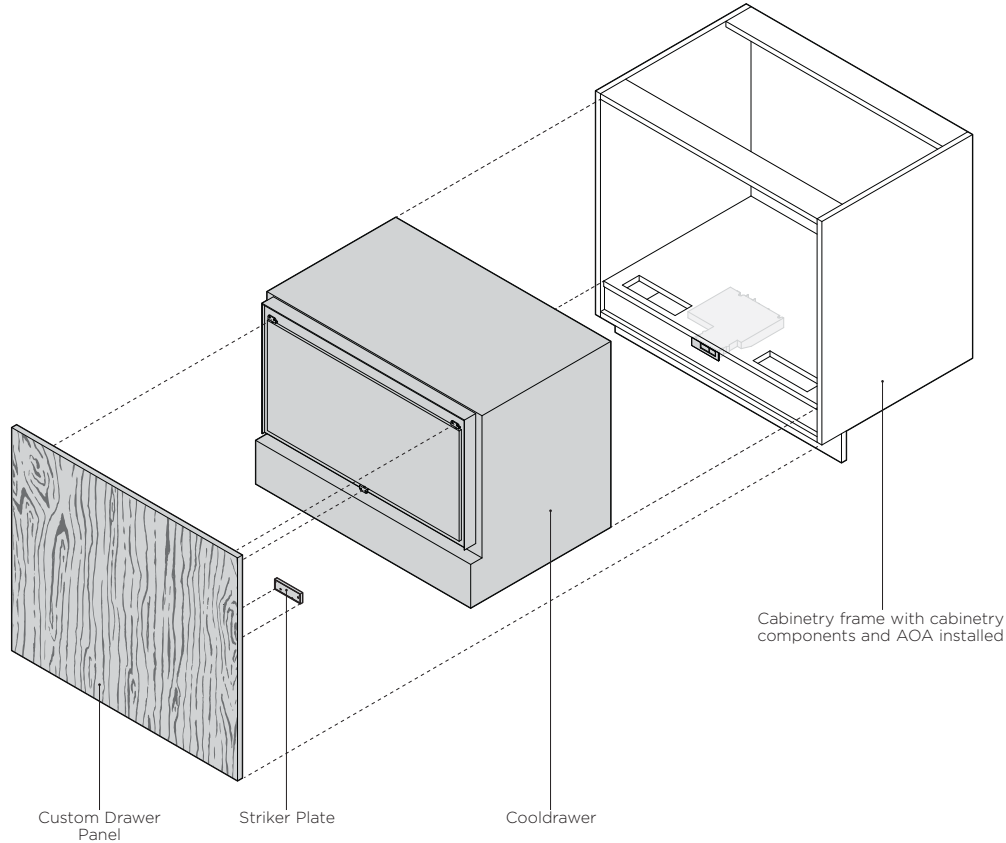
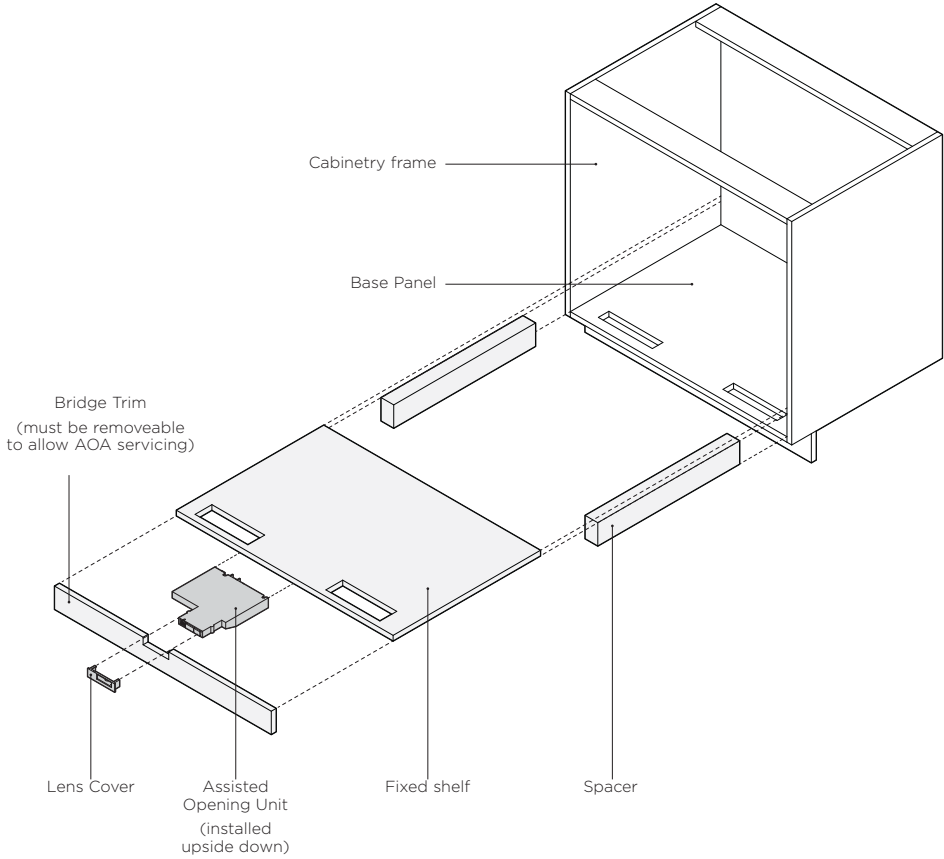
PROFILE VIEW

ASSISTED OPENING ACCESSORY DIMENSIONS	MM
(A) Overall height of Assisted Opening Accessory	34
(B) Overall depth of Assisted Opening Accessory	264
(C) Overall width of Assisted Opening Accessory	213
(D) Height of lens cover	28
(E) Width of lens cover	107
(F) Depth of lens cover	24

ASSISTED OPENING ACCESSORY DIMENSIONS	MM
(G) Depth of lens cover flange	3
(H) Distance between centre of lens cover and centre of actuator*	28
(I) Distance between center of lens cover and outside of main body	150
(J) Depth of main body	182
(K) Depth of Striker Plate	9
(L) Distance between lens cover and striker plate - CRITICAL	6

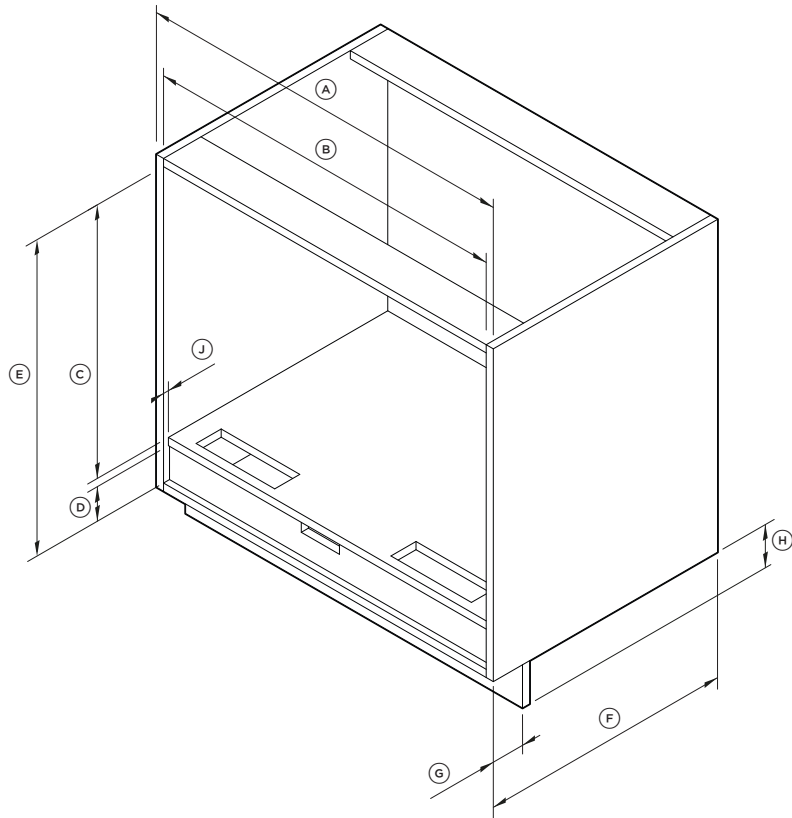
\* Recommended for centre of actuator to be centred in appliance cavity

PRODUCT AND CABINETY OVERVIEW

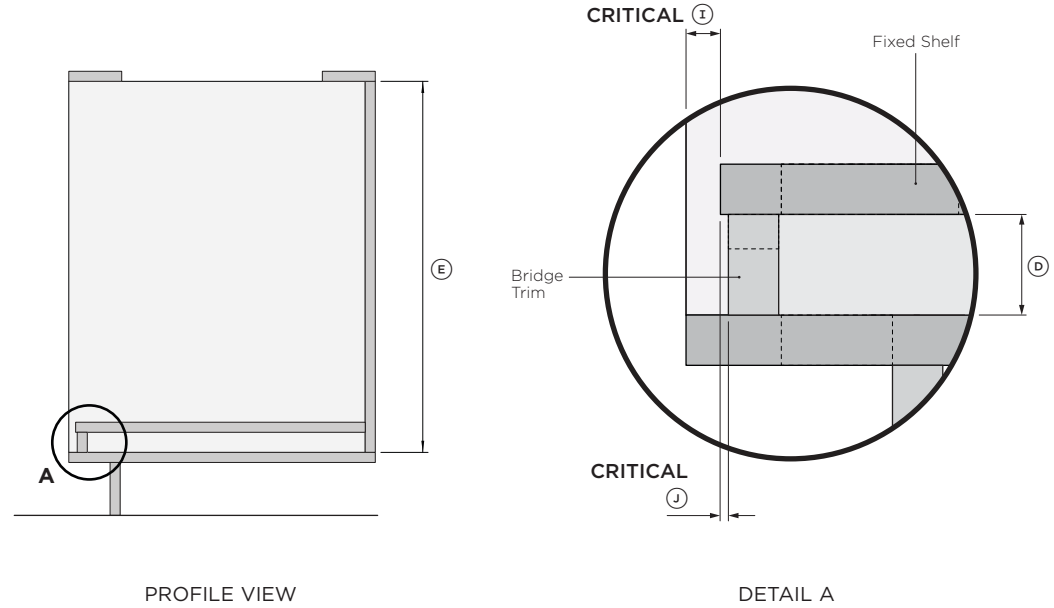


EXPLODED ISOMETRIC VIEW

## CABINETY DIMENSIONS



ISOMETRIC VIEW



PROFILE VIEW

DETAIL A

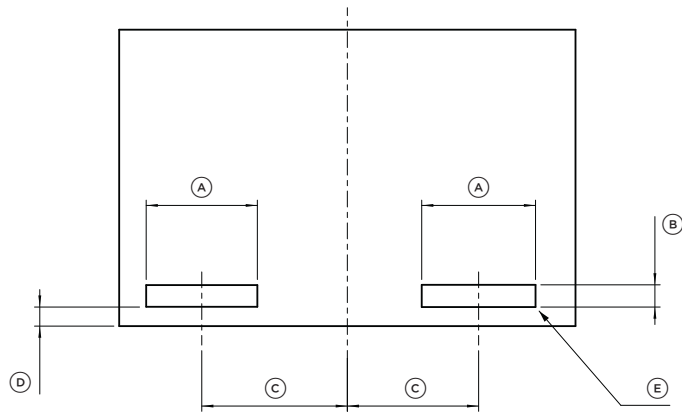
DIMENSIONS	MM
Ⓐ Overall width of cabinetry frame	900
Ⓑ Inside width of cabinetry frame	862
Ⓒ Inside height from top inner face of cabinetry frame to top fixed shelf	644
Ⓓ Clearance height for AOA unit *	min 38
Ⓔ Inside height of cabinetry frame **	min 701
Ⓕ Inside depth of cabinetry carcass	min 560
Ⓖ Distance from front of cabinet carcass to front of kick panel	min 78
Ⓗ Kick height	min 50
Ⓘ Fixed shelf set back from front of cabinetry carcass - <b>CRITICAL</b>	11
Ⓙ Bridge trim set back from front of fixed shelf - <b>CRITICAL</b>	3

\* Increase to suit taller cabinet height

\*\* Includes 19mm fixed shelf

## CABINETY DIMENSIONS

### BASE PANEL

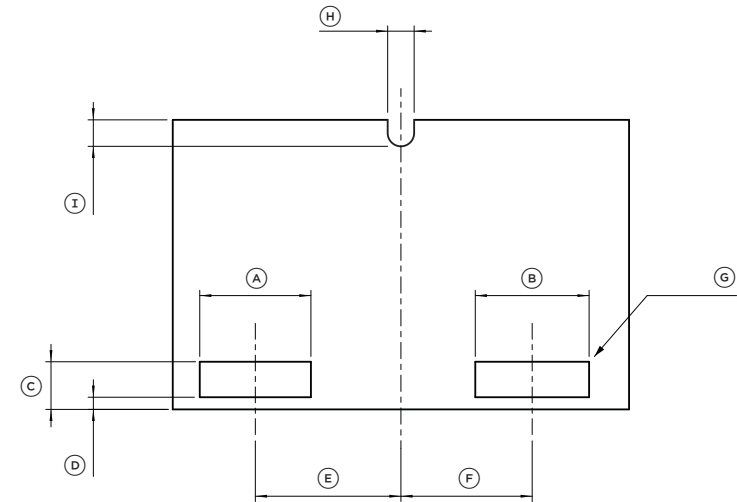


PLAN VIEW

CABINETY BASE PANEL DIMENSIONS	MM
Ⓐ Width of cutouts	215
Ⓑ Depth of cutouts	42
Ⓒ Centre of cutout to centre of cabinetry base panel	248
Ⓓ Distance from front of base panel to front of cutouts*	33
Ⓔ Corner radii of cutouts	max 15

\* Based on bridge trim panel thickness of 19mm

### FIXED SHELF



PLAN VIEW

FIXED SHELF DIMENSIONS	MM
Ⓐ Width of left hand cutout	210
Ⓑ Width of right hand cutout	215
Ⓒ Depth of cutouts front of fixed shelf to rear of cutout	90
Ⓓ Distance from front of fixed shelf to front of cutouts*	22
Ⓔ Centre of left hand cutout to centre of shelf	275
Ⓕ Centre of right hand cutout to centre of shelf	248
Ⓖ Corner radii of cutouts	max 15
Ⓗ Width of cutout for power cord	min 50
Ⓖ Depth of cutout for power cord	min 50

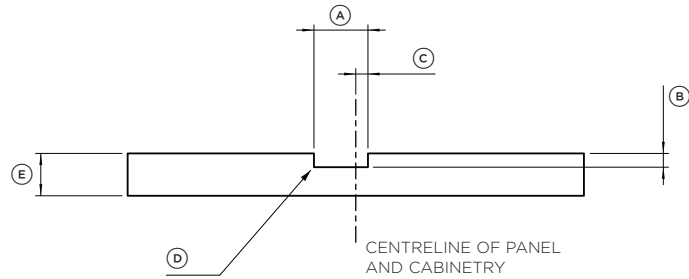
\* Based on bridge trim panel thickness of 19mm

## CABINERY DIMENSIONS

### BRIDGE TRIM

**IMPORTANT:**

- Cutout not central to panel and cabinetry.
- Bridge trim must be removable to allow servicing of AOA unit.

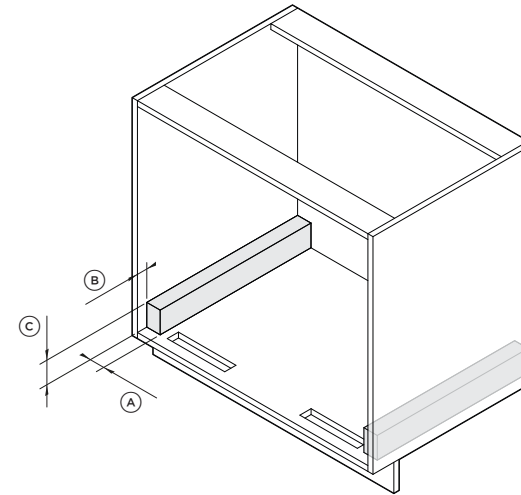


FRONT VIEW

BRIDGE TRIM PANEL DIMENSIONS	MM
Ⓐ Width of cutout	102
Ⓑ Height of cutout	26
Ⓒ Centre of cutout to centre of bridge trim panel	28
Ⓓ Corner radii of cutouts	max 5
Ⓔ Minimum height of bridge trim *	37

\* Based on minimum spacer height of 38mm. Allows for 1mm clearance to cabinetry. Panel must be removable for servicing.

### SPACERS



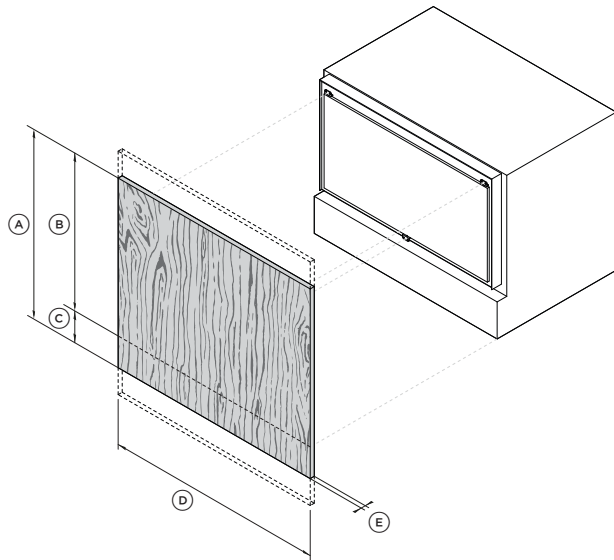
ISOMETRIC VIEW

SPACER DIMENSIONS	MM
Ⓐ Width of spacers	36-50
Ⓑ Setback of spacer from front of cabinet frame*	35
Ⓒ Height of spacer**	min 38

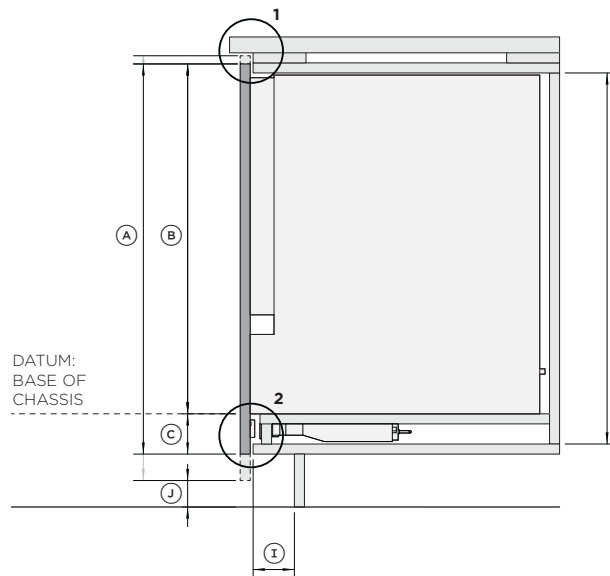
\* Based on bridge trim panel thickness of 19mm

\*\* Minimum height to fit Assisted Opening Unit.

## CUSTOM PANEL DIMENSIONS



ISOMETRIC VIEW



PROFILE VIEW

### DRAWER PANEL DIMENSIONS

	MM
Ⓐ Height of custom drawer panel *	min 737
Ⓑ Height from base of chassis to top of custom drawer panel *	min 661
Ⓒ Height from base of chassis to base of custom drawer panel *	min 76
Ⓓ Width of custom drawer panel	min 896
Ⓔ Depth of custom drawer panel	16 - 20
Maximum weight of drawer (including handle)	7 kg

\* Based on minimum internal cabinetry frame height of 701mm where 19mm panels have been used for construction. Refer to page 'Cabinetry Dimensions' for further details.

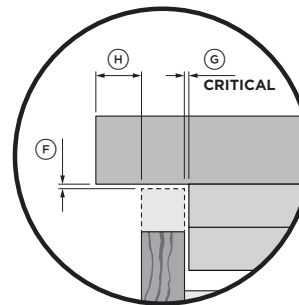
Custom drawer panel to be manufactured and fitted by cabinetmaker. These panels must be adequately sealed to withstand moisture (50°C @ 80% RH).

### CLEARANCE DIMENSIONS

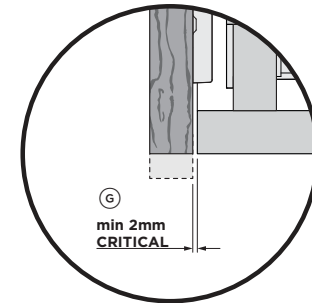
	MM
Ⓕ Clearance between top of custom drawer panel and underside of benchtop	min 2
Ⓖ Clearance between back of custom drawer panel to front of cabinetry carcass	min 2
Ⓗ Clearance between front end of benchtop to front surface of custom drawer panel	max 20
Ⓙ Depth from front of cabinetry carcass to front of kick strip*	min 78
Ⓚ Height for ventilation**	min 50

\* Minimum depth to ensure unobstructed airflow from outlet duct

\*\* Minimum height to ensure adequate airflow to prevent condensation build up on the floor.



DETAIL 1

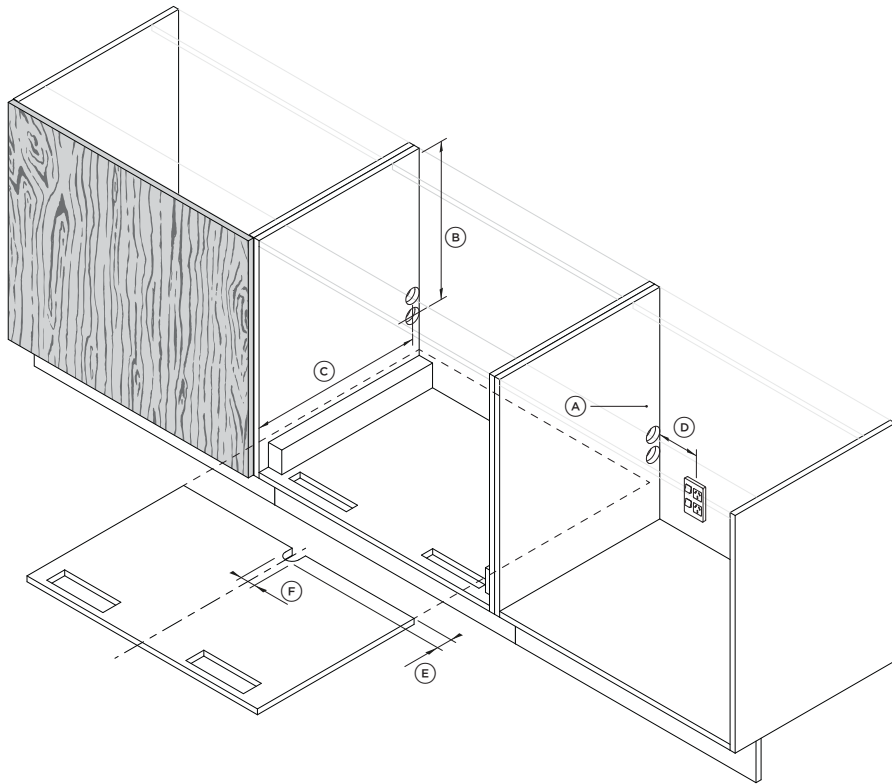


DETAIL 2

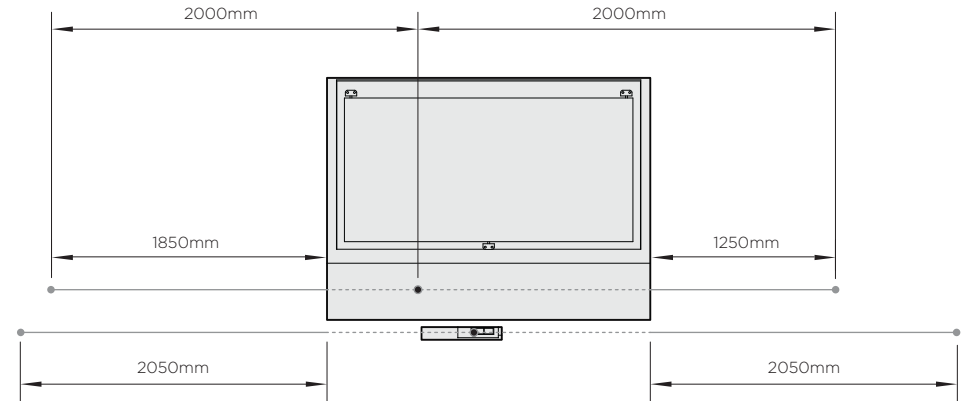
**CRITICAL GAP FOR ASSISTED OPENING TO FUNCTION**

## ELECTRICAL CONNECTION

Services can be located on either side of the CoolDrawer™ and Assisted Opening Accessory. Disconnect power to surrounding appliances before preparing the cavity.



SUPPLY DIMENSIONS	MM
Ⓐ Diameter of supply area cutout	Ø 50
Ⓑ Distance from top of cabinet cavity to centre of supply area cutout	max 515
Ⓒ Distance from front of cabinetry frame to centre of supply area cutout	min 535
Ⓓ Distance of supply area cutout to power outlet - left	max 1450
Ⓔ Distance of supply area cutout to power outlet - right (shown)	max 850
Ⓕ Depth of cutout in fixed shelf	50
Ⓖ Width of cutout in fixed shelf	50



### COOLDRAWER ELECTRICAL SPECIFICATIONS

Supply	230 V, 50 Hz
Service	10 amp circuit
Socket	3-pin earthing-type
Total length of power cord	2000mm
Power cord length exiting from left side of product	1850mm
Power cord length exiting from right side of product	1250mm

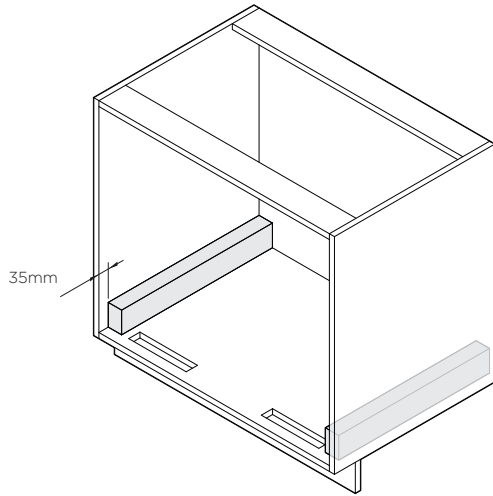
### ASSISTED OPENING ELECTRICAL SPECIFICATIONS

Supply	230 V, 50 Hz
Service	10 amp circuit
Socket	3-pin earthing-type
Total length of power cord	3000mm
Power cord length exiting from left or right side of cabinet	2050mm

# CABINET PREPARATION

## INSTALL SPACERS

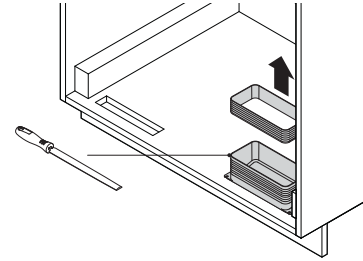
1



Secure spacers to either side of cabinet. Ensure there is 35mm\* clearance to front of cabinetry frame.

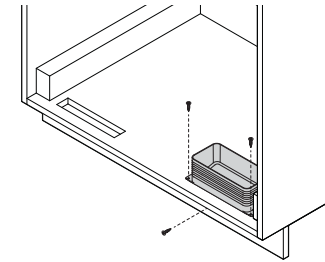
\*based on 19mm bridge trim panel

3



Smooth the sharp edges eg. with a file

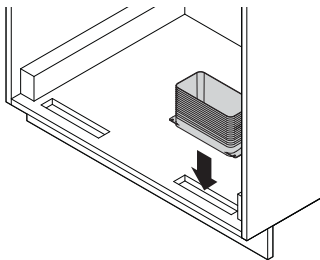
4



Secure the vent ducts by fixing with screws (3x).

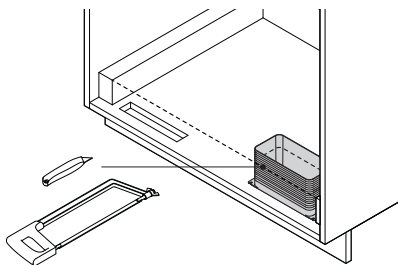
## ATTACH VENT DUCT

1



Locate the vent duct in the right hand slots in the cabinetry frame.

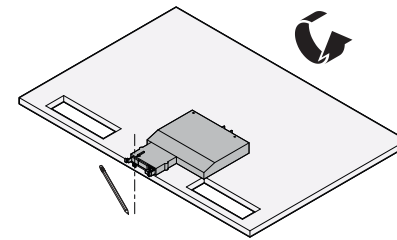
2



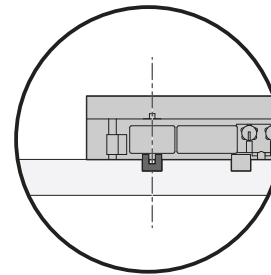
Cut the vent duct to be flush with the top of the spacers.

## ATTACH ASSISTED OPENING UNIT

1



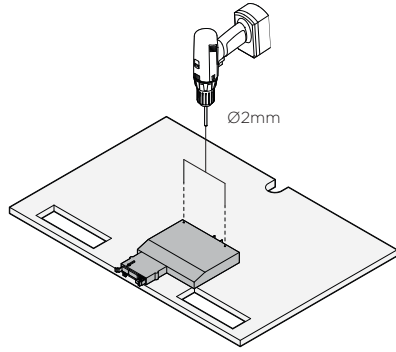
Rotate fixed shelf to be upside down. Measure and mark the centre of the shelf.



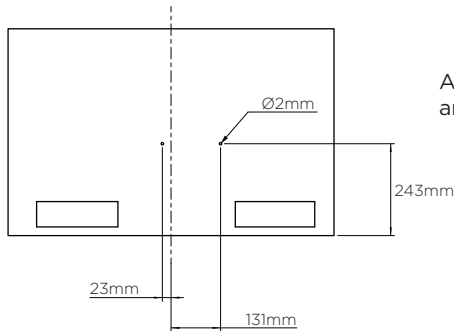
Align the accessory to the centre of the shelf.

## INSTALL ASSISTED OPENING ACCESSORY

2

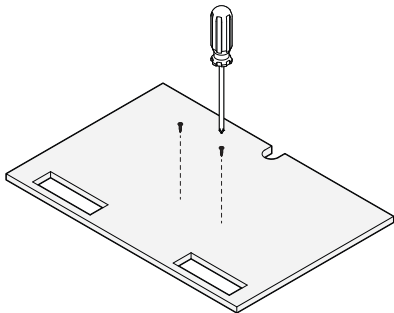


Locate holes at rear of AOA unit marked with drill symbol.  
Spot drill 2x Ø2mm pilot holes into the shelf using the marked holes as a guide.



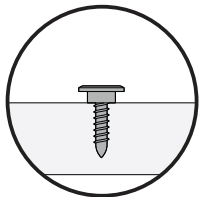
Alternately measure positions of holes and drill pilot holes.

3

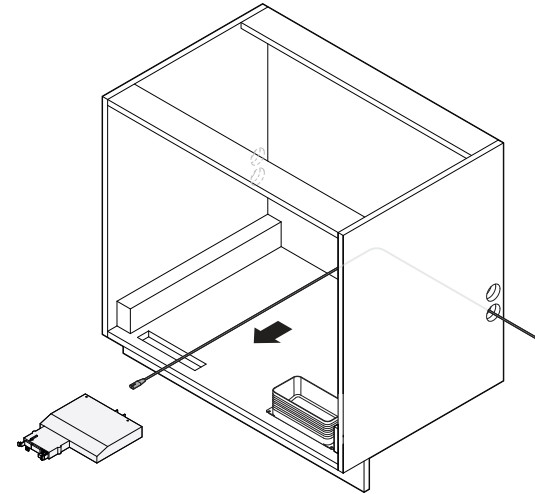


Remove accessory before securing 2 x shoulder screws through pilot holes.

Ensure shoulder is flush with shelf surface.

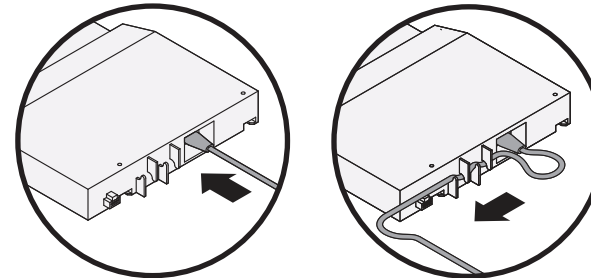


1



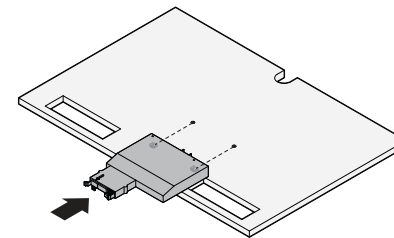
Route the accessory power cord from the rear of the cabinetry.

2



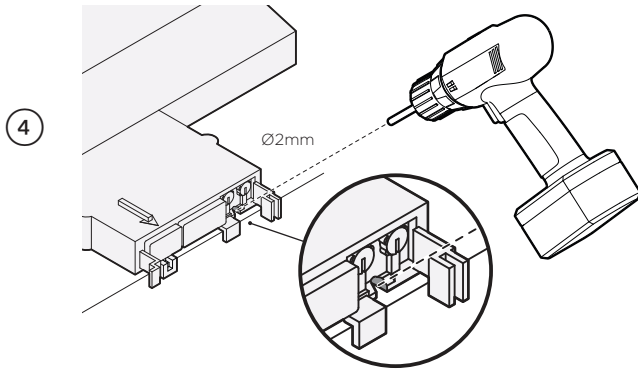
Connect power cord to accessory before routing the power cord through strain relief bracket.

3

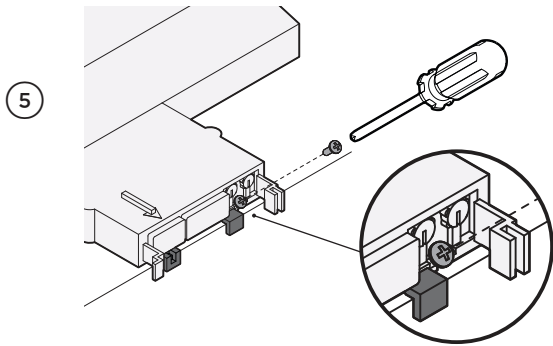


Slot the accessory onto the shoulder bolts and remove any excess slack in the power cord.

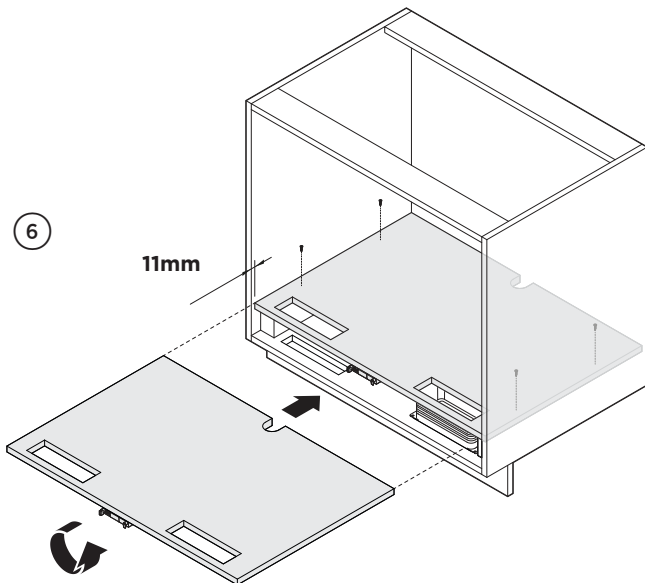
# CABINETY PREPARATION



Pre-drill Ø2mm pilot hole at a 45° angle using the accessory as a guide.



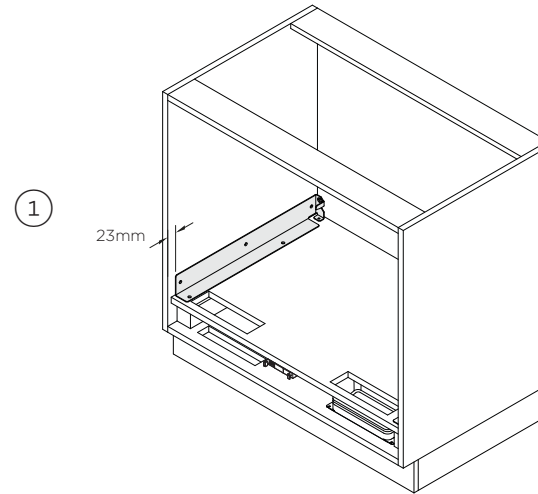
Snap off the lower locating tabs. Do not snap off side tabs as they are still required for installation. Fit the front screw through the pilot hole using a Phillips screwdriver.



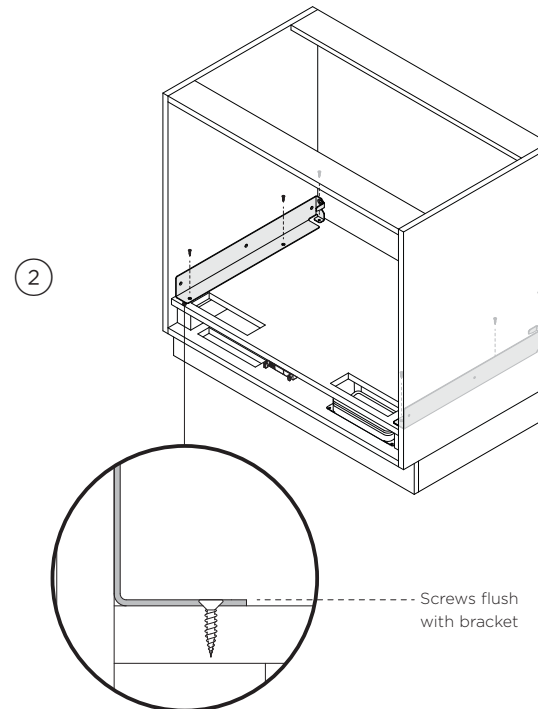
Rotate shelf to be facing upward, with AOA fixed below. Position shelf on top of spacers and remove any excess slack in the power cord. Ensure front edge is located 11mm from front edge of cabinetry carcass.

**CRITICAL - Secure shelf to spacers.**

## INSTALL BRACKETS



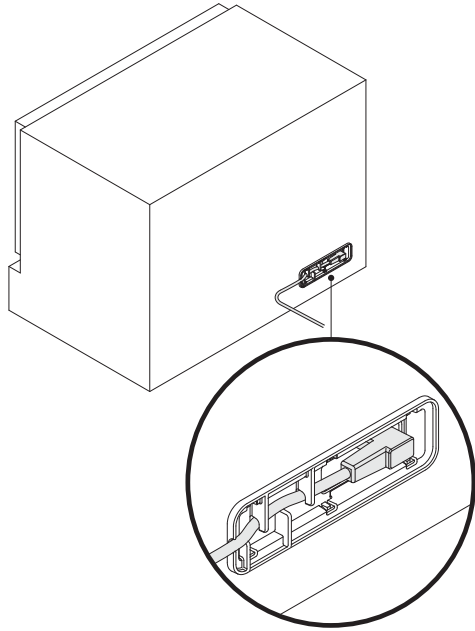
Locate the brackets to the top of the fixed shelf. Ensure there is 23mm clearance between the front of cabinetry frame and front of bracket.



Secure each bracket to the spacer with countersunk screws (6x).

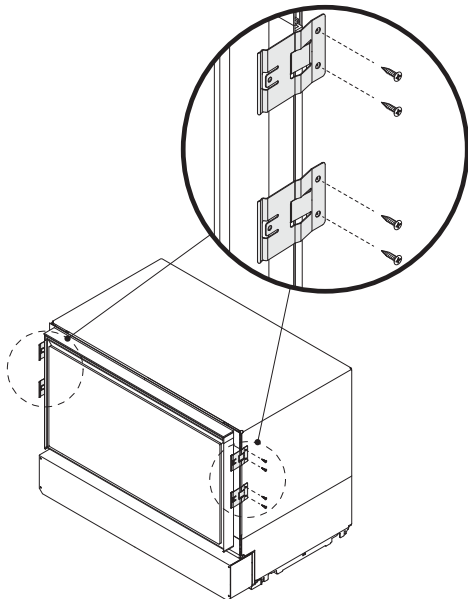
## ATTACH POWER CORD & TRIM BRACKETS

1



Connect the power plug to the back of the Cooldrawer™ and clip the cord in place.

2

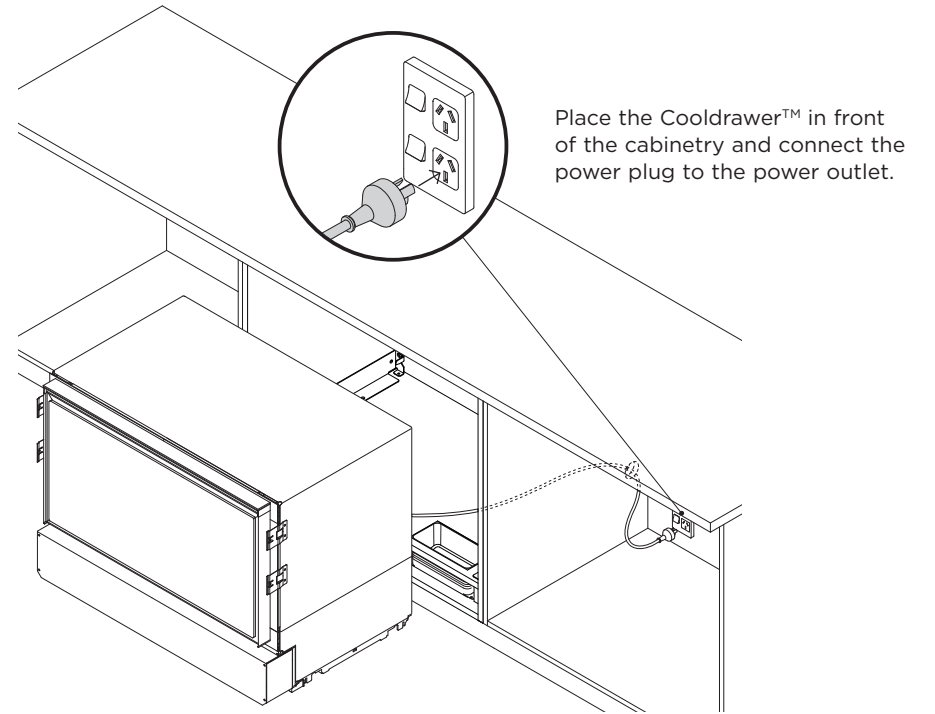


Align trim brackets with predrilled holes on side of cooldrawer chassis.

Secure the trim brackets with screws to the side of the Cooldrawer™ in the correct orientation.

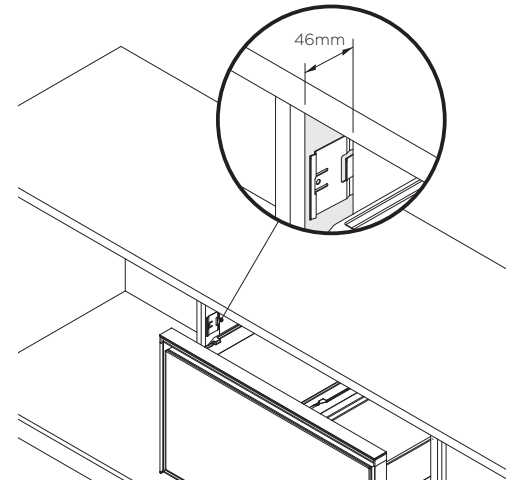
## POSITION PRODUCT INTO CABINERY

1



Place the Cooldrawer™ in front of the cabinetry and connect the power plug to the power outlet.

2



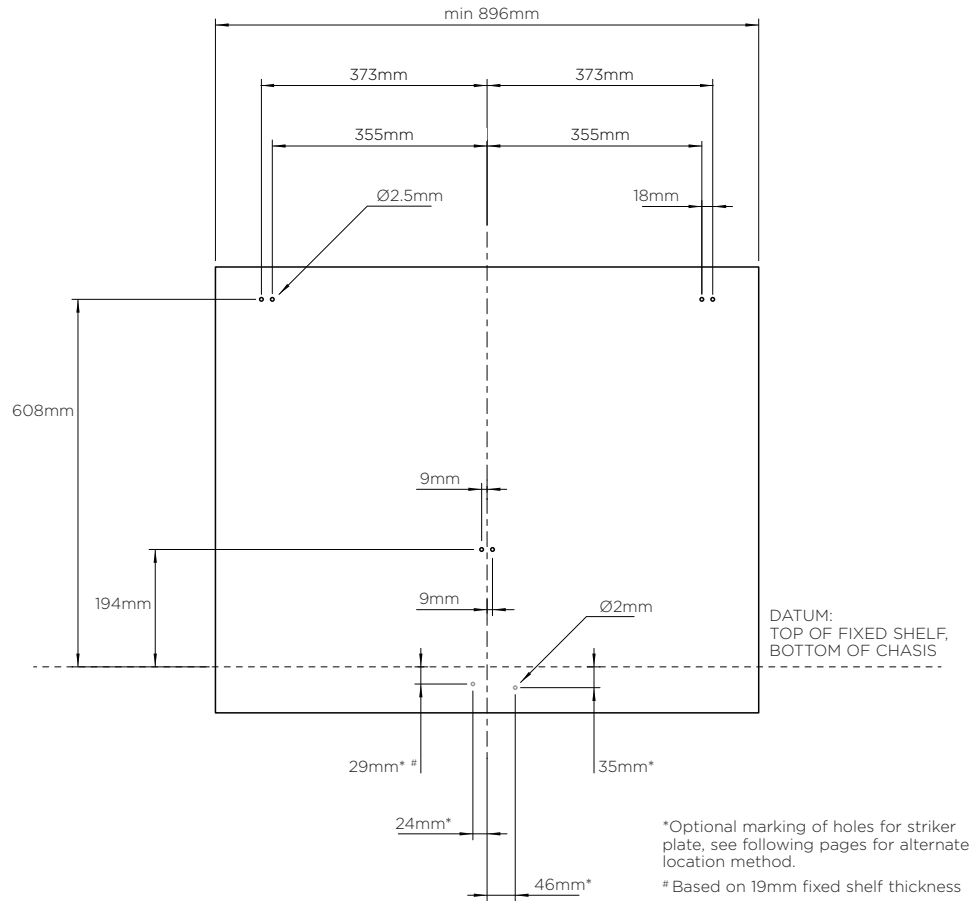
Slide the Cooldrawer™ into the cavity.

Do not screw in the trim brackets at this stage.

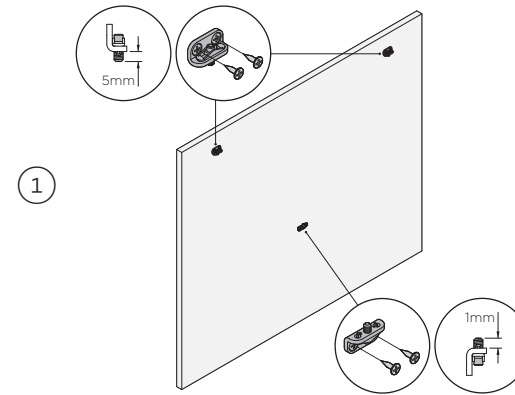
## PANEL PREPARATION

### CUSTOM PANEL

Refer to the dimensions below for the preparation of the Custom door panel when attaching the attachment hooks. On the rear of the panel predrill holes using a  $\text{Ø}2.5\text{mm}$  drillbit, ensure you do not drill all the way through the custom panel.



## ATTACH DRAWER PANEL

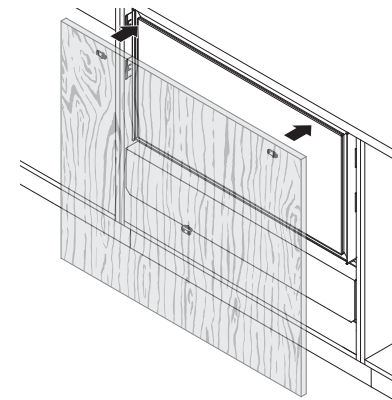


Locate the top attachment hooks (2x) in correct orientation to the predrilled holes at the back of drawer panel, and secure with screws. Tighten the locking screw of each hook to depth of 5mm.

1

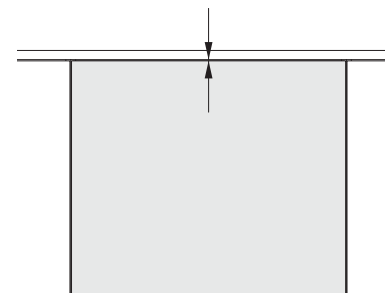
Locate the bottom attachment hook (1x) in correct orientation to the predrilled holes at bottom middle of the back of drawer panel, and secure with screw. Tighten the locking screw of the bottom attachment hook to depth of 1mm.

2



Hook the panel onto the drawer front channel.

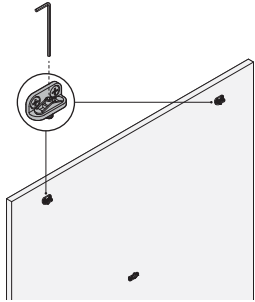
3



Close the drawer and check vertical clearances.

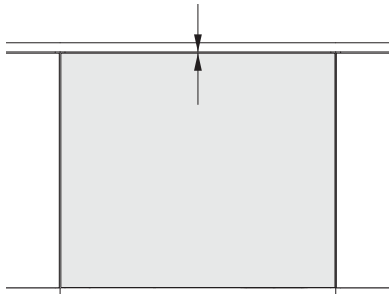
## ATTACH DRAWER PANEL

4



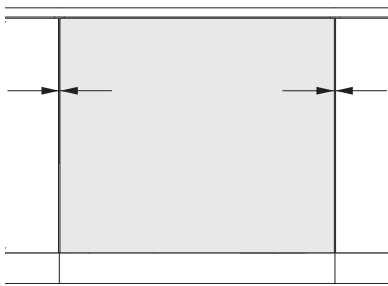
Remove the panel and adjust the top attachment hooks as necessary.

5



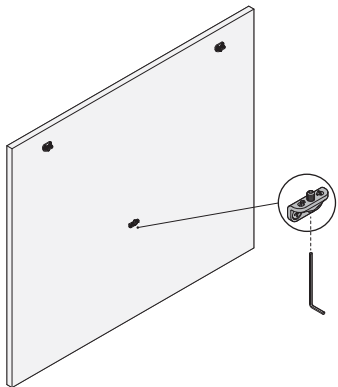
Replace the panel on the drawer and confirm vertical clearances.

6



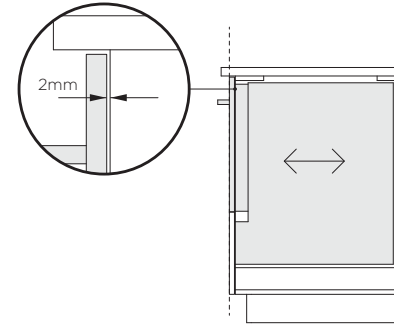
Slide the panel to achieve even horizontal clearances.

7



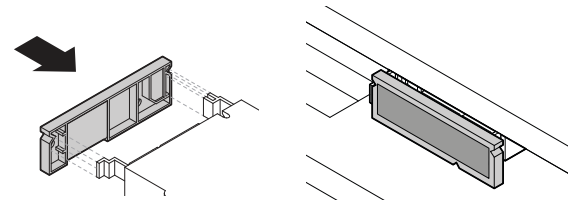
Open the drawer and clamp the panel onto the drawer by tightening the bottom attachment hook.

8



Close the drawer and ensure there is a 2mm clearance between the rear of the panel and cabinetry frame when the drawer is fully closed. If not, the product may have to be pulled back or forward.

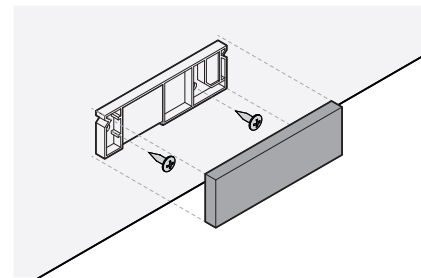
9



Remove the adhesive from the striker plate and clip onto the accessory. Ensure the V notch on striker plate aligns with arrow on the accessory

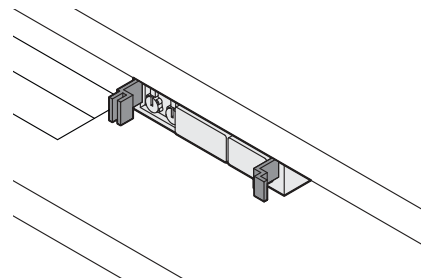
Close the door and apply pressure to secure striker plate to rear of door panel.

10



Open the door and fit 2 x screws to the striker plate. Clip striker plate cover into place.

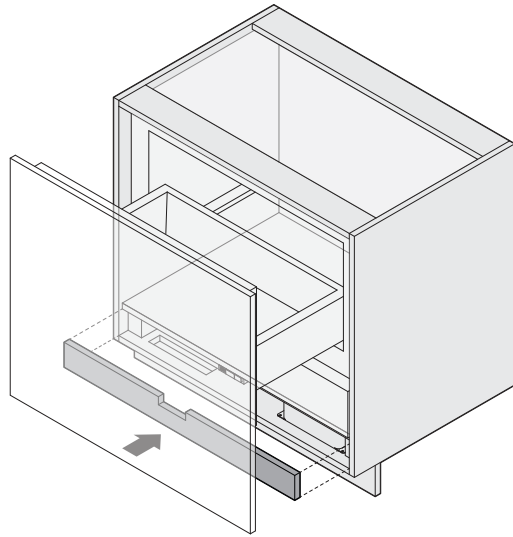
11



Snap off the remaining locating tabs. Adjust settings if required (refer page 22).

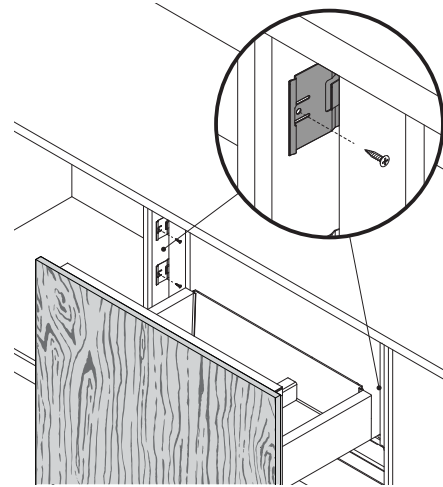
## ATTACH BRIDGE TRIM

12



With the drawer open place bridge trim panel. Secure with the ability to remove for servicing

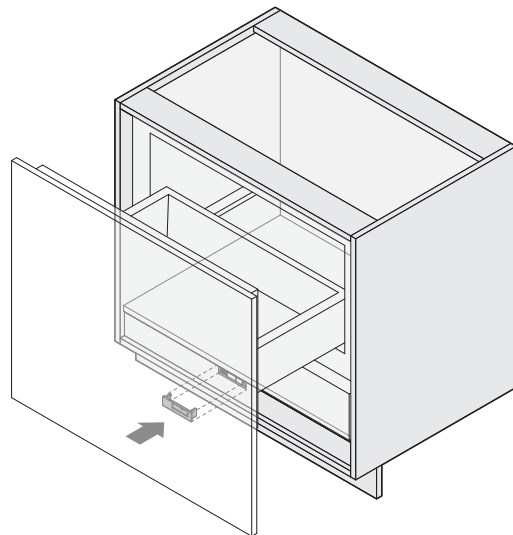
## SECURE PRODUCT TO CABINETRY



Ensure there is a 2mm clearance between the rear of the panel and cabinetry frame when the drawer is fully closed. Adjust if required.

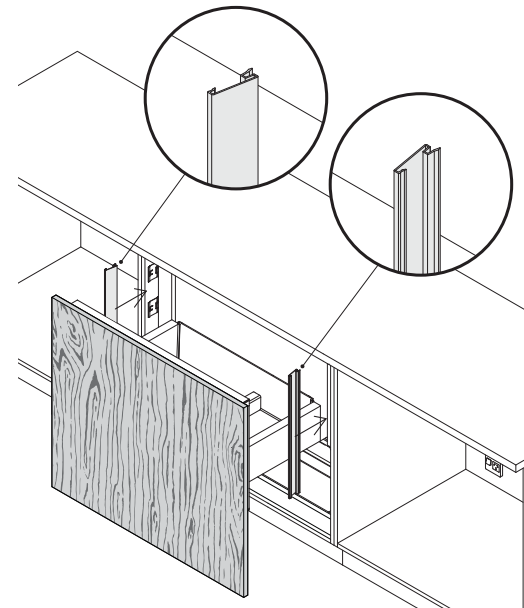
Open the drawer and secure the product to the cabinetry by securing the four trim brackets with screws.

## ATTACH LENS COVER



With the drawer open clip lens cover onto accessory unit.

## ATTACH SIDE TRIMS TO CABINETRY



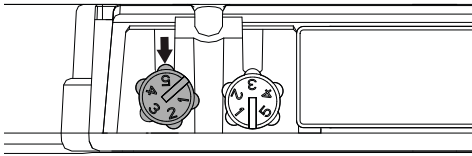
Install the side trims to the trim brackets in the correct orientation.

## TEST ASSISTED OPENING ACCESSORY

### ADJUST MODE

The **MODE** dial can be used to adjust the overall use settings of your Assisted Opening Accessory.

MODE	DESCRIPTION
1 - DEACTIVATED	Prevents the Assisted Opening Accessory from operating during installation. Your Accessory will not operate if left in this setting.
2 - SMALL OPENING	Sets the opening distance to its minimum.*
3 & 4 - LARGE OPENING	Sets the opening distance to its maximum.*
5 - DRAWER	Sets the opening distance to its maximum.* Recommended for all drawer installations.

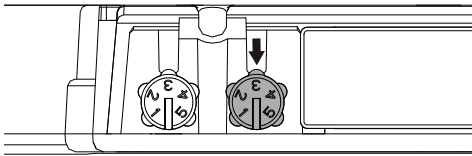


Rotate the dial using a flat-bladed screwdriver until the desired setting is selected.

### ADJUST SENSITIVITY

#### Sensitivity

The **SENSITIVITY** dial can be used to adjust the push/pull sensitivity of your Assisted Opening Accessory. The sensitivity cannot be adjusted on DishDrawer™ installations.

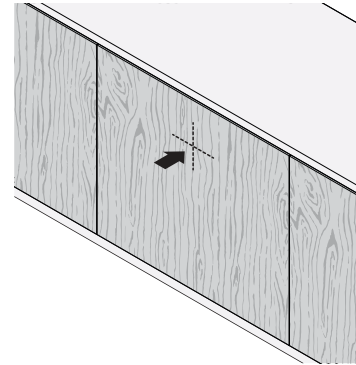


Rotate the dial using a flat-bladed screwdriver until the desired setting is selected.

Setting 1 is the least sensitive and 5 is the most sensitive.

\*Opening distance will vary depending on custom panel thickness and the position of the Assisted Opening Accessory in the cavity.

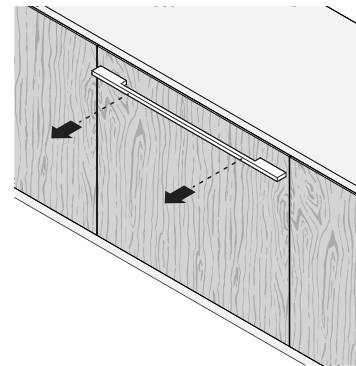
### TEST



#### Push door

Push the door to open slightly. The door will remain ajar for four seconds.

Pull door to open fully. If left ajar, the door will automatically close again after four seconds.



#### Push handle

If handles are fitted, gently push the handle then pull to open slightly. The door will remain ajar for four seconds.

Pull door to open fully. If left ajar, the door will automatically close again after four seconds.

## FINAL CHECKLIST

---

### ✓ TO BE COMPLETED BY THE INSTALLER

- Has all packaging been removed from the appliance?
- Is the appliance securely fastened to the cabinetry?
- Does the drawer slide freely and close properly?
- Has the outlet duct been installed correctly?
- Is the appliance level?
- Are the panels securely attached?
- Have the panels been properly aligned for correct operation and appearance? Are all clearances even?
- Is there a 2mm clearance between drawer panel and cabinetry frame?
- Has the power cord been plugged into a properly earthed 3-prong outlet, which has been installed in accordance with all applicable electrical codes?
- Is the control panel lit?
- Can you hear the compressor motor running?
- When a hand is placed near the toe kick, can airflow be felt under front right-hand side of appliance?
- Have you demonstrated the basic operation to the customer?
- Assisted Opening Accessory:** Ensure unit is installed correctly and has been adjusted as required. Refer to page 21.

---

Complete and keep for safe reference:

Model \_\_\_\_\_

Serial No. \_\_\_\_\_

Purchase Date \_\_\_\_\_

Purchaser \_\_\_\_\_

Dealer Address \_\_\_\_\_

Installer's Name \_\_\_\_\_

Installer's Signature \_\_\_\_\_

Installation Company \_\_\_\_\_

Installation Date \_\_\_\_\_

**FISHERPAYKEL.COM**

© Fisher & Paykel Appliances 2025. All rights reserved.

The models shown in this guide may not be available in all markets  
and are subject to change at any time.

The product specifications in this guide apply to the specific products and  
models described at the date of issue. Under our policy of continuous product  
improvement, these specifications may change at any time.

For current details about model and specification availability in your country,  
please go to our website or contact your local Fisher & Paykel dealer.

**431117B 07.25**